

INTRODUCTION

Please take a few minutes to read this manual carefully.

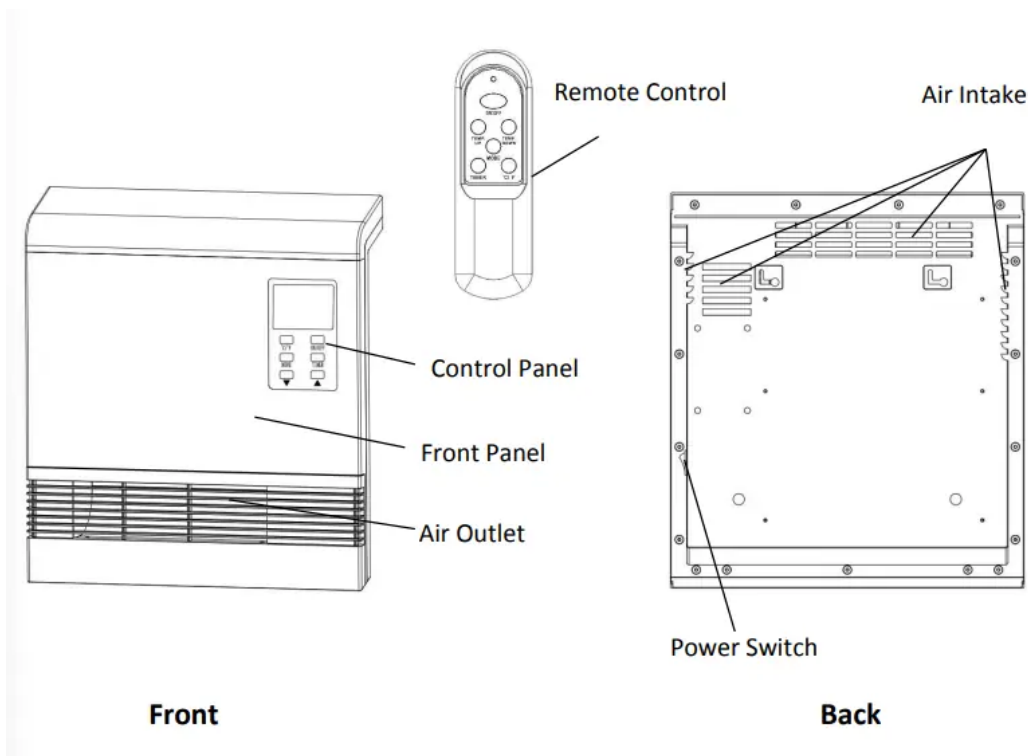
Proper maintenance and operation of this machine can provide better service.

WARNINGS

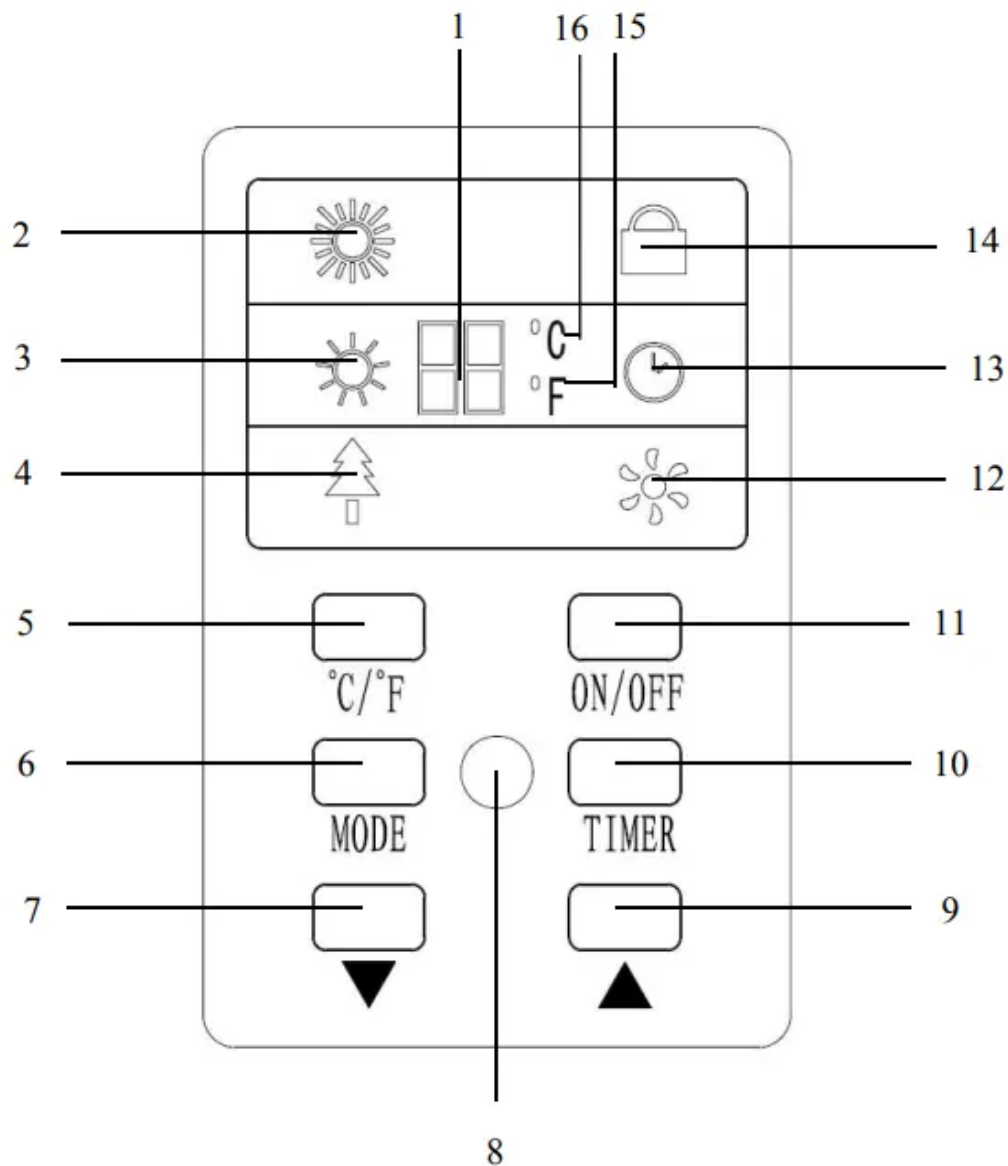
- Read ALL instructions before using this unit.
- **CAUTION:** Risk of Electric Shock. DO NOT open or try to repair the heater yourself.
- This heater may get hot when in use. To avoid burns, DO NOT let bare skin touch hot surfaces. If provided, use handles when moving this heater.
- Keep combustible materials, such as furniture, pillows, bedding, paper, clothes, and curtains at least 3ft from the front of the heater and keep them away from the sides, top, and rear. DO NOT place towels or other objects on the heater.
- Extreme caution is necessary when any heater is used by or near children or the disabled, or when the heater is left operating and unattended.
- DO NOT operate any heater with a damaged cord or after the heater malfunctions, has been dropped or damaged in any manner. Return heater to authorized service facility for examination, electrical or mechanical adjustment, or repair.
- To protect against electrical hazards, DO NOT immerse in water or other liquids.
- DO NOT touch the control panel or plug with a wet hand.
- DO NOT run cord under carpeting. DO NOT cover cord with throw rugs, runners, or similar coverings. Arrange cord away from traffic area and where it will not be tripped over.
- DO NOT insert or allow foreign objects to enter any ventilation or exhaust opening as this may cause an electric shock or fire, or damage the heater.
- To prevent a possible fire, DO NOT block the air intakes or exhaust in any manner. DO NOT use on soft surfaces, like a bed, where openings may become blocked.
- A heater has hot and arcing or sparking parts inside. DO NOT use in areas where gasoline, paint, explosive and/or flammable liquids are used or stored. Keep unit away from heated surfaces and open flames.
- Always plug heaters directly into a wall outlet/receptacle. Never use with an extension cord or relocatable power tap (outlet/power strip).
- To avoid fire or shock hazard, plug the unit directly into a 120 V AC electrical outlet.
- To disconnect heater, turn controls to OFF, then remove plug from outlet. Pull firmly on the plug, DO NOT unplug by pulling on the cord.

- Always unplug the unit before moving or cleaning, or whenever the heater is not in use.
- Use only for intended household use as described in this manual. Any other use not recommended by the manufacturer may cause fire, electric shock, or injury to persons. The use of attachments not recommended or sold by unauthorized dealers may cause hazards.
- Always use on a dry place.
- DO NOT use outdoors.
- **WARNING:** To reduce the risk of fire or electric shock, DO NOT use this unit with any solid-state speedcontrol device.
- DO NOT attempt to repair or adjust any electrical or mechanical functions on this unit. Doing so will void your warranty. The inside of the unit contains no user serviceable parts. Qualified personnel should perform all servicing only.
- Save these instructions.

PRODUCT DIAGRAM



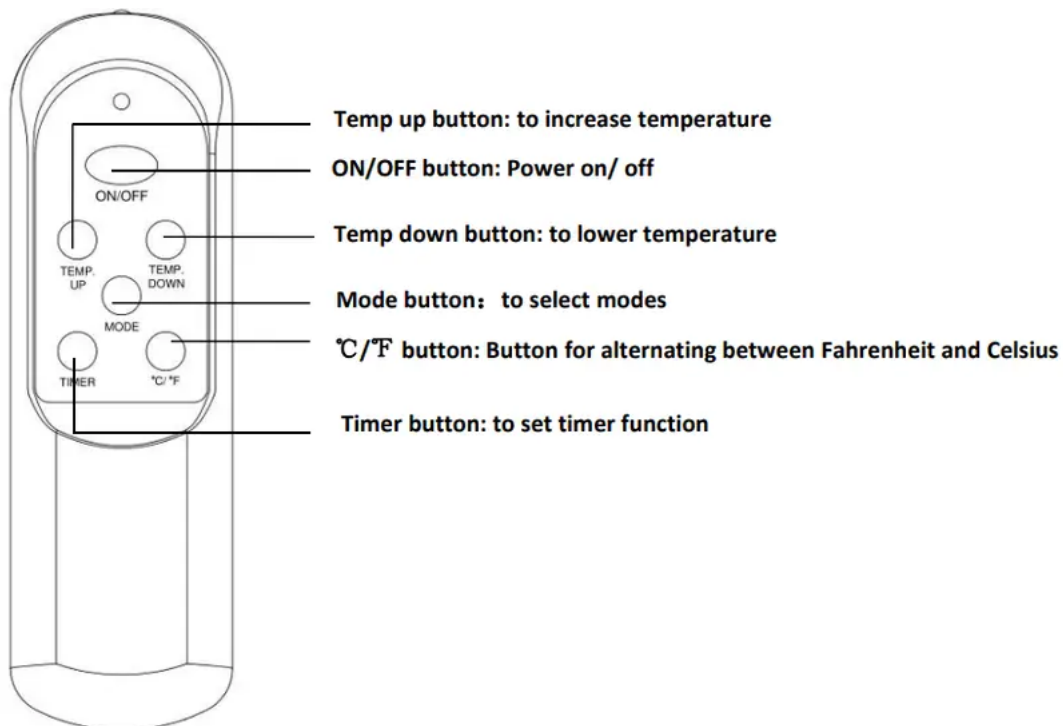
Control Panel



1. Digital display : Indicate temperature or time.
2. High Mode indicator light: Will be lit when High Heat mode is engaged..
3. Low Mode indicator light: Will be lit when Low Heat mode is engaged.
4. Energy-saving mode indicator: Will be lit when energy-saving mode is engaged.
5. °C/°FButton : Alternates between Fahrenheit and Celsius. 6. Mode button : To select among High, Low and Eco modes.
7. Temp down button: To decrease desired temperature.
8. Signal receiving window: For receiving remote control signal.
9. Temp up button: To increase desired temperature.
10. Timer button : Used to engage timer mode and to set timer function.

11. ON/OFF button: Powers the display on and off.
 12. Fan running lights : Will be lit when Fan running is engaged.
 13. Timer indication light : Will be lit when the Timer mode is engaged.
 14. Key lock indicator light : Will be lit when the key lock is open.
 15. Fahrenheit indicator light: Will be lit when temperature displayed is in Fahrenheit.
 16. Celsius indicator light: Will be lit when temperature displayed is in Celsius.
-

Remote Control



PREPARATION

Place the heater wall mounted and can be used in the living room or bedroom. It is plugged into the 120V60Hz power outlet. And turn on the power switch beside the unit.

Insert 2 AAA batteries into the remote control before using (Batteries Not Included)

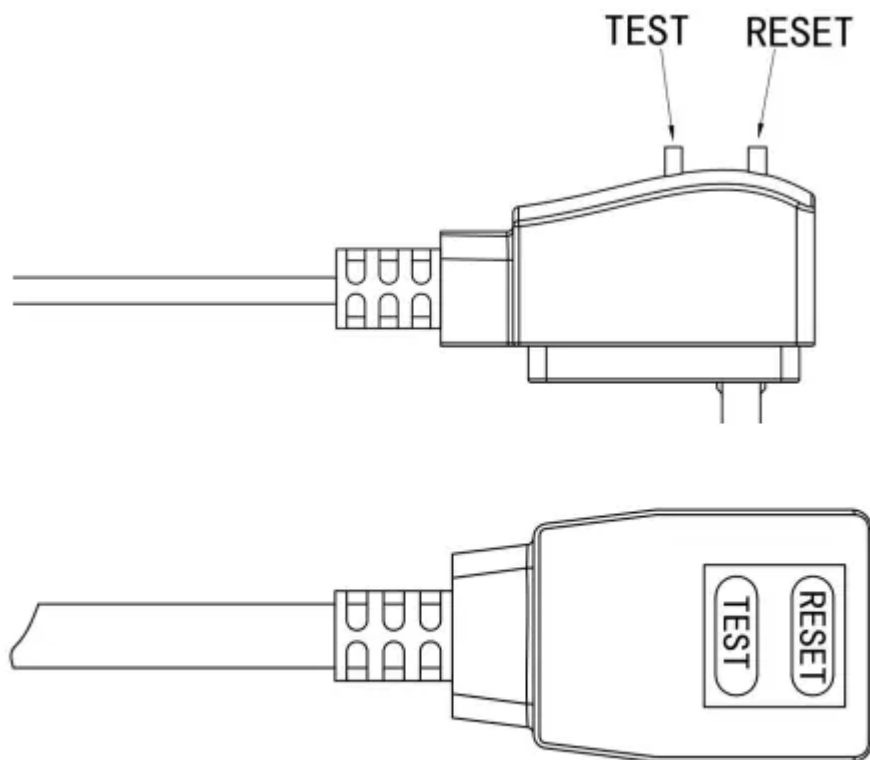
CHECK OUT ALCI SAFETY FEATURE EVERY TIME WHEN YOU USE HEATER

This heater is equipped with an Appliance Leakage Circuit Interrupter(ALCI),a safety feature that renders it inoperable under some abnormal conditions, such as immersion in water.

Leakage protection plug operating instructions

- Insert the plug in the socket, the “Reset” button is in pop-up position.

- Press power switch, the indicator light stays off , which indicates that there is no current output in plug.
- Then press the “Reset” button, the indicator light turns on, which indicates that there is current output in plug.
- Now you should start the following experiment:
- Press “Test” button, the power will be cut off immediately because there is leakage current simulated in the plug. At the same time, “Reset” button pops up and indicator light goes off, which means that the leakage protection function of the plug is effective.
- Then press “Reset” button, the heater can be used normally after the indicator light is on.
- Please test as bellow steps every time before you start using



Caution:

- 1.It is strictly forbidden to dismantle the ALCI by your own.
- 2.It is strictly forbidden to spray water on the ALCI.

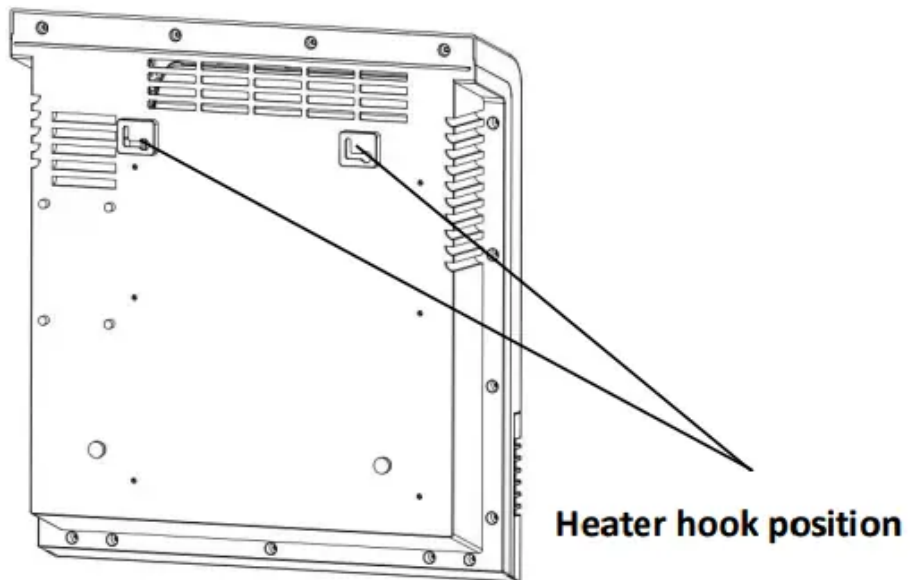
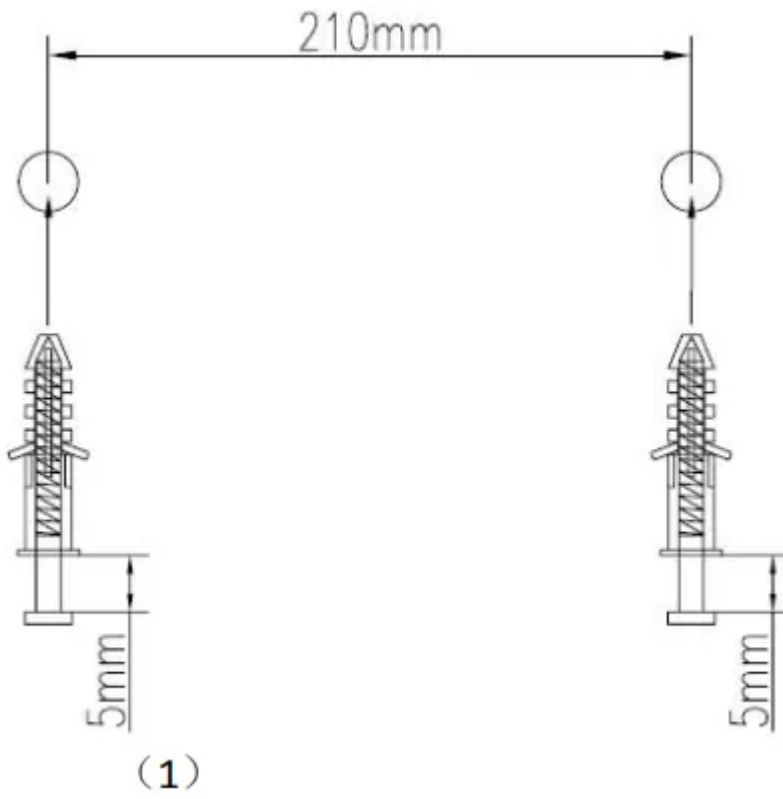
INSTALLATION INSTRUCTION

Wall MOUNTING INSTALLATION

Warning: Check the wall to ensure there is no wiring, pipe wires etc in the area to be drilled.

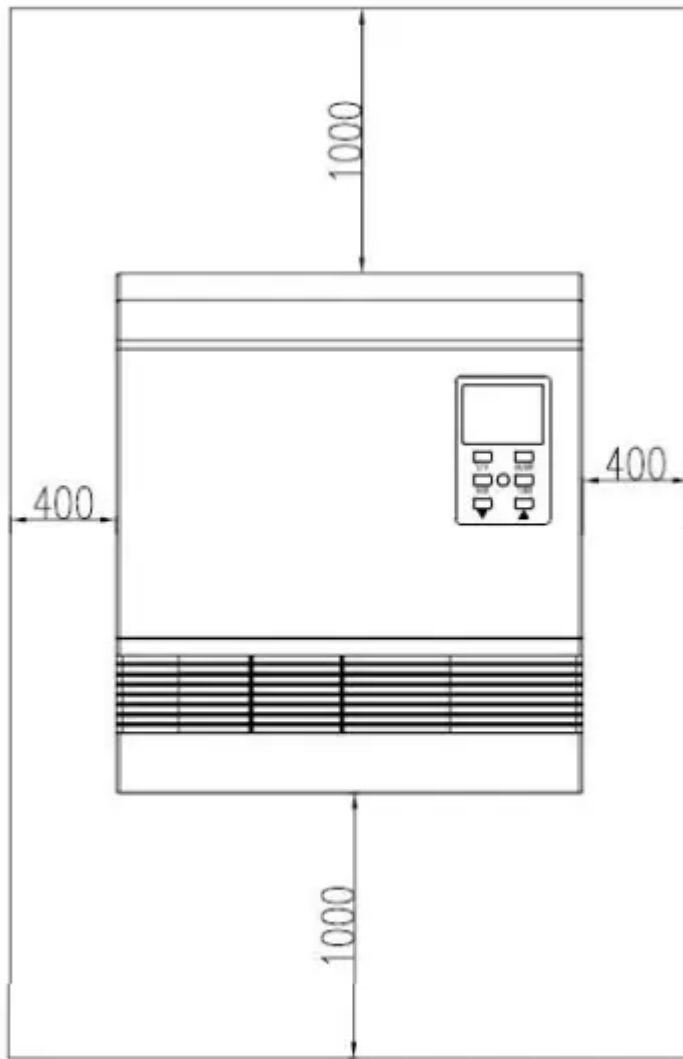
Warning: Do not plug in before wall mounting.

Note : The heater cannot be fixed on hollow wall. The heater must be mounted on firm wall.



(2)



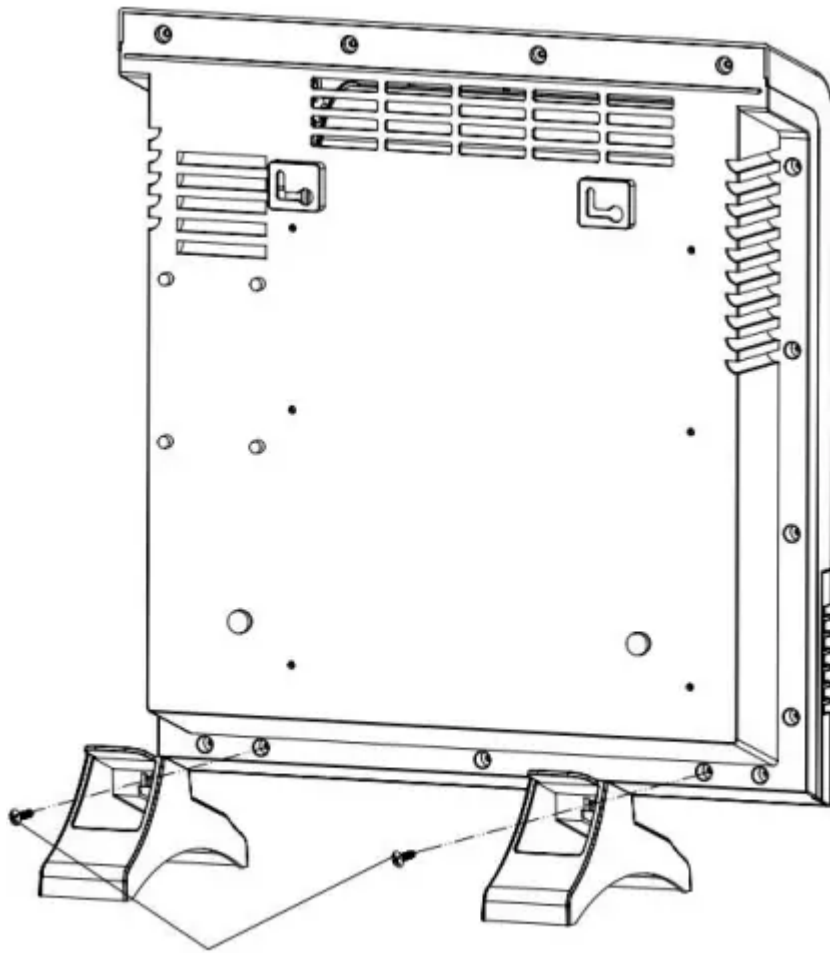


(3)

- 1、 Using the 45mm screws and wall plugs supplied fit the Upper Brackets,as illustrated above.
- 2、 Hook the heater into position.
- 3、 If the heater is wall mounted it must be at least 1000mm off the ceiling to provide enough air intake. If the heater is wall mounted it must be at least 1000mm off the floor to avoid overheat at the ceiling.

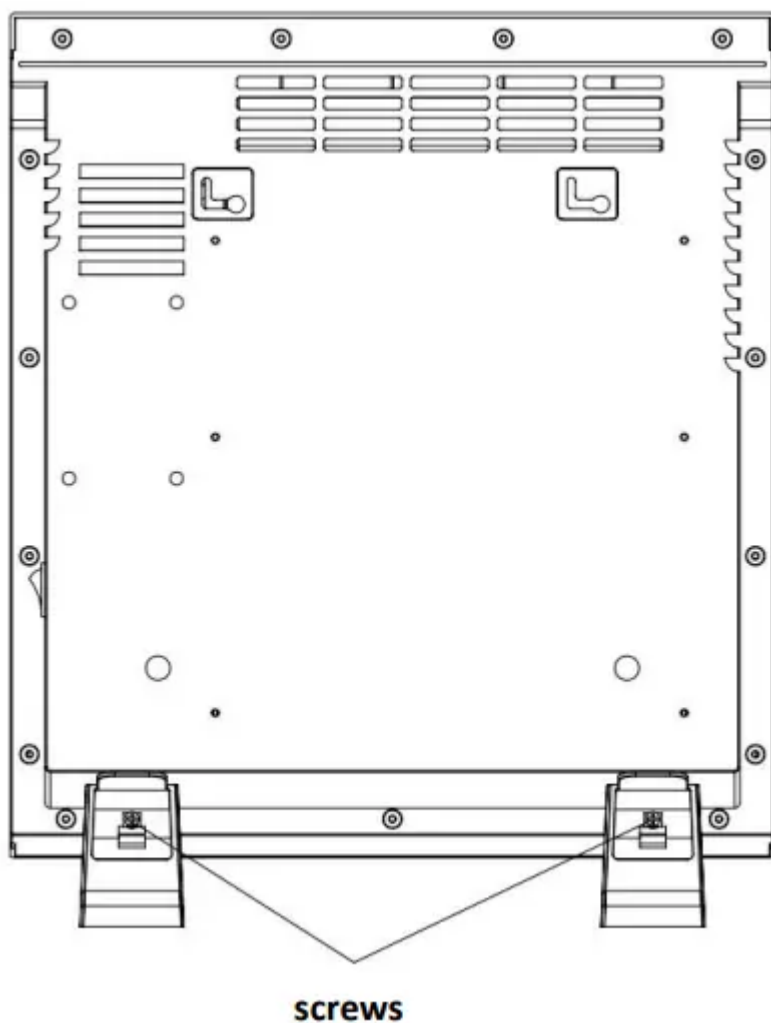
TABLETOP INSTALLATION

(Preparation: Two stand feet and Two 4*25 screws).



screws





Fix the standing leg on the products by using the two 4*25mm screws, as shown in the figure above.

Warning: If you choose freestanding use, you don't need to fix the wall hanging holder on the wall.

OPERATING INSTRUCTION

1、 Start and select working mode

	<p>Turn the heater on by pressing the ON/OFF button on the control panel or by pressing the Power button on the supplied remote control.</p> <p>Once power is off, heating element will stop working at first. Fan will prolong working for 3 min to emit plenty of heat inside. This mark will indicate running during the 3 min.</p>
	<p>Select a heat Mode</p> <p>Press the MODE button to toggle between the three heat modes</p>

2、 Setting Desired Temperature

	<p>Adjust the desired temperature by pressing the Up/Down arrows on the control panel or remote control.</p>
	<p>Press °C/°F button to change the display temperature between Fahrenheit and Celsius.</p>

3、 Setting the POWER OFF TIMER Function

►Note: The Power-Off-Timer Function will allow for the heater to power OFF after a certain set time, and can only be set while the heater's display is in the "On" position.

	<p>Turn the heater to the "On" position .Press the Timer button on the heater's control panel or the remote.</p>
--	--

4、 Setting the POWER-ON-TIMER Function

(Note: The Power-ON-Timer Function will allow for the heater to power ON after a certain set time, and can only be set while the heater's display is in the "Off" position.

	<p>Turn the heater to the "On" position. Press the Timer button on the heater's control panel or the remote.</p>
--	--

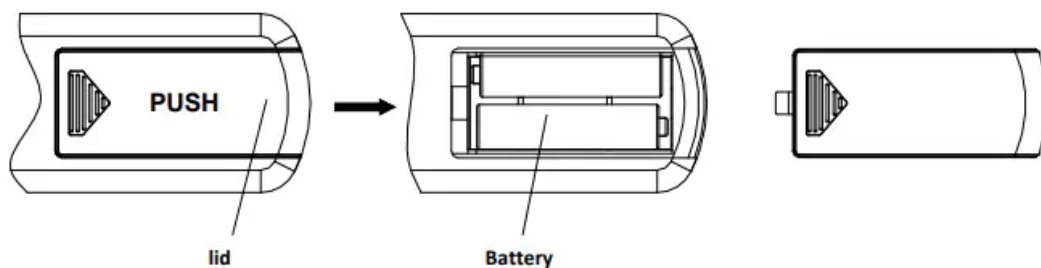
5、 Setting electro lock

The Electro Lock can help avoid the heater from being accidentally engaged by children. The locking mechanism can be set in both the ON and OFF modes.

	Press Temp Up and Temp Down buttons at the same time for 3 seconds. Locking is complete when you hear a beep. When locked, the functions of the control panel and remote will be locked for use.
	When you need to unlock it, press Temp Up and Temp Down buttons at the same time for 3 seconds. You will hear a beep. The control panel and remote control will become functional again.

MAINTENANCE

1. Turn off the power switch in the rear of the unit.
2. Unplug the unit and let it cool completely.
3. To keep the heater clean, the outer shell may be cleaned with a soft, damp cloth. You may use mild detergent if necessary. After cleaning, dry the unit with a soft cloth. **CAUTION: DO NOT** let liquid enter the heater.
4. **DO NOT** use alcohol, gasoline, abrasive powders, furniture polish, or rough brushes to clean the heater. This may cause damage or deterioration to the surface of the heater.
5. **DO NOT** immerse the heater in water.
6. Wait until the unit is completely dry before use.
7. If you do not use the heater for a long time, please take out the remote batteries (to prevent corrosion) as shown below. Store the remote in a safe place.



TROUBLESHOOTING

If the heater will not operate, please check the following before seeking repair advice:

1. Check if the power cord is plugged into an electrical outlet, if not, plug in.
2. Check if electricity to the main power switch (in the beside) is working.
3. Check to see if the battery on the remote is placed correctly, undamaged.

NOTE: For the heater to function properly, the desired temperature on the heater must be set a few degrees higher than the temperature in the room. If it seems to not be heating, increase the desired temperature on the heater to engage the heat elements.

STORAGE

Store the heater in a cool, dry location when not in use. To prevent dust and dirt build-up, use the original packaging to repack the unit.

SPECIFICATION

Voltage Rating	120 V (60Hz)
Power Consumption	1500W
Unit Size	17.3 in. (W) × 7.7 in. (D) × 20.9 in. (H)
Unit Weight	11.3 lbs

SAFETY FEATURES

Overheat Safety Feature

This heater is equipped with an overheat safety feature. When the heater's internal components reach a certain temperature that could cause overheating and possibly fire, the heater will automatically shut off.

PRODUCT OPERATION METHOD

1. Wall-mounted
 2. Free-standing
-

IN THE BOX

INFRARED ZONE HEATING SYSTEM

REMOTE CONTROL (2 AAA batteries not included)

INSTRUCTION BOOKLET

Two 4* 45mm Screw

Two Wall Plug

Two stand feet

Two 4* 25mm Screw

Warning

This content is compiled from multiple sources and is provided for reference purposes only. It may not be complete or fully applicable to all situations. If you are unable to resolve your issue, please contact the product manufacturer or an authorized service provider for official support.

Document generated by [ManualsFile](#)

