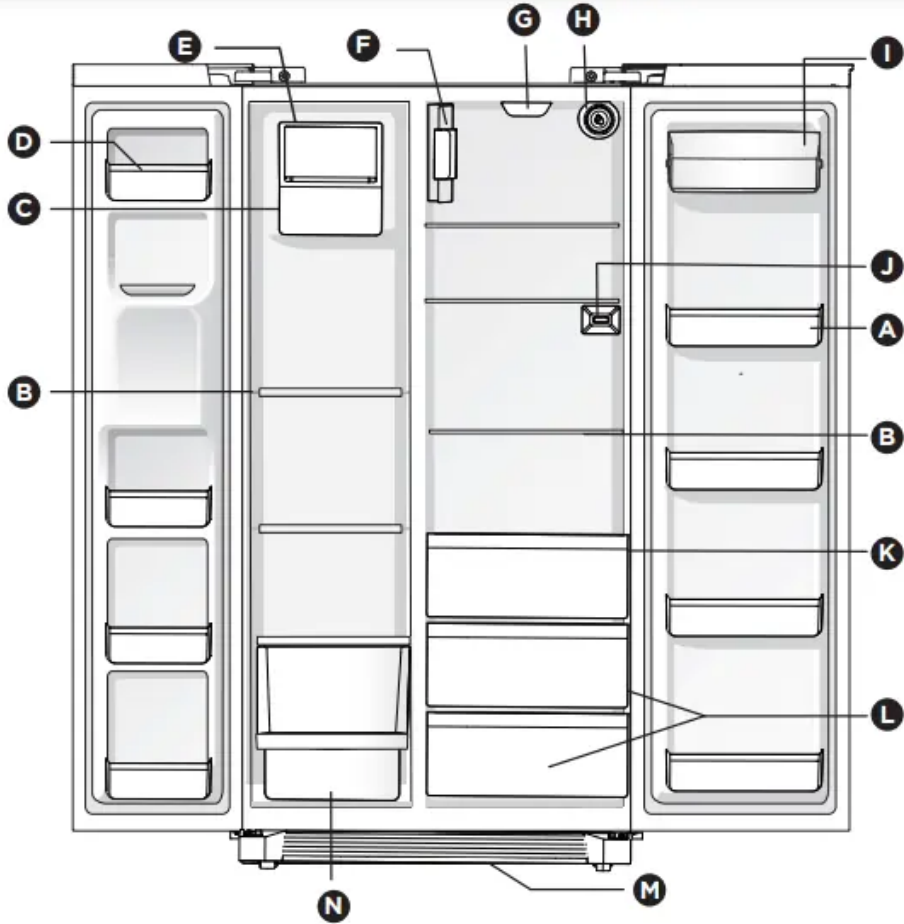


FEATURES

*Features may vary according to model



A	Adjustable Door Bins
B	Shelves
C	Ice Container
D	Fixed Door Bins
E	Ice Maker
F	Damper/Air filter housing
G	Refrigerator LED Light Cover

H	Water Filter
I	Dairy Compartment
J	Temperature Sensor/Thermistor
K	Deli Drawer (some models)
L	Crisper Pan
M	Toe Grille
N	Slide Out Basket

INSTALLATION

Location

- Choose a place that is near a grounded electrical outlet. Do Not use an extension cord or an adapter plug.

- If possible, place the unit out of direct sunlight and away from the range, dishwasher or other heat sources.
- Install the appliance on a floor that is level and strong enough to support a fully loaded unit.
- Consider water supply availability for models equipped with an automatic ice maker. If you do not hook up water to the appliance, remember to turn the ice maker of

Toe Grille Installation and Removal

To install toe grille

1. Open both doors. Slide the left and right sides of the toe grille over the lower hinges of the appliance.
2. While pushing the toe grille firmly against cabinet, fasten the bottom clips of toe grille to the cabinet.
3. Fasten the top clips to the cabinet.
4. Close the doors. Fasten the right and left side clips into the groove of the bottom hinge



To remove the toe grille

1. With both doors closed, unfasten the right and left side clips of toe grille from the bottom hinge groove.
2. Open both doors. Press firmly on the top of the toe grille until the top of the toe grille pops off.
3. Pull the toe grille outward toward your body and off of the lower hinges.



- Guidelines for final positioning of your unit:
- Rest all 4 corners of the cabinet firmly on the floor.

- Level the cabinet at the front and rear.
- Tilt the sides ¼" (6 mm) from front to back (to ensure the doors close and seal properly).
- Align the doors with each other and level

Door Opening

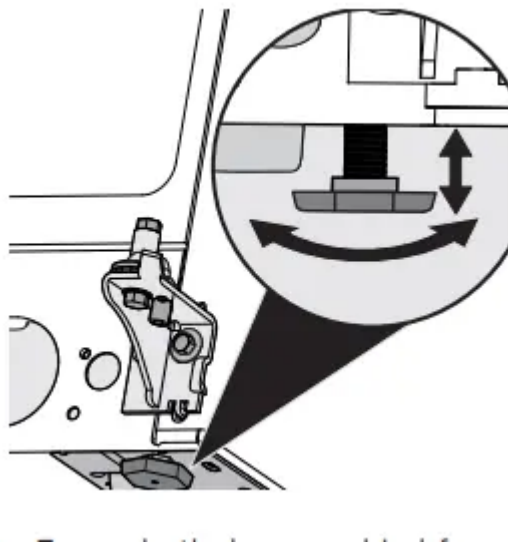
NOTE: The doors are designed to shut by themselves within a 20 degree opening

Position your unit to allow easy access to a counter or table when removing food. For the best use of drawers and freezer baskets, position the appliance where both doors can fully open.

Meet all of these conditions by raising or lowering the adjustable front rollers.

To level the cabinet using the front rollers:

1. Open both doors and remove the toe grille (see "Toe Grille Installation and Removal" in the INSTALLATION section).
2. Close the doors and use a wrench to raise (clockwise) or lower (counterclockwise) the front rollers.

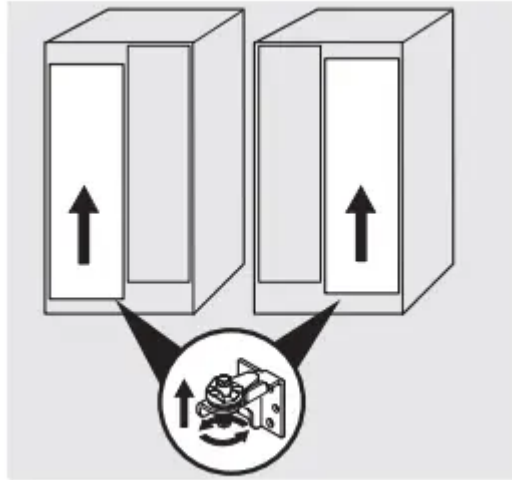


3. Ensure both doors are bind-free with their seals touching the cabinet on all 4 sides.

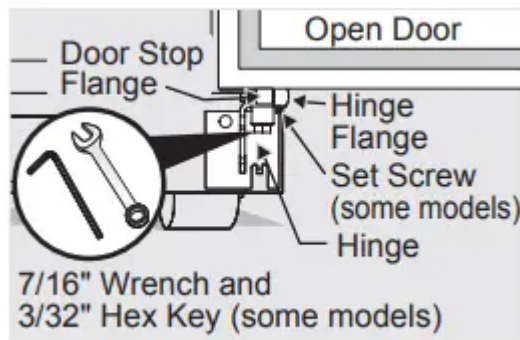
To level the doors using the adjustable lower hinge:

1. Before leveling either door, remove the set screw that locks the door height into position. (The door cannot be adjusted without the set screw removed).
2. If the refrigerator door is lower than the freezer door, raise the refrigerator door by turning the adjustment screw counterclockwise using a 7 wrench. (See illustration.)

3. If the freezer door is lower than the refrigerator door, raise the freezer door by turning the adjustment screw counterclockwise using a 7 wrench. (See illustration.)



4. After leveling, verify the door stop contacts the lower hinge and the top of the door does not contact the upper hinge through full movement of the door (from fully closed to fully open).

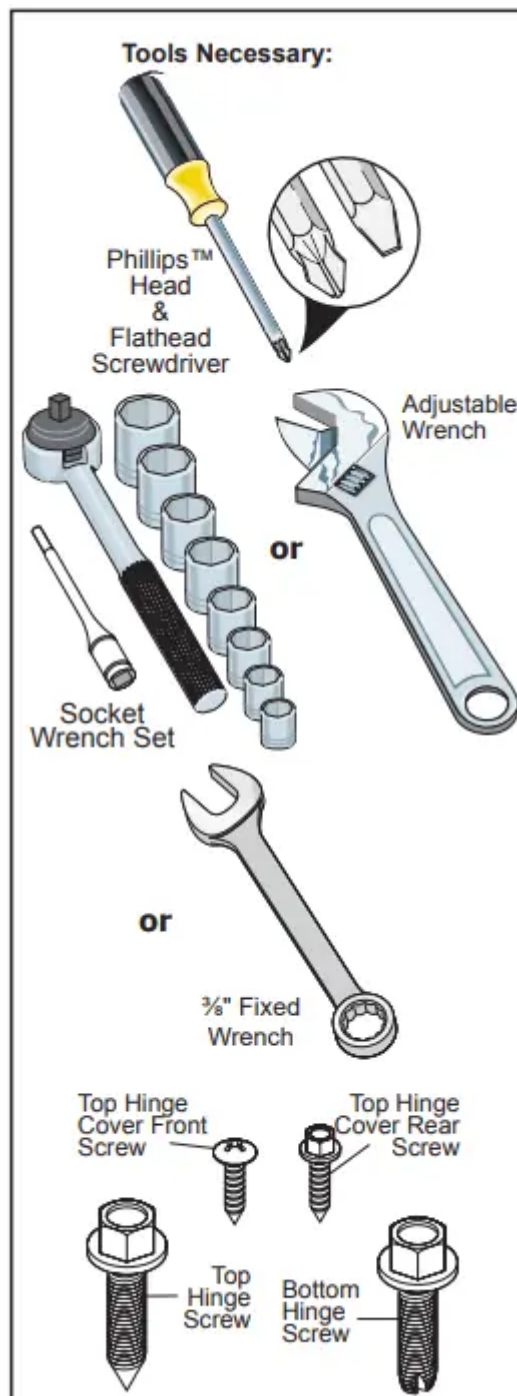


5. Reinstall the set screw, locking the door height.

6. Replace the toe grille by fitting it into place (see "Toe Grille Installation and Removal" in the INSTALLATION section).



DOOR REMOVAL

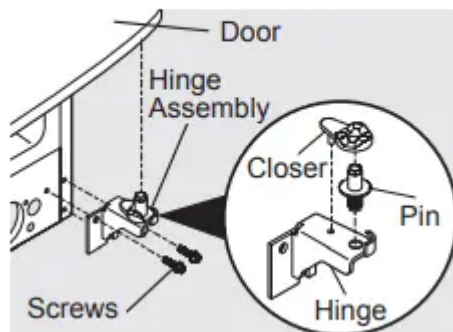
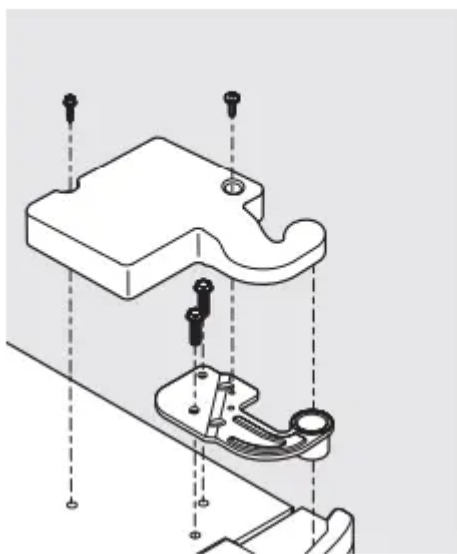


To prepare for removing the doors:

1. Make sure the electrical power cord is unplugged from the wall outlet.
2. Open both doors and remove the toe grille (as explained in the Installation Instructions that came with your appliance).
3. Remove any food from the door shelves.
4. Close the doors.

To remove the refrigerator top hinge/cover:

1. Remove the 2 screws from the cover over the top door hinge.
2. Lift hinge cover straight up and off.
3. Trace lightly around the door's top hinge with a pencil. This makes reinstallation easier.
4. Remove the 2 screws from the top hinge and lift the hinge straight up. Lift the door off of the bottom hinge and set it aside.
5. Remove the 2 bottom hinge screws and hinge if necessary



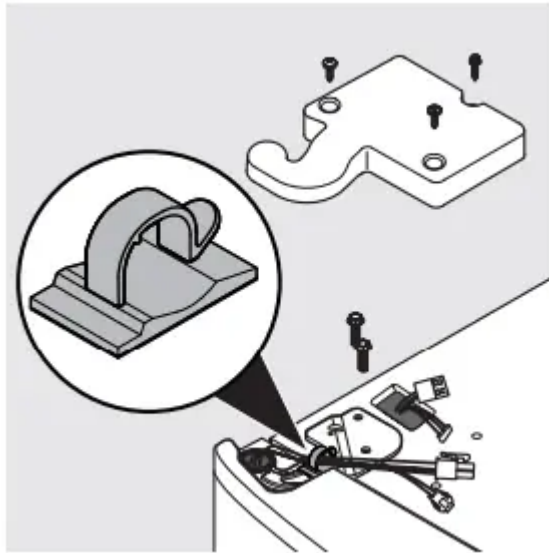
Adjustable Hinge

To reinstall the refrigerator door, reverse the above steps.

To remove the freezer top hinge cover:

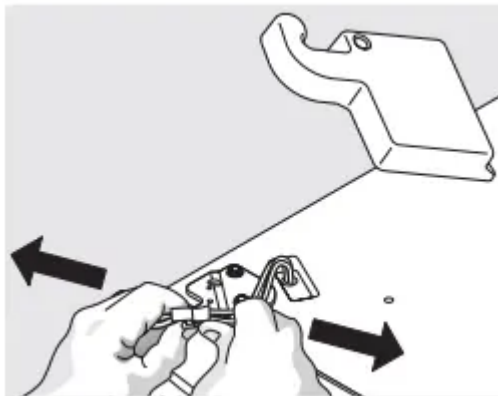
1. Remove the 2 screws from the cover over the top door hinge.
2. Lift hinge cover straight up and off.



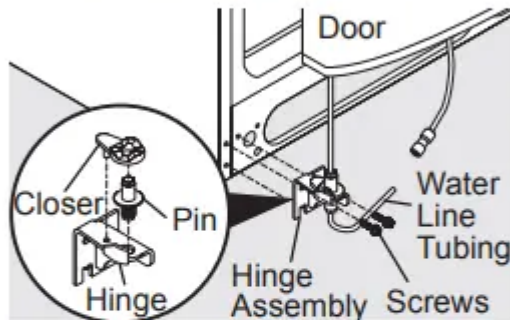
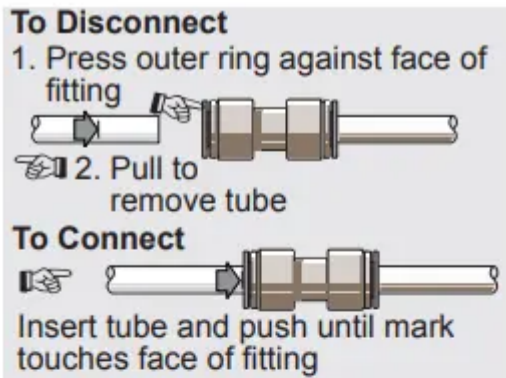


To remove the freezer door:

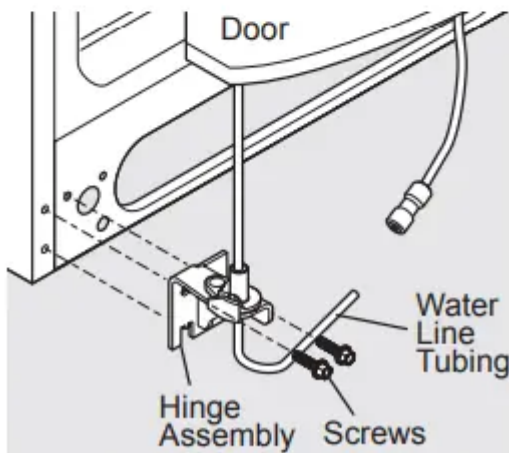
1. Release the wires from the routing clip.
2. Disconnect the 2 multi-wire cable connectors located above the top hinge. Grasp both sides of the connector firmly, press the connector lock and pull apart. Remove the ground screw.



3. Trace lightly around the hinge with a pencil. This makes reinstallation easier.
4. Detach the water tube from the connector located below the freezer door. The connector releases when you press its outer sleeve inward.



Adjustable Hinge (some models)



Non-Adjusting Hinge (some models)

5. Remove the 2 screws from the top hinge and lift the hinge straight up, pulling the 2 multi-wire cables through it. Lift the door off of the bottom hinge.
6. Remove the 2 bottom hinge screws and hinge if necessary.
7. Lay the door on its side to avoid damage to the water tube extending from the bottom hinge.

To reinstall the freezer door, reverse the above steps.

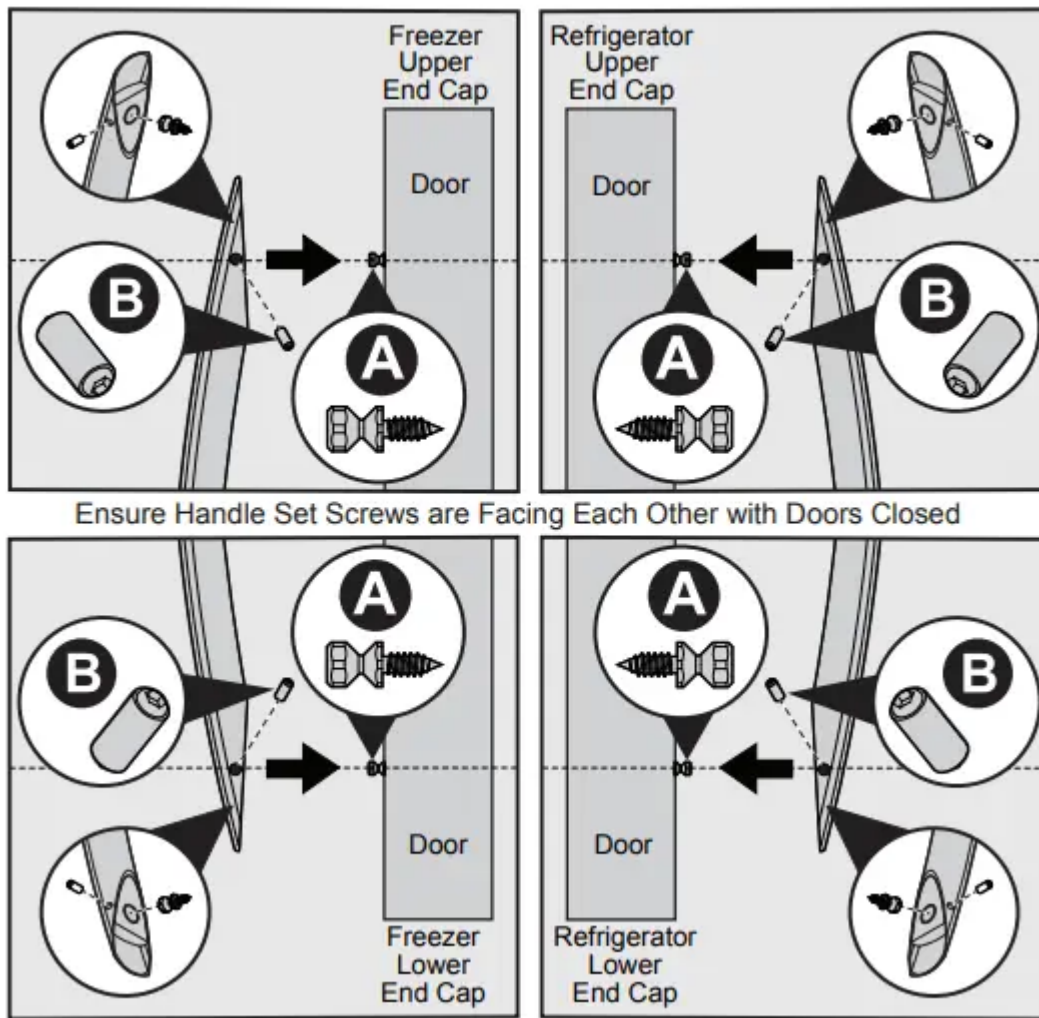
DOOR HANDLE INSTALLATION

CAUTION: Wear gloves and safety goggles and use extreme CAUTION when installing these handles. The rounded end of the handles may be sharp (some models)

IMPORTANT: To ensure proper installation of handles, please review these instructions and illustrations thoroughly prior to installing the handles.

1. Remove handles from carton and any other protective packaging.
2. Position the freezer handle end caps over the upper and lower pre-installed shoulder bolts (A) that are fastened into door, ensuring the holes for the set screws are facing toward the refrigerator door.
3. While holding the handle firmly against door, fasten the upper and lower Allen set screws (B) with the supplied Allen wrench.
4. Repeat steps 2 and 3 to install refrigerator handle. Ensure the holes for the set screws are facing towards the freezer door.

NOTE: Tighten and sub-flush all set screws (place the Allen set screw just below the surface of the end cap) of the handle end cap. Draw the end caps tight to the freezer and refrigerator doors with no gaps. To avoid scratching the metal door, keep the door open while torquing down the set screws.



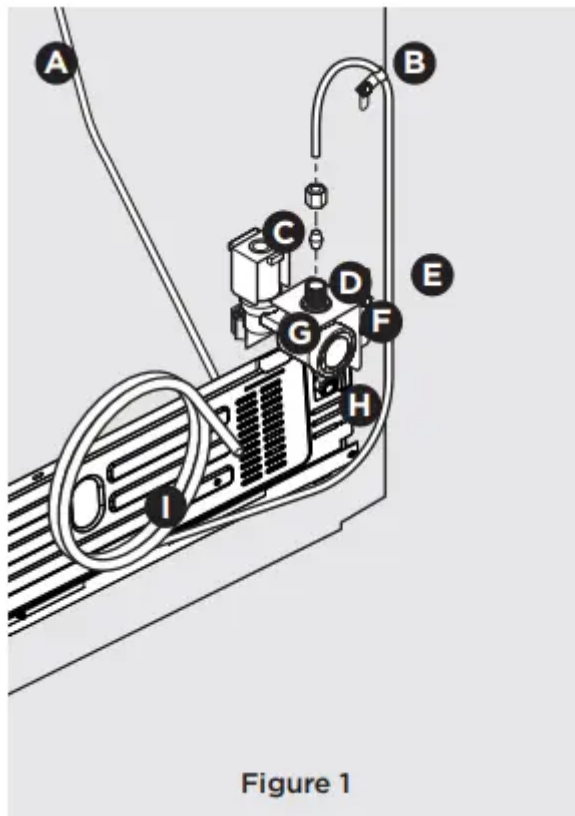
WATER SUPPLY CONNECTION

Before Installing The Water Supply Line, You Will Need:

- Basic Tools: adjustable wrench, flat-blade screwdriver, and Phillips™ screwdriver
- Access to a household cold water line with water pressure between 30 and 100 psi.
- A water supply line made of ¼" (6.4 mm) OD, copper or stainless steel tubing. To determine the length of tubing needed, measure the distance from the ice maker inlet valve at the back of the refrigerator to your cold water pipe. Then add approximately 7' (2.1 m), so the refrigerator can be moved out for cleaning.
- A shutoff valve to connect the water supply line to your household water system. DO NOT use a self-piercing type shutoff valve.
- Do not reuse compression fitting or use thread seal tape.
- A compression nut and ferrule (sleeve) for connecting a copper water supply line to the ice maker inlet valve.

To Connect Water Supply Line To Ice Maker Inlet Valve

1. Disconnect the refrigerator from electrical power source.
2. Place the end of the water supply line into a sink or bucket. Turn ON the water supply and flush the supply line until the water is clear. Turn OFF the water supply at the shutoff valve.
3. Remove the plastic cap from the water valve inlet and discard the cap.
4. **If you use copper tubing** - Slide the brass compression nut, and then the ferrule (sleeve) onto the water supply line. Push the water supply line into the water valve inlet as far as it will go ($\frac{1}{4}$ "/6.4 mm). Slide the ferrule (sleeve) into the valve inlet and finger tighten the compression nut onto the valve. Tighten another half turn with a wrench; DO NOT overtighten.



If you use braided flexible stainless steel tubing - The nut is already assembled on the tubing. Slide the nut onto the valve inlet and finger tighten the nut onto valve. Tighten another half turn with a wrench; DO NOT overtighten.

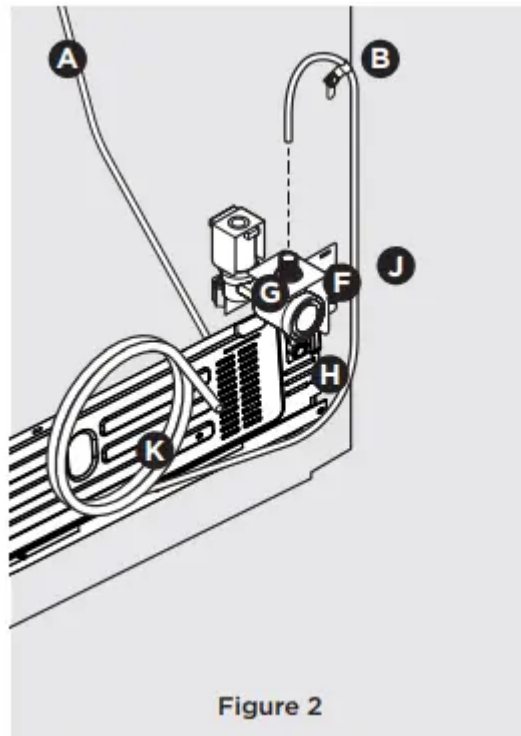


Figure 2

A	Plastic Water Tubing to Ice Maker Fill Tube
B	Steel Clamp
C	Brass Compression Nut
D	Ferrule (Sleeve)
E	Copper Water Line
F	Water Valve Bracket
G	Valve Inlet
H	Water Valve
I	Copper Water Line from Household Water Supply*
J	Braided Flexible Stainless Steel Water Line
K	6 ft. (1.8 m) Braided Flexible Stainless Steel Water Line from Household Water Supply*
*Include enough tubing in the loop to allow moving the refrigerator out for cleaning	

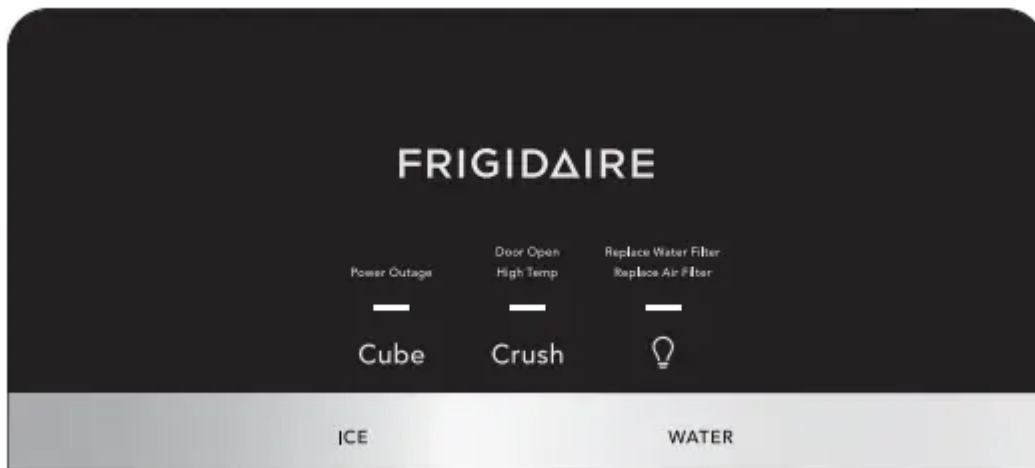
5. With the steel clamp and screw, secure the water supply line (copper tubing only) to the rear panel of refrigerator as shown.

6. Coil the excess water supply line (copper tubing only), about 2½ turns, behind refrigerator as shown and arrange coils so they do not vibrate or wear against any other surface.

7. Turn ON the water supply at shutoff valve and tighten any connections that leak.
8. Reconnect the refrigerator to electrical power source.



CONTROLS AND SETTINGS

Front of Door User Interface



Cube - Press the Cube button to get cubed ice. A white LED light will indicate the mode is selected. Press glass against the ice dispensing paddle as far up as possible to catch all the ice.

Crush - Press the Crush button to get crushed ice. A white LED light will indicate the mode is selected. Press glass against the ice dispensing paddle as far up as possible to catch all the ice.

Light  - Press the light button  to turn on the dispenser light. A white LED light will indicate the dispenser light is on. Press again to turn the light off.

Water - To operate the water dispenser, press a glass against the Water dispensing paddle. To stop dispensing water, pull the glass away from the dispensing paddle. Dispensed water is not cold. For colder water, add crushed ice or cubes before dispensing water.

Water Filter Status - When you need to order a new water filter, the side door UI will change to the Order status. When you need to replace the water filter, the Side Door UI will change to the red replace status and the front UI will display Replace Water Filter. After you change the filter, hold the Water Filter button for 3 seconds to reset.

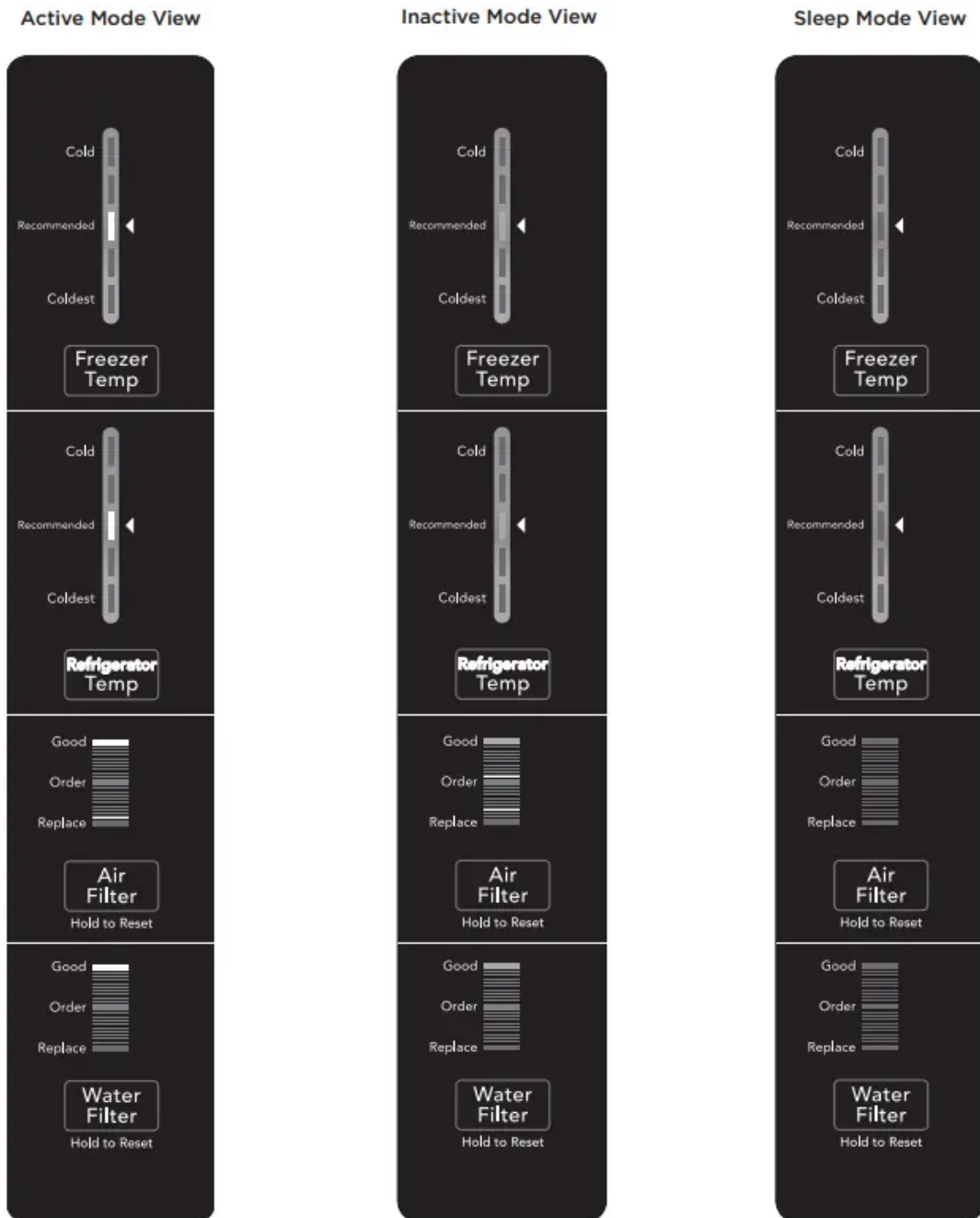
Air Filter Status* - When you need to order a new air filter, the Side Door UI will change to the Order status. When you need to replace the air filter, the Side Door UI will change to the red Replace status and the Front UI will display Replace Air Filter. After you change the filter, hold the Air Filter button for 3 seconds to reset.

Power Outage - In the event of a power outage the Power Outage indicator appear and an alarm will sound. Press any button to clear the alarm.

Door Open - When a door is open the Door Open indicator will appear and will disappear when the door is closed. If a door is left open for more than minutes an alarm will sound. The alarm will continue to go off every seconds until acknowledged. Close the door to turn off the alarm or press any button on the control to temporarily disable the alarm.

High Temp - In the event of the internal temperature of the refrigerator rising and staying at a temperature above the safe temp zone for a period of time, the High Temp warning will appear to remind you to check your food. In addition to the indicator, an alarm will sound every 10 seconds until acknowledged. Press any button to clear the warning. - The refrigerator will automatically try to cool down to improve the condition. However, if the temperature has not cooled after some time, the warning and alarm will appear again. If the problem continues please call

In-Door User Interface



In-Door Control Display Mode Views

Your display is equipped with a sleep and inactive mode to prevent accidental changes to the unit settings during opening and closing of the doors. When both doors are closed, the display will be in sleep mode. When either door is first opened, the display will be in inactive mode where all the current settings are visible but dimmed.

Pressing any button on the display will activate the display and a tone will be played. All settings will then be fully lit. Touch the display again to change any setting.

If there is no button pressed for 10 seconds while any door is open, the display will default back to inactive mode.

Temperature Adjustment - Adjust the temperature gradually: adjust in small increments, allowing the temperature to stabilize.

- For colder temperatures, press the Temp button to change the temperature setting toward Coldest.
- For warmer temperatures, press the Temp button to change the temperature setting toward Cold.

Adjusting the refrigerator control will change temperature in both compartments. The freezer control can be left at the factory preset or adjusted as desired.

To maintain temperatures, a fan circulates air in the refrigerator and freezer compartments. For good circulation, do not block cold air vents with food items.

Air Filter Status*

The display shows the current status of the air filter (Good, Order, or Replace). To reset the filter status to Good, press and hold Air Filter for 3 seconds.

Water Filter Status

The displays shows the current status of the water filter (Good, Order, or Replace). To reset the filter status to Good, press and hold Water Filter for 3 seconds.

AUTOMATIC ICE AND WATER DISPENSER

Priming the water supply system

1. Begin filling the system by pressing and holding a drinking glass against the water dispenser paddle.
2. Keep the glass in this position until water comes out of the dispenser. It may take about minutes. Water will sputter until you purge all air from the water lines.
3. Continue dispensing water for about minutes to flush the system and plumbing connections of any impurities (stopping to empty the glass as necessary).



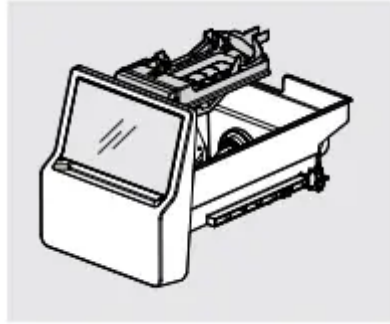
Dispenser
(varies by model)

Ice maker operation & care

After you properly install the refrigerator and it has cooled for several hours, the ice maker can produce ice within 24 hours. The ice maker will fill the ice bin from the rear. You must dispense some ice to force the ice forward in the bin. This will allow the bin to fill completely.

Turning the ice maker on

To turn the ice maker on, press the ice maker's On/Off power switch, located on the front of the ice maker, so the LED is steadily illuminated.



Ice Maker/Dispenser Tips

- Ice cubes stored too long may develop an odd flavor. Empty the ice container as explained in Cleaning the Ice Storage Bin.
- Occasionally shake the ice container to keep ice separated.
- If your refrigerator is not connected to a water supply or the water supply is turned off, turn Off the ice maker.
- If you need a large quantity of ice at one time, it is best to get cubes directly from the ice container.
- The following sounds are normal when the ice maker is operating: Motor running, Ice dropping into ice container, Water valve opening or closing, Ice loosening from tray, Running water
- When dispensing ice, you will hear a snapping or clicking sound when the ice chute opens and closes.
- Turn Off the ice maker when cleaning the freezer and during vacations. If you turn Off the ice maker for a long period of time, you should also turn off the water supply valve.

Cleaning the Ice Storage Bin

Clean the ice storage bin at regular intervals, particularly before you take a vacation or move.

To clean the ice storage bin:

1. Turn Off the ice maker.
2. Remove the ice storage bin by lifting up and out.

3. Empty and carefully clean the ice storage bin with mild detergent. Rinse with clear water. Do not use harsh or abrasive cleaners.
4. Allow the ice storage bin to dry completely before replacing it in the freezer.
5. Remove ice chips and clean the ice storage bin, shelf and the freezer door chute.
6. Replace the ice storage bin. Turn On the ice maker to resume ice production.

Remove and empty the ice storage bin if:

- An extended power failure (1 hour or longer) causes ice cubes in the ice storage bin to melt and freeze together, jamming the dispenser mechanism.
- You do not use the ice dispenser frequently. Ice cubes will freeze together in the bin, jamming the dispenser mechanism.

Remove the ice storage bin and shake to loosen the cubes or clean as explained above.

Glass shelves

Shelves are easily adjusted to suit individual needs. Before adjusting the shelves, remove all food. Shelves are supported by side rails. See "Glass Shelves" in CARE AND CLEANING for proper shelf removal.

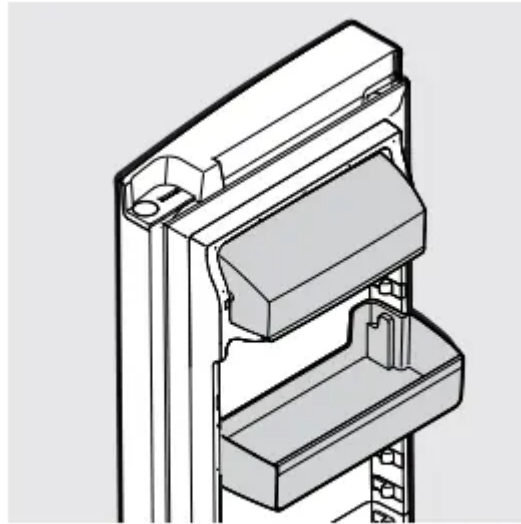
Door storage

Door bins and shelves are provided for convenient storage of jars, bottles, and cans. You can quickly select frequently used items.

Some models have door bins that can accommodate gallon-sized plastic drink containers and economy-sized jars and containers. Some bins are adjustable for maximum storage capacity.

The dairy compartment, which is warmer than the general food storage section, is intended for short term storage of cheese, spreads, or butter.

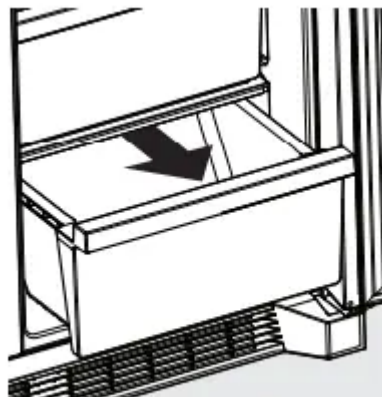




Dairy Bin and Door Bin

Crispers

Crispers allow you the flexibility to store any manner of items including fruits, vegetables, nuts, etc. Crispers do not feature humidity controls



Crisper Drawer

NORMAL OPERATING SOUNDS

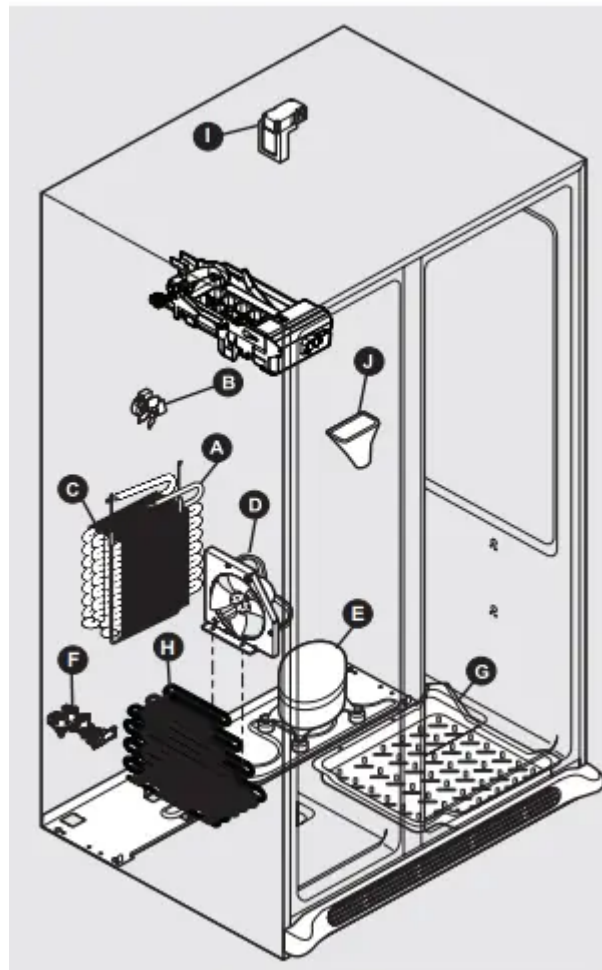
Understanding the Sounds you may Hear

Your new, high-efficiency unit may introduce unfamiliar sounds. These sounds normally indicate your appliance is operating correctly. Some surfaces on floors, walls, and kitchen cabinets may make these sounds more noticeable.

Following is a list of major components in your unit and the sounds they can cause:

- **A Evaporator** Refrigerant through the evaporator may create a boiling or gurgling sound.
- **B Evaporator fan** You may hear air being forced through the refrigerator by the evaporator fan.

- **C Defrost heater** During defrost cycles, water dripping onto the defrost heater may cause a hissing or sizzling sound. After defrosting, a popping sound may occur.
- **D Condenser fan** You may hear air being forced through the condenser.
- **E Compressor** Modern, high-efficiency compressors run much faster than in the past. The compressor may have a high-pitched hum or pulsating sound.
- **F Water valve** Makes a buzzing sound each time it opens to fill the ice maker.
- **G Drain pan** (not removable) You may hear water dripping into the drain pan during the defrost cycle.
- **H Condenser** May create minimal sounds from forced air.
- **I Motorized damper** May produce intermittent humming during operation.
- **J Ice chute** When dispensing ice, you will hear a snapping or clicking sound when the solenoid opens and closes the ice chute.
- **K Ice Maker** When ice has been produced, you will hear ice cubes falling into the ice bin.



FILTER REPLACEMENT

PurePour™ Water Filter

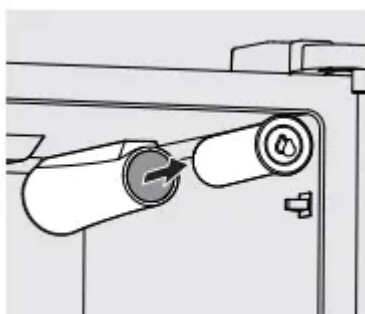
Keep safe, great-tasting water flowing with a PurePour™ water filter. Using a PurePour™ water filter:

- **Makes Safe Water Second Nature** PurePour™ water filters are certified to reduce contaminates* and keep great-tasting water flowing for you and your family.
- **Produces Purity You Can Trust** Know for certain your PurePour™ water filter is a protector. Counterfeits and knockoffs put your refrigerator and health at risk. Frigidaire Genuine Filters are the smarter, safer choice.
- **Every Drop Gives Back** Partnered on sustainability efforts, the use of a PurePour™ water filter helps cut back on the cost and use of plastic used to produce and package bottled water

Replacing the Water Filter

The water filter is located at the top right side of the refrigerator compartment. In general, you should change the water filter every 6 months to ensure the highest possible water quality. **Water Filter Status** on the user interface prompts you to replace the filter after a standard amount of water (125 gal/453 L for PurePour™) has flowed through the system.

If you have not used your refrigerator for a period of time (during moving for example), change the filter before reinstalling the refrigerator.



Ordering Replacement Filters

To order your replacement filters, please visit our online store at Frigidaire.com, by calling toll-free at 1 (800) 372-4432, or by visiting the dealer where you purchased your refrigerator. Frigidaire recommends that you order extra filters when you first install your refrigerator, and that you replace your filters at least once every 6 months.

Here are the product numbers to request when ordering:

PurePour™ Water Filter
Part# FPPWFUO1™

More about your Advanced Water Filter

Test & certification results:

- Rated Capacity - 125 gal/453 L for PurePour™ and ice and water filter

- Rated service flow - .50 gal/min.
- Operating Temp.: Min. 33°F, Max. 100°F
- Maximum Rated Pressure - 100 lbs/in.²
- Recommended Minimum Operating Pressure: 30 lbs/in.²

To replace your PurePour™ water filter: It is not necessary to turn the water supply off to change the filter. Be ready to wipe up any small amounts of water released during the filter replacement.

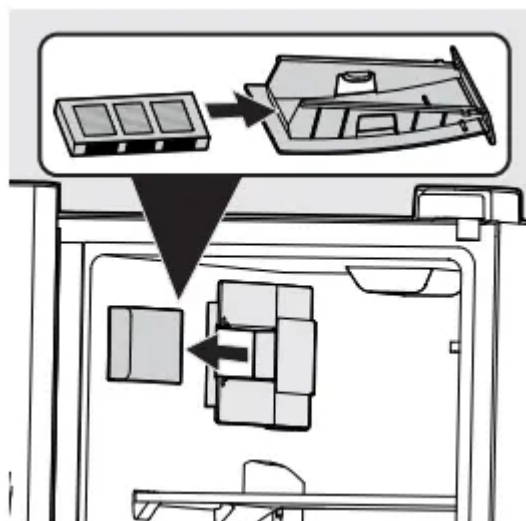
1. Turn Off the ice maker.
2. Remove the filter by pushing on the end/face of the filter.
3. Slide the old water filter cartridge straight out of the housing and discard it.
4. Unpackage the new filter cartridge. Using the alignment guide, slide it gently into the filter housing until it stops against the snap-in connector at the back of the housing.
5. Push firmly until the cartridge snaps into place (you should hear a click as the cartridge engages the snap-in connector).
6. Press a drinking glass against the water dispenser while checking for any leaks at the filter housing. Any spurts and sputters that occur as the system purges air out of the dispenser system are normal.
7. After filling one glass of water, continue flushing the system for about minutes.
8. Turn On the ice maker.
9. Press and hold the Water Filter reset button on the Ice & Water Dispenser control panel for 3 seconds. When the display changes from red to green, the status has been reset.

Air Filter (some models)

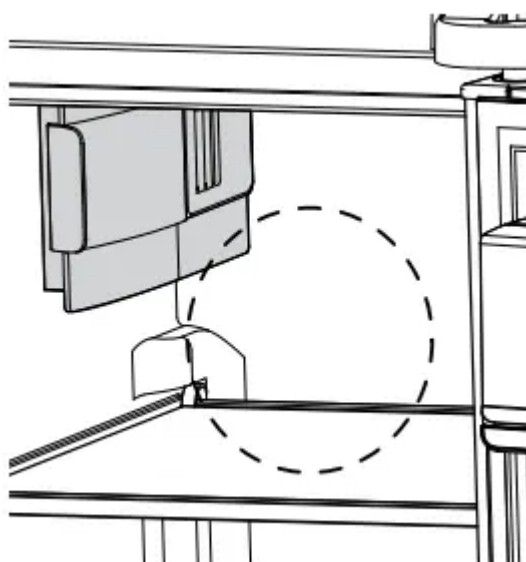
Some models are pre-loaded with an air filter located at the top of the fresh food compartment, next to the water filter.

Replacing the Air Filter You should change your air filter every months (the filter status light on the control panel prompts you to replace the filter after 6 months) to optimize the reduction of refrigerator odors. Different foods will emit various levels of odor. To install your new FRGPAAF1 PureAir™ AF-1 air filter:

1. Pull the air filter housing straight out.
2. Remove the old filter and discard it if applicable).
3. Unpack the new filter and place it inside the housing.
4. Slide the housing back into position.
5. Activate or reset the Air Filter status light on the control panel.



Damper/Air Filter Housing In humid regions certain products stored too close to the damper/air filter housing may freeze. If this scenario occurs, adjust the fresh food temperature settings and reconfigure the top shelf storage to allow for proper air diffusion.



CARE AND CLEANING

Protecting your investment

Keeping your appliance clean maintains appearance and prevents odor build-up. Wipe up any spills immediately and clean the freezer and refrigerator compartments at least twice a year. When cleaning, take the following precautions:

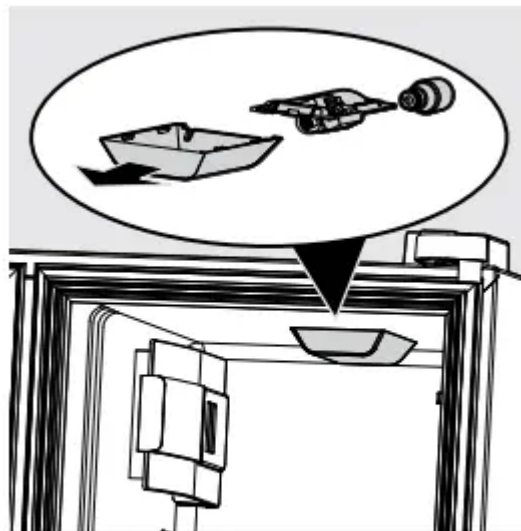
- Never use CHLORIDE or cleaners with bleach to clean stainless steel.
- Do not wash any removable parts in a dishwasher.
- Always unplug the electrical power cord from the wall outlet before cleaning.

- Remove adhesive labels by hand. Do not use razor blades or other sharp instruments which can scratch the appliance surface.
- Do not remove the serial plate.

Do not use abrasive cleaners such as window sprays, scouring cleansers, brushes, flammable fluids, cleaning waxes, concentrated detergents, bleaches or cleansers containing petroleum products on plastic parts, interior doors, gaskets or cabinet liners. Do not use paper towels, metallic scouring pads, or other abrasive cleaning materials or strong alkaline solutions.

Replacing the LED Light Bulb

1. Unplug the refrigerator.
2. Wearing gloves, slide the clear light cover along the top of the unit toward the front of the unit.
3. Replace the old LED bulb with a bulb no greater than 5 watts. Caution: Wear gloves when replacing the LED bulb to avoid getting cut. Use the same wattage when replacing the LED bulb.
4. Replace the light cover
5. Plug in the refrigerator.

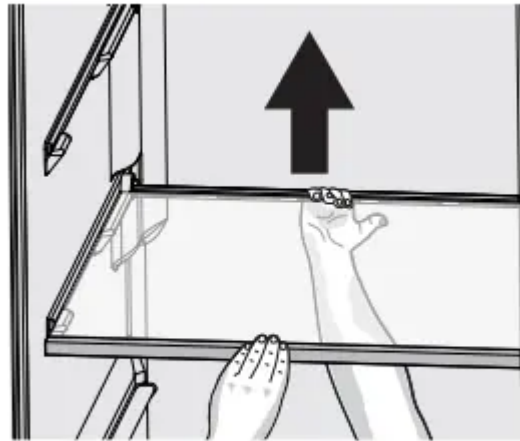


Glass Shelves

Refrigerator: Shelves are easily adjusted to suit individual needs. Before adjusting the shelves, remove all food. Shelves are supported by side rails.

To adjust, lift up on the back of the shelf and pull forward.

Replace the shelf by sliding it on top of the formed rails on the side walls of the cabinet until the rear plastic hooks of the shelf lock into the rear of the cabinet liner.



Refrigerator Glass Shelf

Freezer: You can remove the glass freezer shelf for cleaning. Remove all food from the glass shelf. Rotate the front trim down to remove front trim (Figure 1).

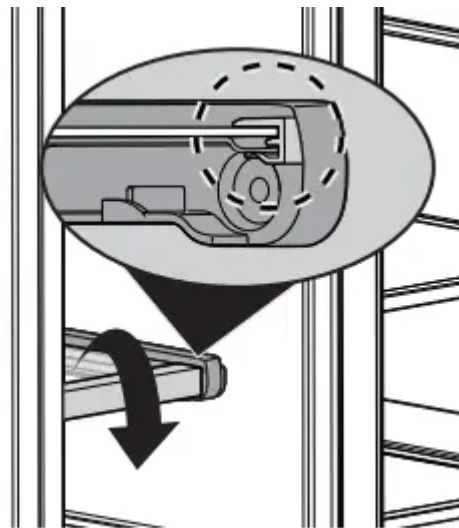


Figure 1

Remove both the rear trim and glass by pulling up on the rear tab and sliding the shelf forward (Figure 2)



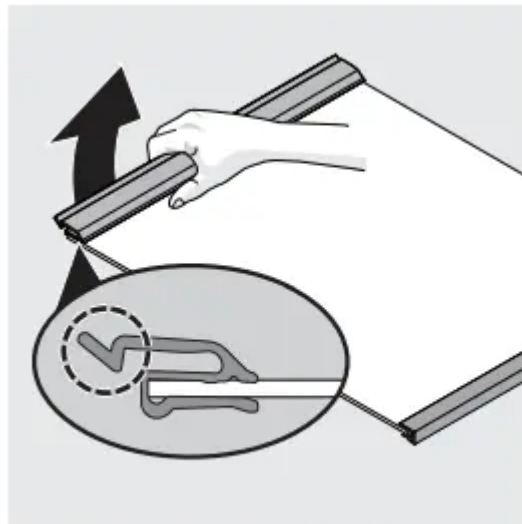


Figure 2

To reassemble the freezer shelf, slide the glass and rear trim along the shelf rails while pressing the shelf downward until it is fully locked into place in the rear (Figure 3). Figure 3 Finally, rotate the front trim upward on the front edge of the glass shelf (Figure 4).

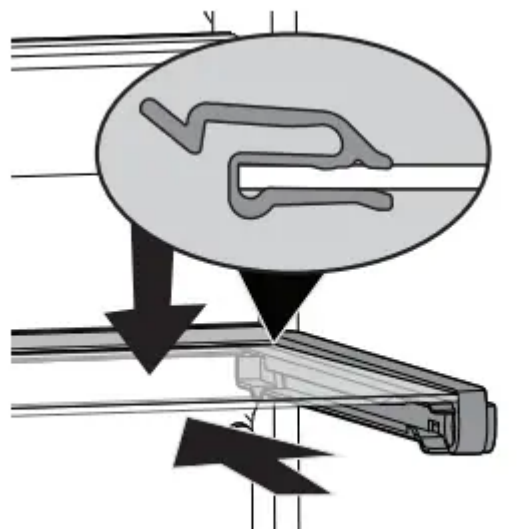


Figure 3

Finally, rotate the front trim upward on the front edge of the glass shelf (Figure 4).



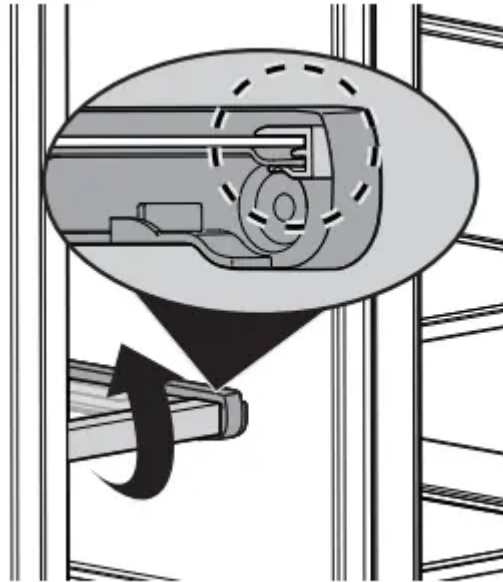


Figure 4

Care & Cleaning Tips

Interior & Door Liners

- What To Use:
 - Soap and water
 - Baking soda and water
- Tips and Precautions:
 - Use 2 Tbsp of baking soda in 1 qt of warm water. Be sure to wring excess water out of sponge or cloth before cleaning around controls, light bulb or any electrical part.

Door Gaskets

- What To Use:
 - Soap and water
- Tips and Precautions:
 - Wipe gaskets with a clean soft cloth.

Drawers & Bins

- What To Use:
 - Soap and water
- Tips and Precautions:
 - Use a soft cloth to clean drawer runners and tracks.

Glass Shelves

- What To Use:
 - Soap and water
 - Glass cleaner
 - Mild liquid sprays
- Tips and Precautions:
 - See "Glass shelves" in CARE AND CLEANING before cleaning. Allow glass to warm to room temperature before immersing in warm water.

Toe Grille

- What To Use:
 - Soap and water
 - Mild liquid sprays
 - Vacuum attachment
- Tips and Precautions:
 - Vacuum dust from front of toe grille. Remove toe grille (see Installation Instructions). Vacuum backside, wipe with sudsy cloth or sponge. Rinse and dry.

Exterior & Handles

- What To Use:
 - Soap and water
 - Non Abrasive Glass Cleaner
- Tips and Precautions:
 - Do not use commercial household cleaners containing ammonia, bleach or alcohol to clean handles. Use a soft cloth to clean smooth handles. DO NOT use a dry cloth to clean smooth doors.

Exterior & Handles (Stainless Steel Models Only)

- What To Use:
 - Soap and water
 - Stainless Steel Cleaners
- Tips and Precautions:
 - Never use CHLORIDE or cleaners with bleach to clean stainless steel. Clean stainless steel front and handles with non-abrasive soapy water and a dishcloth. Rinse with clean water and a soft cloth. Use a non-abrasive stainless

steel cleaner. These cleaners can be purchased at most home improvement or major department stores. Always follow manufacturer's instructions. Do not use household cleaners containing ammonia or bleach.

- NOTE: Always clean, wipe and dry with the grain to prevent scratching. Wash the rest of the cabinet with warm water and mild liquid detergent. Rinse well, and wipe dry with a clean soft cloth.

Replacing LED Bulbs

What To Use

- Unplug refrigerator
- Wear gloves
- Replace the Refrigerator light cover by sliding the cover forward along the top
- Replace old LED bulb
- Replace light cover
- Plug in the refrigerator

Tips and Precautions

CAUTION: Wear gloves when replacing LED bulbs to avoid getting cut. Use only a 5-watt or less AC LED light bulb.

TROUBLESHOOTING

AUTOMATIC ICE MAKER

Ice maker is not making any ice.

- Ice maker is turned off.
 - Turn on ice maker. Press and hold the "On/Off" button for 3 seconds until the indicator light is on.
- Saddle valve on cold water pipe is clogged or restricted by foreign material.
 - • The ice and water filter cartridge may be clogged. Replace filter cartridge.
 - Turn off household water line valve. Remove valve. Ensure that valve is not a self-piercing saddle valve. Clean valve. Replace valve if necessary

Ice maker is not making enough ice.

- Check to see if water dispenser is dispensing slower than normal.
 - If it is, replace the ice and water filter cartridge.

- Freezer control is set too warm.
 - Set freezer control to colder setting to improve performance of the ice maker. Allow 24 hours for temperature to stabilize.

Ice cubes are freezing together.

- Ice cubes are not being used frequently enough.
 - Remove ice container and discard ice from container. Ice maker will produce fresh supply.
- Ice cubes are hollow (partially frozen cubes with water inside).
 - The ice and water filter cartridge may be clogged. Replace filter cartridge.
- Freezer control is set too warm.
 - Set freezer control to colder setting. Allow 24 hours for temperature to stabilize.

DISPENSER (Ice & Water)

Dispenser will not dispense ice..

- There is no ice in the bin to be dispensed.
 - See the “Ice maker is not making any ice” section above.
- The refrigerator doors are not completely closed.
 - Be sure to close the refrigerator completely.
- Dispenser paddle has been pressed too long and the dispenser motor has overheated.
 - The motor overload protector will reset in about 3 minutes and then ice can be dispensed.
- Not dispensing ice regularly may melt and refreeze ice causing ice clumping. Dispensing clumps could damage the ice bucket.
 - Empty the ice bucket monthly or regularly dispense ice. For longer periods of time (vacation or vacant homes) see Ice Maker/Dispenser Tips in the AUTOMATIC ICE AND WATER DISPENSER section to turn off the ice maker.

Ice dispenser is jammed.

- Ice has melted and frozen around auger due to infrequent use, temperature fluctuations, and/or power outages.
 - Remove ice container, thaw, and empty the contents. Clean container, wipe dry, and replace in proper position. When new ice is made, dispenser should operate. See Cleaning the Ice Storage Bin in the AUTOMATIC ICE AND WATER DISPENSER section.

- Ice cubes are jammed between ice maker and back of ice container.
 - Remove ice cubes that are jamming the dispenser.

Dispenser will not dispense water.

- Water filter not seated properly.
 - Remove and reinstall the water filter. Be sure to push the filter firmly so that you hear it lock solidly into position.
- Water filter is clogged.
 - Replace filter cartridge. Be sure to remove protective caps and push the filter firmly so that you hear it lock solidly into position.
- Household water line valve is not open.
 - Open the household water line valve.

Water has an odd taste and/ or odor.

- Water has not been dispensed for an extended period of time.
 - Draw and discard 10-12 glasses of water to freshen the supply.
- Unit not properly connected to cold water line.:
 - Connect unit to cold water line that supplies water to the kitchen faucet.

Water pressure is extremely low.

- Cut-off and cut-on pressures are too low (well systems only).
 - Have someone turn up the cut-off and cut-on pressure on the water pump system (well systems only).
- Reverse osmosis system is in regenerative phase
 - It is normal for a reverse osmosis system to be below 20 psi during the regenerative phase.
 - See the WATER SUPPLY CONNECTION section.

Water not cold enough.

- As warmer tap water goes through the filter and enters the water tank the chilled water is pushed through to the dispenser. Once the chilled water is used up it will take several hours to bring the freshly replaced water to a cooler temperature
 - Add ice to cup or container before dispensing water.
- Some models are designed without a water tank, these water dispensing systems are not designed to chill water.
 - Add ice to cup or container before dispensing water

OPENING/CLOSING OF DOORS/DRAWERS

Door(s) will not close.

- Door was closed too hard, causing other door to open slightly.
 - Close both doors gently.
- Refrigerator is not level. It rocks on the floor when moved slightly.
 - Ensure floor is level and solid, and can adequately support the refrigerator. Contact a carpenter to correct a sagging or sloping floor.
- Refrigerator is touching a wall or cabinet.
 - Ensure floor is level and solid, and can adequately support the refrigerator. Contact a carpenter to correct a sagging or sloping floor.

Drawers are difficult to move.

- Food is touching shelf on top of drawer.
 - Remove top layer of items in drawer.
- Track that drawers slide on is dirty.
 - Ensure drawer is properly installed on track.
 - Clean drawer, rollers, and track. See CARE AND CLEANING.

RUNNING OF REFRIGERATOR

Compressor does not run.

- Freezer control is set to "OF" or "0".
 - Set freezer control.
- Refrigerator is in defrost cycle
 - This is normal for a fully automatic defrost refrigerator. The defrost cycle occurs periodically, lasting about 30 minutes.
- Plug at electrical outlet is disconnected.
 - Ensure plug is tightly pushed into outlet.
- House fuse blown or tripped circuit breaker.
 - Check/replace fuse with a 15 amp time-delay fuse. Reset circuit breaker.
- Power outage.
 - Check house lights. Call local electric company.

Refrigerator runs too much or too long.

- Room or outside weather is hot.
 - It's normal for the refrigerator to work longer under these conditions.
- Doors are opened too frequently or too long.
 - Warm air entering the refrigerator causes it to run more. Open doors less often.
- Refrigerator/freezer door may be slightly open.
 - Ensure refrigerator is level. Keep food and contains from blocking door. See PROBLEM column OPENING/CLOSING OF DOORS/DRAWERS.
- Freezer control is set too cold.
 - Set Refrigerator control to warmer setting until refrigerator temperature is satisfactory. Allow 24 hours for temperature to stabilize.
- Refrigerator/freezer gasket is dirty, worn, cracked, or poorly fitted.
 - Clean or change gasket. Leaks in door seal will cause refrigerator to run longer in order to maintain desired temperatures.
- Condenser is dirty.
 - Clean condenser. See CARE AND CLEANING.

Compressor goes off and on frequently.

- Thermostat keeps the refrigerator at a constant temperature.
 - This is normal. Refrigerator goes on and off to keep temperature constant.

Appliance seems to run continuously.

- The appliance is equipped with an energy-efficient variable speed compressor. It actually saves energy running more frequently.
 - This is normal.

DIGITAL TEMPERATURE DISPLAY

Digital temperature displays are flashing.

- Electronic control system has detected a performance problem.
 - Call your Frigidaire service representative, who can interpret any messages or number codes flashing on the digital displays.

WATER/MOISTURE/FROST INSIDE REFRIGERATOR

Moisture collects on inside of refrigerator walls.

- Weather is hot and humid.
 - The rate of frost buildup and internal sweating increases.
- Door is slightly open.
 - See PROBLEM column OPENING/ CLOSING OF DOORS/DRAWERS.

Water collects on bottom side of drawer cover.

- Vegetables contain and give off moisture.
 - It is not unusual to have moisture on the bottom side of the cover.
 - Move humidity control (some models) to lower setting.

Water collects in bottom of drawer.

- Washed vegetables and fruit drain while in the drawer.
 - Dry items before putting them in the drawer. Water collecting in bottom of drawer is normal.

Stored products on top shelf freeze

- Fresh food temperature setting too cold.
 - Adjust fresh food temperature settings.
- Certain products stored too close to damper / air filter housing.
 - Reconfigure top shelf storage to allow proper diffusion of air. See Damper/Air Filter Housing in the FILTER REPLACEMENT section.

WATER/MOISTURE/FROST OUTSIDE REFRIGERATOR

Moisture collects on outside of refrigerator or between doors.

- Weather is humid.
 - This is normal in humid weather. When humidity is lower, the moisture should disappear.
- Door is slightly open, causing cold air from inside refrigerator to meet warm air from outside.
 - See PROBLEM column OPENING/ CLOSING OF DOORS/DRAWERS.

Warning

This content is compiled from multiple sources and is provided for reference purposes only. It may not be complete or fully applicable to all situations. If you are unable to resolve your issue, please contact the product manufacturer or an authorized service provider for official support.

Document generated by [ManualsFile](#)