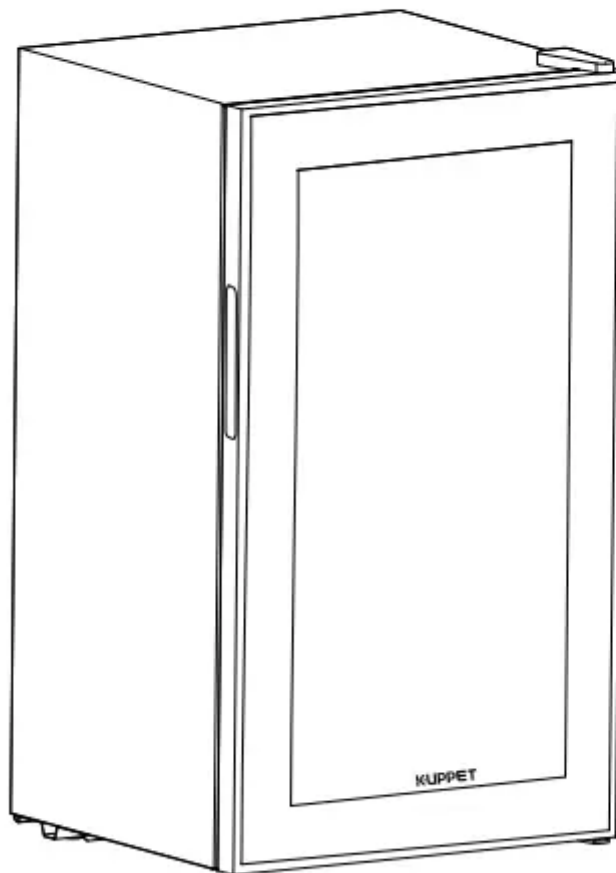


Operating Instructions

BEFORE USE, PLEASE READ AND FOLLOW ALL SAFETY RULES AND OPERATING INSTRUCTIONS

BG-85Y4



Important safety instructions

WARNING: To reduce the risk of fire, electrical shock, or injury when using your appliance, follow these basic precautions:

Read all instructions before using the APPLIANCE.

- If the supply cord is damaged, it must be replaced by the manufacturer, its service agent or similarly qualified persons in order to avoid a hazard.

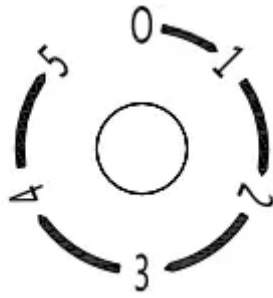
- This appliance is not intended for use by persons(including children) with reduced physical,sensory or mental capabilities,or lack of experience and knowledge,unless they have been given supervision or instruction concerning use of the appliance by a person responsible for their safety.
- Children should be supervised to ensure that they do not play with the appliance.
- **WARNING:**To avoid a hazard due to instability of the appliance,it must be fixed in accordance with the instruction.
- Do not store explosive substances such as aerosol cans with a flammable propellant inside the appliance.
- When disposing of the appliance do so only at an authorized waste disposal centre.Do not expose to flame.
- The lamp should be changed by professionals.

Installation Instructions

- This appliance is designed to be free standing only, and should not be recessed or built-in.
- Place your unit on a floor that is strong enough to support the unit when it is fully loaded. To level your unit, adjust the leveling legs at the bottom of the unit.
- This appliance is NOT designed to be installed inside of a cabinet where the front is covered by any type of door.
- Allow 7cm of space between the top, back and sides of the unit. maximum bearing of the shelf is 10kg.
- Locate the unit away from direct sunlight and sources of heat (stove, heater, radiator, etc.). Direct sunlight may affect the acrylic coating and heat sources may increase electrical consumption, Extreme cold ambient temperatures may also cause the unit not to perform properly.
- Avoid locating the unit in moist areas.
- Plug the unit into an exclusive, properly installed-grounded wall outlet. Do not under any circumstances cut or remove the third (ground) prong from the power cord. Any questions concerning power and/or grounding should be directed toward a certified electrician or an authorized Products service center.
- After plugging the appliance into a wall outlet, allow the unit to cool down for 2-3 hours before placing food in the appliance compartment.

Operating your unit

Setting the Temperature Control



- Your unit has only one control for regulating the temperature in the compartment. The temperature control is located at the upper right hand side of the compartment.
- The first time you turn the unit on, set the temperature control to "5".
- The range of the temperature control is from position "0" to "5". After 24 to 48 hours, adjust the temperature control to the setting that best suites your needs. The setting of "3" or "4" should be appropriate for home or office use.
- To turn the appliance off, turn the temperature control to "0".

Note:

- Turning the temperature control to "0" position stops the cooling cycle but does not shut off the power to the unit.
- If the unit is unplugged, has lost power, or is turned off, you must wait 3 to 5 minutes before restarting the unit. If you attempt to restart before this time delay, the unit will not start.

Energy Saving Tips

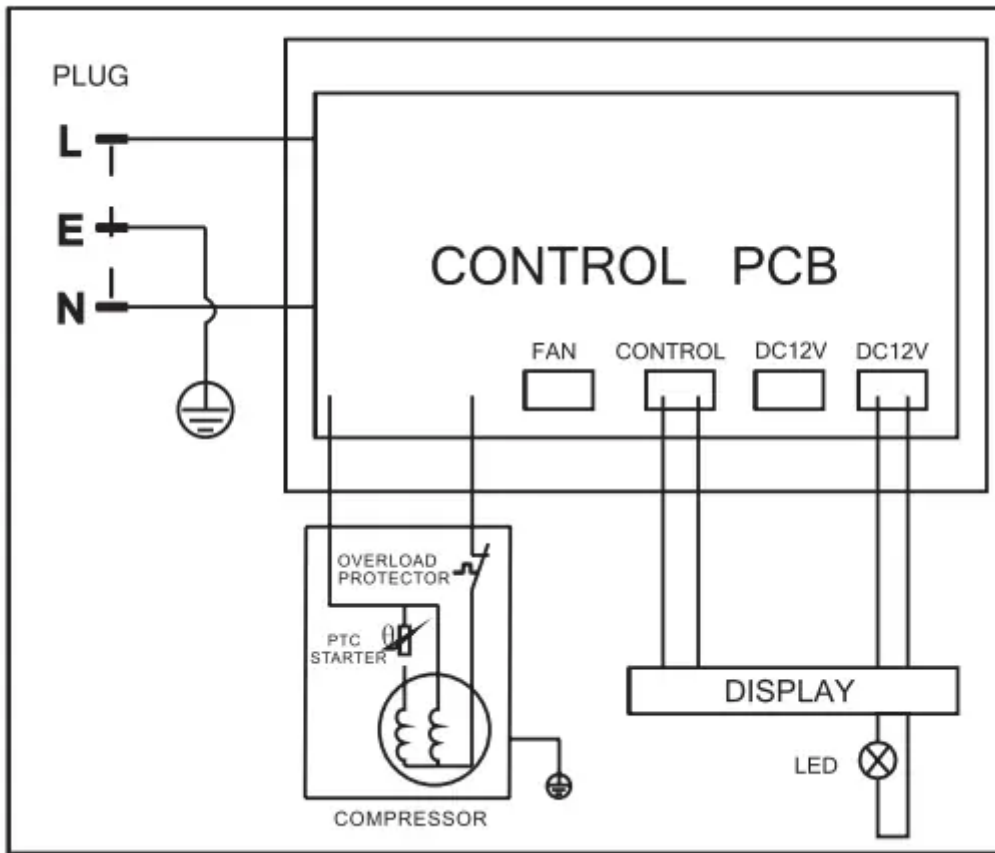
- The unit should be located in the coolest area of the room, away from heat producing appliances, and out of the direct sunlight.
- Let hot foods cool to room temperature before placing in the unit. Overloading the unit forces the compressor to run longer.
- Be sure to wrap foods properly, and wipe containers dry before placing them in the unit. This cuts down on frost build-up inside the unit.
- Unit storage bin should not be lined with aluminum foil, wax paper, or paper toweling. Liners interfere with cold air circulation, making the unit less efficient.
- Organize and label food to reduce door openings and extended searches. Remove as many items as needed at one time, and close the door as soon as possible.



TROUBLESHOOTING GUIDE

PROBLEM	POSSIBLE CAUSE
Unit does not operate	<p>Not plugged in.</p> <p>The circuit breaker tripped or blown fuse</p> <p>The unit temperature control is set '0' position</p>
Turns on and off frequently	<p>The room temperature is hotter than normal.</p> <p>A large amount of food has been added to the unit.</p> <p>The door is opened too often.</p> <p>The door is not closed completely.</p> <p>The temperature control is not set correctly.</p> <p>The door gasket does not seal properly.</p> <p>The unit does not have the correct clearances.</p>
Vibrations	<p>Check to assure that the unit is level.</p>
The unit seems to make too much noise	<p>The rattling noise may come from the flow of the refrigerant, which is normal.</p> <p>As each cycle ends, you may hear gurgling sounds caused by the flow of refrigerant in your unit.</p> <p>Contraction and expansion of the inside walls may cause popping and crackling noises.</p> <p>The unit is not level.</p>
The door will not close properly	<p>The unit is not level.</p> <p>The door was reversed and not properly installed.</p> <p>The gasket is dirty or bent.</p> <p>The shelves, bins, or baskets are out of position.</p>

WIRING DIAGRAM



TECHNICAL DATA

MODEL	BG-85
VOLUME	80L
RATED VOLTAGE	220-240V~50/60Hz
RATED CURRENT	0.65A
REFRIGERANT	R600a(20g)
LAMP POWER	10W
CLIMATE CLASS	N
DIMENSION(MM)	435x474x840
PACKING(MM)	465x510x875
NET WEIGHT(KG)	545x510x900
GROSS WEIGHT(KG)	28
- 32 °C ± 2 °C on appliances of climatic class 0, 1, 2, 3, 4, 6 or 8. - 43 °C ± 2 °C on appliances of climatic class 5 or 7.	

Warning

This content is compiled from multiple sources and is provided for reference purposes only. It may not be complete or fully applicable to all situations. If you are unable to resolve your issue, please contact the product manufacturer or an authorized service provider for official support.