

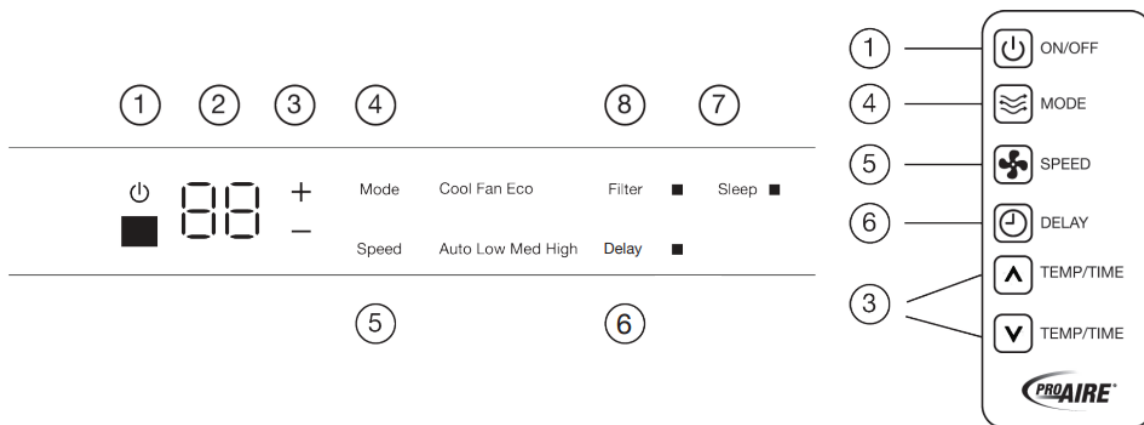
USING THE AIR CONDITIONER

Controls

(Features and appearance may vary)

- Lights beside the touch pads on the control panel indicate selected setting.

See Appliance Communication Section in this manual.



Air Conditioner Controls

Remote Control

1. Power

- Turns air conditioner on and off. When turned on, the display will show the room temperature.

2. Display

- Shows the room temperature or time remaining on the Delay timer. Shows Set temperature while setting the temperature in Cool or Eco modes.

3. Temp and Delay Increase/Decrease

- Used to set temperature or delay time. Temperature can be set in Cool and Eco mode all in 1 °F increments.

4. Mode

- Used to set the air conditioner to Fan Only, Cool, or Eco mode.

5. Fan Speed

- In Cool or Eco mode: Fan speed may be set to Auto, High, Med or Low.
- In Fan Only mode, the fan can only be set to High, Med, or Low.

6. Delay (set by remote control only)

- Delay ON—When the air conditioner is off, it can be set to automatically come on between 1 - 24 hours at its previous mode and fan setting.
- Delay OFF—When the air conditioner is on, it can be set to automatically turn off between 1 - 24 hours.
- How to Set: Press Delay on the remote control. Each press will Increase + / Decrease - by 1-hour increments. To review the remaining time on the Delay timer, press the Delay pad on the remote control.
- Use the Increase + / Decrease - pads on the remote control to set a new time if desired. To Cancel the Timer, press Decrease - pad on the remote control until the set time is zero.

7. Sleep (set from air conditioner panel only)

- SLEEP mode will gradually change settings over an 8-hour period to allow energy efficiency during sleeping hours. The SLEEP mode is available only in COOL and FAN ONLY settings. Press the SLEEP mode and the light will illuminate. The fan indicator will stay at the same setting, but the air conditioner will automatically change FAN speed to low in either COOL or FAN ONLY mode.
- In FAN ONLY mode, the fan will stay in the LOW speed setting for 8 hours. After 8 hours, the air conditioner will resume the settings that was in place before the SLEEP mode was pressed.
- In COOL mode, the fan will stay in the LOW speed setting for 8 hours from the time the SLEEP mode pad was pressed. The air conditioner will also raise the set point 2°F in 30 minutes and 2°F more in another 30 minutes where it will remain for the next 7 hours. After 8 hours, the air conditioner will resume the settings that were in place before the SLEEP mode pad was pressed.
- While the unit is in SLEEP mode, pressing any pad will return it to the settings that were in place before the SLEEP mode pad was pressed.

8. Filter Reset

- The filter indicator light will come on after 250 hours of run time (refer to page 6) for filter maintenance. Press the Filter Reset button for 3 seconds, the light will turn OFF.

Cooling Descriptions

- This air conditioner has a control panel lights on off feature where its lights will turn off when there is no activity with the controls for over one minute. To wake up the controls, press any pad on the controls and the lights will come on to show the previous settings.
- To turn this feature off, press and hold the SLEEP pad, on the unit, for 5 seconds. The unit will beep to signal the successful toggle of the feature on and off.

Remote Control

- To ensure proper operation, aim the remote control at the signal receiver on the air conditioner.
- The remote-control signal has a range of up to 20 feet.
- Make sure nothing is between the air conditioner and the remote control that could block the signal.
- Make sure the batteries are fresh and installed correctly as indicated on the remote control.

Cool Mode

- Use the Cool mode in Low, Med, High or Speed for cooling. Use the Temperature Increase + / Decrease - pads to set the desired temperature between 64°F and 86°F in 1°F increments.
- An electronic thermostat is used to maintain the room temperature. The compressor will cycle on and off to keep the room at the set level of comfort. Set the thermostat at a lower number and the indoor air will become cooler. Set the thermostat at a higher number and the indoor air will become warmer.
- For Normal Cooling—Select the Cool mode and High or Med fan with a middle set temperature.
- For Maximum Cooling—Select the Cool mode and High fan with a lower set temperature.
- For Quieter and Nighttime Cooling—Select the Cool mode and Low fan with a middle set temperature

Note If the air conditioner is off and is then turned on while set to a Cool setting or if turned from a fan setting to a Cool setting, it may take approximately 3 minutes for the compressor to start and cooling to begin.

Eco Mode

- Controls the fan.
- ON—The fan will cycle on and off with the compressor. This may result in wider variations of room temperature and humidity.
- OFF—The fan runs all the time, while the compressor cycles on and off.

Note The fan may continue to run for a short time or may pulse intermittently after the compressor cycles off to cycle the air in the room.

Fan Only Mode

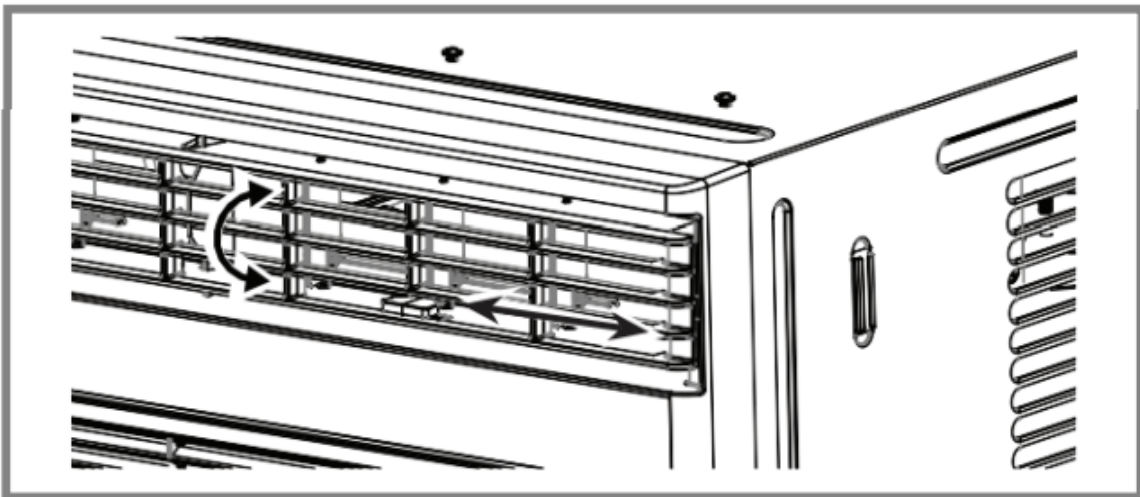
- Use the Fan Only Mode at Low, Med or High fan speed to provide air circulation and filtering without cooling. Since fan-only settings do not provide cooling, a Set temperature cannot be entered. The room temperature will appear in the display

Auto Fan Mode

- Set to Auto for the fan speed to automatically set to the speed needed to provide optimum comfort settings with the set temperature.
- If the room needs more cooling, the fan speed will automatically increase. If the room needs less cooling, the fan speed will automatically decrease.

Air Direction

Use the levels to adjust the air direction left or right. Tilt the louver to adjust up or down.



CARE AND CLEANING

Maintenance

Do Not Operate in Freezing Outdoor Conditions

This cool-only air conditioner was not designed for freezing outdoor conditions. It must not be used when the outdoor temperature is below freezing (32°F).

Grille and Case

Turn the air conditioner off and remove the plug from the wall outlet before cleaning. Clean filter by using warm water and a mild detergent. Do not use bleach or abrasives.

Air Filter

The air filter should be checked and cleaned at least every 30 days.

To Access:

- Open the grille by pulling downward on the tabs at the top corners. Remove the filter.
- Clean filter with warm, soapy water.
- Rinse and let the filter air dry before placing back into unit.
- DO NOT wash filter in a dishwasher.

CAUTION: DO NOT operate the air conditioner without a filter as this will cause dirt and lint to build up and will reduce the performance of the unit.

Outdoor Coils

The coils on the outdoor side of the air conditioner should be checked regularly. If they are clogged with dirt or soot, they should be cleaned. Coils may be cleaned with water or special dissolvent for copper coils.

How to Replace Battery

1. Remove the screw on the back of the battery cover.
2. Pinch the slide lock and pull the battery tray out at the same time.
3. Insert battery, assure that the (+) and (-) of battery are installed correctly.
4. Reinsert the battery tray and screw.

Note

- This remote model uses a CR 2025 (3V) Lithium battery.
- Remove the battery from the remote control, if unit will not be used for a long period of time.

INSTALLATION INSTRUCTIONS

ELECTRICAL REQUIREMENTS

This model requires:

- 115/120-volt AC, 60-Hz grounded outlet protected with a 15-amp time-delay fuse or circuit breaker.
- The 3-prong grounding plug minimizes the possibility of electric shock hazard. If the wall outlet you plan to use is only a 2-prong outlet, it is your responsibility to have it replaced with a properly grounded 3-prong wall outlet.

CAUTION:

- Do not, under any circumstances, cut or remove the third (ground) prong from the power cord.

- Do not change the plug on the power cord of this air conditioner.
- Aluminum house wiring may create issues -consult a qualified electrician.

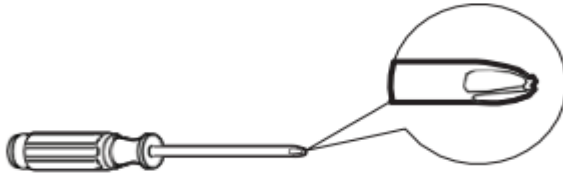
The power cord includes a current interrupter device. A test and reset button are provided on the plug case. The device should be tested on a periodic basis by first pressing the TEST button and then the RESET button while plugged into the outlet. If the TEST button does not trip or if the RESET button will not stay engaged, discontinue use of the air conditioner and contact a qualified service technician.

BEFORE YOU BEGIN

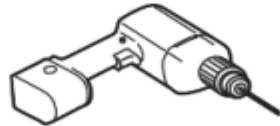
Read these instructions completely and carefully.

- **IMPORTANT** – Save these instructions for local inspector’s use.
- **IMPORTANT** – Observe all governing codes and ordinances.
- **Note to Installer** – Be sure to leave these instructions with the Consumer.
- **Note to Consumer** – Keep these instructions for future reference.
- **Skill Level** – Installation of this appliance requires basic mechanical skills.
- **Completion Time** – Approximately 1 hour.
- We recommend that two people install this product.
- Proper installation is the responsibility of the installer.
- Product failure due to improper installation is not covered under the Warranty.
- You **MUST** use all supplied parts and use proper installation procedures as described in these instructions when installing this air conditioner.

TOOLS REQUIRED



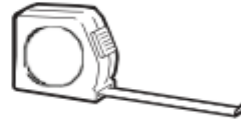
Phillips Head Screwdriver



Drill and 1/8" Drill Bit



Pencil



Ruler or Tape Measure



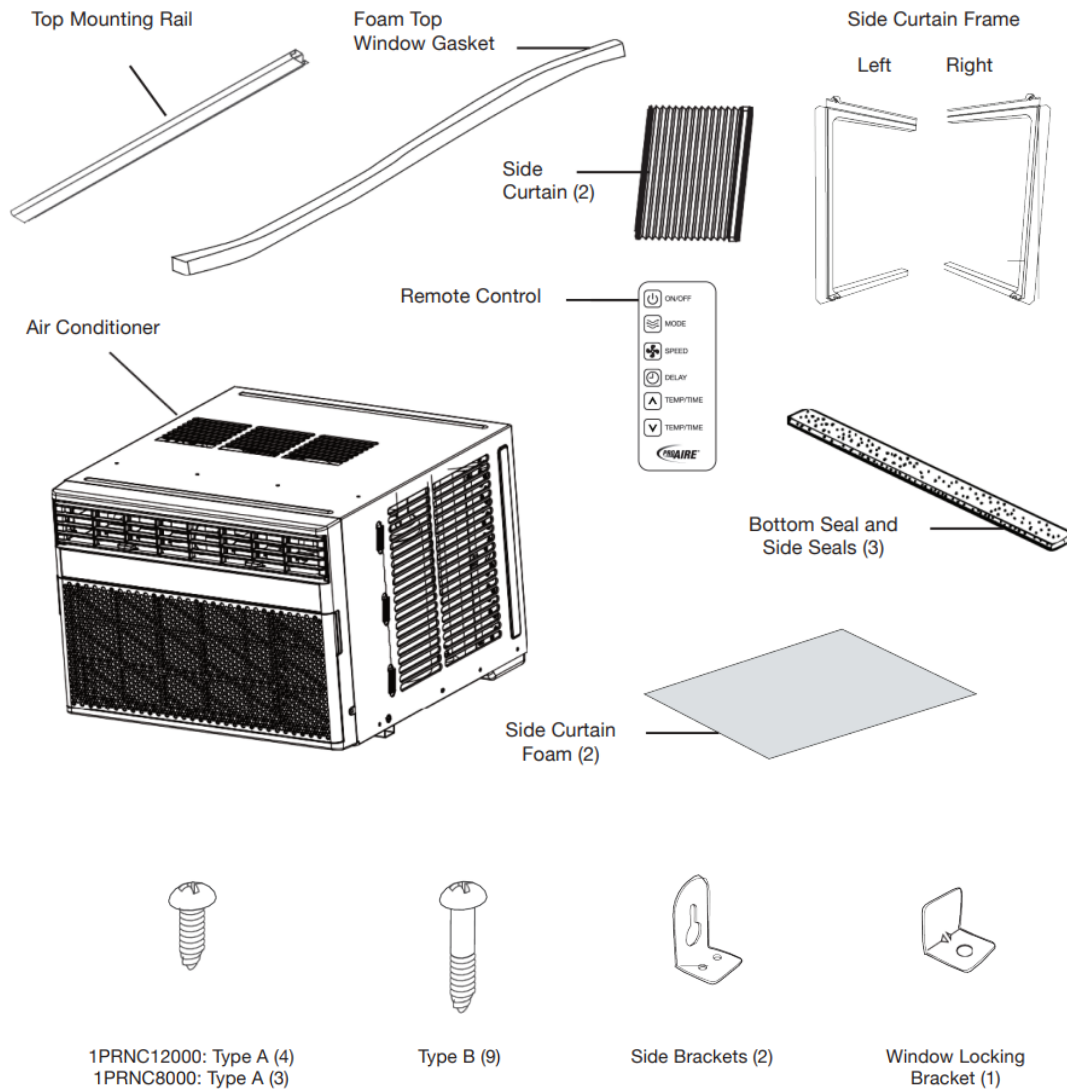
Level



Scissors or Knife

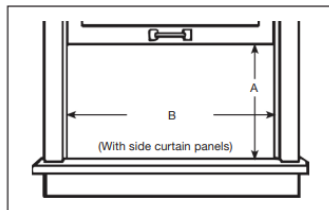
PARTS INCLUDED

(Appearance may vary)



1. WINDOW REQUIREMENTS

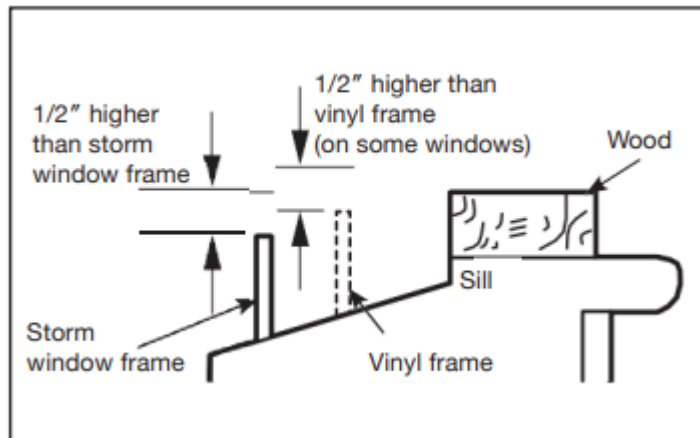
- These instructions are for a standard double-hung window. You will need to modify them for other types of windows.
- The air conditioner can be installed without the side curtain panels if needed to fit in a narrow window. See the window opening dimensions.
- All supporting parts must be secured to firm wood, masonry or metal.
- The electrical outlet must be within reach of the power cord.
- Follow the dimensions in the table and illustration for your model.



Models	A	B
8000	13 3/8" min	24 1/2" – 36"
12000	14 9/16" min	25" – 36 5/8"

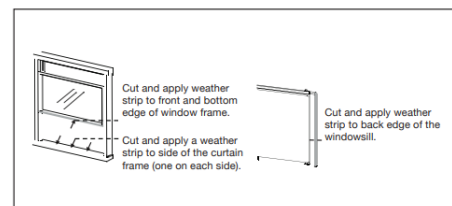
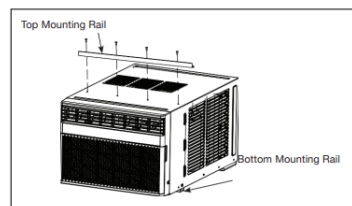
2. STORM WINDOW REQUIREMENTS

- A storm window frame will not allow the air conditioner to tilt toward the outside and will keep it from draining properly. To adjust for this, attach a piece of wood to the sill.
- WOOD PIECES WIDTH: 2"
- LENGTH: Long enough to fit inside the window frame.
- THICKNESS: To determine the thickness, place a piece of wood on the sill to make it 1/2" higher than the top of the storm window frame or the vinyl frame.
- Attach securely with nails or screws provided by the installer.

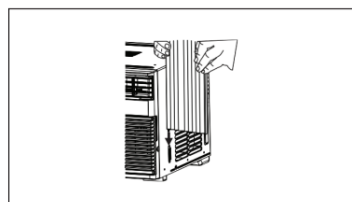


3. PREPARE THE AIR CONDITIONER

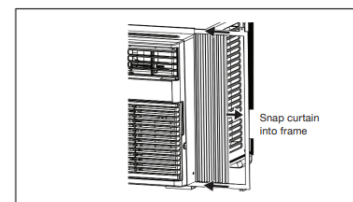
- A. Screw the top mounting rail with 4 Type A screws (1PRNC12000) or 3 Type A screws (1PRNC8000) from the outside of the case.
- B. Apply the weather seals provided at the bottom, top, and sides of the window to seal the perimeter of the air conditioner.



- C. Slide the side curtains snap into side panel rails.

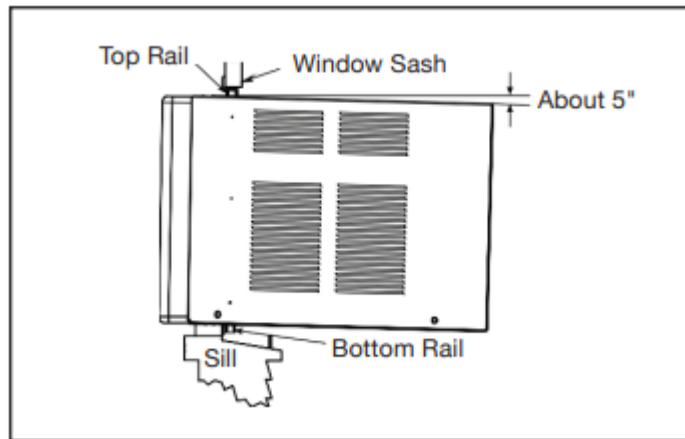


- D. Slide left and right-side curtain frames into top and bottom rails. Make sure that side curtains snap into side of the frames.

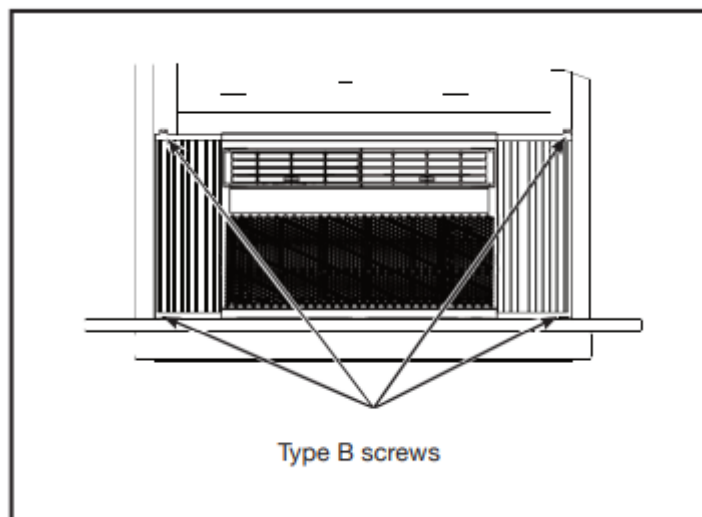


4. INSTALL THE AIR CONDITIONER IN THE WINDOW

- **A.** Mark the center of the window. Set the air conditioner in the window so that it is centered. Place the air conditioner so that front edge of the bottom mounting rail is against the back edge of the sill.
- **B.** Bring the window down so that the front edge of the top mounting is in front of the window. Make sure that the air conditioner is level or tilting slightly to the outside.



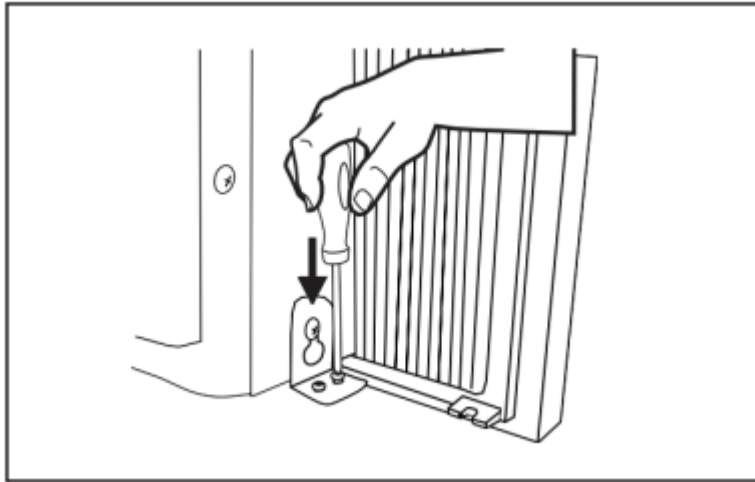
- **C.** Extend the curtain panels until they fill the window. Mark the location of the holes in each corner. Use the drill and 1/8" drill bit to drill pilot holes. Use 4 type B screws to secure the side panels in place.



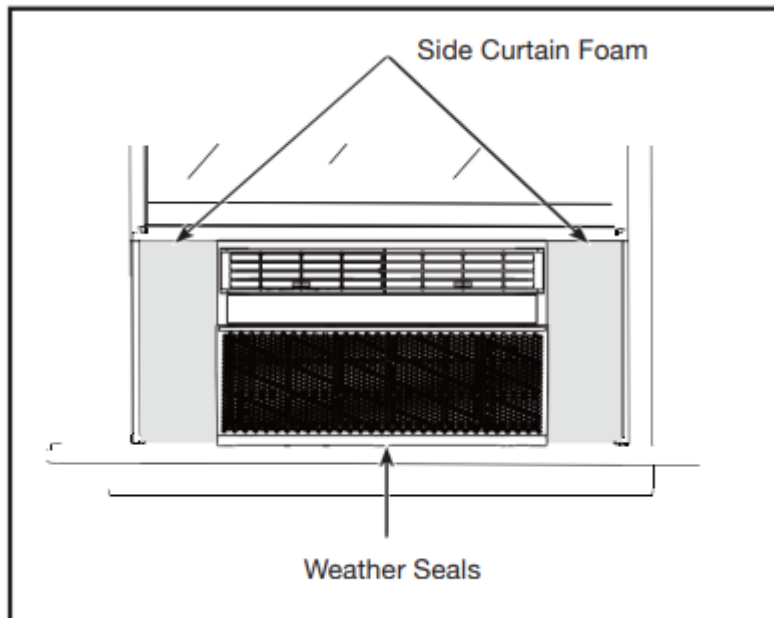
5. SECURE THE AIR CONDITIONER

- **A.** Loosen the screw on the right-hand side of the air conditioner near the bottom.

- **B.** Slide a side bracket over the screw so that the bracket is resting on the windowsill. Tighten the screw.



- **C.** Use a 1/8" drill bit to drill a starter hole into the windowsill through the holes in the side bracket. Use 4 type B screws to attach the side bracket to the windowsill.
- **D.** Repeat the side bracket installation on the left side.
- **E.** Measure and cut adhesive foam backed sheet. Apply over side curtain and frame.

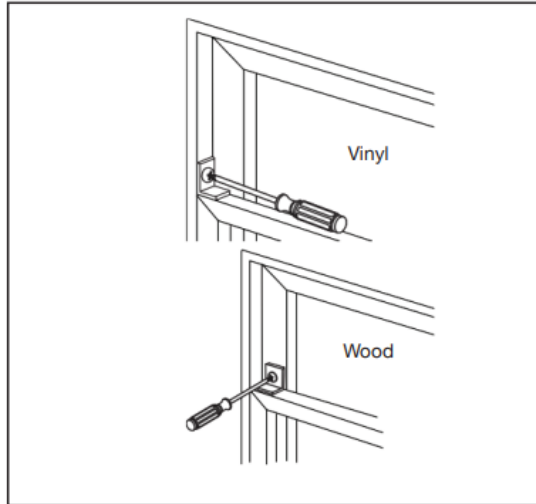


6. INSTALL WINDOW LOCKING BRACKET AND FOAM TOP WINDOW GASKET

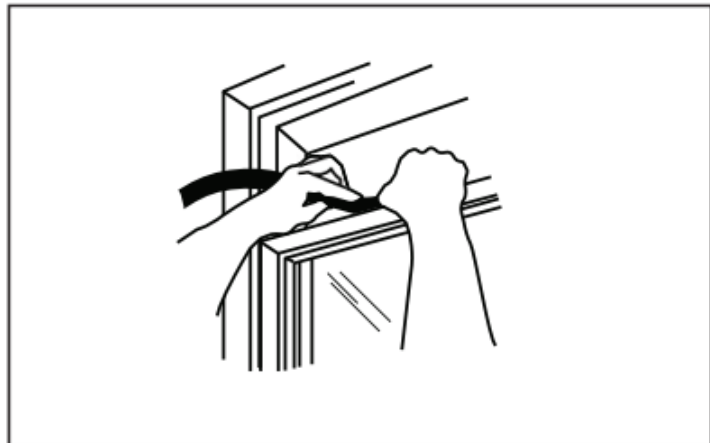
- Use Type B Screw to install the window lock bracket on top of the bottom window.

◦ **CAUTION**

- **A.** To prevent broken glass or damage to windows, on vinyl or other similarly constructed windows, attach the window locking bracket to the window side jamb with one Type B screw.



- **B.** Cut the foam top window gasket to the window width.
- **C.** Stuff the foam between the glass and the window to prevent air and insects from getting into the room.



- **Note** If the gasket supplied does not fit your window, obtain the appropriate material locally to provide a proper installation seal.

TROUBLESHOOTING



Issue	Possible Cause	What To Do
Air conditioner does not start	<ul style="list-style-type: none"> • The unit is unplugged • The fuse is blown/circuit breaker is tripped • Power failure • The current interrupter device is tripped 	<ul style="list-style-type: none"> • Make sure the air conditioner plug is pushed completely into the outlet. • Check the house fuse/circuit breaker box and replace the fuse or reset the breaker. • The unit will automatically restart in the setting last used after the power is restored. There is a protective time delay (approximately 3 minutes) to prevent tripping of the compressor overload. For this reason, the unit may not start normal cooling for 3 minutes after it is turned back on. • Press RESET button located on the power cord plug. If the RESET button will not stay engaged, discontinue use of the air conditioner and contact a qualified service technician.



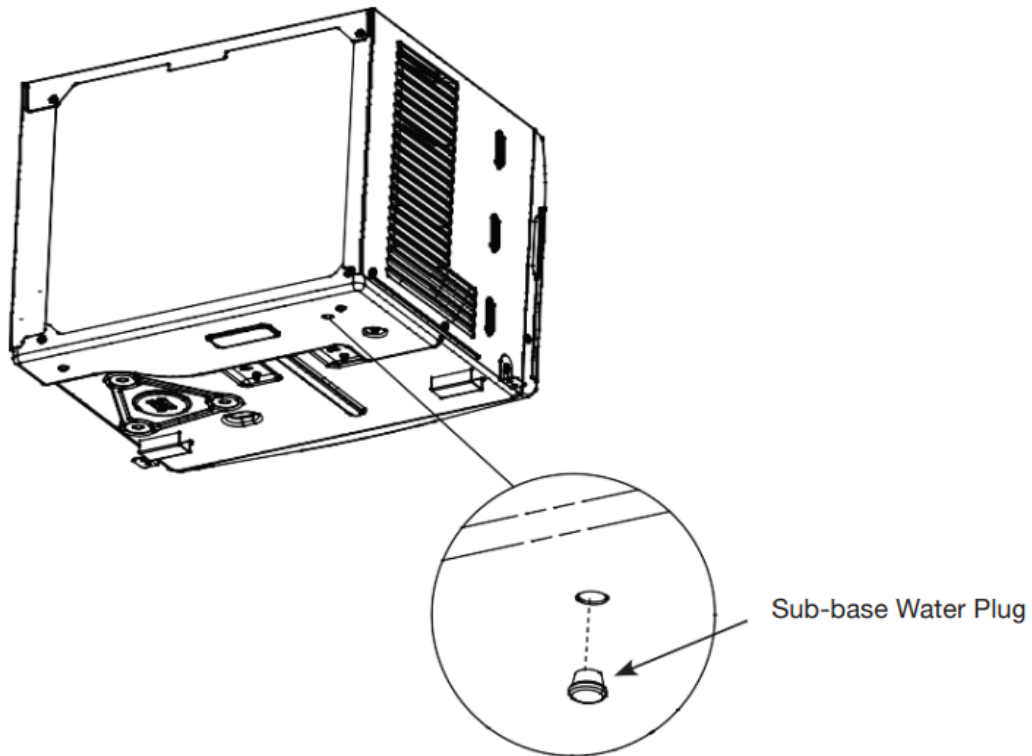
Air conditioner does not cool as it should	<ul style="list-style-type: none"> • Indoor airflow is restricted • The temp control may not be set properly • The air filter is dirty • The room may have been hot • Cold air is escaping • Cooling coils have iced up 	<ul style="list-style-type: none"> • Make sure there are not curtains, blinds or furniture blocking the front of the air conditioner • Turn the temperature control to a higher number. • Clean the filter at least every 30 days. See Care and Cleaning section. • When the air conditioner is first turned on, you need to allow time for the room to cool down. • Check for open furnace registers and cold air returns. • See “Air conditioner freezing up” below.
Air conditioner freezing up	Ice blocks the air flow and stops the air conditioner from cooling the room	On models with control knobs, set the mode control at High Fan or High Cool with the Temp at 1 or 2. May have lost refrigerant.
Water drips outside	Hot, humid weather	This is normal.
Water drips inside	The air conditioner is not tilted to the outside	For proper disposal, make sure the air conditioner slants slightly from the case front to the rear.
Water collects in base pan	Moisture removed from air and drain into base pan	This is normal for a short period in areas with little humidity; normal for a longer period in very humid areas.

Normal Operating Sounds

- You may hear a pinging noise caused by water being picked up and thrown against the condenser on rainy days or when the humidity is high. This is normal, unit is equipped with a slinger blade which scoops up the water from the drain pan and throws it onto the coils for better efficiency.
- You may hear the thermostat click when the compressor cycles on and off.



- Water will collect in the base pan during high humidity or on rainy days. The water may overflow and drip from the outdoor side of the unit. The drain plug may be removed for quicker drainage.
- The fan may run even when the compressor does not.



- Drain plug may be removed for gravity drain but may reduce efficiency.
- DO NOT drill any holes.

Warning

This content is compiled from multiple sources and is provided for reference purposes only. It may not be complete or fully applicable to all situations. If you are unable to resolve your issue, please contact the product manufacturer or an authorized service provider for official support.