

### Childproof lock

The childproof lock lets you protect children from possible hazards resulting from the appliance.

Depending on the features of the appliance model, the appliance comes with an electric childproof lock.

#### Electric childproof lock

The electric childproof lock makes it more difficult to open the appliance door.

You can activate or deactivate the electric childproof lock in the "Basic settings" ^ *Page 39*.

#### **A WARNING Risk of suffocation!**

Children may become trapped in the appliance and thus suffocate.

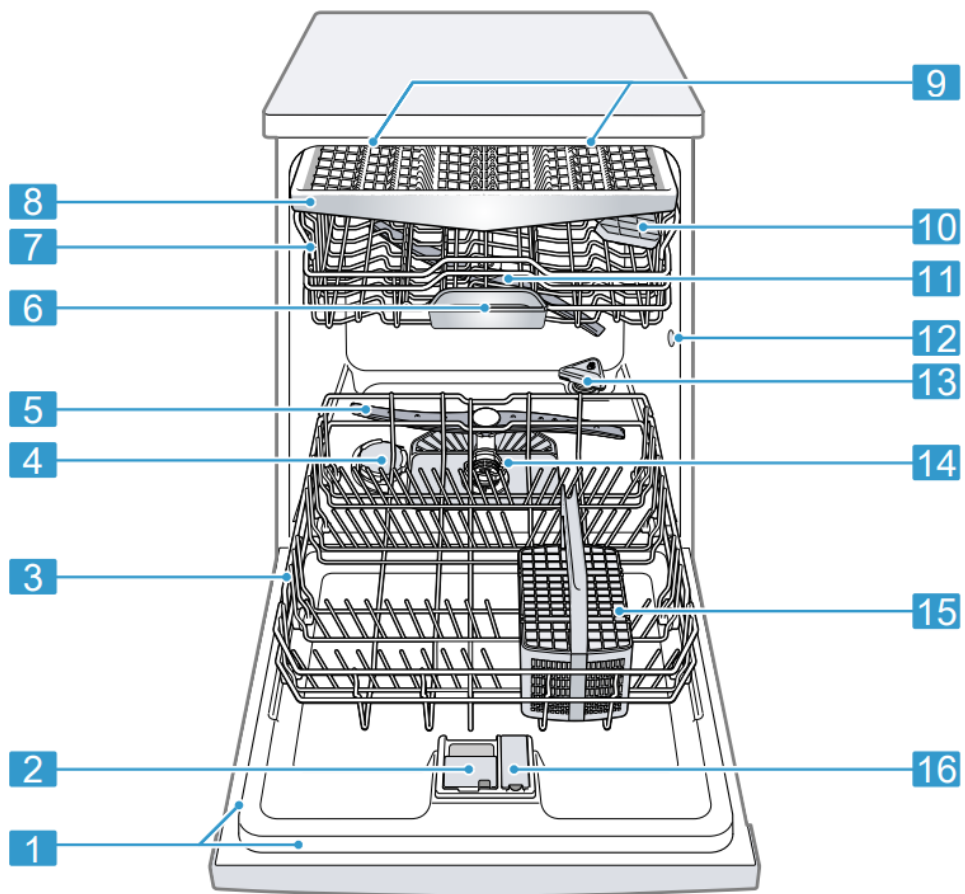
- ▶ Activate the electric childproof lock and close the appliance door.

### Familiarising yourself with your appliance

Familiarise yourself with the parts of your appliance.

#### Appliance

You can find an overview of the parts of your appliance here.



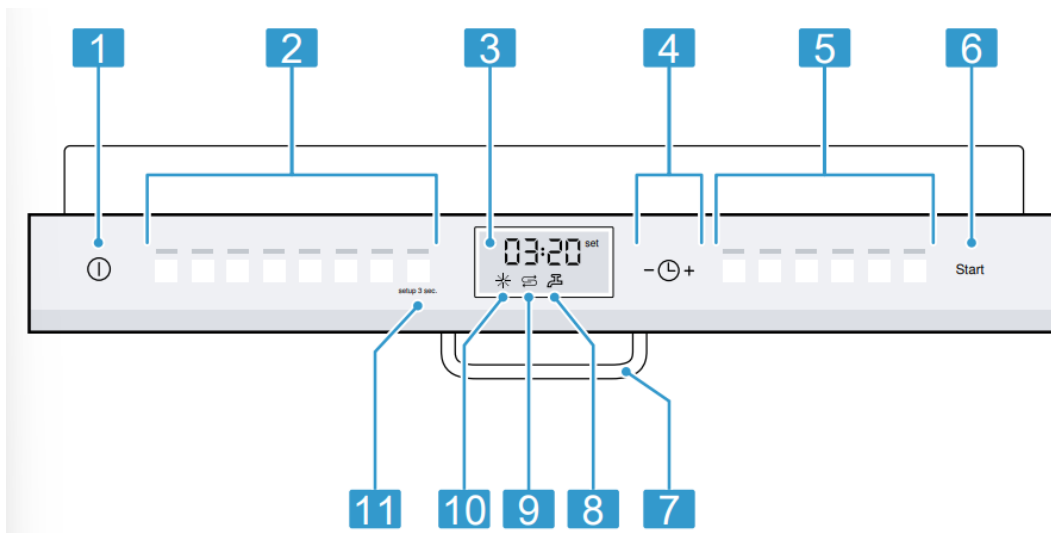
	Rating plate	Rating plate with "E number and FD number" The data you need for "Customer Service"
	Detergent dispenser	"Detergent" → Page 32 is added to the detergent dispenser.
	Bottom basket	"Bottom basket" ^ Page 24
	Dispenser for special salt	Add special salt for the "Water softening system" ^ Page 28 to the dispenser for special salt.
	Lower spray arm	The lower spray arm washes the tableware in the bottom basket.  If the tableware has not been washed properly, clean the spray arms.  ^ " <i>Cleaning spray arms</i> ", Page 44
	Tablet collecting tray	During the wash cycle tablets automatically fall out of the detergent dispenser into the tablet collecting tray where they can fully dissolve.
	Top basket	"Top basket" ^ Page 23
	Cutlery drawer	"Cutlery drawer" ^ Page 25
	EmotionLight	Interior lighting of the appliance.  ^ " <i>Overview of basic settings</i> ", Page 39
	Etagere	"Etagere" ^ Page 26
	Upper spray arm	The upper spray arm washes the tableware in the top basket.  If the tableware has not been washed properly, clean the spray arms.

		^ "Cleaning spray arms", Page 44
	Intake opening of the Zeolith container	Cutlery basket1
	Blow opening of the Zeolith container	Dispenser for rinse aid
	Filter system	"Filter system" ^ Page 43
	Cutlery basket	"Cutlery basket" ^ Page 25
	Dispenser for rinse aid	Add rinse aid for the "Rinse aid system" ^ Page 31 to the dispenser for rinse aid.

## Controls

The controls are used to configure all functions of your appliance and to obtain information about the operating status.

With some buttons you can perform different functions.



<b>1</b>	ON/OFF button ①	"Switching on the appliance" → <i>Page 37</i> "Switching off the appliance" → <i>Page 38</i>
<b>2</b>	Programme buttons	" Programmes" → <i>Page 19</i>
<b>3</b>	Display	The display shows information about the remaining running time or the basic settings. You can change the basic settings via the display and the setting buttons. → " <i>Changing basic settings</i> ", <i>Page 41</i>
<b>4</b>	Timer programming	"Setting timer programming" → <i>Page 37</i>
<b>5</b>	Programme buttons and additional functions	"Programmes" → <i>Page 19</i> "Additional functions" → <i>Page 21</i>
<b>6</b>	Start button Start and reset button Reset 3 sec.	"Starting the programme" → <i>Page 38</i> "Terminating the programme" → <i>Page 38</i>
<b>7</b>	Door opener <sup>1</sup>	"Opening the appliance door" → <i>Page 37</i>
<b>8</b>	Water supply display	"Display for water supply lights up" → <i>Page 47</i>
<b>9</b>	Special salt refill indicator	"Water softening system" → <i>Page 28</i>
<b>10</b>	Rinse aid refill indicator	"Rinse aid system" → <i>Page 31</i>
<b>11</b>	<b>setup 3 sec.</b> button	If you press <b>setup 3 sec.</b> for approx. 3 seconds, you can open the basic settings. → " <i>Changing basic settings</i> ", <i>Page 41</i>

## Features

You can find an overview of the possible features of your appliance and how to use them here.

These features depend on the model of your appliance

### Top basket

Arrange cups and glasses in the top basket.



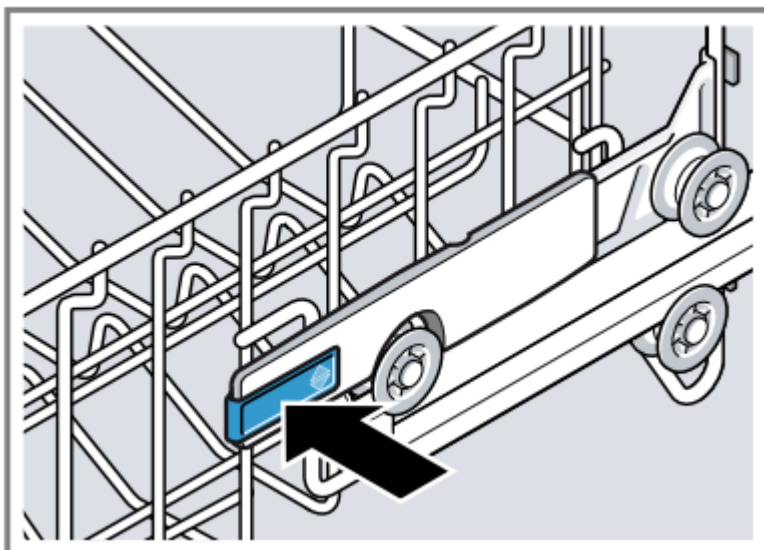
Knife shelf **a**<sup>1</sup>

You can adjust the height of the top basket to make room for larger items of tableware.

#### **Adjusting top basket with side levers**

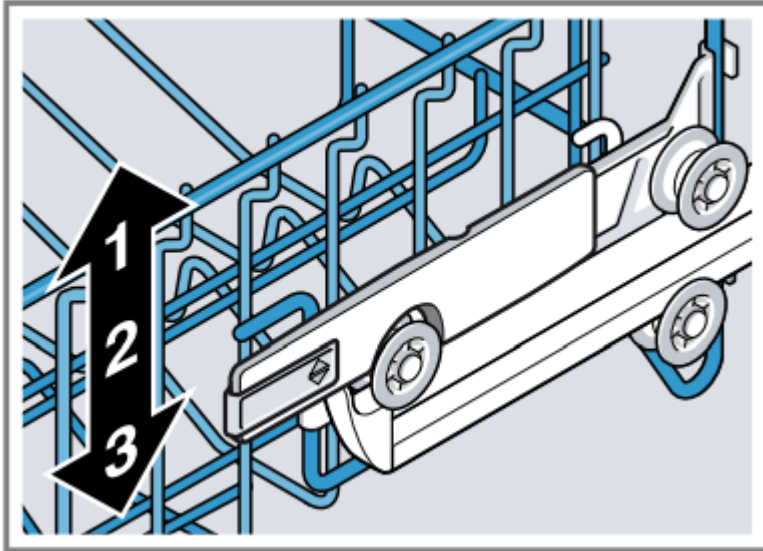
To wash large items of tableware in the baskets, adjust the shelf position of the top basket.

1. Pull out the top basket.
2. To prevent the basket from suddenly dropping down, hold the side of the basket by the top edge.
3. Press in the levers on the right and left on the outside of the basket.



The basket can then slip down slightly.

4. Raise or lower the basket evenly to the right level.



Check that the basket is level on both sides.

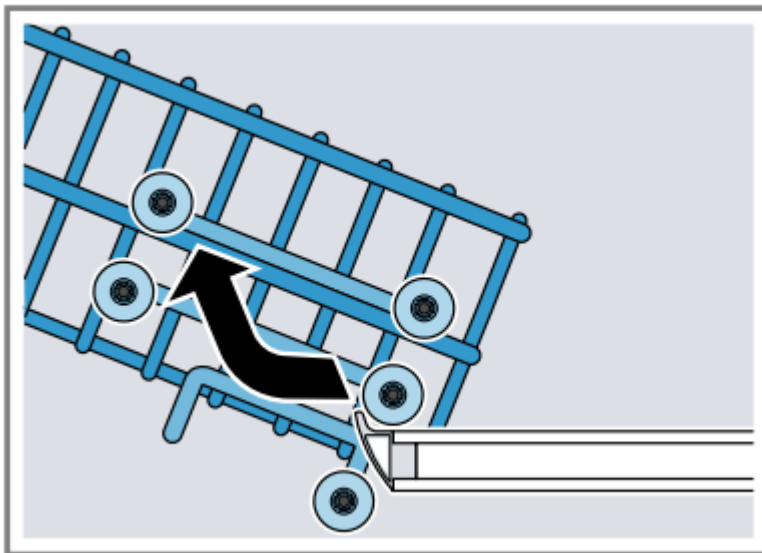
5. Slide the basket back in.

#### **Adjusting top basket with pairs of rollers**

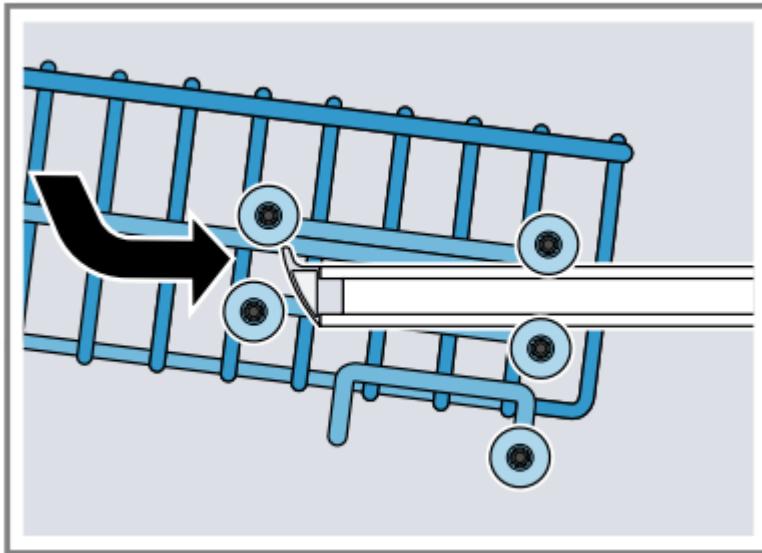
To wash large items of tableware in the baskets, adjust the shelf position of the top basket.

1. Pull out the top basket.

2. Remove the basket.



3. Insert the basket at the right basket height.

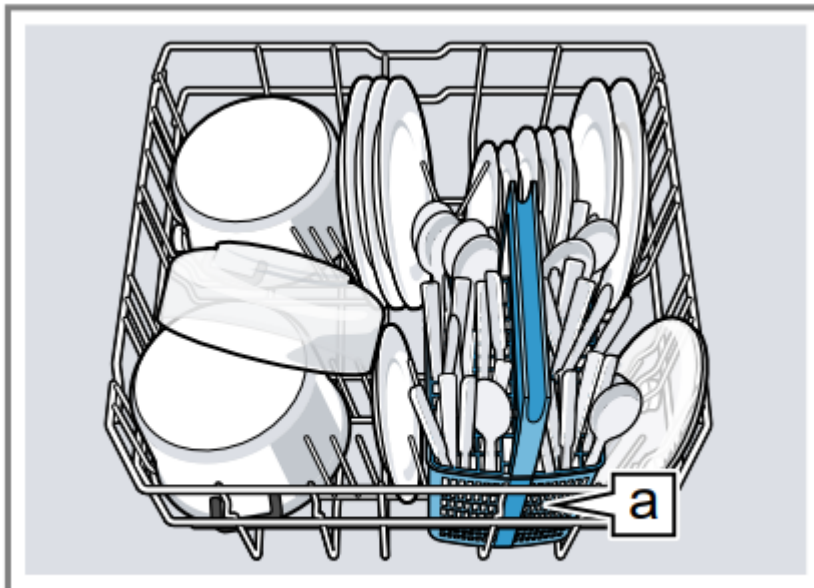


Check that the basket is level on both sides.

4. Slide the basket back in.

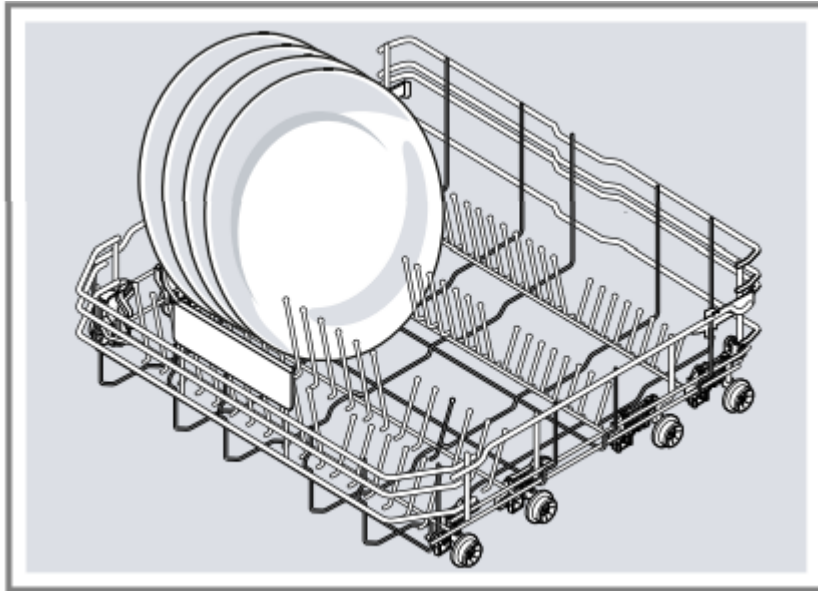
### Bottom basket

Arrange pans and plates in the bottom basket.



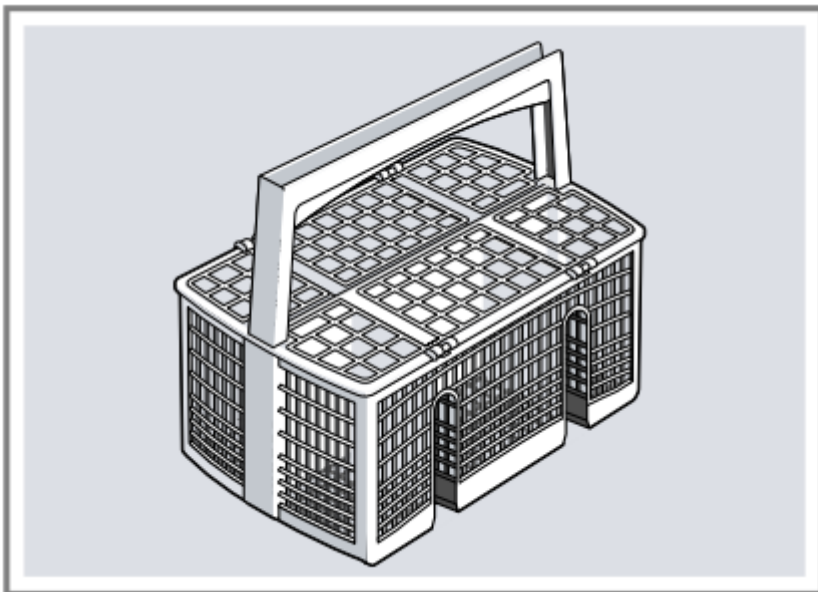
Cutlery basket [a]<sup>1</sup>

Large plates up to a diameter of 31/34 cm<sup>1</sup> can be arranged as shown.



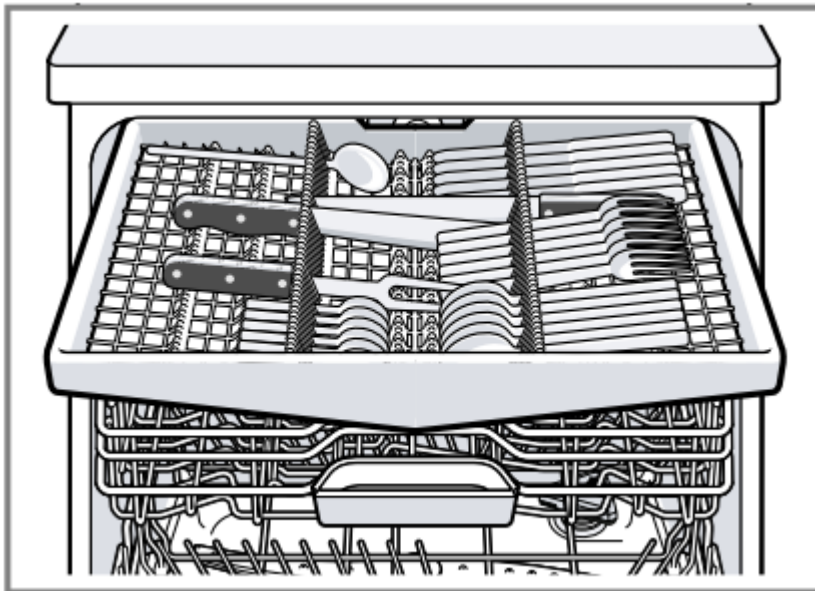
### **Cutlery basket**

Arrange cutlery in the cutlery basket, always without sorting it and with the sharp points downwards.



### **Cutlery drawer**

Arrange cutlery in the cutlery drawer.



Arrange cutlery with the points and sharp edges downwards.

You can reorganise the cutlery drawer to make more space for longer/wider items of cutlery.

### **Reorganising cutlery drawer**

You can fold down the side shelves and front prongs to make more space for longer/wider items of cutlery.

1. To fold down a side shelf, push the lever forwards

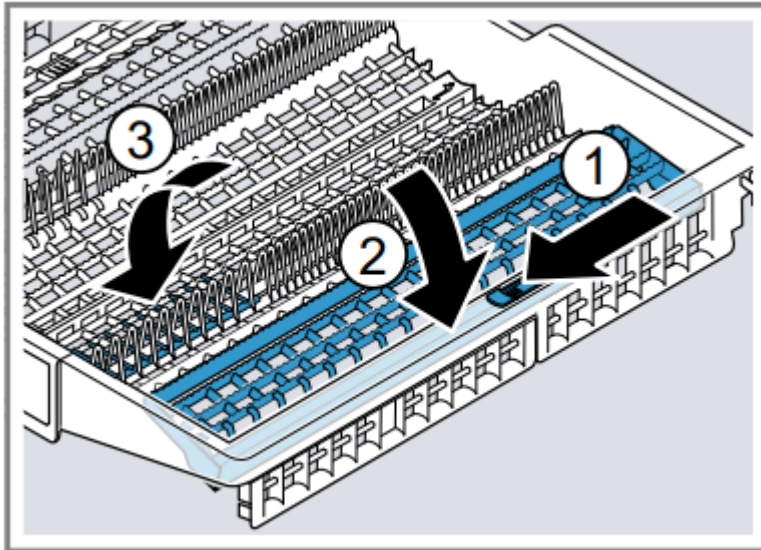
①

and fold down the side shelf

②

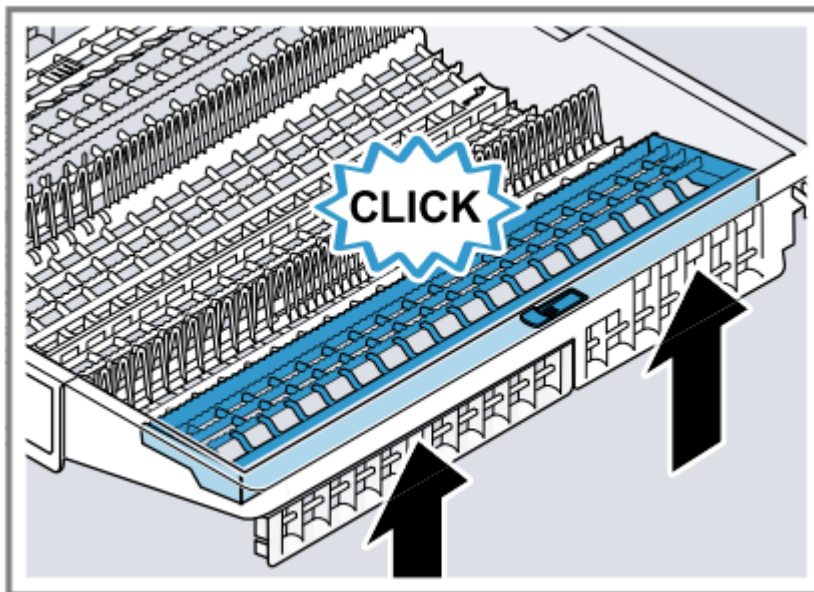
2. To fold down the front prongs, push the lever forwards and fold down the prongs

③



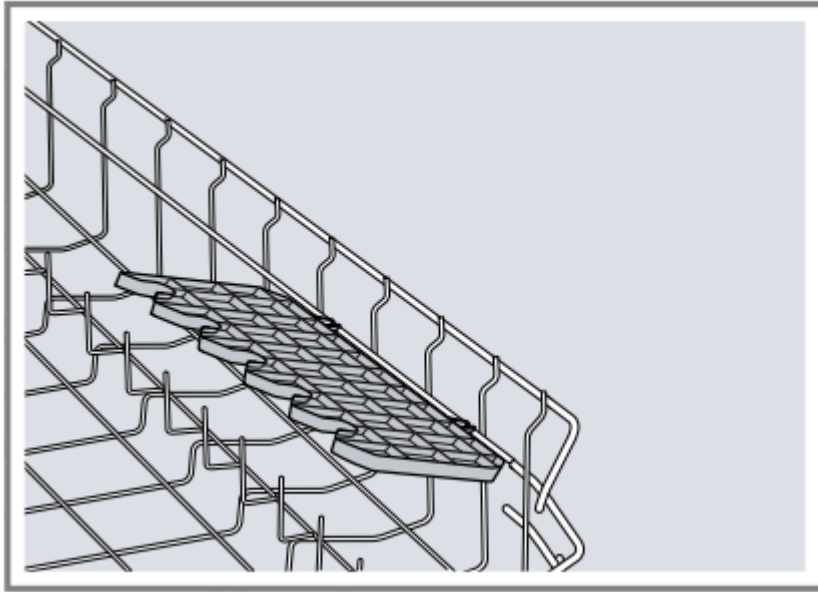
### Tip

If you want to return the cutlery drawer to the original position, fold the side shelf back up until it clicks into position.



### Etagere

Use the etagere and space underneath for small cups and glasses or for large items of cutlery, e.g. wooden spoons or serving cutlery.



You can adjust the height of the etagere.

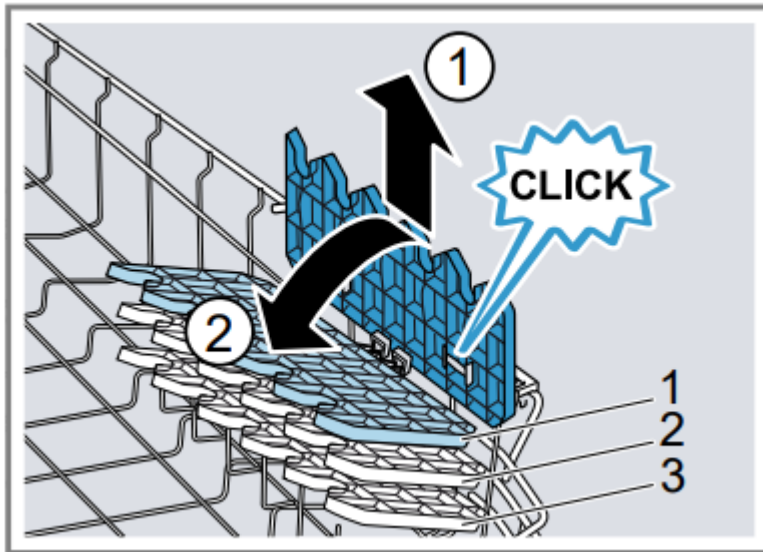
If you do not need the etagere, you can fold it up.

### Adjusting etagere

You can adjust the height of the etagere.

1. Position the etagere vertically and pull it upwards

①



2. Position the etagere at a slight angle and move to the right height

②

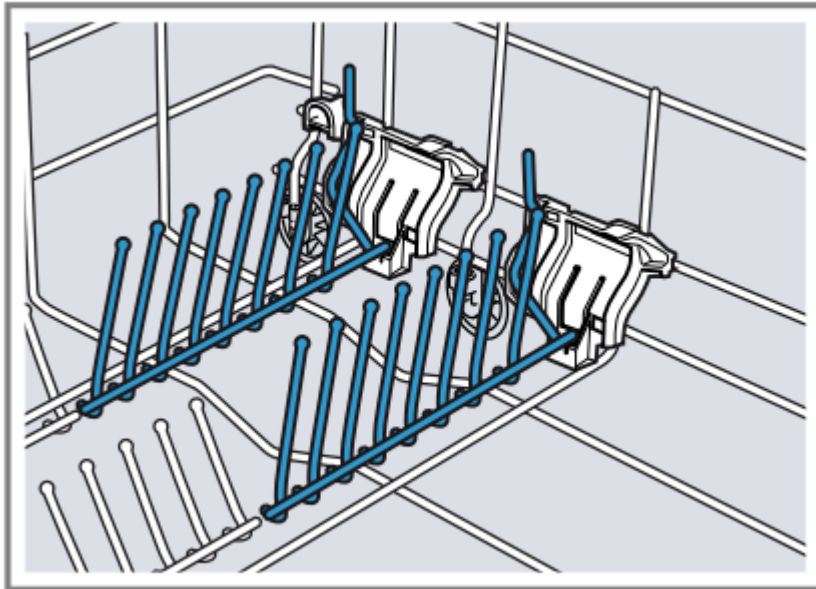
3. Push the etagere down.

a The etagere clicks into position.

\* Depending on the appliance specifications

### Folding prongs

Use the folding prongs to position tableware securely, e.g. plates



You can fold the prongs down to position pans, bowls and glasses better

### Folding down prongs

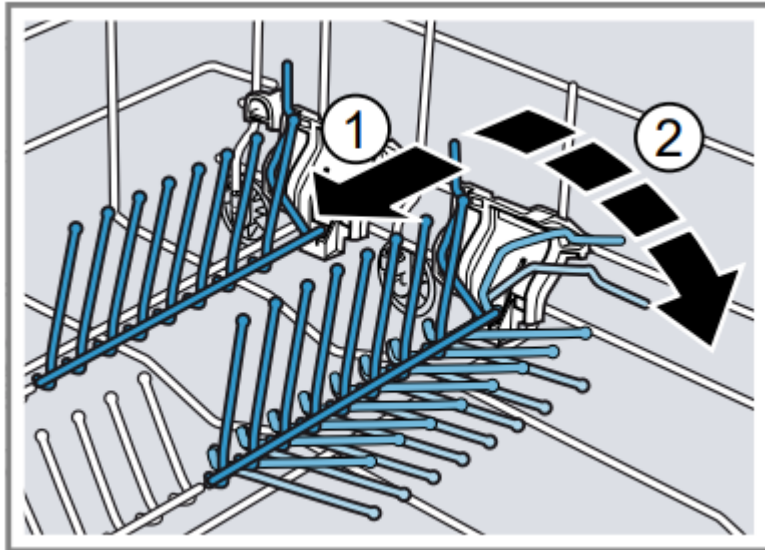
If you do not need the prongs, fold them down.

1. Push the lever forwards



and 2 fold down the prongs



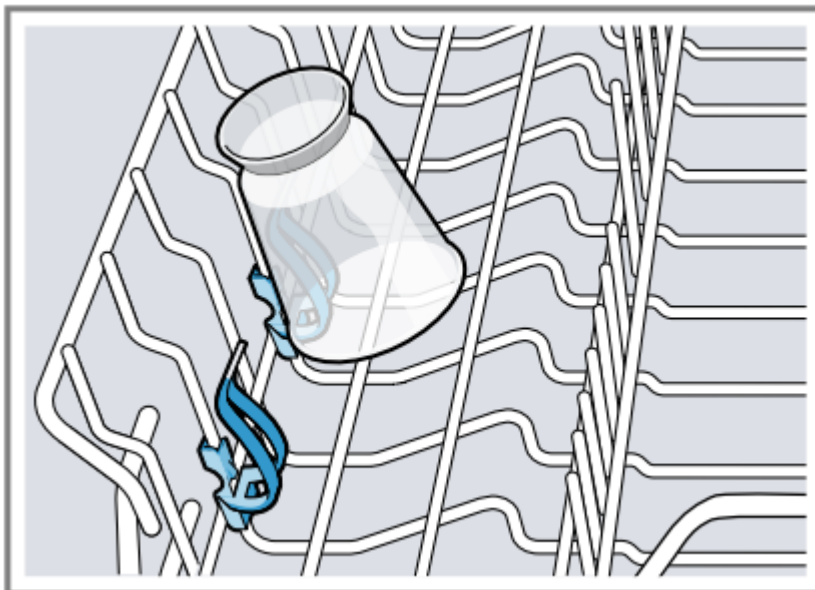


2. To use the folding prongs again, fold them back up.

The folding prongs click in position.

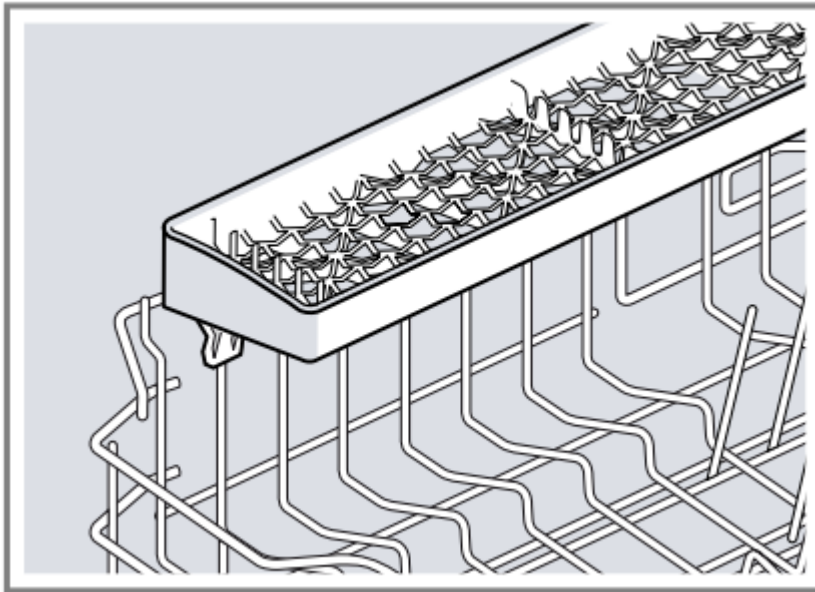
### **Small items holder**

Use the small items holder to position small items of tableware, e.g. light plastic parts.



### **Knife shelf**

Use the knife shelf for long, sharp objects and long items of cutlery.



## Basket heights

Set the baskets at the right height.

### Appliance height 81.5 cm with cutlery basket

Level	Top basket	Bottom basket
1 max. 0	22 cm	31 cm
2 max. 0	24.5 cm	27.5 cm
3 max. 0	27 cm	25 cm

### Appliance height 81.5 cm with cutlery drawer

Level	Top basket	Bottom basket
1 max. 0	16 cm	31 cm
2 max. 0	18.5 cm	27.5 cm
3 max. 0	21 cm	25 cm

### Appliance height 86.5 cm with cutlery basket

Level	Top basket	Bottom basket
1 max. 0	24 cm	34 cm
2 max. 0	26.5 cm	30.5 cm
3 max. 0	29 cm	28 cm

### Appliance height 86.5 cm with cutlery drawer

Level	Top basket	Bottom basket
1 max. 0	18 cm	34 cm
2 max. 0	20.5 cm	30.5 cm
3 max. 0	23 cm	28 cm

## Before using for the first time

Configure the settings for initial startup.

### Performing initial start-up

On initial start-up or after a reset to the factory settings, you will need to make settings.

**Requirement:** "The appliance has been installed and connected."

<sup>^</sup> Page 14

1. "Add special salt." <sup>^</sup> Page 29
2. "Add rinse aid." <sup>^</sup> Page 31
3. "Switch on the appliance." <sup>^</sup> Page 37
4. "Set the water softening system." <sup>^</sup> Page 29
5. "Set the amount of rinse aid to be dispensed." <sup>^</sup> Page 31

**Tip:** You can change these settings and other "Basic settings"

^ Page 39 at any time.

## Water softening system

Hard water leaves limescale on the tub and tableware and parts of the appliance may become blocked.

To ensure good dishwashing results, you can treat the water with special salt and the water softening system. To avoid damage to the appliance, water with a hardness above 9 °E must be softened.

### Overview of water hardness settings

You can find an overview of the water hardness values that can be selected here.

You can find out how hard your water is from your local water company or by using a water hardness tester.

Water hardness °E	Hardness range	mmol/l	Setting value
0 - 8	Soft	0 - 1.1	H:00
9 - 10	Soft	1.2 - 1.4	H:01
11 - 12	Medium	1.5 - 1.8	H:02
13 - 15	Medium	1.9 - 2.1	H:03
16 - 20	Medium	2.2 - 2.9	H:04
21 - 26	Hard	3.0 - 3.7	H:05
27 - 38	Hard	3.8 - 5.4	H:06
39 - 62	Hard	5.5 - 8.9	H:07

**Note:** Set the water hardness determined on your appliance.

With a water hardness of 0 - 8 °E you can dispense with special salt and switch off the water softening system.

## Setting water softening system

Set the water hardness on your appliance.

1. Determine the water hardness and the appropriate setting value.

^ "Overview of water hardness set-tings", Page 28

2. Press



3. To open the basic settings, press

**setup 3 sec.**

for 3 seconds.

**a** The display shows H:xx. **a** The display shows

**set.**

.

4. Press — or + repeatedly until the right water hardness has been set.

The value H:04 is set at the factory.

5. To save the settings, press

**setup 3 sec.**

for 3 seconds.

## Special salt

You can use special salt to soften water.

### Adding special salt

If the special salt refill indicator lights up, add special salt to the dispenser for special salt just before the programme starts. The amount of special salt required depends on the water hardness: the higher the water hardness, the greater the amount of special salt required.

### ATTENTION!

- Detergent may damage the water softening system.
- ▶ Only fill the dispenser of the water softening system with special dishwasher salt.
- Special salt can damage the tub due to corrosion.

► To make sure that any special salt that escapes is washed out of the tub, add the special salt to the dispenser for special salt immediately before the programme starts.

1. Unscrew the lid of the dispenser for special salt and remove.

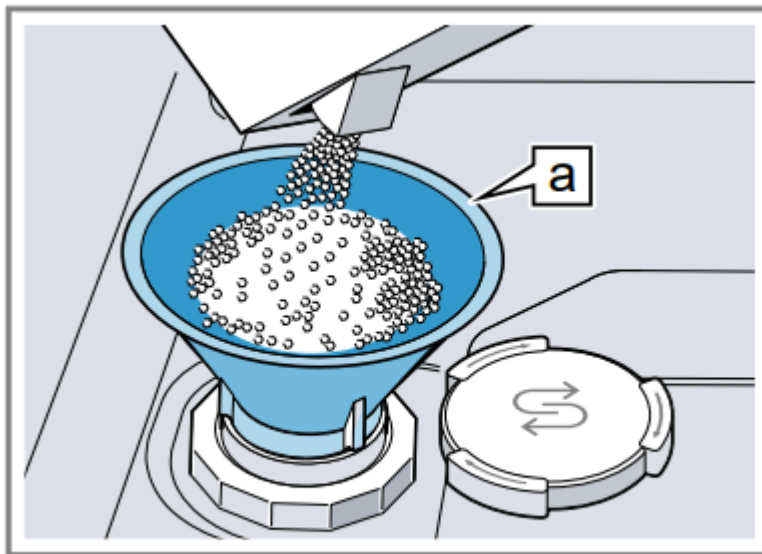
2. On initial start-up: Fill the dispenser right up with water.

3. **Note:** Only use special salt for dishwashers.

Do not use salt tablets.

Do not use table salt.

Add the special salt to the dispenser.



Funnel a<sup>1</sup>

Fill the dispenser right up with special salt. The water in the dispenser is displaced and forced out.

4. Place the lid back on the dispenser and turn to close.

## Switching off water softening system

### Note

To avoid damage to the appliance, only switch off the water softening system in the following cases:

- The water hardness is max. 26 °E and you are using combined detergents with salt replacement substances. According to manufacturers, combined detergents with salt replacement substances can generally only be used up to a water hardness of 26 °E without adding special salt.
- The water hardness is 0 - 8 °E.

You do not need to use special salt.

1. Press



2. To open the basic settings, press

**setup 3 sec.**

for 3 seconds.

a The display shows H:xx.

a The display shows

**set.**

3. Press — or + repeatedly until the display shows H:00.

4. To save the settings, press

**setup 3 sec.**

for 3 seconds.

a The water softening system is switched off and the salt refill indicator is deactivated.

## **Regeneration of the water softening system**

In order to obtain fault-free function of the water softening system, the appliance performs reheating of the water softening system at regular intervals. Regeneration of the water softening system takes place before the end of the main rinse cycle in all programmes. It will increase the run time and consumption values, e.g. water and electricity.

### **Overview of consumption values with regeneration the water softening system**

Here you can find an overview of the maximum additional running time and consumption values during regeneration of the water softening system.

You can find the column applicable to your model in the quick reference guide according to its water consumption in the Eco 50° programme.

Water consumption in litres (depending on model)	Regeneration of the water softening system after x rinse cycles	Additional running time in minutes	Additional water consumption in litres	Additional power consumption in kWh
6.5 / 6.7	8	7	5	0.05
7.5 / 7.7	7	7	5	0.05
9.5	6	7	5	0.05
above 10.5	5	7	5	0.05

The consumption values specified are laboratory measurements determined in accordance with the currently applicable standard and using the Eco 50° programme and the factory value of the water hardness is set to 16 - 20°E.

## Rinse aid system

You can use the rinse aid system and rinse aid to get tableware and glasses rinsed perfectly without marks.

### Rinse aid

For optimum drying results, use rinse aid.

Only use rinse aid for domestic dishwashers.

### Adding rinse aid

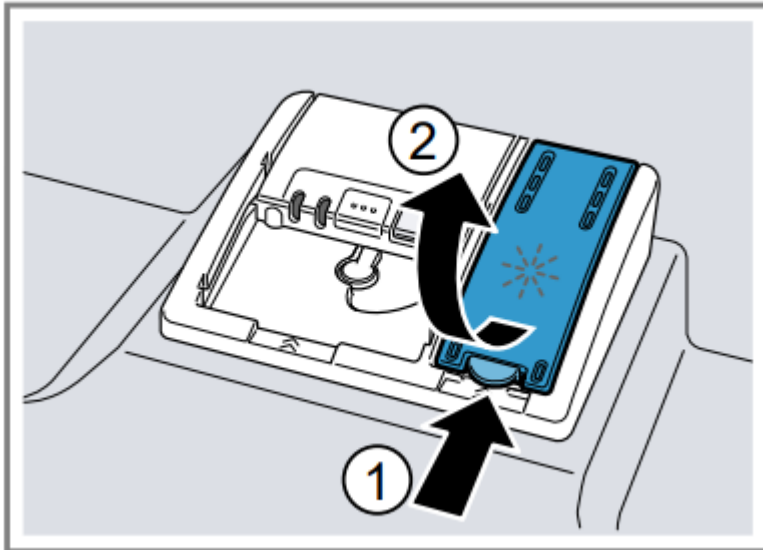
If the rinse aid refill indicator lights up, top up with rinse aid. Only use rinse aid for domestic dishwashers.

**1.** Press the catch on the lid of the dispenser for rinse aid

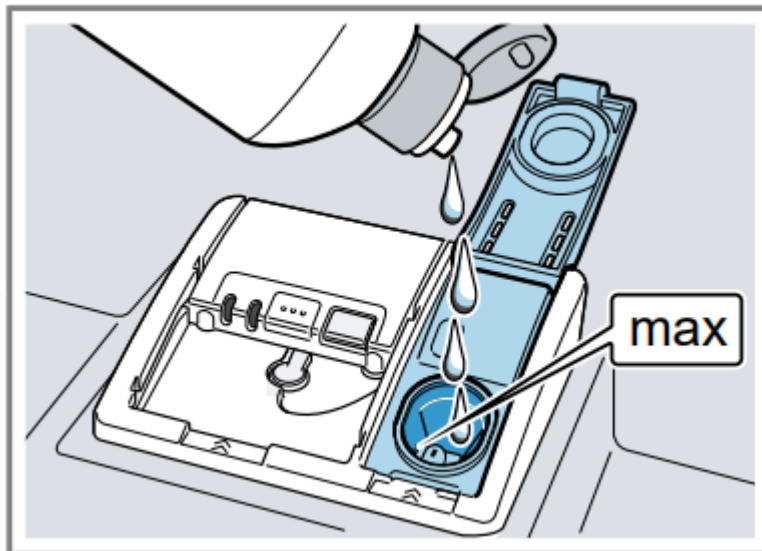
①

and lift

②



2. Add rinse aid up to the max mark.



3. If rinse aid spills out, remove it from the tub.

Spilled rinse aid can cause excessive frothing during the wash cycle.

4. Close the lid of the dispenser for rinse aid.

a The lid clicks into position.

### Setting the amount of rinse aid

If there are streaks or water marks on tableware, change the amount of rinse aid.

2. To open the basic settings, press

**setup 3 sec.**

for 3 seconds.

**a** The display shows H:xx.

**a** The display shows

**set.**

3. Press

**setup 3 sec.**

repeatedly until the display shows the value set at the factory r:05.

4. Press or repeatedly until the right amount of rinse aid has been set.

The value r:05 is set at the factory. – A low setting adds less rinse aid during the wash cycle and reduces streaking on tableware.

A higher setting adds more rinse aid during the wash cycle, reduces water marks and improves the drying result.

5. To save the settings, press

**setup 3 sec.**

for 3 seconds.

## Switching rinse aid system off

If you find the rinse aid refill indicator irritating, e.g. when using combined detergents with a rinse aid component, you can switch the rinse aid system off.

**Tip:** unction of rinse aid is limited with combined detergents. You will generally get better results using rinse aid.

2. To open the basic settings, press

**setup 3 sec.**

for 3 seconds.

**a** The display shows H:xx.

**a** The display shows

**set.**

3. Press

**setup 3 sec.**

repeatedly until the display shows the value set at the factory r:05.

4. Press — or + repeatedly until the display shows r:00.

5. To save the settings, press

**setup 3 sec.**

for 3 seconds.

**a** The rinse aid system is switched off and the rinse aid refill indicator is deactivated.

## Detergent

Find out which detergents are suitable for your appliance.

### Suitable detergents

Only use detergents that are suitable for dishwashers. Both separate and combined detergents are suitable.

For optimum washing and drying results, use separate detergent, adding "Special salt" <sup>^</sup> *Page 29* and "Rinse aid" <sup>^</sup> *Page 31* separately.

Modern, powerful detergents mainly use a low-alkaline formulation with enzymes. Enzymes break down starch and remove protein. Oxygen-based bleaching agents are generally used to remove coloured marks, e.g. tea or ketchup.

**Note:** Follow the manufacturer's instructions for each detergent.

<b>Detergent</b>	<b>Description</b>
<p>Tabs</p>	<p>Tabs are suitable for all cleaning functions and do not need to be measured out.</p> <p>With shorter Programmes tabs sometimes do not dissolve entirely and leave residues of detergent. This may impair the cleaning effect.</p>
<p>Powder detergent</p>	<p>Powder detergent is recommended for shorter Programmes.</p> <p>The dosage can be adjusted to the level of soiling.</p>

<b>Detergent</b>	<b>Description</b>
<p>Liquid detergent</p>	<p>Liquid detergent works faster and is recommended for shorter Programmes without PreRinse.</p> <p>Sometimes liquid detergent may leak out despite the detergent dispenser being closed. This is not a fault and is non-critical if you remember the following:</p> <ul style="list-style-type: none"> <li>■ Only choose a programme without PreRinse.</li> <li>■ Do not select timer programming for starting the programme.</li> </ul> <p>The dosage can be adjusted to the level of soiling.</p>

**Tip:** Suitable detergents are available online via our website or from "Customer Services" ^ Page 58.



## Separate detergents

Separate detergents are products that do not contain components other than detergent, e.g. powder detergent or liquid detergent.

With powder and liquid detergent the dosage can be individually adjusted to the level of soiling of the tableware.

For better washing and drying results and to avoid damage to the appliance, please additionally use "Spe-cial salt" ^ Page 29 and "Rinse aid"

^ Page 31.

## Combined detergent

Besides conventional separate detergents, a number of products are available with additional functions. These products contain not only detergent but also rinse aid and salt replacement substances (3in1) and, depending on the combination (4in1, 5in1, ...), additional components such as glass protection or stainless steel cleaner.

According to manufacturers, combined detergents generally only function up to a water hardness of 26 °E. With a water hardness above 26 °E you will need to add special salt and rinse aid. For the best washing and drying results we recommend using special salt and rinse aid from a water hardness of 17 °E. If you are using combined detergent, the washing programme is adjusted automatically to ensure the best possible washing and drying result.

## Unsuitable detergents

Do not use detergent which could cause damage to the appliance or present a risk to health.

Detergent	Description
Hand washing-up liquid	Hand washing-up liquid can cause increased frothing and damage the appliance.
Detergent con-taining chlorine	Chlorine residue on table-ware may present a risk to health.

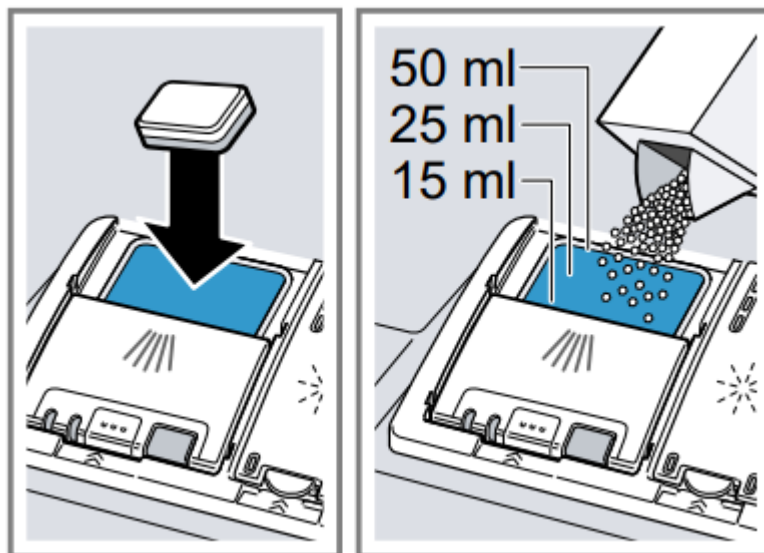
## Information on detergents

Follow the instructions on detergents in everyday use.

- Detergents marked as "organic" or "ecological" (environmentally friendly) generally contain lower levels of active agents or completely dispense with certain substances. The cleaning effect may be restricted here.
- Set the rinse aid and the water softening system to the separate detergent or combined detergent in use.
- According to manufacturers, combined detergents with salt replacement substances can only be used up to a certain water hardness, usually 26 °E, without adding special salt. For the best washing and drying results we recommend using special salt from a water hardness of 17 °E.
- To prevent sticking, only touch detergents in a water-soluble pouch with dry hands and only ever place them in a dry detergent dispenser.
- Even if the rinse aid and special salt refill indicators light up, washing programmes will run properly with combined detergents.
- The function of rinse aid is limited with combined detergents. You will generally get better results using rinse aid.
- Use tablets with a special drying performance.

## Adding detergent

1. To open the detergent dispenser, press the locking latch.
2. Add the detergent to the dry detergent dispenser.

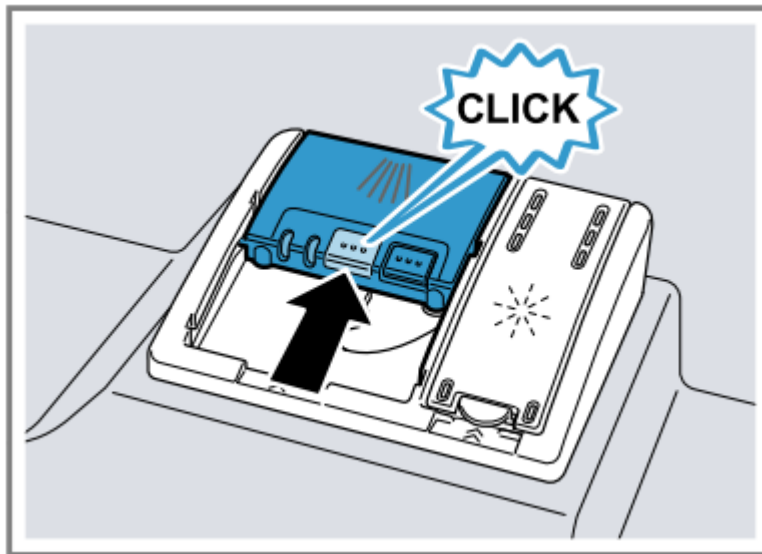


If you are using tablets, one is enough. Insert the tablets in a horizontal position.

If you are using powder or liquid detergent, follow the manufacturer's instructions and quantities for dosage in the detergent dispenser.

20 ml - 25 ml detergent is sufficient for normal soiling. If tableware is only lightly soiled, slightly less than the amount of detergent specified is usually sufficient.

3. Close the lid of the detergent dispenser.



- The lid clicks into position.
- The detergent dispenser will open automatically at the optimum time during the programme. Powder or liquid detergent will spread around the washing tank and dissolve there. Tablets will fall into the tablet collecting tray and dissolve in the right dosage. In order to ensure that tablets can dissolve evenly, do not place any other objects in the tablet collecting tray.

## Basic operation

### Opening appliance door

1. If the electric childproof lock is not activated, press on the upper middle section of the appliance door.
2. If the electric childproof lock is activated, press on the upper middle section of the appliance door twice with a short interval in between.
  - a The appliance door will open automatically.

### Switching on the appliance

- ▶ Press



The Eco 50° programme is set by default.

The Eco 50° programme is an especially environmentally friendly programme and ideal for normally soiled tableware. It is the most effi-

cient programme for the combination of energy/water consumption for this type of tableware and evidences conformity with the EU Ecodesign Directive.

If you do not perform any actions on the appliance for 15 minutes, the appliance will automatically switch off.

## Setting a programme

To adjust the wash cycle to the soiling level of the tableware, select a suitable programme.

▶ Press the right programme button. ^ *"Programmes", Page 19*

a The programme is set and the programme button flashes.

## Setting additional functions

You can set additional functions to complete the washing programme selected.

**Note:** The additional functions which can be used depend on the programme selected.

^ *"Programmes", Page 19*

▶ Press the button for the relevant additional function.

^ *"Additional functions", Page 21* a The additional function is set and the additional function button flashes.

## Setting timer programming

You can delay the start of the programme by up to 24 hours.

1. Press

— 🕒 or + 🕒.

.

a "00h:00m" appears on the display.

2. Use

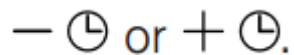
— 🕒 or + 🕒.

to set the required start time for the programme.

3. Press Start.

**a** This activates time preselection.

**Tip:** To deactivate timer programming, press



repeatedly until "00h:00m" appears in the display.

## Starting the programme

► Press Start.

**a** The programme has ended when the display shows "00h:00m".

### Notes

■ If you want to add more tableware while the appliance is running, do not use the tablet collecting tray as a handle for the top basket. You might touch the partially dissolved tablet.

■ You can only change a programme when running if you cancel it.

^ "Terminate programme",

Page 38

■ The appliance switches off automatically 1 minute after the end of the programme to save energy. If you open the appliance door immediately after the programme has ended, the appliance will switch off after 4 seconds.

## Interrupting programme

**Note:** When you open the appliance door once the appliance has heated up, leave the door slightly ajar for a few minutes and then close it. This will help prevent excess pressure building up in the appliance and stop the appliance door bursting open.

1. Press



.

**a** The programme is saved and the appliance switches off.

2. Press



to resume the programme.

## Terminate programme

To end a programme early or to switch from a programme that has already started, you will need to cancel it first.

1. Open the appliance door.
2. Press Reset 3 sec. for approx.  
3 seconds.
3. Close the appliance door.

**a** The programme is cancelled and ends after approx. 1 minute.

## Switching off appliance

1. Please note the information on "Safe use" ^ *Page 11*.
2. Press



.

3. To prevent damage from dripping water, turn the water tap off tight (not applicable to appliances with Aqua-Stop).

**Tip:** If you press




during the wash cycle, the programme currently running will be interrupted. When you switch the appliance back on, the programme continues automatically.

## Basic settings

You can configure the appliance to meet your needs.

### Overview of basic settings

The basic settings depend on the features of your appliance.

Basic setting	Display text	Selection	Description
Water hardness	H:04 1	H:00 - H:07	Set the water softening system to your water hardness. ^ <i>"Setting water softening system", Page 29</i> Level H:00 switches the water softening system off.
Rinse aid dispensing	LO O	CD O O o	Set the amount of rinse aid to be dispensed. ^ <i>"Setting the amount of rinse aid", Page 31</i> Switch the rinse aid system off with level r:00.
Sensor setting	SE:00 1	SE:00 - SE:02	Set the water sensor for identifying soiling. ^ <i>"Sensors", Page 13</i>
Extra Dry	d:00 1	d:00 - d:01	The temperature is increased during the final rinse, which improves the drying result. This may increase the run time slightly. <b>Note:</b> Not suitable for delicate items of tableware. Switch Extra Dry on "d:01" or off "d:00".
Hot water	A:00 1	A:00 - A:01	Set cold water or hot water connection. Only set the appliance to hot water if this can be prepared with little energy and a suitable installation is available, e.g. solar heating system with circulation line. The water temperature should be at least 40 °C and max. 60 °C. Switch hot water on "A:01" or off "A:00".
EmotionLight	E:01 1	E:00 - E:01	Interior light. ■ With the setting "E:00"m the interior light is switched off. ■ With the setting "E:01", the interior light can be activated via the ON/OFF  

			<p>button.</p> <p>When the appliance door is opened, the interior lighting switches off automatically after 15 minutes.</p>
TimeLight	S:01 1	S:00 - S:01	<p>Switch TimeLight on or off.</p> <p>While the programme is running, status information is projected onto the floor below the appliance door relating to timer programming, the programme or the time remaining. If the base panel is pulled forwards or if the appliance is installed at eye level with the cabinet front fitted flush, the display is not visible.</p> <p>Level "S:00" switches TimeLight off.</p>
InfoLight	I:01 1	I:00 - I:01	<p>Switch InfoLight on or off.</p> <p>While the programme is running, a spot of light is projected onto the floor below the appliance door. This light will not be visible if the appliance is installed at eye level with the cabinet front fitted flush. If the appliance door is not completely closed, the spot of light will flash. The programme has ended when the spot of light is no longer visible on the floor. Level "I:00" switches InfoLightoff.</p>
Start programme	SP:01 1	SP:00 - SP:01	<p>Set a default programme for when the appliance is switched on.</p> <ul style="list-style-type: none"> <li>■ With the setting "SP:00", the last programme selected is set by default for when the appliance is switched on.</li> <li>■ With the setting "SP:01", the Eco 50° programme is set by default for when the appliance is switched on.</li> </ul>
Tone volume	SL:02 1	SL:00 -SL:03	<p>Adjustment of tone volume.</p> <p>End of programme indicated by an audible signal tone.</p> <p>Level "SL:00" switches the signal tone off.</p>
Button volume	bl:02 1	bl:00 - bl:03	<p>Set the button volume during operation. Level "bl:00" switches the button tones off.</p>

Childproof lock	c:00 1	c:00 - c:01	Switch the ^ " <i>Electric childproof lock</i> ", <i>Page 12</i> on or off. Level "c:00" switches the childproof lock off.
Factory setting	rE	Start with + Y:ES Confirm with +	Restore changed settings to the factory settings. The settings for initial start-up must be configured.

## Changing basic settings

1. Open the appliance door.
2. To open the basic settings, press

**setup 3 sec.**

for 3 seconds.

**a** The display shows H:xx.

**a** The display shows

**set.**

3. Press

**setup 3 sec.**

repeatedly until the display shows the value set at the factory r:05.

4. Press **muaiia** repeatedly until the display shows the required setting.

5. Press **—** or **+** repeatedly until the display shows the right value. You can change several settings.

6. To save the settings, press

**setup 3 sec.**

for 3 seconds.

7. Close the appliance door.

## Cleaning and servicing

To keep your appliance working efficiently for a long time, it is important to clean and maintain it carefully.

### Cleaning the tub

#### **A WARNING Risk of harm to health!**

Using detergents containing chlorine may result in harm to health.

► Never use detergents containing chlorine.

1. Remove any coarse soiling in the interior with a damp cloth.
2. Add detergent to the detergent dispenser.
3. Select the programme with the highest temperature.

^ *"Programmes", Page 19*

4. "Start the programme without tableware." ^ *Page 38*

### Self-cleaning interior

To remove deposits, the appliance self-cleans the interior at regular intervals.

The programme sequence is automatically adjusted for self-cleaning, e.g. the cleaning temperature is briefly increased. Consumption values, e.g. water and electricity, may also increase.

If the interior is no longer self-cleaned adequately and deposits occur, see this information:

^ *"Cleaning the tub", Page 41.*

### Cleaning products

Only use suitable cleaning products to clean your appliance.

^ *"Safe use", Page 11*

### Tips on appliance care

Follow the tips on appliance care to make sure your appliance functions properly at all times.

#### **Action\_Benefit\_**

Wipe the door seals, This ensures the parts the front of the dish of the appliance will washer and the con- remain clean and hy-trol panel regularly us- gienic. ing a damp cloth and washing-up liquid.

If the appliance is not This will prevent ungoing to be used for a pleasant odours. while, leave the door slightly ajar.

reduce odours, we recommend cleaning your appliance at regular intervals.

Machine Care combined with commercially available machine care products is the right programme for the care of your appliance.

Run Machine Care without tableware if the indicator for Machine Care lights up on the control panel or if advised to do so by the display. Once you have run the Machine Care programme, the indicator goes out. If your appliance does not have a reminder function, follow the directions for use on the machine care products.

### **Performing Machine Care**

Run the Machine Care programme if the indicator for Machine Care lights up on the control panel or if advised to do so by the display.

### **Notes**

- Run the Machine Care programme without any tableware in the dishwasher.
  - Only use suitable machine care products specially designed for dishwashers and not dishwasher detergent. Observe the manufacturer's instructions.
  - Make sure that there are no aluminium parts in the interior of the appliance.
  - If you have not run Machine Care after 3 washing cycles, the indicator for Machine Care will go out automatically.
  - Follow the safety instructions and the directions for use on the pack-aging of the machine care products.
1. Remove any coarse soiling in the interior with a damp cloth.
  2. Clean filters.
  3. Add the machine care product to the appliance.
  4. Press



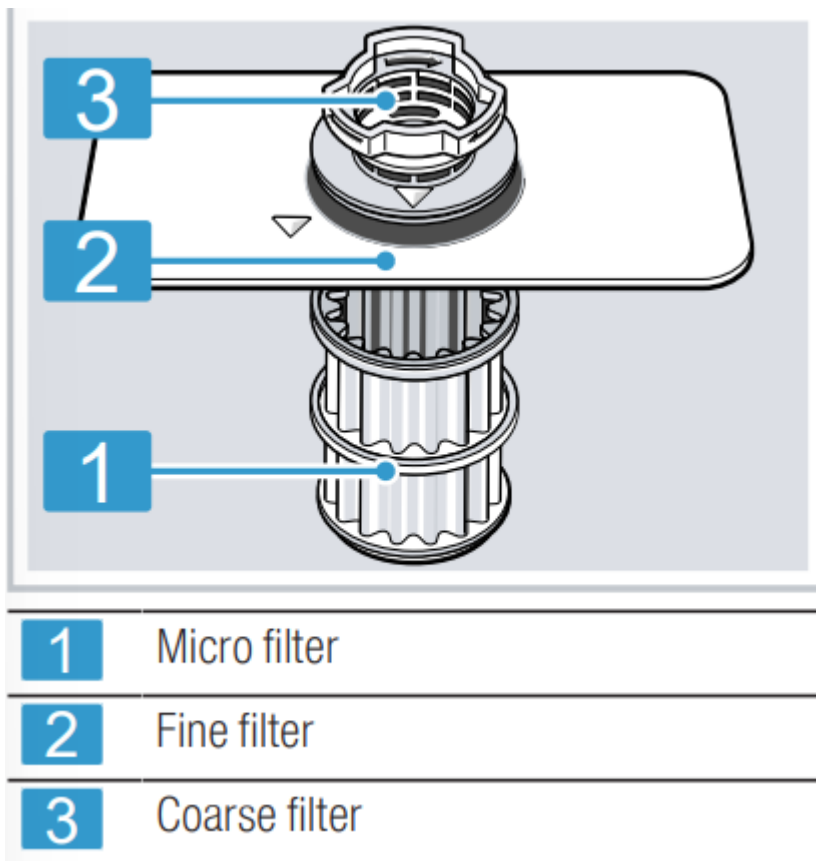
5. Press Start.

**a** The Machine Care programme is run.

**a** As soon as machine care has finished, the indicator for Machine Care goes out.

### **Filter system**

The filter system removes coarse soiling from the dishwashing cycle.



### Cleaning filters

Soiling in the dishwashing water may block the filters.

1. After each wash check the filters for residue.

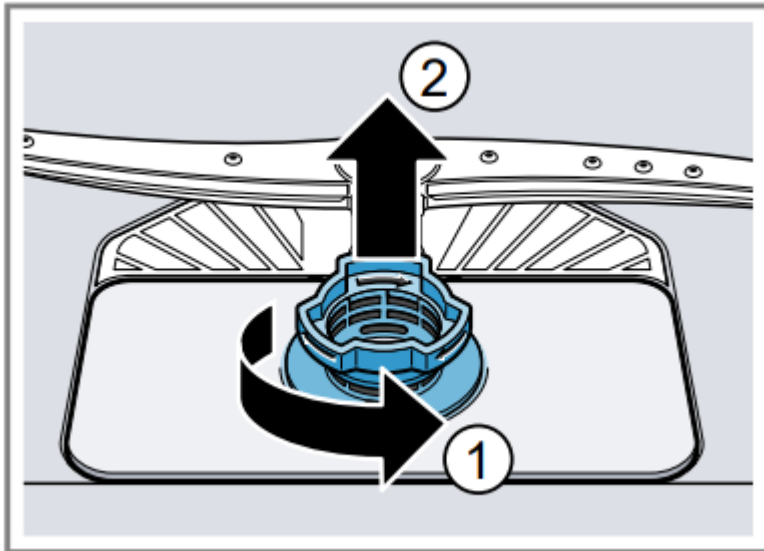
2. Turn the coarse filter anticlockwise

①

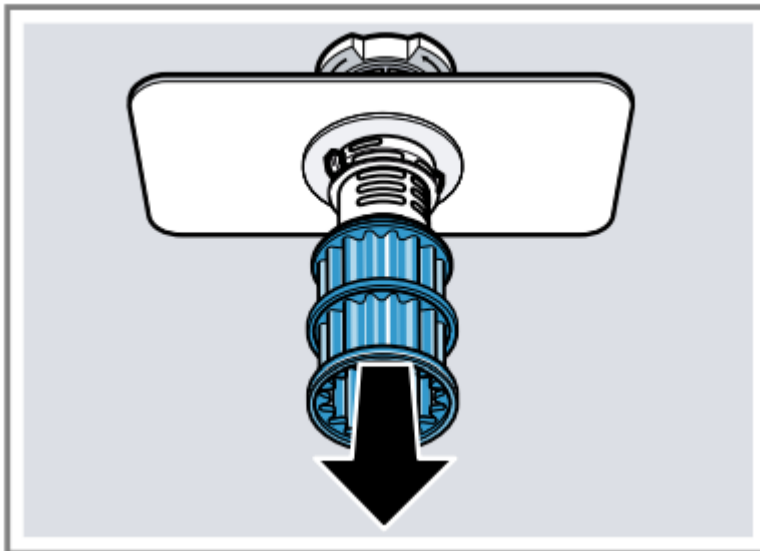
and remove the filter system

②

. Check that no foreign objects fall into the sump.



3. Pull down the micro filter to remove



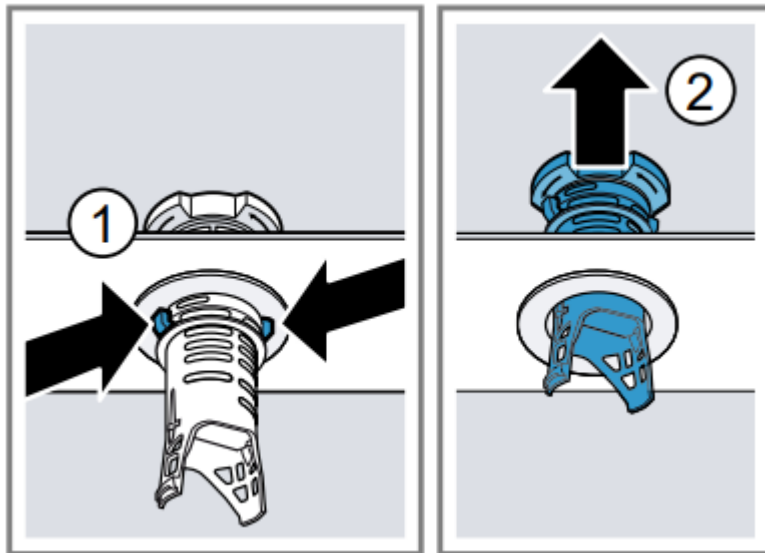
4. Press the locking catches

①

together and lift the coarse filter out

②





5. Clean the filter elements under running water.

Carefully clean the rim of dirt between the coarse and the fine filter.

6. Re-assemble the filter system.

Make sure that the locking catches on the coarse filter click into position.

7. Insert the filter system into the appliance and turn the coarse filter clockwise.

Make sure that the arrow markings match up.

### **Cleaning spray arms**

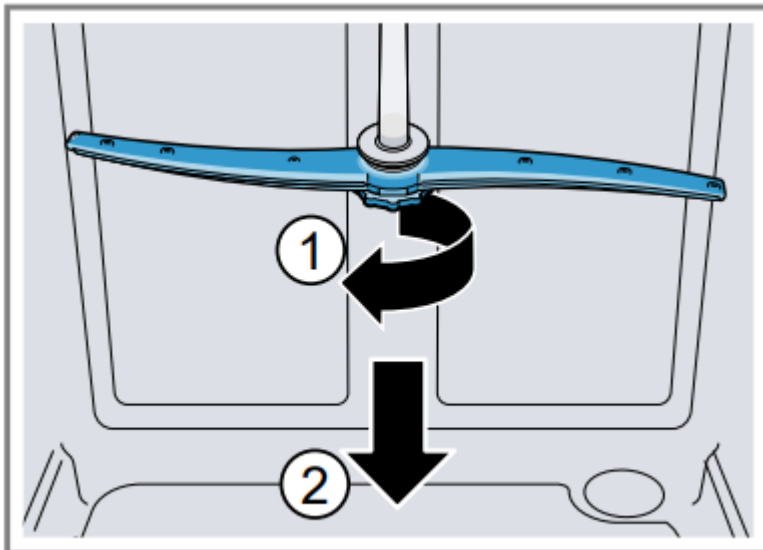
Limescale and soiling in the dishwashing water may block the nozzles and bearings on the spray arms. Clean the spray arms regularly.

1. Unscrew the upper spray arm

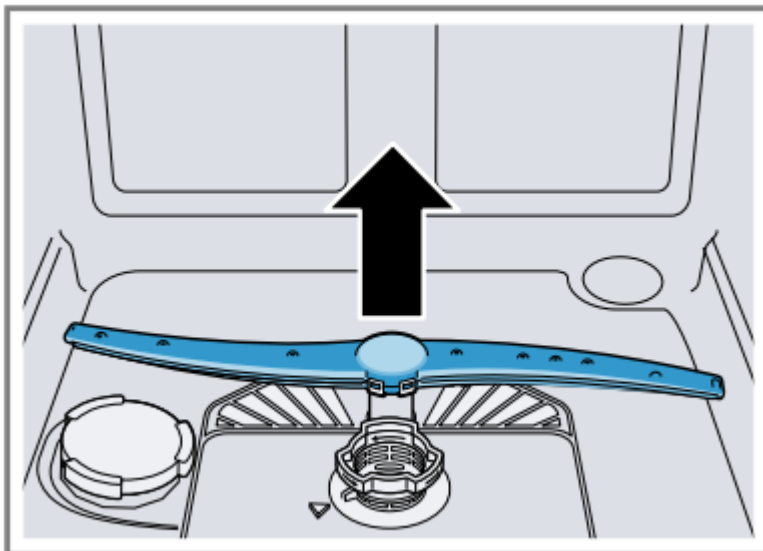
①

and pull down to remove

②



2. Pull up the lower spray arm to remove.



3. Check the outlet nozzles on the spray arms for blockages under running water and remove any foreign bodies.

4. Insert the lower spray arm.

**a** The spray arm clicks into position.

5. Insert the upper spray arm and screw it firmly in place.

## Troubleshooting

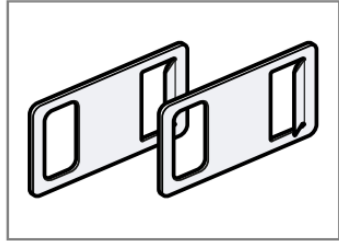
You can rectify minor faults on your appliance yourself. Read the troubleshooting information before contacting Customer Service. This will avoid unnecessary costs.

**A WARNING Risk of electric shock!**

Improper repairs are dangerous.

- ▶ Repairs to the appliance should only be carried out by trained specialist staff.
- ▶ Only use genuine spare parts when repairing the appliance.
- ▶ If the power cord of this appliance is damaged, it must be replaced with a special connection cable, which is available from the manufacturer or his Customer Service.

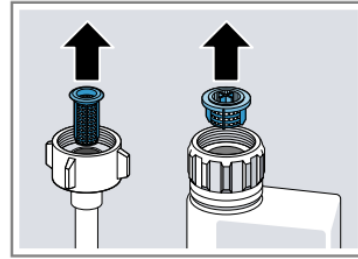
## Appliance safety

Fault	Cause	Troubleshooting
Appliance door will not open or cannot be opened easily.	Childproof lock is activated.	
Appliance door does not open.	Door is not correctly adjusted	▶ Adjust the appliance door as described in the installation instructions.
	Appliance has no power.	▶ Check the mains plug and fuses. 1. Position the emergency release supplied on the top right and left of the cabinet panel.  2. Open the appliance door by pulling lightly.
	Appliance door and door seal are soiled.	▶ Clean the appliance door and door seal with a damp cloth and a little washing-up liquid.
	Automatic door opening is not in home position.	▶ Wait one second after closing the appliance door.
Appliance door opens too wide when activated.	Door is not correctly adjusted.	▶ Adjust the appliance door as described in the installation instructions.

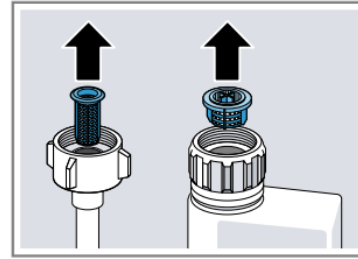
## Error code / Fault display / Signal



<b>Fault</b>	<b>Cause</b>	<b>Troubleshooting</b>
E:07 lights up	Intake opening of Zeolith container is covered by items of tableware.	► Re-arrange the tableware in the appliance so the "Intake opening of the Zeolith container " → Page 16 is no longer obstructed.
E:12 lights up	Heating element is furred up	<ol style="list-style-type: none"> <li>1. Descale the appliance.</li> <li>2. Operate the appliance with the Water softening system.</li> </ol>
E:14 lights up	Water protection system is activated.	<ol style="list-style-type: none"> <li>1. Turn off the water tap.</li> <li>2. Call "Customer Service" → Page 58.</li> </ol>
E:15 lights up	Water protection system is activated.	<ol style="list-style-type: none"> <li>1. Turn off the water tap.</li> <li>2. Call "Customer Service" → Page 58.</li> </ol>
E:16 lights up	Water is continuously running into the appliance.	<ol style="list-style-type: none"> <li>1. Turn off the water tap.</li> <li>2. Call "Customer Service" → Page 58.</li> </ol>
E:18 or indicator for water supply lights up.	Supply hose is kinked.	► Install the supply hose without kinks.
	Water tap is turned off.	► Turn on the water tap.
	Water tap is jammed or furred up.	► Turn on the water tap. The flow rate must be at least 10 l/ min when the water supply is open.
	Filter in the water supply is blocked.	<ol style="list-style-type: none"> <li>1. Switch off the appliance.</li> <li>2. Pull out the mains plug.</li> <li>3. Turn off the water tap.</li> <li>4. Unscrew the water connection.</li> <li>5. Remove the filter from the supply hose</li> </ol>



6. Clean the filter.
7. Re-insert the filter in the supply hose.
8. Screw the water connection back on.
9. Check the water connection for leaks.
10. Restore the power supply.
11. Switch the appliance on.

		 <ol style="list-style-type: none"> <li>6. Clean the filter.</li> <li>7. Re-insert the filter in the supply hose.</li> <li>8. Screw the water connection back on.</li> <li>9. Check the water connection for leaks.</li> <li>10. Restore the power supply.</li> <li>11. Switch the appliance on.</li> </ol>
E:22 lights up.	Filters are soiled or blocked.	► Clean the filters. → "Cleaning filters", Page 43
E:24 lights up.	Wastewater hose is blocked or kinked.	<ol style="list-style-type: none"> <li>1. Reposition the wastewater hose without kinks.</li> <li>2. Remove residues.</li> </ol>
	Siphon connection is still sealed.	► Check the connection to the siphon and open if necessary.
	Cover of the wastewater pump is loose.	► Secure the cover of the "Wastewater pump " → Page 57 so it clicks into position.
E:25 lights up.	Wastewater pump is blocked.	► Clean the wastewater pump. → "Clean wastewater pump", Page 57
	Cover of the wastewater pump is loose	► Secure the cover of the "Wastewater pump " → Page 57 so it clicks into position.
E:27 lights up.	Mains voltage is too low.	<p>This is not a fault on the appliance.</p> <ol style="list-style-type: none"> <li>1. Contact an electrician.</li> <li>2. Have the mains voltage and electrical installation checked by an electrician.</li> </ol>
	A technical fault is present	<ol style="list-style-type: none"> <li>1. Press</li> </ol>

Another error code appears on the display. E:01 to E:30



2. Unplug the appliance or switch off the fuse.
3. Wait at least 2 minutes.
4. Insert the mains plug of the appliance in a socket or switch on the fuse.
5. Switch the appliance on.
6. If the problem occurs again:

– Press



- Turn off the water tap.
- Pull out the mains plug.
- Contact "Customer Service" → Page 58 and give the error code.

## Washing results



Fault	Cause	Troubleshooting
Tableware is not dry.	No rinse aid used or dosage set too low.	<ol style="list-style-type: none"> <li>1. Add "Rinse aid" → Page 31.</li> <li>2. Set the amount of rinse aid to be dispensed.</li> </ol>
	Selected programme has no drying phase	▶ Select a programme with drying.
	Water collects in recesses of the tableware or cutlery.	▶ Position tableware at an angle where possible. <div data-bbox="1067 725 1318 904" style="text-align: center;"> </div>
	The combined detergent used has a poor drying performance.	<ol style="list-style-type: none"> <li>1. Use rinse aid to improve drying performance.</li> <li>2. Use a different combined detergent with a better drying performance.</li> </ol>
	Extra Dry not activated to improve drying performance.	▶ Activate Extra Dry.
	Tableware removed too early or drying process not yet ended.	<ol style="list-style-type: none"> <li>1. Wait until the programme ends.</li> <li>2. Only remove tableware 30 minutes after the programme has ended.</li> </ol>
	Rinse aid used has a limited drying performance.	▶ Use a name-brand rinse aid. Eco products may have limited effectiveness.
Plastic tableware is not dry.	Not a fault. As plastic does not store heat so well, it also does not dry as well.	▶ No remedial action possible.
Cutlery is not dry.		

	Cutlery not arranged properly in the cutlery basket or cutlery drawer	<ol style="list-style-type: none"> <li>1. Arrange the cutlery properly. → "Arrange tableware", Page 36</li> <li>2. Arrange cutlery individually where possible.</li> <li>3. Avoid points of contact.</li> </ol>
Appliance interior still wet after wash cycle.	Not a fault. The condensation drying principle causes water droplets in the tub – they are indeed desirable here. The moisture in the air condenses on the inside walls, runs off and is pumped out.	No action required.
Remnants of food on tableware.	Tableware was placed too close together.	<ol style="list-style-type: none"> <li>1. Arrange tableware with sufficient space in between. The spray jets must reach the surfaces of the tableware.</li> <li>2. Avoid points of contact.</li> </ol>
	Basket is overfilled.	<ol style="list-style-type: none"> <li>1. Arrange tableware with sufficient space in between. The spray jets must reach the surfaces of the tableware.</li> <li>2. Avoid points of contact.</li> </ol>
	Spray arm rotation is blocked.	▶ Arrange tableware so that it does not obstruct spray arm rotation.
	Spray arm nozzles are blocked.	▶ Clean the "Spray arms" → Page 44
	Filters are soiled.	▶ Clean the filters. → "Cleaning filters", Page 43
	Filters are inserted incorrectly and/or not engaged.	<ol style="list-style-type: none"> <li>1. Insert the filters properly. → "Filter system", Page 43</li> <li>2. Engage the filters.</li> </ol>

	<p>Washing programme selected too weak.</p>	<ul style="list-style-type: none"> <li>▶ Select a more intensive washing programme.</li> <li>▶ Adjust the sensitivity of the sensors. → "Sensors", Page 13</li> </ul>
	<p>Tableware has been precleaned too intensely. The sensors chose a weaker programme. Stubborn soiling cannot be entirely removed</p>	<ul style="list-style-type: none"> <li>▶ Only remove large remnants of food and do not prerinse tableware.</li> <li>▶ Adjust the sensitivity of the sensors. → "Sensors", Page 13</li> </ul>
	<p>Tall narrow receptacles in corner areas are not rinsed adequately.</p>	<ul style="list-style-type: none"> <li>▶ Do not position tall narrow receptacles at too great an angle or in corner areas.</li> </ul>
	<p>Top baskets on right and left are not set to same height.</p>	<ul style="list-style-type: none"> <li>▶ Set the top baskets on the left and right to the same level. → "Top basket", Page 23</li> </ul>
<p>Detergent residue in the appliance</p>	<p>Lid of the detergent dispenser is blocked by items of tableware parts and will not open.</p>	<ol style="list-style-type: none"> <li>1. Arrange tableware in the top basket tableware so the tab collecting tray is not obstructed by tableware. → "Arrange tableware", Page 36 Items of tableware are blocking the dispenser lid.</li> <li>2. Do not place tableware or fragrance dispensers in the tablet collecting tray.</li> </ol>
	<p>The lid of the detergent dispenser is blocked by the tab and will not open.</p>	<ul style="list-style-type: none"> <li>▶ Position the tab in the detergent dispenser crosswise, not vertically</li> </ul>
	<p>Tabs are used in the quick or short programme. Dissolving time of the tab is not attained.</p>	<ul style="list-style-type: none"> <li>▶ Select a more intensive Programme or use "Powder detergent" → Page 32.</li> </ul>
	<p>Washing effect and dissolving performance are reduced after a</p>	<ul style="list-style-type: none"> <li>▶ Change your "detergent" → Page 32.</li> </ul>

	prolonged storage time or detergent is very lumpy.	
Water marks on plastic parts.	Due to laws of physics droplet formation on plastic surfaces is unavoidable. After drying water marks are visible.	<ul style="list-style-type: none"> <li>▶ Select a more intensive programme.</li> <li>▶ Position tableware at an angle. → "Arrange tableware", Page 36</li> <li>▶ Use rinse aid. → "Rinse aid", Page 31</li> <li>▶ Set the water softening system higher</li> </ul>
Wipeable or water-soluble coatings are present inside the appliance or on the door.	Detergent substances are deposited there. These coatings cannot generally be removed with chemicals.	<ul style="list-style-type: none"> <li>▶ Change your "detergent" → Page 32.</li> <li>▶ Clean the appliance mechanically.</li> </ul>
	White coating is deposited in the appliance interior.	<ol style="list-style-type: none"> <li>1. Set the water softening system correctly. In most cases you will need to increase the setting.</li> <li>2. Change your detergent if required.</li> </ol>
	Special salt dispenser is not screwed tight.	▶ Screw the special salt dispenser tight
Stubborn white coatings are present on tableware, inside the appliance or the door.	Detergent substances are deposited there. These coatings cannot generally be removed with chemicals.	<ul style="list-style-type: none"> <li>▶ Change your "detergent" → Page 32.</li> <li>▶ Clean the appliance mechanically.</li> </ul>
	The hardness range is set incorrectly or the water hardness is greater than 62 °E (8,9 mmol/l).	▶ Set the "Water softening system" → Page 28 to the water hardness or add special salt.
	3in1/organic/eco detergent is not effective enough.	▶ Set the "Water softening system" → Page 28 to the water hardness and use separate detergents

		(proprietary detergent, special salt, rinse aid).
	Too little detergent is being used.	▶ Increase the amount of detergent used or change "Detergent " → Page 32.
	Washing programme selected too weak.	▶ Select a more intensive washing programme. ▶ Adjust the sensitivity of the sensors. → "Sensors", Page 13
Tea residue or lipstick marks on tableware	Washing temperature is too low.	▶ Select a programme with a higher washing temperature.
	Too little detergent is being used or is unsuitable.	▶ Use a suitable "Detergent " → Page 32 and follow the manufacturer's instructions for the amount to be used.
	Tableware has been precleaned too intensely. The sensors chose a weaker programme. Stubborn soiling cannot be entirely removed.	▶ Only remove large remnants of food and do not prerinse tableware. ▶ Adjust the sensitivity of the sensors. → "Sensors", Page 13
Coloured coatings (blue, yellow, brown) that are difficult or impossible to remove are present inside the appliance or on stainless steel tableware.	The formation of films is due to substances contained in vegetables (cabbage, celery, potatoes, noodles, etc.) or tap water (manganese).	▶ Clean the appliance. You can remove deposits with "Mechanical cleaning" → Page 41 or a machine cleaning product. It may not always be possible to completely remove deposits but they are harmless to health.
	The formation of films is due to metal components on silver or aluminium tableware.	The formation of films is due to metal components on silver or aluminium tableware.
Coloured deposits (yellow, orange, brown) that are easy to remove are present inside the	The formation of films is due to ingredients of food remnants and tap water (limescale) "soaplike".	1. Check the setting of the water softening system. 2. Add special salt. → "Adding special salt", Page 29

appliance (mainly at the bottom).		3. If you are using combined detergents (tabs), activate the water softening system. Follow the information about detergents. → "Information on detergents", Page 33
Plastic parts inside the appliance are discoloured.	Plastic parts inside the appliance may become discoloured during the life of the dishwasher.	► Discolouration can come about and will not impair functioning of the appliance.
Plastic parts are discoloured.	Washing temperature is too low.	► Select a programme with a higher washing temperature.
	Tableware has been precleaned too intensely. The sensors chose a weaker programme. Stubborn soiling cannot be entirely removed.	► Only remove large remnants of food and do not prerinse tableware. ► Adjust the sensitivity of the sensors. → "Sensors", Page 13
Removable streaks are present on glasses, glassware with a metallic appearance and cutlery	Amount of rinse aid to be dispensed is set too high.	► Set the rinse aid system to a lower setting.
	No rinse aid has been added.	► → "Adding rinse aid", Page 31
	Detergent residue is present in the final rinse. Lid of the detergent dispenser is blocked by tableware items and will not open fully.	1. Arrange tableware in the top basket tableware so the tab collecting tray is not obstructed by tableware. → "Arrange tableware", Page 36 Items of tableware are blocking the dispenser lid. 2. Do not place tableware or fragrance dispensers in the tablet collecting tray.
	Tableware has been precleaned too intensely. The sensors chose a weaker programme. Stubborn soiling cannot be entirely removed.	► Only remove large remnants of food and do not prerinse tableware. ► Adjust the sensitivity of the sensors. → "Sensors", Page 13

Irreversible clouding of glassware.	Glasses are not dishwasherproof, only suitable for dishwashers.	<ul style="list-style-type: none"> <li>▶ Use dishwasher-proof glasses.</li> <li>▶ Avoid a lengthy steam phase (standing time after wash cycle ends).</li> <li>▶ Use a programme with a lower temperature.</li> <li>▶ Set the softening system to the water hardness.</li> <li>▶ Use detergent with a glass protection component.</li> </ul>
Rust spots on cutlery	Cutlery is not sufficiently rust-resistant. Knife blades are often more severely affected.	▶ Use rust-resistant tableware.
	Cutlery may also rust if washed together with rusting items.	▶ Do not wash rusting items.
	Salt content in washing water is too high.	<ol style="list-style-type: none"> <li>1. Remove any spilled special salt from the tub.</li> <li>2. Screw the cap of the special salt dispenser on tight.</li> </ol>
Detergent residue is present in the detergent dispenser or the tablet collecting tray.	Spray arms were blocked by tableware so detergent was not rinsed out.	▶ Check that the spray arms are not blocked and can rotate freely
	Detergent dispenser was damp when detergent was added.	▶ Only add detergent to a detergent dispenser when dry.
Excessive formation of foam occurs.	Hand washing-up liquid is present in dispenser for rinse aid.	▶ Immediately add rinse aid to the dispenser. → "Adding rinse aid", Page 31
	Rinse aid has been spilled.	▶ Remove the rinse aid with a cloth.
	Detergent or appliance care product used causes excessive foaming.	▶ Change the brand of detergent.

## Information on display panel

Fault	Cause	Troubleshooting
Special salt refill indicator lights up	Insufficient special salt.	▶ Add "Special salt" → Page 29.
	Sensor does not detect special salt tablets.	▶ Do not use special salt tablets.
Refill indicator for special salt does not light up.	Water softening system is switched off.	▶ "Setting water softening system" → Page 29
Refill indicator for rinse aid lights up.	Insufficient rinse aid.	<ol style="list-style-type: none"> <li>1. Add "Rinse aid" → Page 31.</li> <li>2. Set the amount of rinse aid to be dispensed.</li> </ol>
Refill indicator for rinse aid does not light up.	Rinse aid system is switched off.	▶ → "Setting the amount of rinse aid", Page 31
Machine Care indicator lights up	Machine care is recommended.	<p>▶ Run the Machine Care programme without tableware.</p> <p>– Use a special machine care product. The indicator will go out automatically after 3 wash cycles whether Machine Care is carried out or not</p>

## Malfunctions

<b>Fault</b>	<b>Cause</b>	<b>Troubleshooting</b>
The appliance is not working.		
Water is left in the appliance at the end of the programme.	Filter system or area under the filters is blocked.	<ol style="list-style-type: none"> <li>1. Clean the "Filters" → Page 43.</li> <li>2. Clean the "Wastewater pump" → Page 57.</li> </ol>
	Programme has not yet ended.	<p>▶ Wait until the programme ends or cancel the programme with reset.</p> <p>▶ → "Terminate programme", Page 38</p>
Appliance cannot be switched on or operated.	Appliance functions have failed.	<ol style="list-style-type: none"> <li>1. Pull out the mains plug or switch off the fuse.</li> <li>2. Wait at least 2 minutes.</li> <li>3. Connect the appliance to the power supply.</li> <li>4. Switch the appliance on.</li> </ol>
Appliance does not start.	The mains fuse has tripped.	▶ Check the relevant fuse
	Mains cable is not inserted.	<ol style="list-style-type: none"> <li>1. Check whether the socket works.</li> <li>2. Check whether the mains cable is properly inserted in the socket and on the rear of the appliance.</li> </ol>
	Appliance door is not closed properly.	▶ Close the appliance door.
Programme starts automatically.	You did not wait until programme ended.	▶ → "Terminate programme", Page 38
Appliance stops during the programme or cuts out.	Appliance door is not closed properly	▶ Close the appliance door.
	Power and/or water supply has been interrupted.	<ol style="list-style-type: none"> <li>1. Check the power supply.</li> <li>2. Check the water supply</li> </ol>

<p>Appliance stops during the programme or cuts out.</p>	<p>Top basket is pressing against inner door and preventing appliance door from being closed securely.</p>	<ul style="list-style-type: none"> <li>▶ Check whether the rear panel of the appliance is being pressed in by a socket or hose holder that has not been removed.</li> <li>▶ Arrange the tableware so that no parts project beyond the basket and prevent the appliance door from closing properly.</li> </ul>
--	--	---

## Mechanical damage

Fault	Cause	Troubleshooting
<p>Appliance door cannot be closed.</p>	<p>Door lock has been activated.</p>	<ul style="list-style-type: none"> <li>▶ Close the appliance door with greater force.</li> </ul>
	<p>Door cannot be closed due to installation method.</p>	<ul style="list-style-type: none"> <li>▶ Check whether the appliance has been installed properly. When closed, the appliance door, its decor or attached parts should not knock against adjacent cabinets or the worktop.</li> </ul>
	<p>Automatic door opening is not in home position.</p>	<ul style="list-style-type: none"> <li>▶ Wait for a second after opening the appliance door.</li> </ul>
<p>Lid on the detergent dispenser cannot be closed.</p>	<p>Detergent dispenser or lid are blocked by sticky detergent residue.</p>	<ul style="list-style-type: none"> <li>▶ Remove detergent residue.</li> </ul>

## Noise

Fault	Cause	Troubleshooting
Filling valves making knocking noises.	Caused by the domestic installation. No appliance fault present. Does not affect functioning of the appliance.	▶ Can only be remedied in the domestic installation
Knocking or rattling noise.	Spray arm is striking tableware.	▶ Arrange tableware so that the spray arms do not strike tableware.
	With a small load the water jets directly strike against the tub.	▶ Distribute the tableware evenly. ▶ Load the appliance with more tableware.
	Light items of tableware move about during the wash cycle.	▶ Position light items of tableware securely.

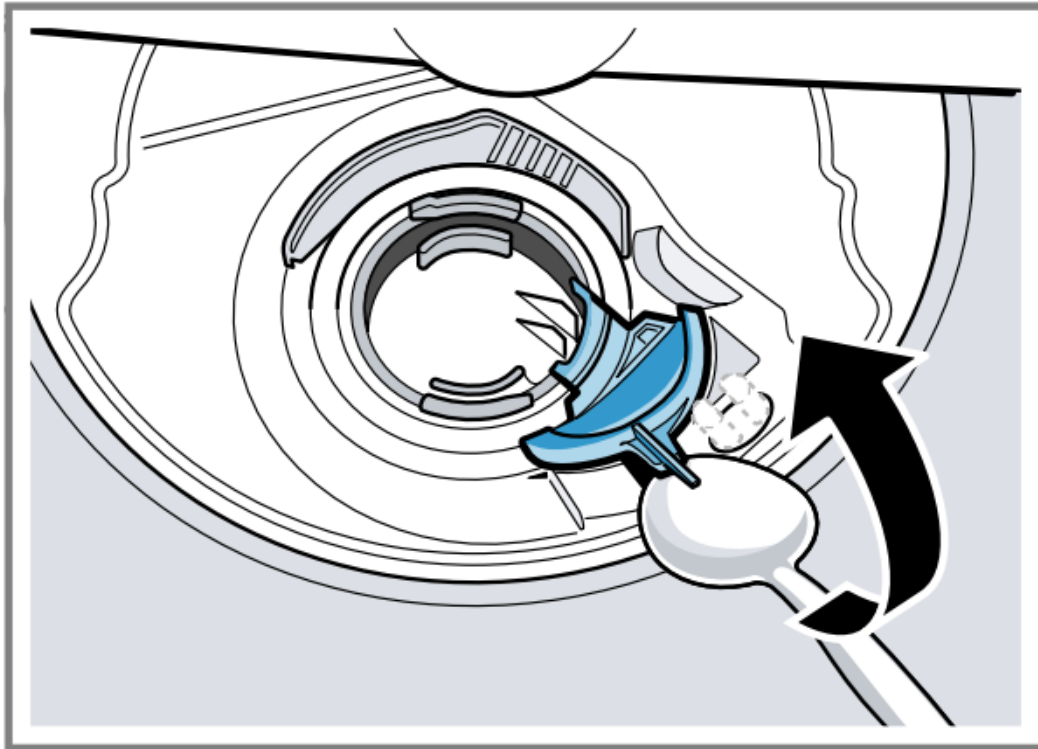
## Clean wastewater pump

Large remnants of food or foreign bodies can block the wastewater pump. As soon as the washing water no longer drains properly, the wastewater pump must be cleaned.

**WARNING** Risk of injury! Sharp and pointed objects or fragments of glass may block the waste water pump and cause injury.

▶ Remove any foreign bodies carefully.

1. Disconnect the appliance from the power supply.
2. Remove the top and bottom basket.
3. Remove the filter system.
4. Scoop out any water. Use a sponge if necessary.
5. Prise off the pump cover using a spoon and grip it by the crosspiece.



6. Lift the pump cover inwards at an angle and remove.

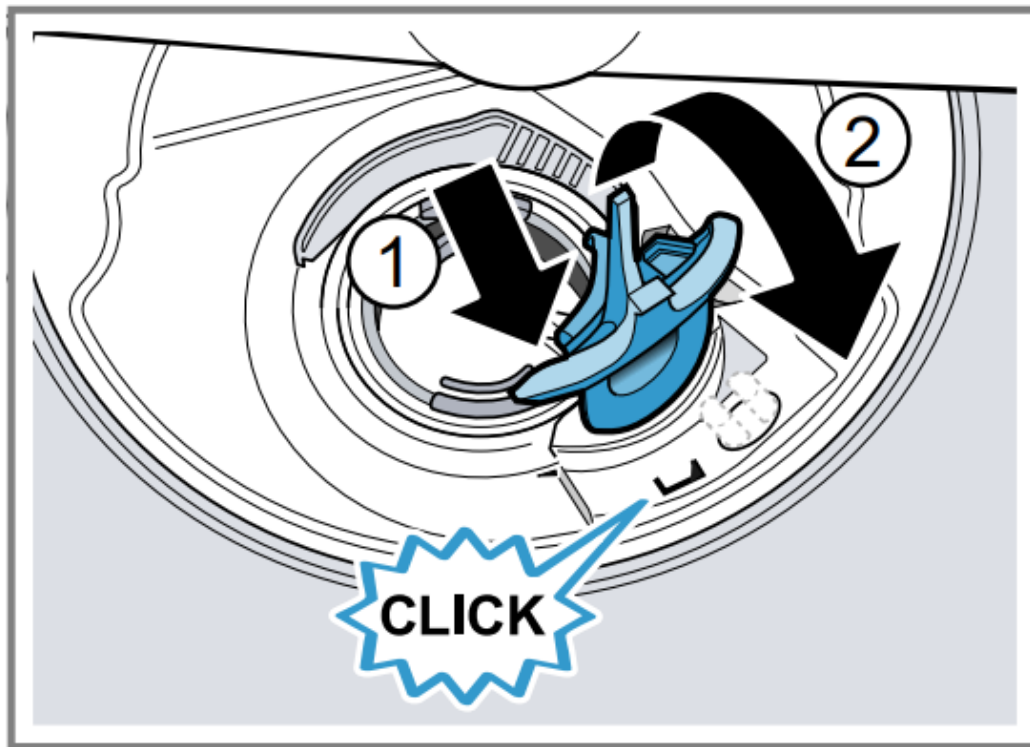
7. Remove any remnants of food and foreign bodies in the area of the impeller.

8. Insert the pump cover

①

and press down

②



The pump cover clicks into position.

9. Install the filter system.

10. Insert the top and bottom basket.

**Warning**

This content is compiled from multiple sources and is provided for reference purposes only. It may not be complete or fully applicable to all situations. If you are unable to resolve your issue, please contact the product manufacturer or an authorized service provider for official support.