

User Manual for Smoke Detector

This user manual contains important information regarding the operation of your X-SENSE smoke alarm. Ensure you read this user manual fully before installing and operating the alarm. If you are installing this smoke alarm for use by others, you must leave this manual (or a copy of it) with the end user.

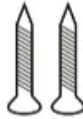
Package Contents



1 × Alarm Unit



1 × Mounting Bracket



2 × Screws



2 × Anchor Plugs



1 × User Manual

Safety Information

IMPORTANT!

1. DANGERS, WARNINGS, AND CAUTIONS ALERT YOU TO IMPORTANT OPERATING INSTRUCTIONS OR TO POTENTIALLY HAZARDOUS SITUATIONS. PAY SPECIAL ATTENTION TO THESE SITUATIONS.
2. THIS ALARM IS NOT INTENDED TO ALERT HEARING IMPAIRED INDIVIDUALS. THE USE OF ALCOHOL OR DRUGS MAY ALSO IMPAIR ONE'S ABILITY TO HEAR THE SMOKE ALARM.
3. FIRES IN CHIMNEYS, WALLS, ROOFS, DIFFERENT LEVELS OR BEHIND CLOSED DOORS MIGHT NOT BE DETECTED.
4. THIS DEVICE DOES NOT DETECT FLAMES, HEAT, CARBON MONOXIDE OR OTHER HAZARDOUS GASES.

WARNING!

1. NEVER IGNORE ANY ALARM. FAILURE TO RESPOND CAN RESULT IN SERIOUS INJURY OR DEATH.
2. THE SILENCE FEATURE IS ONLY FOR YOUR CONVENIENCE AND WILL NOT CORRECT A PROBLEM. ALWAYS CHECK YOUR HOME FOR A POTENTIAL PROBLEM AFTER ANY ALARM. FAILURE TO DO SO CAN RESULT IN INJURY OR DEATH.
3. TEST THIS SMOKE ALARM ONCE A WEEK. IF THE ALARM EVER FAILS TO TEST CORRECTLY, REPLACE IT IMMEDIATELY! IF THE ALARM CANNOT WORK PROPERLY, IT WILL NOT ALERT YOU TO A PROBLEM.

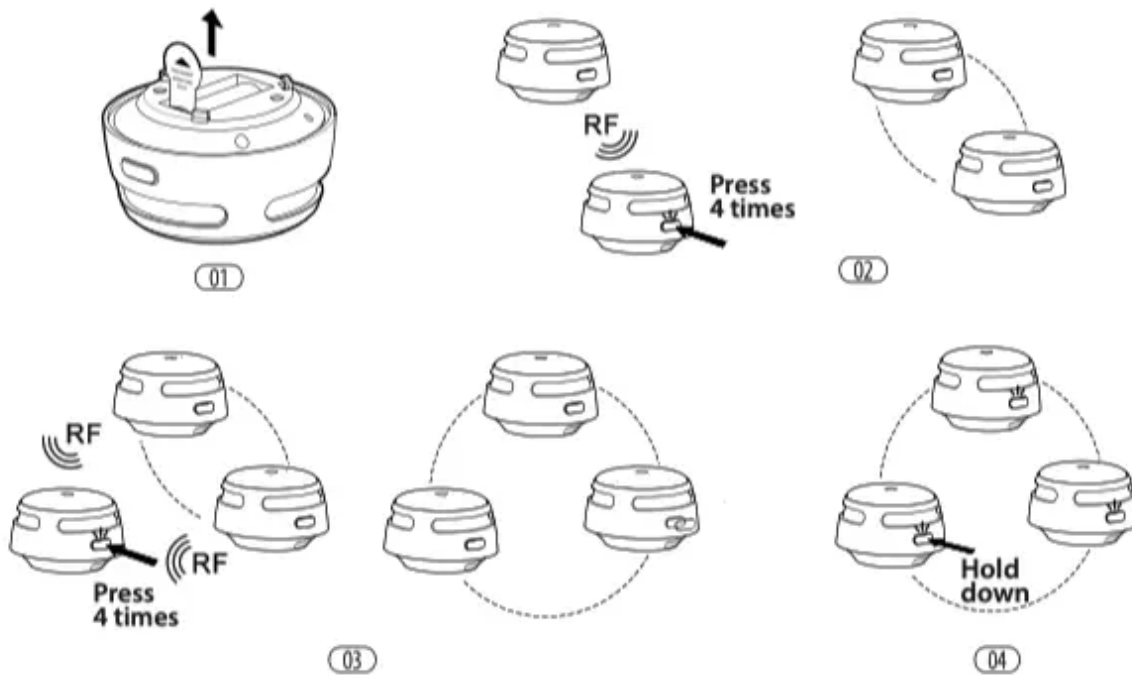
Set up and Interconnect Smoke Alarms

All XS01-WR alarms contain a built-in RF module that enables you to wirelessly connect 2 or more smoke alarms and create an interlinked network. When one unit is triggered, all interconnected units will sound an alarm.

The XS01-WR wireless smoke alarms in one multi-pack have already been interconnected. The alarms in each multi-pack have their own independent interlinked network. So, if you have more than one multi-pack, you will need to add them all into the same interlinked network.

How to Interconnect

1. To power on 2 smoke alarms, remove the battery insulating films from their battery compartments. Note: Make sure that only 2 smoke alarms are powered on at a time to ensure successful interconnection.
2. Press the test/silence button on one of the 2 smoke alarms 4 times, and this alarm will beep once and the red LED will flash continuously, indicating it has entered the interconnecting mode. After successfully creating an interlinked network, this alarm will beep once and automatically exit the interconnecting mode. To ensure that all smoke alarms enter the same interlinked network, make sure only one smoke alarm enters interconnecting mode at a time.
3. If you want to interconnect a third smoke alarm, power it on and press the test/silence button 4 times to interconnect to the previously interconnected smoke alarms. Up to 24 smoke alarms can be interconnected this way.
4. Test the smoke alarm according to the steps in the section "Alarm Test".



NOTES:

1. The smoke alarm will be in the interconnecting mode for 60 seconds, during which the red LED light flashes. After 60 seconds, repeat step 2 to connect the alarms. If needed, manually press the test/silence button to stop sending out an RF signal, and the red LED will stop flashing and the alarm will enter normal status.
2. Test all your wireless smoke alarms to ensure that they are interconnected before installation.
3. A maximum of 24 wireless smoke alarms can be interconnected.
4. Note that the XS01-WR alarm can only be interconnected with other X-SENSE wireless alarms.

How to Disconnect

Press the test/silence button 4 times and the smoke alarm will beep once, then hold down the button until it beeps once to disconnect. After disconnecting, you can connect it again to let it enter the interlinked network.

Alarm Test

The alarm must be properly attached to the mounting bracket before it can be tested.

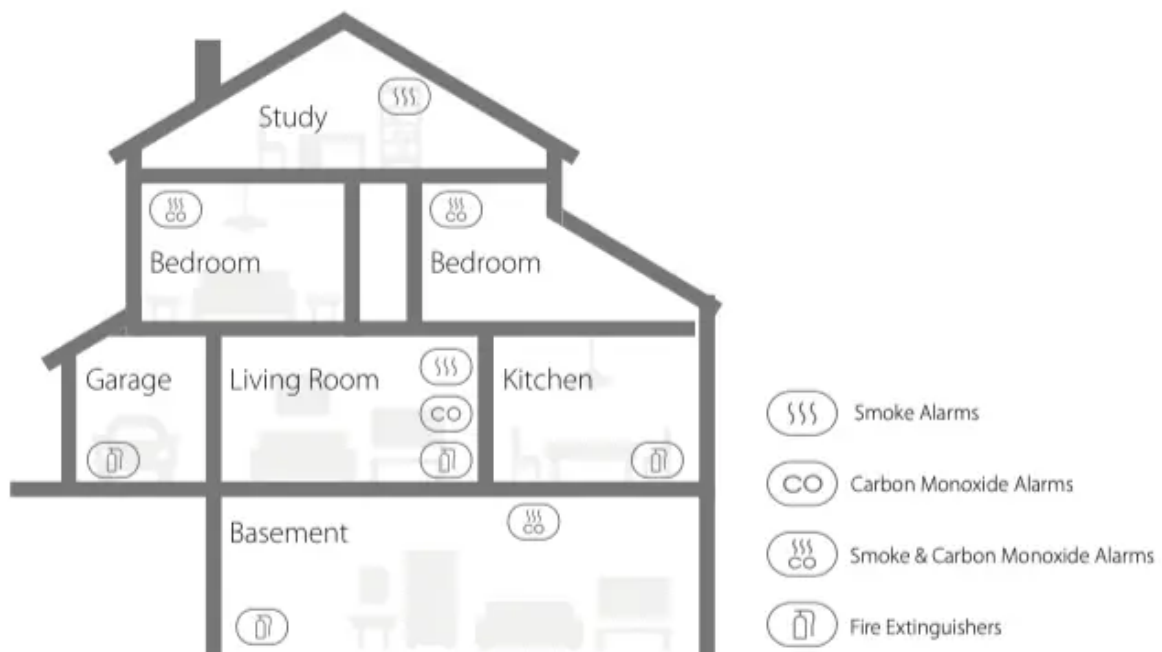
If your XS01-WR is interconnected to other wireless smoke alarms, we recommend that every individual smoke alarm is tested during the weekly test.



	Test a single alarm	Test all interconnected smoke alarms
Action	Press the test/silence button.	Hold down the test/silence button.
Indication	<ul style="list-style-type: none"> • The alarm will sound 3 short quick beeps. • The red LED will flash once every second during the audible signal. 	<ul style="list-style-type: none"> • The initiating smoke alarm will beep continuously with the red LED flashing. • Other interconnected smoke alarms in the network will receive the signal after 5 seconds, and they will beep continuously with the red LED flashing. Release the test/silence button and all the smoke alarms will stop testing. • The alarm testing should be completed within 3 minutes.

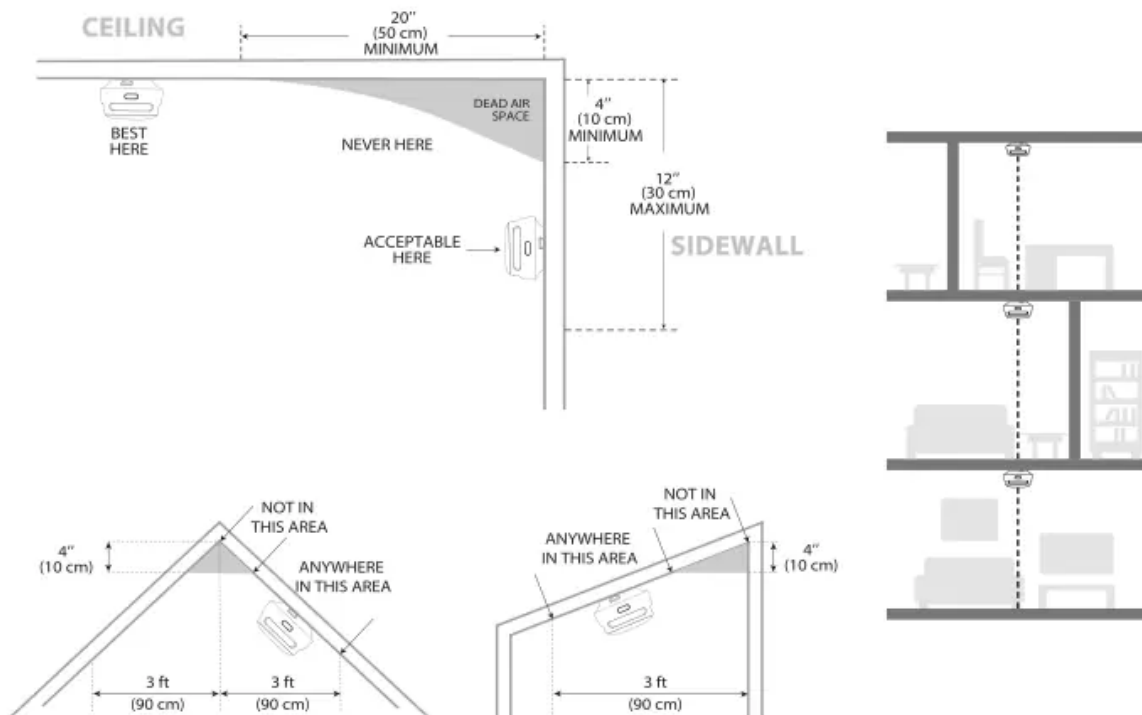
NOTE: The test function accurately tests the alarm's smoke sensing circuit without the need of test smoke. If your smoke alarm fails to give an audible test signal, please refer immediately to the troubleshooting guide at the end of this manual.

Installation Positioning



1. Prioritize the installation of an alarm in the bedroom and walkways, and make sure you can hear the alarm from all sleeping areas. In a home with several bedrooms, install an alarm in every bedroom. If you install only one smoke alarm in your home, install the alarm near to all bedrooms where possible, and not in a basement or furnace room.
2. Install an alarm above the stairway and on every floor of the house.

3. Smoke, heat and anything burning will spread horizontally after rising to the ceiling, so install the alarm in the middle of the ceiling where possible. Ensure that the alarm is installed at the minimum distance away from corner.
4. If an alarm cannot be installed in the middle of a ceiling, install it at a distance of 20 inches (50 cm) away from the corners of the room.
5. If an alarm is installed onto a wall, a distance of 4-12 inches (10-30 cm) should be kept below the ceiling.
6. If the length of a room or hall is beyond 30 feet (900 cm), several alarms should be installed in the same space.
7. When the wall or ceiling is angled, the alarm needs to be installed within 3 feet (90 cm) of the highest wall or ceiling point (measured horizontally) in the room.
8. In multi-level houses or apartments, install at least one wireless smoke alarm on each level and keep them installed in a straight vertical line (see diagram) with as few obstacles between each of the interconnected alarms as possible to ensure optimal signal transmission.



Locations to Avoid

1. Near large metal surfaces and/or bundles of wire.
2. Near fluorescent lights, amateur radios, electrical equipment, or other devices that may transmit an RF signal, as electronic “noise” may cause nuisance alarms.

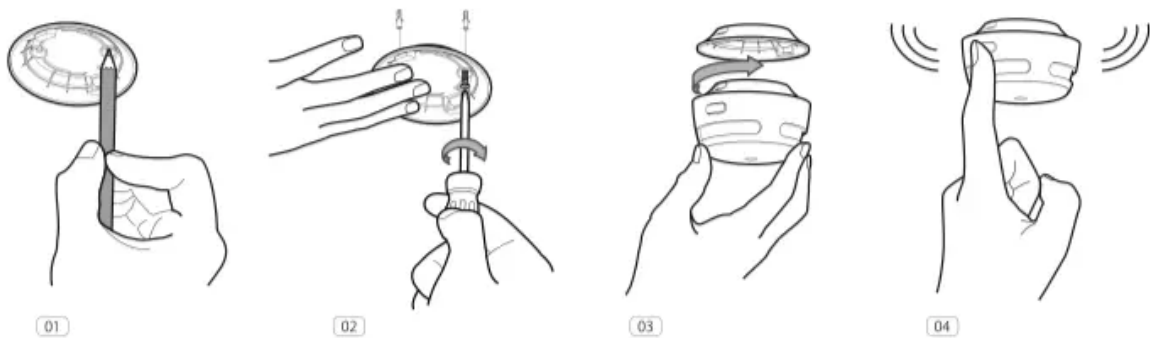
WARNING!

1. THIS ALARM SHOULD BE INSTALLED BY A COMPETENT PERSON.
2. ALARMS SHOULD NOT BE USED AS A SUBSTITUTE FOR PROPER INSTALLATION, USE AND MAINTENANCE OF FUEL BURNING APPLIANCES INCLUDING APPROPRIATE VENTILATION AND EXHAUST SYSTEMS.

Installation Method

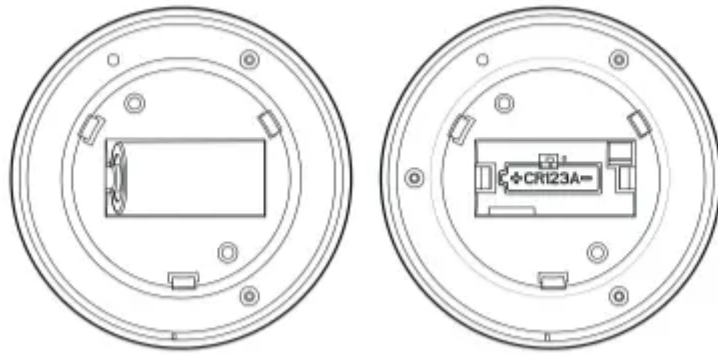
1. Use the mounting bracket to mark the screw holes on the ceiling or the wall.
2. Drill holes at the two marks using an appropriately-sized drill bit. Insert the anchor plugs and screw the mounting bracket using the screws provided.
3. Attach the alarm to the mounting bracket and turn clockwise to lock the alarm.
4. Test the smoke alarm according to the steps in the section "Alarm Test".

NOTE: Before installation, it is recommended to test the interconnected smoke alarms in different rooms where you intend to install these alarms to ensure that they are within the transmission range.



Battery Replacement

1. To replace the battery, detach the smoke alarm from the mounting bracket by twisting counterclockwise.
2. Pull the battery removal tab to remove the battery, and then install a new battery, matching the correct polarity markings.
3. Test the alarm, and then mount the alarm onto the mounting bracket by twisting clockwise to lock the alarm.



LED Indicator and Audible Alarm

Status		LED indicator	Audible alarm	Action
Normal		Red LED flashes once every 60 seconds.	None	
Alarm		Red LED flashes once every second.	Short quick beeps	
Test	Single Smoke Alarm	Red LED flashes once every second.	3 short quick beeps	Press the test/ silence button once.
	All interconnected smoke alarms in the network	Red LED flashes once every second.	Continuous beeping until you release the test/silence button	Hold down the test/ silence button.
Silence Mode		Red LED flashes once every 5 seconds.	None	
Low Battery		Red LED flashes once every 60 seconds.	1 beep every 60 seconds	Each alarm gives an independent warning.
Malfunction		Red LED flashes twice every 40 seconds.	2 beeps every 40 seconds	Each alarm gives an independent warning.

Silence Mode

If you press the silence button during an alarm state, the unit will be in the silence mode for 9 minutes. During the silence mode, the red LED will flash once every 5 seconds. The alarm will enter the normal mode after 9 minutes.

NOTES



1. Mute all other interconnected alarms by pressing the silence button on the initiating smoke alarm. Note that the initiating smoke alarm cannot be silenced by pressing the silence button on any other interconnected alarm.
2. Under interconnected condition, the initiating smoke alarm cannot be triggered again during the 9-minute silence duration. However, all other interconnected alarms can be triggered when detecting dangerous smoke levels during the silence mode.

Technical Specifications

Power Supply	Replaceable 3 V CR123A lithium battery
Operating Life	10 years
Battery Life	5 years
Sensor Type	Photoelectric
Safety Standard	UL 217
Standby Current	< 15 uA (avg.)
Alarm Current	< 150 mA (avg.)
Coverage Area	215.3-430.6 ft ² (20-40 m ²)
Best Operating Ambient Temperature	40-100 °F (4.4-37.8 °C)
Operating Relative Humidity	≤ 85% (non-condensing)
Alarm Loudness	≥ 85 dB at 9.84 ft (3 m) @ 3.2 ± 0.3 kHz pulsing alarm
Silence Duration	About 9 minutes
Operating Frequency	915 MHz
Maximum Number of Interconnected Units	24 wireless units (only compatible with X-SENSE wireless alarms)
Transmission Range	Over 820 ft (250 m) in open air



Note: Battery life is calculated based on the current rating in the weekly testing mode and the standby mode. If its operation mode changes to alarm condition, the battery life will be decreased accordingly.

Maintenance

To keep your smoke alarm in good working order, follow these simple steps:

1. Verify the unit's alarm sound and indicator are working properly by testing the unit once a week.
2. As a minimum your smoke alarm should be cleaned once every 3 months: Remove the unit from the ceiling and clean the alarm cover and vents with your vacuum cleaner fitted with the soft brush attachment to remove dust and dirt.
3. Never use detergents or other solvents to clean the unit.
4. Avoid spraying air fresheners, hair spray or other aerosols near the alarm.
5. Do not paint the unit. Paint will seal the vents and interfere with the sensor's ability to detect fire.
6. Never attempt to disassemble the unit or clean inside. Doing so will void your warranty.
7. When removed, place the smoke alarm back in its proper location as soon as possible, to assure continuous protection from fire.
8. When household cleaning supplies or similar contaminants are used, the area should be ventilated.

Troubleshooting

PROBLEM	SOLUTION
Your smoke alarm does not sound during testing.	<ul style="list-style-type: none">• Please check whether the alarm is properly attached to the mounting bracket.• Make sure you push the central test button firmly.• Check the installation positioning. The wireless signal might be blocked or out of range.
False alarms triggered intermittently or when residents are cooking, taking showers, etc.	<ul style="list-style-type: none">• Check the location of your smoke alarm (see “Installation Positioning”).• Clean the smoke alarm (see “Maintenance”).
Red LED flashes and the alarm sounds one beep every 60 seconds.	The battery is low. Replace immediately.
Red LED flashes and the alarm sounds two beeps every 40 seconds.	The alarm is malfunctioning. Please clean your smoke alarm, or replace immediately.

Warning

This content is compiled from multiple sources and is provided for reference purposes only. It may not be complete or fully applicable to all situations. If you are unable to resolve your issue, please contact the product manufacturer or an authorized service provider for official support.