

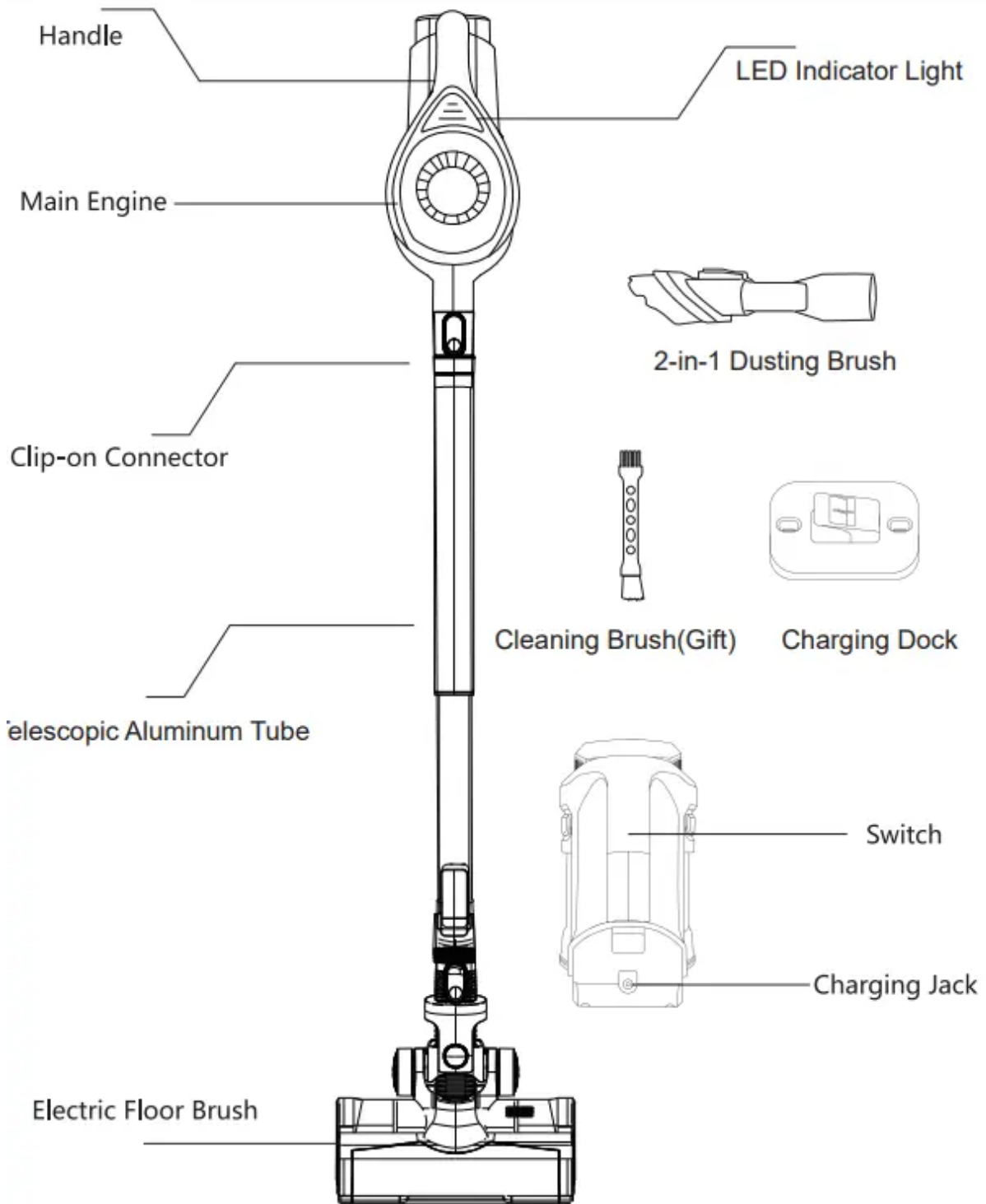
## Instruction Manual Cordless Hand Vacuum

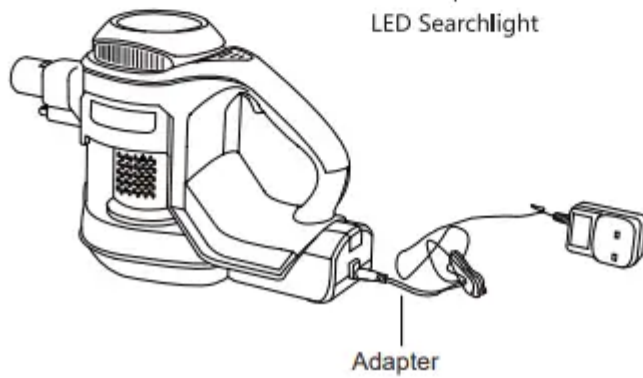
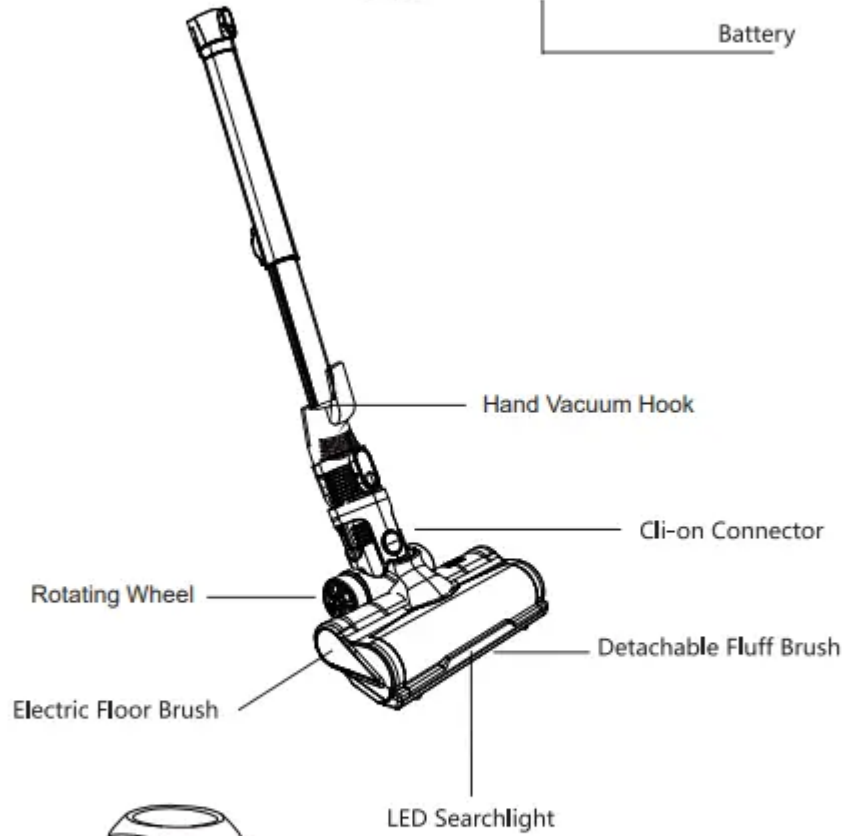
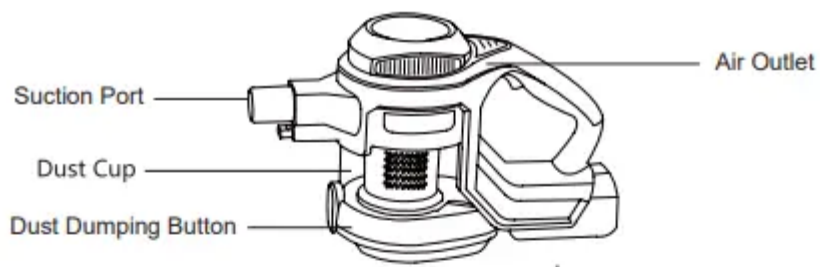
### What's in the Box

Name	Quantity
Cordless Vacuum	1
Telescopic Aluminum Tube	1
Electric Floor Brush	1
2-in-1 Dusting Brush	1
Adapter	1
Instruction Manual	1
Wall Bracket	1
Cleaning Brush(Gift)	1

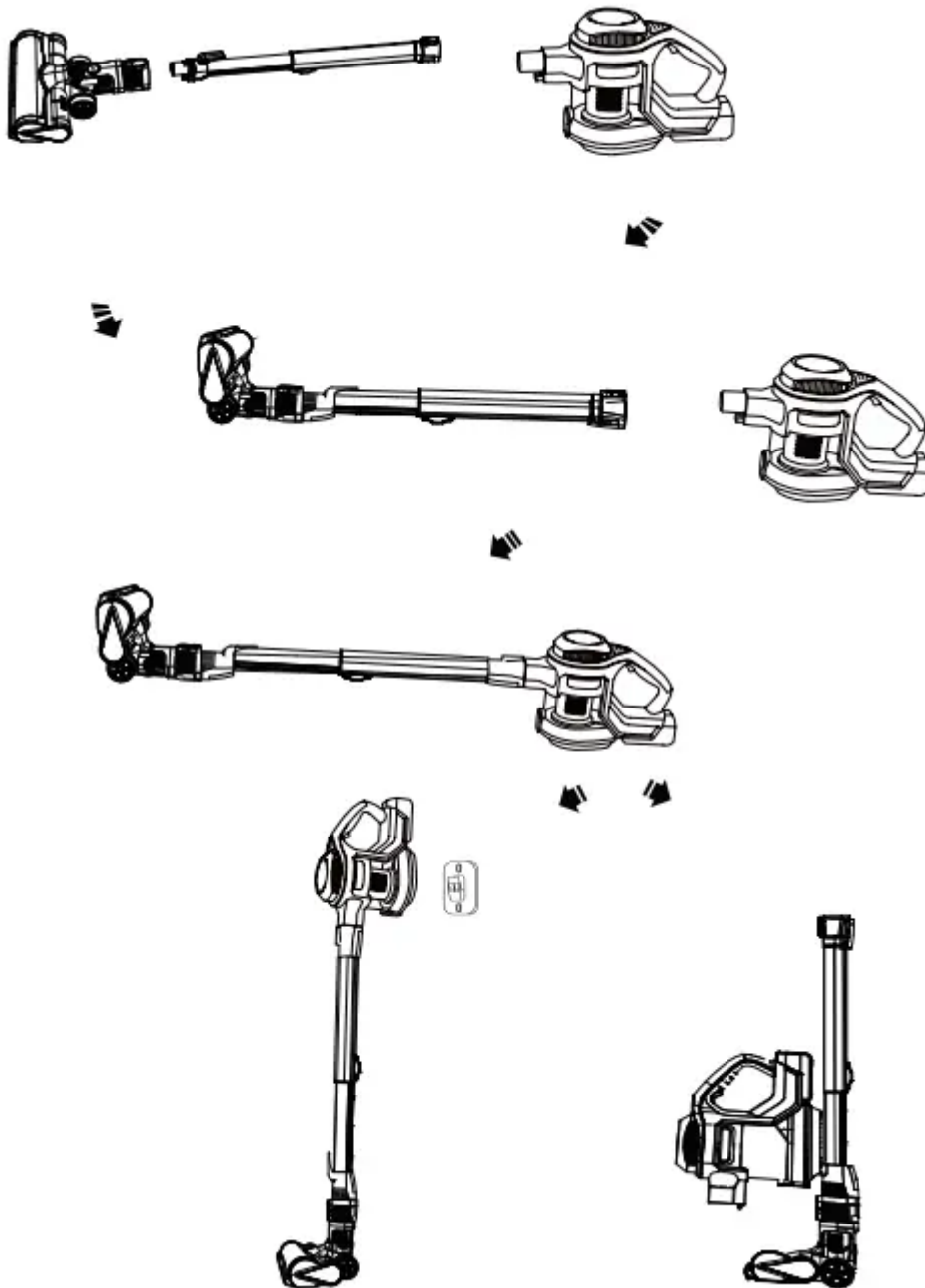


# Overview





## Assembly and Storage



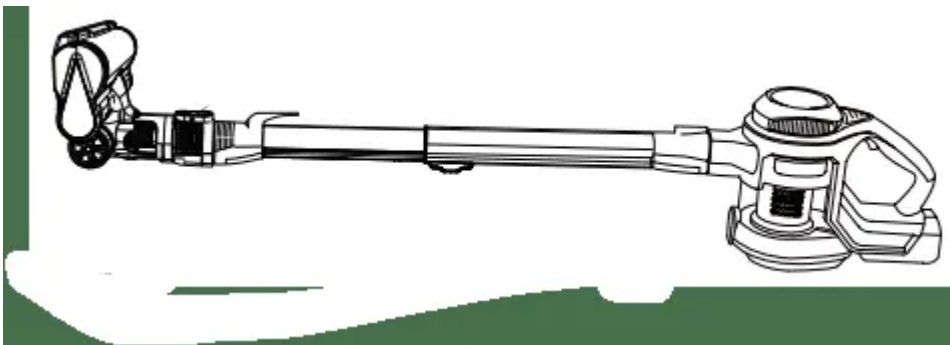
## Specifications

Model	X8
Rated Voltage	29.6V
Charging Time	4.5h
Rated Power	250W
Adapter Input Voltage	100-240V~50/60Hz
Adapter Output Voltage	DC 36V 500mA
Vacuum Power	12kpa(Standard mode)/24kpa(Boost mode)
Dust Cup Capacity	1.3L
Battery Capacity	2200mAh
Run Time	30min (Standard mode)/ 15min (Boost mode)
Length of Telescopic Tube	18.9~27.2 inches

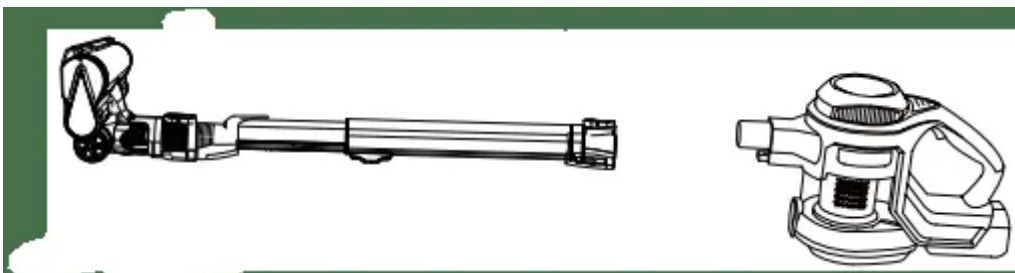
## Assembly Instructions

### Telescopic Aluminum Tube

1. Push the telescopic aluminum tube end into the suction port of the hand vacuum in horizontal direction. A "Click" would be heard if it is fitted well.

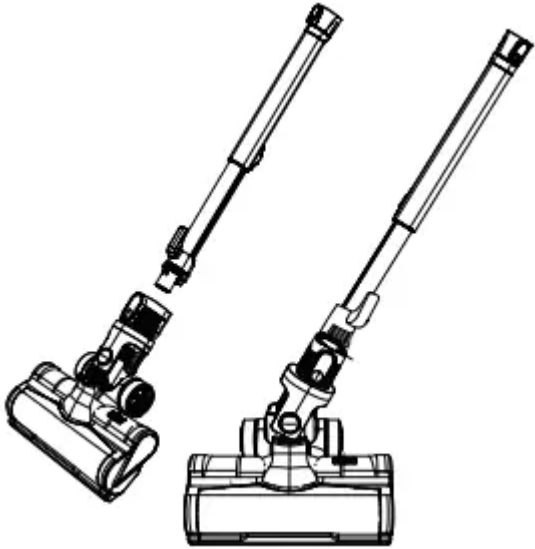


2. To remove the tube, press the release button and pull it out.



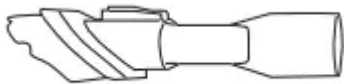
## Electric Floor Brush

1. Push the floor brush into the snap joint of the telescopic aluminum tube. The sound of "click" means right and successful installation.
2. To remove the floor brush, press the release button and pull it out



## 2-in-1 Dusting Brush

It can be fitted into both the tube and the hand vacuum. Press the button on it to switch it between brush and nozzle



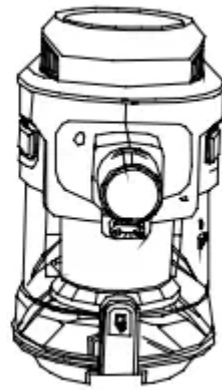
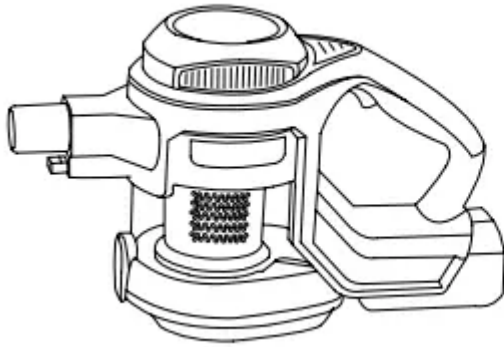
## Operating Instructions

### 1. Preparation

Please make sure the appliance is charged fully before using. It's recommended to charge for 6 hours before its first use.

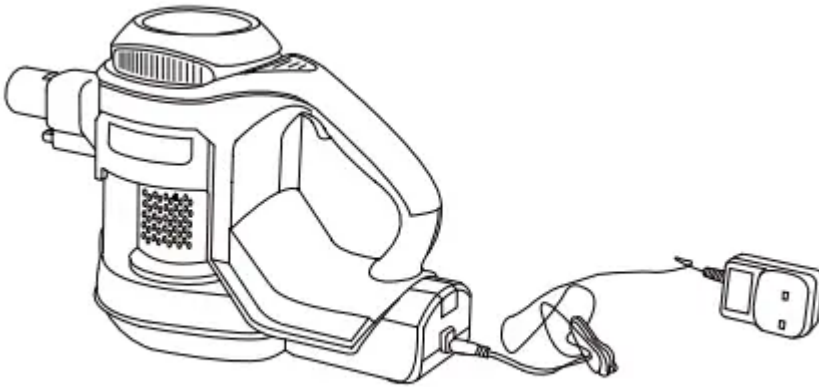
### 2. Operating

Choose the accessory according to actual cleaning requirements. The vacuum has two modes of speed to choose from. Press the power switch first time to start working, second time to switch to high speed mode and third time to stop working.



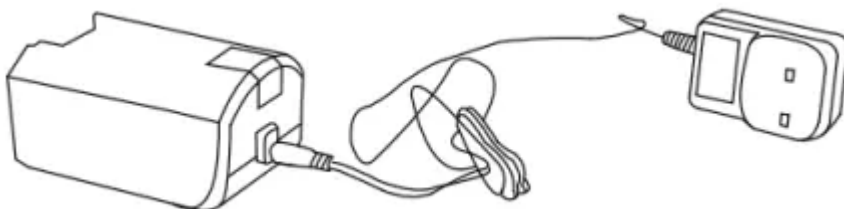
## Charging

1. Charge the battery on the appliance.



2. Charge the battery pack alone.

It's recommended that charge the battery on the appliance to know how much it has charged from LED indicator lights on the hand vacuum. Charging before the battery runs out completely would prolong the service life



LED Indicator Light during Use
Battery fully charged: 3 steady blue bars
Battery runs low: 2/1 blue bars
Battery runs out: No bars
LED Indicator Light during charging
Charging: 3 steady blue bars show in turns
Not fully charged: 2/1 steady blue bars and one left flickering
Fully charged: 3 steady bars

## Cleaning and Maintenance



It's recommended to do some maintenance daily to keep the machine works regularly and to prolong its service life.

Unplug the appliance and power it off before cleaning and maintenance.

### Hand Vacuum

Scrub it with water and neutral detergent. Prevent the water from flowing into any opening to avoid short-circuits and damage

### Dust Cup

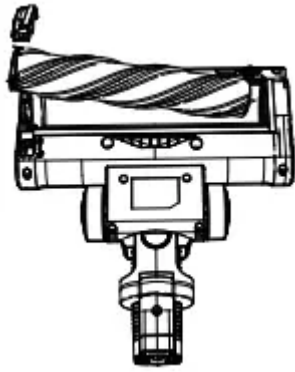
It is recommended that empty the dust cup after each use. The sign  is a reminder mark for emptying the dust cup. Please empty the dust cup once dust approaches or arrives . To dump dust, aim for the dustbin and press dust dumping button .

### HEPA Filter

Regular cleaning helps to ensure product performance. Just take out the HEPA and its cover out from the dust cup and wash under the faucet. Please put it back when it's air dried.

### Detachable Fluff Brush

Regular cleaning helps to ensure product performance. Just take out the HEPA and its cover out from the dust cup and wash under the faucet. Please put it back when it's air dried.



## **Electric Floor Brush**

It is recommended to clean once after every 4 to 5 times use of the floor brush. Remove the buckle on the floor brush and take out the fluff brush, clean hair and debris on them. Remember to put back the fluff brush and lock the buckle well.

## Troubleshooting

Problem	Possible Reason	Possible Reason
Vacuum won't work	<ol style="list-style-type: none"> <li>1. Low battery</li> <li>2. The suction port is blocked</li> </ol>	<ol style="list-style-type: none"> <li>1. Charge the vacuum fully</li> <li>2. Check and clean the suction port</li> </ol>
The vacuum power gets weak	<ol style="list-style-type: none"> <li>1. The dust cup is full/ the filter accessory is dirty</li> <li>2. The fluff brush has a clog</li> </ol>	<ol style="list-style-type: none"> <li>1. Empty the dust cup and clean HEPA filter regularly</li> <li>2. Check the fluff brush and clean the clog on it.</li> </ol>
The motor emits strange sound when working	There is a clog in the suction port/telescopic tube	<ol style="list-style-type: none"> <li>1. Check the clog and remove it</li> <li>2. Contact customer service for help if the first solution didn't work</li> </ol>
The electric floor brush won't work and the indicator light of the floor brush is off	The fluff brush gets stuck by hair/debris on it	Check for clog and clean the fluff brush as section "Cleaning and Maintenance"
The vacuum stops working suddenly	The thermostat gets triggered because of the motor overheated	<ol style="list-style-type: none"> <li>1. Allow it to cool for 30 minutes and try to restart it</li> <li>2. Contact customer service for help</li> </ol>

### Warning

This content is compiled from multiple sources and is provided for reference purposes only. It may not be complete or fully applicable to all situations. If you are unable to resolve your issue, please contact the product manufacturer or an authorized service provider for official support.

