

Safety

General Warnings

IMPORTANT SAFETY INSTRUCTIONS!

When using an electrical appliance, basic precautions should always be followed, including the following:

READ ALL INSTRUCTIONS BEFORE USING THIS VACUUM CLEANER.

WARNING: To reduce the risk of fire, electric shock, or injury:

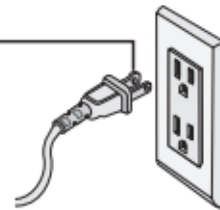
- Do not leave appliance unattended when plugged in. Unplug from outlet when not in use and before servicing.
- Do not use outdoors or on wet surfaces.
- Do not operate the unit while in the upright and locked position.
- Do not let the unit run while in any one stationary position for any period of time. Keep the unit moving while in operation.
- Do not allow to be used as a toy. Close attention is necessary when used by or near children.
- Use only as described in this manual. Use only manufacturer's recommended attachments.
- Do not use with damaged cord or plug. If appliance is not working as it should, has been dropped, damaged, left outdoors, or dropped into water, return it to a service center or call customer service at: US: 1-800-989-3535 Canada: 1-888-676-7325
- Do not pull or carry by cord, use cord as a handle, close door on cord, or pull cord around sharp edges or corners.
- Keep cord away from heated surfaces.
- Do not run appliance over cord.
- Do not unplug by pulling on cord. To unplug, grasp the plug, not the cord.
- Do not handle plug or appliance with wet hands.
- Do not put any object into openings. Do not use with any opening blocked; keep free of dust, lint, hair and anything that may reduce air flow.
- Keep hair, loose clothing, fingers and all parts of body away from openings and moving parts.
- Do not use to pick up anything that is burning or smoking, such as cigarettes, matches, or hot ashes.

- Do not use without Odor Fighting HEPA inner bag assembly in place.
- Turn off all controls before unplugging.
- Use extra care when cleaning on stairs.
- Do not use to pick up flammable or combustible liquids, such as gasoline or lighter fluid, or use in areas where they may be present.
- Do not use appliance in an enclosed space where flammable, explosive or toxic vapors are given off by oil base paint, paint thinner, some mothproofing substances, or in an area where flammable dust is present.
- Do not pick up toxic material such as chlorine bleach, drain cleaner, gasoline, etc. with this appliance.
- Use caution when vacuuming over area rug edges and fringe.
- Product contains chemicals known to the State of California to cause cancer and birth defects.

SAVE THESE INSTRUCTIONS

Household Use Only

A polarized plug has one rounded prong and one straight prong. The rounded end goes into the longest socket slot. To reduce the risk of electric shock, this equipment has a polarized plug (one blade is wider than the other). This plug will fit in a polarized outlet only one way. If the plug does not fit fully in the outlet, reverse the plug. If it still does not fit, contact qualified personnel to install the proper outlet. Do not alter the plug in any way.



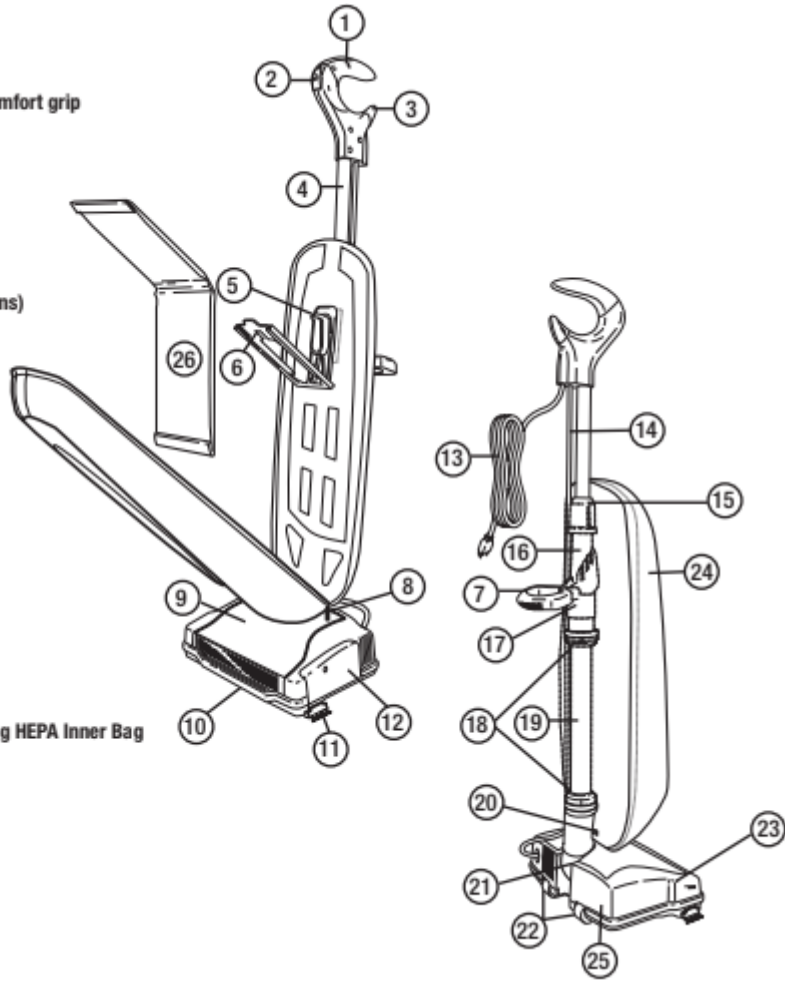
Operation

To assist you in identifying your vacuum's components, the parts have been numbered as follows.

Parts List

Parts List

- 1 Vacuum Handle with comfort grip
- 2 On/Off Switch
- 3 Cord Dump
- 4 Handle Tube
- 5 Deflector
- 6 Bag Dock
- 7 Carry Handle
- 8 Zipper
- 9 Fascia (includes light lens)
- 10 Main Bumper
- 11 Edge Brush
- 12 Belt Door
- 13 Power Cord
- 14 Cord Assembly
- 15 Handle Collar
- 16 Deflector (rear view)
- 17 Carry Handle Clamp
- 18 Collars
- 19 Lower Tube
- 20 Elastic Bag Strap
- 21 Fan Housing
- 22 Rear Wheels
- 23 Cover
- 24 Outer Bag
- 25 Power Head
- 26 Disposable Odor Fighting HEPA Inner Bag



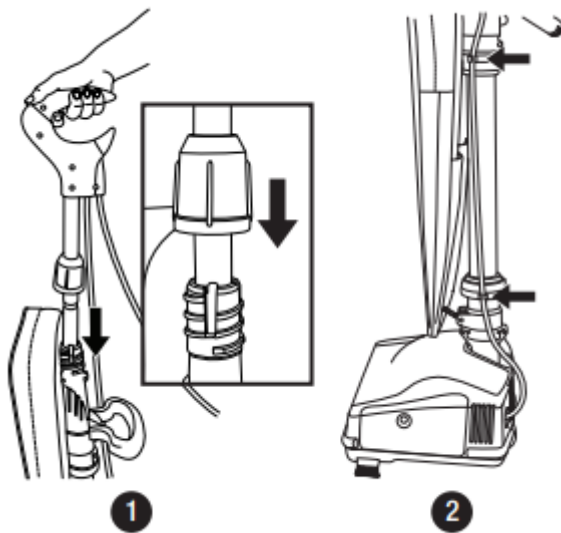
- 1. Vacuum Handle with comfort grip
- 2. On/Off Switch
- 3. Cord Dump
- 4. Handle Tube
- 5. Deflector
- 6. Bag Dock
- 7. Carry Handle
- 8. Zipper
- 9. Fascia (includes light lens)
- 10. Main Bumper
- 11. Edge Brush
- 12. Belt Door
- 13. Power Cord
- 14. Cord Assembly



15. Handle Collar
16. Deflector (rear view)
17. Carry Handle Clamp
18. Collars
19. Lower Tube
20. Elastic Bag Strap
21. Fan Housing
22. Rear Wheels
23. Cover
24. Outer Bag
25. Power Head
26. Disposable Odor Fighting HEPA Inner Bag

Assembling the Handle Tube

1. Align slot in handle tube with tab in connector. Insert the handle tube into connector. Tighten collar at base of handle tube onto the connector until it locks, “snaps”.
2. Snap cord assembly into the cord clip located on the left side of the collar. Leave excess cord at the power head to allow movement.



Operating the vacuum

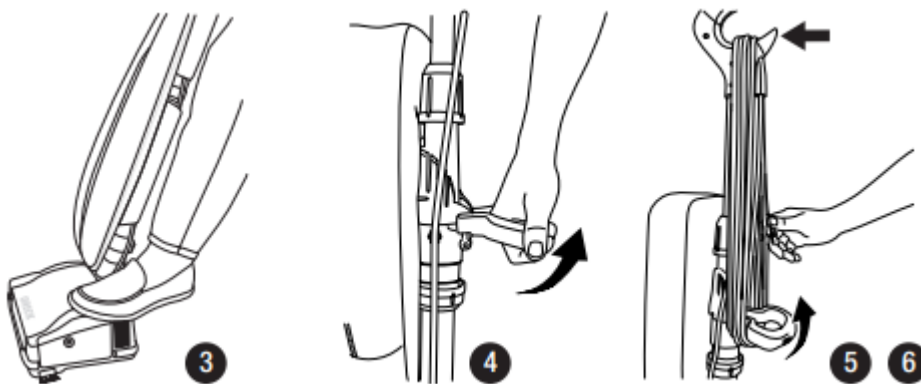
Make sure the Disposable Odor Fighting HEPA Inner bag is in place. DO NOT operate the cleaner without a HEPA Inner bag. Plug the power cord into an electrical outlet and press the On Low (I) - On High (II) - OFF (O) switch on handle assembly when ready to operate.

3. Up-Position Lock - Place foot on power head and lean handle back gently to release lock for vacuum use. Return handle to the full upright position to engage lock. The handle should be rotated to center before returning to upright position. Note: Do not operate the unit while in the upright and locked position. Do not let the unit run while in any one stationary position for any period of time. Keep the unit moving while in operation.

4. Carry Handle - Raise the carry handle located on back of the unit for easy lifting, carrying, and stair vacuuming. Lower the handle during use to eliminate obstruction.

5. Easy Power Cord Storage - Raise carrying handle and wrap power cord around carry handle and vacuum handle.

6. To release cord, twist cord dump located on vacuum handle 1/2 turn. Slide cord off handle.



Storage

Both the vacuum handle and carry handle can be used for convenient, space saving storage of cleaner.

Hang cleaner by carry handle on a sturdy fastener or vacuum handle on a closet rod.

Operating Instructions

This new ORECK Upright is one of the finest, fastest, and strongest units in its class. You'll love the way it cleans, gets under things, and it's SO lightweight and easy to use.

The following are a few simple suggestions regarding its operation:

1. When inserting a new disposable HEPA inner bag -FIRST PUFF OUT and OPEN THE BAG.
2. When the disposable HEPA inner bag is full, REPLACE IT.
3. If at any time the machine does not pick up properly or makes an unusual noise, STOP OPERATION and service.

4. Although your upright will pick up pins, paper clips, and other small objects, it is recommended that these be removed from the floor before you vacuum. Failure to do so may result in permanent damage to the motor suction fan and its housing.
5. **WARNING:** Do not use your vacuum cleaner on damp or wet surfaces. This will cause damage to the vacuum cleaner and is dangerous to the user. Damage caused by use on wet or damp surfaces is not covered under warranty.
6. For optimal performance, replace the belt every 6 months.
7. Check the disposable Odor Fighting HEPA Inner bag at least once a month.
8. **DO NOT** run the vacuum cleaner over the cord. The revolving brush could damage the cord.
9. Use caution when vacuuming over area rug edges and fringe.

General Information

The performance of your new cleaner greatly depends upon care and maintenance. The instructions in this manual will guide you in performing basic care and maintenance. To obtain the most satisfying years of service read the instructions and keep them handy for future reference.

Odor Fighting HEPA Inner Bags

Your Oreck includes an Odor Fighting HEPA Inner Bag. The disposable inner bag plays a very important role in the efficiency of your ORECK vacuum. The purpose of the disposable inner bag is to trap dirt, but at the same time it must be porous enough to allow air to pass through. If the disposable inner bag becomes clogged, no air can pass through the vacuum and cleaning cannot take place, regardless of the vacuum's power.

To keep your Upright vacuum operating at maximum efficiency, change the disposable inner bag frequently.

DO NOT FILL ABOVE THE LINE INDICATED ON THE DISPOSABLE INNER BAG.

Be sure the disposable inner bag is installed properly. Note: All disposable inner bags are not the same. Oreck offers HEPA and non-HEPA inner bags. Your Oreck HEPA or non-HEPA inner bags have been designed to be used with the ORECK Upright vacuum. Using bags other than genuine Oreck HEPA or non-HEPA disposable inner bags will affect the cleaning ability of your vacuum and could cause damage to it.



360° Glide

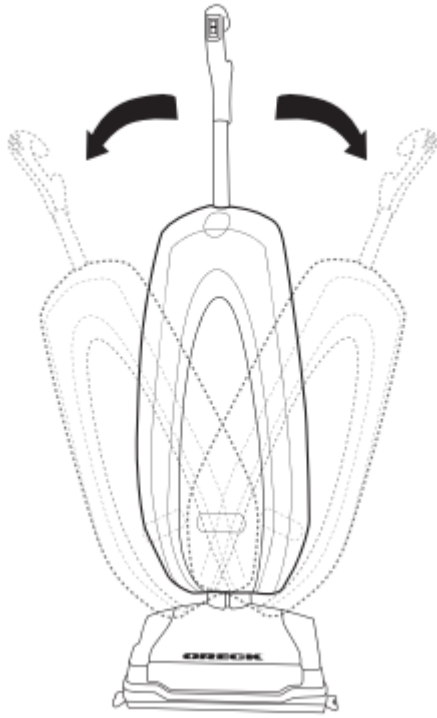
Your new Oreck Upright features the 360° Glide turning system. The 360° Glide offers an entirely new level of maneuverability to your lightweight Oreck Upright. No installation necessary. Simply turn the handle of your Oreck Upright to maneuver the unit. Go left, Go right, make sharp turns under and around furniture.

The Belt

The belt on your vacuum cleaner controls the speed of the revolving brush and is very important for the effective operation of the cleaner. If the belt becomes stretched or cut, it will cause the revolving brush to stop completely or slow down. See instructions in the manual for replacing belt.

Lubrication

The vacuum cleaner motor bearings are factory lubricated and sealed. Further lubrication is not required.



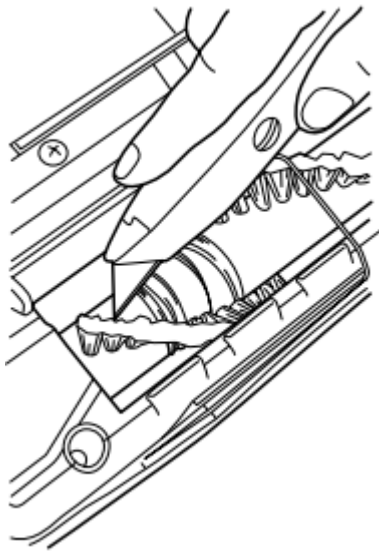
CAUTION

Wood Floors, Soft (Vinyl, Asphalt Tile, etc.) Floor Surfaces and Polished Floor Finishes

Use floor and floor finish manufacturer's recommended methods of cleaning. The roller brush may also scuff very soft finishes. Do not operate the unit while in the upright and locked position. Do not let the unit run while in any one stationary position for any period of time. Keep the unit moving while in operation.

Note: At least once a month, check for and remove excessive lint, string or hair from revolving brush. Patented cleaning grooves on brush roll will allow easier cleaning. Wipe the outside of the cleaner with a damp cloth. Also clean the connector deflector assembly area, base of cleaner and fan housing area. If there is dust in the outer bag, vacuum it or shake it out.

A little preventative maintenance will keep your cleaner looking new and will ensure continued cleaning effectiveness.



Replacing Disposable Odor Fighting HEPA Inner Bag

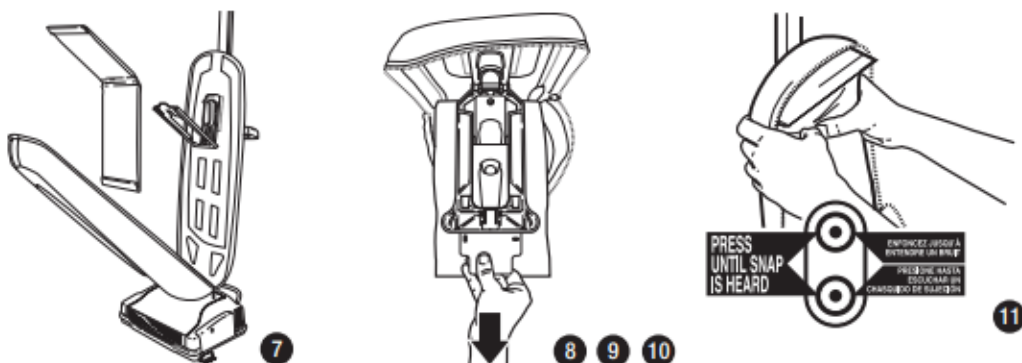
WARNING: Unplug cord from electrical outlet before servicing.

BAG REMOVAL:

7. Unzip outer bag completely.
8. Pull bag cardboard collar to release bag dock door from connector. Bag dock door will hinge downward.
9. Gently pull bag cardboard collar upward out of the bag dock. Saniseal® dust seal will close automatically.

BAG INSTALLATION:

10. Slide the cardboard collar completely onto bag dock door.
11. Firmly push bag dock door with both thumbs on indication point until it snaps.

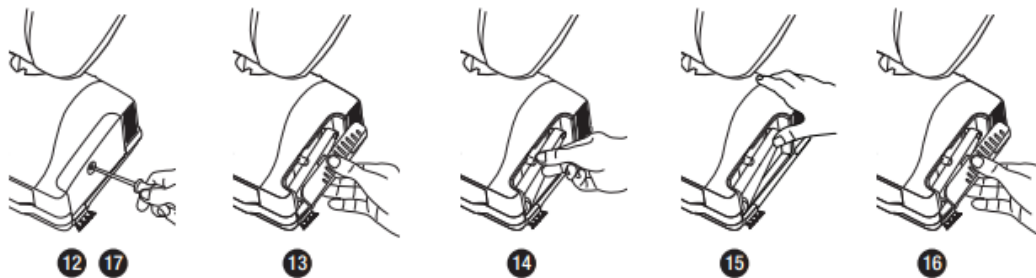


Maintenance

Replacing Worn Belt

WARNING: Unplug cord from electrical outlet before servicing.

12. Remove the door by removing the hold down screw located on side of power head.
13. Fold door away from the power head and lift it away.
14. Remove the belt from the motor drive shaft and brush roll pulley.
15. Loop the new belt over the brush roll pulley. Place the opposite end of the belt on the motor drive shaft.
16. Replace the door by placing the bottom tab on door into slots located inside power head and pressing the door closed.
17. Replace the hold down screw and tighten.

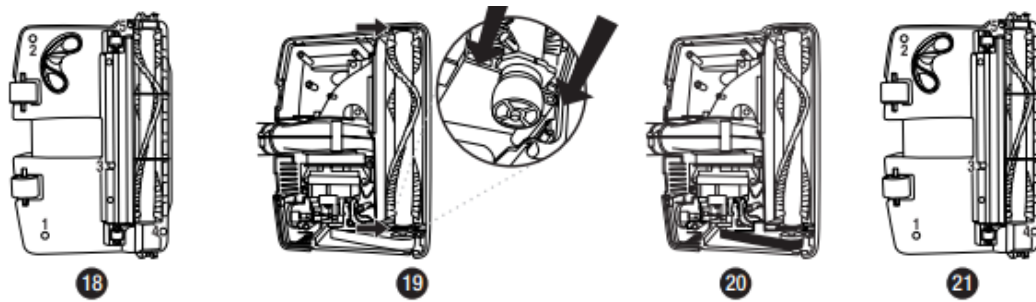


Replacing Brushroll

WARNING: Unplug cord from electrical outlet before servicing.

Your Oreck Vacuum has a brushroll that can be replaced after heavy use for improved performance.

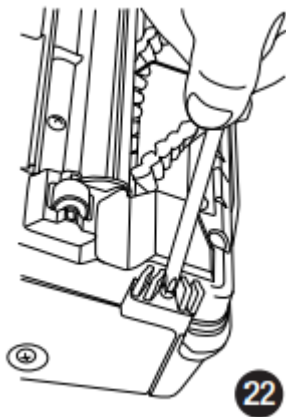
18. Remove the baseplate by removing 5 screws. Then, remove the belt and brushroll from the housing.
19. Snap the new brushroll into place.
20. Reassemble the belt.
21. Reassemble the baseplate.



Replacing Edge Brush

WARNING: Unplug cord from electrical outlet before servicing.

22. Turn the power head over. With baseplate facing up, remove the screw located in the center of each edge brush. Remove both edge brushes and replace with new ones. Replace both screws and tighten.



Replacing the LED Light

The light assembly should be replaced by an Oreck authorized service center whenever it fails to light during operation.

Stuffing or Blockage

IMPORTANT: On plush and new carpets, stuffing may occur inside the intake tube and the lower tube assembly. This is due to excessive fuzz and loose cuttings in the carpet. Stuffing could occur for the first few cleanings until all the loose material is removed. Due to the high efficiency of the cleaner, many older carpets will cause stuffing when the cleaner is first used on them. If your vacuum cleaner does not pick up properly, or makes unusual noise and the outer bag does not fluff up or balloon open, follow these steps:

WARNING: Unplug cord from electrical outlet before servicing.

23. Check for blockage at the mouth of the intake opening. If there is blockage, remove it with long-nose pliers, a screwdriver or coat hanger. If you can not reach the blockage, remove baseplate. Remove the base plate by removing 5 screws see “Replacing Brushroll”).

24. If the blockage is not at the base, remove lower tube. Unhook bag spring, releasing bottom of bag.

25. Twist lower collar counterclockwise to slide up. Pull tube out of base. Check for blockage. If blockage is in the tube, remove with a coat hanger.

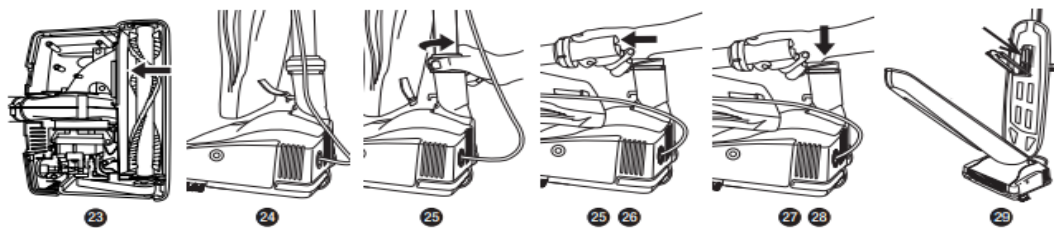
26. If tube is not blocked, look into fan housing. Remove debris with long-nose pliers, a screwdriver or coat hanger.

27. To reassemble, check O-ring on tube, and replace if damaged. Replace tube by first lining up slot at base of tube with tab inside fan housing.

28. Insert tube and push down until the tube is seated. Make sure O-ring is in place against fan housing opening. Replace and tighten collar until collar locking tabs are locked in place. Reattach bag spring.

29. Many times blockage occurs due to a full HEPA Inner bag causing dirt to back down the air flow system. When that happens, the blockage will be at the top of the system, starting in the area where the HEPA Inner bag connects to the connector assembly.

Note: If the above actions do not correct the problem, contact an Oreck authorized service center or call the customer service center. US: 1-800-989-3535 Canada: 1-888-676-7325



Troubleshooting

Service problems that appear to be major can often be solved easily. You can be your own troubleshooter by reviewing this guide.

All other servicing should be done by an Oreck authorized service center.

Problem	Check	What to do
Cleaner will not run	<ul style="list-style-type: none"> • Not plugged in properly. • No electricity in wall outlet. 	<ul style="list-style-type: none"> • Be sure cleaner is firmly plugged into wall outlet. • Check electrical source – fuse or circuit breaker.
Cleaner does not pick up.	<ul style="list-style-type: none"> • Filter Bag is full. • Nozzle or intake pivot clogged. • Belt is broken or stretched. • Brush is worn. • Bag tube clogged. • Bag pores are clogged with fine dust. • Impeller fan is broken. 	<ul style="list-style-type: none"> • Replace filter bag. See “Replacing Disposable Odor Fighting HEPA Inner Bag”. • Clear obstruction. • Replace belt. • See “Replacing Brushroll”. • Clear obstruction. • Change bag. • Return to Service Center for repair.
Unit still does not operate properly.	<ul style="list-style-type: none"> • Check all the above points. 	<ul style="list-style-type: none"> • Contact Oreck for service.

Parts

All replacement parts are sold separately. To order, call our customer service group or visit our website. Please have your model number from the data label on the bottom of the unit.

Replacement Parts

Item	
Belts, 3 Pack	0300604
Odor Fighting HEPA Inner Bag, 8 Pack	CCPK8OH

Customer Service Hotline

USA: 1-800-989-3535 Canada: 1-888-676-7325

Warning

This content is compiled from multiple sources and is provided for reference purposes only. It may not be complete or fully applicable to all situations. If you are unable to resolve your issue, please contact the product manufacturer or an authorized service provider for official support.

Document generated by [ManualsFile](#)