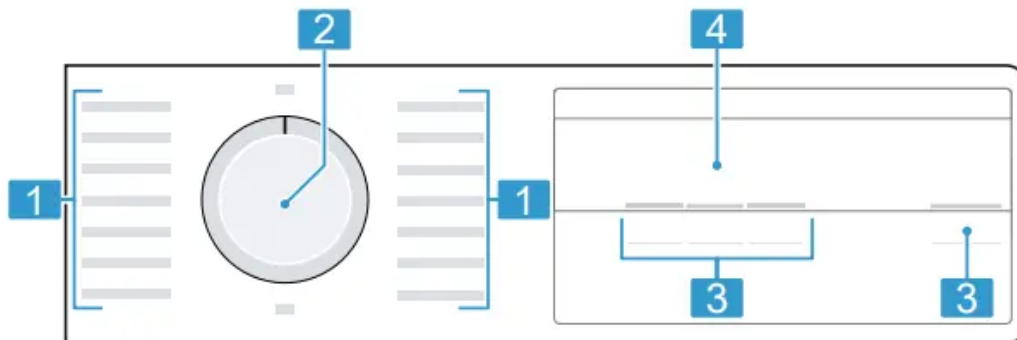


## PARTS AND FEATURES

### Controls



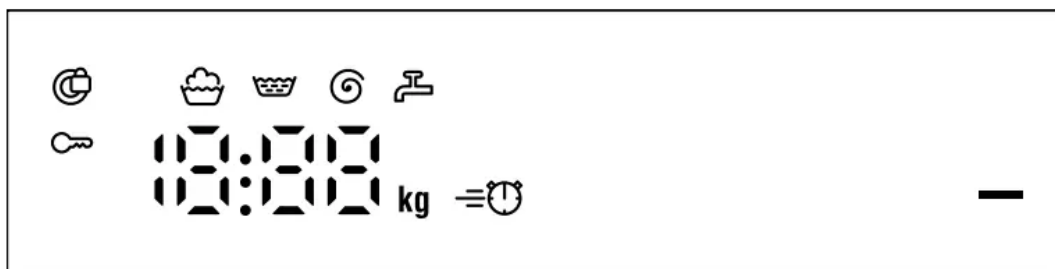
1. Programme



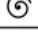
2. Programme selector


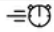


3. Buttons

4 Display

### Display panel



Display	Designation	Description
0:40 <sup>1</sup>	Programme duration/ programme time re- maining	Approximate expected programme duration or pro- gramme time remaining.
10h <sup>1</sup>	"Ready in" time	The programme end has been set and the remaining number of hours is displayed. → "Buttons", Page 28
8 kg <sup>1</sup>	Recommended load	The maximum load capacity for the selected pro- gramme in kg.
- - - 1400	Spin speed	Set spin speed in rpm. → "Buttons", Page 28 0= No final spin, only draining - - -: Rinse Hold, no draining
—	Start/Pause	Start, cancel or pause <ul style="list-style-type: none"> <li>■ Lights up: The programme is running and can be cancelled or paused.</li> <li>■ Flashes: The programme can be started or continued.</li> </ul>
	Wash	Programme status
	Rinse	Programme status
	Spin	Programme status
<sup>1</sup> Example		


Display	Designation	Description
- - -	Rinse Hold	Programme status
End	End of programme	Programme status
	Childproof lock	<ul style="list-style-type: none"> <li>■ Lights up: The childproof lock is activated.</li> <li>■ Flashes: The childproof lock is active and the programme selector has been adjusted. → "Deactivating the childproof lock"</li> </ul>
	SpeedPerfect	Short wash activated. → "Buttons"
	Door	<ul style="list-style-type: none"> <li>■ Lights up: The door is locked and cannot be opened.</li> <li>■ Flashes: The door is not closed properly.</li> <li>■ Off: The door is unlocked and can be opened.</li> </ul>
	Tap	<ul style="list-style-type: none"> <li>■ No water pressure. → "Error code / Fault display / Signal"</li> <li>■ The water pressure is too low.</li> </ul>
E:60 / -2B <sup>1</sup>	Error	Error code, error display, signal. → "Error code / Fault display / Signal"

## Buttons

## Buttons

Below is an overview of the buttons and their setting options.

The selection of programme settings depends on the selected programme. You can see the selection options for each programme in the overview for ^ "Programmes", Page 29.

Button	Selection	Description
Start/Reload	<ul style="list-style-type: none"><li>■ Start</li><li>■ Cancel</li><li>■ Pause</li></ul>	Start, cancel or pause the programme.
Speed Perfect	<ul style="list-style-type: none"><li>■ Activate</li><li>■ Deactivate</li></ul>	Activate or deactivate a short washing programme. <b>Note:</b> Energy consumption increases. The washing result is not affected by this.
Finish in	1-24 hours	Set the programme end. The programme duration is already included in the set number of hours. Once the programme has started, the programme duration is displayed.
Spin Speed	----1400	Adjust the spin speed or activate---(Rinse Hold). If---is selected, the water is not drained at the end of the washing cycle and the spin cycle is deactivated. The laundry remains in the water used for rinsing.
 3 sec.	<ul style="list-style-type: none"><li>■ Activate</li><li>■ Deactivate</li></ul>	Activate or deactivate the childproof lock. Disable the control panel to prevent unwanted or accidental operation.

		If the childproof lock is activated and the appliance has been switched off, the childproof lock remains activated.
Start/Reload	Basic settings	Change the basic settings for the appliance.

## LAUNDRY

You can wash all items that the manufacturer has marked as machinewashable on the care label and fabrics made from hand-washable wool using your appliance.

### Prepare the laundry

#### ATTENTION!

Objects remaining in the laundry may damage the laundry and the drum.

► Remove all items from any pockets in your laundry before using the appliance.

► To protect your appliance and the laundry, prepare the laundry beforehand.

- Empty all pockets
- Brush sand out of all collars and pockets
- Close bed covers and cushion covers
- Close all zips, Velcro fasteners, hooks and eyes
- Tie cloth belts and apron strings together or use a mesh laundry bag
- Remove curtain hooks and lead strips or use a mesh laundry bag
- Use a mesh laundry bag for small items of laundry such as children's socks
- Separate items of laundry and shake them out
- Wash large and small items of laundry together
- Dab fresh stains with soapy water (do not rub them)
- Some stubborn or dried-in stains can be removed by washing several times

### Sorting laundry

► To improve washing results and prevent discolouration, sort the laundry according to the following criteria before washing.

- Type of fabric and fibre type
- Whites

- Colours
  - Wash new coloured items separately the first time you wash them.
- Soiling
- Care symbols on the care labels

## Degrees of soiling

Degree of soiling	Soiling	Examples
Light	<ul style="list-style-type: none"> <li>■ No dirt or stains are visible</li> <li>■ Laundry has absorbed odours</li> </ul>	Light summer clothing or sports clothing that has been worn for a just a few hours
Normal	Dirt or light stains are visible	<ul style="list-style-type: none"> <li>■ T-shirts, shirts or blouses are sweat-soaked or have been worn a few times</li> <li>■ Towels or bedding that has been used for up to one week</li> </ul>
Heavy	Dirt or stains are clearly visible	Tea towels, baby items or work clothing

## Detergents and care products

You can protect your appliance and your laundry by selecting and using the correct detergents and care products. You can use all detergents and care products which are suitable for domestic washing machines.

**Note:** Please read the information in the Safety and Preventing material damage sections to ensure that you use the appliance safely

The manufacturer's instructions for use and dosage can be found on the packaging.

### Notes

- Only use liquid detergents that are self-flowing
- Do not mix different liquid detergents
- Do not mix detergent and fabric softener
- Do not use products which have developed a top layer or are highly congealed
- Do not use products containing solvents, caustic agents or volatile substances (e.g. bleach)
- Use dyes sparingly as salt may damage stainless steel
- Do not use bleaching agents in the appliance

### Detergent recommendation

This information helps you to choose the right detergent for your fabrics.

Detergent	Fabrics	Programme	Temperature
Standard detergent with optical brighteners	Heat-resistant white fabrics made from cotton or linen	Cottons	From cold up to 90 °C
Detergent for colours without bleach or optical brighteners	Coloured fabrics made from linen or cotton	Cottons	From cold up to 60 °C
Detergent for colours/delicates without optical brighteners	Coloured fabrics made from easy-care fibres or synthetic materials	Easy Care	From cold up to 60 °C
Detergent for delicates	Delicate fabrics made from silk or viscose	Delicates/Silk	From cold up to 40 °C
Detergent for woollens	Wool	Wool	From cold up to 40 °C

## Detergent dosage

Use the correct detergent dosage to achieve optimal washing results and save resources.

The detergent dosage depends on:

- The amount of laundry
- Degree of soiling
- Water hardness

You can find out how hard your water is from your local water company or measure it yourself using a water hardness tester.

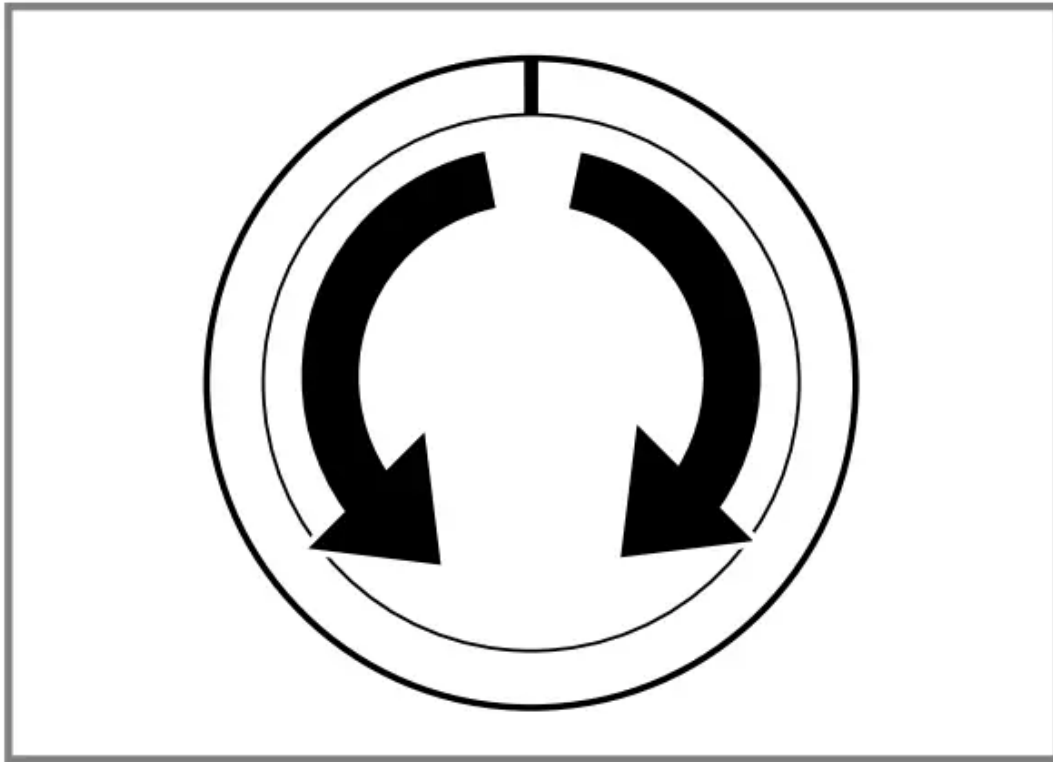
## Water hardness

Hardness range	Total hardness in mmol/l	German degrees in °dH
soft (I)	0–1.5	0–8.4
medium (II)	1.5– 2.5	8.4–14
hard (III)	over 2.5	over 14

# BASIC OPERATION

## Switching on the appliance

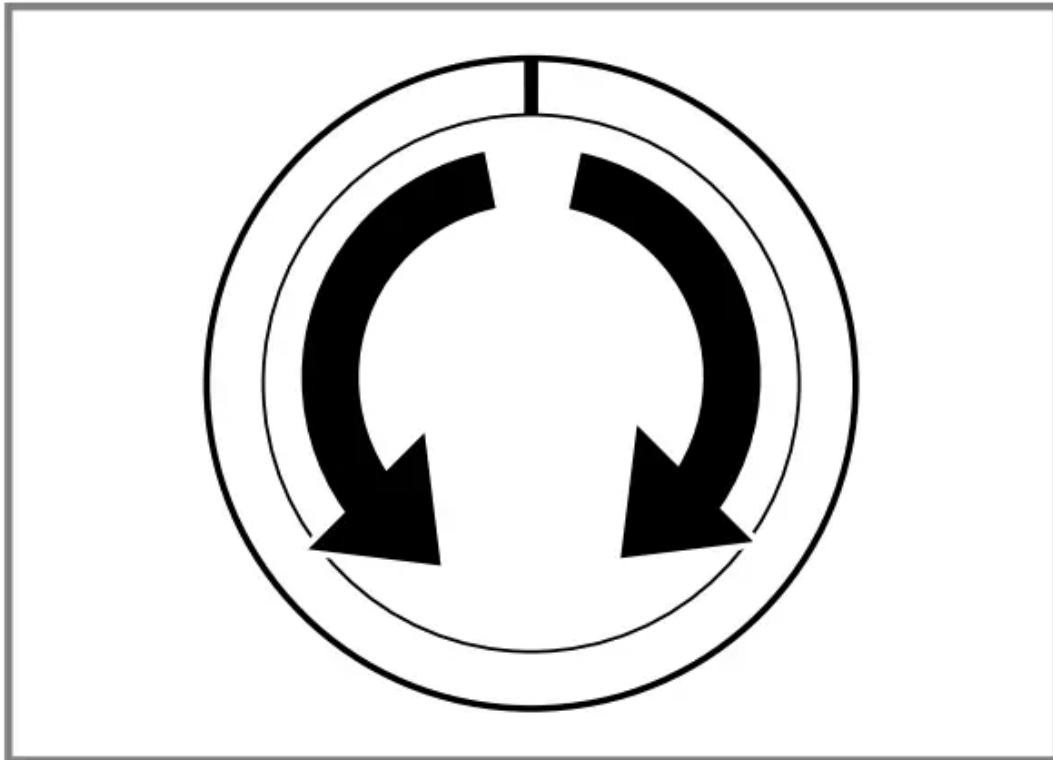
- ▶ Turn the programme selector to a programme.



**Note:** The drum is lit up after the door is opened and closed and once the programme has started. The light goes out automatically.

### Setting a programme

1. Set the programme selector to the required programme



2. If necessary, adjust the programme settings

## Adjusting the programme settings

Depending on the programme and programme progress, you can adjust or activate/deactivate the settings.

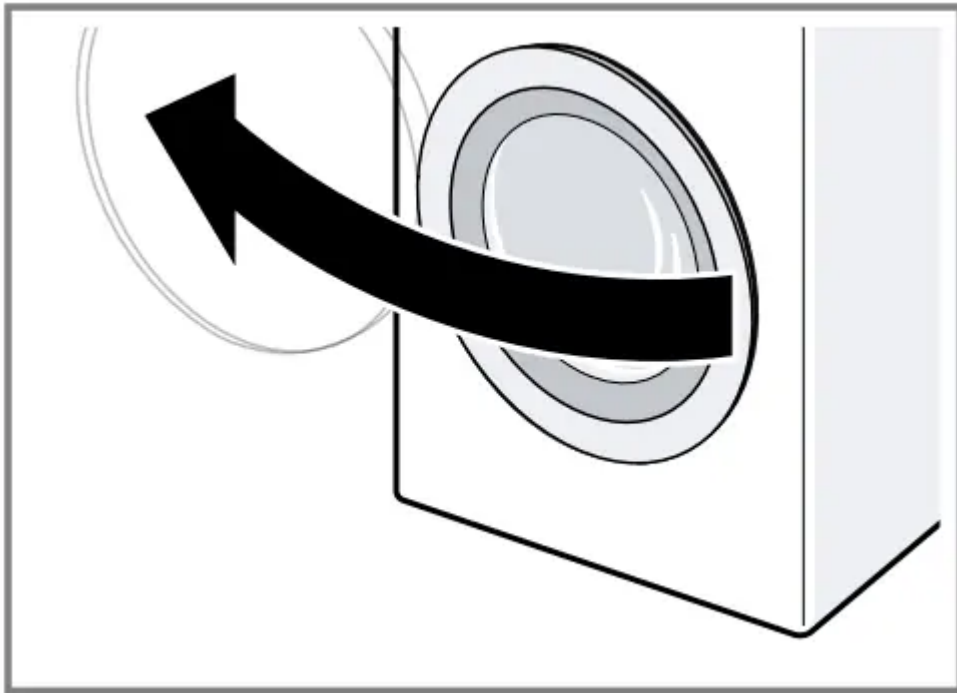
**Note:** Overview of all programme settings:

**Requirement:** A programme has been set.

► Adjust the programme settings. The programme settings are not saved permanently for the programme.

## Loading laundry

1. Open the door.



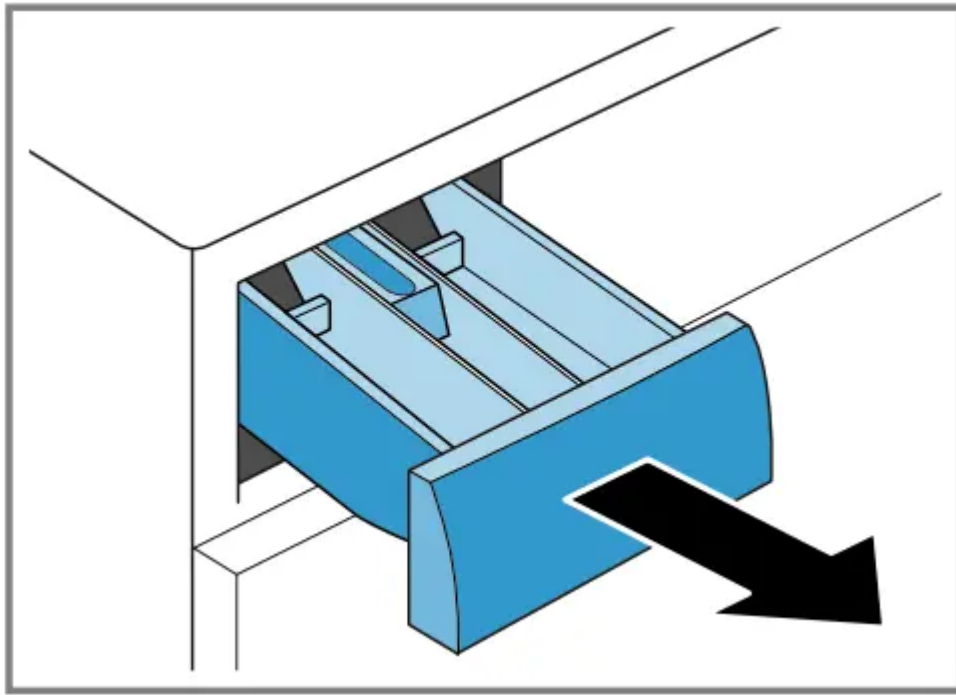
2. Ensure that the drum is empty.
3. Separate the laundry and place it in the drum.
4. **Note:** Ensure that there is no laundry trapped in the door.

Close the door.

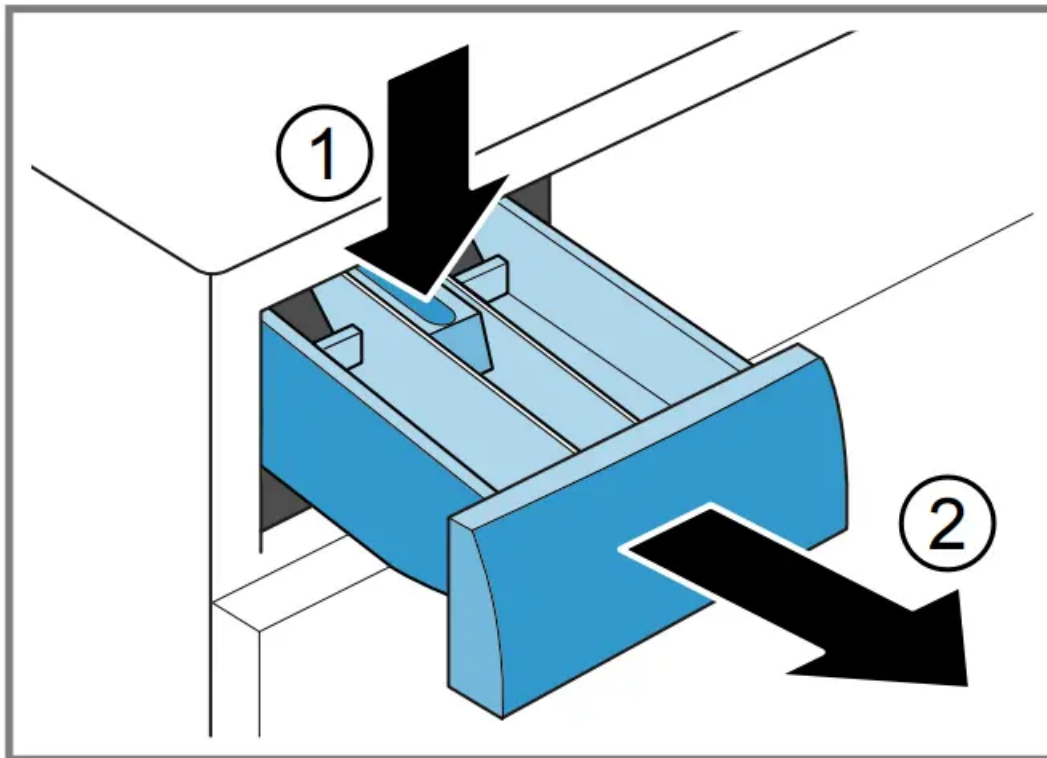
## Using a measuring aid for liquid detergent

If you order the measuring aid as an accessory, you must use the measuring aid.

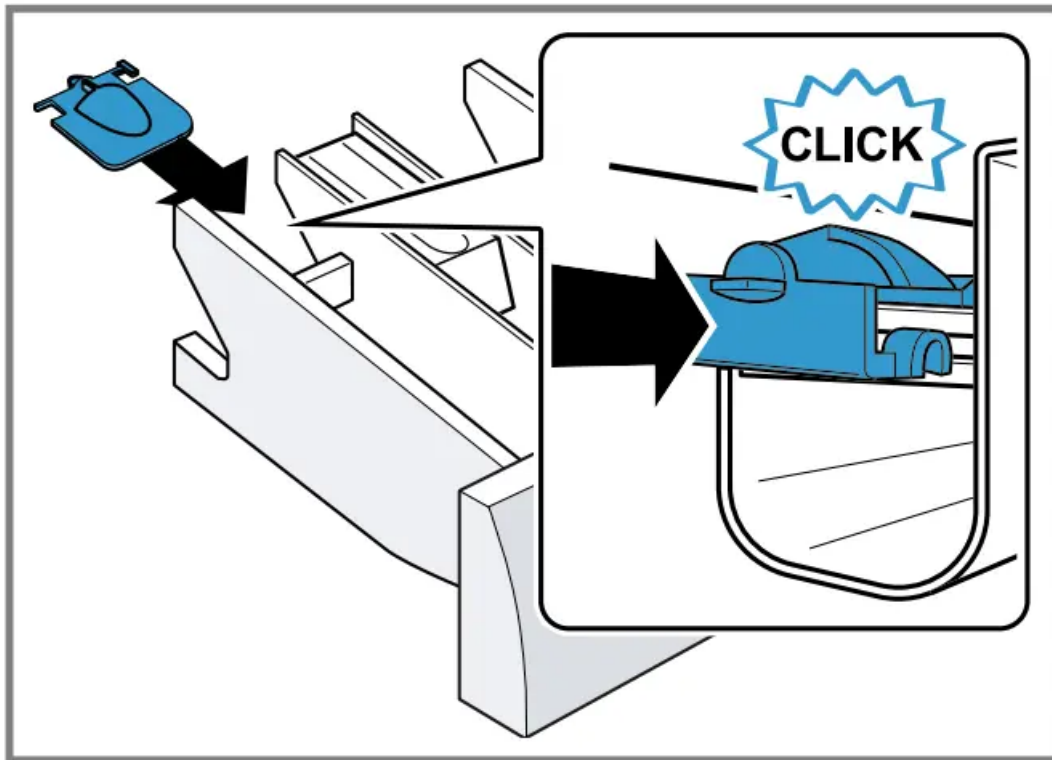
1. Pull out the detergent drawer.



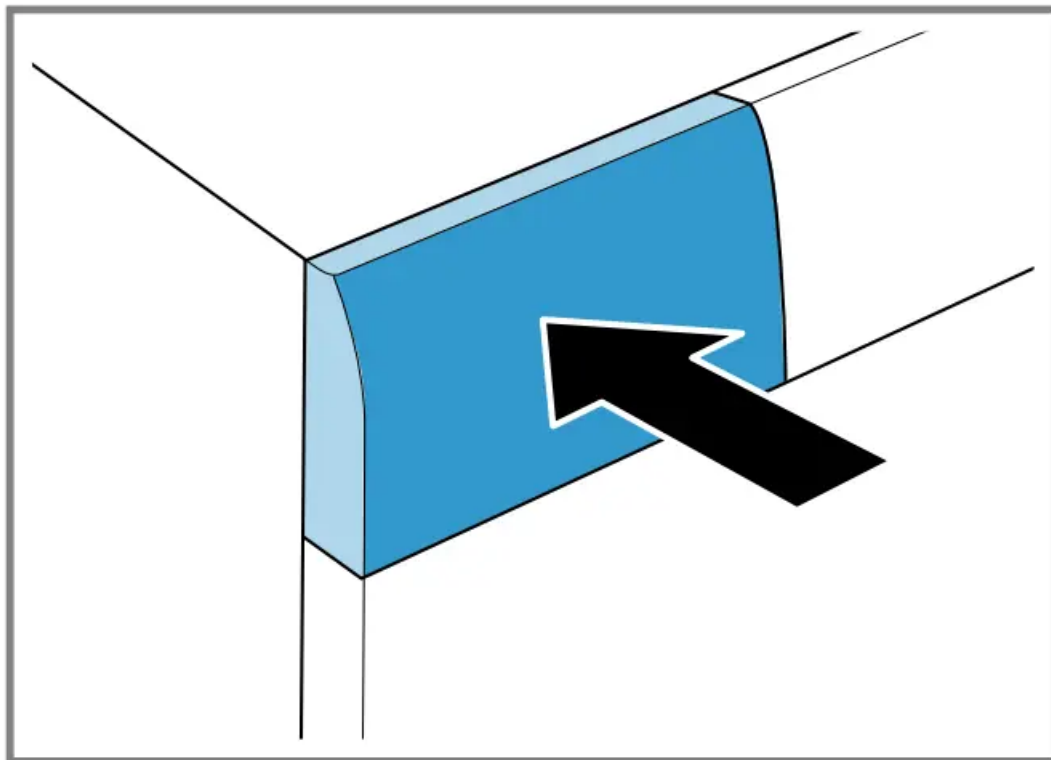
2. Press down on the insert and remove the detergent drawer.



3. Insert the measuring aid.



4. Insert the detergent drawer.

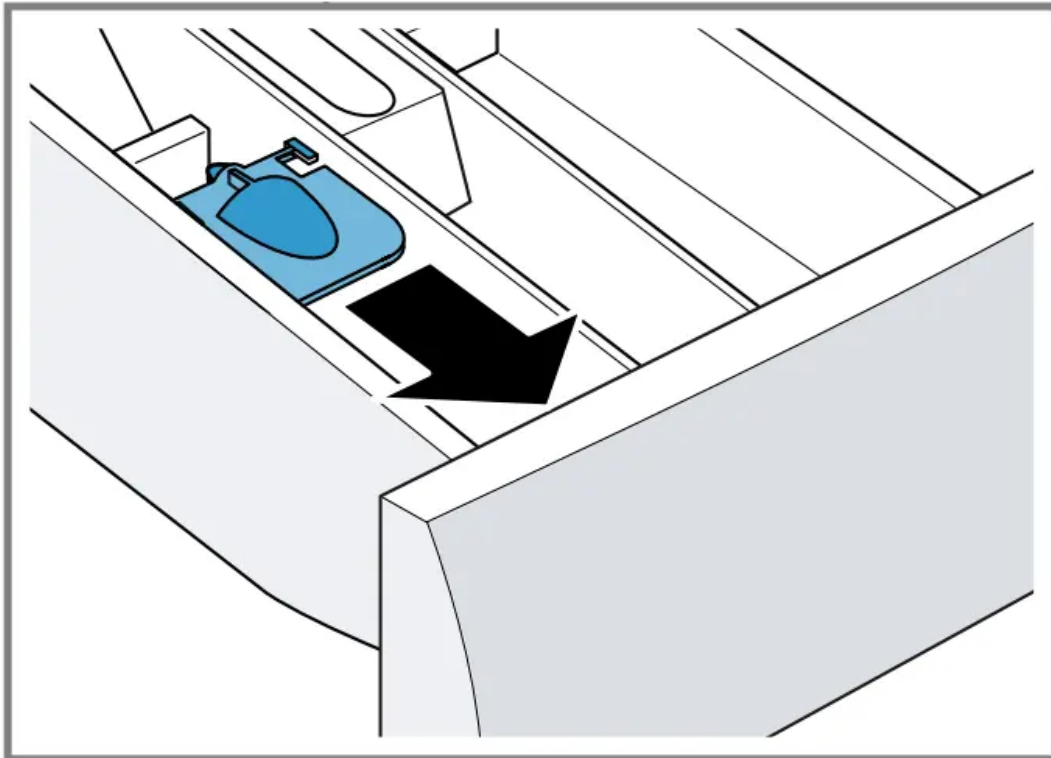


### Use the measuring aid for liquid detergent

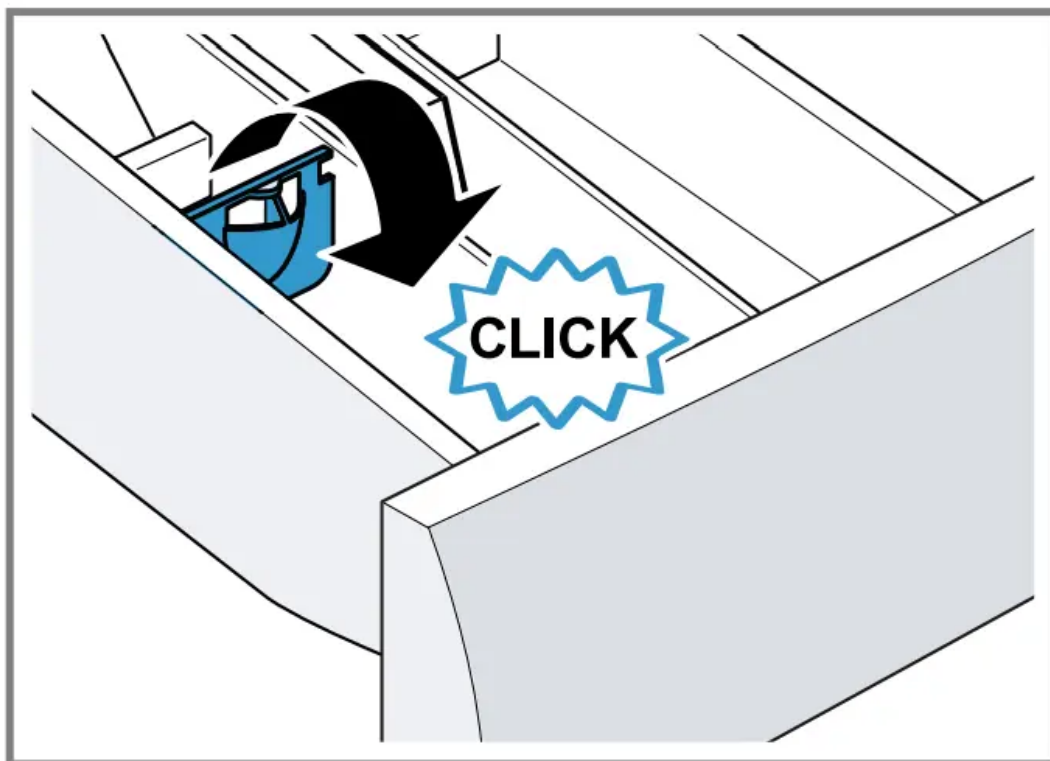
To add liquid detergent, you can use a measuring aid in the detergent drawer.

1. Pull out the detergent drawer.

2. Slide the measuring aid forwards.



3. Fold the measuring aid down and click it into place.



4. Push in the detergent drawer.

## Adding detergent and care product

**Notes** Do not use the measuring aid for liquid detergent for gel detergents, washing powder, or if Prewash or Ready in" time are activated.

**Requirement:** Find out the optimum dosage for detergent and care product.

1. Pull out the detergent drawer.
2. Pour in detergent.
3. If required, add the care product.
4. Push in the detergent drawer.

## Starting the programme

**Note:** If you want to change the time until the programme ends, set the Ready in" time first.

► Press Start/Reload.

- The drum rotates and load detection takes place. This can take up to 2 minutes, after which water enters the drum.
- The display shows either the programme duration or the "Ready in" time.
- After the programme has ended, the display shows: End.

## Adjusting the "Ready in" time before the programme starts

You can readjust the selected "Ready in" time before the programme starts.

1. Press Start/Reload.
2. Press Finish in repeatedly until the display indicates the desired Ready in" time.
3. Press Start/Reload.

## Soaking laundry

You can soak the laundry before washing in the appliance by pausing the programme.

**Note:** No additional detergent is required. The washing solution is then used for washing.

1. Start the programme.
2. To pause the programme, after approx. 10 minutes, press Start/Reload.
3. To resume the programme, after the desired soaking time, press Start/Reload.

## Adding laundry

1. Press Start/Reload. The appliance is paused and checks whether it is possible to add or remove laundry. Take note of the programme status.
2. Add or remove laundry.

3. Close the door.
4. Press Start/Reload.

### **Cancelling the programme**

Once the programme has started, you can cancel it at any time.

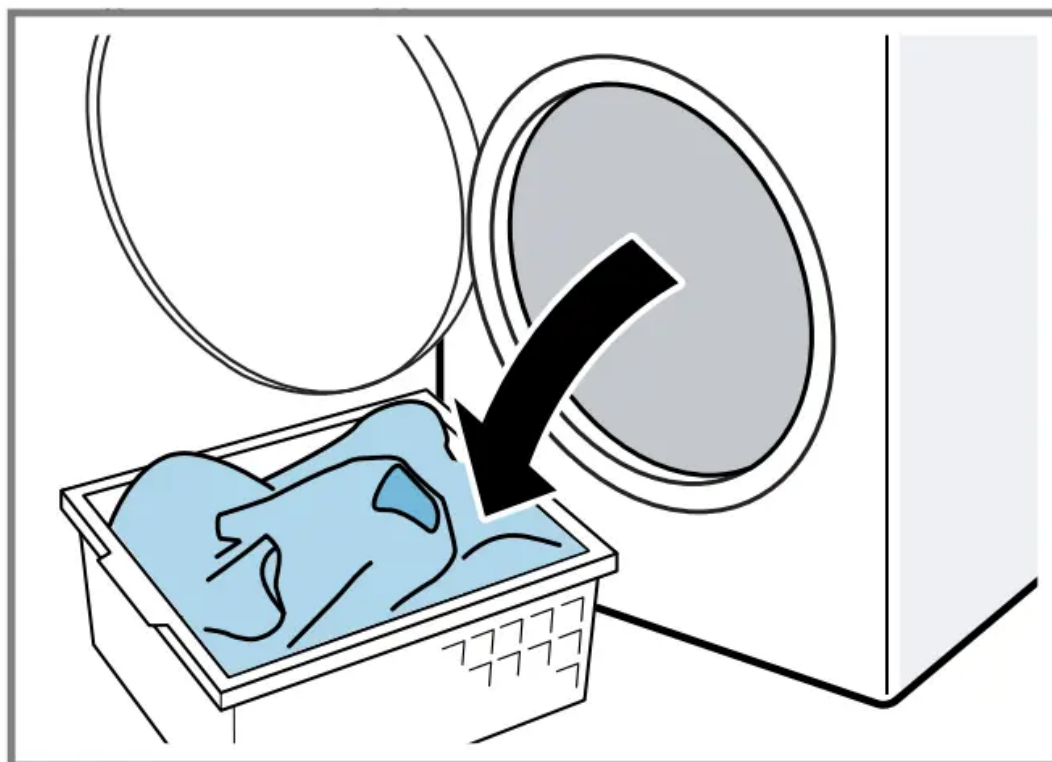
1. Press Start/Reload.
2. Open the door. The appliance door remains locked for safety reasons if the temperature and water levels are high.
  - If the temperature is high, start the Rinse programme.
  - If the water level is high: Start the Spin or Drain programme.
3. Remove the laundry.

### **Resuming the programme when the programme status is Rinse Hold**

1. Set the Spin or Drain programme.
2. Press Start/Reload.

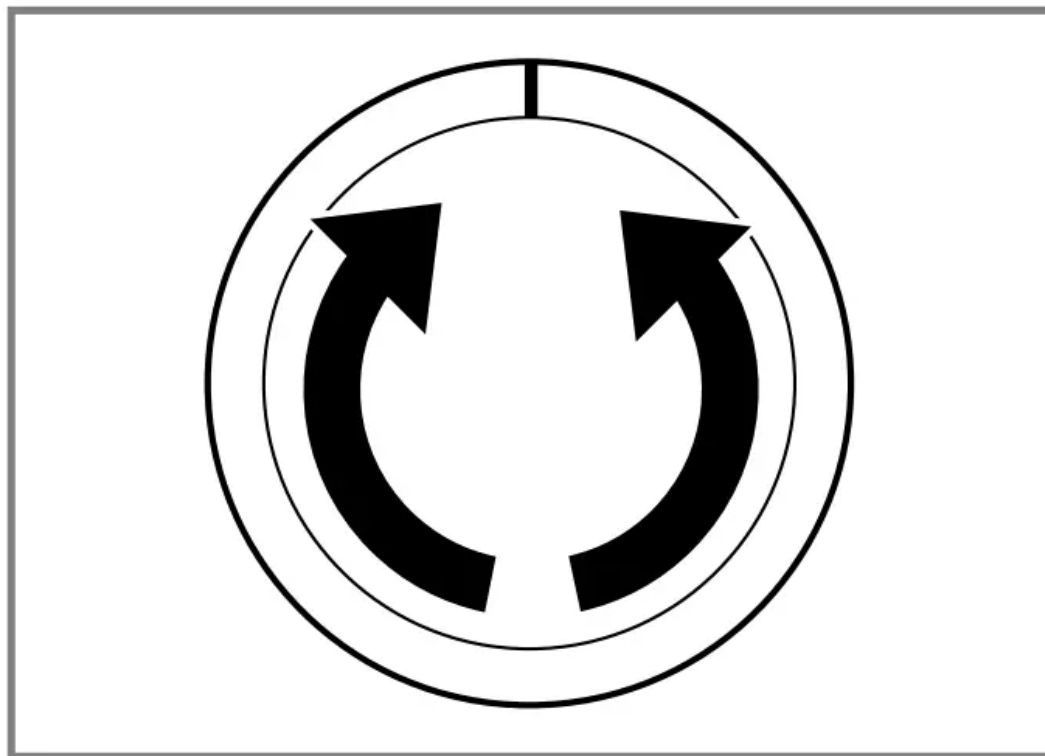
### **Unloading the laundry**

1. Open the door.
2. Remove the laundry.

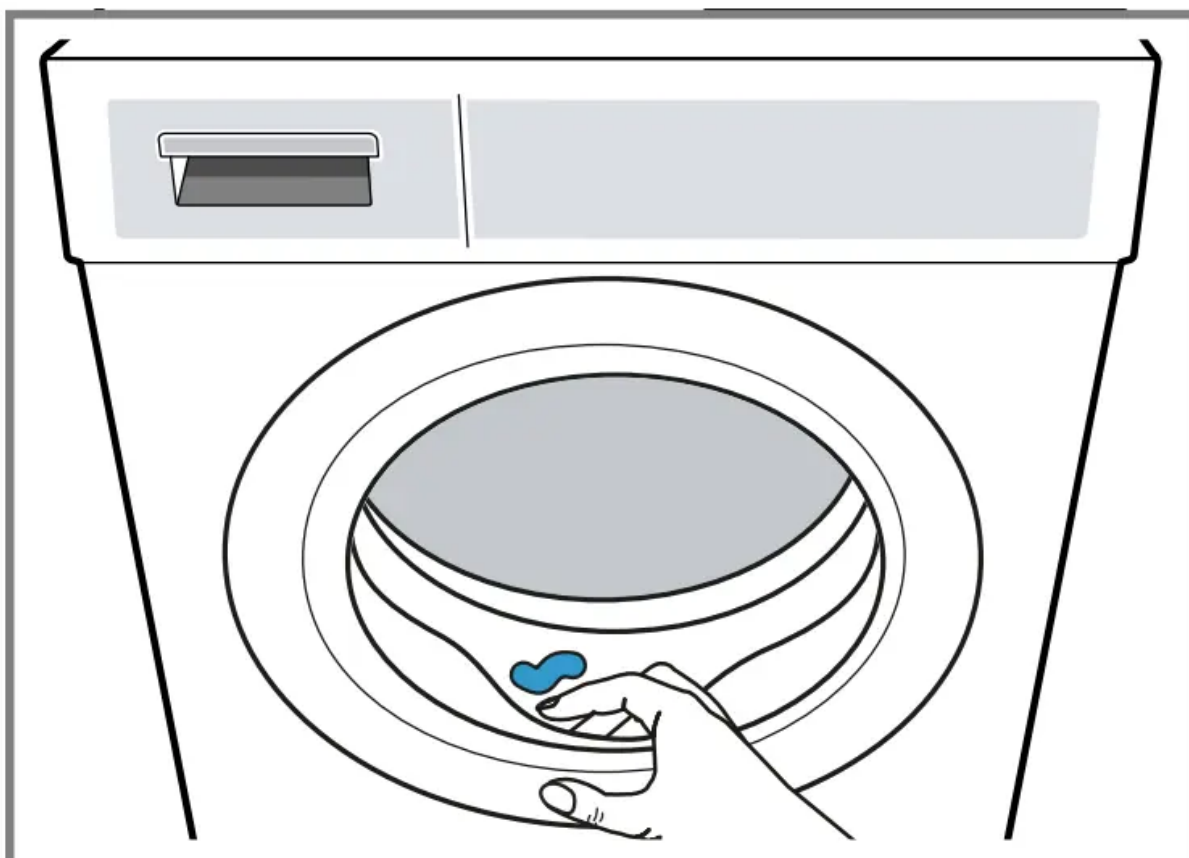


## Switching off the appliance

1. Turn the programme selector to Off.



2. Wipe the rubber gasket dry and remove any foreign objects.




3. Leave the door and detergent drawer open so that residual water can evaporate.

## Childproof lock

Secure your appliance against being operated unintentionally using the controls.

### Activating the childproof lock


► Press and hold the two  3 sec. buttons for approx. 3 seconds.

- The display shows .
- The controls are locked.
- The childproof lock remains active even after the appliance has been switched off.

### Deactivating the childproof lock

**Requirement:** To deactivate the childproof lock, the appliance must be switched on.

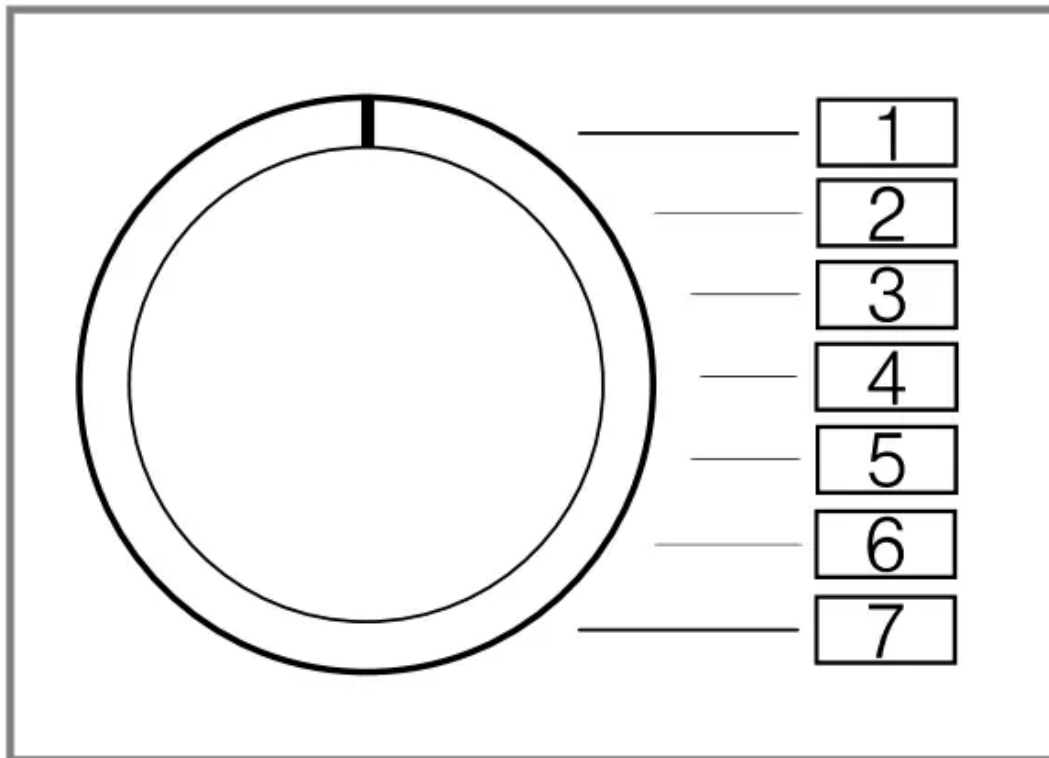
► Press and hold the two  3 sec. buttons for approx. 3 seconds.

-  goes out in the display.

## BASIC SETTINGS

### Overview of the basic settings

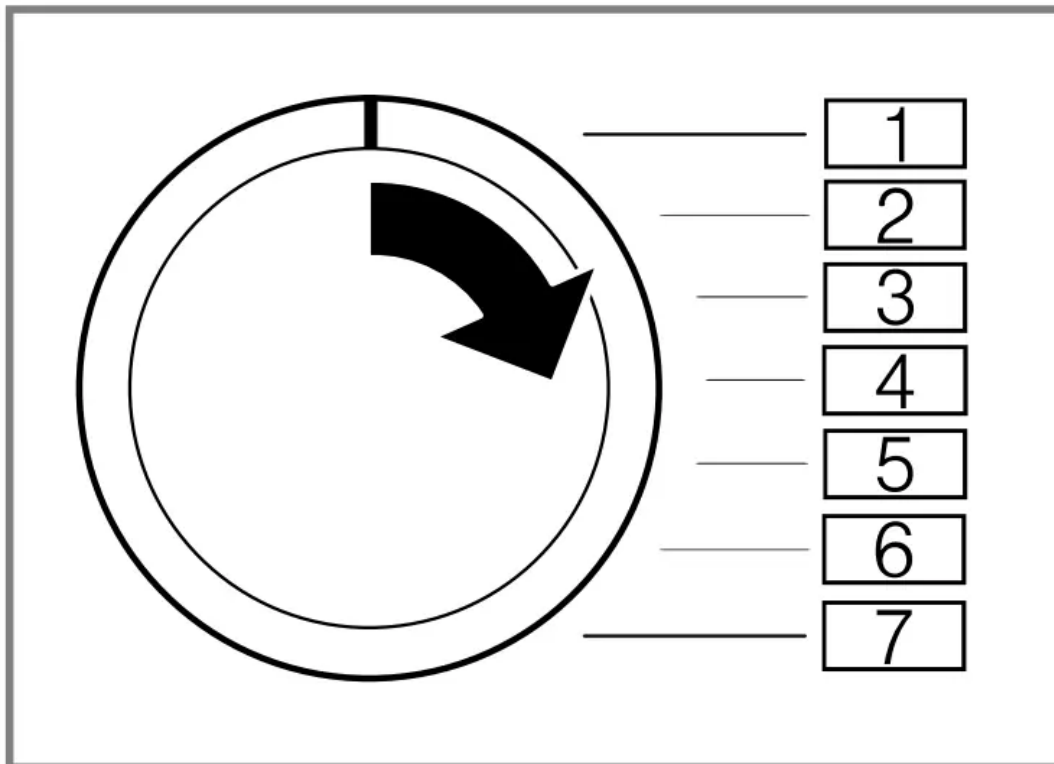
Below is an overview of the basic settings on your appliance.



Basic setting	Programme position	Value	Description
End signal	2	0 (off) 1 (quiet) 2 (medium) 3 (loud) 4 (very loud)	Set the volume of the signal at the end of the programme.
Button signal	3	0 (off) 1 (quiet) 2 (medium) 3 (loud) 4 (very loud)	The volume of the audible signal emitted when the buttons are pressed.

## Changing the basic settings

1. Set the programme selector to position 1.



2. Press Start/Reload and, at the same time, turn the programme selector to position 2.
  - The display shows the current value.
3. Set the programme selector to the required position.
4. To change the value, press Finish in.
5. To save the changes, switch off the appliance.

## CLEANING AND SERVICING

To keep your appliance working efficiently for a long time, it is important to clean and maintain it carefully.

### Tips on appliance care

Follow the tips for appliance care to ensure your appliance works correctly in the long term.

Wipe down the housing and the control panel with nothing but water and a damp cloth.	The appliance parts remain clean and hygienic.
Remove all detergent residue, spray residue or other residues immediately.	Fresh deposits are easier to remove without leaving any residue.
Keep the appliance door and detergent drawer open after use.	This allows the residual water to dry, reducing odours in the appliance.

### Cleaning the drum

If you often wash at a washing temperature of 40 °C and lower or the appliance has not been used for a long period, clean the drum.

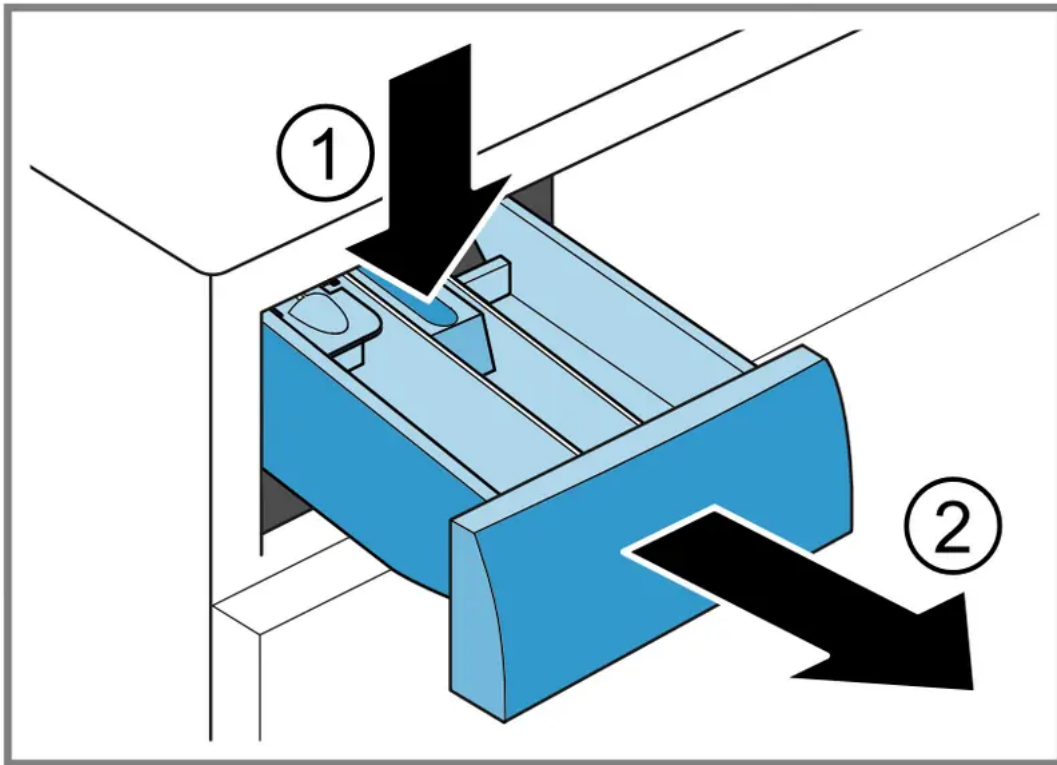
► Run the Cottons 60° programme without laundry.

Add washing powder.

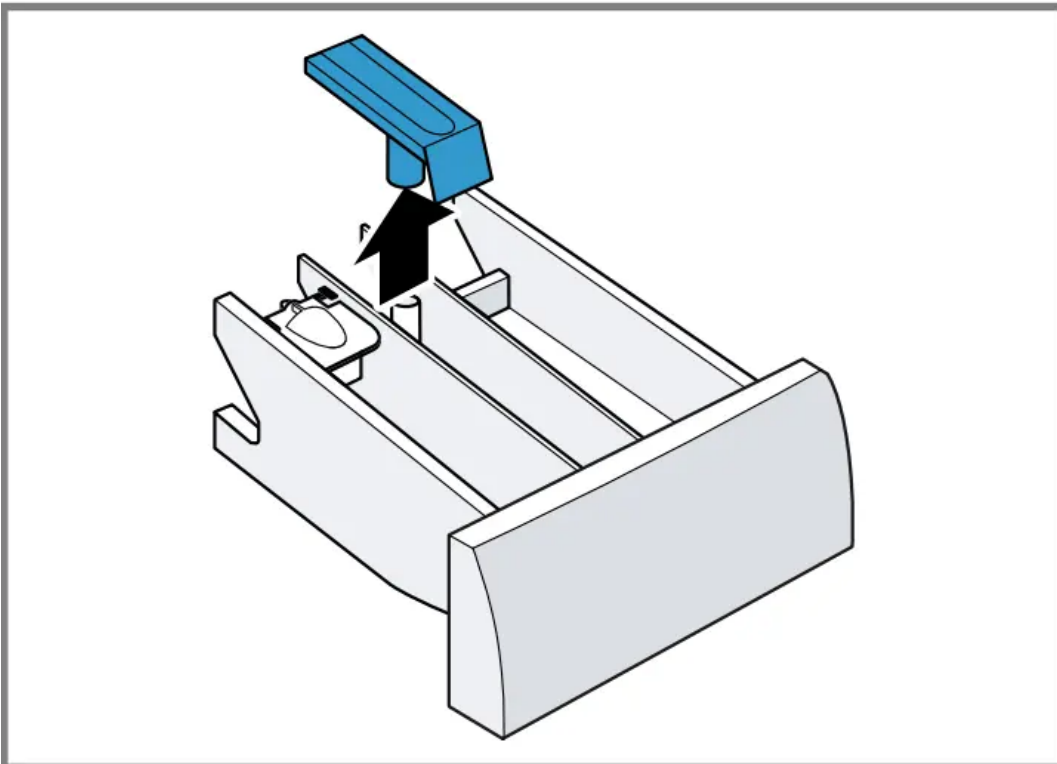
### Detergent drawer and housing

If the washing machine contains detergent or fabric softener residues:

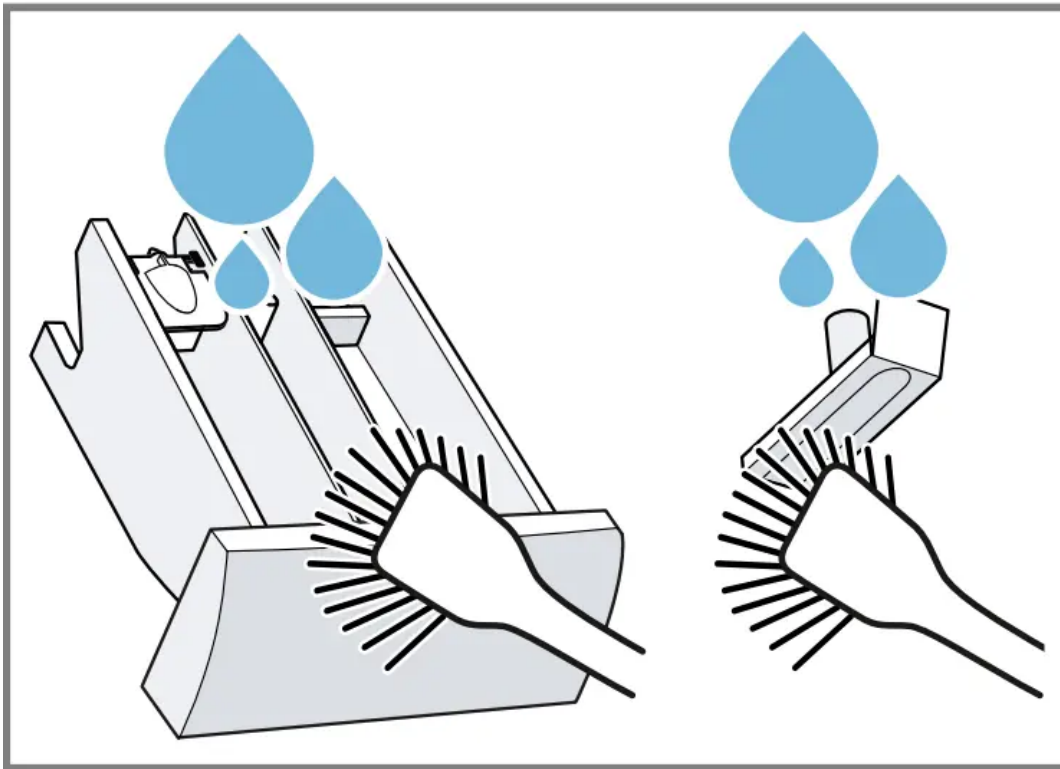
1. Pull out the detergent drawer.
2. Press down the insert and remove the drawer.



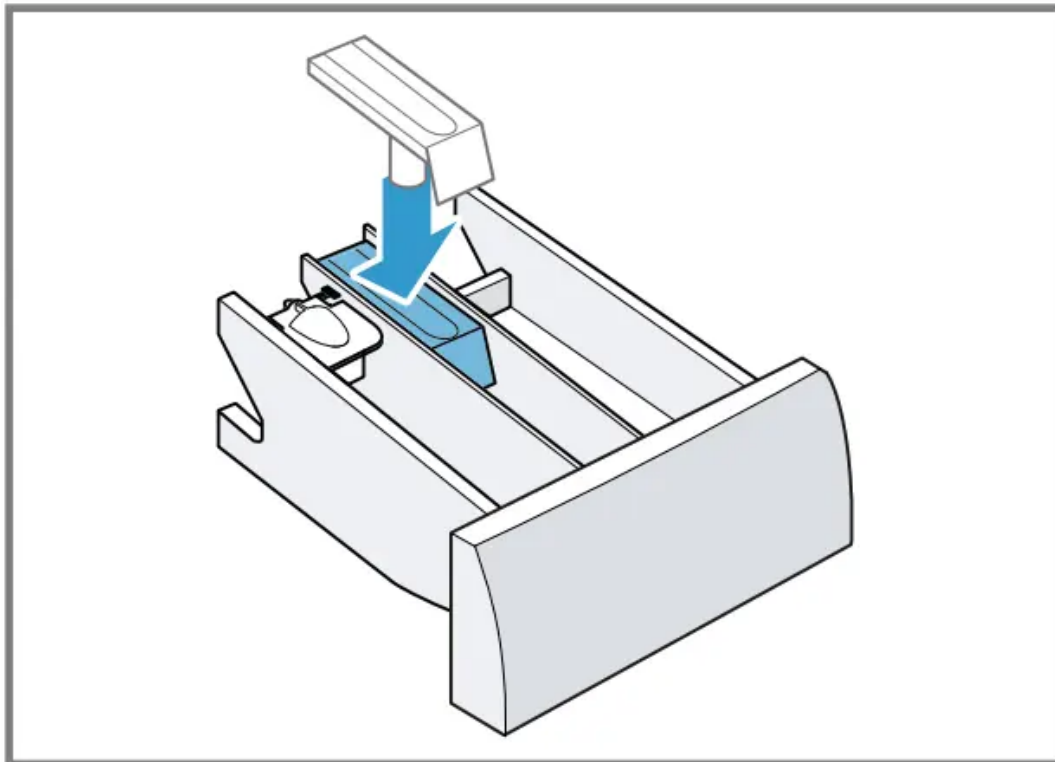
3. Press out the insert upwards from below.



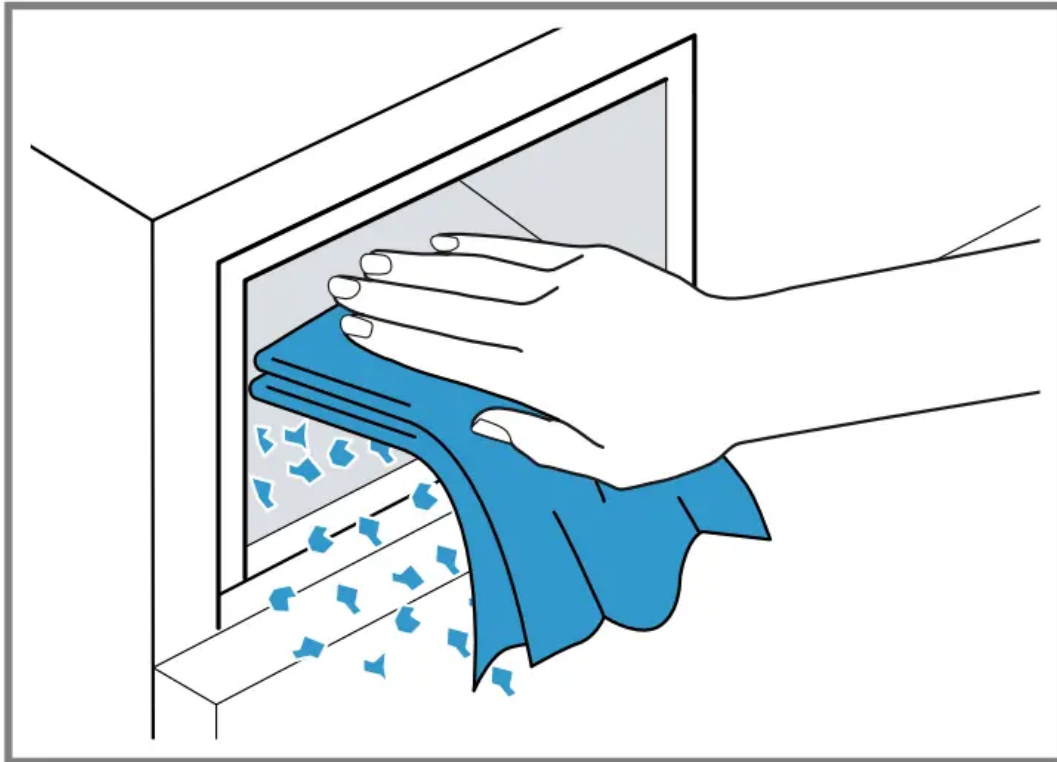
4. Clean the detergent drawer and insert with water and a brush, and then dry them.



5. Fit the insert and lock it into place.



6. Cleaning the opening for the detergent drawer.



7. Push in the detergent drawer.

## Descaling

If you add detergent correctly, you do not need to descale your appliance. If you still wish to use descaler, follow the manufacturer's instructions for use.

**ATTENTION!** The use of unsuitable descaling agents, e.g. for coffee machines, may damage the appliance.

► For this appliance, only use descaling agents that are available from the manufacturer's website or our after-sales service.

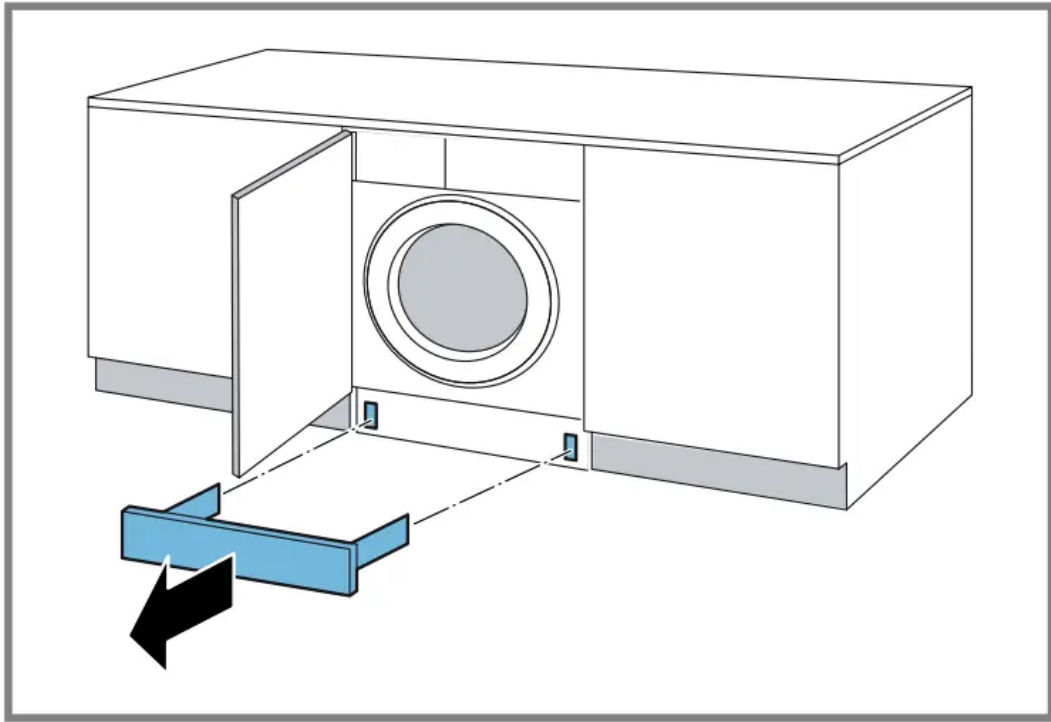
## Cleaning the drain pump

Clean the drain pump in the event of faults, e.g. blockages or rattling noises.

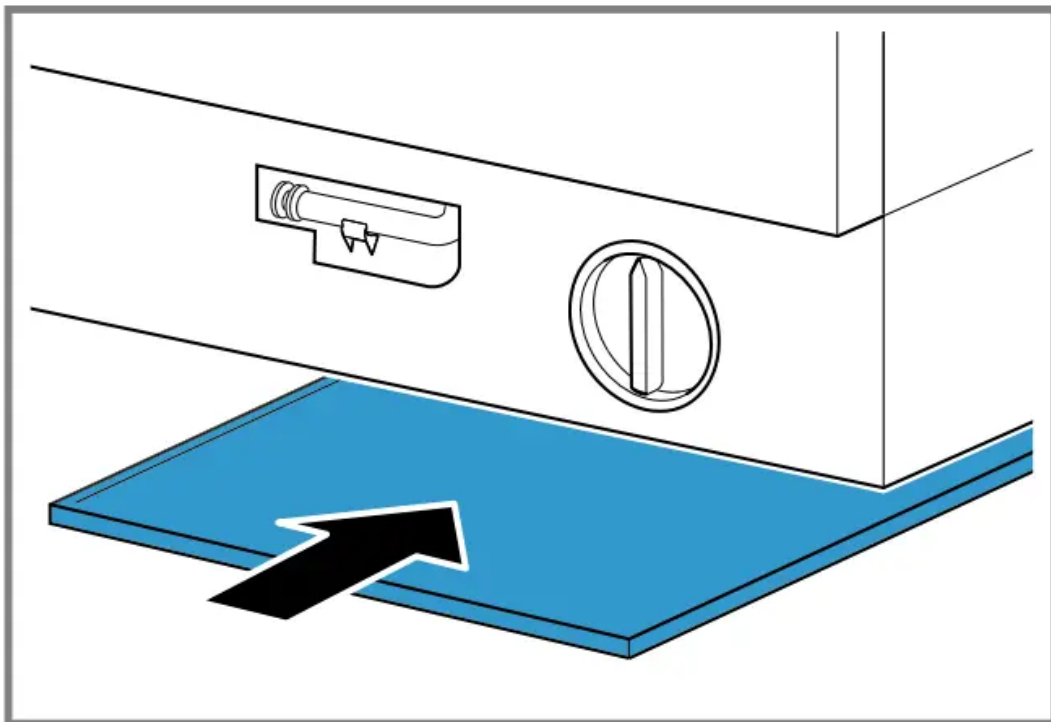
---

### Emptying the drain pump

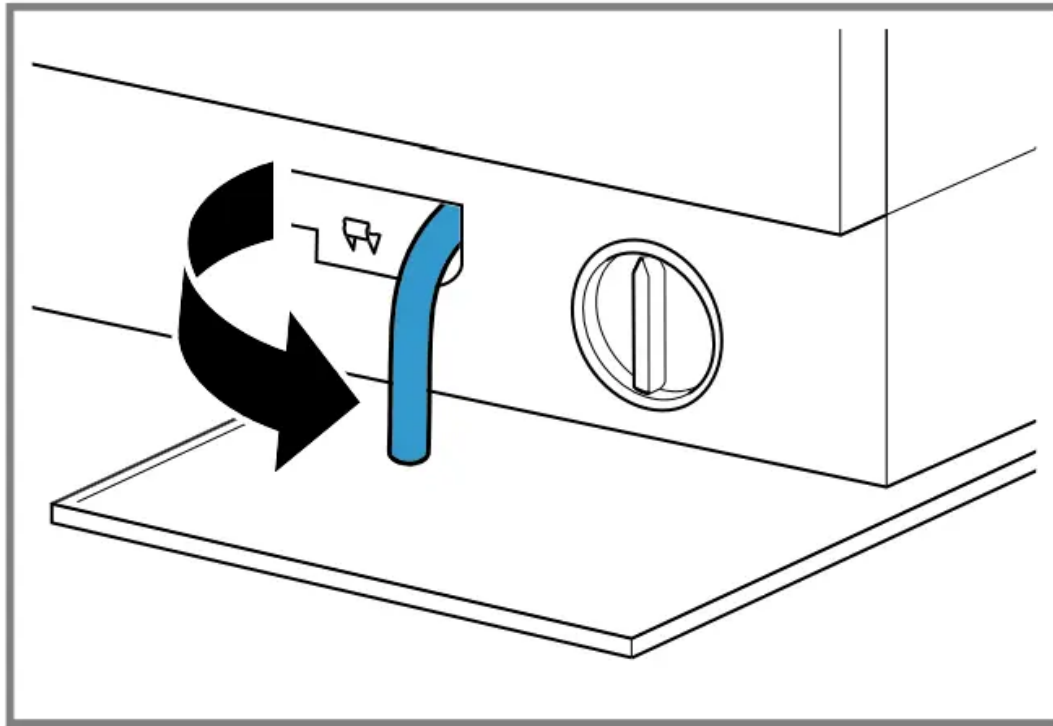
1. Turn off the water tap.
2. Switch off the appliance.
3. Disconnect the appliance's mains plug from the power supply.
4. Remove the base panel.



5. Slide a receptacle under the opening.



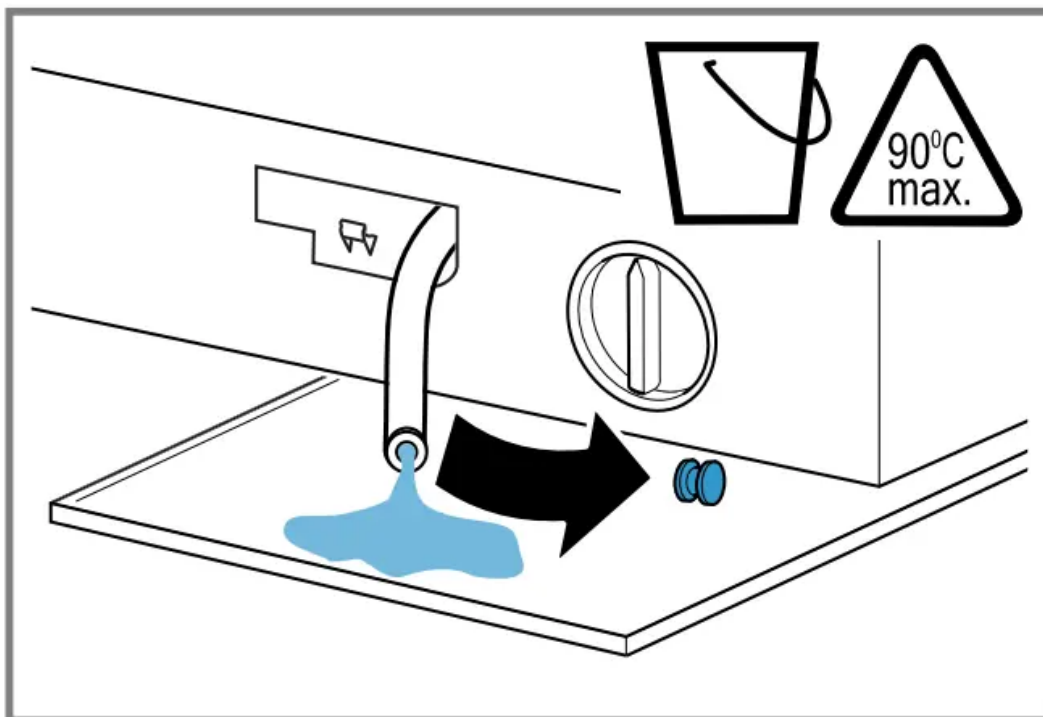
6. Take the drain hose out of the holder.



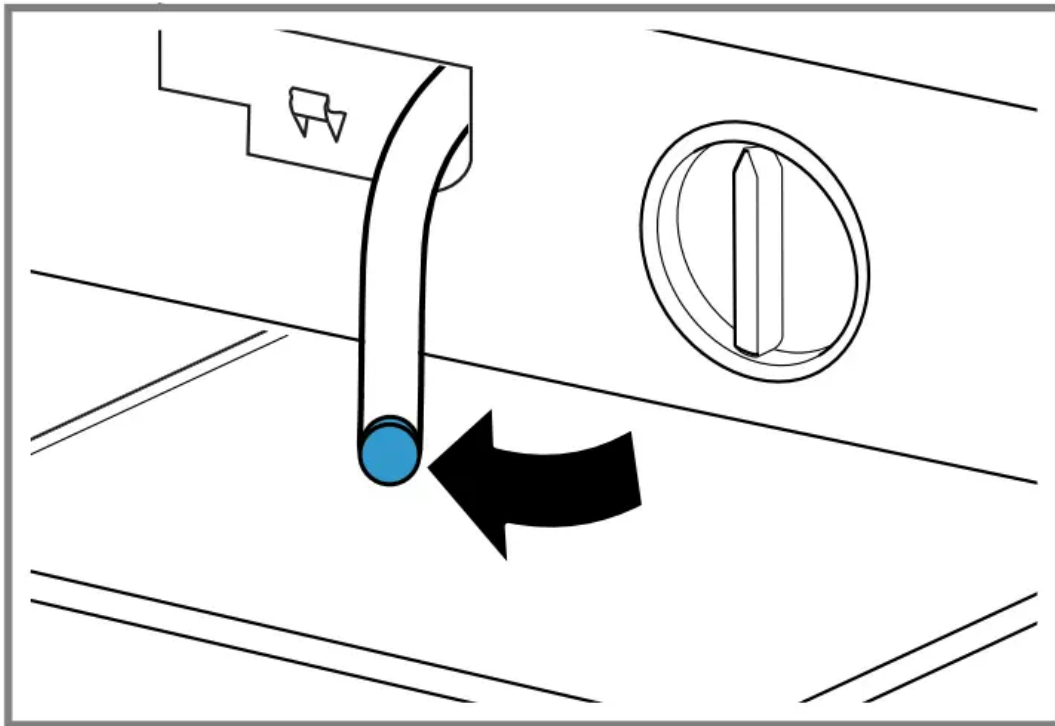
7. CAUTION - Risk of scalding! When you wash at high temperatures, the detergent solution gets hot.

► Do not touch the hot detergent solution.

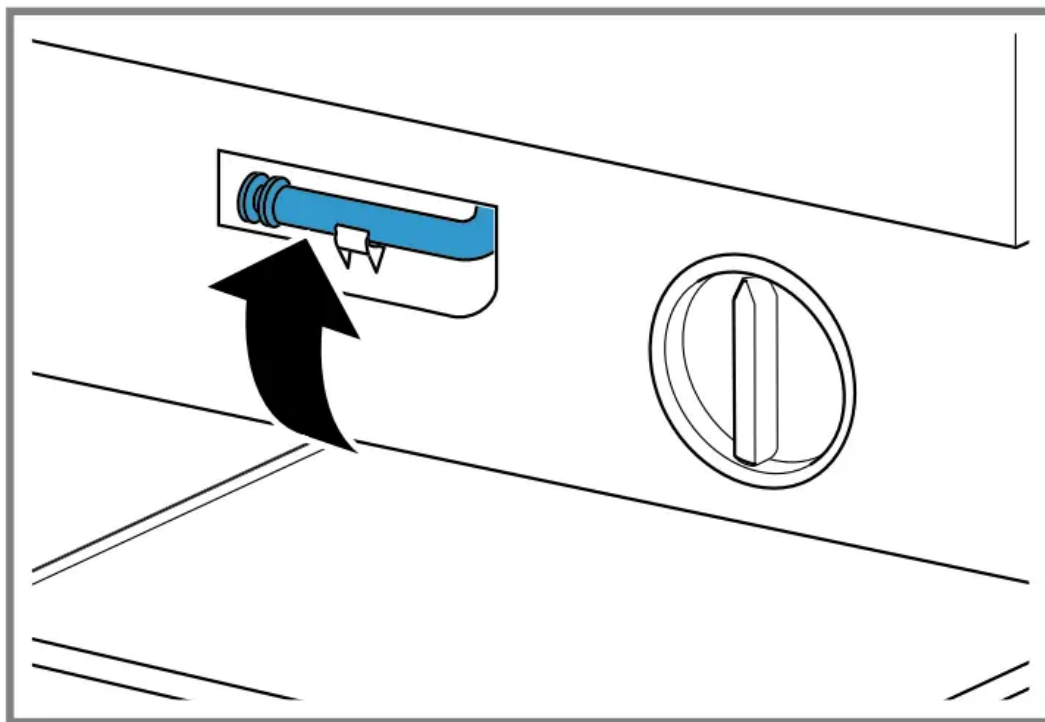
To allow the detergent solution to flow out into the container, remove the sealing cap.



8. Firmly press on the sealing cap.



9. Insert the drain hose into the holder.



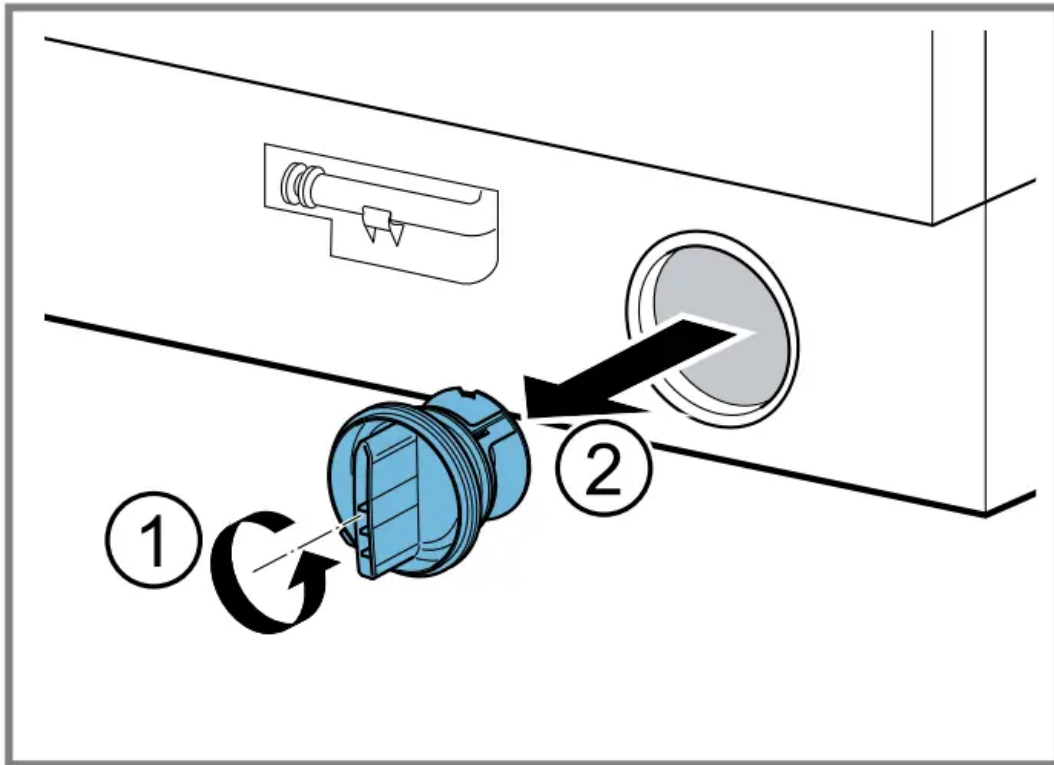
---

### Cleaning the drain pump

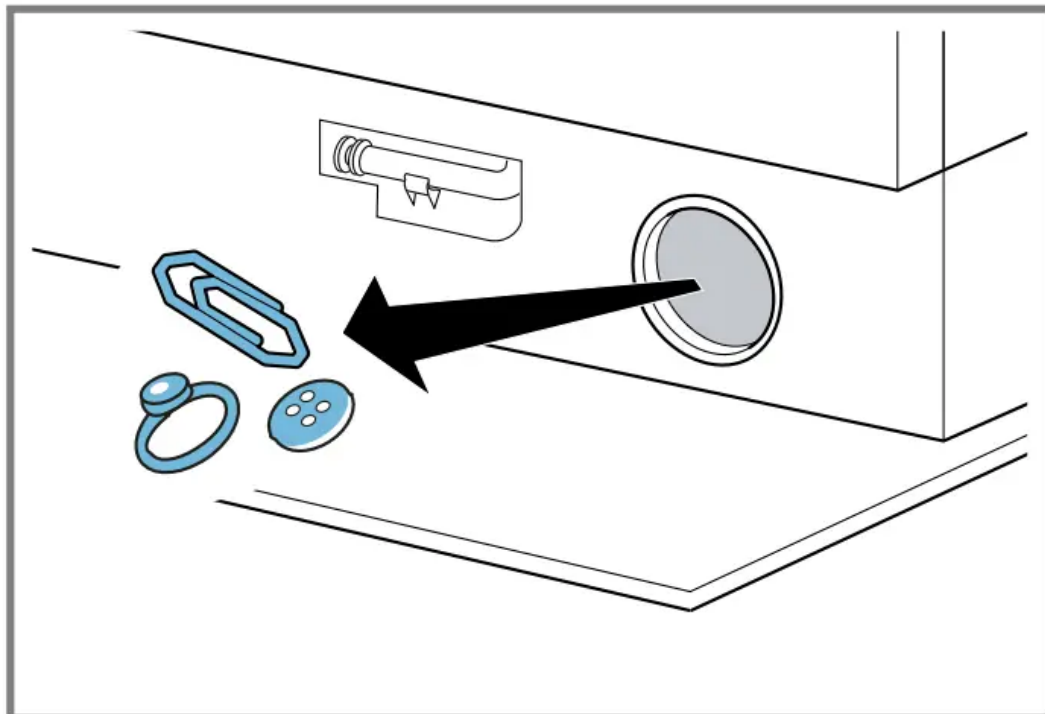
**Requirement:** The drain pump is empty.

1. Since water may remain in the drain pump, unscrew the pump cap carefully.
  - The filter insert in the pump housing may become stuck due to coarse particles of dirt.

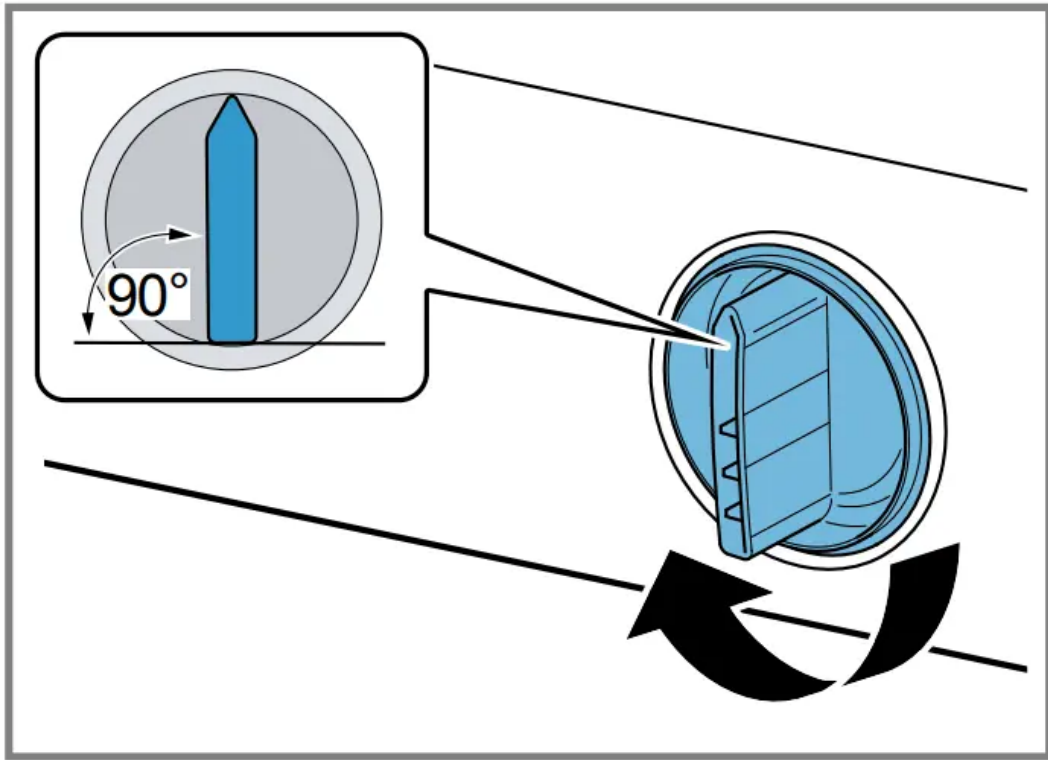
- Loosen the dirt and remove the filter insert.



2. Clean the interior, the thread on the pump cap and the pump housing.

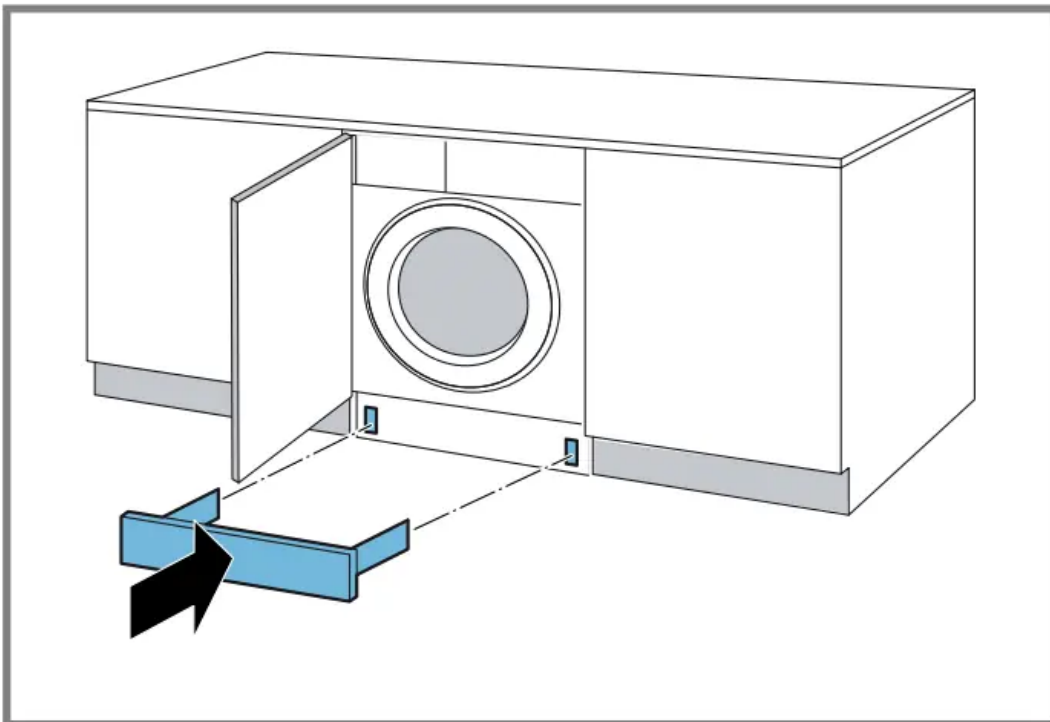


3. Make sure that the impeller in the drain pump can be rotated.
4. Insert the pump cap and screw it on.



The handle on the pump cap must be in a vertical position.

5. Install the base panel.



---

**Before the next wash**

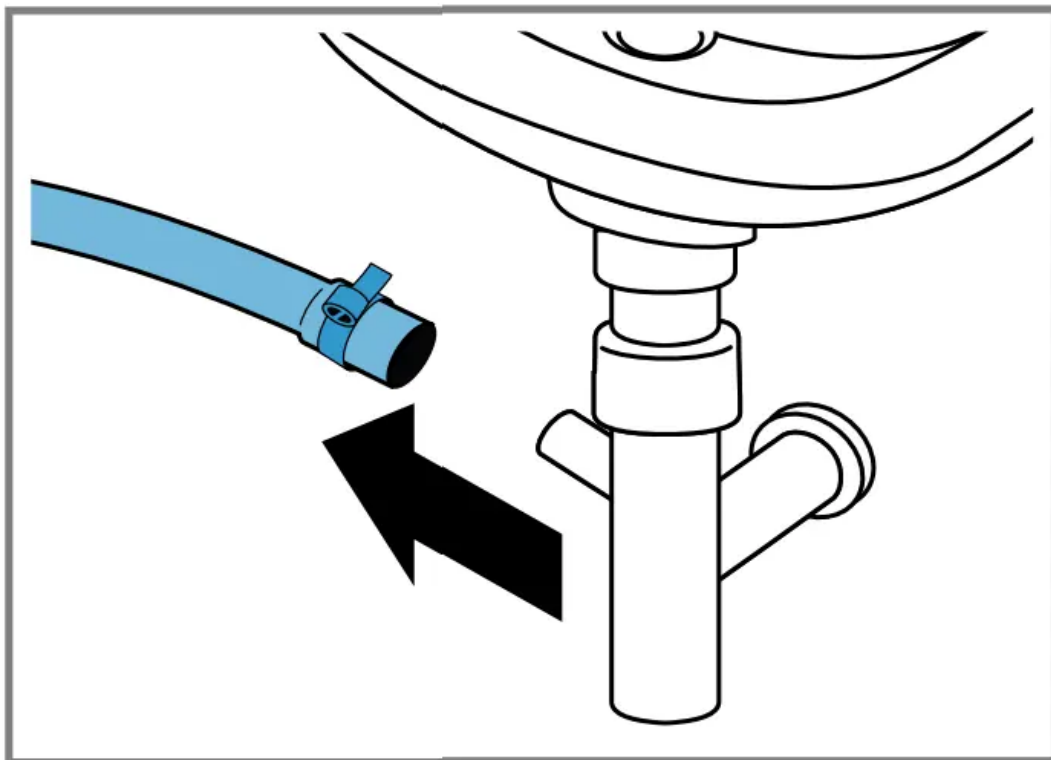
To prevent unused detergent from flowing straight into the outlet in the next wash, run the Drain programme after you have emptied the drain pump.

1. Turn on the tap.
2. Insert the mains plug.
3. Switch on the appliance.
4. Pour 1 litre of water into compartment II.
5. Start the Drain programme.

### **Cleaning the water outlet hose at the siphon**

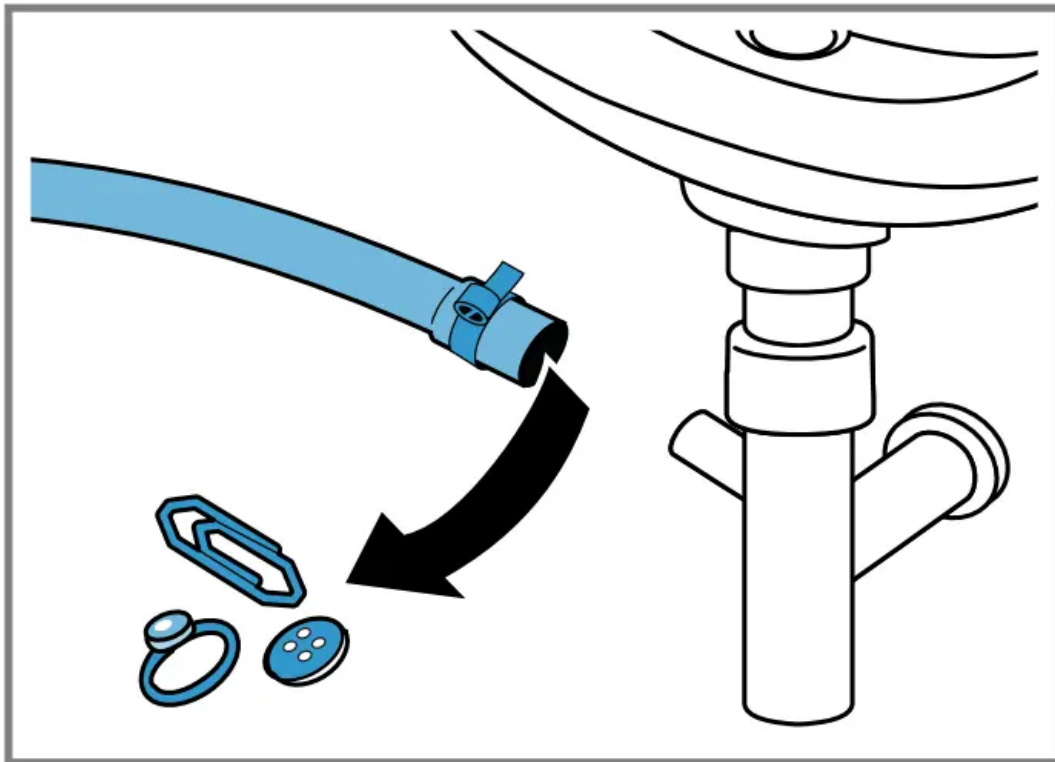
If the water outlet hose at the siphon is dirty or the detergent solution is not being pumped out, you must clean these.

1. Switch off the appliance.
2. Disconnect the appliance's mains plug from the power supply.
3. Loosen the hose clamp and carefully remove the water outlet hose.

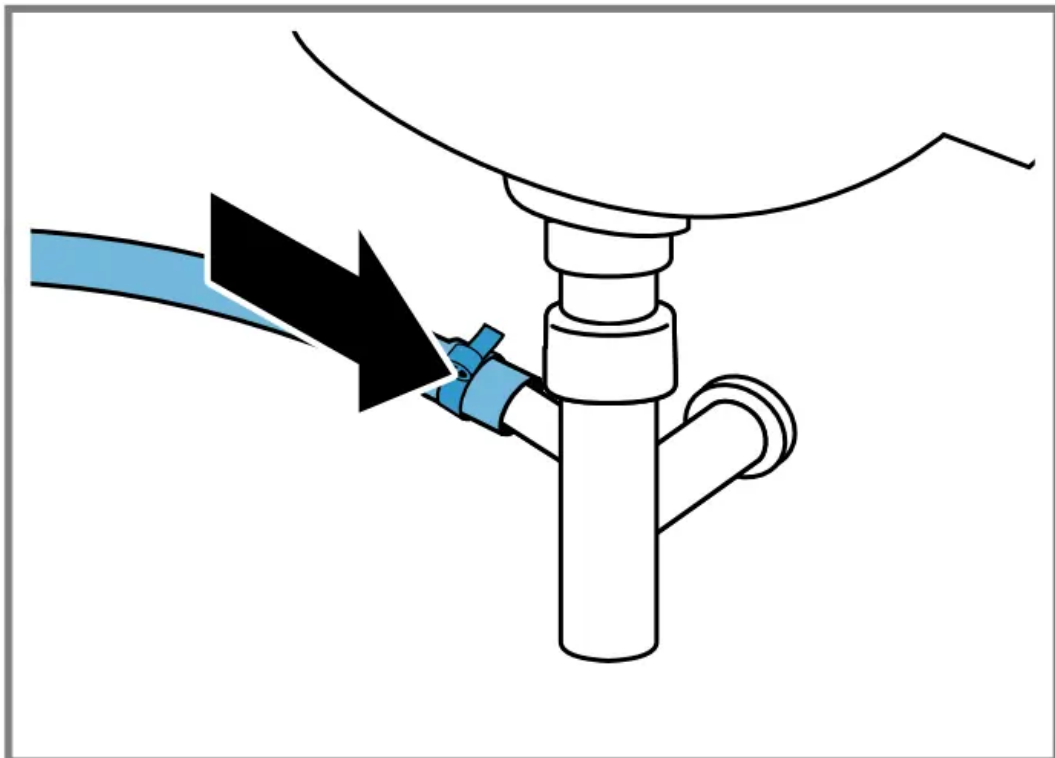


Residual water may leak out.

4. Clean the water outlet hose and siphon connecting piece.



5. Reattach the water outlet hose and secure the connection point using the hose clamp.



### **Cleaning the water inlet filter**

Clean the filter in the water inlet in the event of blockages or if the water pressure is too low.

---

### **Emptying the water inlet hose**

In order to clean the filter, first empty the water inlet hose.

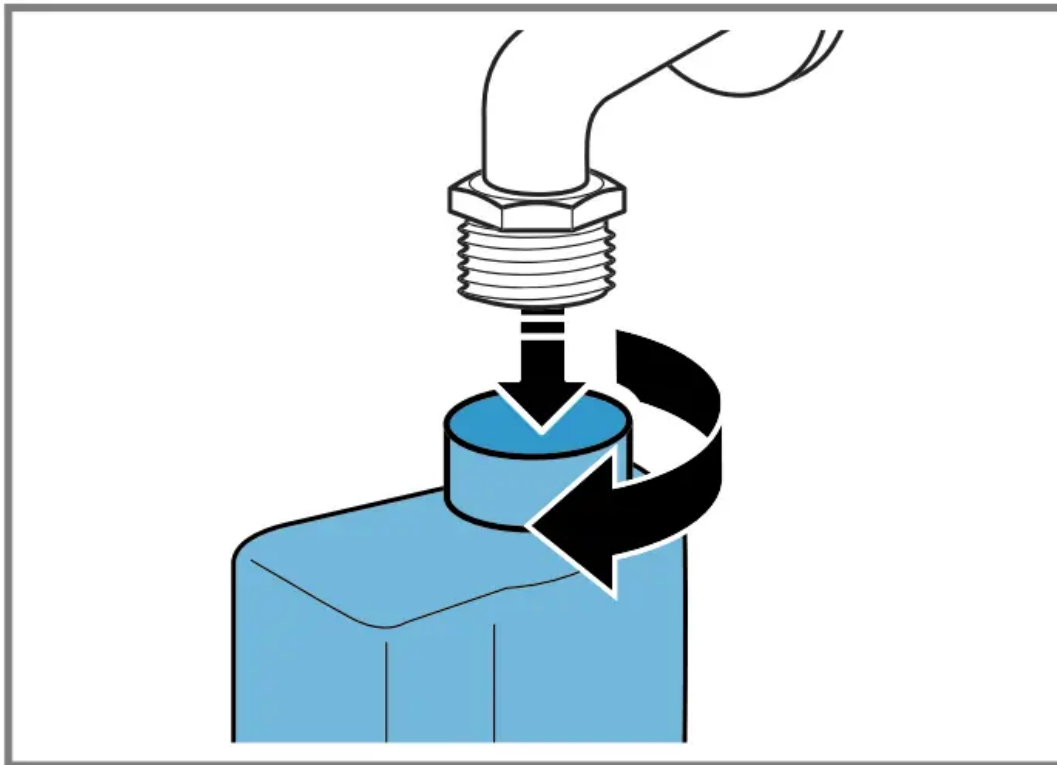
- Turn off the tap.
- Set a programme, except for
- Rinse, Spin or Drain.
- Start the programme and leave it to run for approx. 40 seconds.
- Switch off the appliance.
- Disconnect the appliance's mains plug from the power supply.

---

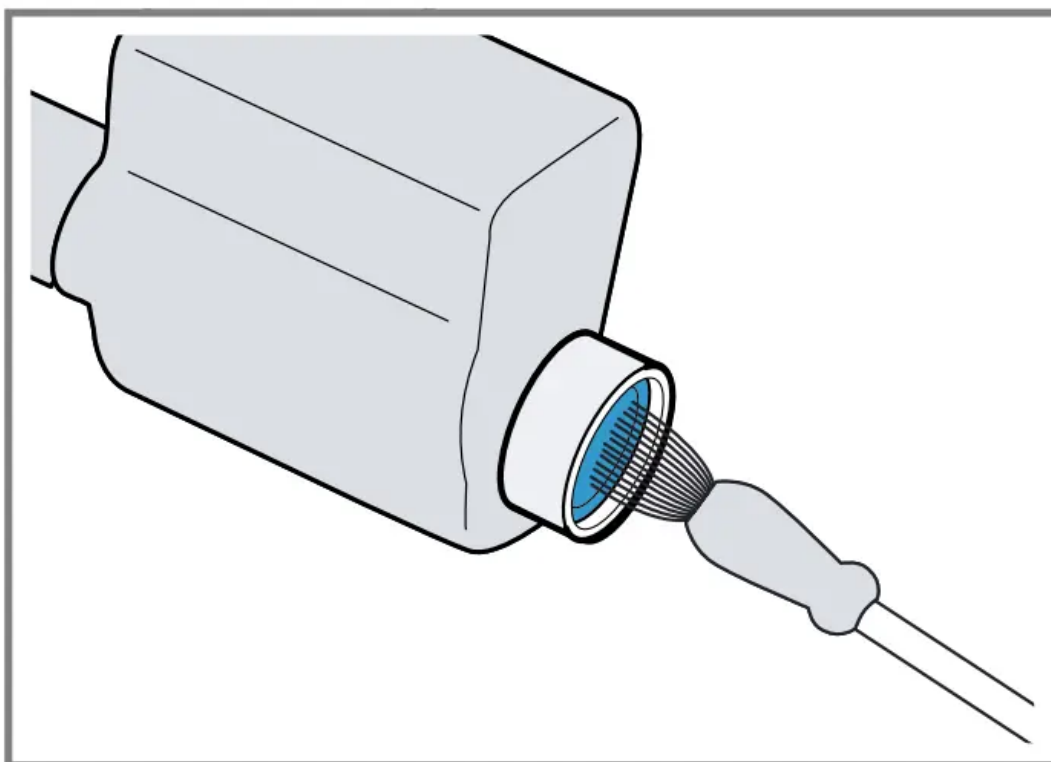
### Cleaning the filter on the tap

**Requirement:** The water inlet hose is empty.

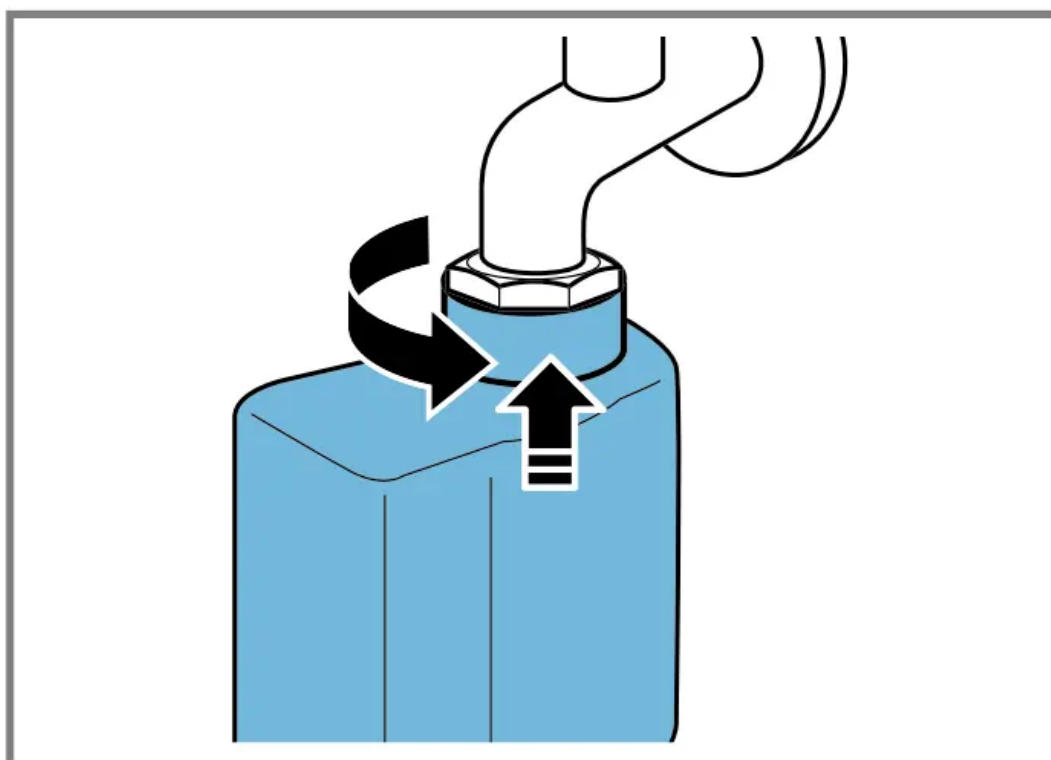
1. Remove the water inlet hose from the tap.



2. Clean the filter with a small brush.



3. Connect the water inlet hose and check for leaks.



## TROUBLESHOOTING

You can rectify minor faults on your appliance yourself. Read the troubleshooting information before contacting after-sales service. This will avoid unnecessary costs.

## **WARNING**




### **Risk of electric shock!**

Improper repairs are dangerous.

- ▶ Repairs to the appliance should only be carried out by trained specialist staff.
- ▶ Only use genuine spare parts when repairing the appliance.
- ▶ If the power cord of this appliance is damaged, it must be replaced by the manufacturer, the manufacturer's Customer Service or a similarly qualified person in order to prevent any risk.

## Error code / Fault display / Signal

Fault	Cause	troubleshooting
The display goes out and Start/Reload flashes.	Energy-saving mode is active	<ul style="list-style-type: none"> <li>▶ Press any button.</li> </ul> <p>The symbol lights up again.</p>
"E:36 / -10"	Drain pipe or water outlet hose is blocked.	<ul style="list-style-type: none"> <li>▶ Clean the drain pipe and the water outlet hose.</li> </ul>
	Drain pipe or water drain hose is caught or jammed.	<ul style="list-style-type: none"> <li>▶ Ensure that the drain pipe and water drain hose are not kinked or trapped.</li> </ul>
	Drain pump is blocked.	<ul style="list-style-type: none"> <li>▶ <i>"Cleaning the drain pump"</i>,</li> </ul>
	The water outlet hose is connected too high.	<ul style="list-style-type: none"> <li>▶ Install the water outlet hose at a maximum height of 1 metre.</li> </ul>
"E:36 / -25 / -26"	Drain pump is blocked.	<ul style="list-style-type: none"> <li>▶ <i>"Cleaning the drain pump"</i>,</li> </ul>
"E:60 / -2B"	The unbalanced load detection system has interrupted the spin cycle because the laundry is unevenly distributed.	<ul style="list-style-type: none"> <li>▶ Redistribute the laundry in the drum.</li> </ul> <p>Note: Where possible, mix large and small items in the drum. Different sized items of laundry distribute themselves better during the spin cycle.</p>
	The water pressure is low.	No remedial action possible.
	The filter in the water inflow is blocked.	<ul style="list-style-type: none"> <li>▶ Clean the water inflow filter</li> </ul>



Fault	Cause	troubleshooting
	The tap is turned off.	▶ Turn on the tap.
	The water inlet hose is kinked or jammed.	▶ Ensure that the water inlet hose is not kinked or jammed.
"E:35 / -10"	There is water in the base trough.	▶ Turn off the water tap. ▶ Call the after-sales service.
	The appliance is leaking.	▶ Turn off the water tap. ▶ Call the after-sales service.
	 lights up.	The temperature is too high.
Water level is too high.		▶ Start the <b>Drain</b> programme.
Laundry is caught in the door.		1. Open the door again. 2. Remove any trapped laundry. 3. Close the door. 4. Press <b>Start/Reload</b> to start the programme.
 flashes.	Door is not closed.	1. Close the door. 2. Press <b>Start/Reload</b> to start the programme.
All other error codes.	Malfunction	▶ Call the after-sales service.
<b>Malfunctions</b>		

Fault	Cause	troubleshooting
The appliance is not work-king.	The mains plug of the power cord is not plugged in.	▶ Connect the appliance to the power supply.
	The circuit breaker is faulty.	▶ Check the circuit breaker in the fuse box.
	There has been a power cut.	▶ Check whether the lighting in your kitchen or other appliances are working.
The programme does not start.	You have not pressed <b>Start/ Reload</b> .	▶ Press <b>Start/Reload</b> .
	Door is not closed.	<ol style="list-style-type: none"> <li>1. Close the door.</li> <li>2 Press <b>Start/Reload</b> to start the programme.</li> </ol>
	Childproof lock is activated.	▶ <i>"Deactivating the childproof lock"</i>
	<b>Finish in</b> is activated.	▶ Check whether <b>Finish in</b> is activated.
	Laundry is caught in the door.	<ol style="list-style-type: none"> <li>1. Open the door again.</li> <li>2. Remove any trapped laundry.</li> <li>3. Close the door.</li> <li>4. Press <b>Start/Reload</b> to start the programme.</li> </ol>
The door cannot be opened.	— — — is activated	▶ Continue the programme by selecting Spin or Drain and pressing Start/Reload. → "Resuming the programme when the programme status is Rinse Hold"
	The temperature is too high	▶ Wait until the temperature has dropped. ▶ → <i>"Cancelling the programme"</i> ,
	Water level is too high.	▶ Start the Drain programme.

	Power failure	▶ Open the door using the emergency release. → " <i>Emergency release</i> "
--	---------------	---



Fault	Cause	troubleshooting
The water is not draining.	Drain pipe or water outlet hose is blocked.	▶ Clean the drain pipe and the water outlet hose.
	Drain pipe or water drain hose is caught or jammed.	▶ Ensure that the drain pipe and water drain hose are not kinked or trapped.
	Drain pump is blocked.	▶ → "Cleaning the drain pump"
	– – – is activated.	▶ Continue the programme by selecting Spin or Drain and pressing Start/Reload. → "Resuming the programme when the programme status is Rinse Hold"
	The water outlet hose is connected too high.	▶ Install the water outlet hose at a maximum height of 1 metre. <i>"Technical specifications", Page 60</i>
Water is not flowing in. Detergent is not being dis-pensed.	You have not pressed Start/ Reload.	▶ Press Start/Reload.
	The filter in the water inflow is blocked.	▶ Clean the water inflow filter ^ Page 46.
	The tap is turned off.	▶ Turn on the tap.
	The water inlet hose is kinked or jammed.	▶ Ensure that the water inlet hose is not kinked or jammed.
The spin cycle runs several times.	The programme operation is optimised electronically.  This may change the programme duration.	▶ Not a fault - no action required.
	The unbalanced load detection system	▶ Not a fault - no action required.

Fault	Cause	troubleshooting
	eliminates an imbalance by repeatedly redistributing the laundry.	Note: When loading, where possible, place large and small items of laundry together in the drum. Different sized items of laundry distribute themselves better during the spin cycle.
	Foam detection system switches on a rinse cycle if foam build-up is too high.	▶ Not a fault - no action required.
No water is visible in the drum.	Water is below the visible area.	▶ Not a fault - no action required.
Drum jerks after the programme starts.	This is caused by an internal motor test.	▶ Not a fault - no action required.
Residual water is present in the compartment 	Insert in compartment  is blocked.	▶ <i>“Cleaning the detergent drawer”</i>
Vibrations and movement of the appliance whilst spinning	Appliance is not correctly aligned	▶ Aligning the appliance
	The appliance feet are not fixed	▶ Secure the appliance feet. Aligning the appliance

Fault	Cause	troubleshooting
Vibrations and movement of the appliance whilst spinning.	Transit bolts have not been removed.	▶ Removing the transit bolts
Drum does not turn, water does not flow in.	Load detection is active.	▶ Not a fault - no action required. <b>Note:</b> The load detection can take up to two minutes.
Heavy foam build-up	Detergent dosage is too high.	▶ Immediate measure: Mix one tablespoon of fabric softener with 0.5 litres of water and pour the mixture into the left-hand compartment (not for outdoor clothing, sportswear or items stuffed with down).  ▶ Reduce the amount of detergent for the next washing cycle with the same load.
<b>Noise</b>		
Fault	Cause	troubleshooting
Rushing, hissing noise.	Water is flushed under pressure into the detergent drawer.	▶ Not a fault - normal operating noise.
Loud noises during the spin cycle.	Appliance is not correctly aligned.	▶ Aligning the appliance
	The appliance feet are not fixed.	▶ Secure the appliance feet. Aligning the appliance
	Transit bolts have not been removed.	▶ Removing the transit bolts

Banging noises, rattling in the drain pump.	Foreign bodies have got into the drain pump.	▶ ^ "Cleaning the drain pump"
Slurping, rhythmical suction noise.	The drain pump is active, the detergent solution is pumped out.	▶ Not a fault - normal operating noise.
<b>Problem with results</b>		
<b>Fault</b>	<b>Cause</b>	<b>troubleshooting</b>
Creasing.	The spin speed is too high.	▶ The next time you run a wash cycle, set a lower spin speed.
	The load is too large.	▶ The next time you run a wash cycle, reduce the amount of laundry being loaded.
	The wrong programme is selected for the type of fabric.	▶ Select the programmes that are suitable for the type of fabric. → "Programmes",

Fault	Cause	troubleshooting
Detergent or fabric softener drips off the seal and collects on the door or in the seal fold.	Too much detergent/fabric softener in the detergent drawer.	▶ When dosing liquid detergent and fabric softener, observe the marking in the detergent drawer and do not dose above this.
The spin result is not satisfactory. The laundry is too wet/too damp.	A low spin speed is selected.	▶ The next time you run a wash cycle, set a higher spin speed. ▶ Start the <b>Spin</b> programme.
	The unbalanced load detection system has interrupted the spin cycle because the laundry is unevenly distributed.	▶ Redistribute the laundry in the drum. <b>Note:</b> Where possible, mix large and small items in the drum. Different sized items of laundry distribute themselves better during the spin cycle. ▶ Start the <b>Spin</b> programme.
Detergent residue on the damp washing.	Detergents may contain water-insoluble substances that deposit on the laundry.	▶ Start the <b>Rinse</b> programme.
Detergent residue on the dry laundry.	Detergents may contain water-insoluble substances that deposit on the laundry.	▶ Brush out the laundry after washing and drying.
<b>Leakage</b>		
Fault	Cause	troubleshooting
Water is leaking out at the water inlet hose.	Water inlet hose is not correctly/securely connected.	<ol style="list-style-type: none"> <li>1. Connect the water supply hose correctly. Connecting the water inlet hose</li> <li>2. Tighten the screw connection.</li> </ol>

Water is leaking out at the water outlet hose.	The water outlet hose is damaged.	▶ Replace the damaged water outlet hose.
	Water outlet hose is not connected correctly.	▶ Connect the water outlet hose correctly. Water outlet connection types

## Odours

Fault	Cause	troubleshooting
Odours have formed in the appliance.	Humidity and detergent residue may promote the formation of bacteria.	<ul style="list-style-type: none"> <li>▶ → "Cleaning the drum"</li> <li>▶ If you are not using the appliance, leave the door and detergent drawer open so that residual water can evaporate.</li> </ul>

### Warning

This content is compiled from multiple sources and is provided for reference purposes only. It may not be complete or fully applicable to all situations. If you are unable to resolve your issue, please contact the product manufacturer or an authorized service provider for official support.