

## **IMPORTANT NOTE**

THANK YOU for the purchase of your APEMAN H-Series Trail Camera. We appreciate your business and want to earn your trust. Please refer to the instructions in this manual to use the camera smoothly.

If your APEMAN Trail Camera does not seem to be functioning properly or if you are having photo/video quality issues, please feel free to e-mail us. We will try our best to meet your satisfaction.

We also welcome and value each feedback and suggestions on our camera. Your objective feedback and frank opinion are the big driving force for us to move forward. It is because of each lovely client and every useful advice that we could continue to improve our products quality and meet the needs in the ever-changing market.

We are well aware services indefinitely. We will spare no effort to improve product quality and service levels in the future to give our customers more intimate shopping experience

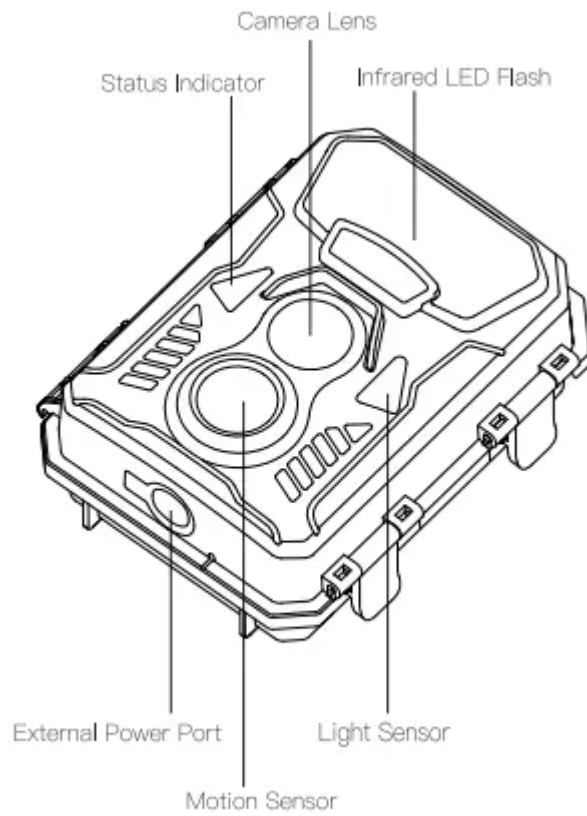
APEMAN Trail Camera Service E-mail: [te.support@apemans.com](mailto:te.support@apemans.com)

Hope everything goes well in your life.

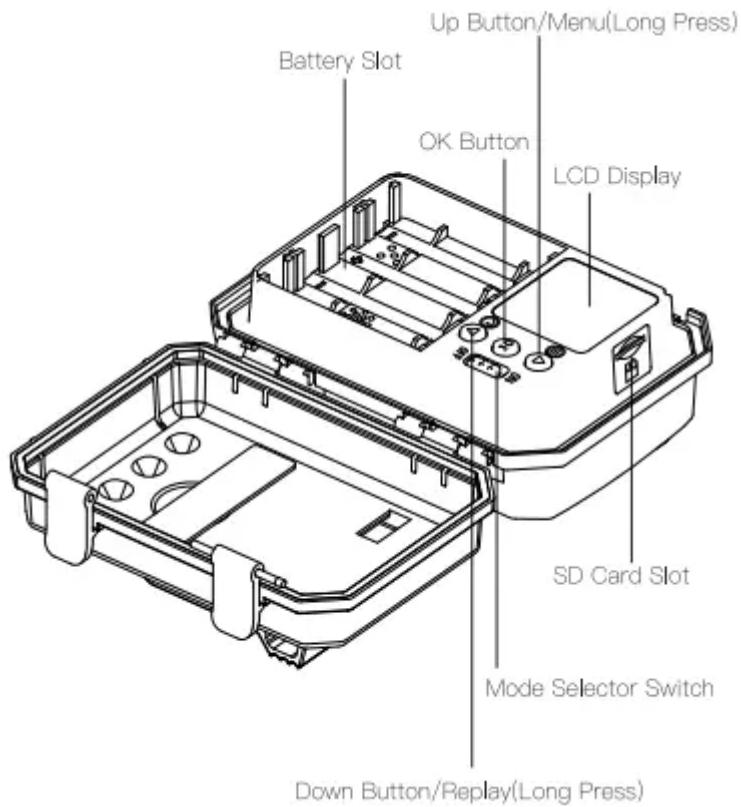
Sincerely, APEMAN

## **CAMERA OVERVIEW**

### **FRONT VIEW**



## INSIDE VIEW



# QUICK START INSTRUCTION

## Battery Installation

Open the camera cover and install 4 AA Alkaline or Lithium batteries

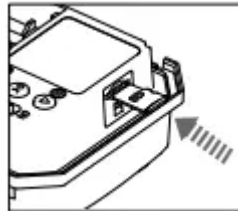
**Note:** Anytime you load or unload batteries. make sure that the camera is OFF.

## Important Battery Information.

- Only use Alkaline or Lithium batteries. We recommend the use of Energizer batteries.
- Do not mix old and new batteries. Always replace ALL the batteries at the same time.
- When the camera is not in use. please remove the batteries.

## Insert the Micro SD Card

still under OFF mode. insert the Micro SD. card (using 6 or faster Micro SD Cards. up to 32GB) in the direction indicated on the card. until you hear an audible click.



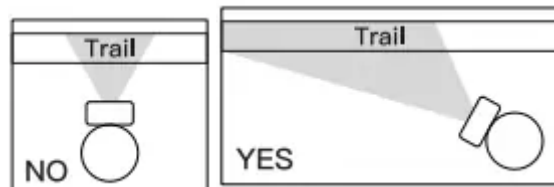
**Note:** Camera will not operate without a Micro SD card installed.

## Mounting with a Strap/Wall Mount

Place Camera on a tree or pole approximately

### Hint:



1. If you are mounting camera to cover a trail. face the camera down the trail tilted at a slight downward angle.
2. Face the camera North or South to avoid over exposure from the sun.
3. Clear brush away from camera front to avoid false triggers from the wind.



## Power ON & Quick Select Taking Photo or Video

Slide the Mode Switch to the ON position, LCD screen light.

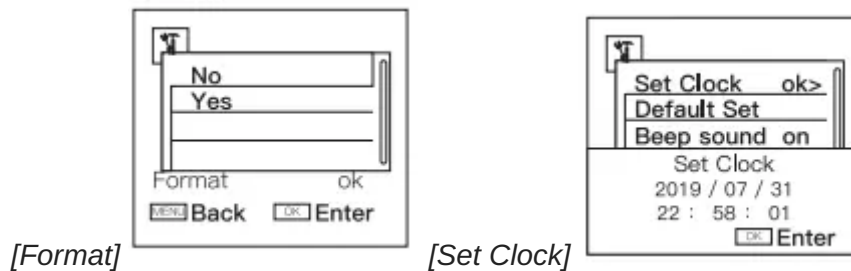
Default mode is Photo mode. press UP button to switch to Video mode, press DOWN button to back to Photo mode.

-  " Represents "Photo" mode
-  " Represents "Video" mode



### Format Card & Setting Date and Time

Long press UP button to enter Setting Menu.



### Run Quick Start

Close cover. status indicator flashes for 15 seconds. the camera will operate using Default Settings. You may also customize the settings in Settings Menu to meet your using requirements.

Option	Default Setting
Mode	Motion Detect
Interval	30 seconds
Photo or Video	Photo
Multi-Shot	1-Triggered

### Viewing Files

#### View on the LCD screen

Open cover, press OK button to light up the screen. Then long press DOWN button to check your images and videos.



### Removing the Micro—SD Card

Remove the Micro-SD Card. and load the SD card into the 4 in 1 d reader(Sold Separately) to view or rove stored images to another location.

**Important:** Make sure that the camera is in the OFF position before removing SD card.



## SETTINGS MENU

Slide the Mode Switch to the ON position. long pressing the UP button to enter the settings list. the name of the parameter will be shown on the built-in LCD. For all menu navigation. use UP/DOWN to navigate between options and OK to lock-in your selection

### The Settings Menu — Parameters and Settings List

#### (Bold=default)/Descriptions

- Auto Power Off: 30 Sec; 5 Min; 10 Min.
- Mode: Photo. Video. Photo&Video

Capture photo or video or photo+video when motion or heat is detected.

- Photo Size: 1MP; 3MP; 5MP; 8MP; 12MP;16MP;

Selects resolution for still photos.

- Video Size: 1080P; 720P; WVGA;VGA

Selects video resolution. Higher resolution produces better quality videos. but create larger files that take up more of the SD card capacity (fills up faster)

- Photo Series: 1 photo; 2 photos; 3 photos

Selects how many photos are taken per trigger in Photo mode.

- Video Length: 10 Sec; 15 Sec; 20 Sec; 30 Sec; 1 Min; 2 Min; 5 Min

To extend camera using life. we recommend to set a shorter video length

- PIR Interval: 5 seconds~30 seconds; 1 minute~ 60 minute

Selects the length of time that the camera will “wait” until it responds to any additional triggers from the PIR after an animal is first detected and remains within the sensor’s range. During this user set “ignore triggers” interval. the camera will not capture photos/videos. This prevents the card from filling up with too many redundant images.

- Time Lapse: On/Off

Turns Time Lapse recording mode on/off. When activated. this function forces the camera to take photos or videos even when it is not triggered by a nearby live target. useful for constant monitoring of an area that might be far away from the camera.

This is also useful for observing cold blooded animals(e.g. snakes) or outdoor plants etc. As soon as the "On" setting has been confirmed by pressing the OK key. you could enter the interval time(15 seconds~30 minute) after which photos are to be taken

**Note:** In this mode. the PIR detection would stop working.

- Time Stamp: On/Off

Select "On". the date. time. the current temperature and moon phase will be imprinted on your still photos.

- Time Switch: On/Off

Set Time Switch to "On". if camera should only be active within a certain time.

Once "On" has been confirmed with the OK key. the start and end time can be set.If the start time is. for instance set to 18:35 and the end time is 8:25. the camera will be operational from 6:35pm of the current day until 8:25 am of the following day. The camera will not be triggered and will not take any photos when the time is not included in this period.

- Password Set: On/Off

Select a 4 digit security code for your camera.

- PIR Sensitivity: Low; Middle; High;Auto

PIR Sensitivity allows you to control as to how much movement and at what distance the camera will trigger. High sensitivity will allow for more distance. but will make the camera slightly more susceptible to false triggers and is ideal for open areas such as fields and food plots. Low sensitivity will shorten the distance but lower the chance of false triggers and is ideal for close range traps and deeply wooded areas.

- Language: English;Frangais;Deutsch;Espagnol;Italiano; AAB; SAR

Select the desired menu language.

- Format: Yes/No

Deletes (erases) all files stored on a card to prepare it for reuse. Always format a card that has been previously used in other devices or if it is a new card.

**Caution:** Make sure you have downloaded and backed up any files you want to preserve first!

- Set Clock

**IMPORTANT!** Use to set date and time

- Default Set: Yes/No

You can reset your camera to the factory default settings. Choose either YES - all setups restored to factory default or NO — keep custom settings.If the camera is behaving oddly and you think you

may have changed the setting for something accidentally (but aren't sure which one). this will reset all parameters to default setting.

- Beep sound: On/Off

Select "ON" to open beep sound. "OFF" means close.

- Audio Recording: On/Off

Select if record audio while recording a video.

- Volume Play: Low/Normal/High
- Version

Displays current firmware version for reference.

## WARRANTY

All APEMAN Trail Camera carries a 12—month warranty from purchase date.

Please register at [www.apemans.com](http://www.apemans.com) to activate your 1-year warranty.

Please also feel free to let us know what we could do to assist you if you have any problems about the game camera.

### **APEMAN CUSTOMER SERVICE E-MAIL ADDRESSES:**

Quick—Contact: [te.support@apemans.com](mailto:te.support@apemans.com)

America: [support.us@apemans.com](mailto:support.us@apemans.com)

Europe: [support.eu@apemans.com](mailto:support.eu@apemans.com)

Japan: [support.jp@apemans.com](mailto:support.jp@apemans.com)

#### **Warning**

This content is compiled from multiple sources and is provided for reference purposes only. It may not be complete or fully applicable to all situations. If you are unable to resolve your issue, please contact the product manufacturer or an authorized service provider for official support.