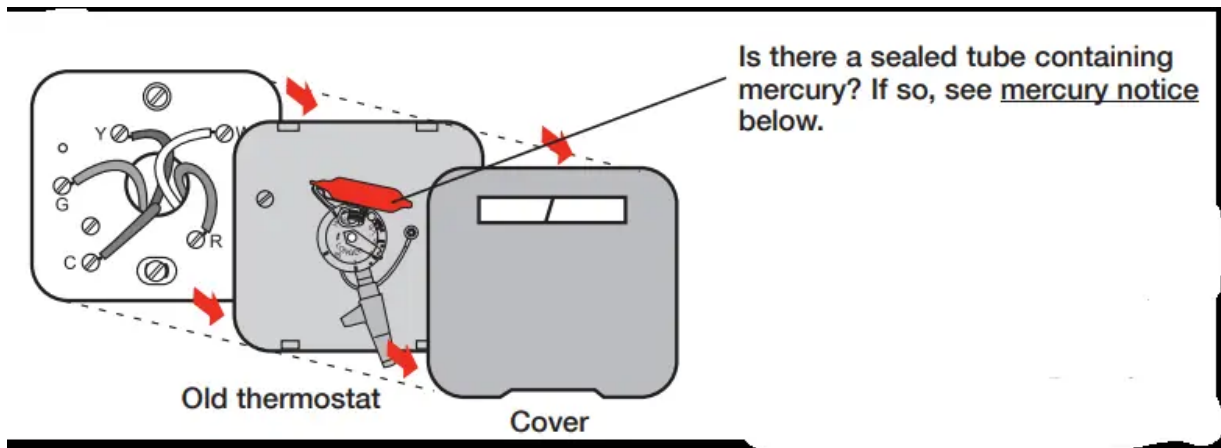


Remove your old thermostat

1. **CAUTION** TURN OFF POWER to system at the furnace, or at the fuse/circuit breaker panel before you begin.
2. Remove cover and thermostat, but leave wallplate with wires attached.

Leave wallplate in place.



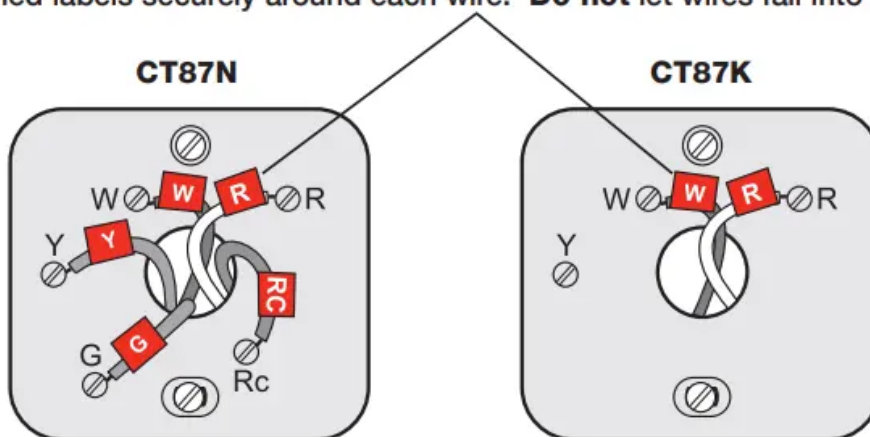
MERCURY NOTICE If your old thermostat contains mercury, contact your local waste management authority for proper disposal instructions.

Label wires and remove old wallplate

Use a screwdriver to disconnect wires one by one. As you disconnect each wire, wrap it with the label matching the letter on your old thermostat. (Adhesive labels are supplied in your thermostat package.)

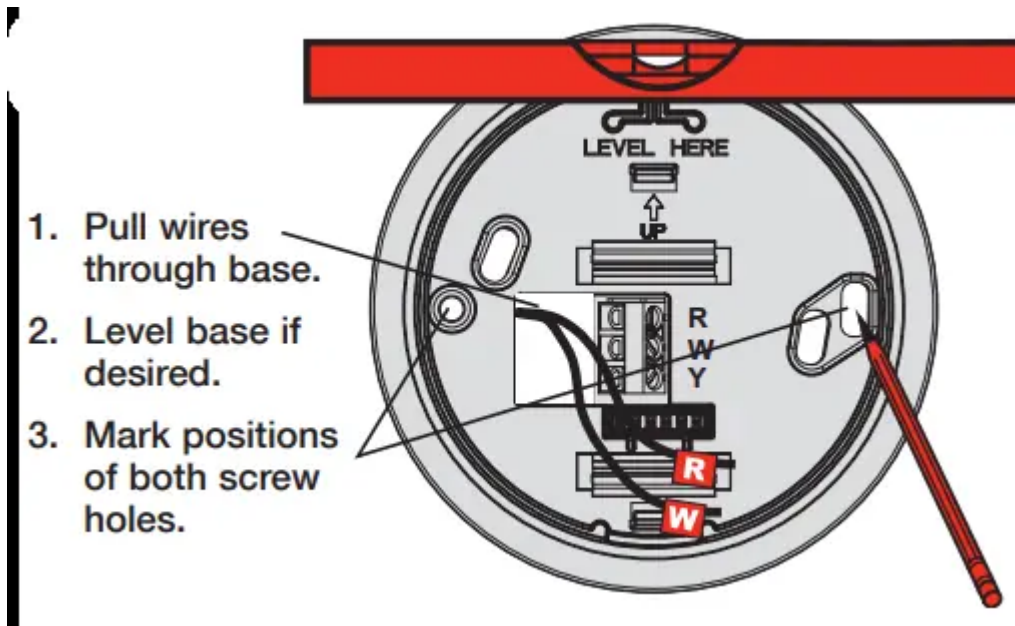
Remove the old wallplate only after all wires are labeled. Be careful not to let loose wires fall into the wall opening.

Wrap supplied labels securely around each wire. Do not let wires fall into wall opening!

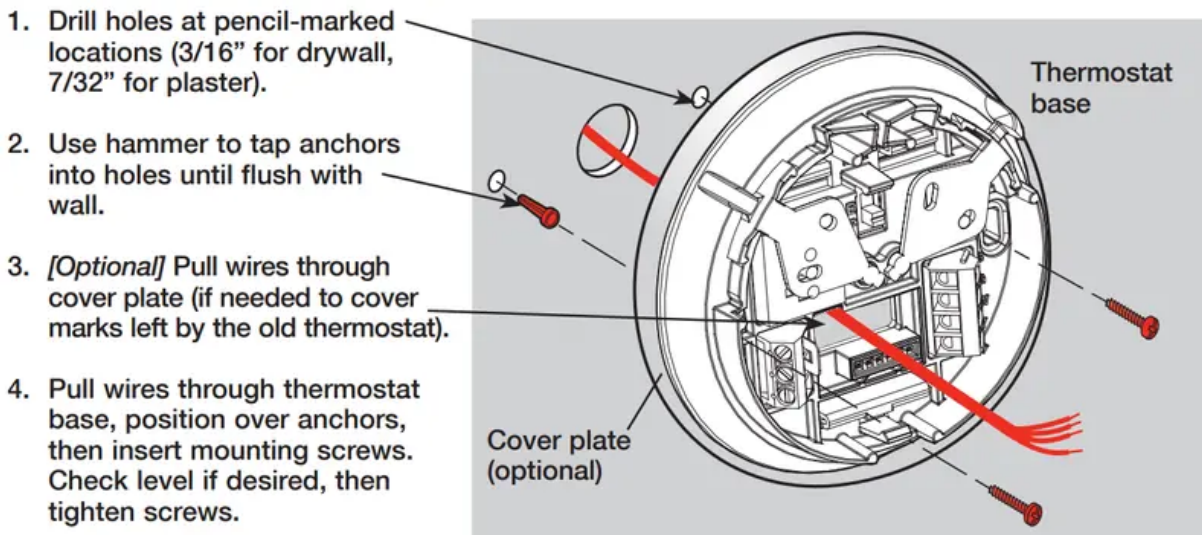


If your old thermostat has 4 or more wires (not counting terminals C or C1), you may have purchased the wrong replacement thermostat. Stop now and call 1-800-468-1502 for advice.

Mark mounting position



Mount thermostat base

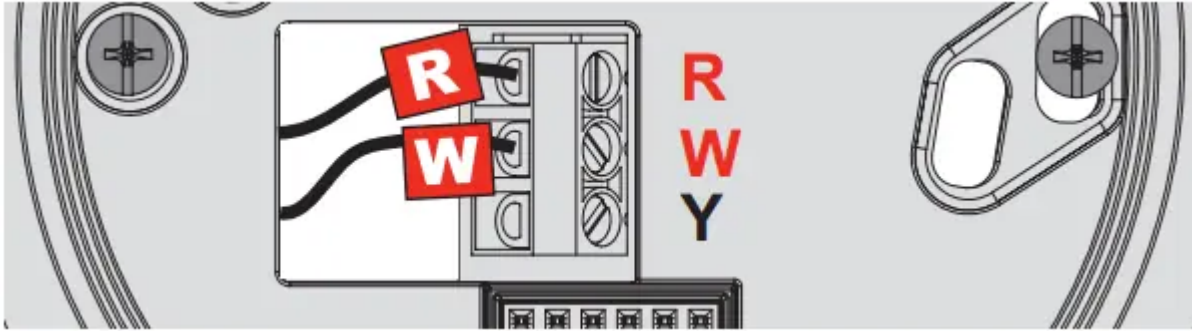


Connect wires

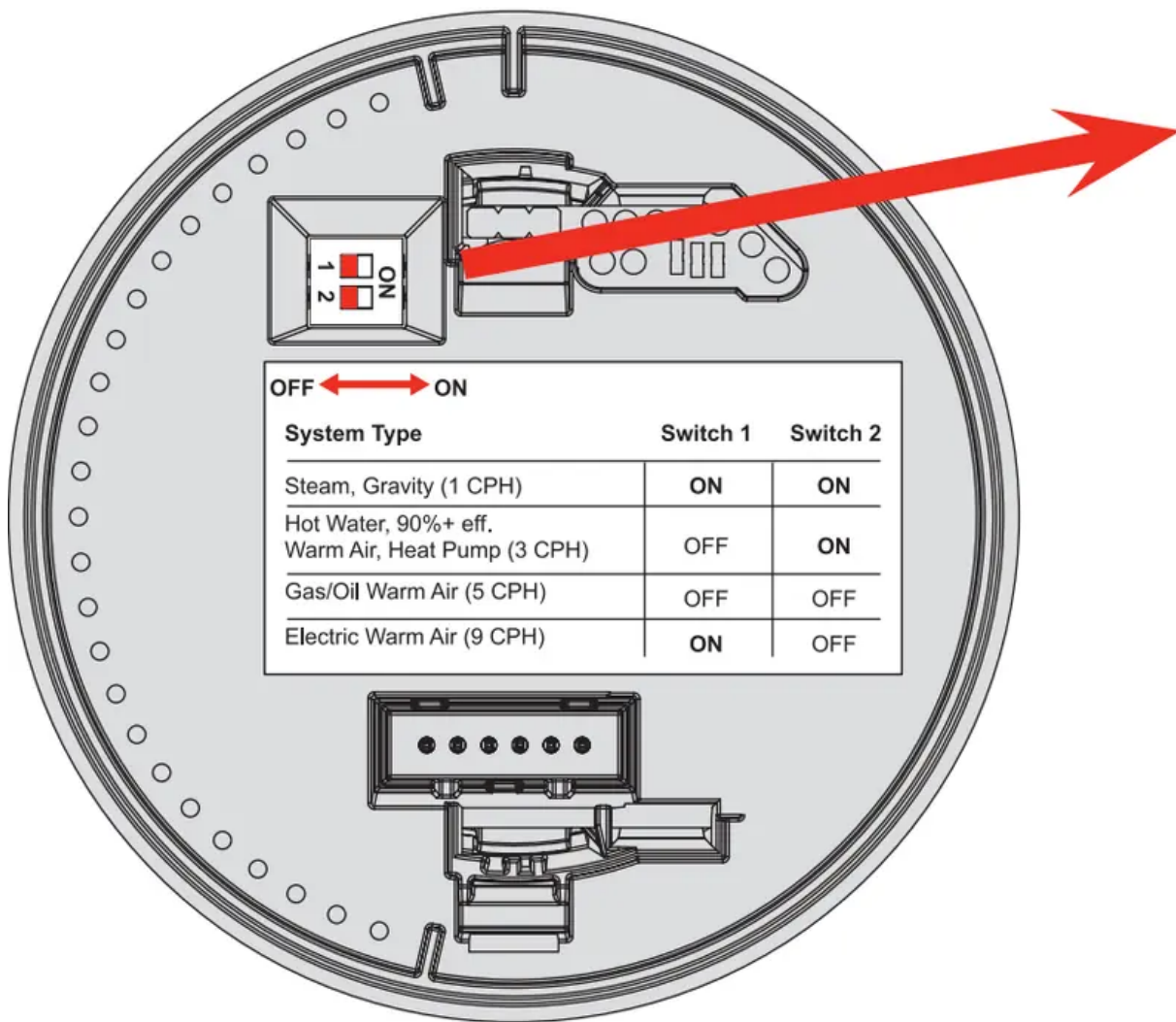
1. Match each labeled wire with same letter on the terminal block(s).
2. Use a screwdriver to loosen screw terminals, insert bare wire into slots, then tighten screws.
3. Push any excess wire back into the wall opening.

- 2-wire heat-only system: Connect one wire to R terminal, one wire to W terminal.

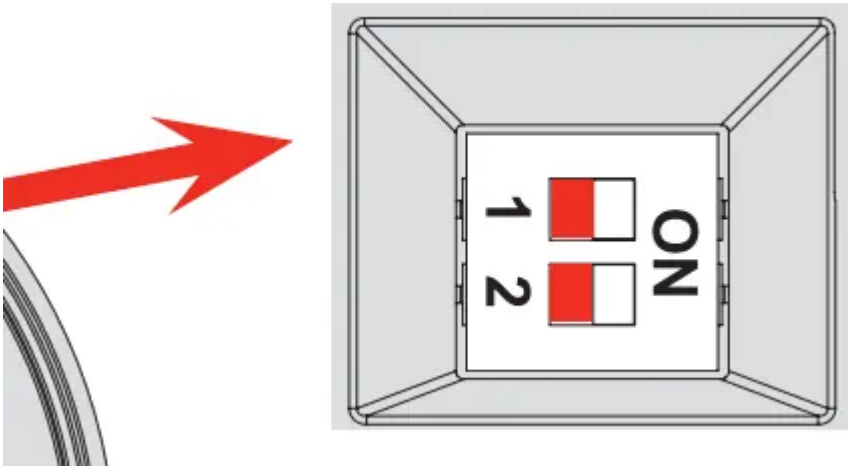
- 3-wire hot water heat-only system: Connect wires R to R, W to W, and Y to Y terminals.



Set cycle rate switches



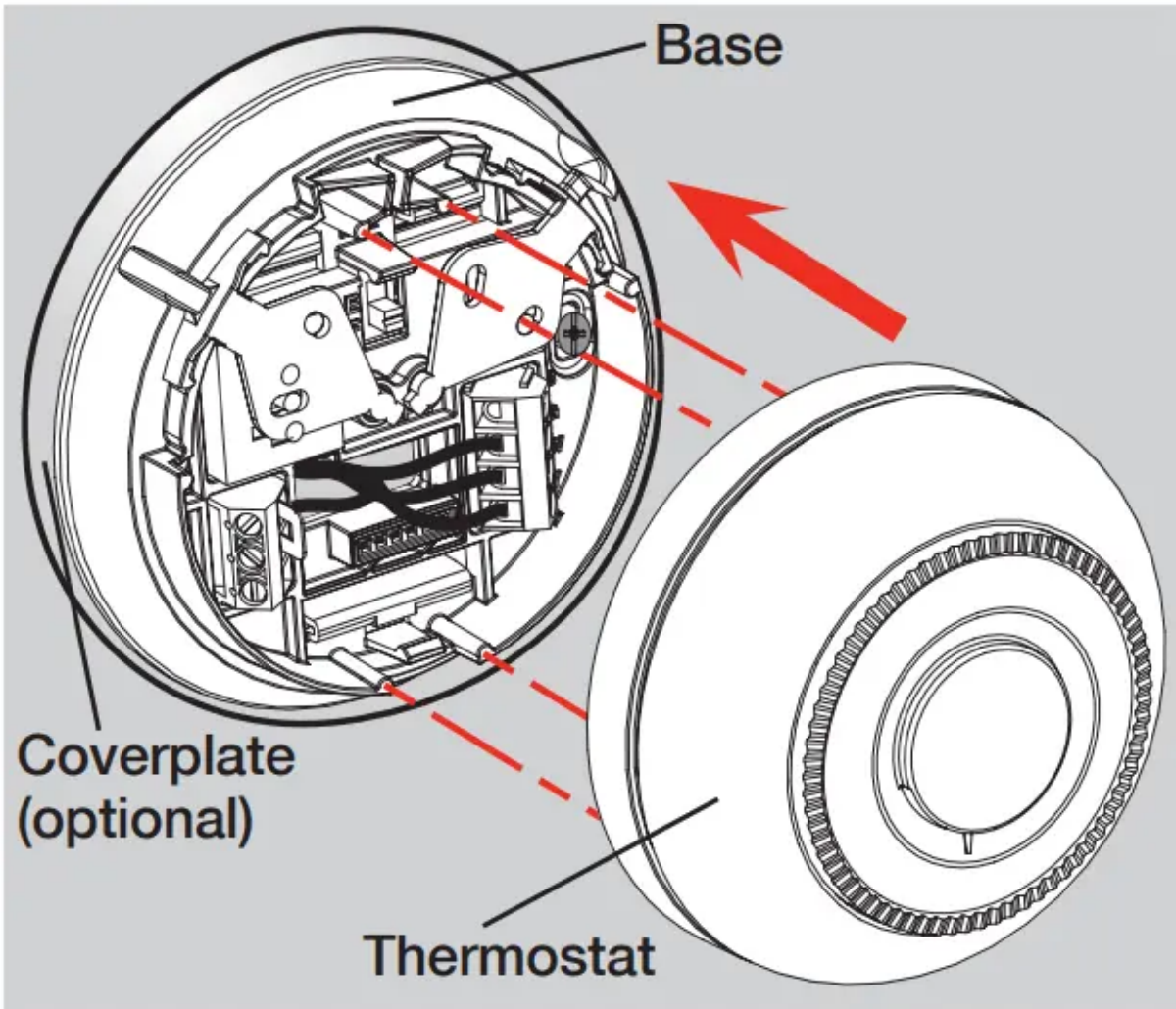
Move the cycle rate switches to the proper setting for your system (see table below).



Heating System	Switch 1	Switch 2
Steam or gravity	On	On
High efficiency warm air (90% plus efficiency), hot water, or heat pump	Off	On
Gas or oil warm air (factory setting)	Off	Off
Electric warm air	On	Off

Finish installation

1. Align the slots on the base with tabs on the thermostat, then push gently until the thermostat snaps into place.
2. Restore electrical power at the heating/ cooling system, or at the fuse/circuitbreaker panel.



Operation

System switch (CT87N)

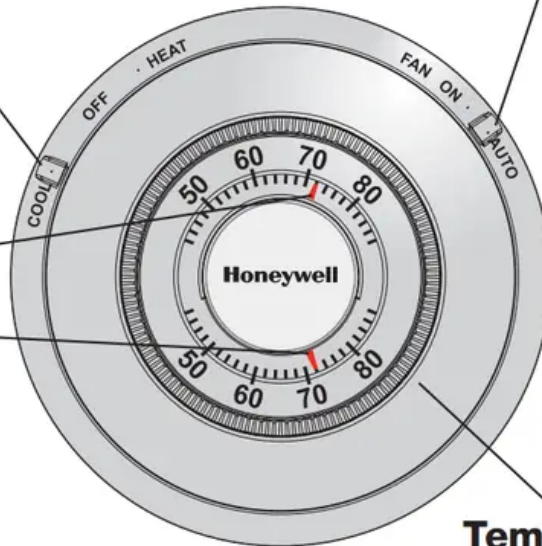
- **Cool:** Controls the cooling system.
- **Heat:** Controls the heating system.
- **Off:** All systems are off.

Fan switch (CT87N)

- **On:** Fan runs continuously.
- **Auto:** Fan runs only when heating or cooling system is on.

Temperature

Desired indoor temperature.
Current indoor temperature.



Temperature setting

Rotate to set desired indoor temperature.

CAUTION: EQUIPMENT DAMAGE HAZARD (CT87N) Do not operate cooling system when outdoor temperature is below 50°F (10°C).

Warning

This content is compiled from multiple sources and is provided for reference purposes only. It may not be complete or fully applicable to all situations. If you are unable to resolve your issue, please contact the product manufacturer or an authorized service provider for official support.