

Applications

The RPLS530A/RPLS531A switch can be used in a single-pole or 3-way installation with the following types of lighting:

- Incandescent
- Halogen
- Low-voltage halogen with transformer
- Fluorescent

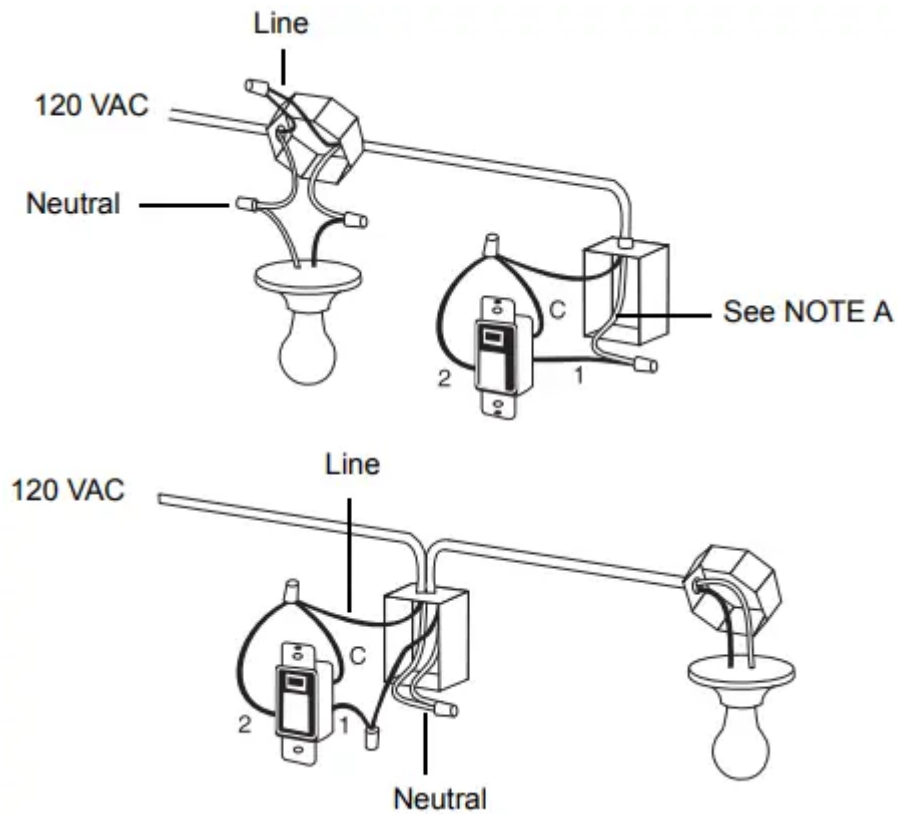
The RPLS530A/RPLS531A switch cannot be used with a load below 40 W, a load above 500 W or a motor.

Installation

1. Cut power at the circuit breaker to avoid electric shock.
2. Remove the existing switch. (For a 3-way installation, identify and label the wire that is connected to the “common” screw.)
3. Install the new switch (refer to the appropriate section below).
4. Apply power at the circuit breaker.

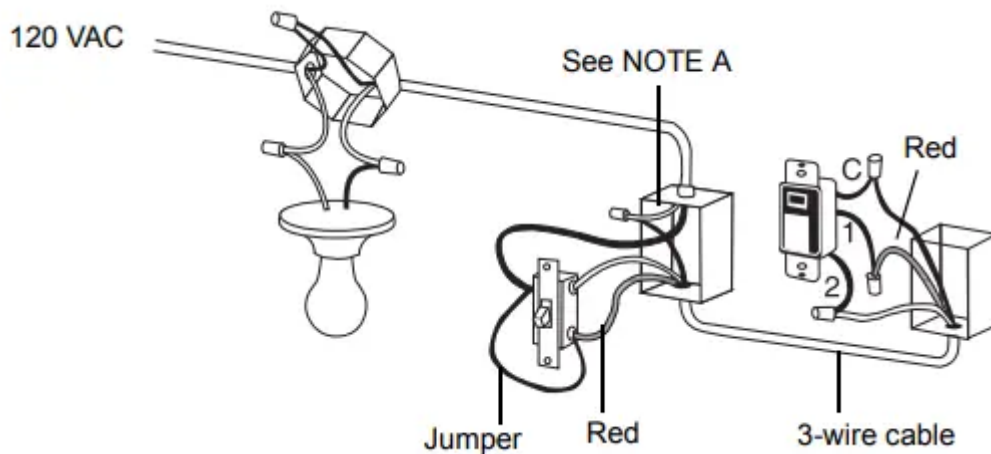
NOTE A: The white wire is not the neutral wire but the wire going to the load.

SINGLE-POLE INSTALLATION



Connect wires "2" and "C" of the RPLS530A/RPLS531A to the line (120 V) wire.

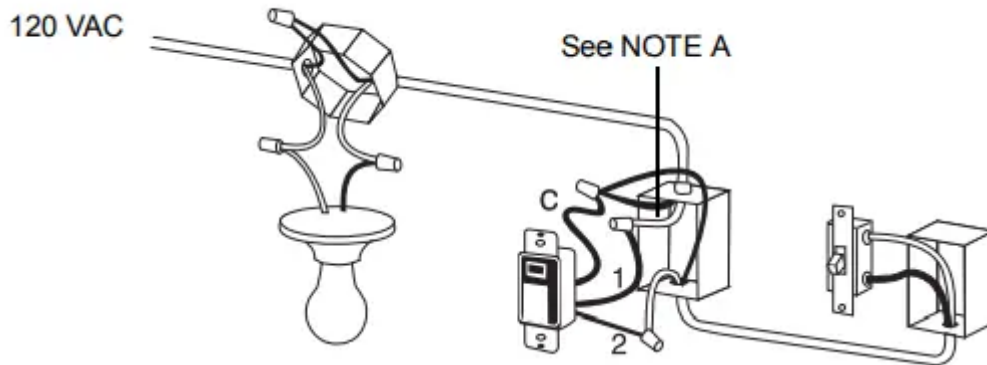
EXISTING 3-WAY INSTALLATION



Connect wire "C" of the RPLS530A/RPLS531A to the "common" wire, identified when removing the old switch. Connect the other two RPLS530A/RPLS531A wires to the two remaining wires.

At the other 3-way switch, connect the jumper wire between the "common" screw and the screw where wire "1" of the RPLS530A/RPLS531A is connected.

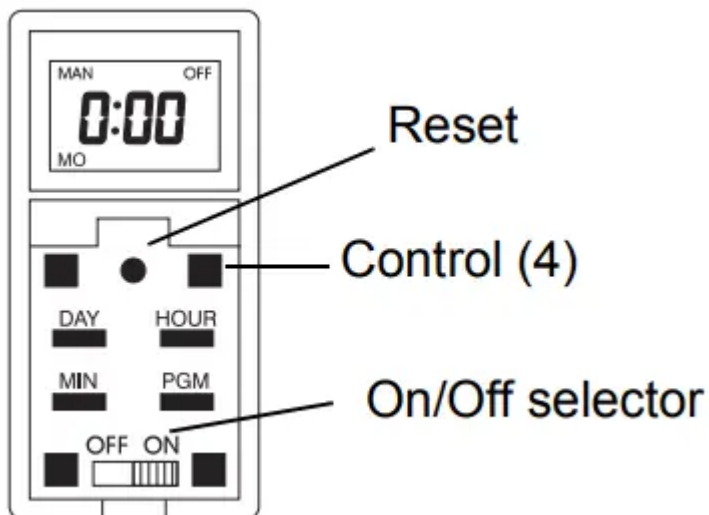
NEW 3-WAY INSTALLATION



The jumper wire is not required in this installation. A single-pole switch can be used as the other switch in a 3-way installation.

Power-On

1. Pry the switch door open from the bottom using a small screwdriver.
2. Ensure the ON/OFF selector is set to ON.
3. Reset the switch using a paper clip. 0:00 and MO will flash.



If the display is blank:

- Ensure the ON/OFF selector is properly engaged in the ON position. Push it to the right using a small screwdriver.
- If the programmable switch controls a lamp equipped with a built-in On/Off switch, ensure the lamp switch is set to On.
- Ensure the light bulb is not burned out and is tightly screwed in its socket.

EXISTING 3-WAY INSTALLATION

If either switch does not work properly, rewire the jumper between the "common" screw and the other screw.

WARNING: Before replacing the light bulb, place the ON/OFF selector in the OFF position. Failure to do so might damage the switch.

Setting the Clock

NOTE: The switch displays the time in 24-hour format by default or following a reset.

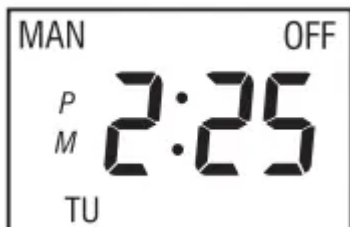
1. To change to 12-hour format (or vice versa), proceed as follows:
 - a) Press one of the control buttons to ensure the MAN or AUTO indicator is displayed.
 - b) Press the MIN and HOUR buttons simultaneously and briefly (0:00 display = 24-hour, 12:00 display = 12-hour).
2. Set the time using the HOUR and MIN buttons. If you have selected the 12-hour format, ensure that PM appears on the screen when an afternoon time is displayed.
3. Set the day by using the DAY button.
4. Press one of the control buttons or close the switch door to return to normal operation.

Selecting the Operating Mode

The programmable switch has 2 operating modes: manual (MAN) and automatic (AUTO). To switch mode, press the switch door for 3 seconds.

Manual Mode

The programmable switch operates as a regular switch. Briefly press the switch door to turn the lights On or Off. The mode (MAN) and state (ON or OFF) are displayed.



Automatic Mode

The programmable switch follows the programmed schedule. The mode (AUTO), state (ON or OFF) and current program number are displayed.

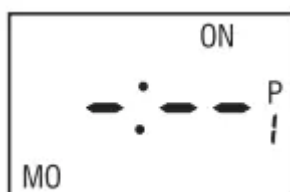


To temporarily override the programmed schedule, press the switch door. The new state (ON or OFF) will flash to show that this state is temporary. The override remains in effect until you press the switch door again or until the beginning of the next program.

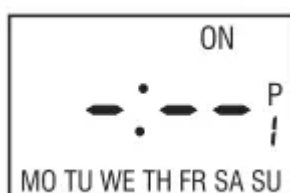
Programming

You can set up to 7 programs. To set a program, you need to enter its start time (ON) and its end time (OFF).

1. Pry the switch door open using a small screwdriver.
2. Press the PGM button to display a program and its On or Off time. For example, when you first press PGM, program number 1 (P1) and its On time (ON) will appear. -:- will appear instead of the time if the program is not set (inactive).



3. Press the DAY button to select the day to which you want to apply the program. NOTE: If you want to apply the program to every day of the week, press DAY until all the days are displayed. (This still counts as 1 program, not 7)



4. Press the HOUR and MIN buttons to set the ON time (time when you want the lights to turn on). If you have selected the 12-hour format, ensure that PM appears on the screen when an afternoon time is displayed.
5. After you have programmed the ON time, press the PGM button to display the OFF time (time when you want the lights to turn off).

6. Repeat steps 3 through 5 to program the OFF time. If the program ON time is set for every day of the week, the program OFF time will automatically be set for every day.



7. To set another program, repeat steps 2 through 6. Programs that are not set will remain inactive.

8. Press one of the control buttons or close the switch door to return to normal operation.

Clearing a Program

Press the PGM button until the desired program is selected. Hold the PGM button for 3 seconds. --:-- appears when the program is erased.

Technical Specifications

Supply: 120 VAC, 50 / 60 Hz

Minimum load: 40 watts

Maximum load: 500 watts

Operating temperature range: 5°F to 122°F (-15°C to 50°C)

Storage temperature range: -4°F to 122°F (-20°C to 50°C)

Power outage: The programs are protected by a rechargeable battery. The screen is blank during the power outage.

Certifications: CSA & UL

Troubleshooting

Blank display	<ul style="list-style-type: none">• Verify circuit breaker at main panel.• Verify if light bulb is burned out• Ensure the ON/OFF selector is at ON.• Reset the switch using a paper clip.
Faded or irregular display	<ul style="list-style-type: none">• Load is less than 40 W• Ambient temperature is below freezing point
Cannot switch between 24-hour format and 12-hour format	First, press one of the control buttons so that MAN or AUTO appears on display.
Programs do not run as expected	<ul style="list-style-type: none">• Make sure the switch is properly programmed.• Note that -:- indicates an inactive program, 00:00 indicates midnight.• If the switch has been configured for 12-hour format, check that PM appears on the left side of the screen when an afternoon time is displayed.
The metal plate is hot	This is normal with high loads (maximum of 500 W).

Warning

This content is compiled from multiple sources and is provided for reference purposes only. It may not be complete or fully applicable to all situations. If you are unable to resolve your issue, please contact the product manufacturer or an authorized service provider for official support.