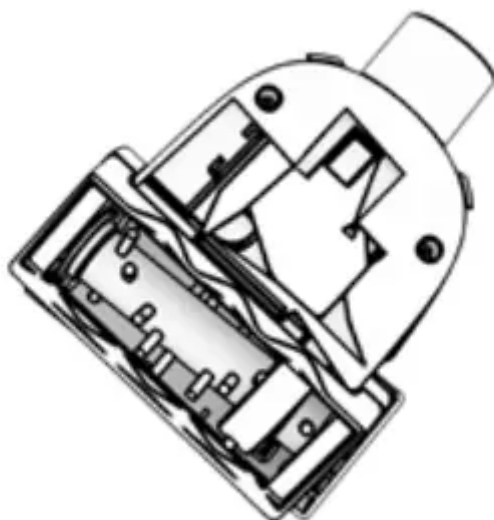


What's in the Box?

Available Tools and Accessories***

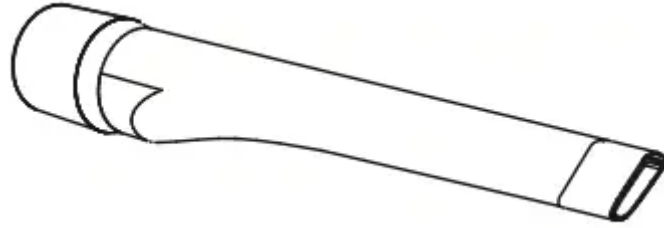
Pet Turbo Tool: Designed to remove stubborn pet hair from furniture, stairs, upholstery and more



Dusting Brush: Delicate bristles that gently clean fine dust



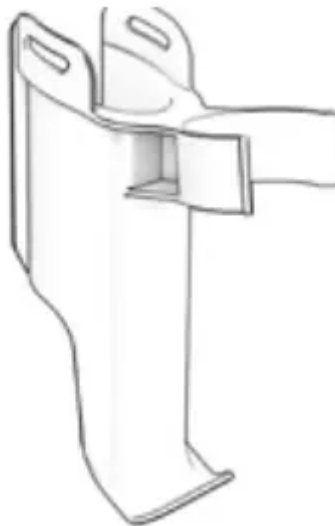
Crevice Tool: Great for cleaning in tight spaces and hard-to-reach corners



Extra Primary Filter: Additional filter makes regular maintenance more convenient



Pet Turbo Tool Accessory Clip: Attaches to the wand for easy and convenient onboard storage

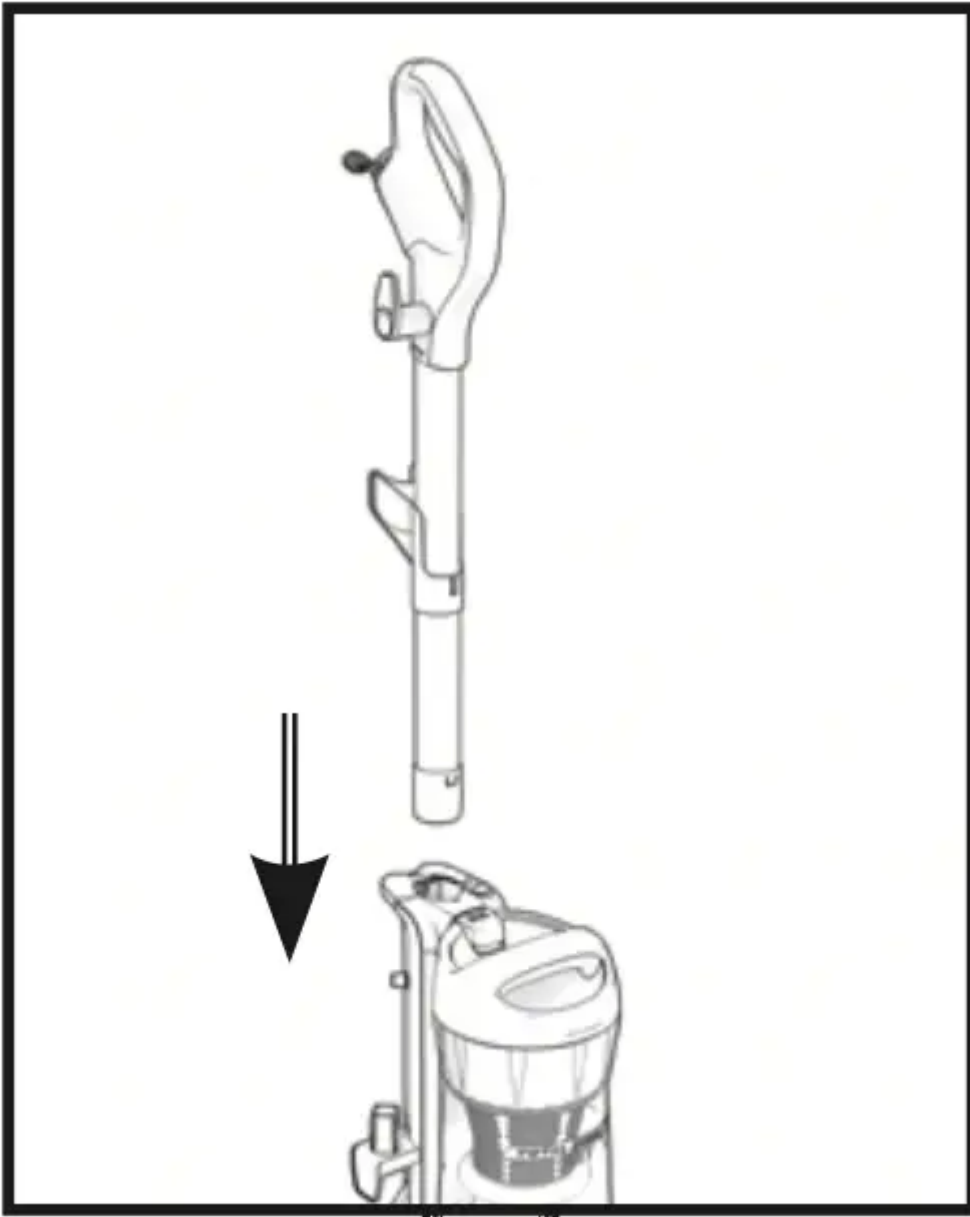


***Tools vary by model number. Refer to Hoover.com or Hoover.ca for tools included in each model.

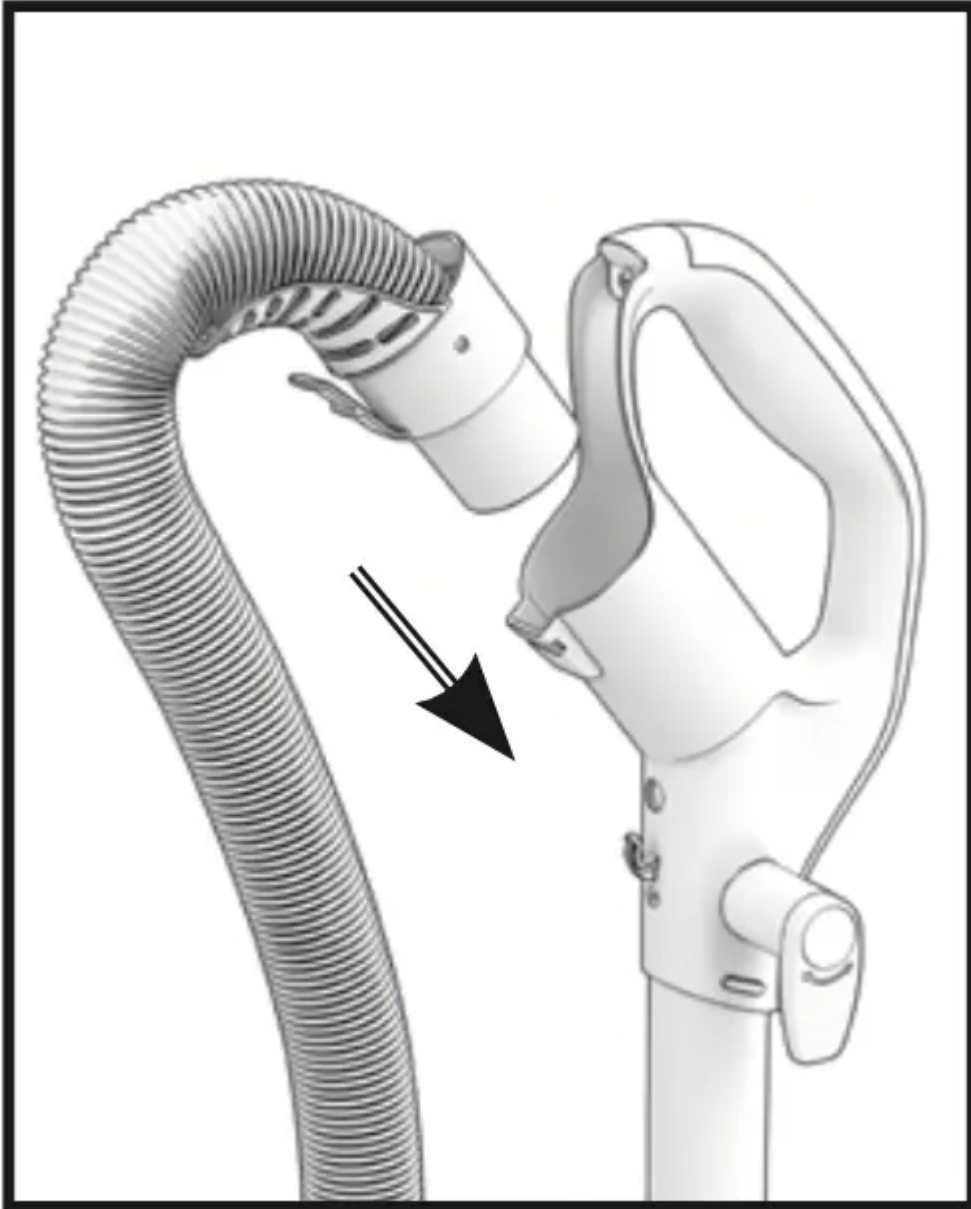


Assembly

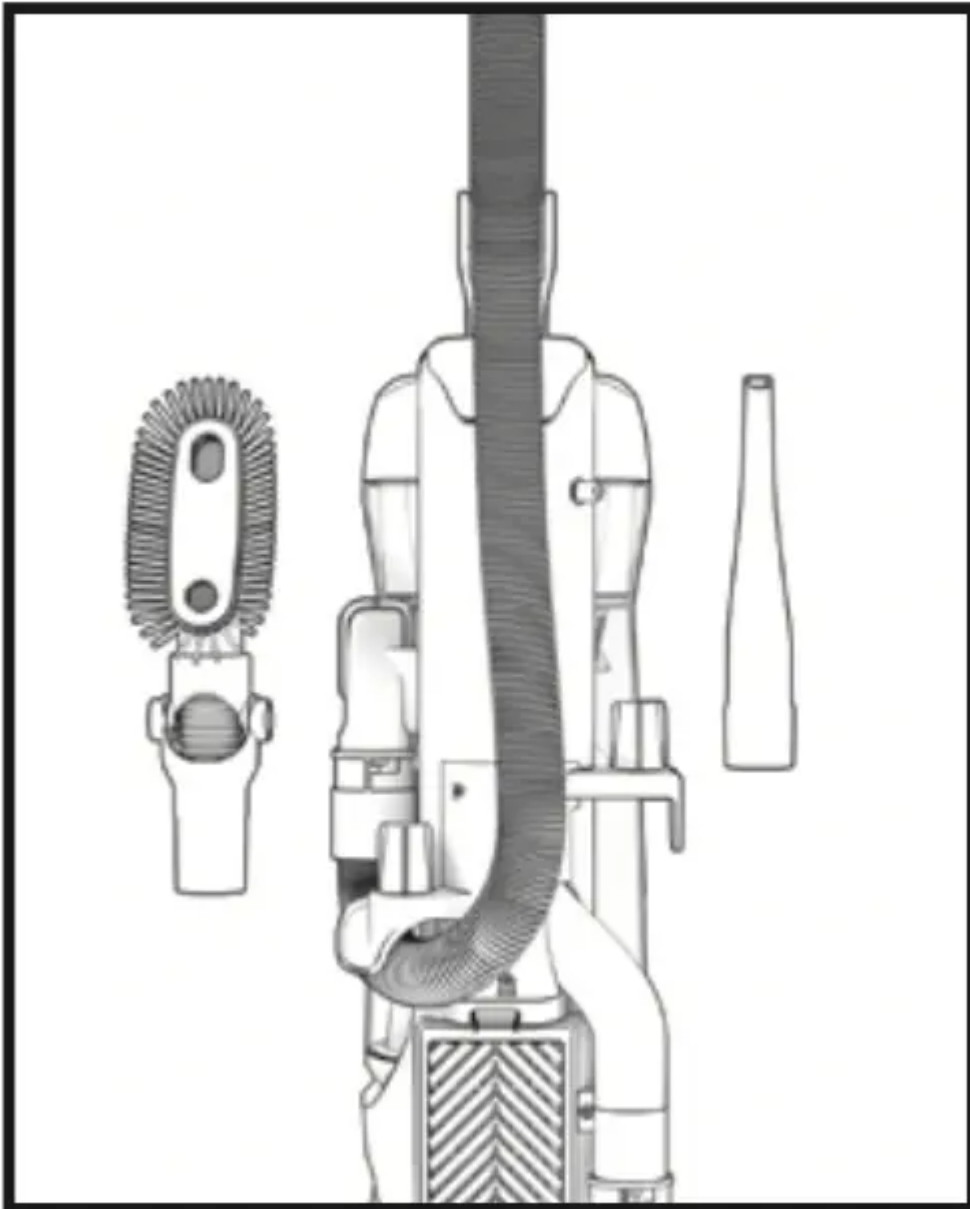
1. Insert the wand into the spine until it clicks in place.



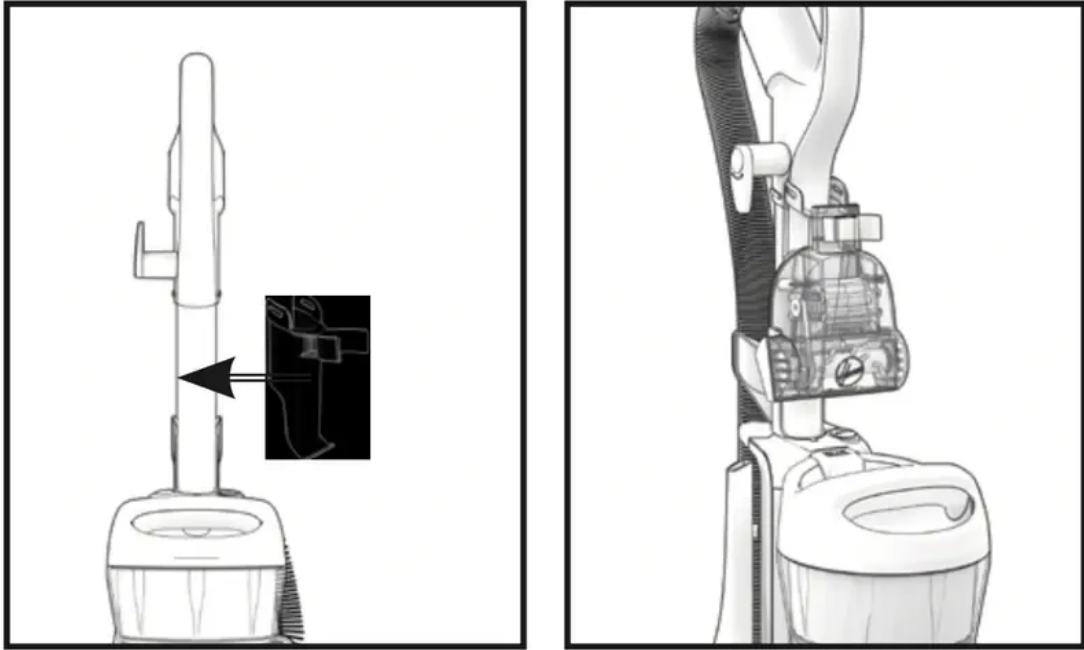
2. Insert the hose into the handle until it clicks in place.



3. Place tools onboard.
Press firmly into place.



4. Optional: Attach Pet Turbo Tool clip to wand until you hear a click. Insert Pet Turbo Tool.



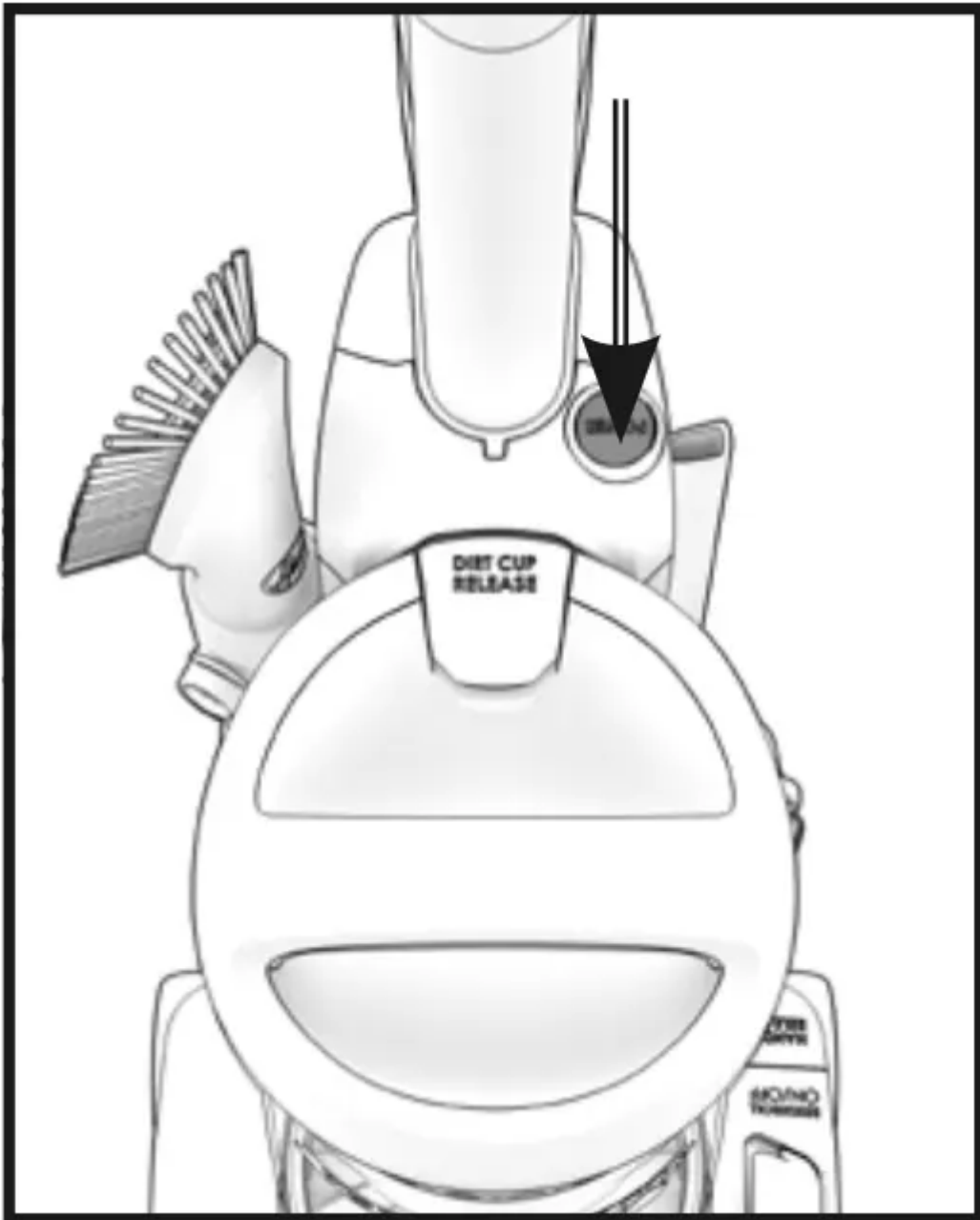
Tip: Make sure all pieces click into place.

Tip: Wrap cord around cord hooks for convenient storage. Attach the plug to the end of the cord. Always store the vacuum with the power cord secured around the two cord hooks.

Tip: To unwrap the cord quickly, rotate the cord hook 180 degrees.

User Controls

1. Power the unit ON/OFF.*



2. Brush Roll ON/OFF Pedal.*

ON: Carpets

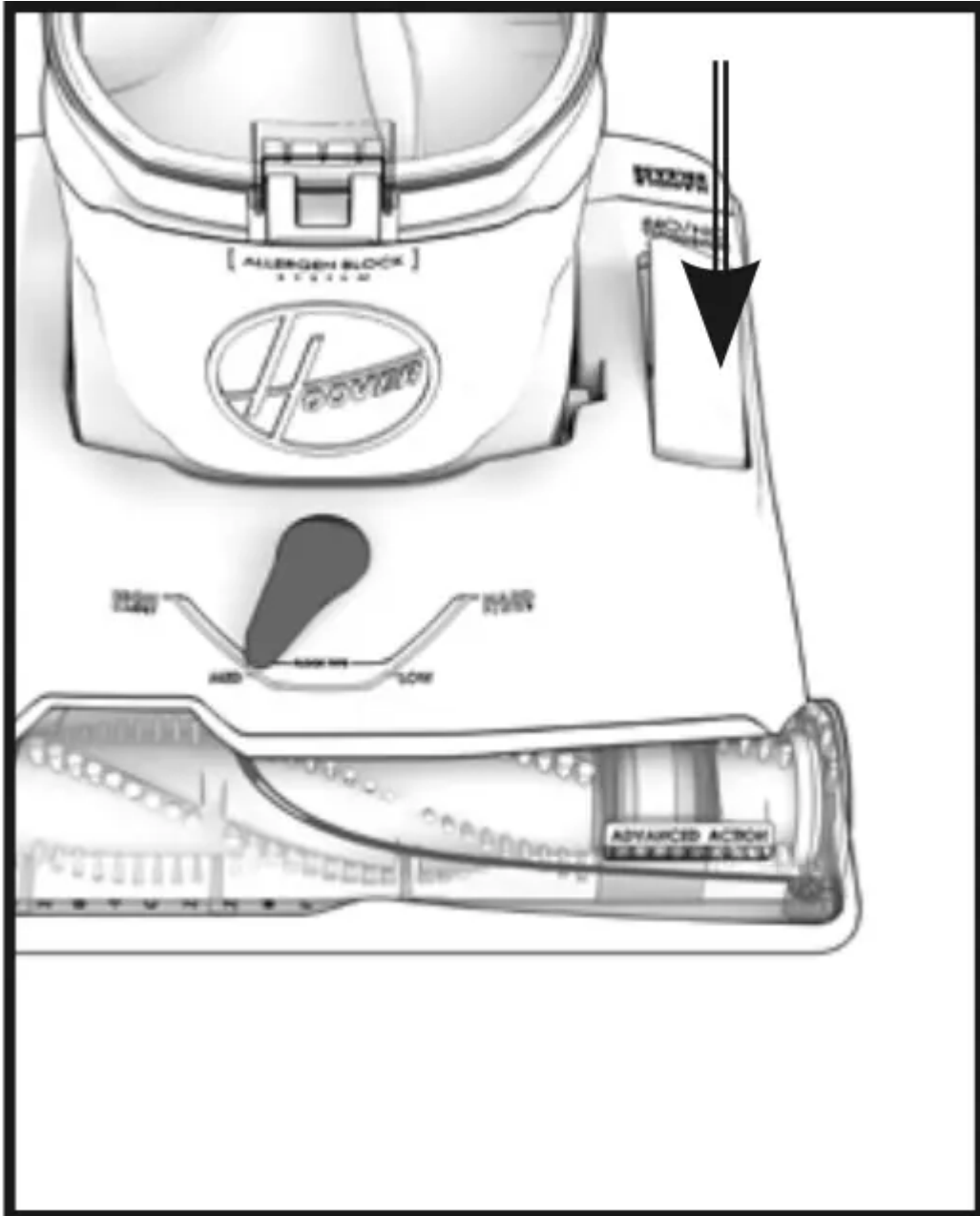
OFF: Hard Floors

To turn the Brush Roll ON/OFF, step on the pedal.

IMPORTANT! Pedal is inactive when the cleaner is in the upright position.

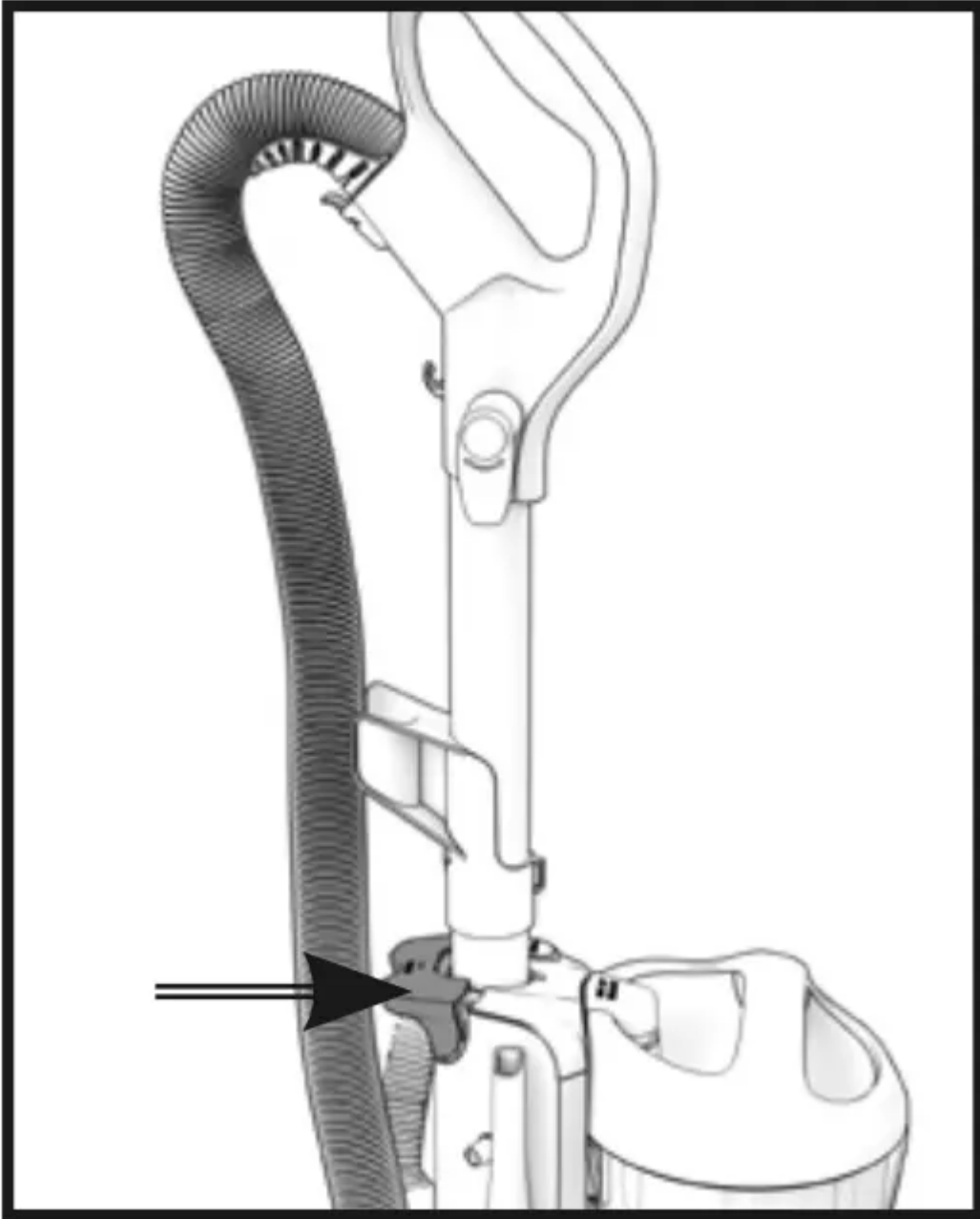
CAUTION! Brush roll should be in OFF position for cleaning of high pile carpet deeper

than 1".



3. Quick Release Cleaning Wand.*

Press the 'Wand Release' and pull out of the vacuum for above floor cleaning.



4. 4 Level Height Adjustment Lever* To adjust the height setting, turn the lever to the desired height setting.

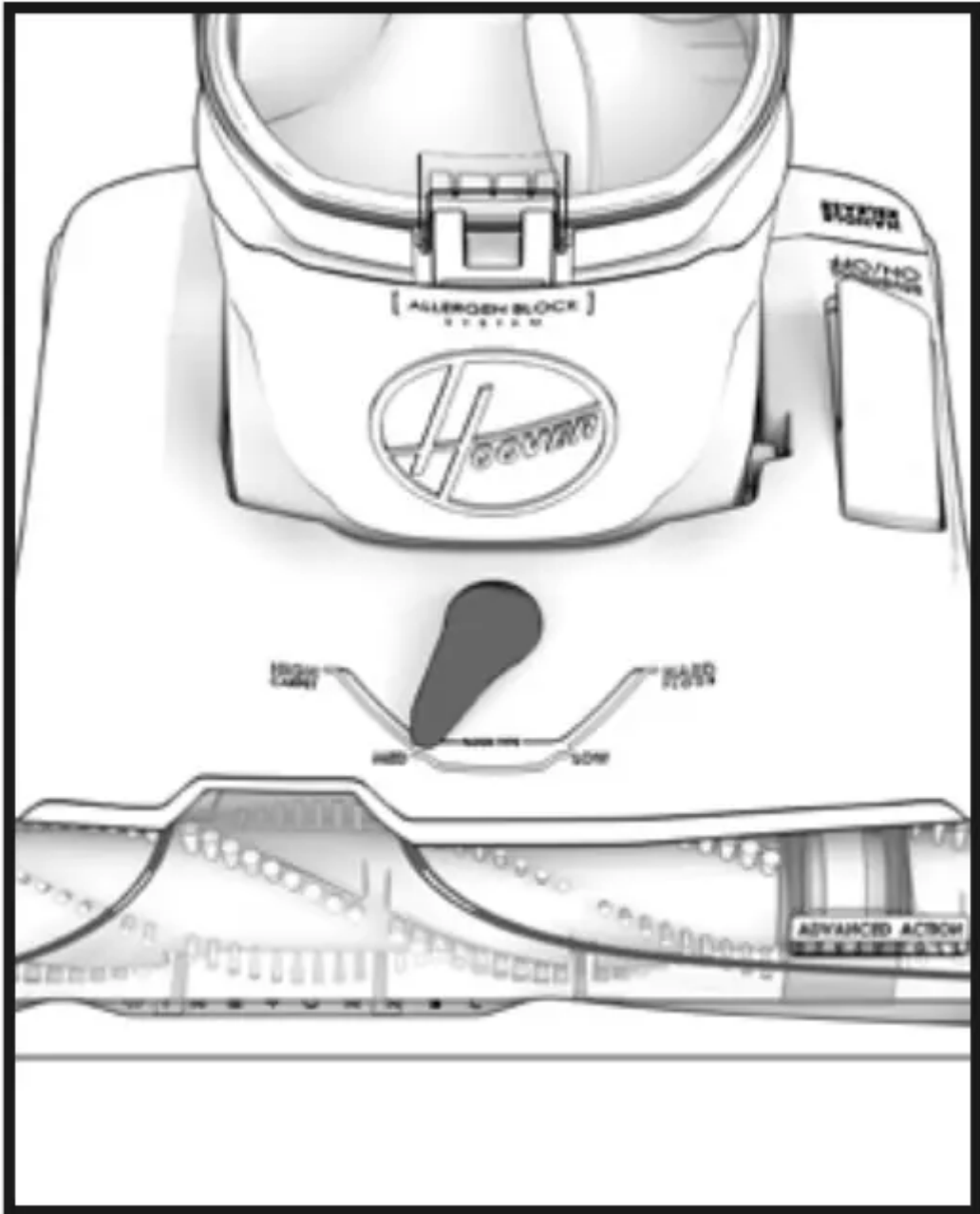
For maximum cleaning performance, the following carpet height settings are recommended:

Hard floor setting: use for hard floors only

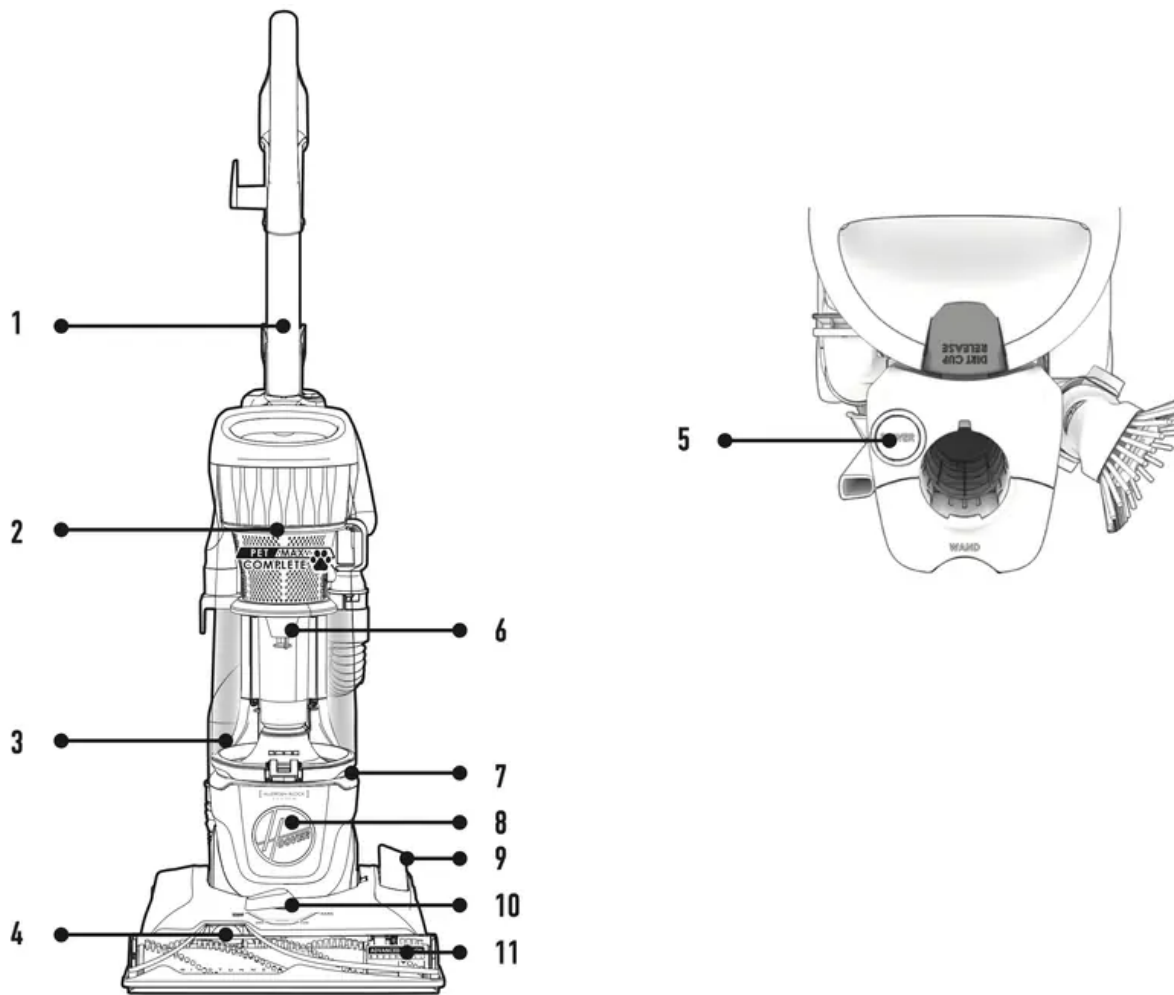
Low and Medium setting: adjust depending on carpet type

High carpet setting: for use on high pile carpets to ease pushing effort

IMPORTANT! If the vacuum is difficult to push, rotate the lever to the next higher setting.



Getting to Know Your Hoover Pet Max Complete

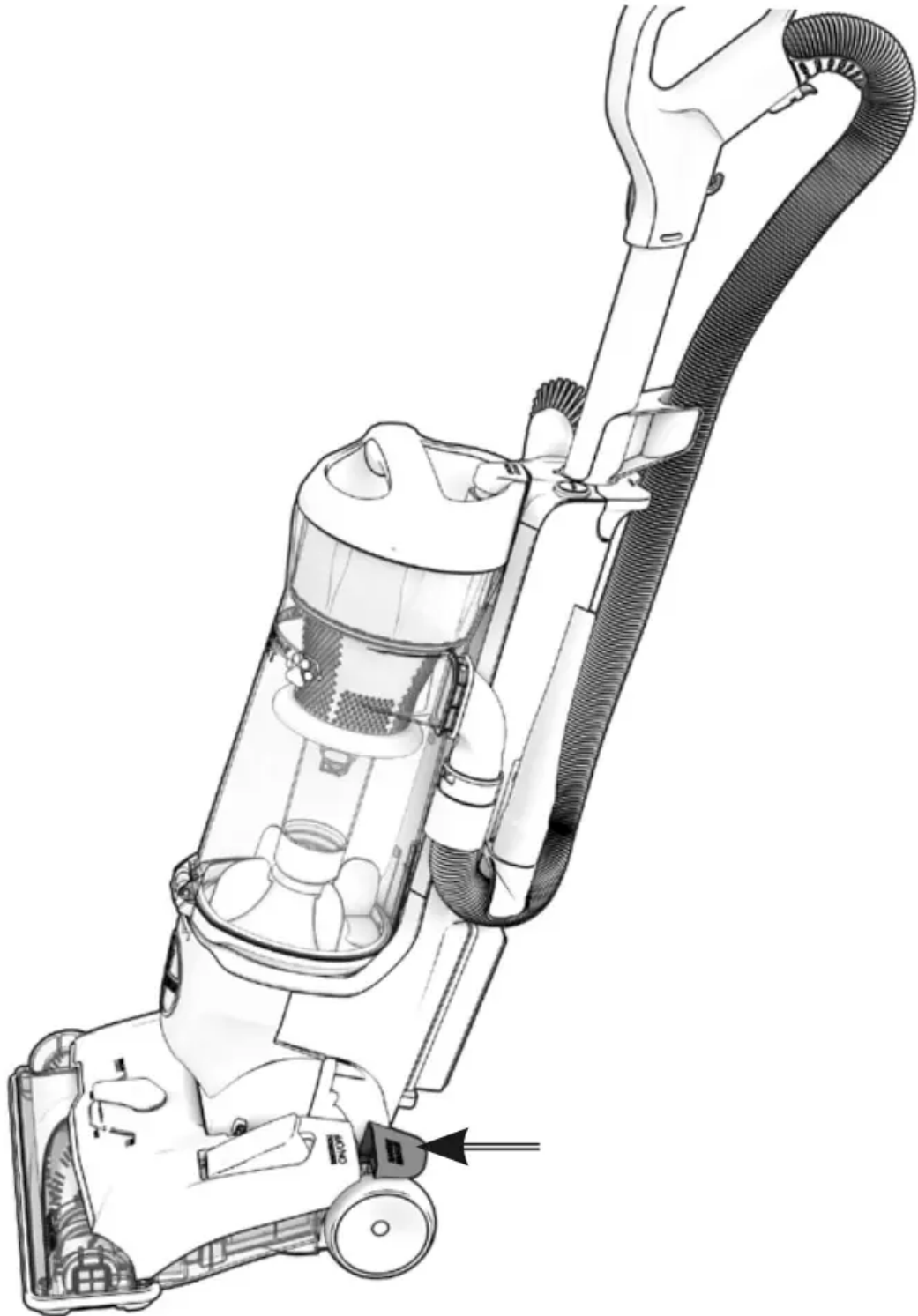


1. Quick Release Cleaning Wand
2. Dual-Cyclonic Filtration System
3. Rinsable Filter
4. WindTunnel® Technology
5. Power ON/OFF
6. Extra Large Capacity Dirt Cup
7. Odor Absorbing Filter
8. AllergenBlock™ Technology
9. Multi-Floor ON/OFF Pedal
10. 4 Level Height Adjust
11. Advanced Action™ Brush Roll

Using Your Hoover Pet Max Complete

Upright Mode

1. Step pedal on on the 'Handle Release' the foot of the vacuum and pull the handle back.
2. Turn the vacuum ON.



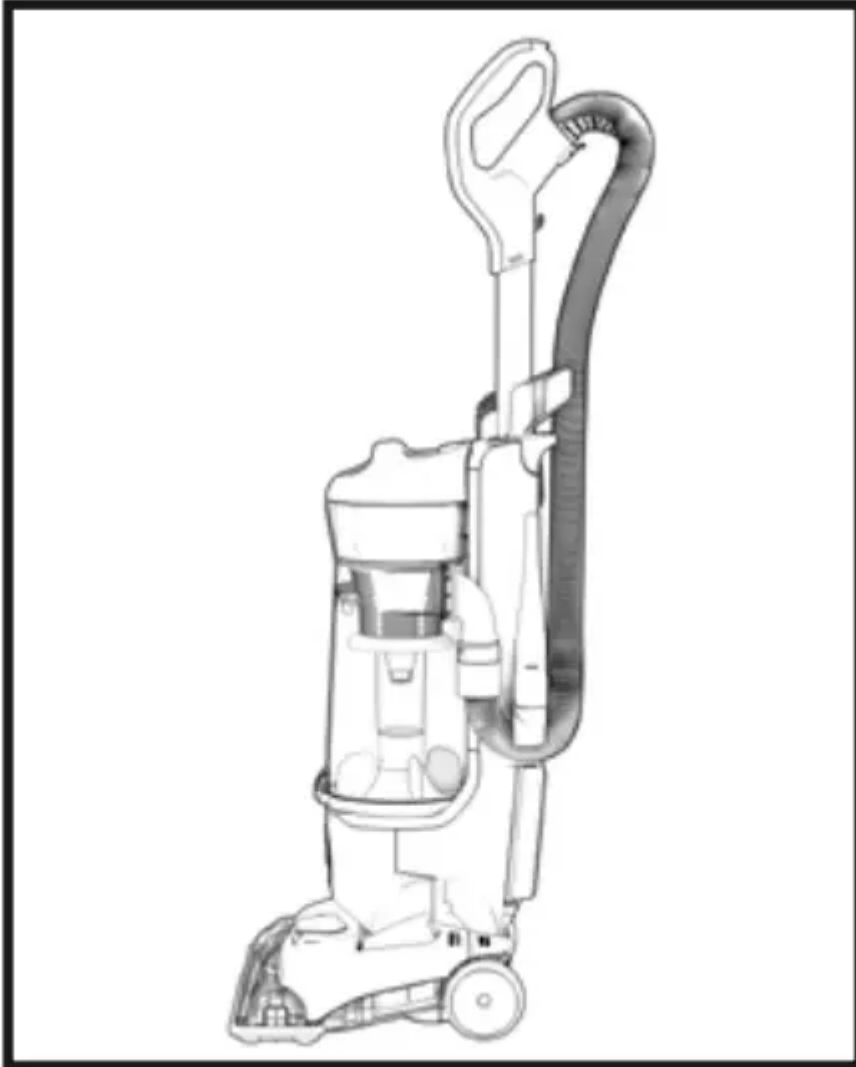
TIP: For optimal cleaning, turn the brush roll ON for carpets and OFF to prevent the scatter of debris on hard floors.

CAUTION: Use extra care when cleaning on stairs. To avoid personal injury or damage, and to prevent the cleaner from falling, always place cleaner at the bottom of the stairs or on the floor. Do

not place cleaner on stairs or furniture, as it may result in injury or damage. When using tools, always ensure handle is in the upright position.

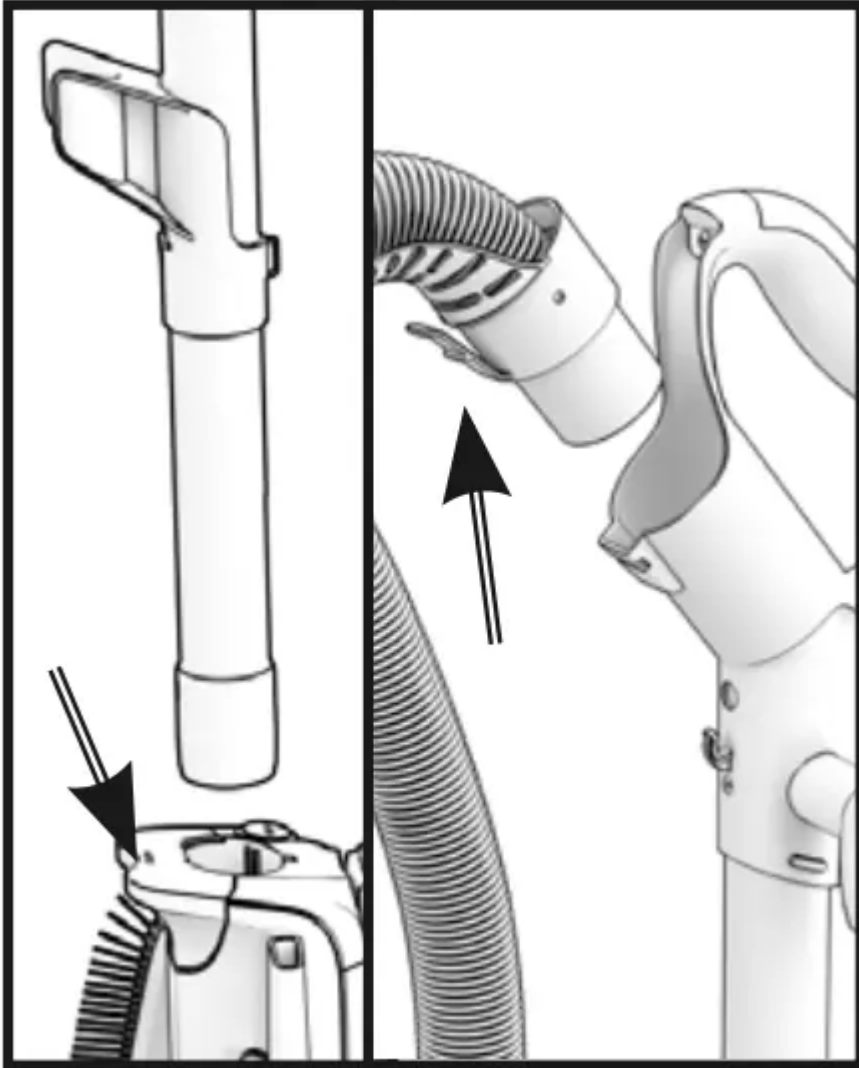
Above Floor Mode

1. Make sure the vacuum is in the upright position.



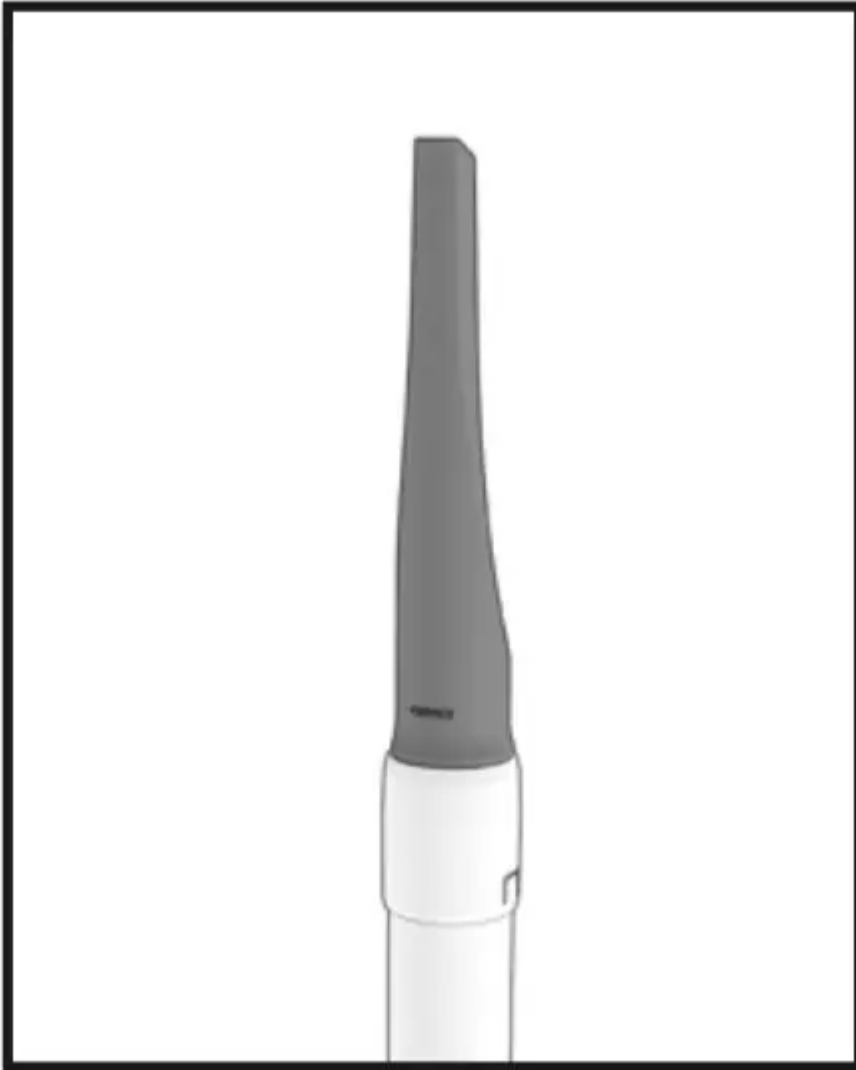
2. Press the wand release button and pull the wand out of the vacuum.
OR

Press the hose tab to remove the hose from the handle.

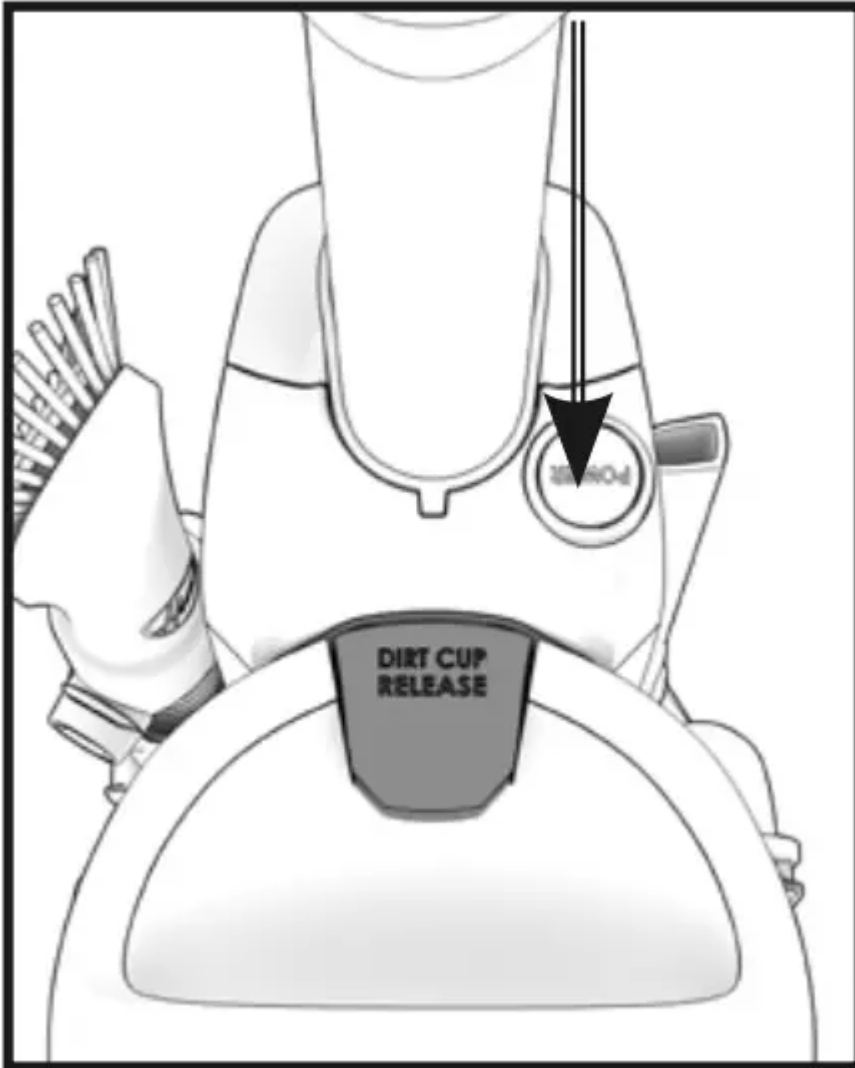


3. Attach the cleaning accessory to the end of the wand or hose.

Tip: Twist and push to lock tools in place.



4. Turn the vacuum ON.



Maintenance

Any other servicing should be done by an authorized service representative.

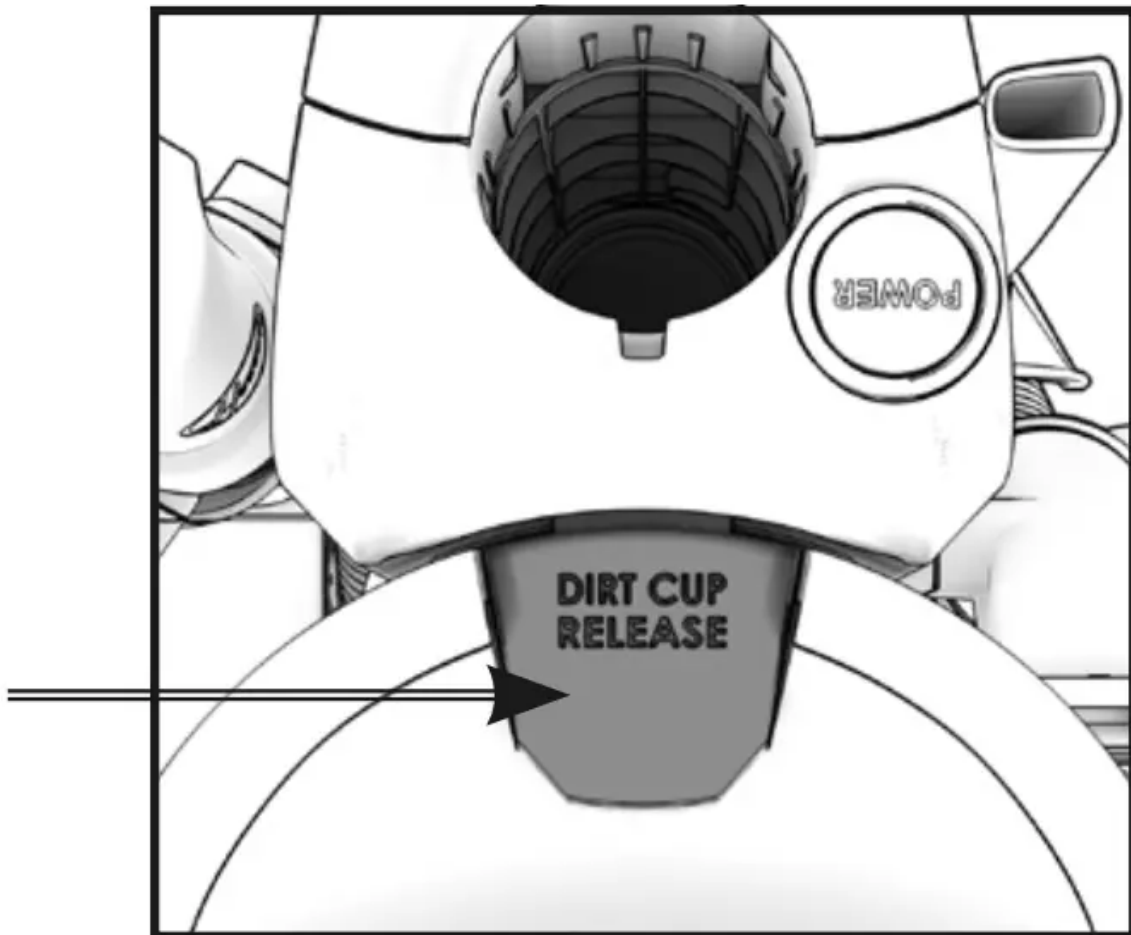
If appliance is not working as it should, has been dropped, damaged, left outdoors, or dropped into water, call customer service at 1-800-844-9200 prior to continuing use. Hoover® Pet Max Complete vacuums should have regular maintenance checks to maintain optimal performance and suction.

NOTICE: A Thermal Protector has been designed into your cleaner to protect it from overheating.

When the Thermal Protector activates, the cleaner will stop running. If this happens proceed as follows:

1. Turn the cleaner OFF and unplug it from the electrical outlet.
2. Empty the dirt cup.

3. Inspect the nozzle inlet, hose connector, hose, dirt cup inlet, cyclonic filter, rinsable filter and HEPA filter for any obstructions. Clear obstructions if present.
4. When the cleaner is unplugged and the motor cools off for 30 minutes, the Thermal Protector will deactivate and cleaning may continue. If the Thermal Protector continues to activate after following the above steps, your cleaner needs servicing. Refer to the Warranty section in the user manual for servicing information.

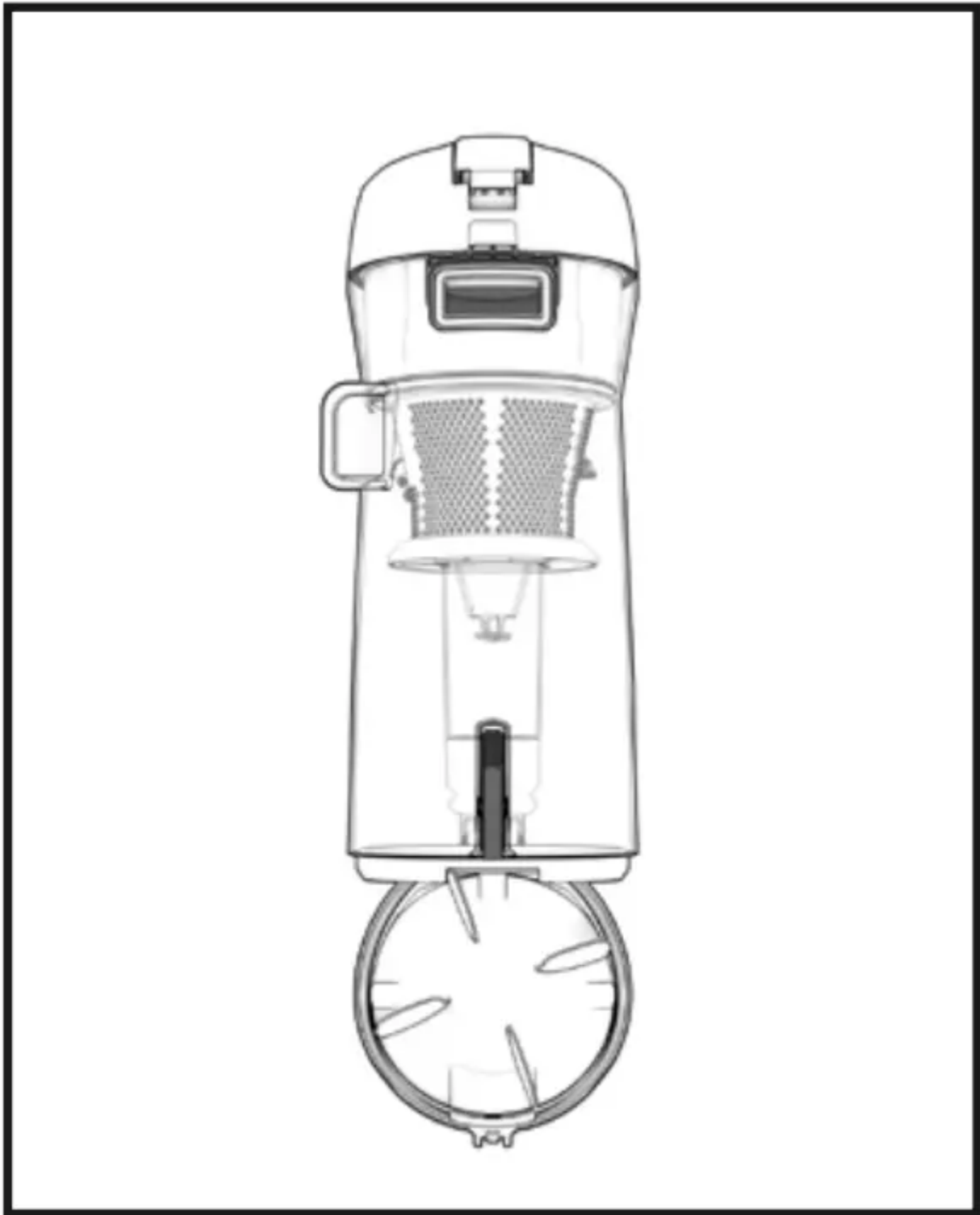


Dirt Cup Release

WARNING: To reduce the risk of personal injury, unplug before cleaning or servicing.

Emptying the Dirt Cup

1. Remove the dirt cup by pressing the dirt cup release button.
2. Hold the dirt cup over your trash can and press the dirt cup trap door release to empty the dirt cup.



Empty Dirt Cup

TIP: Empty the dirt cup after every use to maintain optimal performance.

WARNING! Do not use vacuum without dirt cup and dry filters.

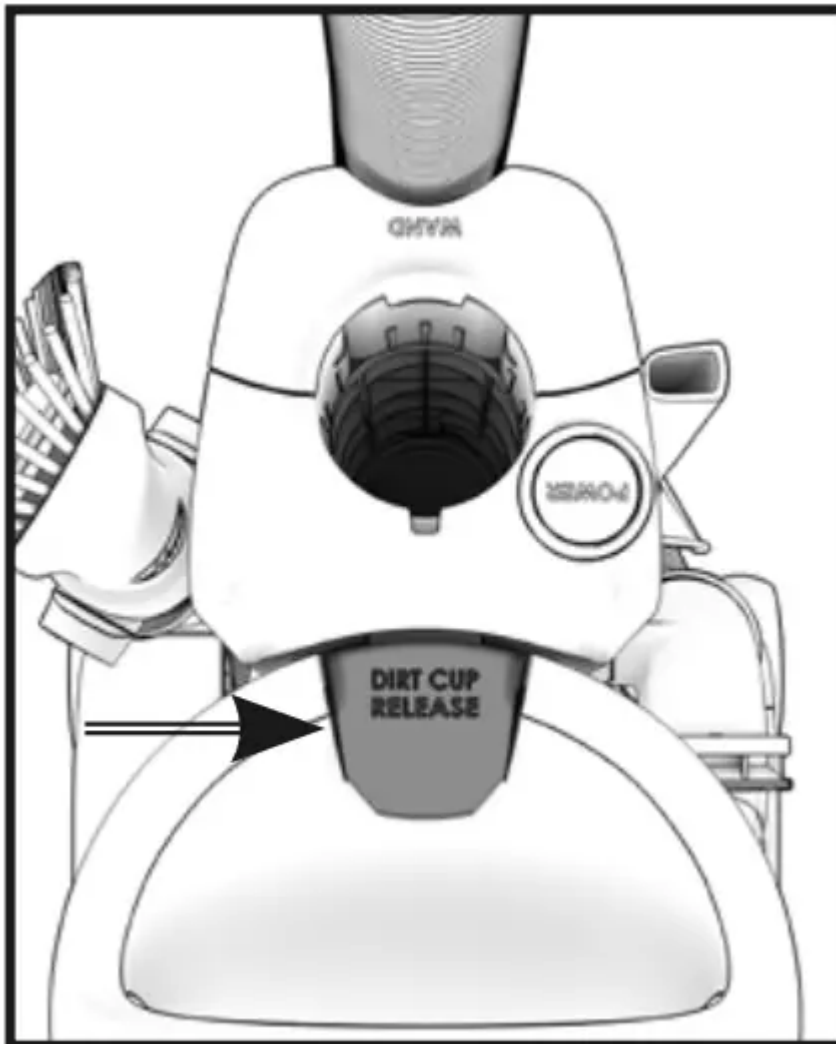
Cleaning the Filter

Rinsable Filter

WARNING! To reduce the risk of personal injury, unplug before cleaning or servicing.

TIP: Replace filters when heavily discolored. Make sure the filter is flush with the bottom of the filter housing.

1. Remove the dirt cup by pressing the dirt cup release button.



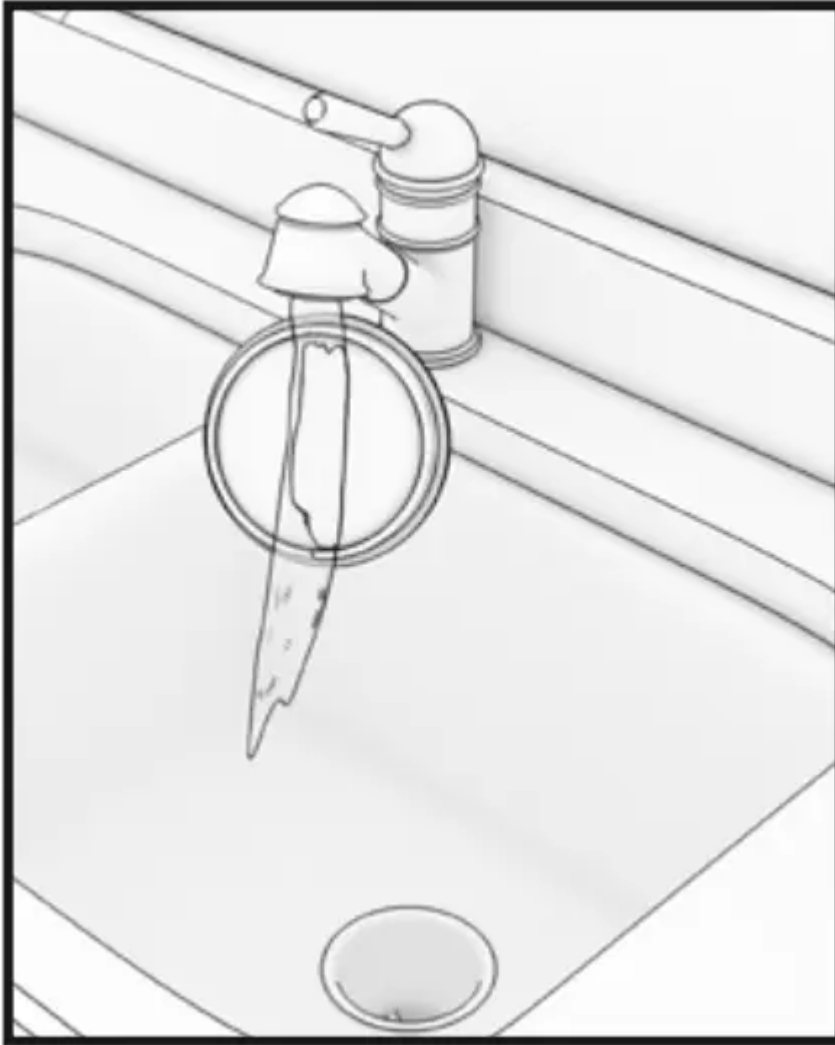
2. Access the rinsable filter under the filter access door.



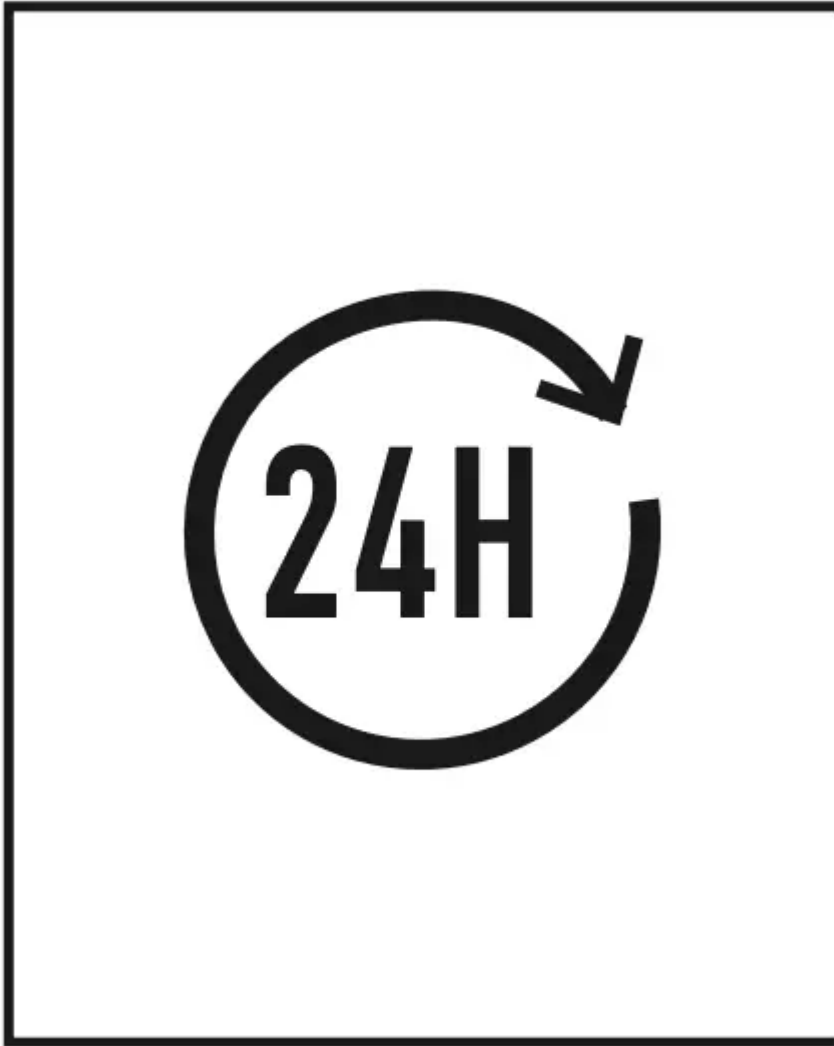
3. To remove, pull up on the tab provided.



4. Rinse under running water until all dirt is out of the filter.

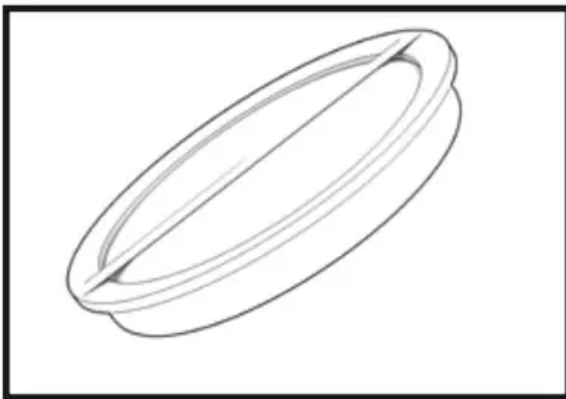


5. Let your filter dry for 24 hours before replacing into vacuum.

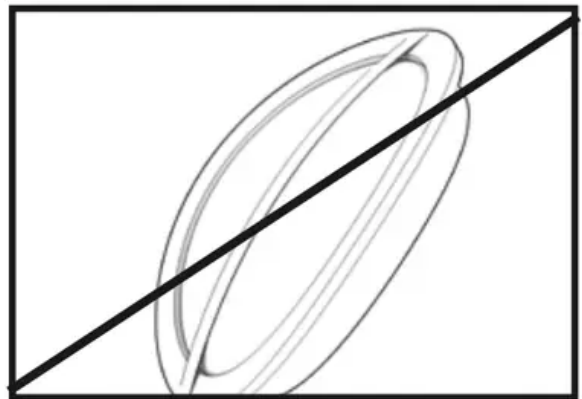


TIP: DO NOT blend filter.

YES



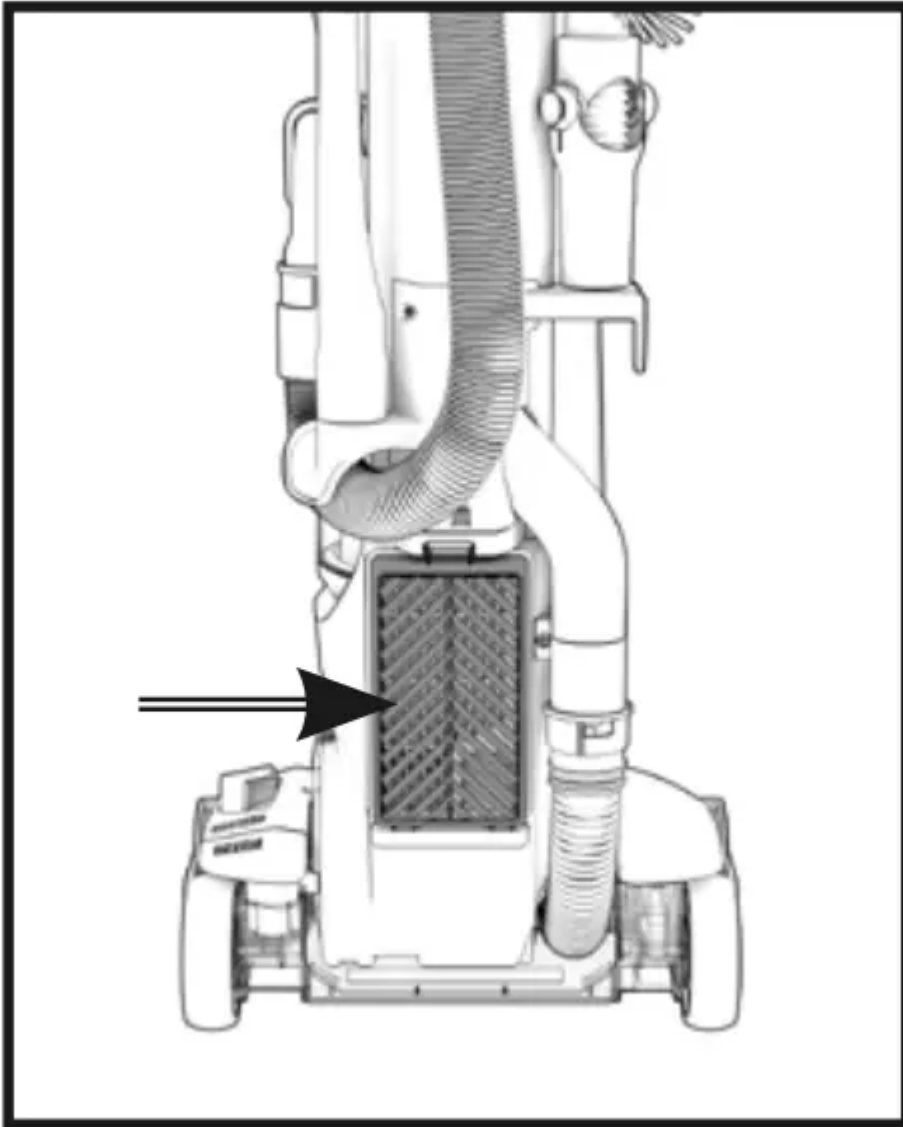
NO



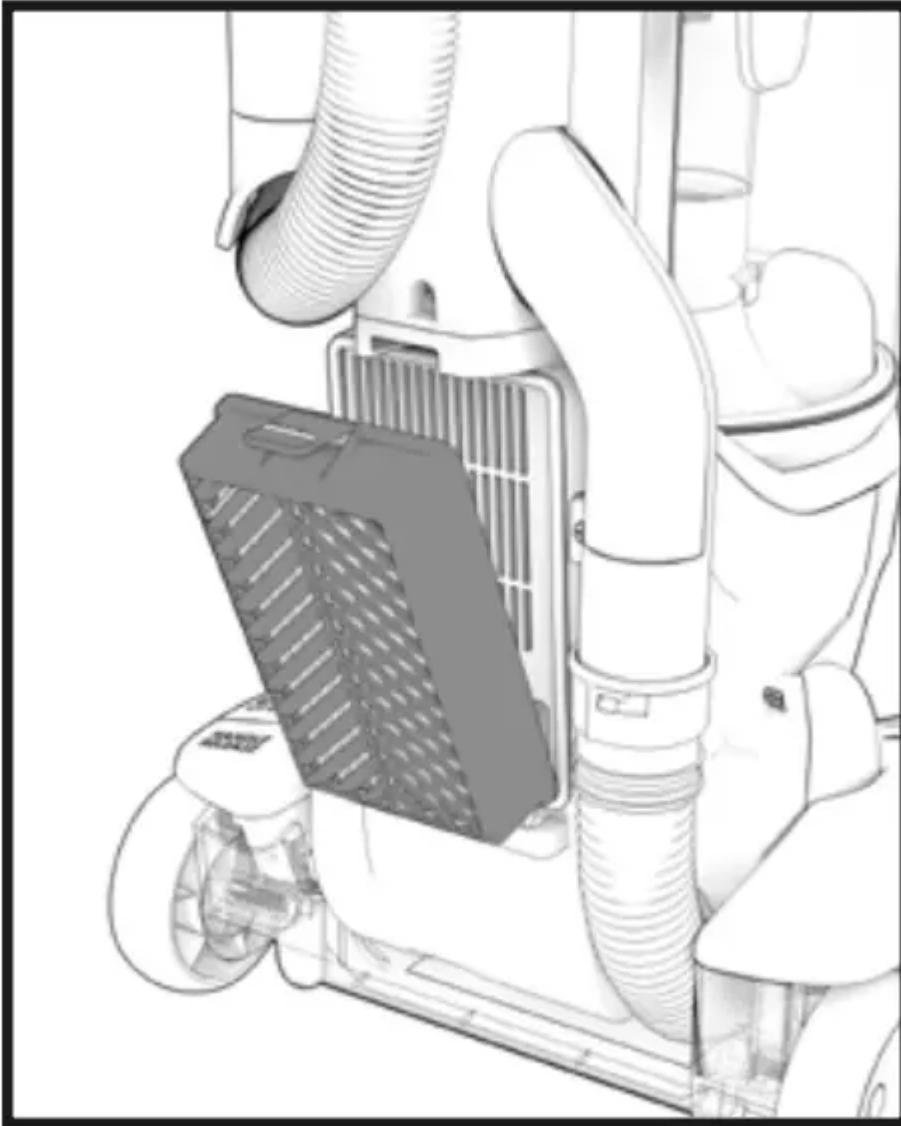
HEPA Filter

WARNING! To reduce the risk of personal injury, unplug before cleaning or servicing.

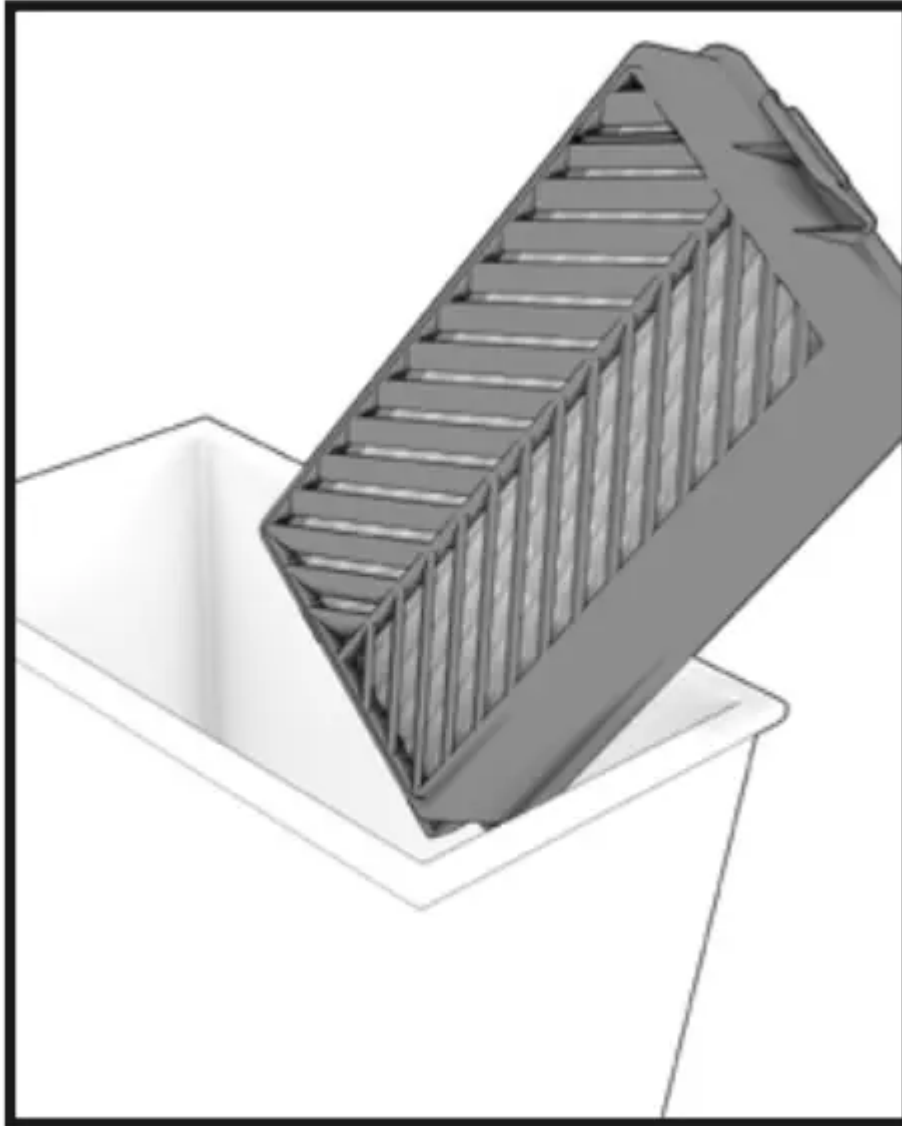
1. Locate the HEPA Filter on the back of the vacuum.



2. Push down on the top tab and pull out.



3. Push down on the top tab and pull out.



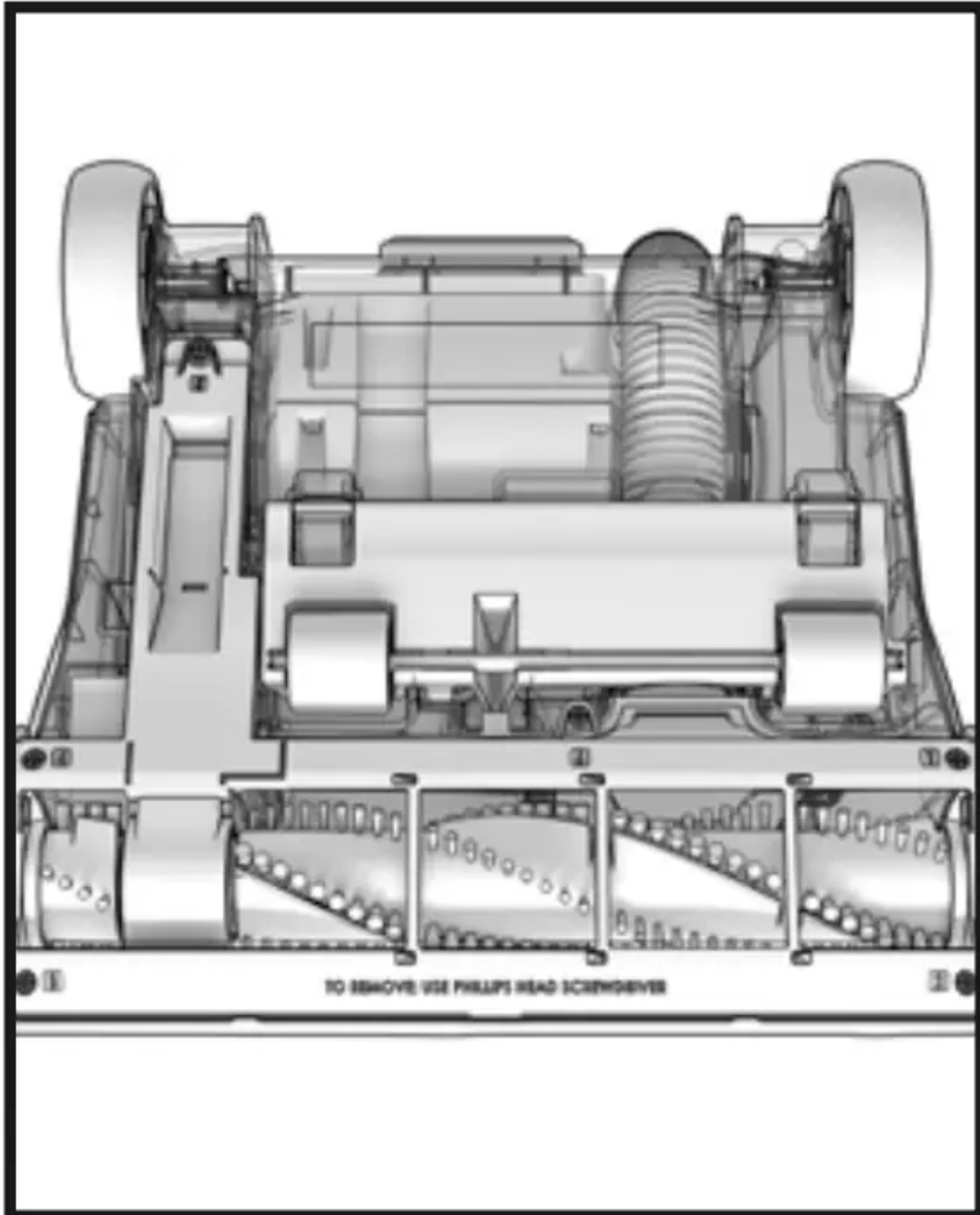
TIP: DO NOT RINSE THE HEPA FILTER. Replace filters when heavily discolored. Do not use your vacuum without all of the filters in place.

Cleaning & Maintaining the Brush Roll

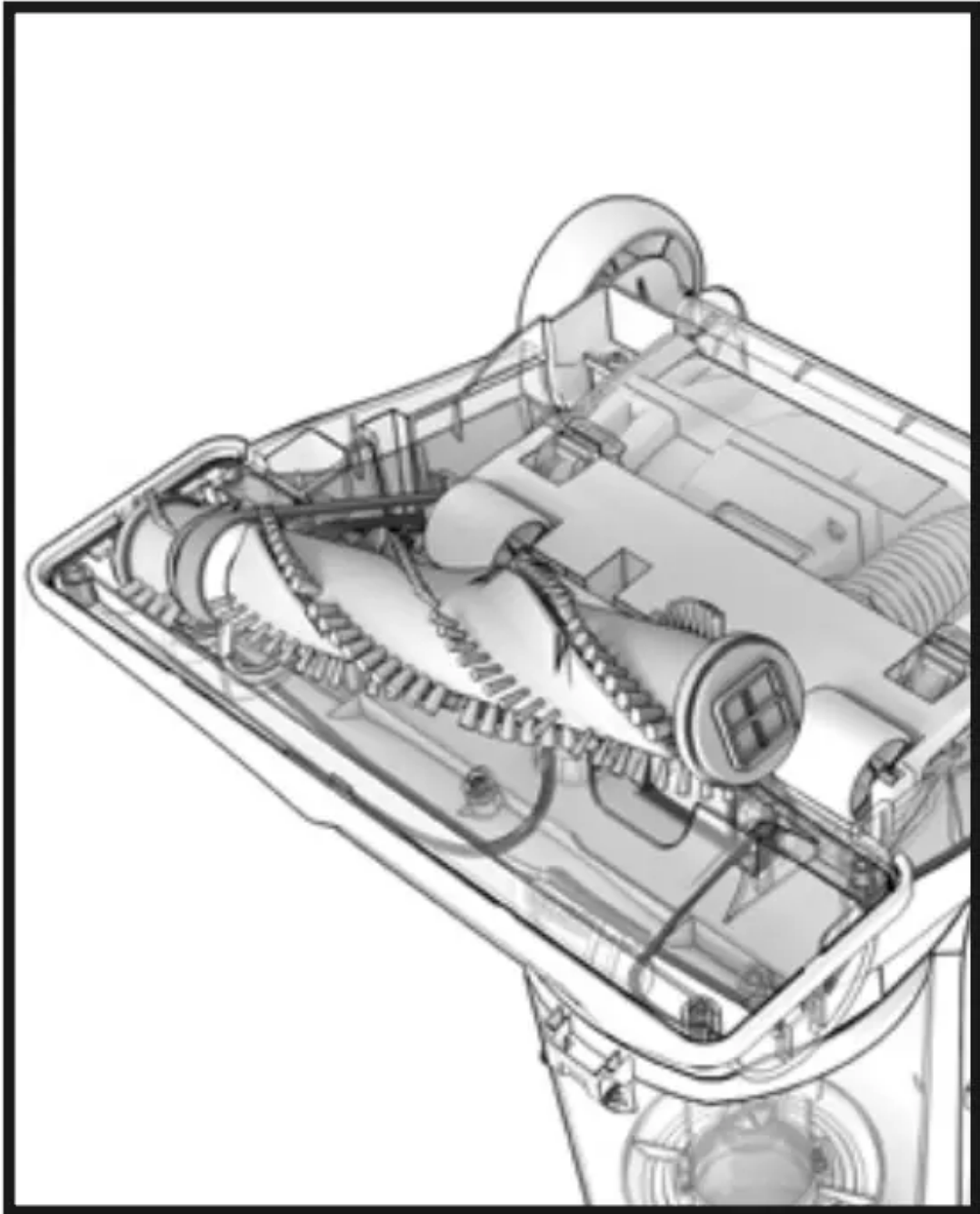
CAUTION! To reduce the risk of injury from moving parts, unplug before serving.

LUBRICATION: The motor and brush roll are equipped with bearings which contain sufficient lubrication for their lifetime. The addition of lubrication could cause damage. Do not add lubricant to motor or brush roll.

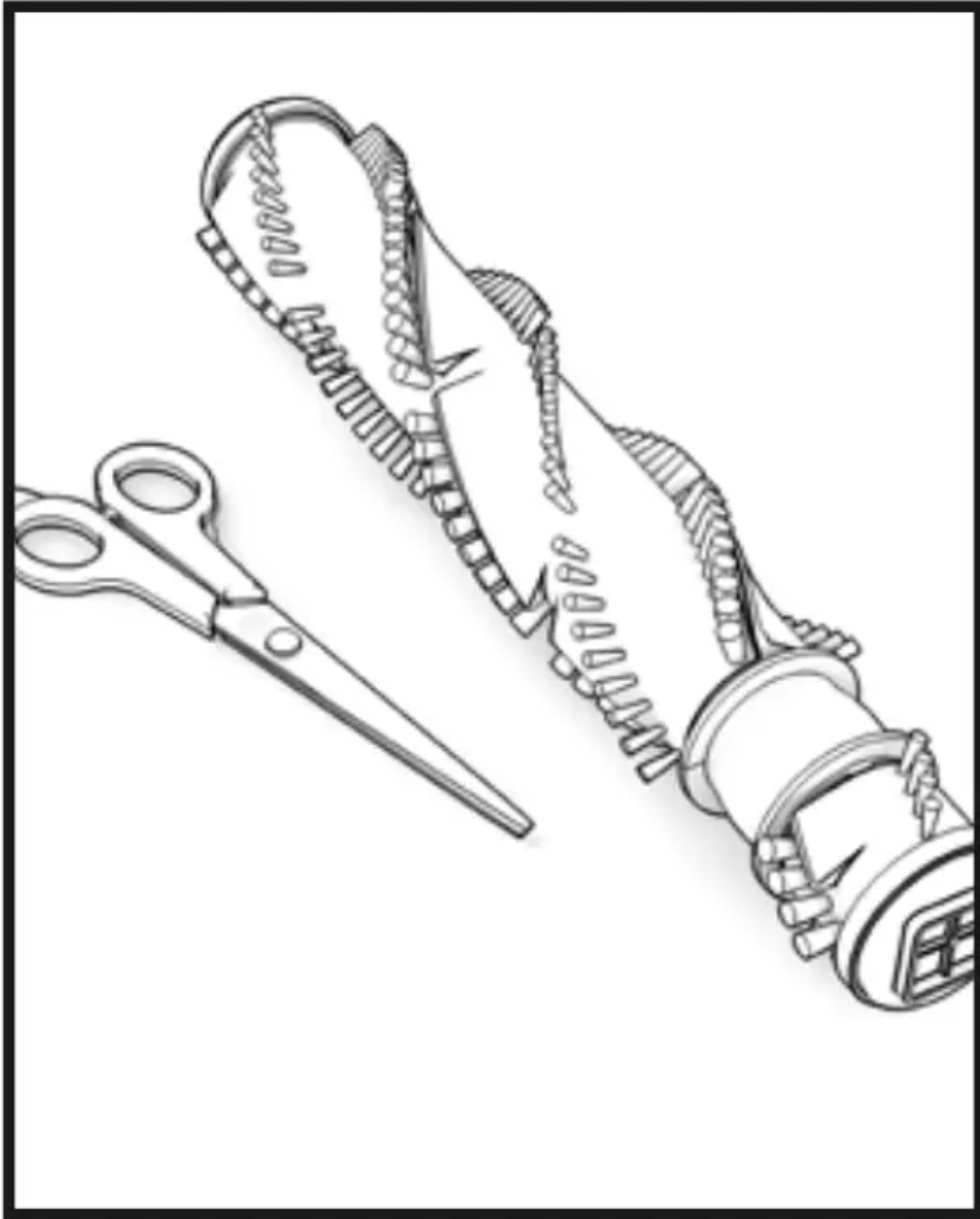
1. Lower the handle to the reclined position, and flip the unit over. To access the brush roll, unscrew the nozzle guard from the nozzle.



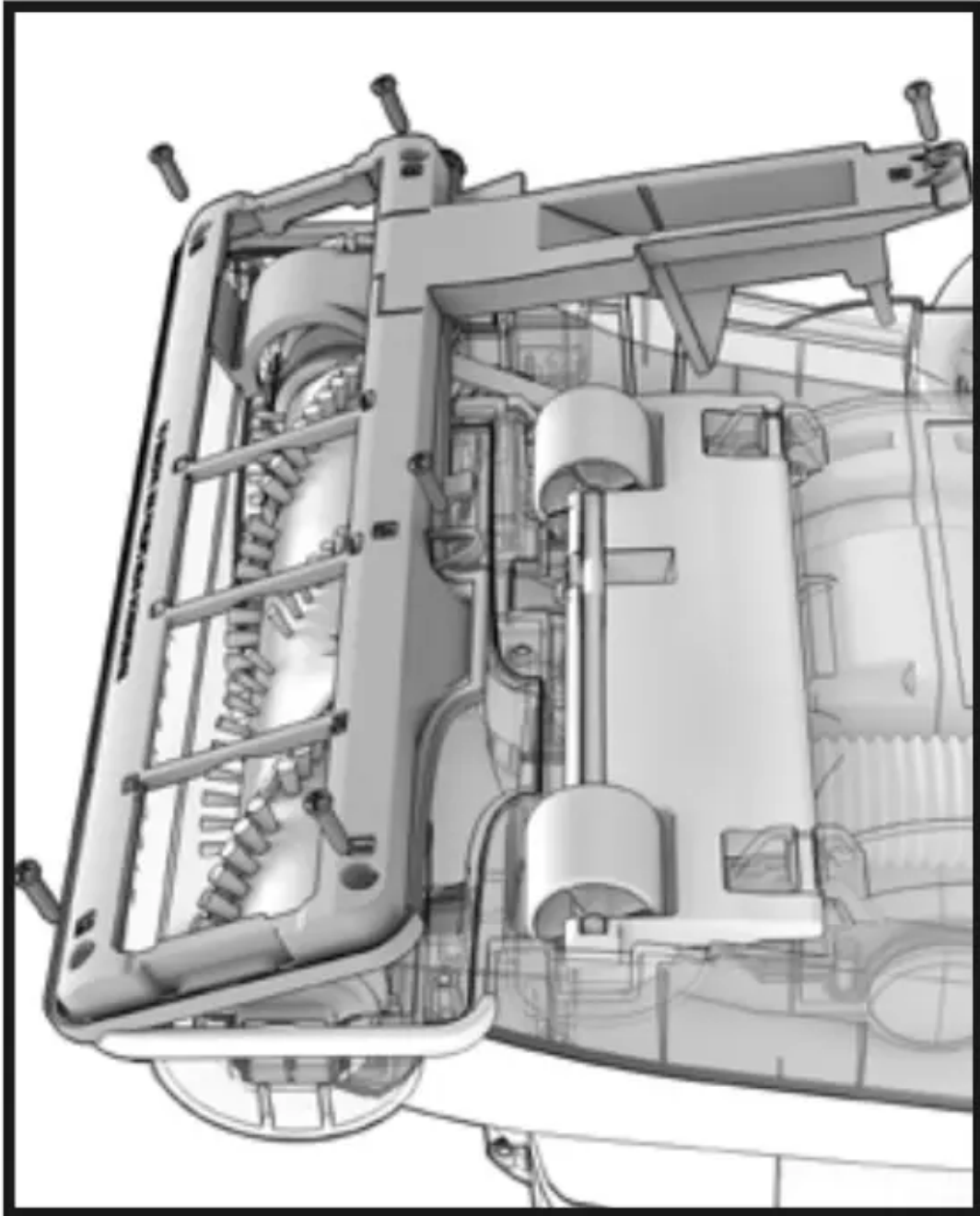
2. Remove the brush roll by pulling it up and out from the vacuum belt.



3. Remove any hair or blockages.



4. Replace the brush roll and nozzle guard. Secure with screws.



TIP: Rotate the brush roll manually to ensure the belt is properly installed.

Belt Replacement

CAUTION: To reduce the risk of injury from moving parts, unplug before servicing.

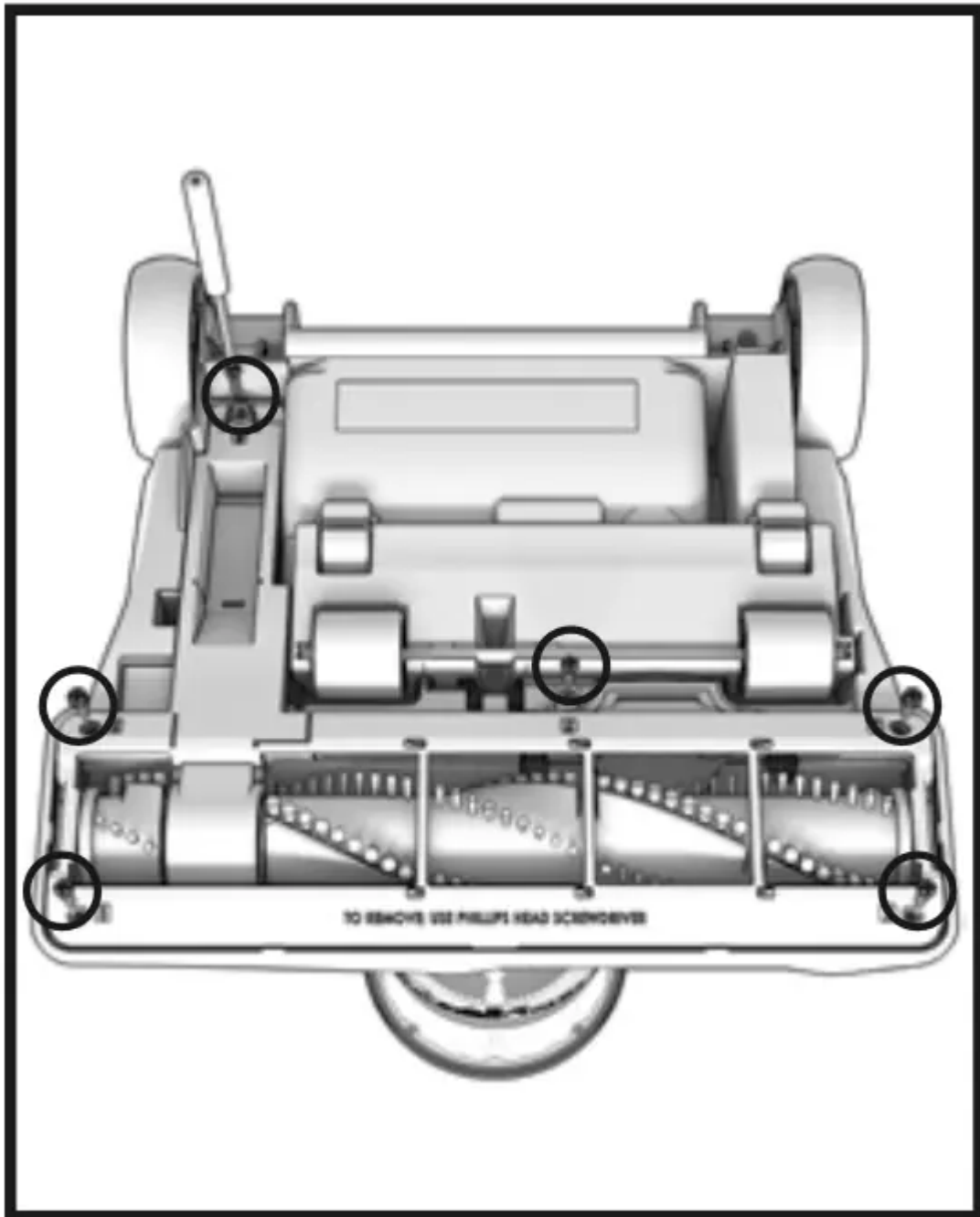
WHEN TO REPLACE

Replace the belt if it is damaged, cut or broken. Refer to the directions below.

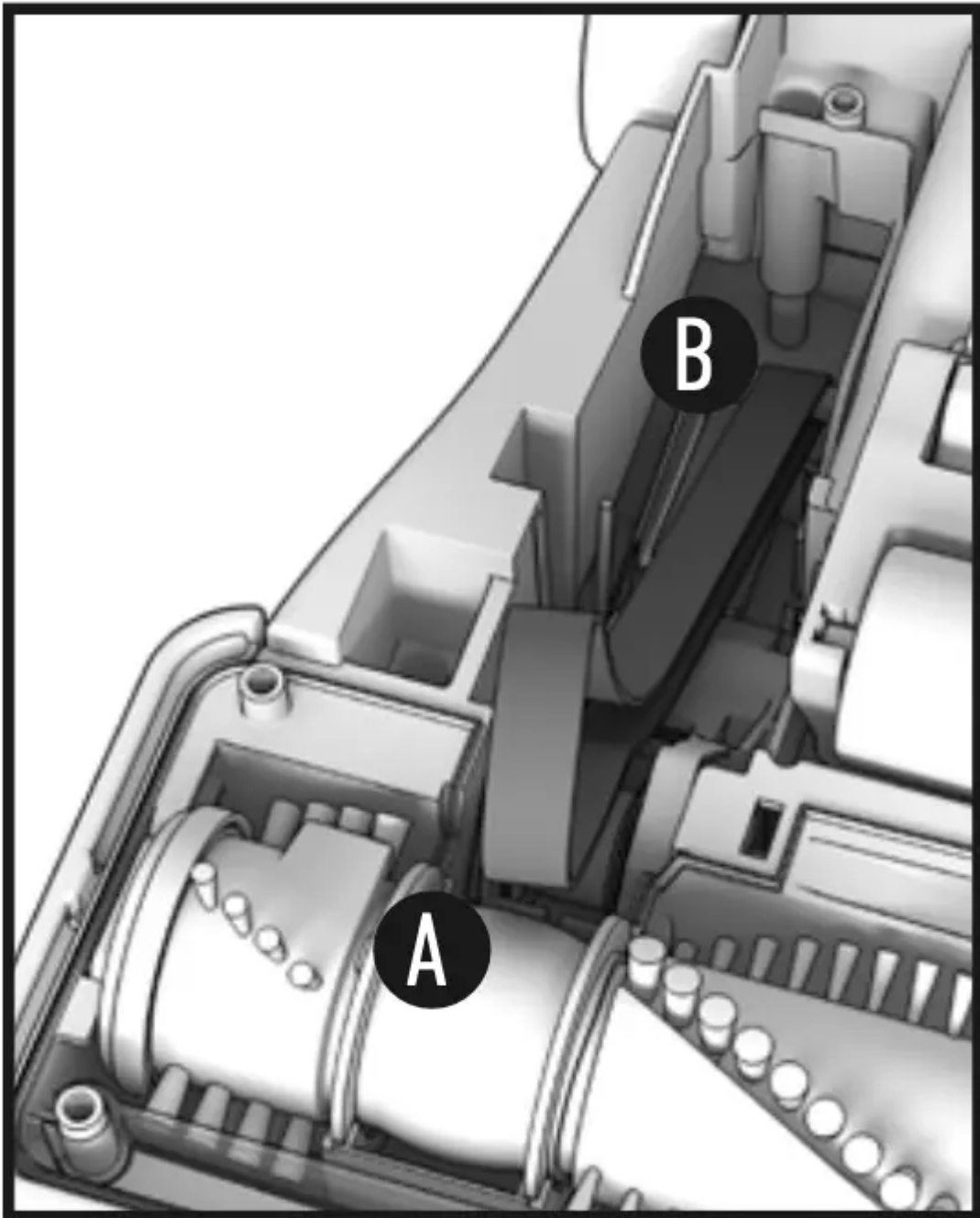
HOW TO REPLACE

Place the handle in the low position and turn the cleaner over so the bottom side is up.

1. Remove the 6 screws as shown with a Phillips screwdriver. Remove the bottom plate.

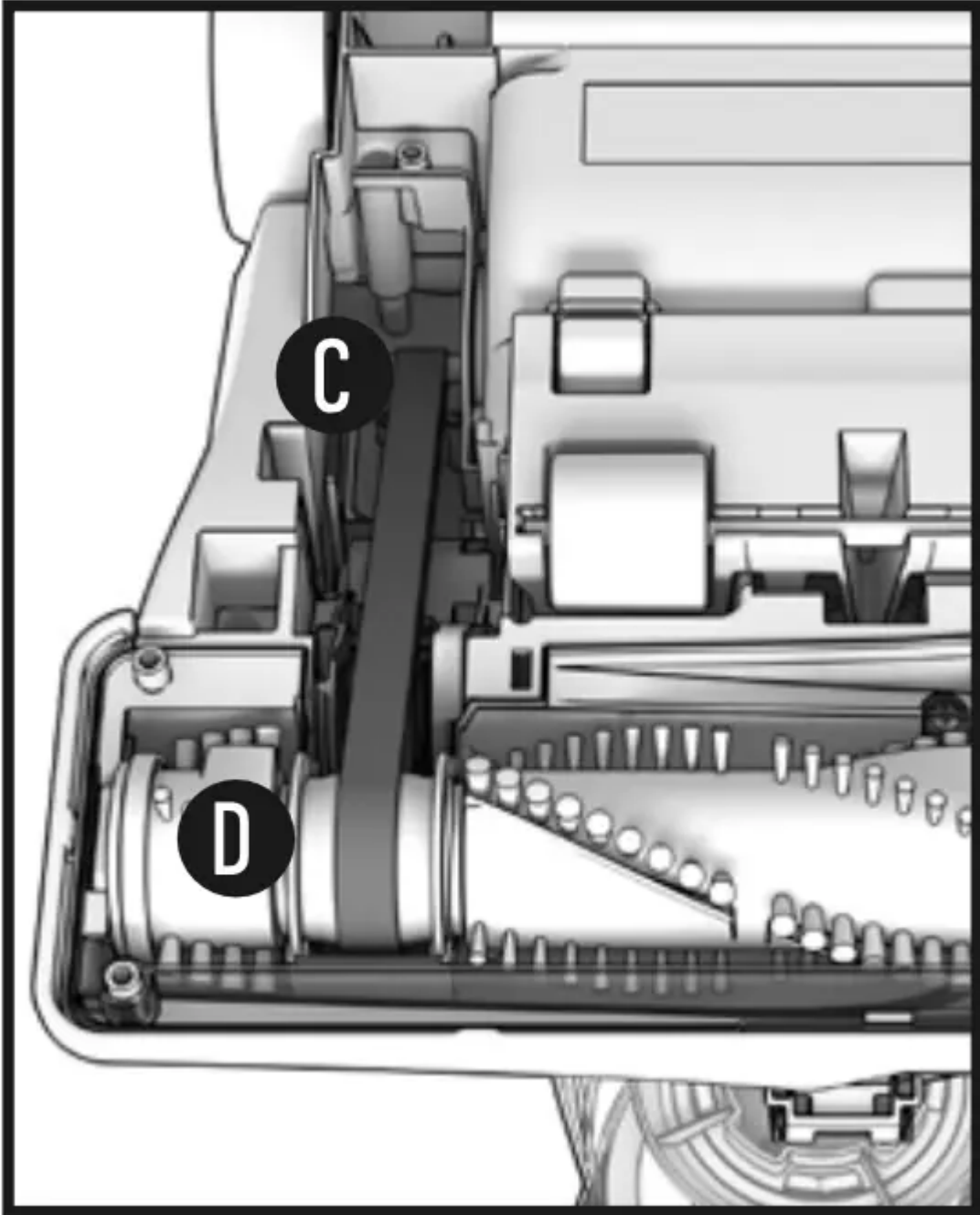


2. Remove the used belt from the brush roll (A) then from the motor shaft (metal rod) (B) and discard.



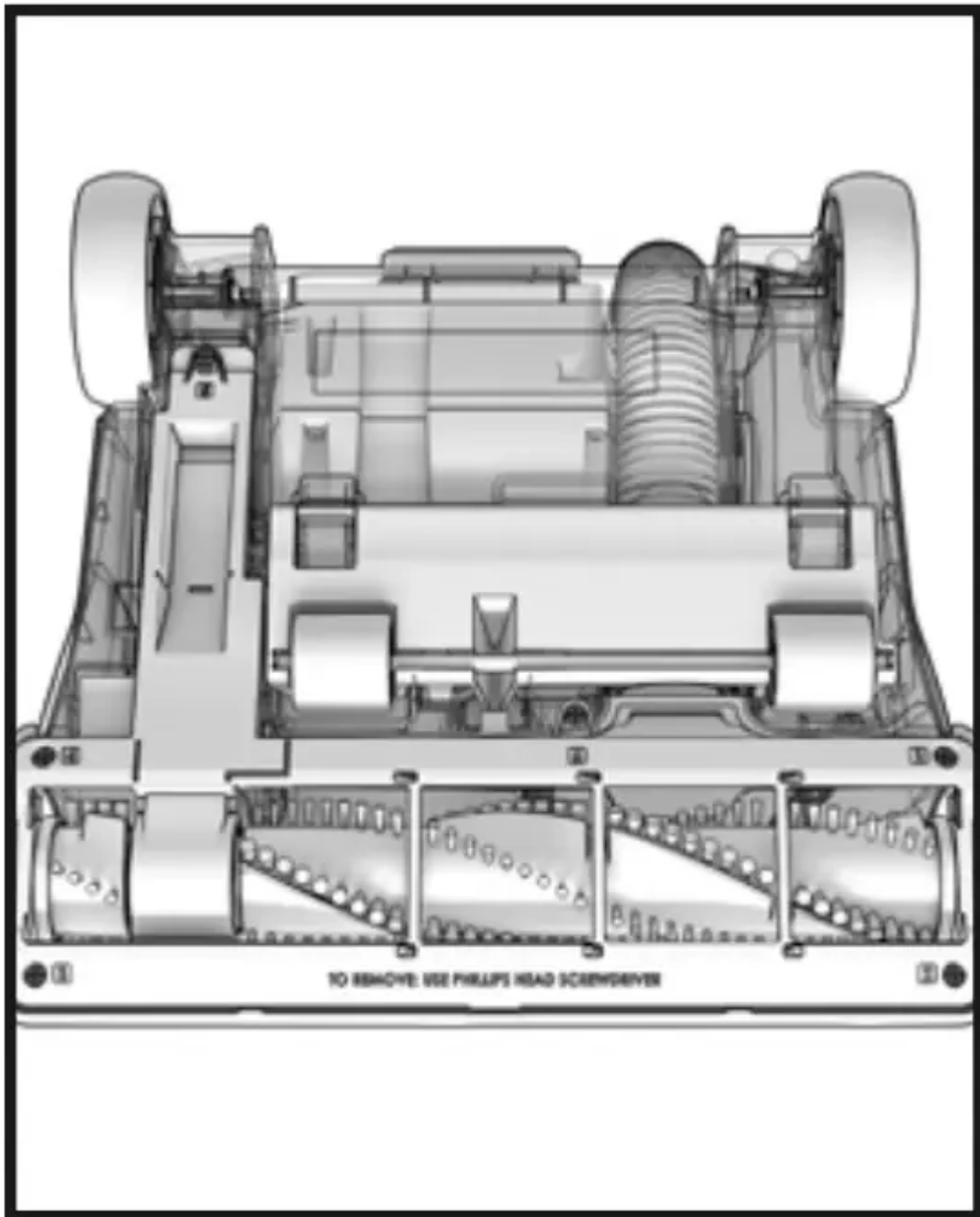
3. Ensure that the letters printed on the belt are facing you, slide the new belt over the motor shaft (metal rod) (C). Then slip it around the area of the brush roll where no

bristles are present (D).



4. With the belt in place, pull the belt and slide the brush roll into the nozzle making sure that the brush roll end caps are in the correct orientation. Place the bottom plate aligning

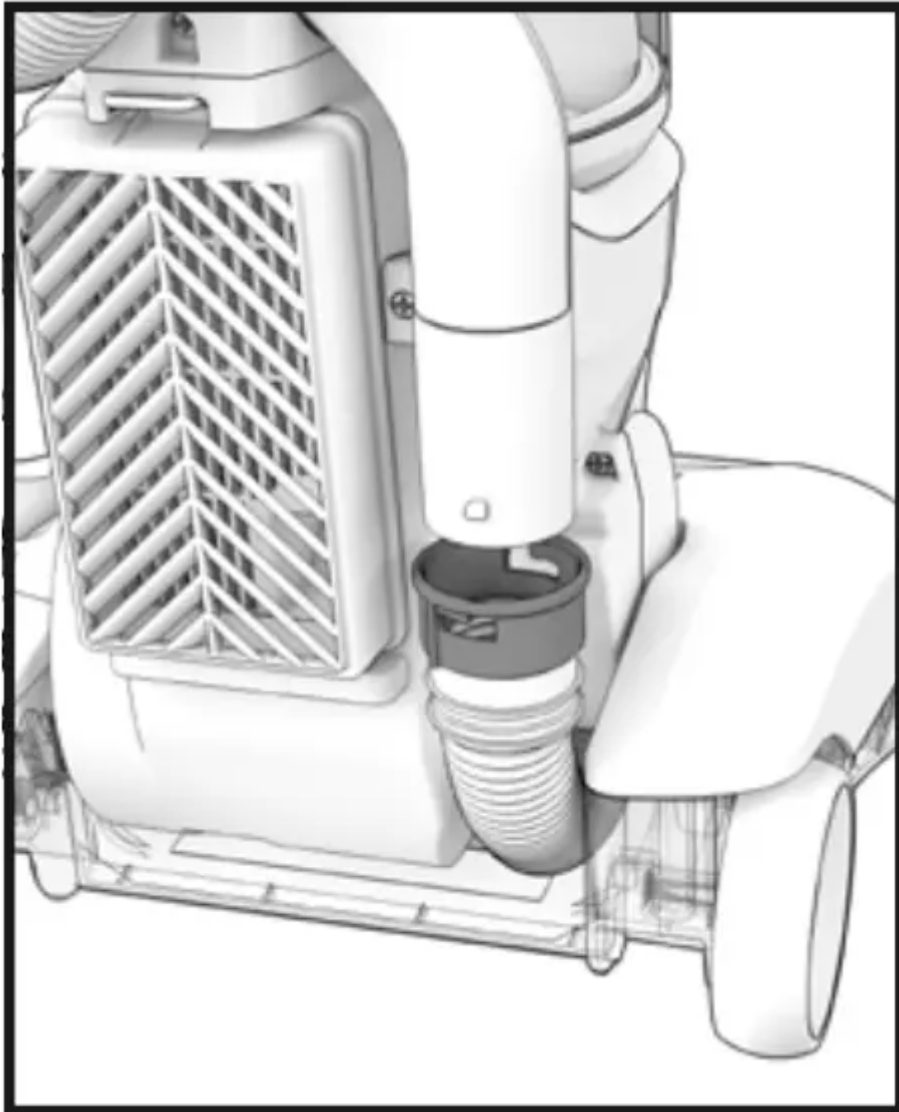
the screw holes and reinstall the 6 screws.



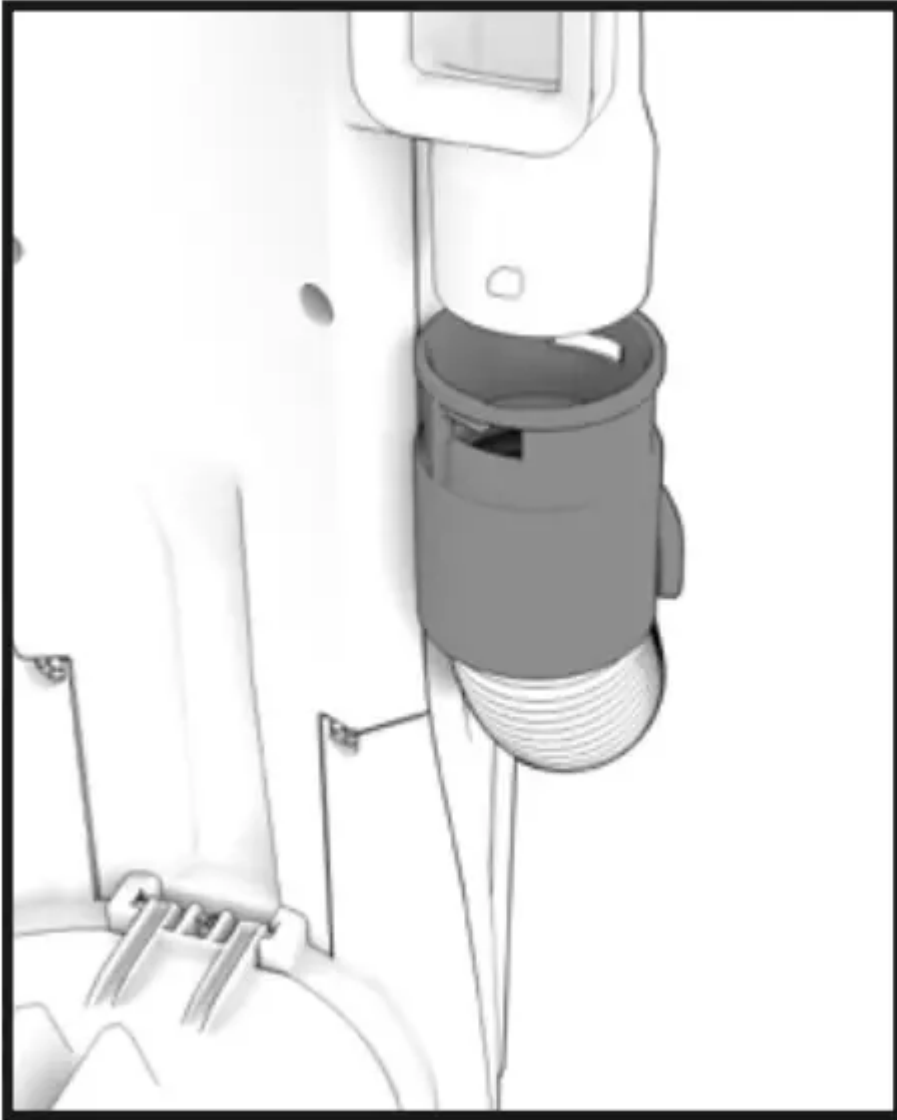
Removing System Clogs

WARNING! To reduce the risk of personal injury, unplug before cleaning or servicing.

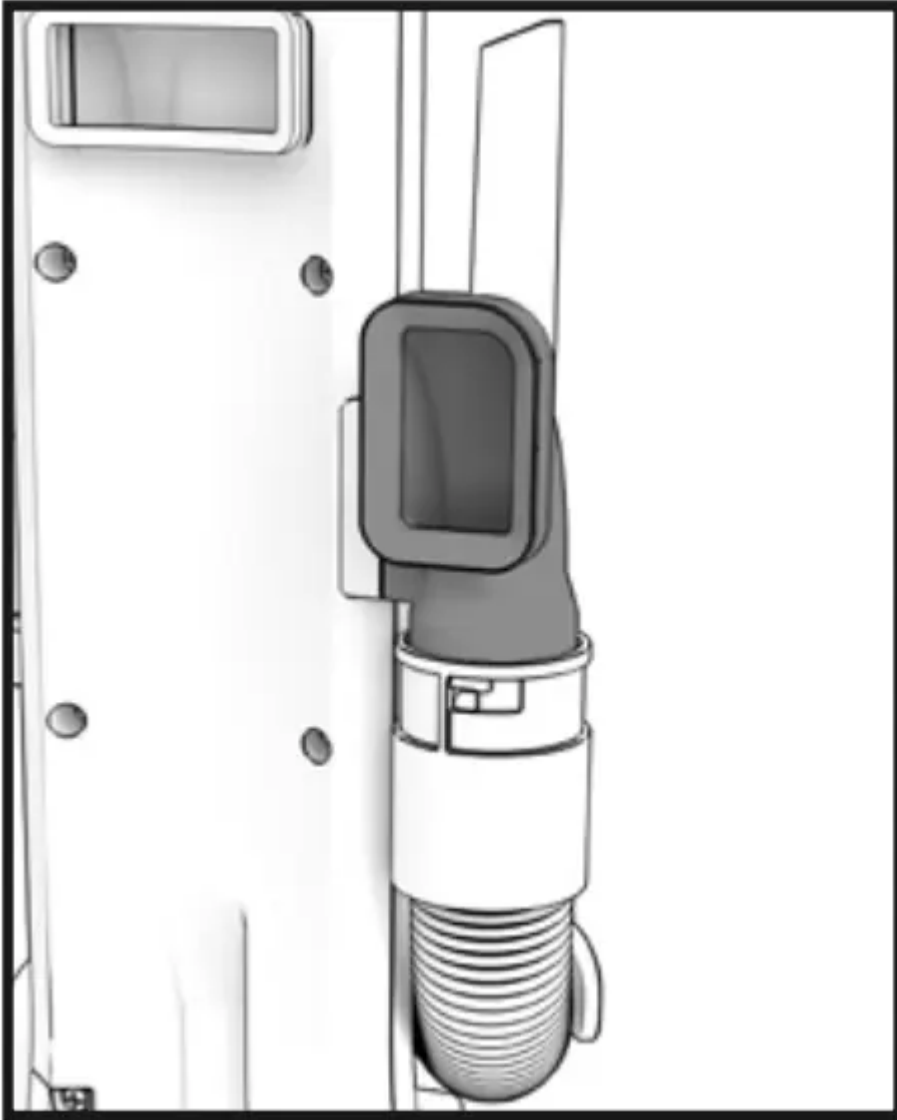
1. Nozzel Inlet



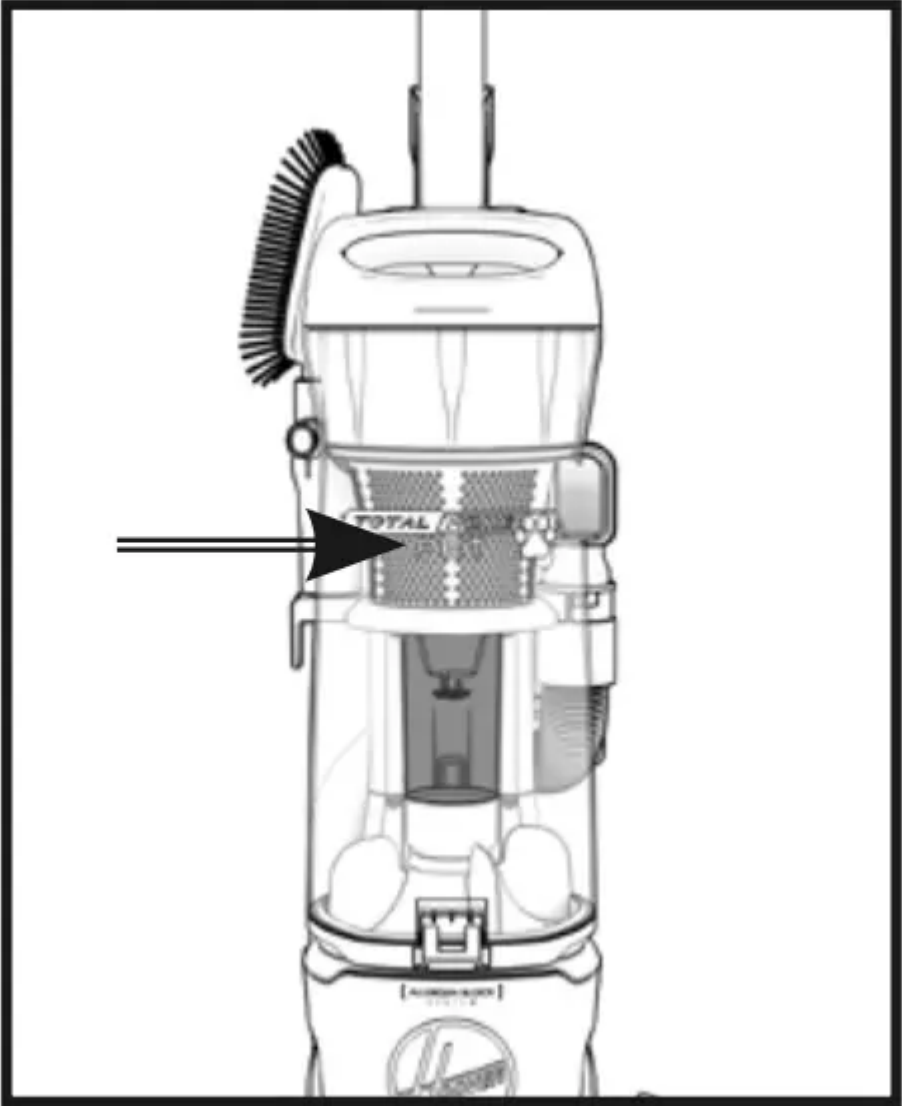
2. Hose Connector



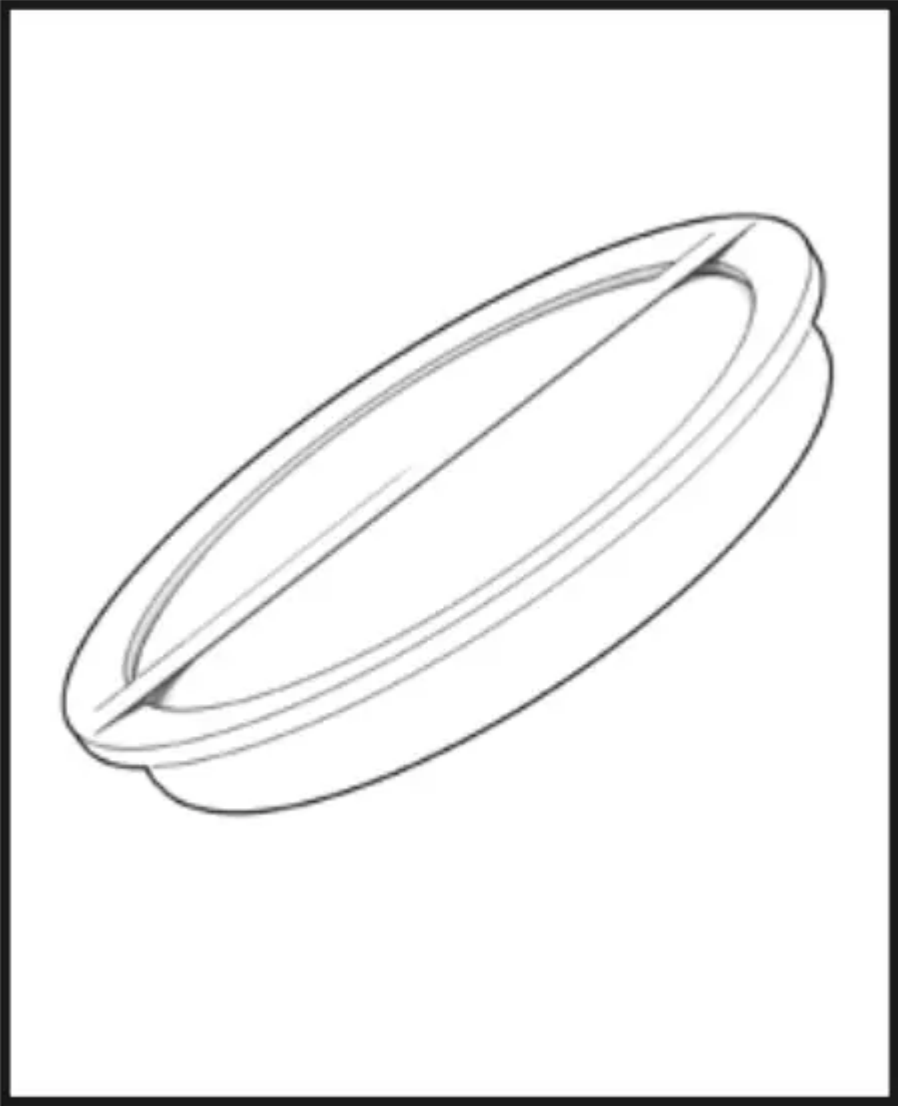
3. Dirt Cup Inlet



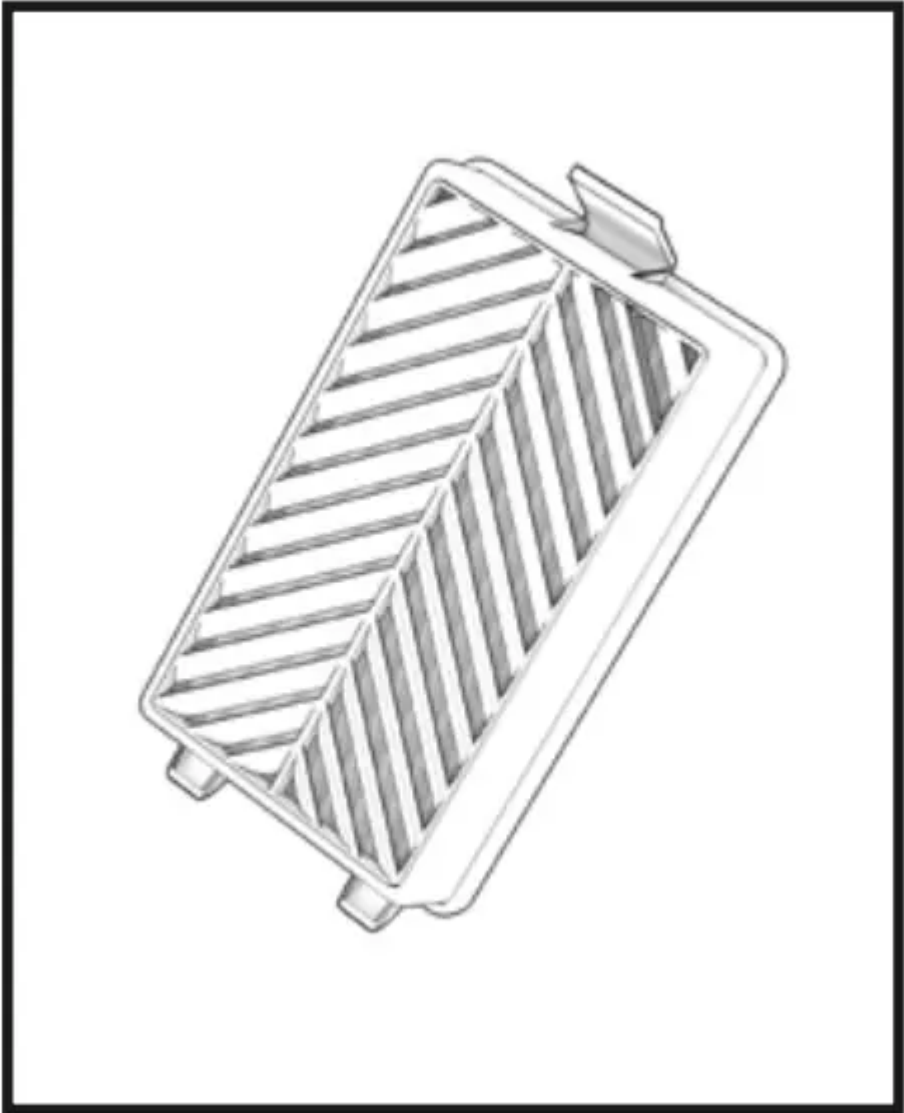
4. Cyclonic Separator



5. Rinsable Filter



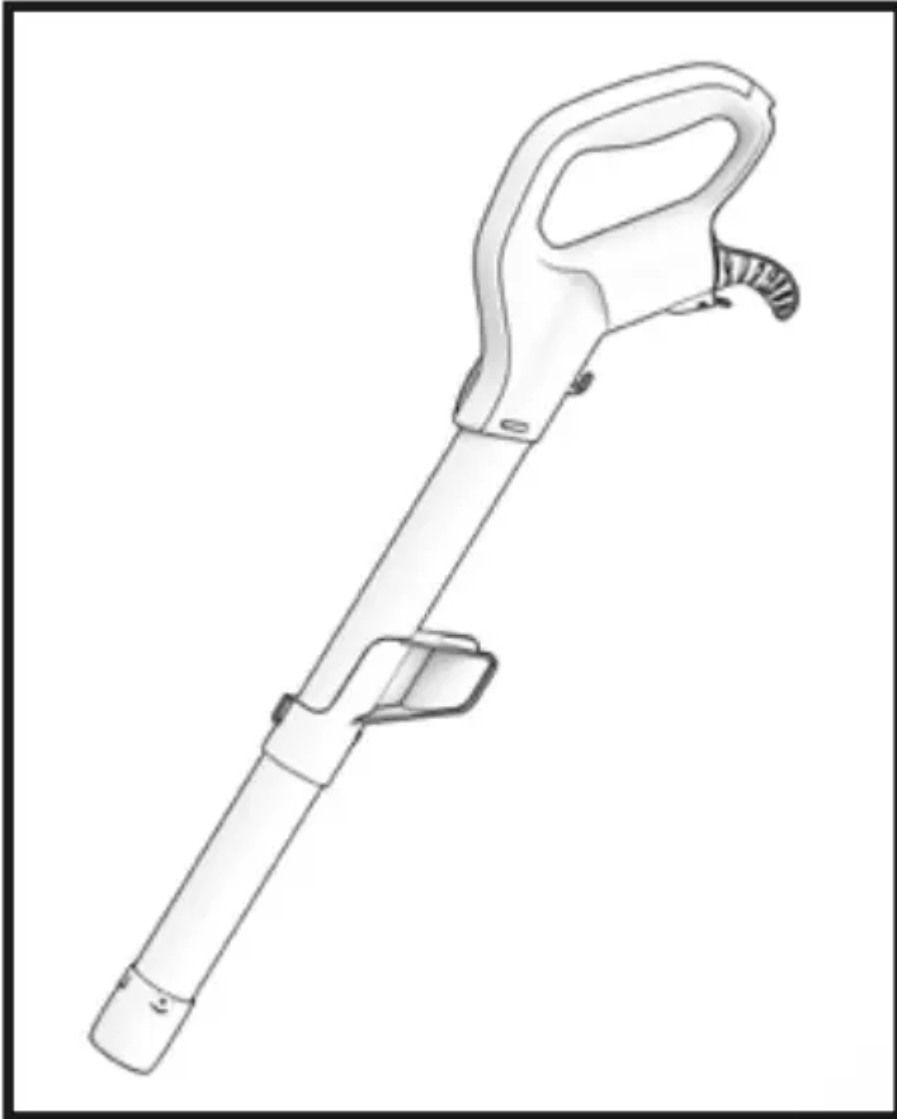
6. HEPA Filter



7. Hose



8. Wand



Troubleshooting

- Any other servicing should be done by an authorized service representative.
- If appliance is not working as it should, has been dropped, damaged, left outdoors, or dropped into water, call customer service at 1-800-844-9200 prior to continuing use.

Problem	Possible Solution
My vacuum will not turn ON	<ol style="list-style-type: none"> 1. Always be sure to plug it in firmly. 2. The Thermal Protector may have been activated - unplug your vacuum and let cool for 30 minutes. If this does not work, there may be no voltage in the wall plug. 3. Check the fuse or breaker in your home. If there is a blown fuse or tripped breaker, replace the fuse in your home or reset the breaker.
My vacuum is hard to push	<ol style="list-style-type: none"> 1. If the vacuum is difficult to push, turn the height adjustment lever to the next higher setting.
My vacuum is losing suction	<p>CAUTION TO REDUCE THE RISK OF PERSONAL INJURY, UNPLUG BEFORE CLEANING OR SERVICING.</p> <ol style="list-style-type: none"> 1. Be sure to empty the dirt cup if it is full. 2. You may have a clogged filter. Refer to the Maintenance in the user manual for directions on removing clogs. 3. Your filter may be dirty. Your filter should be rinsed every 4-6 uses. Refer to the Maintenance section for directions on how to clean your filters. 4. If the problem persists, you may have a clog in the system. Refer to the Maintenance section on how to remove a clog in your system.
My brush roll is not spinning	<p>CAUTION TO REDUCE THE RISK OF INJURY FROM MOVING PARTS, UNPLUG BEFORE CLEANING OR SERVICING.</p> <ol style="list-style-type: none"> 1. Unplug and remove any hair or other blockages around the brush roll. 2. Clean filters. Refer to the Maintenance section for directions on how to clean filters. 3. Check for clogs in the system. Refer to the Maintenance section for directions on how to remove clogs. 4. Replace the belt if it is damaged, cut or broken. Refer to the Belt Replacement section for directions. 5. Resume normal operation.

Warning



This content is compiled from multiple sources and is provided for reference purposes only. It may not be complete or fully applicable to all situations. If you are unable to resolve your issue, please contact the product manufacturer or an authorized service provider for official support.

Document generated by [ManualsFile](#)

