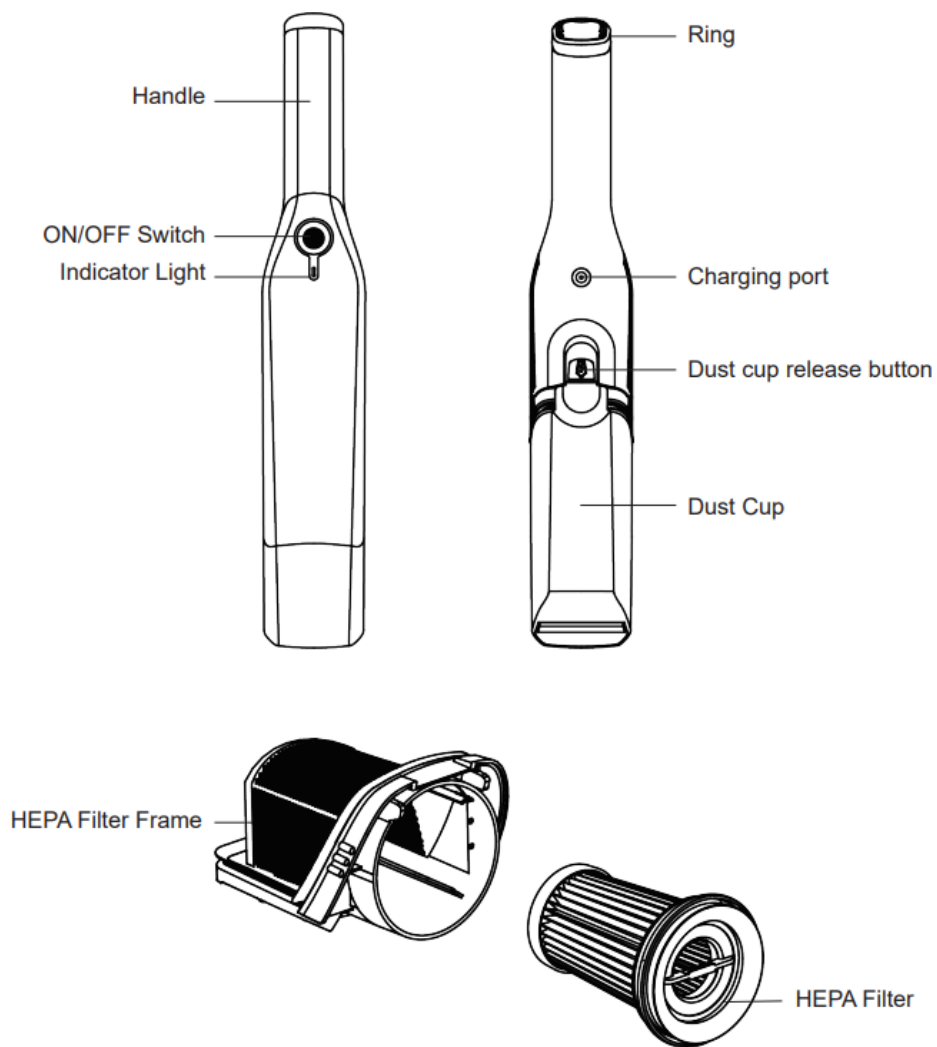
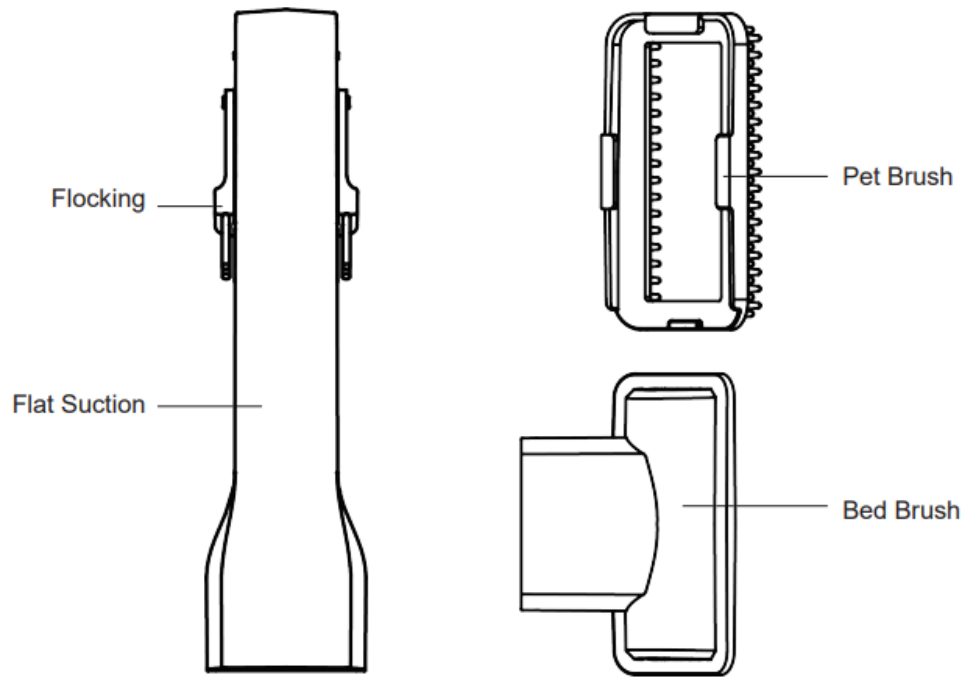
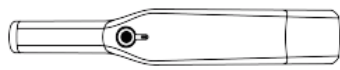


OVERVIEW





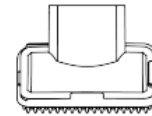
WHAT'S IN THE PACKAGE



Main Body



Two-in-one Brush



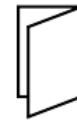
Combination Brush



Base



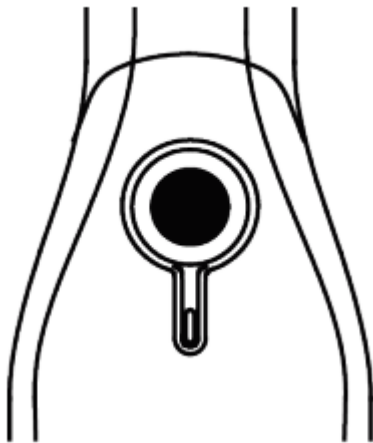
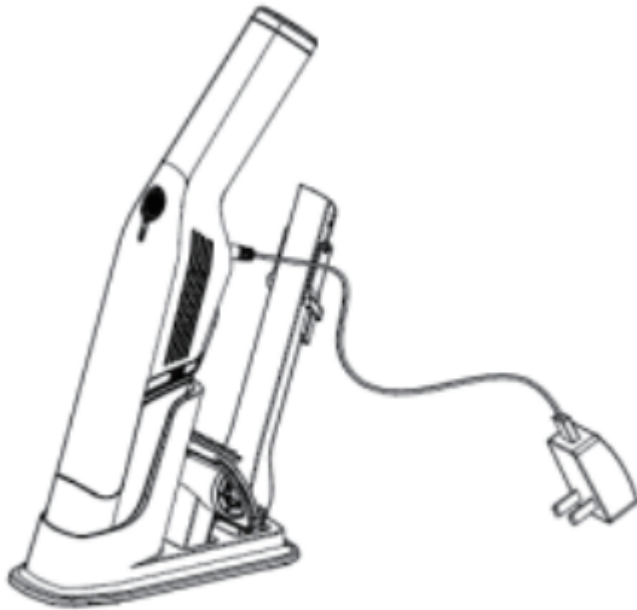
Charging Cable



Instruction Manual

OPERATING INSTRUCTION

Charging



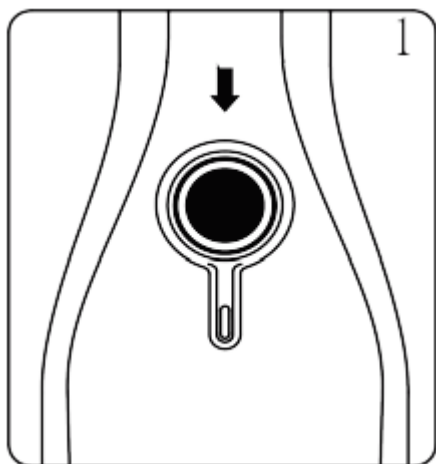
- Operating : White Light
- Power Low: Red Light Flash
- Charging: White Light Flash
- Fully charged : White Light

The battery should be charged fully before the first use

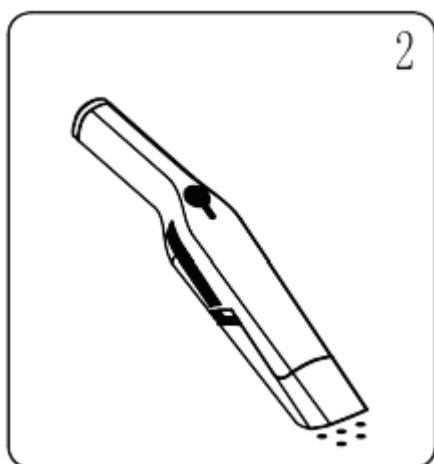
✘ When the battery is fully charged for the first time, it must be fully charged again to activate the battery in the best condition.

Only use the adapter provided by this product to charge the product.

Main body using



- Press the power switch to enter the low mode, press again to enter the high mode, press again to shut down.



- Aim the running main body suction inlet at the spot needs to be cleaned.



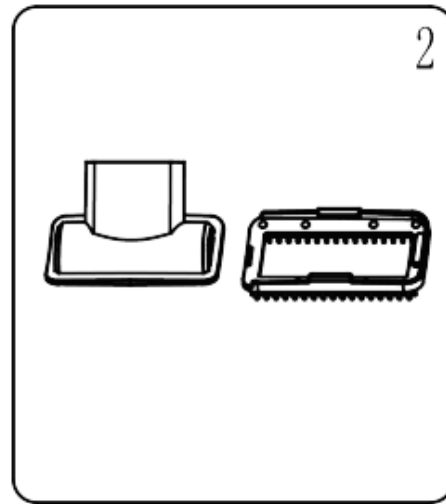
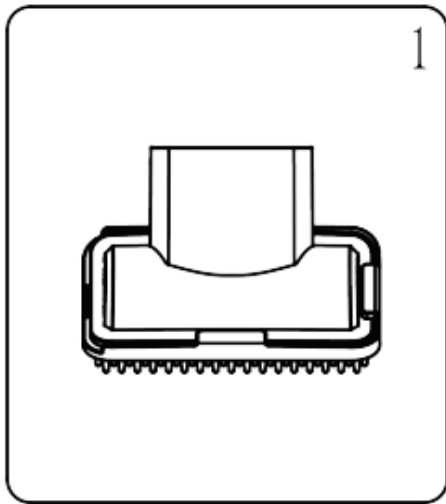
- Push the release button of the dust cup backward to dump the dust into the waste container.

Accessories using



Two-in-one Brush Using

- Rotate the flat suction brush head in the direction of the arrow to switch to the flat suction nozzle state, and then rotate upward to switch to the brush head state. According to the actual use of objects in different conditions (such as the surface of the table, sofa) targeted cleaning treatment.

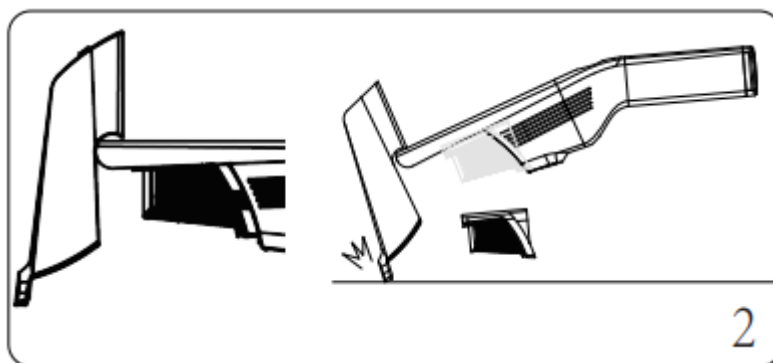


- Combination brush with soft teeth can be used on pets; Take out the soft tooth assembly along the arrow direction can be used in sofa, bedding, bed sheets and other occasions.

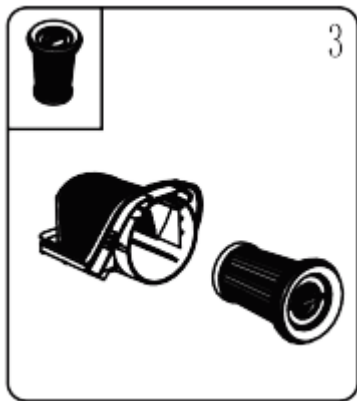
CLEANING AND MAINTENANCE



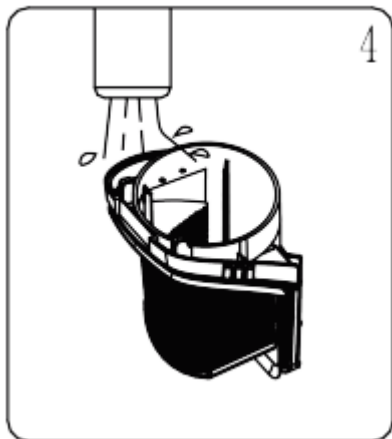
1. When the power is off, aim at the dust container and push the release button of the dust cup backward to empty the dust.



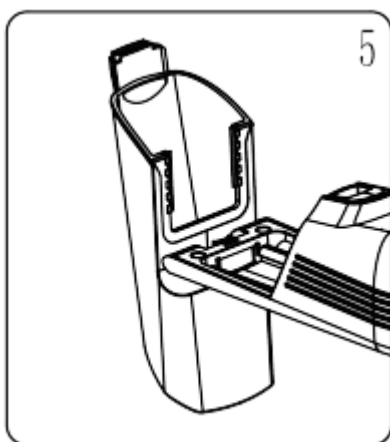
2. Take out the filter assembly diagonally by holding the convex ribs on both sides of the external filter assembly or knock down the filter as figure showed, and tap the metal filter net gently to remove the dust .



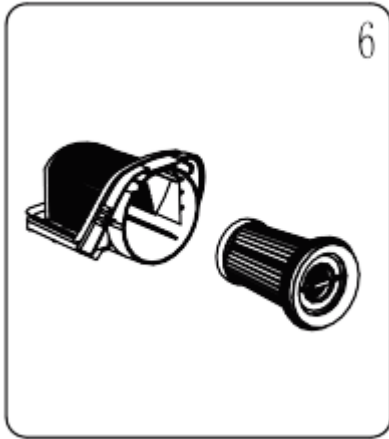
3. Hold the center bar of the HEPA filter and take out the HEPA filter along the arrow.



4. Wash the external filter assembly with clean water or detergent and dry completely



5. Gently wipe the inner wall of the dust cup and soft rubber scraper with a wet towel to remove dust.

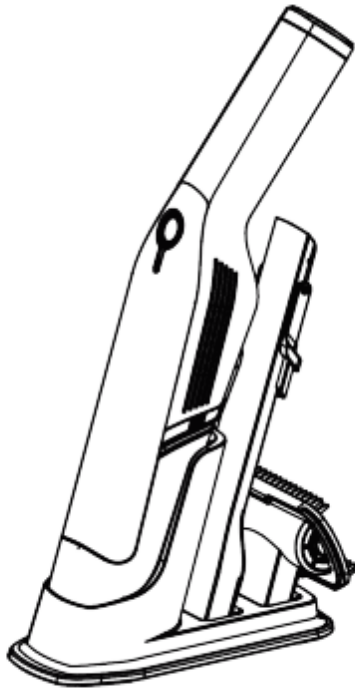


6. Reload the HEPA filter assembly into the external filter assembly and make sure the assembly is in place.



7. Install the filter parts back: insert the filter assembly into the main card slot diagonally, press the location indicated by the arrow and hear the click, indicating that the installation is in place.

Storage



Base storage



Ring storage

SPECIFICATIONS

- Product description: Handheld cordless vacuum cleaner
- Rated Power: 120W (High level)/60W(Low level)
- Rated Voltage: 11.1V
- Noise: ≤ 80 dB
- Suction Power: 14 kpa(High level)/10 kpa (Low Level)
- Run Time: 10Min (High level)/19Min (Low level)
- Adaptor Output: 13.5V 500mA
- Dust Cup Capacity: 0.22L

TROUBLESHOOTING

Problem	Possible reason	Potential solutions
The appliance does not work	<p>Battery runs out;</p> <p>No normal press the power switch;</p> <p>The appliance is charging;</p>	<p>Charging again;</p> <p>Press the power switch;</p> <p>Unplug the USB charging cable;</p>
Unit is abnormal working	<p>Dust container is poor position ;</p> <p>Suction inlet is blocked ;</p> <p>HEPA filter is blocking ;</p>	<p>Check whether the dust container rotates in place;</p> <p>Check the suction inlet and clean it ;</p> <p>Clean the HEPA filter</p>
Poor vacuuming effect	<p>Dust cup is full ;</p> <p>HEPA filter Frame is poor position ;</p> <p>Dust container is damaged</p>	<p>Empty the dust cup ;</p> <p>Check if need to clean the HEPA filter</p> <p>Check if the cleaner needs charging;</p> <p>Reload the HEPA filter frame;</p>
Noise and air leakage	<p>Dust cup is full;</p> <p>Suction inlet is blocked ;</p> <p>The HEPA filter filter is not installed well</p> <p>The filter components are dirty</p>	<p>Empty and clean the dust cup;</p> <p>Check and clean the suction inlet;</p> <p>Install the HEPA filter well</p> <p>Clean the HEPA filter and frame;</p>

IMPORTANT SAFEGUARDS

Before using the product, please read this instruction manual carefully, so as to help you correctly operate the product. In order to avoid the personnel hurt or property loss caused by improper operation, please pay attention to the following events before operation:

1. The product is especially designed for the individual household environment, and can not be used for commercial purpose.
2. After unpacking the product, please carefully check if the product, power adapter(charger) are in good condition. In case of a damage, please do not use the product, and contact the franchiser or customer service to solve it..
3. Please maintain the instruction manual, package and other objects of the product for the future usage, storage and maintenance.
4. Before connecting to the power supply, please check if your local voltage corresponds the voltage range indicated on the power adapter.
5. The power adapter should be placed on a dry surface in charging.
6. When unplug the power adapter, please hold the plug instead of the wire, thus avoiding damaging the power cord. At the same time, please keep the power cord away from the heat source and do not touch the power adapter with wet hands.
7. The product is not a toy. The operation and storage of the vacuum cleaner should be away from children. When children play around, it should be very careful.
8. Please do not use the cleaner to suck any liquid, high-temperature object, refined object(such as the wood dust, land plaster, lime, cement, ash, carbon powder and so on), sharp fragment(glass, clip, nail and so on), dangerous object(such as solution, detergent and so on), chemical object(such as acid object, cleaning agent and so on), flammable and explosive object(gasoline, ethanol and so on).
9. In cleaning the product, please disconnect the power source in the first, and then wipe with dry or humid cloth. Please do not use alcohol, benzene or detergent or other solutions to clean the product surface, so as to avoid damaging the product appearance.
10. The product can't maintain upright when there is no fixed rest. In storage, please fix the machine on the charging base to avoid falling or collision.
11. Do not place the cleaner in water, or place or operate it outdoor.
12. Please confirm that all filtering components have already been correctly installed. It is forbidden to use the product when the filtration device is not installed.
13. Please do not try to remove the battery, place the machine on metal surface or near heat source. Please do not throw the battery into fire.

14. Please do not try to disassemble, maintain the product or power adapter. The maintenance work shall be worked by the manufacturer or its maintenance department or similar professionals. In addition, the original accessories must be used.
15. Before discarding the cleaner, please ensure that it absolutely can not be used. Therefore, before discarding, please disconnect the power supply, take out the battery, and the discarded battery should be safely recycled.
16. The product is not intended for these persons(including children): persons with psychological, physical or emotional sense, lacking experience and knowledge, unless they are supervised or guided by persons who are responsible for their safety in operating the product.

The design of the cleaner is not provided with any professional or industrial application. Any fault caused by industrial or professional operation, improper operation or operation going against the instruction manual, shall not be responsible by the company, and is not within the warranty scope.

Warning

This content is compiled from multiple sources and is provided for reference purposes only. It may not be complete or fully applicable to all situations. If you are unable to resolve your issue, please contact the product manufacturer or an authorized service provider for official support.