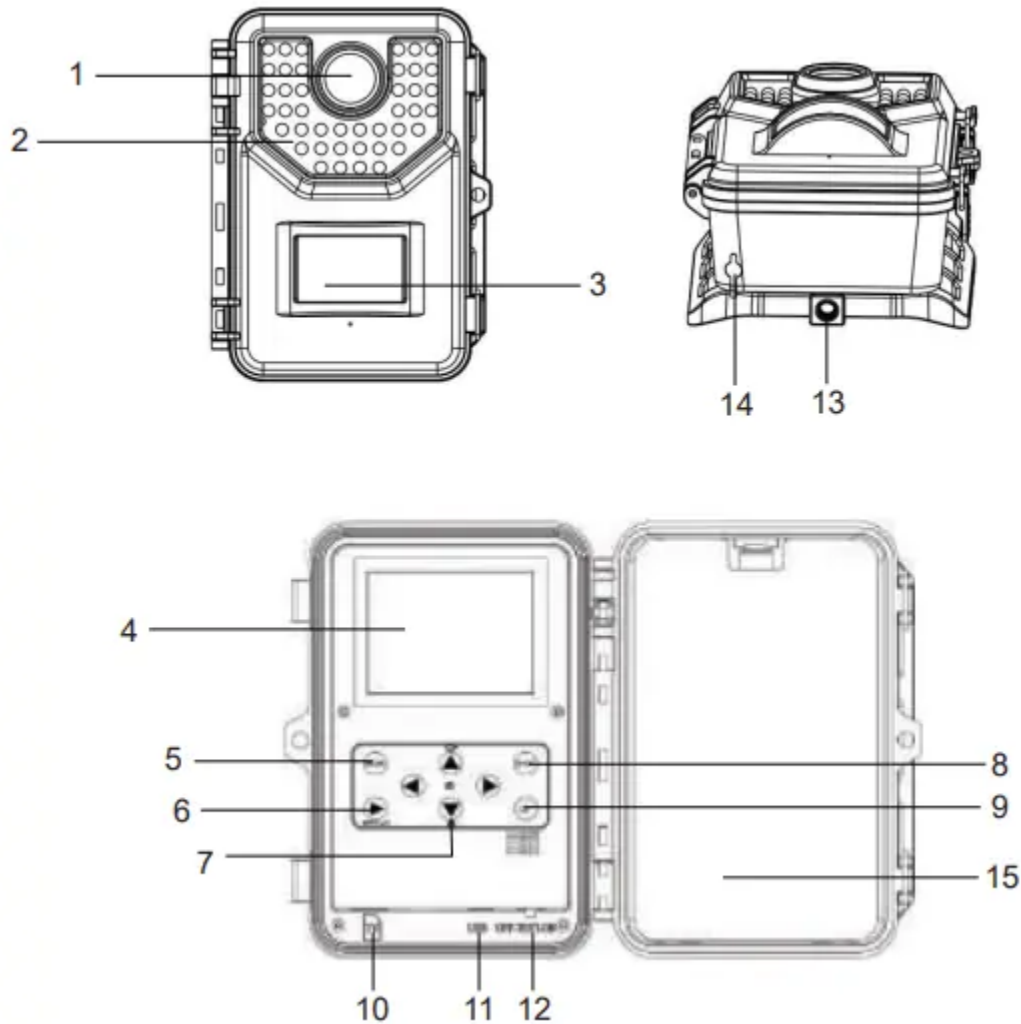


Product Introduction

E2 Trail Camera is an advanced model for daily use. If you are interested in wildlife monitoring or you would like to see who are the secret visitors in your garden, E2 Trail Camera is the perfect choice for you.

1. Structure



- 1.Lens
- 2.Infrared LEDs
- 3.PIR motion sensor
- 4.LCD screen
- 5.Menu button
- 6.Replay button
- 7.Navigation buttons
- 8.Shot button



- 9.OK button
- 10.TF card slot
- 11.USB slot
- 12.Operating mode switch
- 13.Fixation port
- 14.6V 1.5A Power supply port
- 15.Battery slots



Key	Function
MENU	Press to open or close the menu
REPLAY	Press to preview photos and videos on LCD screen
Up	Navigation Up (in Menu mode); View previous photo/video (in Playback mode); Switch to Video (in Setup mode)
Down	Navigation Down (in Menu mode); View next photo/video (in Playback mode); Switch to Photo (in Setup mode)
Left	Navigation Left (in Menu mode)
Right	Navigation Right (in Menu mode)
SHOT	Press to take picture/record video (in Setup mode)

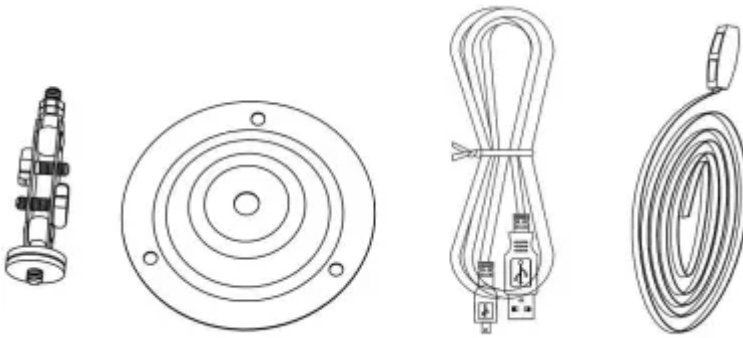
OK	Start/Stop playing video file (Playback mode); Confirm/Enter (in Menu mode)
----	--

2. Components

Micro USB Cable

Fixation Kit

Installation Belt



3. Parameter

Photo Resolution	16MP/12MP/8MP/5MP
Video Resolution	1080P/720P/D1/VGA
Detection Angle	Up to 120 °
Detection Distance	80ft (day), 65ft (night)
Fill Light LED Wavelength	940nm (No Glow)
Fill Light LED Quantity	48 pcs
Trigger Time	0.2s - 0.5s
Waterproof Level	IP66



Working Temperature	- 4°F - 160°F
Memory Card Type	Up to 32G TF Card (Class 10)
Power Supply Type	Battery/External
Battery Type	AA Battery
Working Voltage	6V
External Power Supply	DC 6V
Standby Time	Up to 6 Months
Photo Format	JPEG

4. Function



Mode	You could choose the working mode of E2	Photos (default) Videos Photos & Videos
Photo Resolution	You can choose different photo resolution	16MP
		12MP
		8MP
		5MP (default)



Photo Series	You can set the photo quantity when the camera is activated	1 photo (default) 2 photos in series 3 photos in series
Video Resolution	You can choose different video resolution	1920*1080P 1280*720P (default) 720*480P 640*480P
TL Video(1) Resolution	You can choose the resolution of time lapse video	2592*1944P 2048*1536P (default)
Video Length	You can adjust the video length	10 seconds (default) 3 seconds min. 10 minutes max.
Audio Recording	You can decide if you want the camera to record sounds	On (default) Off

Shot Lag	The time interval between each trigger (2)	30 seconds (default) 2 seconds min. 60 minutes max.
IR Distance	You can choose the IR distance. Further you choose, further the camera could detect, but the battery runs faster	Near Middle (default) Far
Sensitivity Motion Sensors	You can adjust the sensitivity of the motion detection sensor.	Low Middle (default) High
Target Recording Time(3)	You can set the camera to record between a certain period	On (to set the period) Off (default)
Time Lapse(4)	Set up time lapse mode and the length of the lapse.	Normal TL video Off (default)



Language	To set different language	<p>English (default), Deutsch, Dansk, Suomi, Svenska, Español, Français, Italiano, Nederlands, Português, 简体中文, 繁體中文, 日本語</p>
Endless Capture	<p>If Endless Capture mode is on, the camera won't stop recording when the memory card is full but will delete the oldest videos or photos to keep recording continuously</p>	<p>On Off (default)</p>



Time & Date	To set time and date. You can also choose the time format (24h or 12h) and choose the date format (dd/mm/yyyy, yyyy/mm/dd or mm/dd/yyyy)	Set Time & Date Time Format Date Format
Photo Stamp	To choose if there will be time and date on the photo.	Time & Date (default) Date Off
Password Protection	Set up password to secure your camera	On Off (default)
Beep Sound	Turn on or turn off the operation sound	On (default) Off
Format Memory Card	Decision with caution! You will lose all of the data in the memory card if you decide to format it	Yes No (default)
Serial NO	To set up the serial number of the camera(5)	On Off (default)
Reset Settings	Reset all the settings to the original settings	Yes No (default)
Version	Version of the system	30350.86 (default)

(1) TL Video: Time lapse video. Camera will first of all, take photos between certain period (set up in “Target Recording Time” and “Time Lapse”), then the camera will generate a video with these photos. This function usually used to record flower bloom.

(2) For example, we set the 1 minute video length and 30 seconds shot lag. When the camera detect an animal, it will start to record a 1-minute video. However, the camera will not detect continuously. When the video is done, the camera will not detect immediately. It will detect again 30 seconds after the video in order to save the battery.

(3) In order to use the “Target Recording Time” function, please make sure that you have already turn off the “Time Lapse” function and set up the length of the lapse between each photo.

(4) If you turn on the “Time Lapse” and turn off the “Target Recording Time”, the camera will take photos until the memory card is full.

(5) If you use several cameras at the same time and you want to recognize which camera took which photos and videos, set up a serial number could help you. The serial number will show on the bottom right of the photos or videos.

Operation

1. Getting Started

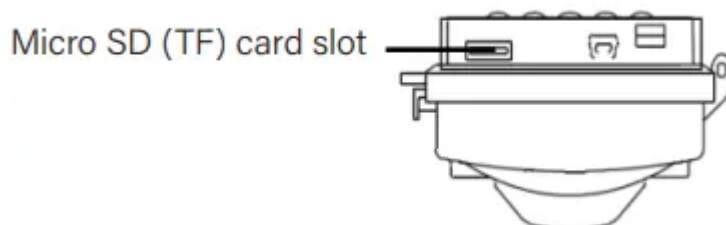
As the Trail Camera doesn't have built-in memory, a Micro SD memory card must be inserted into the camera before using.

1.1. Open the camera by unlocking two side locks.

1.2. Open the battery compartment.

1.3. Place 4 or 8 AA 1.5V type alkaline batteries into slots. NOTE: Must be alkaline. If you have only 4 AA alkaline batteries, and make sure to place them all in the upper or lower half of the battery compartment.

1.4. Insert Micro SD memory card.



Please note:

• TF high-speed card (Micro SD memory card) of Class 10 is required for this camera.

• This camera is compatible for using Micro SD (TF) cards with a capacity up to 32GB.

• Please format your Micro SD (TF) card before the first use.

• Camera must be turned off before inserting or taking out the memory card.

• Do not take out Micro SD (TF) card or disconnect the camera from USB port while formatting the card or transferring data to your computer, otherwise recorded data and memory card may become damaged.

2. Operating

As soon as you have inserted the batteries and a Micro SD card, the camera is ready for work! All you need to do is to choose a position for it and turn it on by setting the operating mode switch to ON.



The camera has the following default settings:

• Mode: Photo

• Photo resolution: 5MP

• Photo series: 1 photo

• Video resolution: 1280x720P

• Video length: 10 seconds

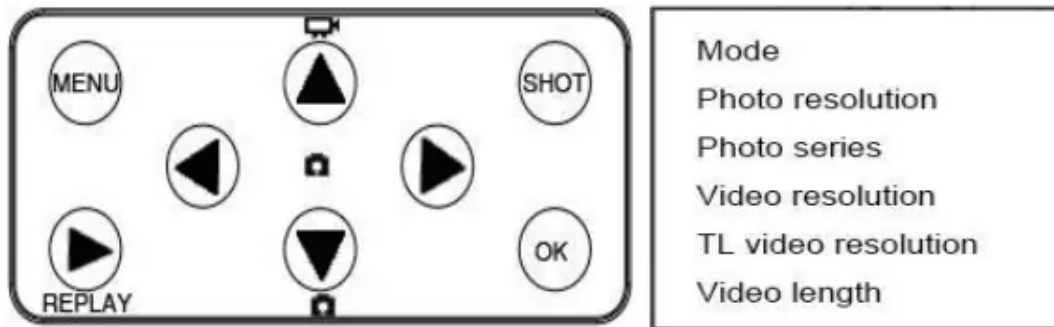
• Audio recording: On

• Shot lag: 30 seconds

• Motion sensor sensitivity: Middle

• Target recording time: Off

• Time lapse: Off



With the default settings, the camera will first take 1 photos when its motion sensor detects a moving object. Please note that If you want sharper image quality, you can turn up the resolution, however photo and video files created with these settings will take more space on memory card.

For instance, 4GB Micro SD (TF) card can store about 140 photos plus 70 videos (10 sec each) with the default settings. Therefore if you are using a small capacity Micro SD (TF) card, or considering to set your camera for a longer period of time, you might want to reduce photo and/or video resolution in the Settings.

2.1. Positioning the Camera

In TEST mode you can work out the best exposure angle and range of the motion sensor. First put the operating mode switch to TEST, then align the camera as follows:

Fasten the camera to a tree or any other suitable object using the included strap and align the camera in the desired direction. Then move slowly from one side of the target area to another. While doing this, watch the indicator located between IR LEDs.

If the red indicator lights up, you have been detected by the motion sensor. This way you can find the best position for the camera. The detecting range of the sensor is 120°.

NOTE: Setting the camera too close to tree branches can result in many “empty” photos as the motion sensor will detect movements of tree branches and leaves. You can also adjust the sensor sensitivity to the lower level to avoid irrelevant triggering.

2.2. Turning on the Camera

To turn on the camera, set the operating mode switch to ON. You will see a blinking blue indicator on the front panel. After 15 seconds the camera will start to operate independently and will go into standby mode. As soon as any object enters the detecting range of the motion sensor, the camera will be activated and will start capturing photos and/or videos (depending on the selected setup).

When the object moves out of the detecting range of the motion sensor, the camera will go back into standby mode.

In the nighttime, infrared LEDs will provide the required light for capturing photos/videos. The effective range of the IR LEDs is 10- 65ft. Pictures and videos taken at night are black and white.

NOTE: During the night, camera will use more energy for IR LEDs. Therefore, if the battery is low (Less than 1/2), the camera will not take photos or shoot videos at night, while in the daytime, the camera will work normally even with a low battery.

3.Playback

You can quickly preview recorded photos and videos on LCD screen. Open the camera by unlocking two side locks and set the operating mode switch to the TEST position. Press REPLAY key and Up/Down navigation keys to review the photos/videos. To play videos, press OK key to start playing and press OK again to stop. Press REPLAY key to return back to standby

3.1.Delete Selected Files

You can use this function to delete photos/video recordings from the memory card. Find the file you want to delete in REPLAY mode, then press MENU key, select "Delete current file" and press OK to delete the selected recording

3.2.Delete All Files

You can delete all recordings from the memory card by pressing MENU key when in REPLAY mode, then select "Delete all files" and press OK.

3.3.Activate Slide Show

For an automatic review of the photos and videos stored on the memory card, press MENU in REPLAY mode, and select "Activate Slide Show". Each photo/video will be displayed for about 2 seconds. To stop the slide show and keep the current image on the screen, press the OK button.

3.4.Write Protection

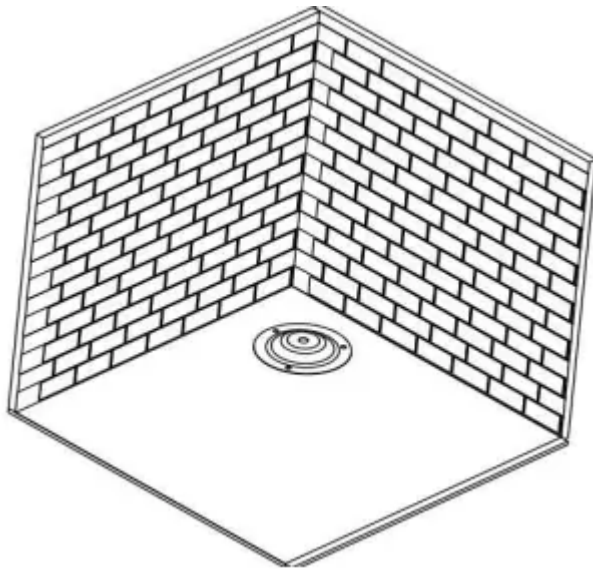
This function can be used to protect individual files from accidental deletion. When in REPLAY mode, press MENU and select "Write protect," then choose "Write-protect current file" to protect the selected photo/video. Select "Write-protect all files" to protect all recordings from accidental deletion. Select "Unlock current file" to remove write protection for the selected recording.

Select "Unlock all files" to remove write protection for all saved recordings.

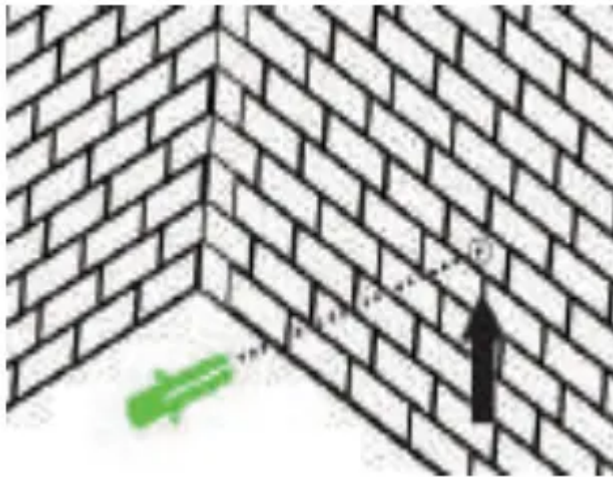
Installation

If you want to put the camera on the wall, the Fixation Kit is ready for you :

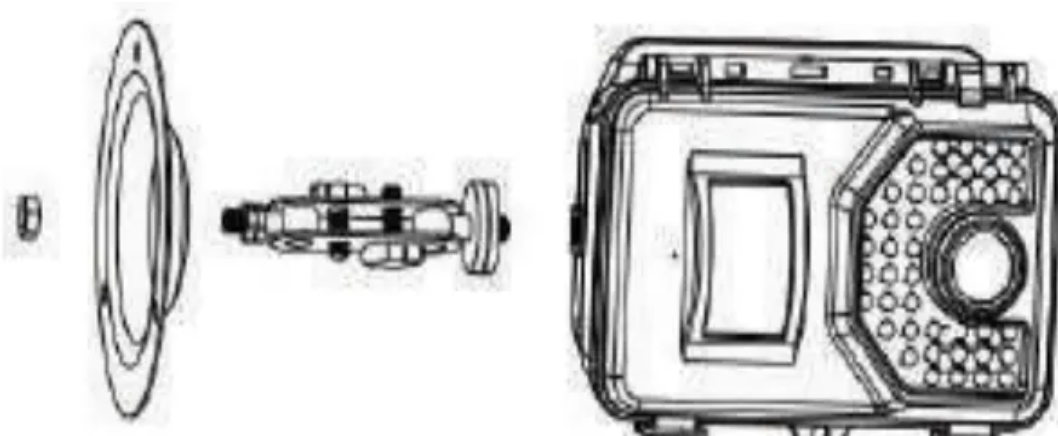
1. Mark the installation position with the help of the metal plate and make holes in the wall;



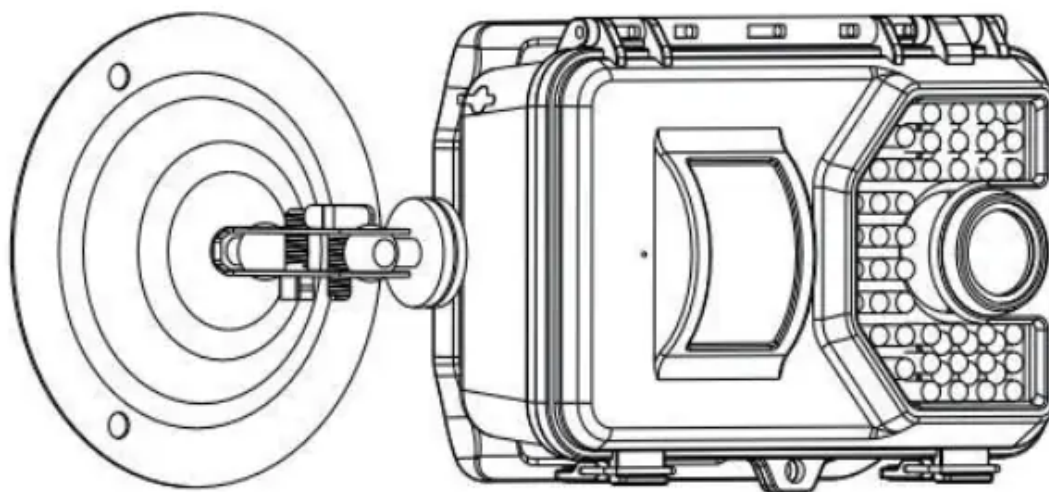
2. Put the green components in the holes;



3. Fix the Fixation Kit by following the picture;

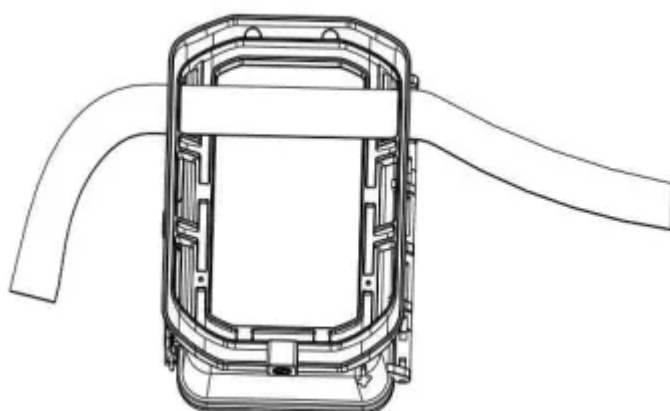


4. Put the camera at the position you have chosen and fix the camera with screws;

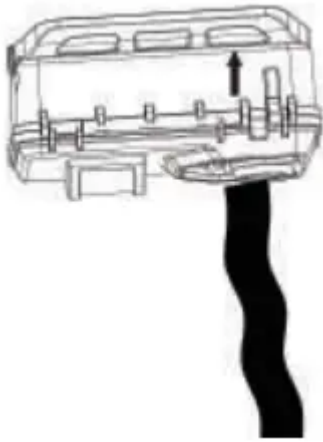


If you want to Install the camera on a tree, you could simply use the Installation Belt :

1. Pass the Installation Belt through the support on the back of the camera. If the Belt is too long for the tree which you choose, there are 3 holes on each side the support, you could pass the Installation Belt through several holes to shorten the belt;



2. Put the camera on the bottom of the tree;
3. Go to the other side of the tree, pass the belt through the buckles by following the picture;



4. Adjust the position of the camera then tighten the belt;
5. If you are afraid that the camera would fall, you could also use the Fixation Kit and the Installation Belt together to make sure that the camera is sturdily fixed on the right position.

QA

I can't turn on my camera!

- Please check if the batteries are full power;
- Please check if battery polarity is correct;
- Please re-install the batteries.

My camera is not taking photos or recording videos!

- Check if the TF card is Class 10;
- Check if the TF card works normally on other devices;
- Format the TF card.

The camera doesn't detect anything!

- Please make sure that the camera is not behind the glass;
- Please check the setting in the menu to adjust the detection distance and the detection sensitivity of the camera then try again.

Why the camera doesn't record during the night but it works well during day time!

- Please check the battery level of the camera. If the battery is low (1/3 of the full battery), the night vision function will automatically shut down. Please change the batteries then the night vision function will restore.

My "Target Recording Time" function doesn't work!

- Please check if you have also turned on the "Time Lapse" function and have chosen the time lapse mode then set up the lapse length.

Warning

This content is compiled from multiple sources and is provided for reference purposes only. It may not be complete or fully applicable to all situations. If you are unable to resolve your issue, please contact the product manufacturer or an authorized service provider for official support.

Document generated by [ManualsFile](#)