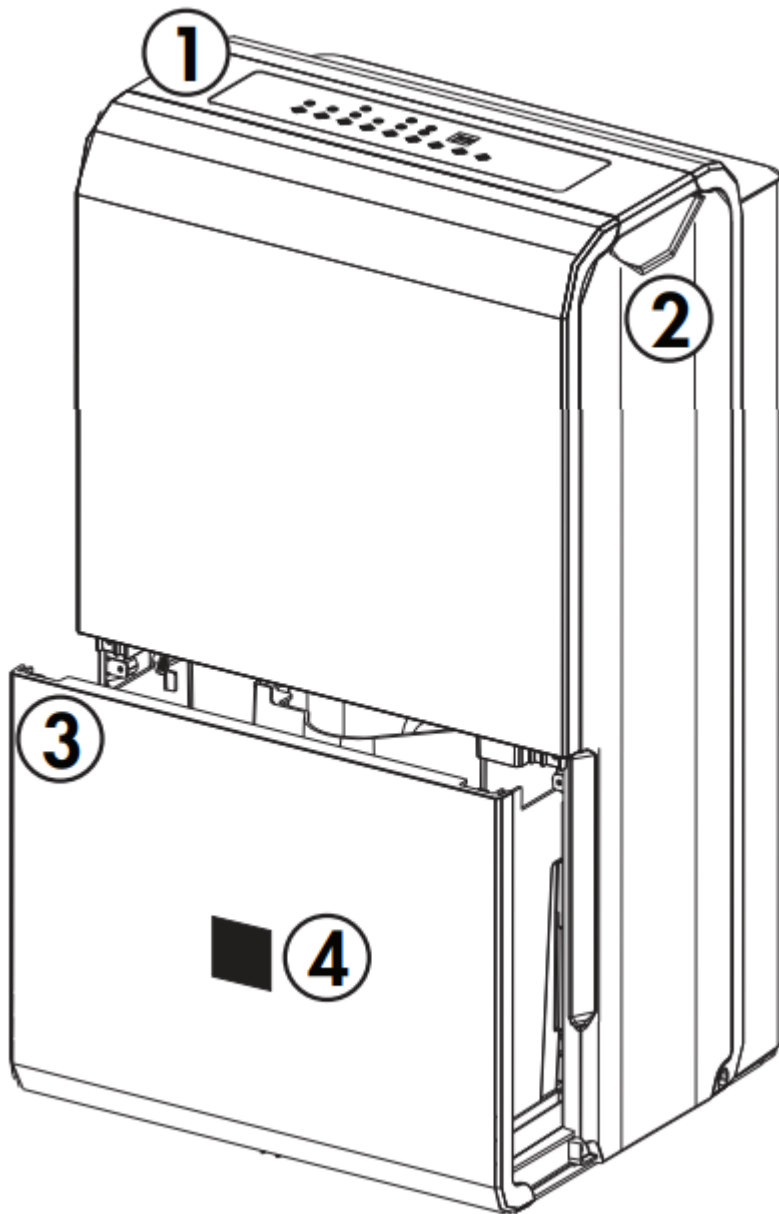


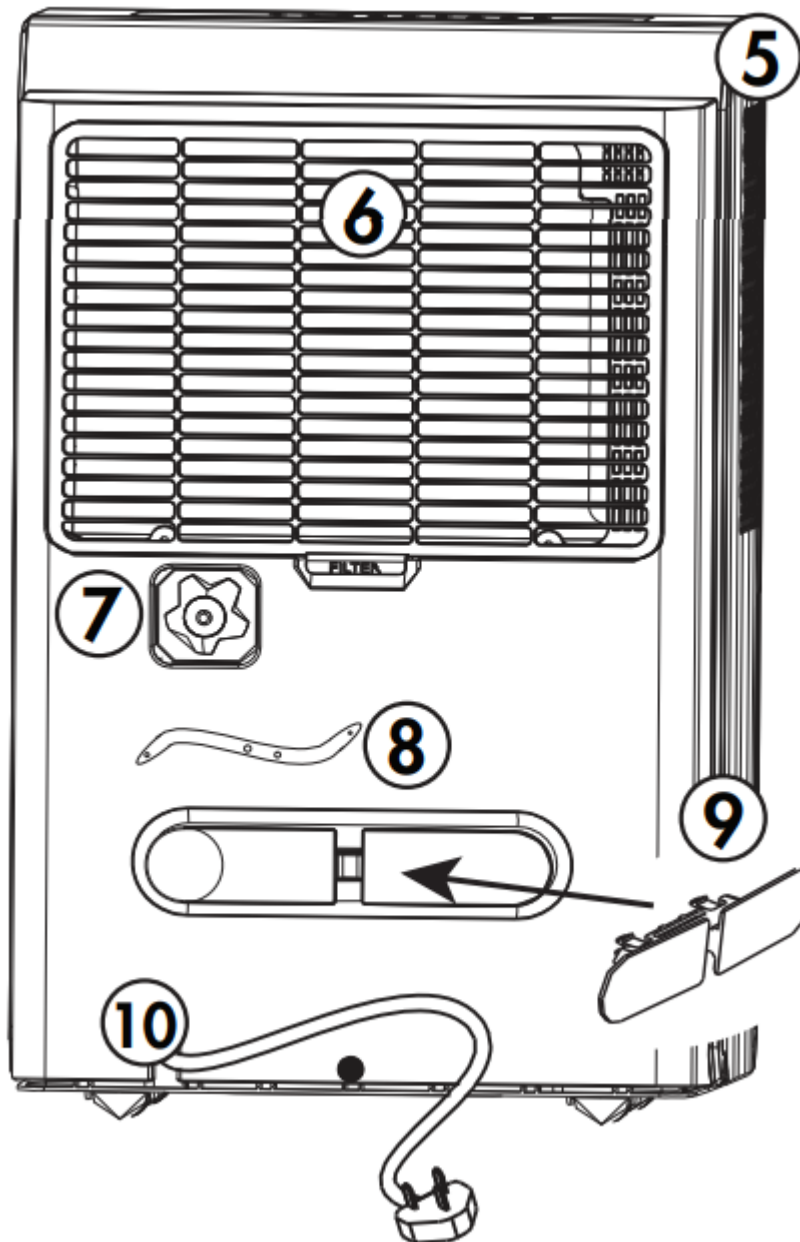
## User Manual Dehumidifier

# OPERATING INSTRUCTIONS

### FEATURES

1. Control panel
2. Handles (both sides)
3. Water bucket
4. Water level indicator
5. Air outlet
6. Air filter
7. Continuous drain outlet
8. Power cord storage strap
9. Power cord storage band
10. Power cord

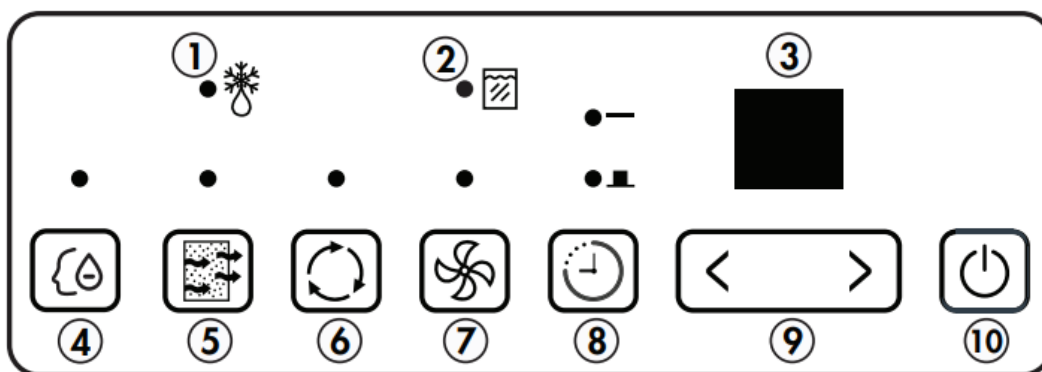




## CONTROL PANEL

1. **Auto defrost light:** The light will illuminate when frost builds up on the evaporator coils. The compressor will cycle off and the fan will continue to run until the frost melts.
2. **Bucket full light:** The light will illuminate when the bucket is full or incorrectly positioned inside the cabinet. The compressor and fan operation will stop as a safety feature. When the bucket is emptied or correctly re-positioned the dehumidifier will resume operation automatically.
3. **Display:** Shows the actual ( $\pm 5\%$  accuracy) room humidity level in a range of 30% to 90%. Otherwise, displays selection when programming humidity or timer.

4. **Smart dehumidify:** This function will automatically adjust the humidity level with the fluctuating room temperatures. The humidity level cannot be adjusted in this setting, it will stabilize between 45% - 55%. Press the humidity adjust buttons to cancel this feature.
5. **Filter button:** The check filter light will illuminate after 250 hours of operation. After cleaning the filter, press the filter button to turn off the light.
6. **Continuous button:** Press to activate the continuous dehumidifying operation.
7. **Fan button:** Press to select normal or high fan speed. The light will illuminate when set to high fan speed.
8. **Timer button:** Press to set the timer.
9. **Humidity adjust buttons:** The humidity level can be set within a range of 35% to 85% relative humidity in 5% increments. For drier air, set to a lower percentage value. For more damp air, set a higher percentage value.
10. **Power button:** Press to turn the dehumidifier on or off.



## OPERATION

- Place the dehumidifier on a smooth, level floor that is strong enough to support the appliance with a full bucket of water.
- Do not place the dehumidifier on carpeting as this can block air flow around the appliance. Do not force casters to move over carpeting as the appliance can become unbalanced and spill water.
- To maintain efficiency, operate the appliance in an enclosed area. Keep nearby doors and windows closed.
- Maintain a minimum clearance of 40 cm (16 inches) around the air outlets and 20 cm (8 inches) on other sides of the appliance to allow for proper air circulation.
- The recommended ambient operating temperature is between 5°C (41°F) and 32°C (90°F).
- Any time the appliance is placed on its back or side, it must be allowed to stand upright for 6 hours before plugging in to avoid damage to internal components.

- The default humidity setting is 40% and high fan speed. Depending on humidity conditions the dehumidifier may not start automatically under the default setting. This means the humidity in the surrounding air is less than 40%. Press the down button to lower the set humidity until the set humidity is lower than the ambient humidity.
- For optimal performance, ensure that the humidity setting is 10% lower than the ambient humidity. It is normal for the ambient humidity to vary up to 5% above or below the set humidity.
- It is recommended in normal conditions to set the humidity between 40-45%.
- It is normal for the dehumidifier to exhaust warm air from the air outlet.
- The power cord storage band can be found in the water bucket and it can be installed by pressing it onto the back of the cabinet until it clicks.

## TIMER

### Auto Off

1. When the dehumidifier is turned on, press the timer button to activate the auto off timer.
2. Press the humidity adjust buttons to change the set time in 0.5 hour increments up to 10 hours and then in 1 hour increments up to 24 hours.

### Auto On

1. When the dehumidifier is turned off, press the timer button to activate the auto on timer.
2. Press the humidity adjust buttons to change the set time in 0.5 hour increments up to 10 hours and then in 1 hour increments up to 24 hours.

### Using Auto On and Auto Off Together

The auto on and auto off timers can be used at the same time by first setting one and then the other.

For example, if the dehumidifier is running, you can set the auto off timer to let it run for a set amount of time before turning off and then set the auto on timer to turn it back on at a later time.

Or, if the dehumidifier is not running, you can set the auto on timer to turn it on at a later time and then set the auto off timer to shut it off after running for a period of time.

**Note:** The timer will not cycle the dehumidifier on and off indefinitely. The auto on and auto off timers will function one time and then the dehumidifier will return to regular functioning.

Turning the dehumidifier on or off at any time or changing the timer setting to 0.0 will cancel the timer settings.

## WATER REMOVAL

There are two ways to remove collected water from the appliance.

### 1. Water Bucket

The dehumidifier will automatically collect condensed water in the water bucket. When the bucket is full, the compressor and fan will turn off and the full bucket indicator light will turn on. The display will show "P2".

To empty the bucket, gently remove it from the appliance by gripping both sides and pulling outward. Be cautious when removing the bucket, it will be full and can be heavy.

Do not place the water bucket directly on the floor. The bottom of the bucket is uneven and it will fall over and spill water.

Empty the bucket and replace it in the appliance.

### 2. Continuous Drain

Water can be removed using the continuous drain with a standard garden hose and female threaded end (not provided).

Before using any automatic drain functions, check that all drain ports are clean. There is one drain port inside the bucket compartment of the appliance, remove the bucket to see it.

There is one drain port on the back of the appliance where the female threaded end and garden hose attach. All drain ports should be cleaned with a pipe cleaner prior to use.

To use the continuous drain you must purchase a garden hose and female threaded end.

The required dimensions are:

- Female threaded end: ID:M=1"
- Garden hose: ID $\geq$ Φ5/16"

Remove the cover from the continuous drain outlet and attach the female threaded end and the garden hose to the back of the appliance. Direct the other end of the garden hose to a bucket or floor drain.

Ensure that the garden hose is not bent and goes straight down from the back of the appliance. The continuous drain is only activated by gravity so any bends or upward motion in the hose will stop the water from draining.

The garden hose should be cut so that it is no more than 1.8 m (6 feet) long. If the drain hose is too long water may not drain completely which can lead to stagnant water and mildew build up inside the hose.

**Notes:**

- Do not clean the drain ports with anything more rigid than a pipe cleaner as this can damage the appliance.
- If the drain ports are clogged or dirty it can cause water to leak from the bottom of the appliance.
- There is no drain pump in this appliance. The continuous drain is fed by gravity alone.

## CARE & MAINTENANCE

### AIR FILTER

The air filter should be cleaned approximately every 2 weeks. The air filter may require more frequent cleaning if there is significant dander or fur in the air.

Approximately every two weeks, the filter indicator light on the control panel will illuminate as a reminder to clean the filter. Follow the steps below to clean the filter and return the appliance to normal functioning.

1. The air filter is located behind the rear intake grill. To remove the air filter, grasp the filter tab on the bottom of the grill and slide it downward.
2. Use a vacuum cleaner with a soft brush attachment to remove any large debris or dust build up from the air filter.
3. Wash the filter in lukewarm, soapy water, below 40°C (104°F), or use a neutral cleaning agent.
4. Rinse the filter with clean water and dry thoroughly before reinstalling in the appliance.
5. Press the filter button on the control panel to resume normal functioning.

**Note:** Do not operate the appliance without the air filter installed.

### CLEANING

To avoid possible electric shock, ensure that the appliance is unplugged before performing any cleaning or maintenance.

The outside of the appliance can be wiped clean with a soft cloth or with a lukewarm, damp cloth if necessary.

Do not use gasoline, benzene, thinner or any other chemicals to clean this appliance as these substances can cause damage to the finish and deformation of plastic parts.

Never pour water directly onto the appliance as this will cause deterioration of electrical components and wiring insulation.

Ensure that the drain ports on the interior of the appliance and the drain ports on the back of the appliance are free of dirt and calcium build up.

**Note:** Do not clean the drain ports with anything more rigid than a pipe cleaner as this can damage the appliance.

**Note:** If the drain ports are clogged or dirty it can cause water to leak from the bottom of the appliance.

## **END OF SEASON CARE**

Unplug the dehumidifier and ensure the filter is clean. Ensure the bucket is empty and then allow both the bucket and the dehumidifier to dry completely before storing for the off season. It could take a few days for water inside the dehumidifier to completely evaporate. You can speed up this process by wiping the bucket with a dry cloth and ensuring the lower drain of the dehumidifier has been emptied. Store the dehumidifier covered in a dry location.

## **FREQUENTLY ASKED QUESTIONS**

### **What is the best humidity setting?**

We recommend setting your dehumidifier between 40-45%.

### **Is the air that comes out of the dehumidifier supposed to be hot?**

Yes, usually this air feels warm.

### **Why isn't the dehumidifier collecting any water?**

There may not be enough humidity in your environment or the relative humidity might be set higher than ambient humidity.

### **Does the fan run continuously?**

In continuous mode, the fan will run continuously.

In smart dehumidify mode or manual mode the fan will cycle on and off.

### **Can I use an extension cord?**

No, the dehumidifier is built to operate using the power cord provided.

### **Does the timer cycle on and off forever?**

The on and off timers can be used at the same time however, they will only cycle one time and then resume normal functioning.

### **How do I hook up my direct drain?**

To use the continuous drain you must purchase a garden hose and female threaded end.

The dimensions required are:

- female threaded end: ID:M=1"
- garden hose: ID $\geq$  $\Phi$ 5/16".

Remove the cover from the continuous drain outlet and attach the female threaded end and the garden hose to the back of the appliance. Direct the other end of the garden hose to a bucket or floor drain.

### **Does the filter light come on when it is dirty?**

The filter light comes on automatically after about 250 hours of use even if the filter is clean. Clean the filter and then press the filter button to turn the filter light off.

### **What is the plastic piece in the bucket?**

This rounded piece is called a buckle and is clipped on to the back of the dehumidifier. It is used to wrap the power cord during long term storage of the dehumidifier.

## **TROUBLESHOOTING**

### **Appliance will not operate**

- Plug is not fully inserted into the wall outlet
- Blown fuse or circuit breaker
- Ambient humidity is lower than the set humidity
- Bucket is full or is not in the proper position

### **Insufficient dehumidifying**

- Air filter is dirty
- Blocked air flow
- Appliance size is too small for application
- Ambient humidity is lower than the set humidity

### **Noise**

- Air filter is dirty
- Bucket is not in proper position
- Floor surface is not level

### **Odors**

- Formation of mold or mildew on internal wet surfaces
- Place an algacide tablet in the water bucket

## Water on floor

- Hose connection is loose
- Drain cover has been removed

## Frost build up

- When ambient temperature is below 5°C (41°F) frost may form
- Switch the appliance to fan only mode until the frost melts

## ERROR CODES

If the display panel shows any of the below error codes, unplug the appliance, let it stand for 5-10 minutes and then plug it back in. If the error persists, call for service.

AS - Humidity sensor error

ES - Temperature sensor error

P2 - Full bucket or bucket not in the correct position

## DISPOSAL

This appliance may not be treated as regular household waste, it should be taken to the appropriate waste collection point for recycling of electrical components. Check for local regulatory compliance regarding approved and safe disposal of this appliance.

### Warning

This content is compiled from multiple sources and is provided for reference purposes only. It may not be complete or fully applicable to all situations. If you are unable to resolve your issue, please contact the product manufacturer or an authorized service provider for official support.