

USING THE DRYER

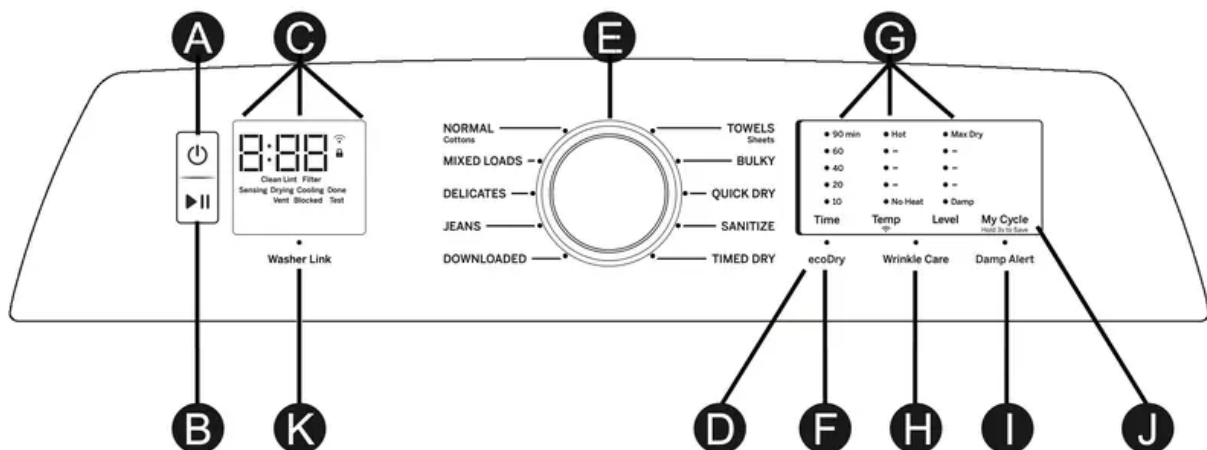
WARNING: To reduce the risk of fire, electric shock, or injury to persons, read the IMPORTANT SAFETY INFORMATION before operating this appliance.

WARNING - Fire Hazard

- Keep flammable materials and vapors, such as gasoline, away from dryer.
- **DO NOT** dry anything that has ever had anything flammable on it (even after washing).
- No washer can completely remove oil.
- **DO NOT** dry anything that has ever had any type of oil on it (including cooking oils).
- Items containing foam, rubber, or plastic must be dried on a clothesline.
- Failure to do so can result in death, explosion, or fire.

Using the dryer

Features and appearance will vary.



A. Power

Press to “wake up” the display. If the display is active, press to put the dryer into idle mode.

NOTE: Pressing **Power** does not disconnect the appliance from the power supply.

B. Start and Pause


Press **Start** to begin the cycle.

NOTE: The door must be closed for the dryer to start the cycle. Pressing **Start** again will pause the cycle, the **Start** light will blink and “**Pause**” will display. To continue the cycle, press **Start** again.

C. Display and Status Lights

The display shows the approximate time remaining until the end of the cycle.

In addition, this display will show the dryer status:

Pause (on some models)	The Start/Pause light will flash and the message " Pause " will show in the display when the dryer's cycle is paused. The cycle may be re-started by pressing the Start button.
WiFi  (on some models)	Will allow your appliance to communicate with your smartphone for remote appliance monitoring control and notifications.
🔒 Controls	The dryer is locked - will blink once if you press any button or turn the cycle knob.
Sensing	Indicates the dryer is sensing the level of dampness to determine estimated cycle time remaining.
Clean Lint Filter	The Clean Lint Filter light will stay on for 15 seconds after the cycle stops.
Vent Blocked (on some models)	The Vent Blocked light indicates an issue has been found due to reduced airflow from a possible blocked or restricted vent. Checking and/or cleaning the vent system is recommended. See the, " Vent Blocked " light is on in the Troubleshooting Tips section.
Sensing	Garments need additional time to be dried.
Drying	Clothes dryer is removing moisture.
Cooling	Air fluff cooling time after drying process.
Done	Cycle has been completed and it will display the legend "END".
Vent + Test	Venting system diagnostic test.

D. Control Lock 

You can lock the controls to prevent any selections from being made. Or you can lock the controls after you have started a cycle. Children cannot accidentally start the dryer by touching buttons with this option selected.

To lock/unlock the dryer controls, press and hold the **ecoDry** button for 3 seconds. The control lock icon will flash while locking/unlocking, stay on when locked, and turn off when unlocked.

NOTE: The **Power** button can still be used when the machine is locked.

E. Drying Cycles



Drying Cycles	Sensor cycles automatically determine fabric dryness. Timed cycles run for the selected time.
SANITIZE	This option reduces certain types of bacteria including: Staphylococcus aureus, Pseudomonas aeruginosa and Klebsiella pneumoniae. The anti-bacterial process occurs when high heat is used during a portion of the drying cycle; cool down also will be longer to protect you from a hot garment. NOTE: Do not use this cycle on delicate fabrics.
BULKY	For large coats, bed spreads, mattress covers, sleeping bags, and similar large/bulky items such as blankets, comforters, jackets, and small rugs.
TOWELS/ Sheets	For most towels and linens.
NORMAL/ Cottons	For cottons and most linens. NOTE: ENERGY STAR® models are tested on NORMAL/ Cottons with default settings (Dry level, Hot temperature and ecoDry).
MIXED LOAD	For loads consisting of cottons and poly-blends.
DOWNLOADED	A cycle with 3 options through the GE Appliances Laundry App: Casual (Default): Wrinkle care and permanent press items. Active Wear: Special sport items that need extra drying care. Warm Up: Provides 10 minutes of heating to warm up clothes.
DELICATES	For delicate items, special-care fabrics and knits.
QUICK DRY	For small loads that are needed in a hurry, such as sport or school uniforms. Can also be used if the previous cycle left some items damp, such as collars or waistbands. NOTE: On some models, the time remaining in the cycle will show counting down in the display.
JEANS	For jeans.
TIMED DRY	Set the Cycle Selector at the desired drying time.
WARM UP	Provides 10 minutes of warming time to warm up clothes.
AIR FLUFF	Provides 10 minutes of tumbling time with no heat. NOTE: On models without AIR FLUFF cycle, select TIMED DRY and set Temp to No Heat .

F. ecoDry

Available for **BULKY**, **TOWELS/Sheets**, **NORMAL/Cottons**, **MIXED LOAD**, **JEANS**, and **DELICATES**. When the ecoDry button is pressed, cycle settings change to reduce the total energy consumption of the selected sensor cycle.

NOTE: Cycle times will change when **ecoDry** is selected. The **ecoDry** option will default to on for NORMAL/Cottons. For optimal energy savings, turn **ecoDry** on. For optimal drying times, turn **ecoDry** off.

NOTE: Energy savings will vary across loads and cycles.

G. Settings

Individual settings for cycle minutes (**Time**), dryness level (**Level**) and temperature (**Temp**) can be set from the minimum (lowest in column) to maximum (highest in column). In general, the higher up the column, the more energy will be used.

Dryness Level	Description	Light ON from bottom indicates setting:
Max Dry	Use for heavy-duty fabrics.	5
More Dry	Use for mixed type fabrics.	4
Dry	Use for a normal dryness level suitable for most loads. This is the preferred cycle for energy savings.	3
Less Dry	Use for lighter fabrics.	2
Damp	For leaving items partially damp.	1
Temperature	Description	Light ON from bottom indicates setting:
Hot	For regular to heavy cottons.	5
Medium	For synthetics, blends, delicates and items labeled permanent press.	4
Low	For delicates, synthetics and items labeled tumble dry low.	3
Extra Low	For delicates, synthetics and items labeled extra care or gentle dryness.	2
No Heat	For fluffing items without heat. For use only with the TIMED DRY cycle.	1

H. Wrinkle Care

Use this option to minimize the wrinkles in clothes. It provides 1 hour of no-heat tumbling after the clothes are dry. If you have **Sound** option enabled and you select the **Wrinkle Care** option, a signal will sound at the end of the drying time and several times during the **Wrinkle Care** cycle. This will remind you that it is time to remove the clothes.

Sound

Press and hold the **Wrinkle Care** button for 3 seconds to toggle Sound option between enabled and disabled. “**Sound on**” will show on the display and a tone will play when enabled. “**Sound off**” will show on the display and no tone will play when disabled.

I. Damp Alert

This option causes the dryer to beep when clothes have dried to a damp level. Remove items that you wish to hang dry. The **Damp Alert** will only beep when this option is selected (but the dry cycle will keep running). Removing clothes and hanging them when they are damp, can reduce the need to iron some items. The light beside the button will be lit when **Damp Alert** is on.

Drum Light

The drum light will turn on if, the **Damp Alert** button is pressed for 3 seconds, or the door is opened. It will turn off when the door is shut, the **Damp Alert** button is pressed again for 3 seconds or after 5 minutes if the door is left open.

- Remove garments promptly at the sound of signal. Place clothes on hangers so wrinkles will not set in.
- Use the **Damp Alert** especially when drying fabrics like polyester, knits and permanent press. These fabrics should be removed so wrinkles will not set in.

J. My Cycle

As the cycle selector knob is turned, the **Time** (timed dry), **Level** (dryness level) and **Temp** (temperature) settings change to automatic pre-set default settings. If you desire a different setting,

press the appropriate button(s). Then press and hold the **My Cycle** button for 3 seconds and the dryer will “remember” these settings for that Knob Selection. In the future, when you turn the selector knob to that cycle, your settings will be automatically recalled.

NOTE: Signal sound cannot be set for **My Cycle**.

K. Washer Link

This feature wirelessly links your washer to your dryer and uses the connection information to automatically adjust the settings of your dryer for the clothes just washed. If the dryer has a valid WiFi connection, and the **Washer Link** option is selected, either via the button or the App, the light above the button will be lit. If the option is not selected then the light will turn off. If the dryer does not have a valid WiFi connection, and this option is selected, either via the button or the App, the WiFi light and the **Washer Link** light will blink and an error tone will play.

LOADING

Always follow fabric manufacturer’s care label when laundering.

Sorting and Loading Hints

WARNING - Fire Hazard

- Keep flammable materials and vapors, such as gasoline, away from dryer.
- **DO NOT** dry anything that has ever had anything flammable on it (even after washing). No washer can completely remove oil.
- **DO NOT** dry anything that has ever had any type of oil on it (including cooking oils).
- Items containing foam, rubber, or plastic must be dried on a clothesline.
- Failure to do so can result in death, explosion, or fire.

As a general rule, if clothes are sorted properly for the washer, they are sorted properly for the dryer. Try also to sort items according to size. For example, do not dry a sheet with socks or other small items.

Do not add fabric softener sheets once the load has become warm. They may cause fabric softener stains. Bounce® Fabric Conditioner Dryer Sheets have been approved for use in this dryer when used in accordance with the manufacturer’s instructions.

Do not overload. This wastes energy and causes wrinkling.

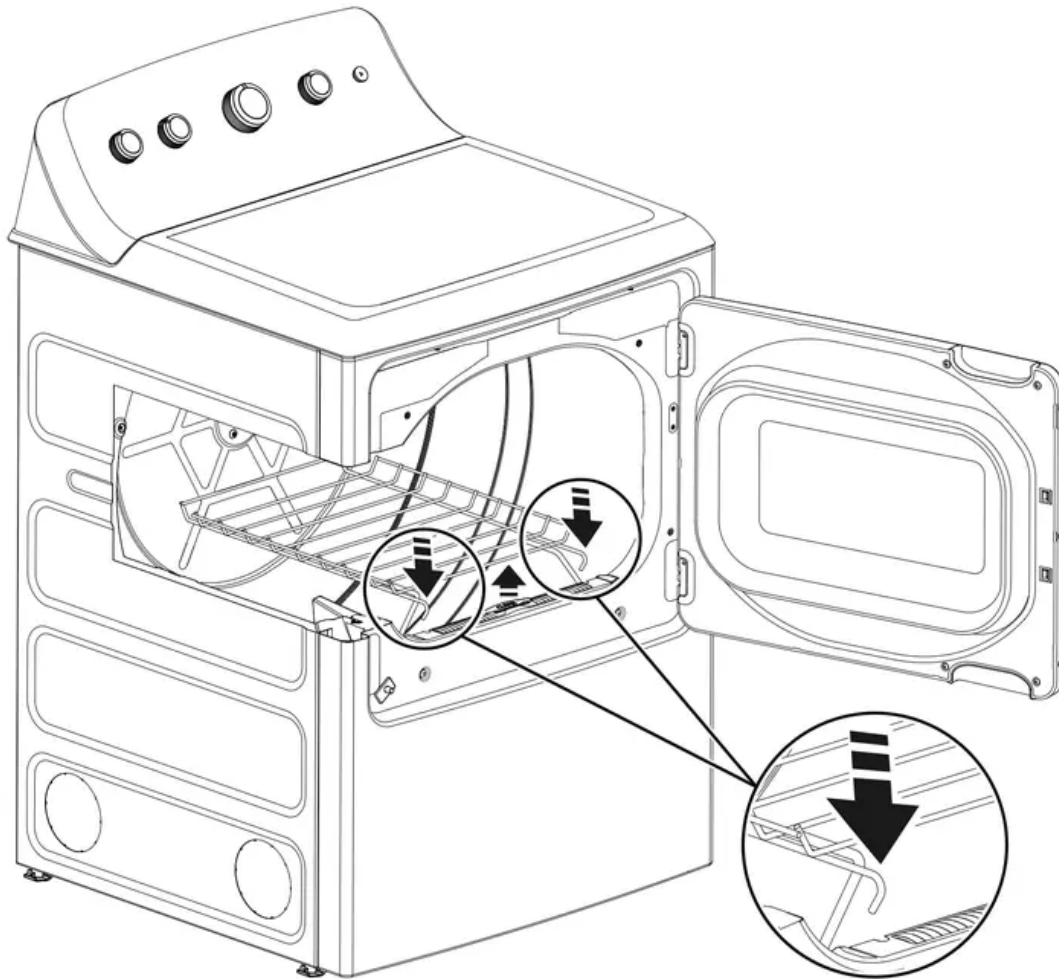
Drying Rack (on some models)

A handy drying rack may be used for drying delicate items such as washable sweaters.

To install the drying rack:

1. Lift the lint filter slightly. (Do not remove the lint filter completely).

2. Place the rack in the dryer and lower its front legs and hook them in the slots.
3. Press the rack down flat and lower the lint filter back down into position.



**Lift filter and hook front
rack legs into slots**

NOTES:

- The drying rack must be used with the **TIMED DRY** cycle. Use with sensor cycles may result in damp items or extended cycle times.
- Do not use this drying rack when there are other clothes in the dryer.

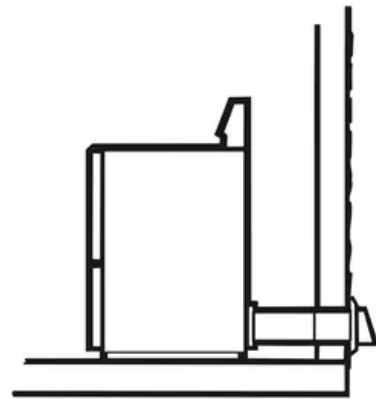
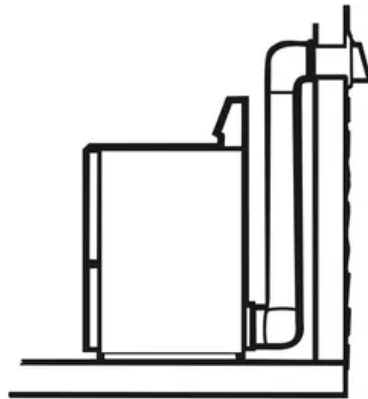
VENTING

Venting the Dryer

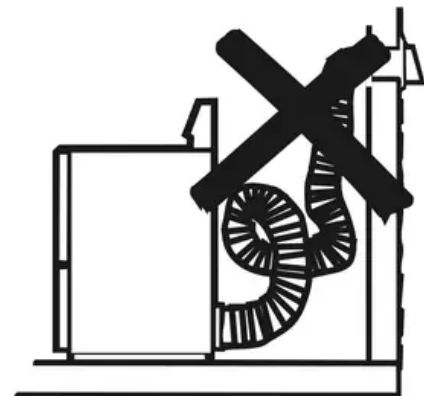
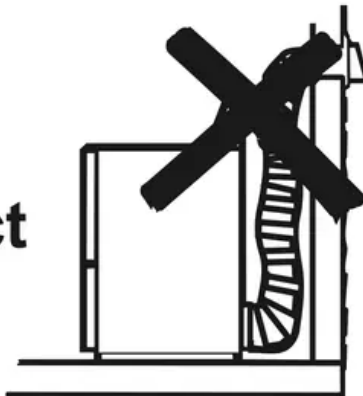
For the best drying performance, the dryer needs to be properly vented. The dryer will use more energy and run longer if it is not vented to the specifications below. Carefully follow the details on Exhausting in the Installation Instructions.

- Use only rigid metal 4" diameter ductwork inside the dryer cabinet. Use only rigid metal or UL listed flexible metal 4" diameter ductwork for exhausting to the outside.
- Do not use plastic or other combustible ductwork.
- Use the shortest length possible.
- Do not crush or collapse.
- Avoid resting the duct on sharp objects.
- **Venting must conform to local building codes.**

Correct Venting



Incorrect Venting



WARNING - Fire Hazard

- Use only 4" rigid metal ducting for the home exhaust duct.
- This dryer **MUST** be exhausted to the outdoors.
- Use only 4" rigid metal or UL-listed dryer transition duct to connect the dryer to the home exhaust.

- **DO NOT** use a plastic vent.
- **DO NOT** exhaust into a chimney, kitchen exhaust, gas vent, wall, ceiling, attic, crawl space, or concealed space of a building.
- **DO NOT** install a screen in or over the exhaust duct.
- **DO NOT** install a booster fan in the exhaust duct.
- **DO NOT** use duct longer than specified in the exhaust length table.
- Failure to follow these instructions can result in death or fire.

Vent Health

Is a diagnostic test to verify the status of the venting system.

NOTE: To run the test, ambient temperature must be below 85°F (if temperature is above 85°F the test will be invalid and the main display will show “00”).

To enter Vent Health test mode:

1. Ensure the drum is empty.
2. Ensure the lint filter is clean.
3. Press and hold the **Time** and **Level** buttons for 3 seconds.
4. Close the door and press **Start**.

After the test is run, the display will show a number. Use the table below to understand the result and the action needed.

Main Display	LED Display	Result	Action*
01	OFF	Clean/ Normal	Your house vent is in good condition and no action is required.
02	OFF	May need attention	Your house vent condition may affect your dryer's performance. Check and clean or make adjustments to improve.
03	Vent Blocked	Blocked	Your house vent is highly restricted and is affecting your dryer's performance. Clean and/or make needed adjustments to improve.

*Also see Interior and Duct in the Care and Cleaning section.

CARE AND CLEANING

Interior and Duct

The interior of the appliance and exhaust duct should be cleaned once a year by qualified service personnel.

The Exhaust Duct: Inspect and clean the exhaust ducting at least once a year to prevent clogging. A partially clogged exhaust can lengthen the drying time.

Follow these steps:

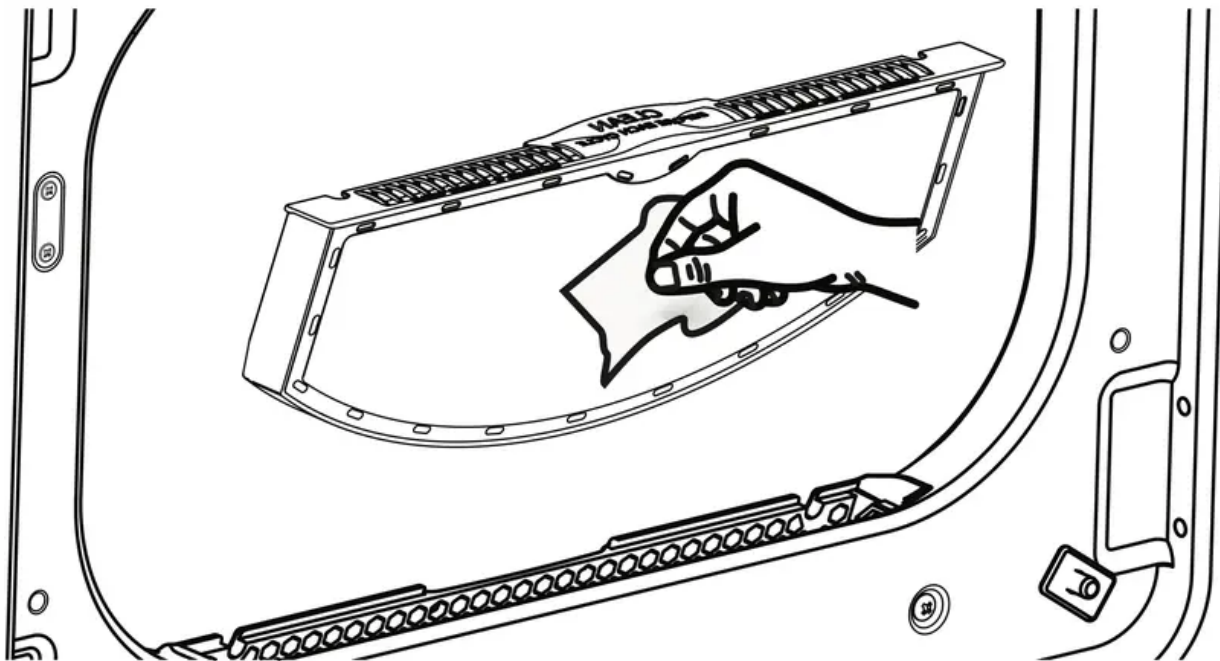
1. Turn off electrical supply by disconnecting the plug from the wall socket.
2. Disconnect the duct from the dryer.
3. Vacuum the duct with the hose attachment and reconnect the duct.

The Exhaust Hood: Check with a mirror that the inside flaps of the hood move freely when operating. Make sure that there is no wildlife (birds, insects, etc.) nesting inside the duct or hood.

Exterior

Wipe or dust any spills or washing compounds with a damp cloth. Dryer control panel and finishes may be damaged by some laundry pretreatment soil and stain remover products. Apply these products away from the dryer. The fabric may then be washed and dried normally. Damage to your dryer caused by these products is not covered by your warranty.

Lint Filter



Clean the lint filter before each use.

Remove by pulling straight up. Run your fingers across the filter. A waxy buildup may form on the lint filter from using dryer added fabric softener sheets.

To remove this buildup, wash the lint screen in warm, soapy water. Dry thoroughly and replace.

Vacuum the lint from the dryer lint filter area if you notice a change in dryer performance.

NEVER OPERATE THE DRYER WITHOUT ITS FILTER IN PLACE.

Stainless Steel

To clean stainless steel surfaces use a damp cloth with a mild, non-abrasive cleaner suitable for stainless steel surfaces. Remove the cleaner residue and then dry with a clean cloth.

The stainless steel used to make the dryer drum provides the highest reliability available in a GE Appliances dryer. If the dryer drum should be scratched or dented during normal use, the drum will not rust or corrode. These surface blemishes will not affect the function or durability of the drum.

Drum Light

The drum light is an LED light. Replacement must be done by a qualified technician.

TROUBLESHOOTING



Problem	Possible Cause	What To Do
Dryer shakes or makes noise	Some shaking/ noise is normal. Dryer may be sitting unevenly.	Move dryer to an even floor space, or adjust leveling legs as necessary until even.
Clothes take too long to dry	Improper or obstructed ducting	Check the Installation Instructions to make sure the dryer venting is correct. Make sure ducting is clean, free of kinks and unobstructed. Check to see if outside wall damper operates easily.
	Improper sorting	Separate heavy items from light weight items (generally, a well-sorted washer load is a well-sorted dryer load).
	Large loads of heavy fabrics (like beach towels)	Large, heavy fabrics contain more moisture and take longer to dry. Separate large, heavy fabrics into smaller loads to speed drying time.
	Controls improperly set	Match control settings to the load you are drying.
	Lint filter is full	Clean lint filter before every load.
	Blown fuses or tripped circuit breaker	Replace fuses or reset circuit breakers. NOTE: Some electric dryers use 2 fuses/ breakers, make sure both are operating.
	Overloading/ combining loads	Do not put more than one washer load in the dryer at a time.
	Underloading	If you are drying only one or two items, add a few items to ensure proper tumbling.

Problem	Possible Cause	What To Do
	ecoDry is enabled	The ecoDry feature is designed to operate your dryer in the most energy efficient mode, which is not always the fastest mode. In some instances, dry times may be extended to reduce overall energy usage for the cycle.
The Dry dryness level was chosen but load is still damp	Load consists of a mixture of heavy and light fabrics	When combining heavy and light fabrics in a load, choose Max Dry.
	Exhaust system is blocked	Inspect and clean exhaust system.
Dryer doesn't start	Control panel is "asleep"	This is normal. Press Power to activate the control panel.
	Dryer is unplugged	Make sure the dryer plug is pushed completely into the outlet.
	Fuse is blown/ circuit breaker is tripped	Check the building's fuse/ circuit breaker box and replace fuse or reset breaker. NOTE: Some electric dryers use two fuses/ breakers, make sure both are operating.
	Dryer was accidentally paused when starting Delay Dry	If the light on the Start/Pause button is flashing, the dryer is paused. Press Start/ Pause to restart the countdown.
No numbers displayed during cycle, only lights	Dryer is continuously monitoring the amount of moisture in the clothes	This is normal. When the dryer senses a low level of moisture in the load, the dryer will display the dry time remaining.
Time Remaining jumped to a lower number	The estimated time may change when a smaller load than usual is drying	This is normal.

Problem	Possible Cause	What To Do
Cannot make as election and the dryer beeps twice	The dryness Level, Temp or option that you are trying to select is in compatible with the chosen dry cycle	This is normal.
Dryer is running but 00 is displayed in Time Remaining	The Wrinkle Care option was chosen	This is normal. During extended tumbling, the time remaining is not displayed. The extended tumbling option lasts approximately 60 minutes.
“Vent Blocked” light is on	Lint filter is full	Clean lint filter, dry a load on an automatic cycle and verify that light turns off.
	Improper or obstructed ducting	Check the Installation Instructions to make sure the dryer venting is correct. Make sure ducting is clean, free of kinks and unobstructed. Check to see if outside wall damper operates easily. Dry a load on an automatic cycle and verify that light turns off.
	Exhaust system is blocked	Inspect and clean the exhaust system. Dry a load on an automatic cycle and verify that light turns off.
Dryer doesn’t heat	Fuse is blown/ circuit breaker is tripped; the dryer may tumble but not heat	Check the building’s fuse/ circuit breaker box and replace both fuses or reset both breakers. Your dryer may tumble if only one fuse is blown or one breaker tripped. NOTE: Some electric dryers use 2 fuses/ breakers, make sure both are operating.
	Gas service is off (gas models only)	Make sure gas shut off at dryer and main shutoff are fully open.



Problem	Possible Cause	What To Do
	LP gas supply tank is empty or there has been a utility interruption of natural gas (gas models only)	Refill or replace tank. Dryer should heat when utility service is restored.
	No heat temperature selected	Select another heat setting
Inconsistent drying times	Type of heat	Drying time will vary according to the type of heat used. If you recently changed from an electric to a gas (natural or LP) dryer, or vice versa, the drying time could be different.
	Type of load and drying conditions	The load size, types of fabric, wetness of clothes and the length and condition of the exhaust system will affect drying times.
Clothes are still wet and dryer shut off after a short time	The door was opened mid-cycle. The load was then removed from the dryer and a new load put in without selecting a new cycle	A dry cycle must be reselected each time a new load is put in.
	Small load	When drying 3 items or less, choose QUICK DRY or TIMED DRY.
	Load was already dry except for collars and waist bands	Choose QUICK DRY or TIMED DRY to dry damp collars and waist bands. In the future, when drying a load with collars and waist bands, choose More Dry.
	Dryer is not level	Move dryer to an even floor space or adjust leveling legs as necessary until even.

Problem	Possible Cause	What To Do
Clothes are wrinkled	Overdrying	Select a shorter drying time. Remove items while they still hold a slight amount of moisture. Select a Less Dry or Damp setting.
	Letting items sit in dryer after cycle ends	Remove items when cycle ends and fold or hang immediately, or use the Wrinkle Care option.
	Overloading	Separate large loads into smaller ones.
Clothes shrink	Some fabrics will naturally shrink when washed. Others can be safely washed, but will shrink in the dryer.	To avoid shrinkage, follow garment care labels exactly. Some items maybe pressed back into shape after drying. If you are concerned about shrinkage in a particular item, do not machine wash or tumble dry it.
Greasy spots on clothes	Improper use of fabric softener	Follow directions on fabric softener package.
	Drying dirty items with clean ones	Use your dryer to dry only clean items. Dirty items can stain clean items and the dryer.
	Clothes were not completely clean	Sometimes stains which cannot be seen when the clothes are wet appear after drying. Use proper washing procedures before drying.
Lint on clothes	Lint filter is full	Clean lint screen before each load.
	Improper sorting	Sort lint producers (like chenille) from lint collectors (like corduroy).

Problem	Possible Cause	What To Do
	Static electricity can attract lint	See suggestions in this section under Static occurs.
	Overloading	Separate large loads into smaller ones.
	Paper, tissue, etc., left in pockets	Empty all pockets before laundering clothes.
Static occurs	No fabric softener was used	Try a fabric softener. Bounce ®Fabric Conditioner Dryer Sheets have been approved for use in all GE Appliances dryers when used in accordance with the manufacturer's instructions.
	Overdrying	Try a fabric softener. Adjust setting to Damp.
	Synthetics, permanent press and blends can cause static	Try a fabric softener.
Collars and waist bands still wet at end of cycle	The dryness monitor senses that the body of the clothes is dry	Choose QUICK DRY or TIMED DRY to dry damp collars and waist bands. In the future, when drying a load with collars and waist bands, choose Max Dry.
Slight variation in metallic color	This is normal	Due to the metallic properties of paint used for this unique product, slight variations of color may occur due to viewing angles and lighting conditions.

Problem	Possible Cause	What To Do
Dryer continues to tumble after display says Complete	Wrinkle Care was selected	Ensure Wrinkle Care option is not selected.

Warning

This content is compiled from multiple sources and is provided for reference purposes only. It may not be complete or fully applicable to all situations. If you are unable to resolve your issue, please contact the product manufacturer or an authorized service provider for official support.

