

## Before First Use

- Check for transport damages.

**DANGER: Risk of suffocation!** Keep any packaging materials away from children - these materials are a potential source of danger, e.g. suffocation.

## Cleaning and Maintenance

### Cleaning

- To clean, wipe with a soft, slightly moist cloth.
- Never use corrosive detergents, wire brushes, abrasive scourers, metal or sharp utensils to clean the product.


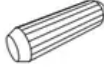



















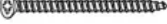



### Maintenance

- Regularly check that all the components and fasteners (hardware) are tightened.
- Store in a cool and dry place away from children and pets, ideally in original packaging.

## Specifications

Dimensions (W x H x D):	24.8 x 70 x 14 in (63 x 178 x 35.6 cm)
Net weight:	31.24 lbs (14.2 kg)
Maximum load (per shelf):	44 lbs (20 kg)

# Contents

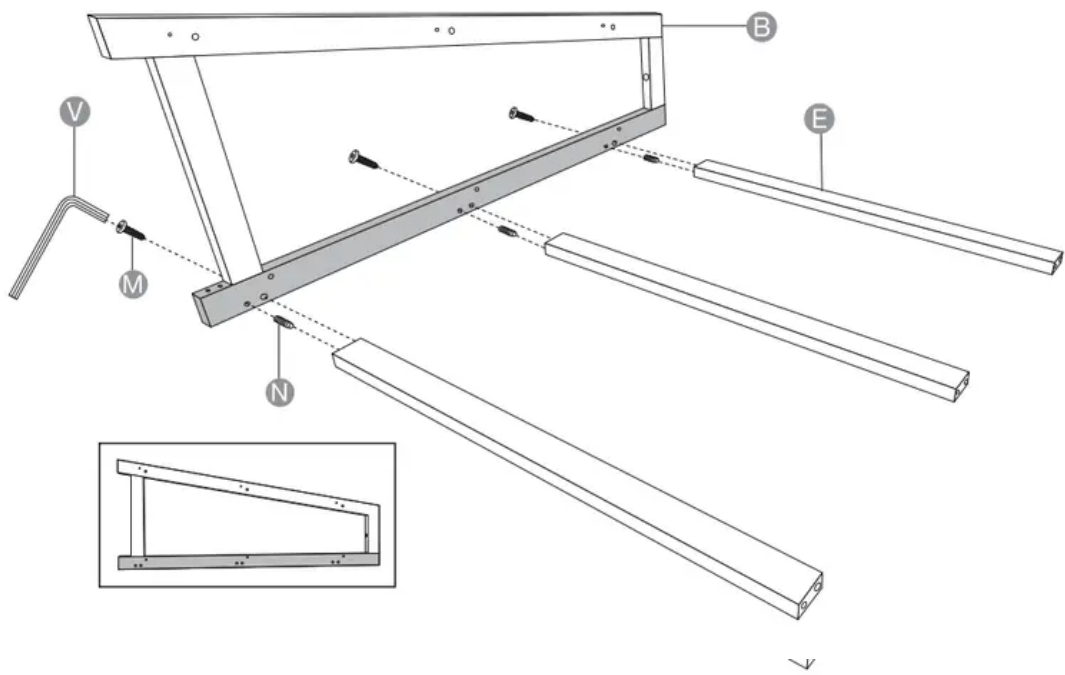
A		x1	N		x14
B		x1	O		x20
C		x1	P		x20
D		x1	Q		x10
E		x5	R		x2
F		x1	S		x10
G		x1	T		x2
H		x1	U		x2
I		x1	V		x2
J		x1	W		x2
K		x4	X		x6
L		x2	Y		x20
M		x10			

You will need:

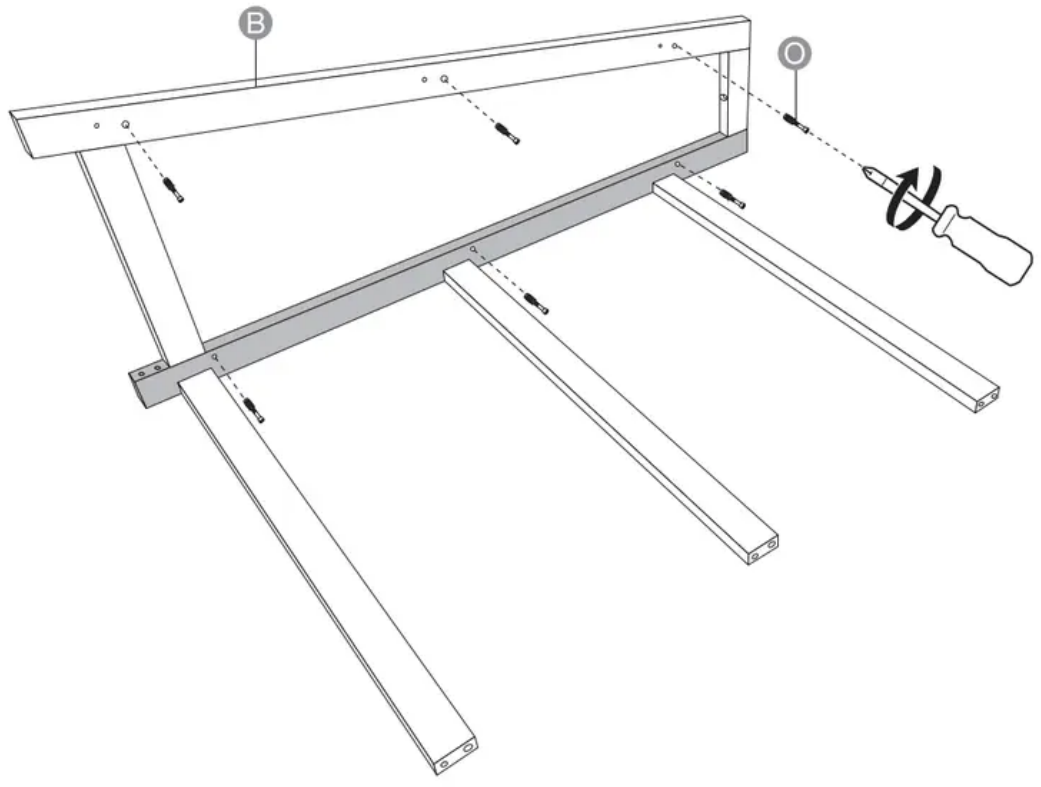


# Assembly

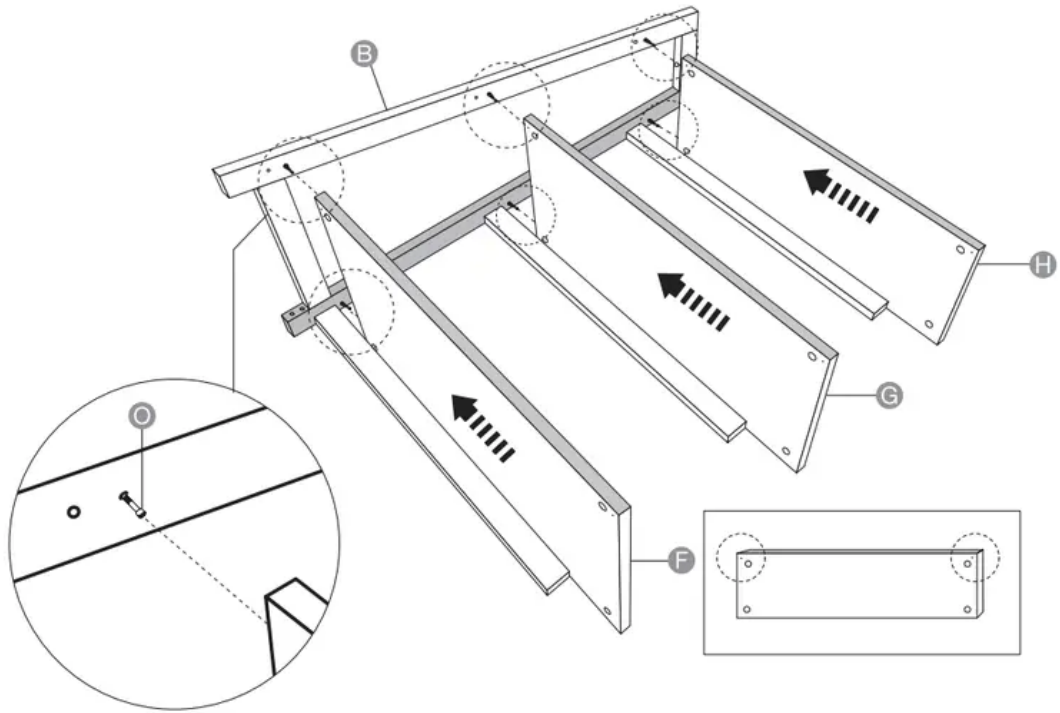
1:



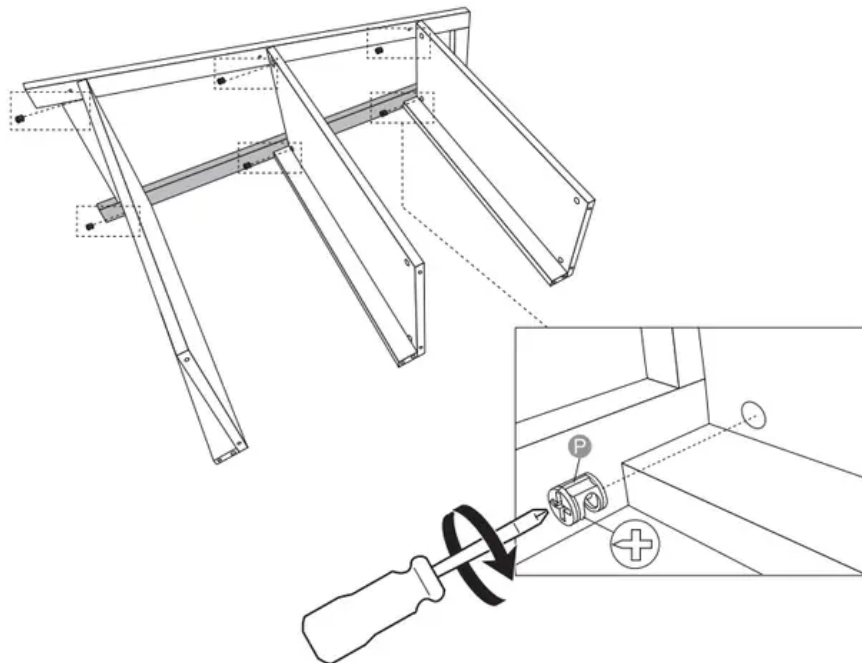
2:



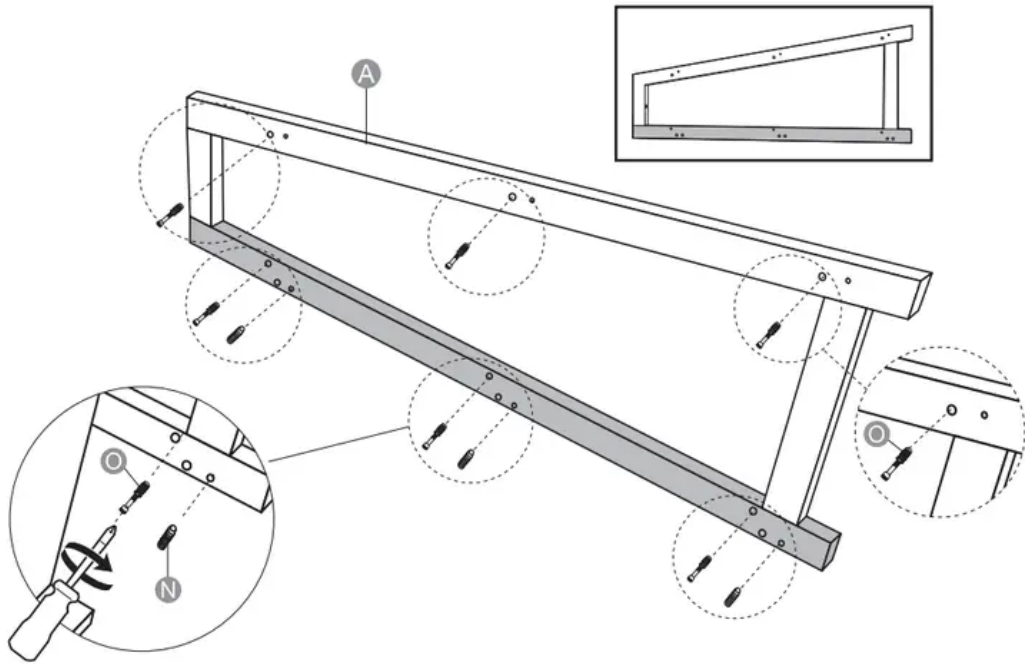
3:



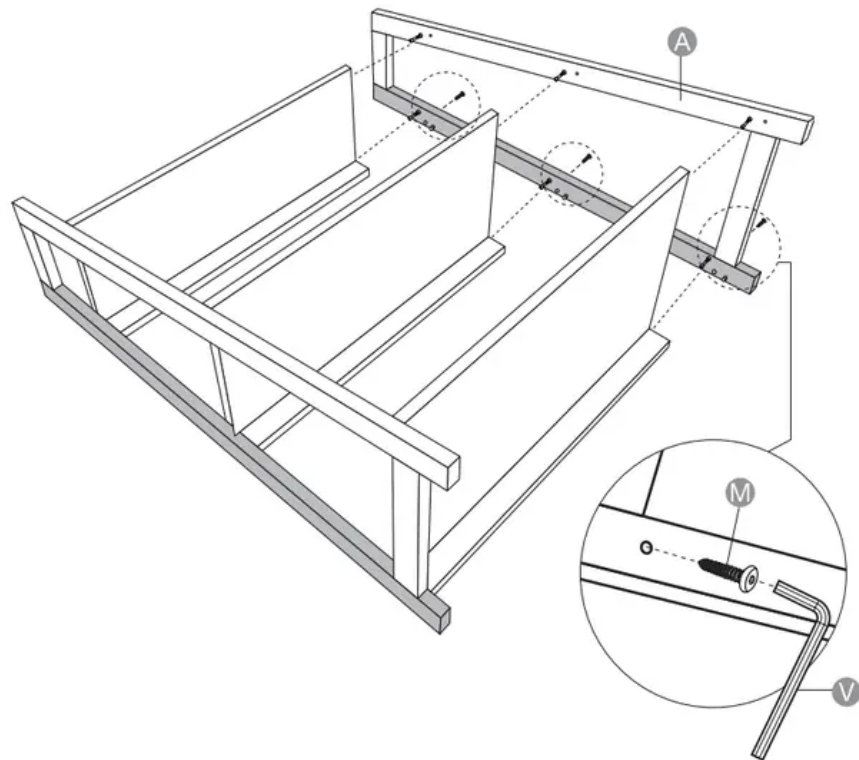
4:



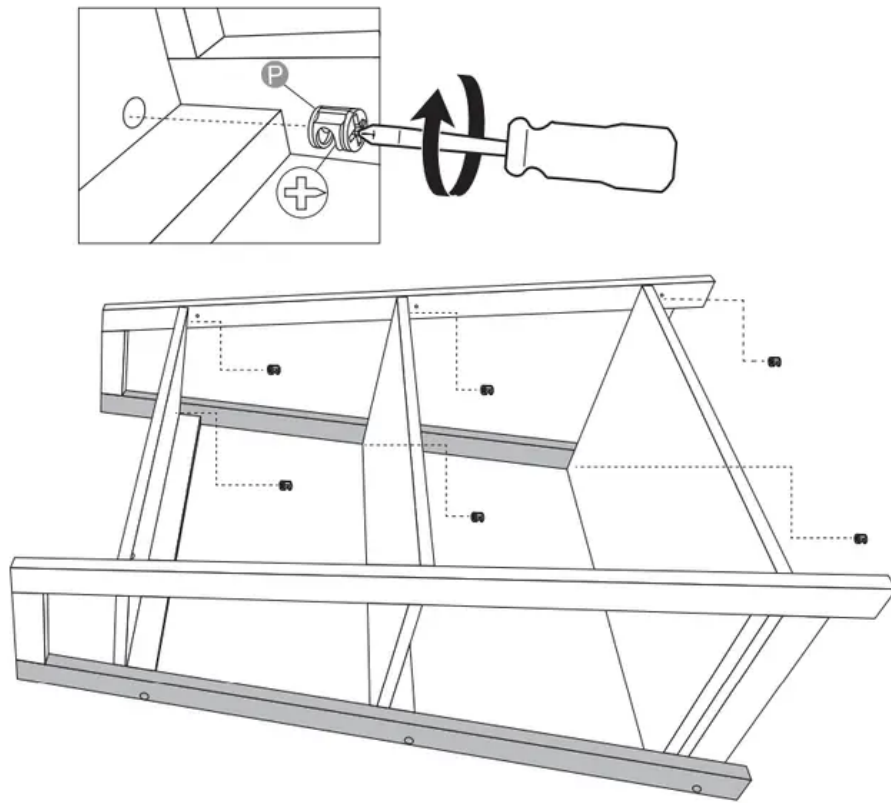
5:



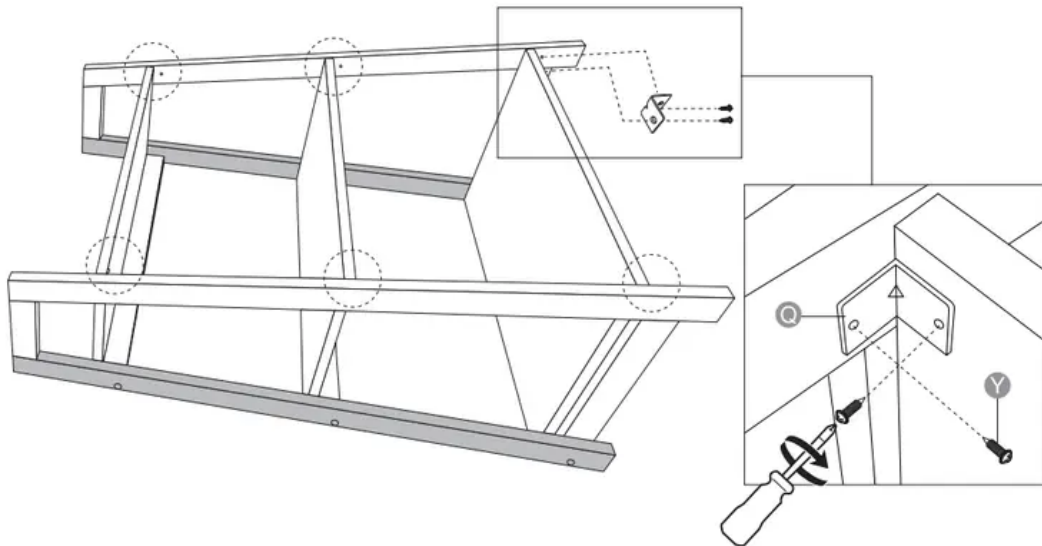
6:



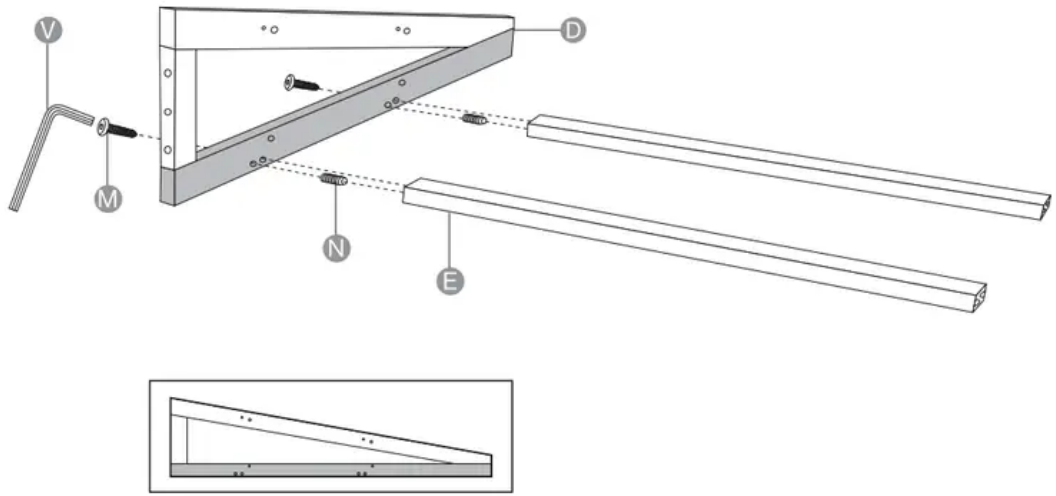
7:



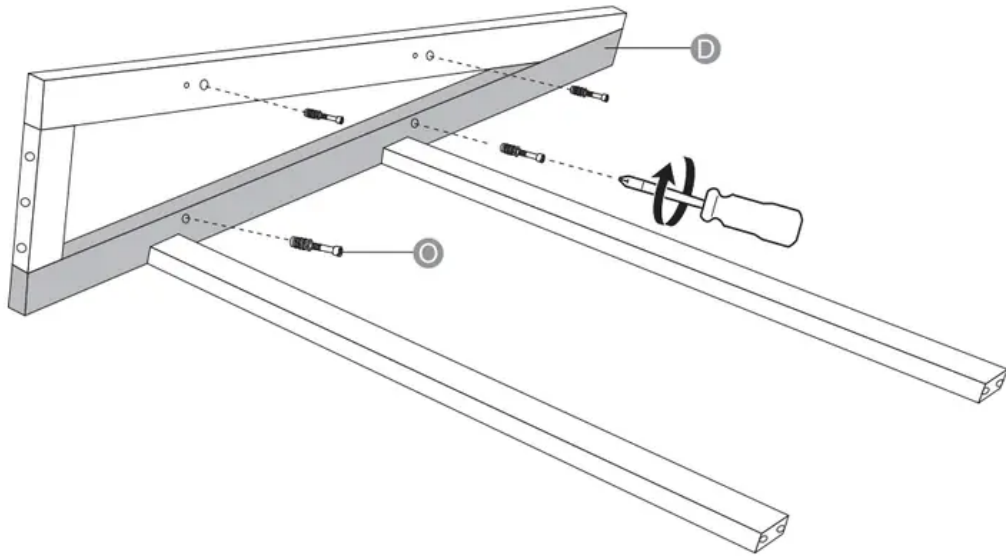
8:



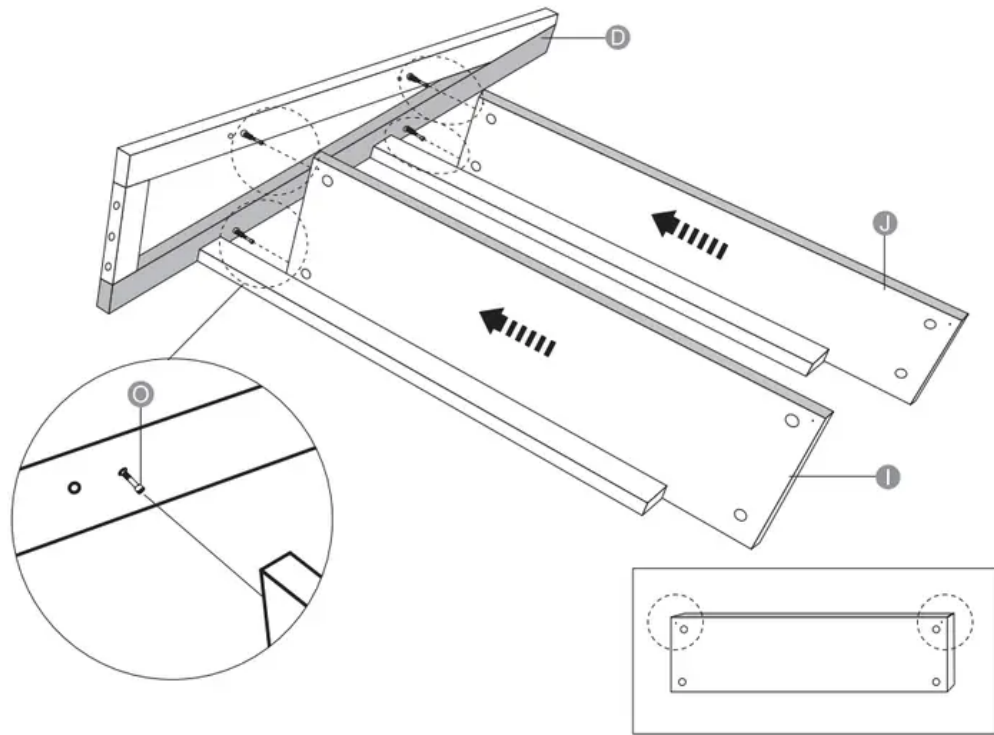
9:



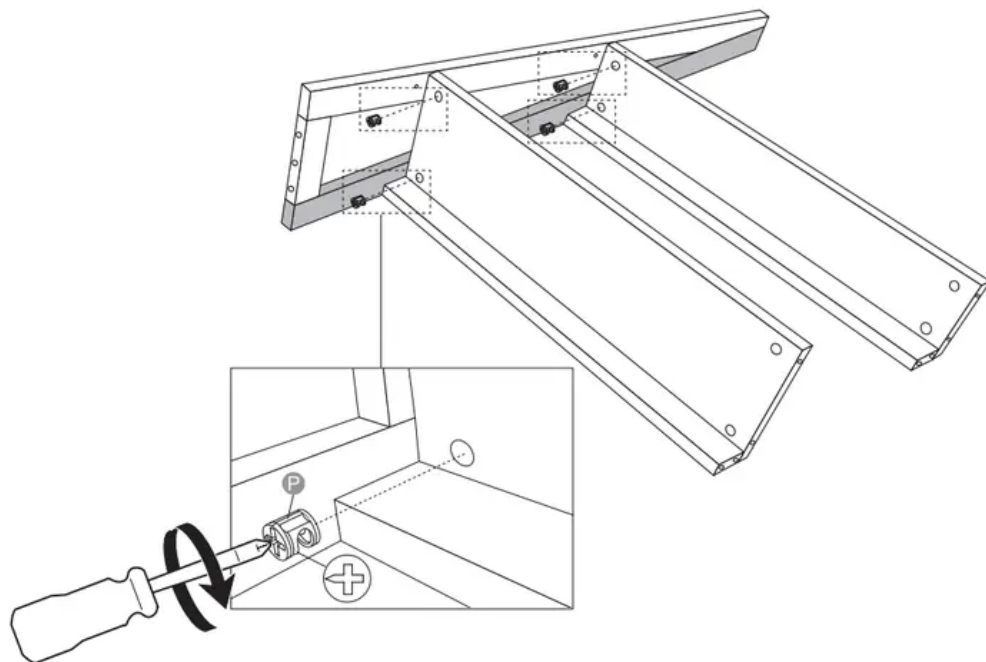
10:



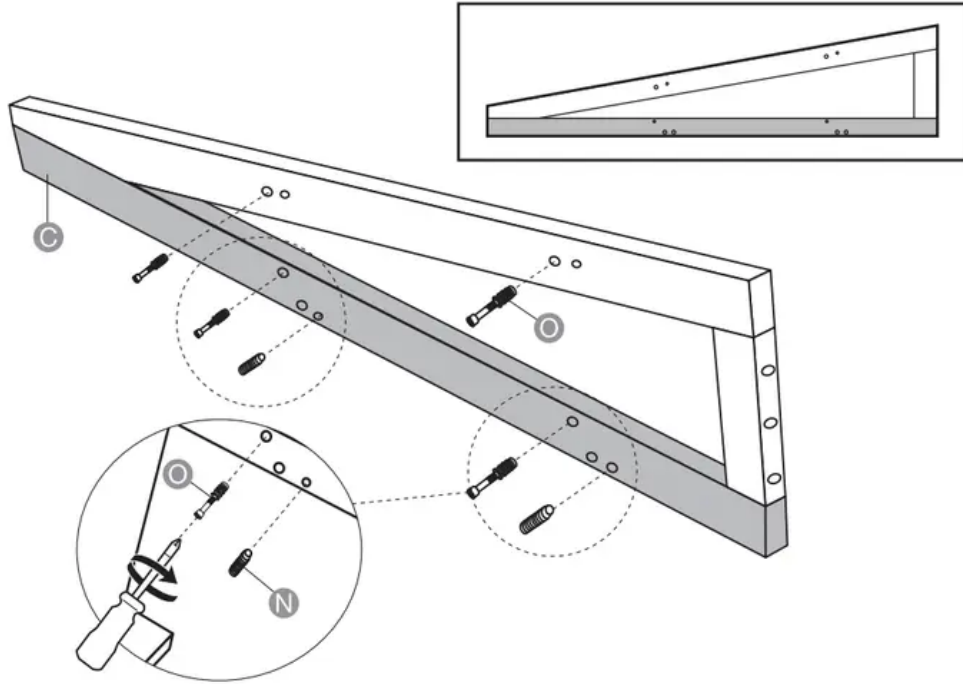
11:



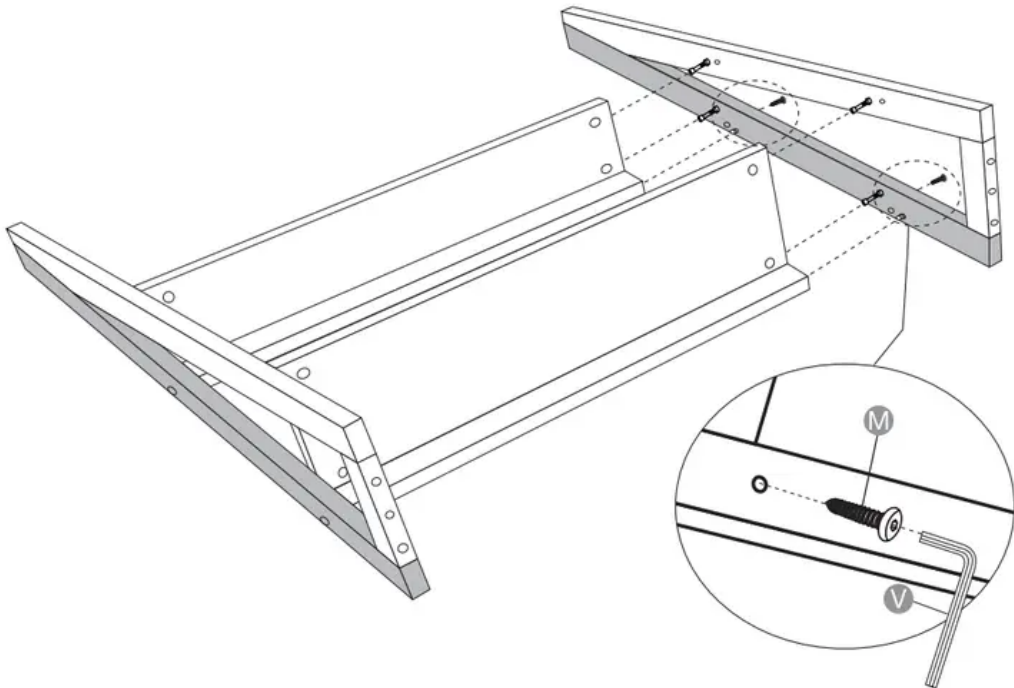
12:



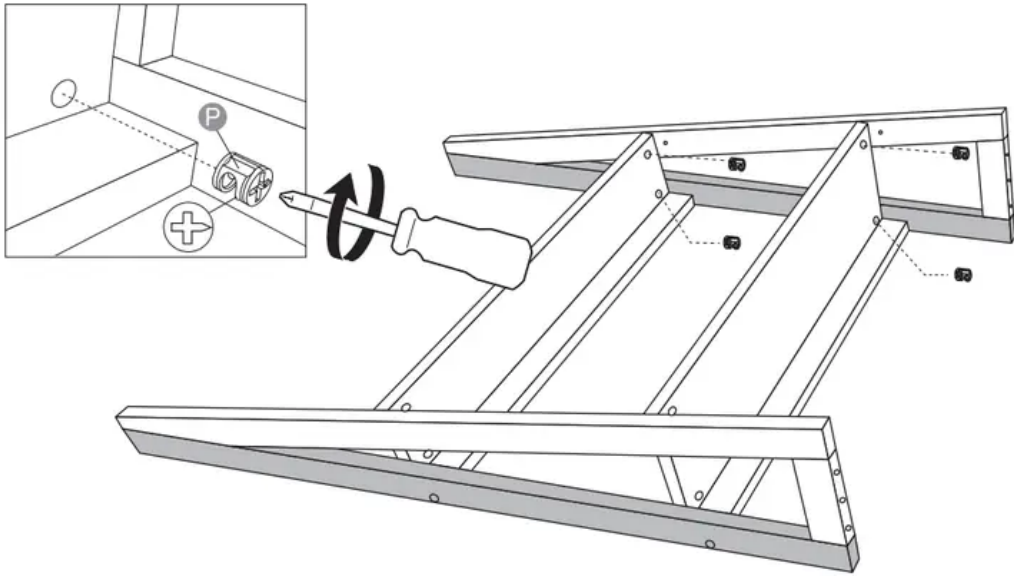
13:



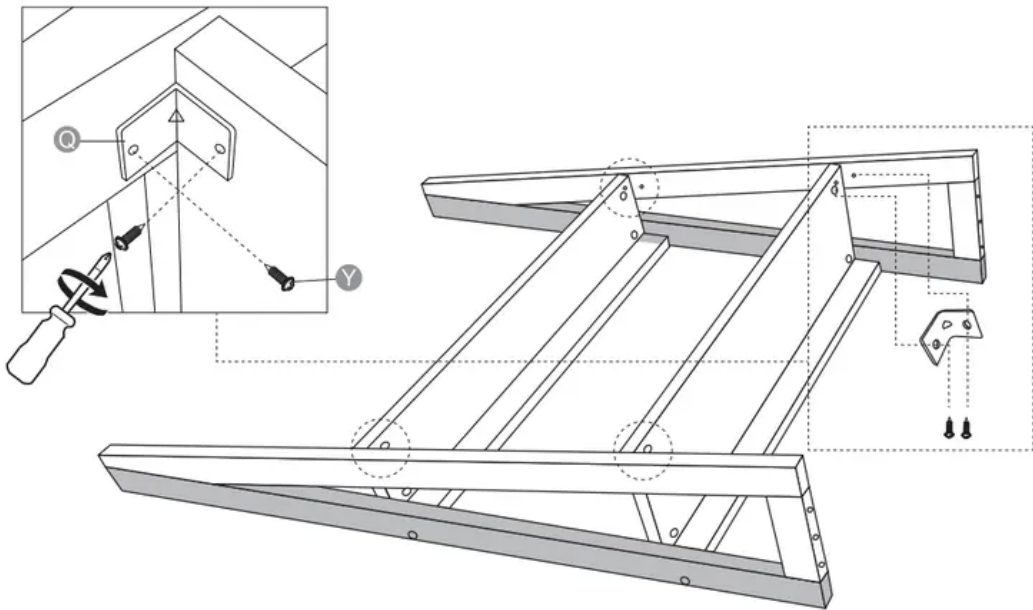
14:



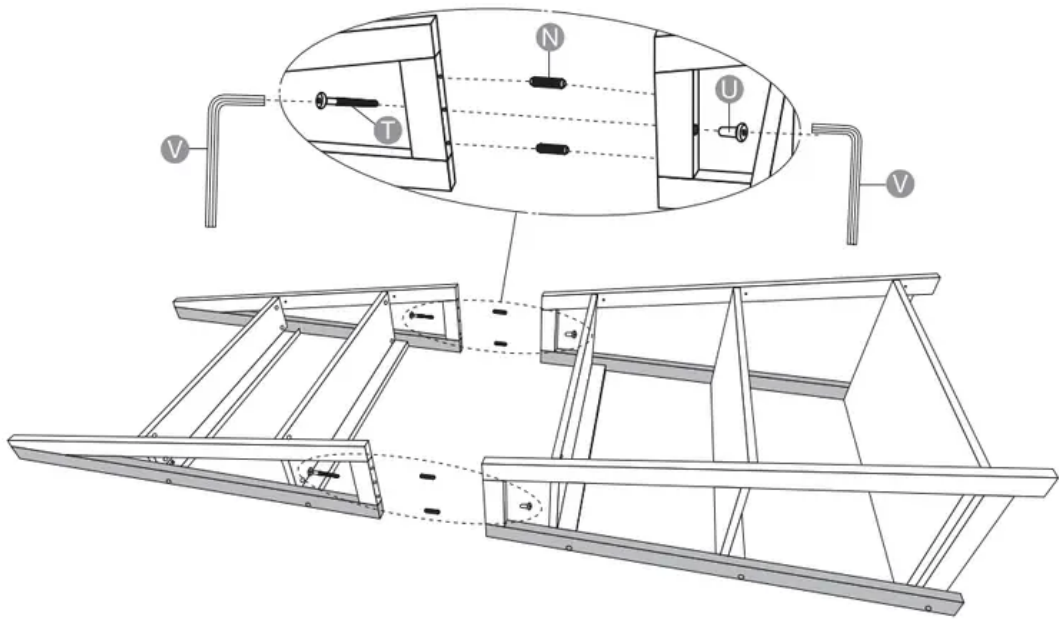
15:



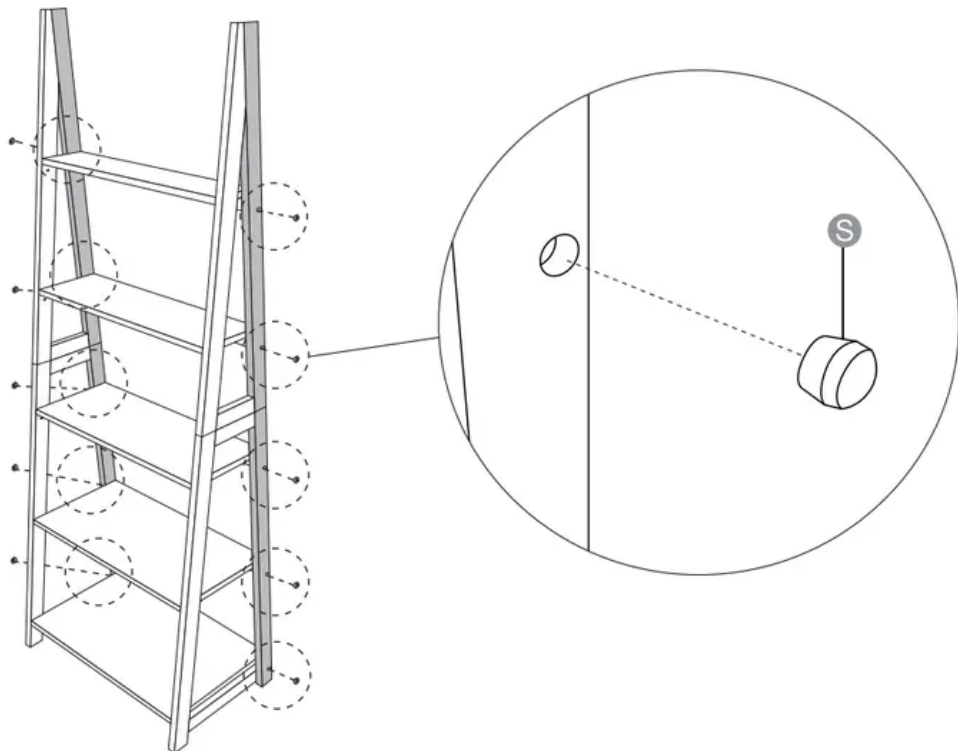
16:



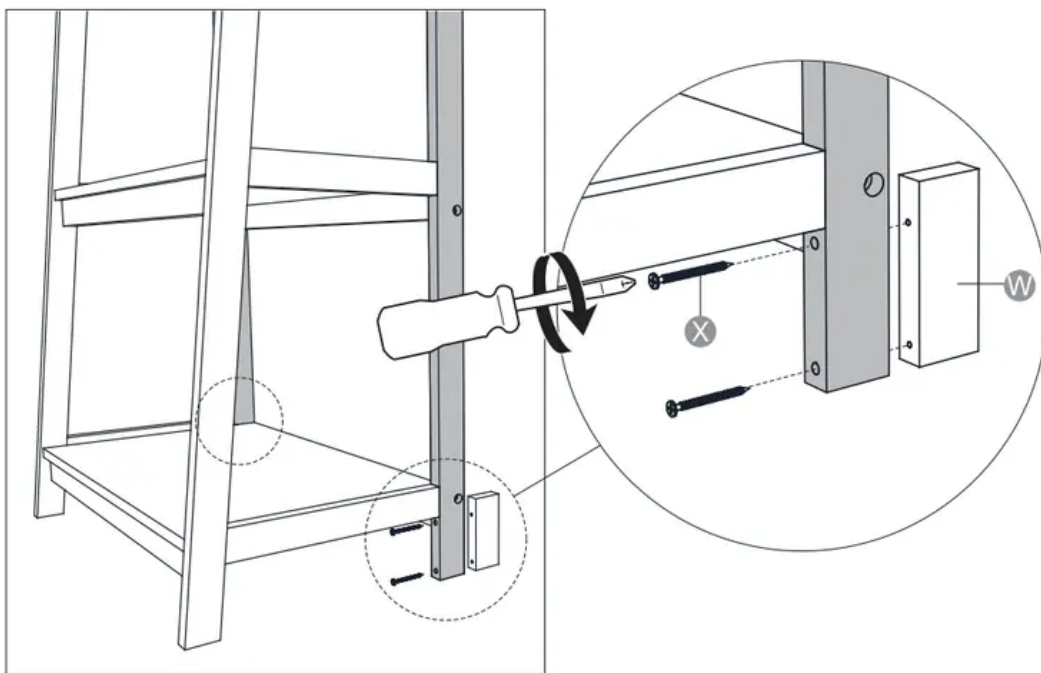
17:



18:

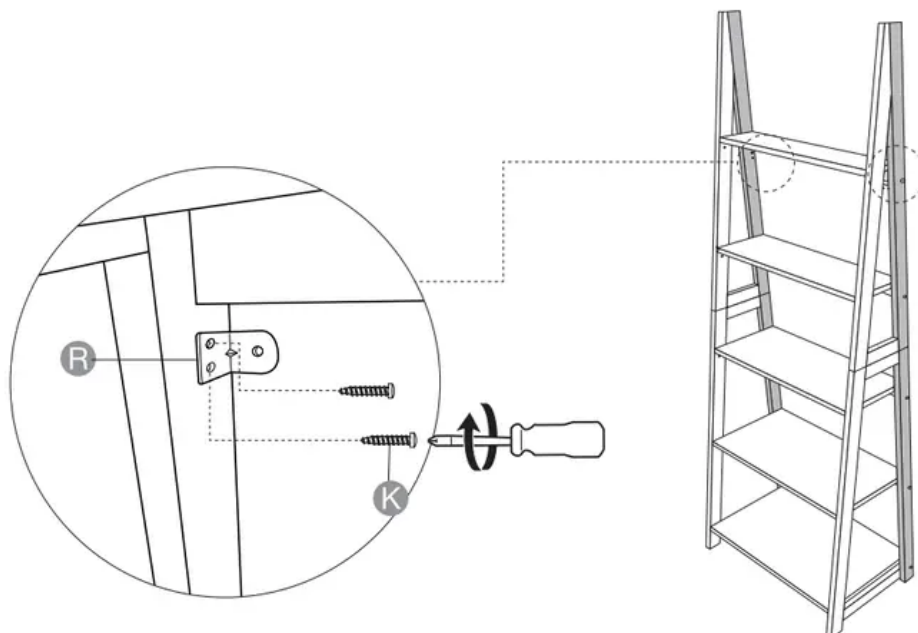


## Standalone Installation



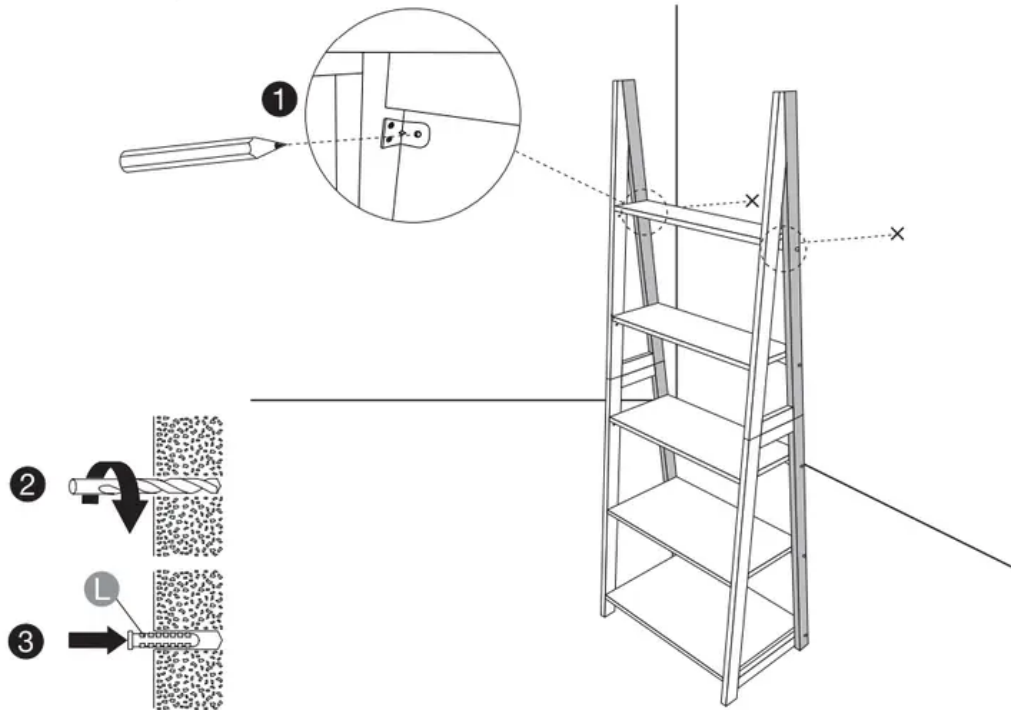
In case the product is used as standalone shelf, the additional wooden blocks must be installed in order to reduce the risk of tipping over.

## Wall Installation 1

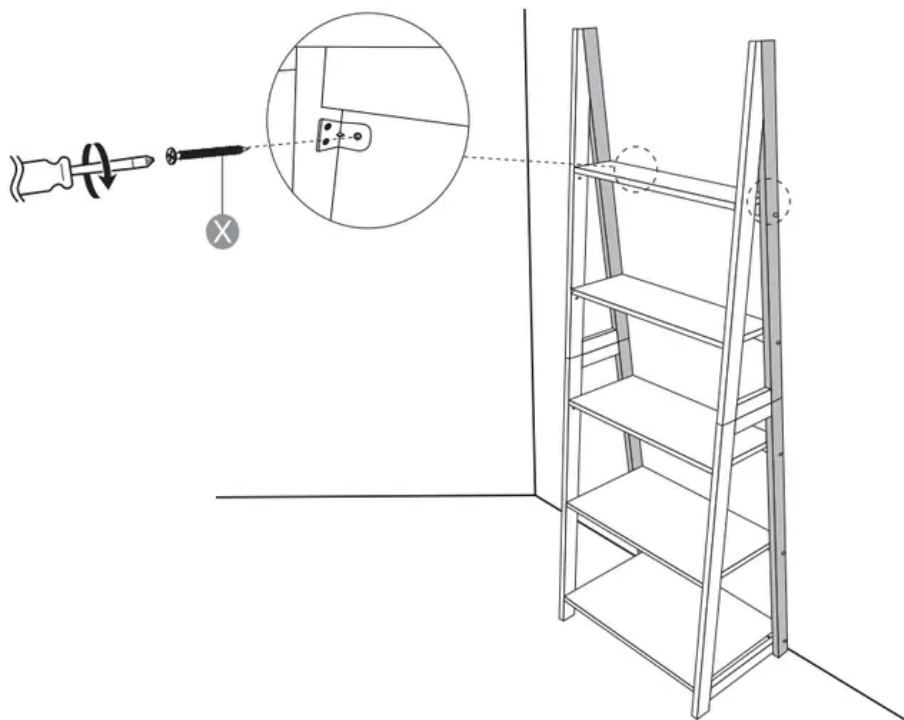


It is highly recommended to anchor the product to a wall using a wall bracket (R) to prevent overturning.

## Wall Installation 2



## Wall Installation 3



**Warning**

This content is compiled from multiple sources and is provided for reference purposes only. It may not be complete or fully applicable to all situations. If you are unable to resolve your issue, please contact the product manufacturer or an authorized service provider for official support.

---

Document generated by [ManualsFile](#)

