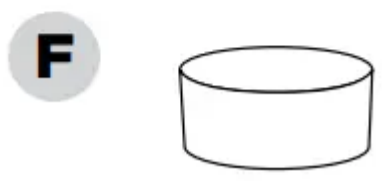
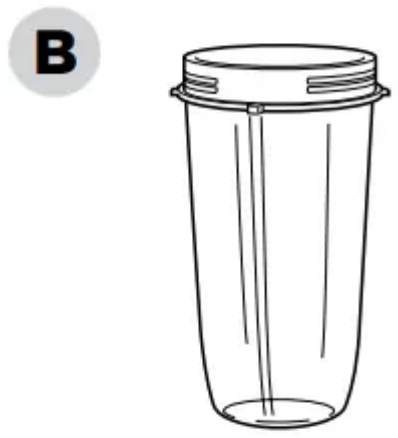
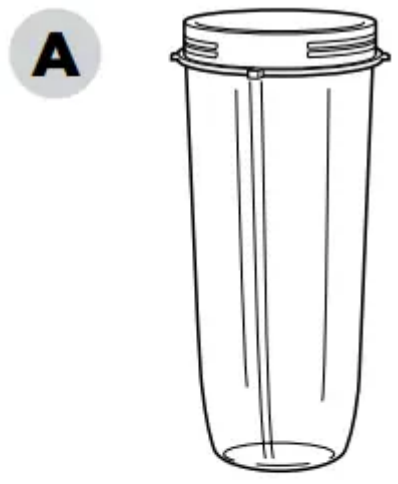


PARTS



**G**



**H**



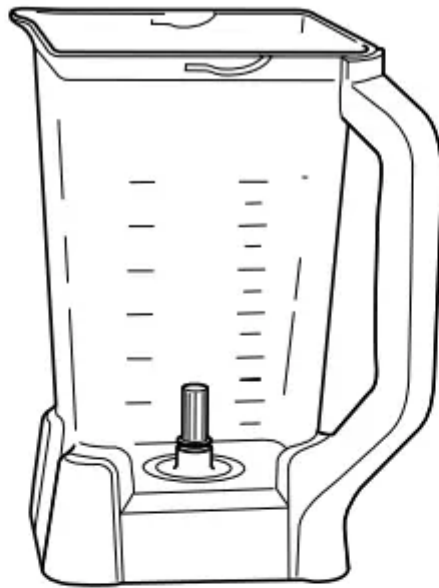
**I**



**J**



**K**

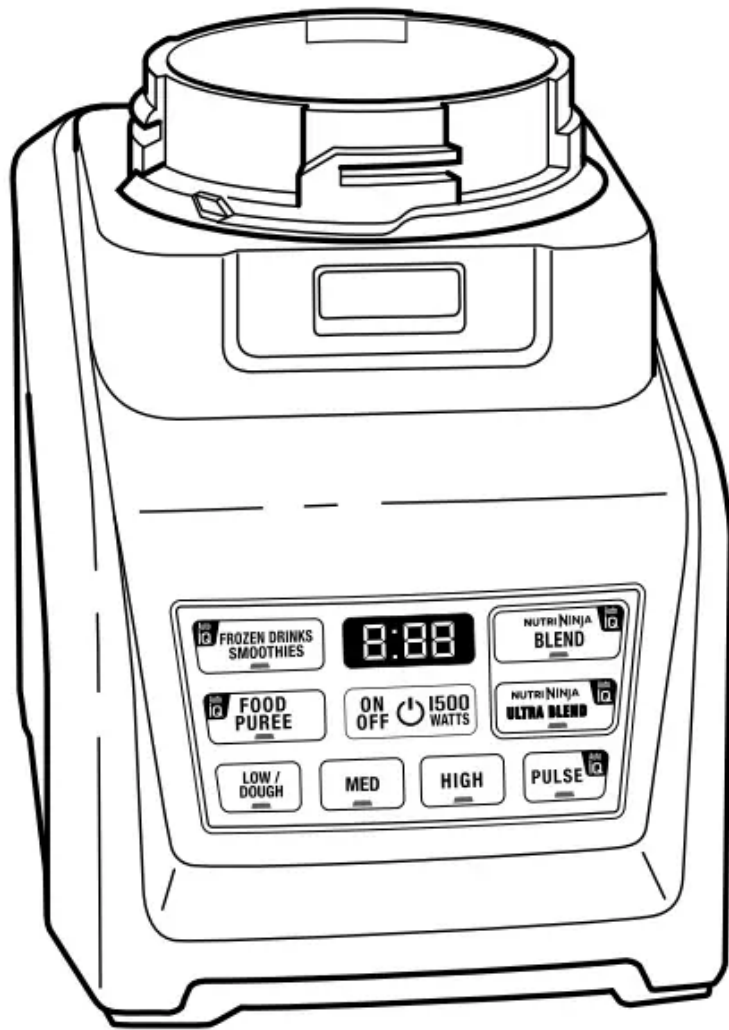


**L**



**M**





- A, 900 ml Nutri Ninja® Cup
- B, 650 ml Nutri Ninja Cup
- C, 500ml Nutri Ninja Cup
- D, Pro Extractor Blades™ Assembly
- E, Sip & Seal® Lid
- F, Silicone Grip Sleeve
- G, Food Processor Bowl
- H, Food Processor Lid
- I, Chopping Blade Assembly (food processor)
- J, Dough Blade Assembly (food processor)
- K, Pitcher

L, Blender Lid with locking handle

M, Stacked Blade Assembly (blender)

N, Motor Base

## BEFORE FIRST USE

**IMPORTANT:** Review all warnings on pages 4–6 before proceeding.

**NOTE:** All attachments are BPA free and dishwasher safe. It is recommended that the containers, lids, and blade assemblies be placed on the top rack of the dishwasher. Ensure blade assemblies and lids are removed from the containers before placing in the dishwasher. Exercise care when handling blade assemblies.

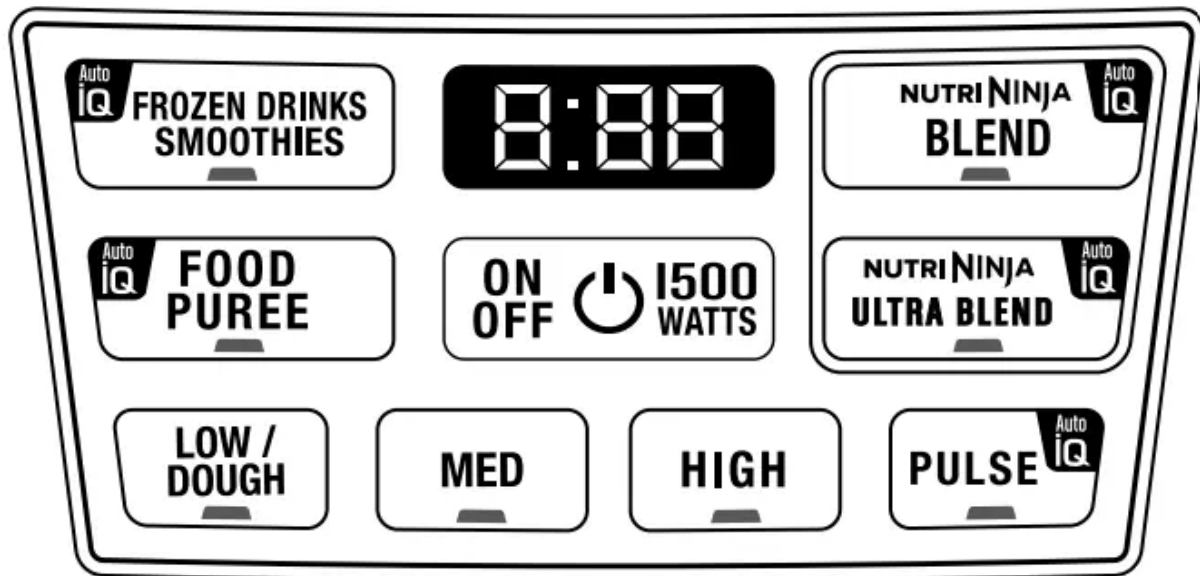
1. Remove all packaging material and labels from the appliance. Separate/remove all parts from each other.
2. Wash the lids, pitchers, Nutri Ninja® Cups, and blade assemblies in warm, soapy water. When washing the blade assemblies, use a dish-washing utensil with a handle to avoid direct hand contact with blades.
3. Handle blade assemblies with care to avoid contact with sharp edges. Rinse and air dry thoroughly.
4. The pitcher, lids, Nutri Ninja Cups, and blade assemblies all dishwasher safe. It is recommended that the lids and blade assemblies be placed on the top rack. Ensure the blade assemblies are removed from the containers before placing in the dishwasher.
5. Wipe the motor base clean with a damp cloth.

## FEATURES



The Power button should be used to turn the unit on or off.

**AUTO-IQ®:** The Nutri Ninja | Ninja Blender System with Auto-iQ Technology is a high powered innovative tool with a sleek design and outstanding performance, a true asset to any kitchen. The Nutri Ninja | Ninja Blender System with Auto-iQ Technology features intelligent programs that combine pulsing, blending and pausing patterns that do the work for you. Get great results every time with no guesswork required. For best results, be sure to carefully read all the instructions contained in the manual before using this appliance.



- Patent Pending Ninja Blade Technology
- BPA-Free pitcher (maximum liquid capacity 2 L), Nutri Ninja Cups, Food Processor Bowl and Lids
- Drip-Free Pour Spout
- Total Crushing® Technology
- LED Control Panel with Timer
- Sturdy, Non-Slip Base
- Smart Lid technology for easy release
- 3 speeds: Low/Dough, Medium & High
- 5 Auto-iQ settings - Auto-iQ Frozen Drinks/Smoothies, Auto-iQ Food Puree, Nutri Ninja Auto-iQ Blend, Nutri Ninja Auto-iQ Ultra Blend & Auto-iQ Pulse
- Nutrient & Vitamin Extraction\*

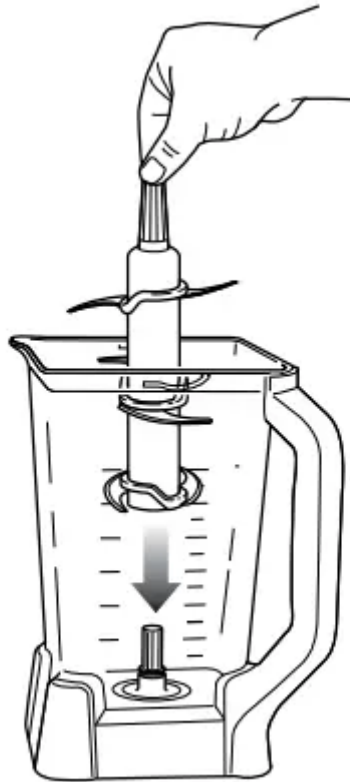
\*Extract a nutritious drink containing vitamins and nutrients from fruits and vegetables.

## USING THE NINJA® BLENDER

IMPORTANT: Review all warnings on pages 4–6 before proceeding.

IMPORTANT: Make sure that the motor base is plugged in for use.

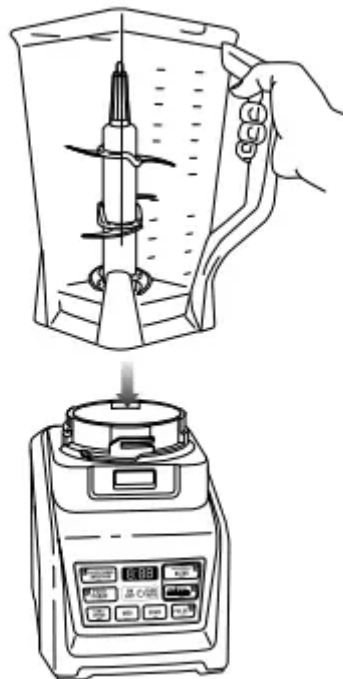
1. Place the motor base on a clean, dry, level surface such as a counter or tabletop.



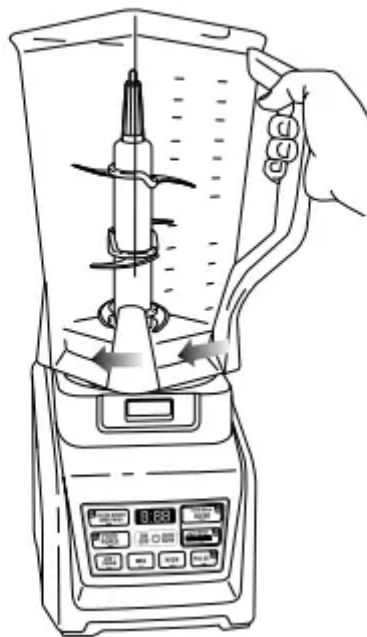
2. Holding the Stacked Blade Assembly by the top of the shaft, place it onto the drive gear inside the pitcher. Ensure that the Stacked Blade Assembly is seated properly and is standing upright.

NOTE: The Stacked Blade Assembly will fit loosely on the drive gear.

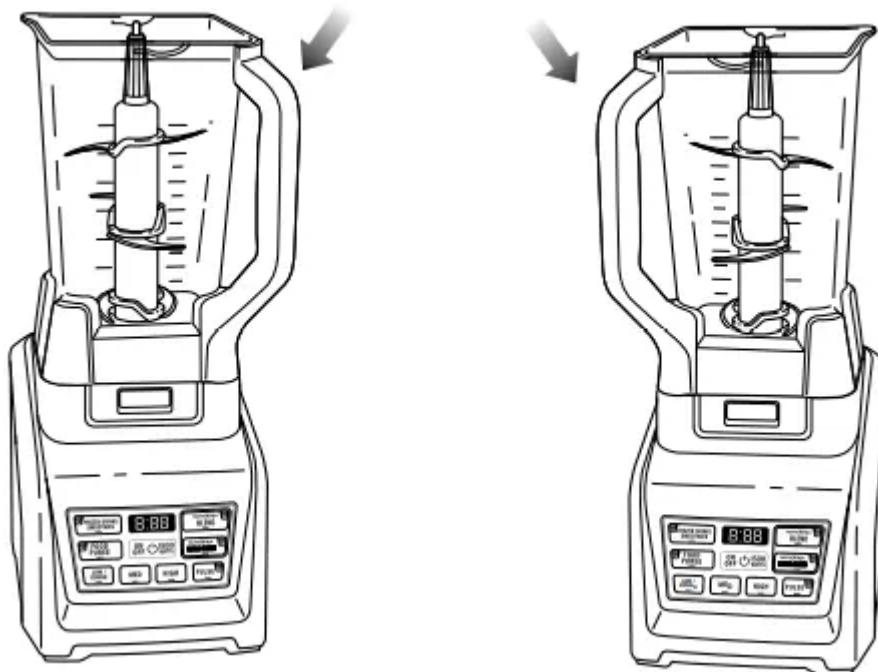
3. Place the motor base on a clean, dry, level surface such as a counter or tabletop



4. Align and lower the pitcher onto the motor base. Handle should be aligned slightly to the right of the LOCK symbol on the motor base.



5. Rotate the pitcher clockwise until it locks in place, you will hear a click when the lock is engaged

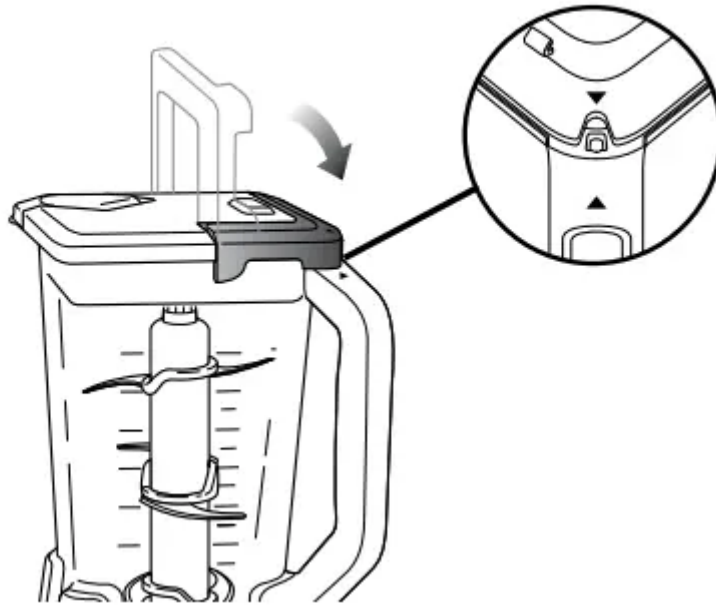


6. The pitcher can be placed on the motor base two ways; the handle can be on the front right corner or the front left corner.

7. Add the ingredients to the pitcher, making sure that they do not exceed the highest measured marking line on the side of the pitcher.

NOTE: When blending any kind of liquids, such as mixtures of any drinks or smoothies, do not exceed the MAX LIQUID mark (2 L) on the pitcher

NOTE: If you need to add additional ingredients while the appliance is processing, open the pour spout cap and pour the ingredients in through the opening.



8. Holding the lid by the handle in the upright position, place it on top of the pitcher aligning the triangle ▼ located on the lid with the triangle ▲ located on the pitcher's handle. Press the handle down until you hear a click. The triangles on the lid and the blender handle MUST be aligned in order for the blender to turn on.



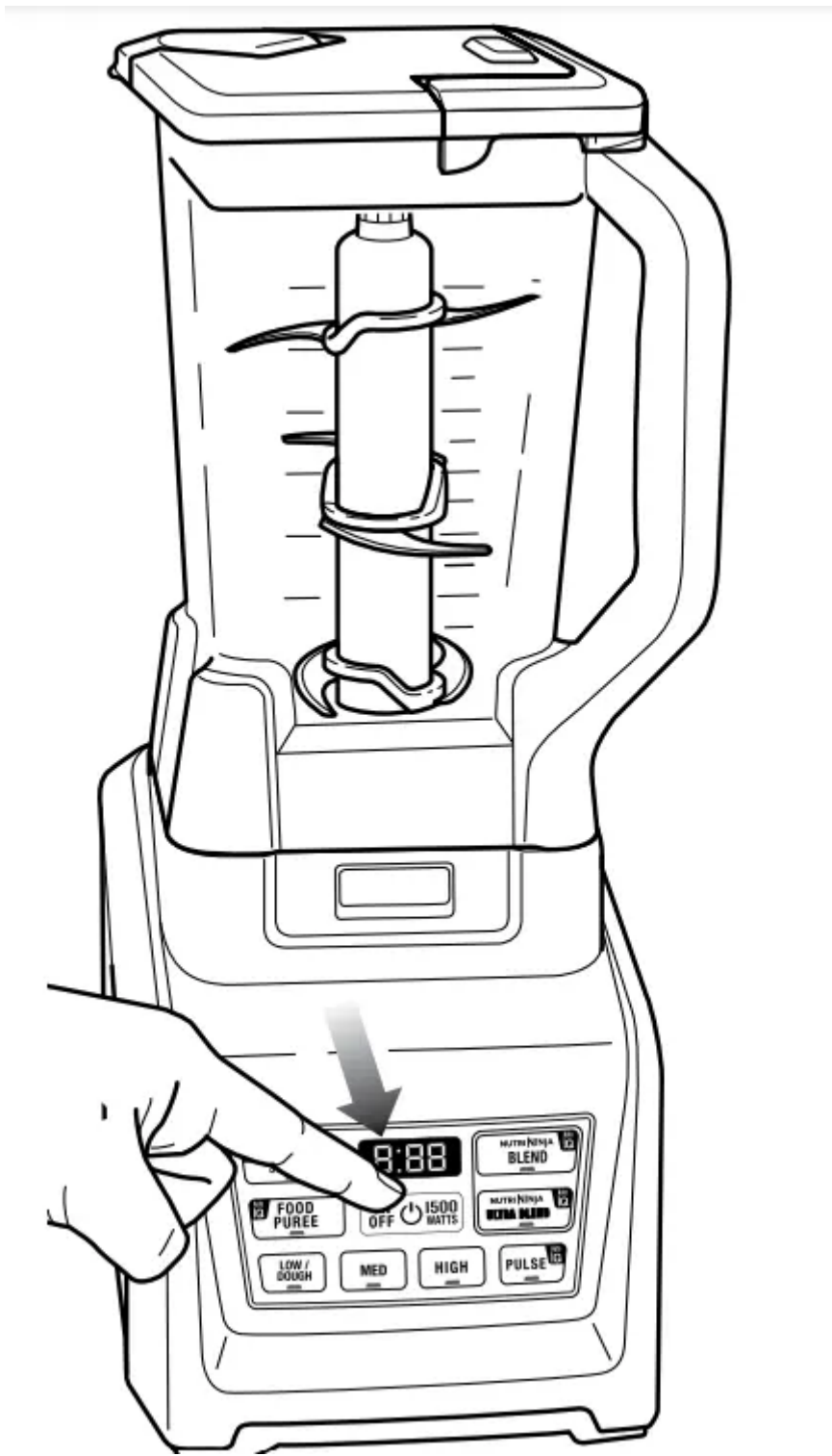
9. Plug the power cord into the electrical outlet and press the power button ( ).

**IMPORTANT:** As a safety feature, the power light will flash and the motor will not work if the pitcher and lid are not installed correctly. When the pitcher and lid are installed properly, the power light will be solid, indicating that the appliance is ready for use.



NOTE: Nutri Ninja | Ninja Blender System with Auto-iQ Technology can sense which jar is on the motor base. The available function lights will illuminate depending on which jar is placed on the motor base.

10. Review warning and caution statements at the top of page 4 before proceeding to number 12.

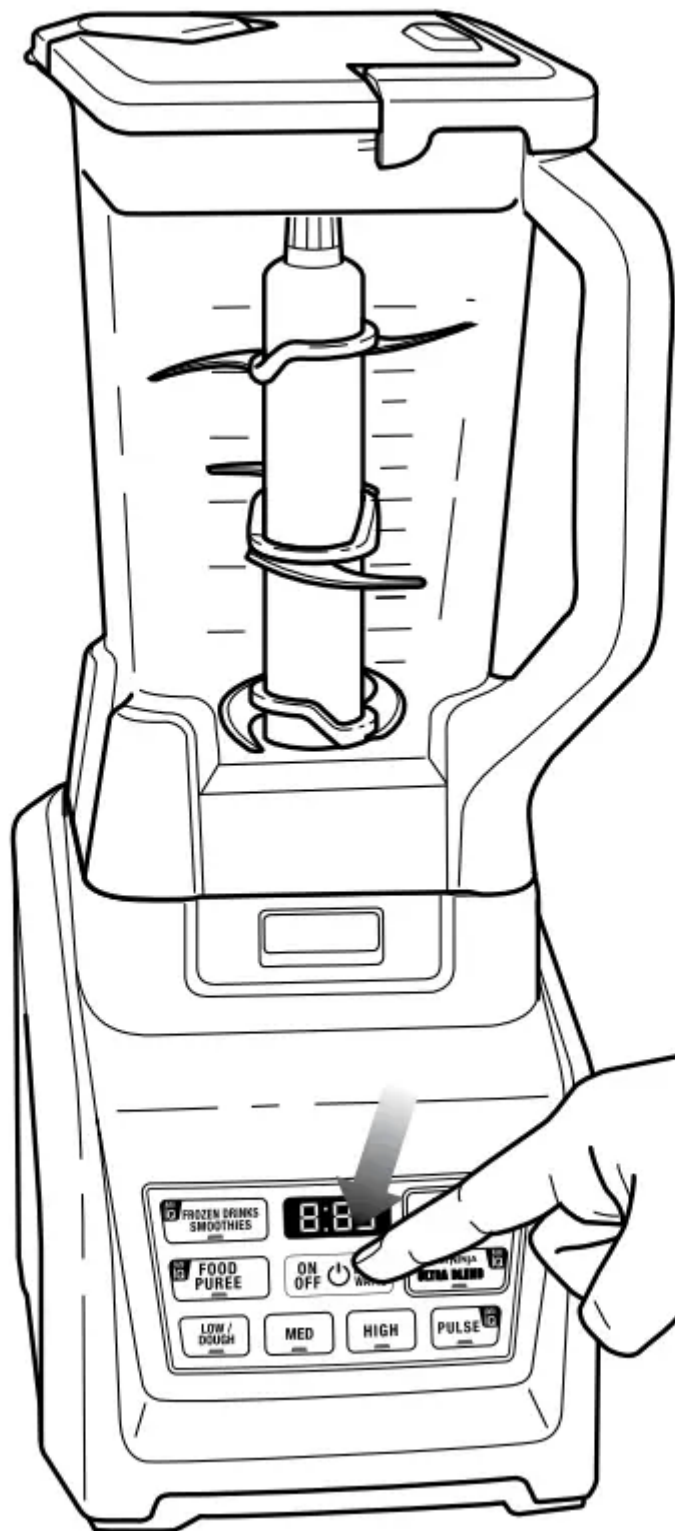


11. Press the power button to turn on the unit. Select the speed or Auto-iQ program that best suits your needs. The Auto-iQ program will stop the appliance automatically at the end of the program.

NOTE: Pulse ingredients for even chopping by holding the Auto-iQ PULSE button until your desired consistency is reached.

NOTE: Max PULSE iteration is 30 pulses. After 30 pulses allow 10 minutes to pass before running the PULSE function up to an additional 30 pulses.

12. To pause the appliance, press the selected speed or Auto-iQ program a second time. When the program is paused, the light on the program button will flash until you press it again to resume the rest of the program.

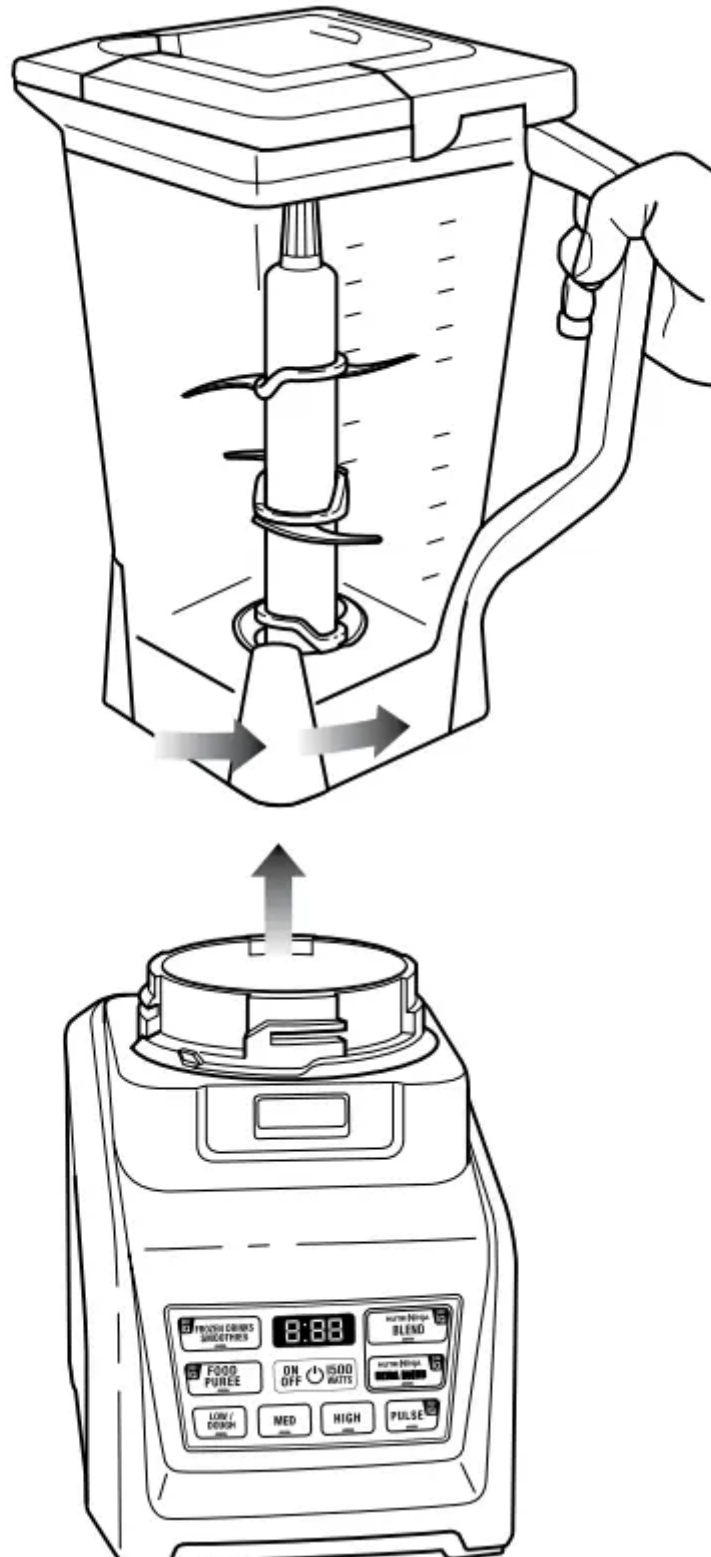


13. When you have reached your desired consistency, stop the appliance by pressing the



power

button and wait for the Stacked Blade Assembly to stop turning.



14. Turn the pitcher anticlockwise to remove and then lift off the base. CAUTION: Never insert your hands in the pitcher as the blades are sharp. Always use a spatula to dislodge food that has stuck to the sides of the pitcher.

15. Open the pour spout cap and use the spout to empty liquid contents.



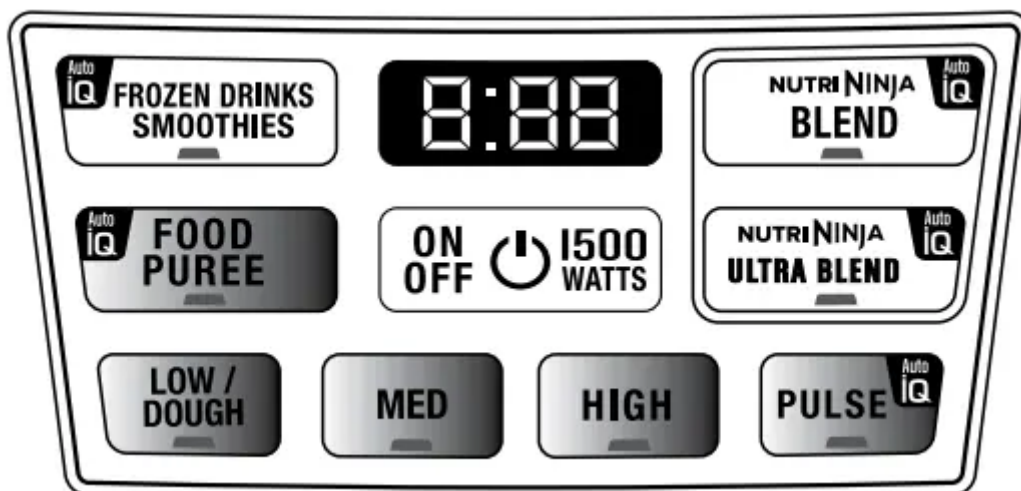
16. For thicker consistencies, first remove the lid by pressing the release button and pulling the lid handle up to a 90 degree angle to lift lid off the pitcher. Then, carefully remove the Stacked Blade Assembly by the top of the shaft. Place Stacked Blade Assembly away from the work area to avoid accidental contact. Finally, empty contents from the pitcher.

17. Make sure that the unit is unplugged when not in use.



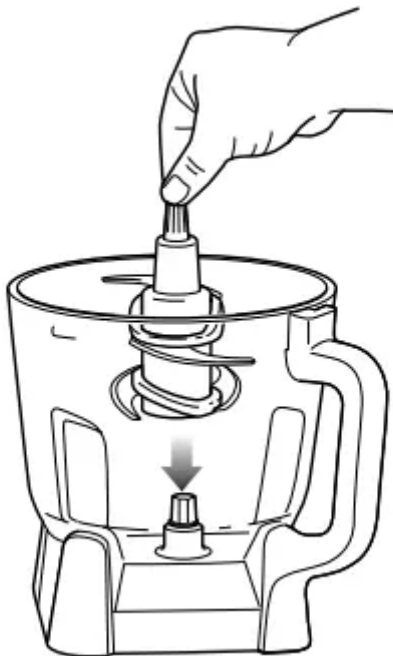
18. To release the motor base from the counter or tabletop, place your hands underneath both sides of the motor base and gently pull the unit up and towards you.

## USING THE NINJA PROCESSOR BOWL



NOTE: Nutri Ninja | Ninja Blender System with Auto-iQ Technology can sense which jar is on the motor base. The available function lights will illuminate depending on which jar is placed on the motor base.

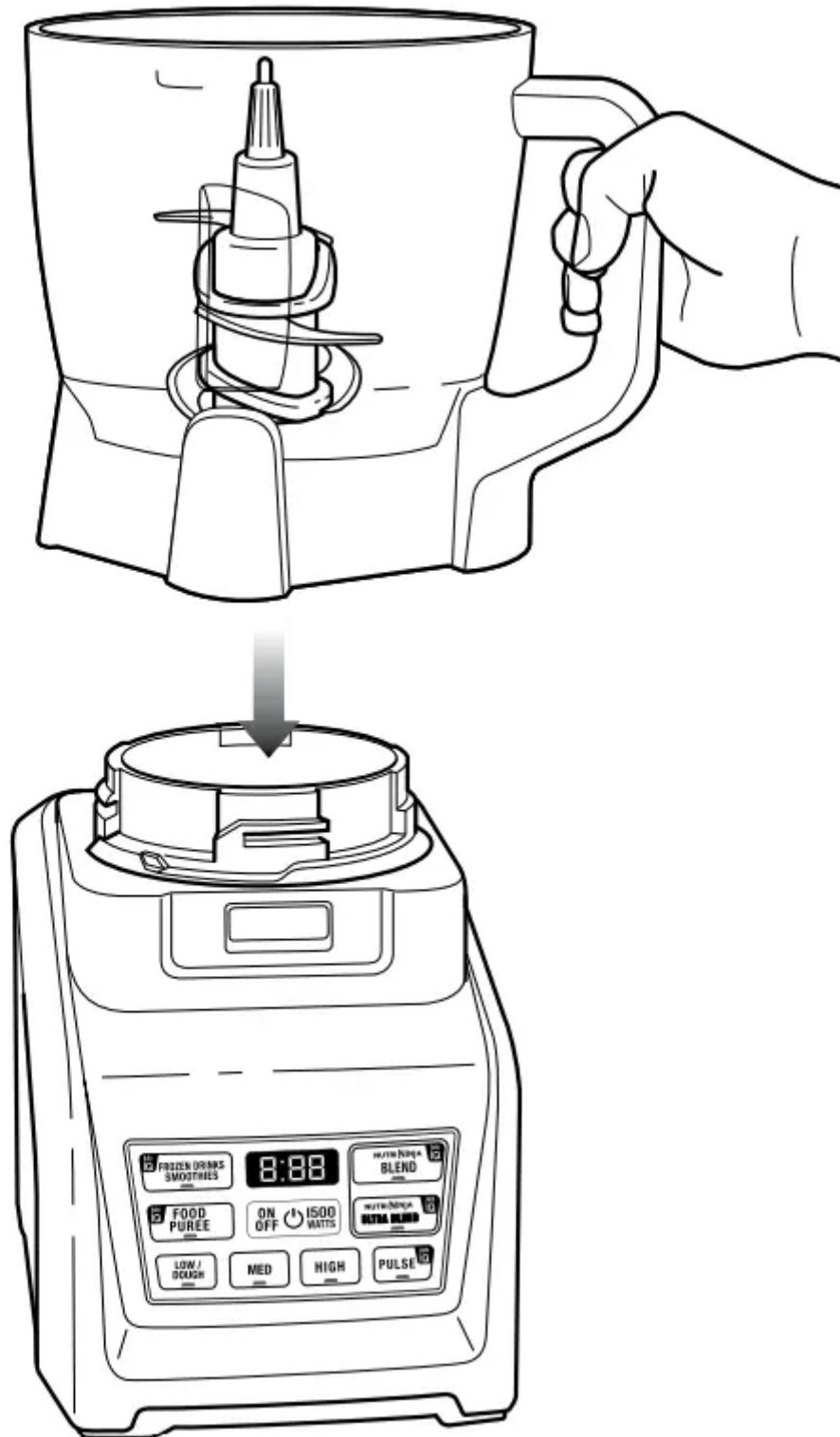
1. Place the motor base on a clean, dry, level surface such as a counter or tabletop.



2. Holding the desired blade by the top of the shaft, place it onto the drive gear inside the bowl. Ensure that the attachment is seated properly and is standing upright.

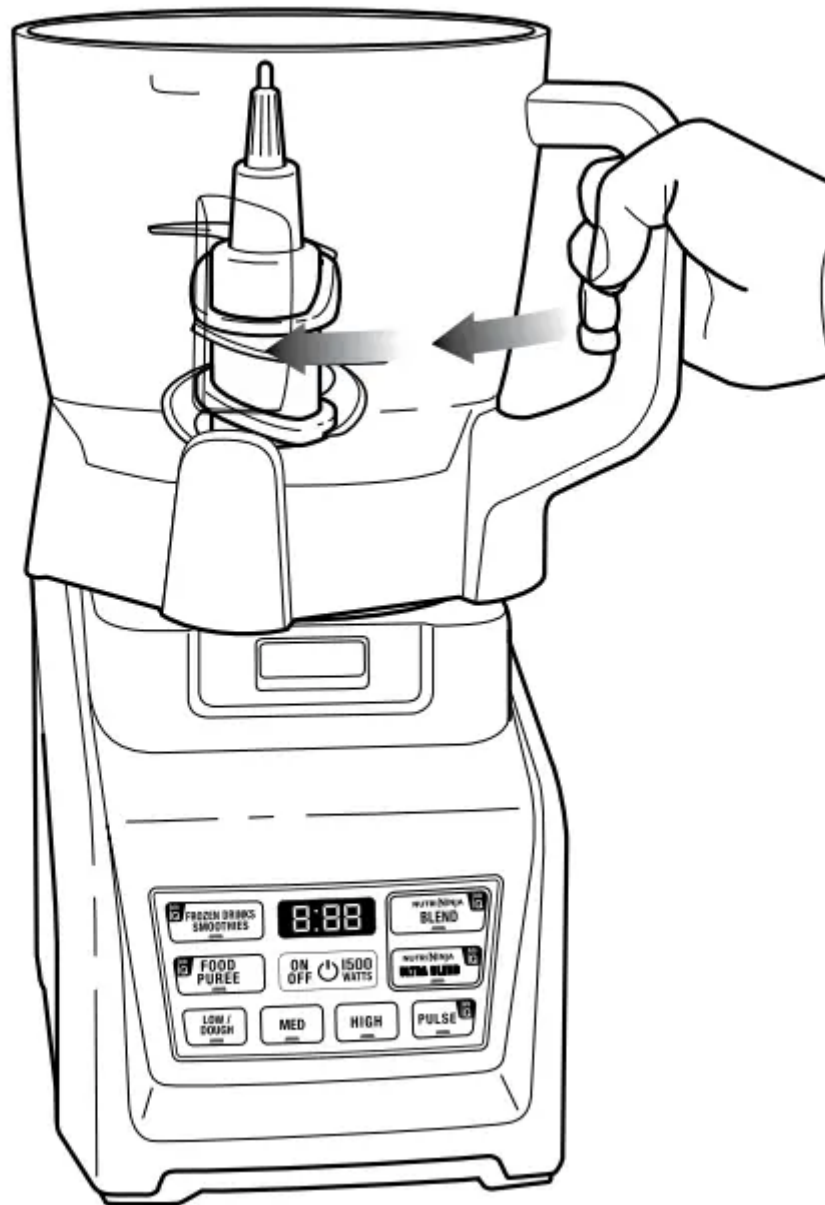
NOTE: The blade assembly will fit loosely on the drive gear.

3. Place the motor base on a clean, dry, level surface such as a counter or tabletop.



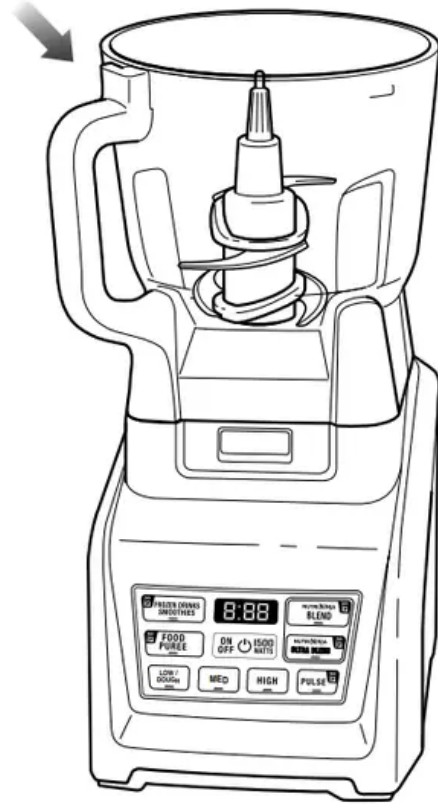
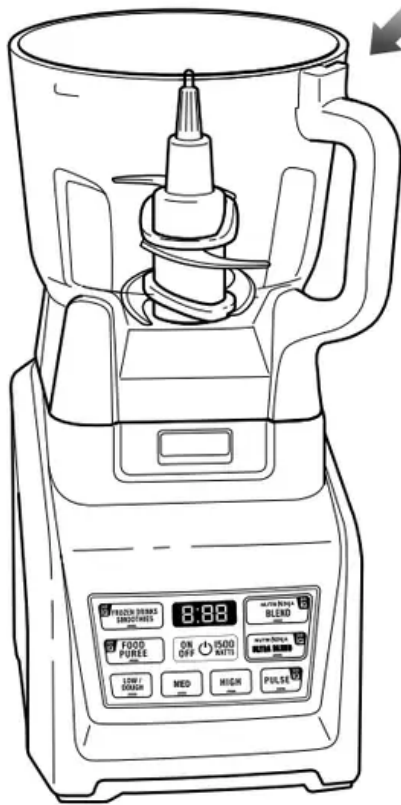
4. Align and lower the Processor Bowl onto the motor base. Handle should be aligned slightly to the right of the LOCK symbol on the motor base.





5. Rotate the bowl clockwise until it locks in place, you will hear a click when the lock is engaged.

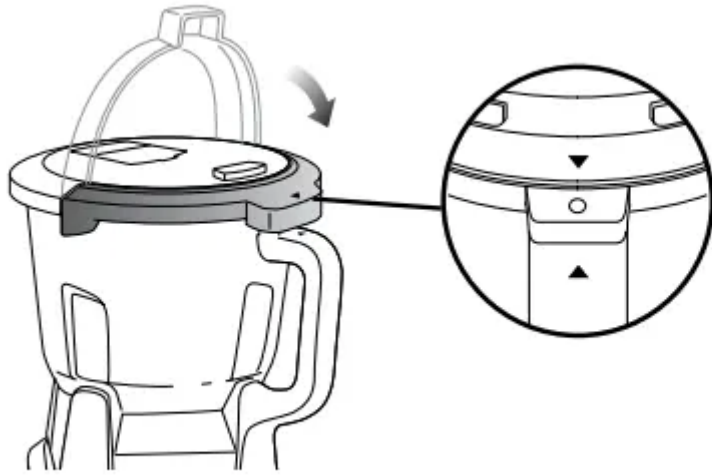




6. The bowl can be placed on the motor base two ways; the handle can be on the front right corner or the front left corner.


7. Add the ingredients to the bowl, making sure that they do not exceed the MAX fill line on the side of the bowl.

8. Holding the lid by the handle in the upright position, place it on top of the Processor Bowl aligning the triangle ▼ located on the lid with the triangle ▲ located on the Processor Bowl handle. Press the handle down until you hear a click. The triangles on the lid and the Processor Bowl handle **MUST** be aligned in order for the blender to turn on.



NOTE: The 1.8 L bowl is not intended for blending drinks. Do not overfill.

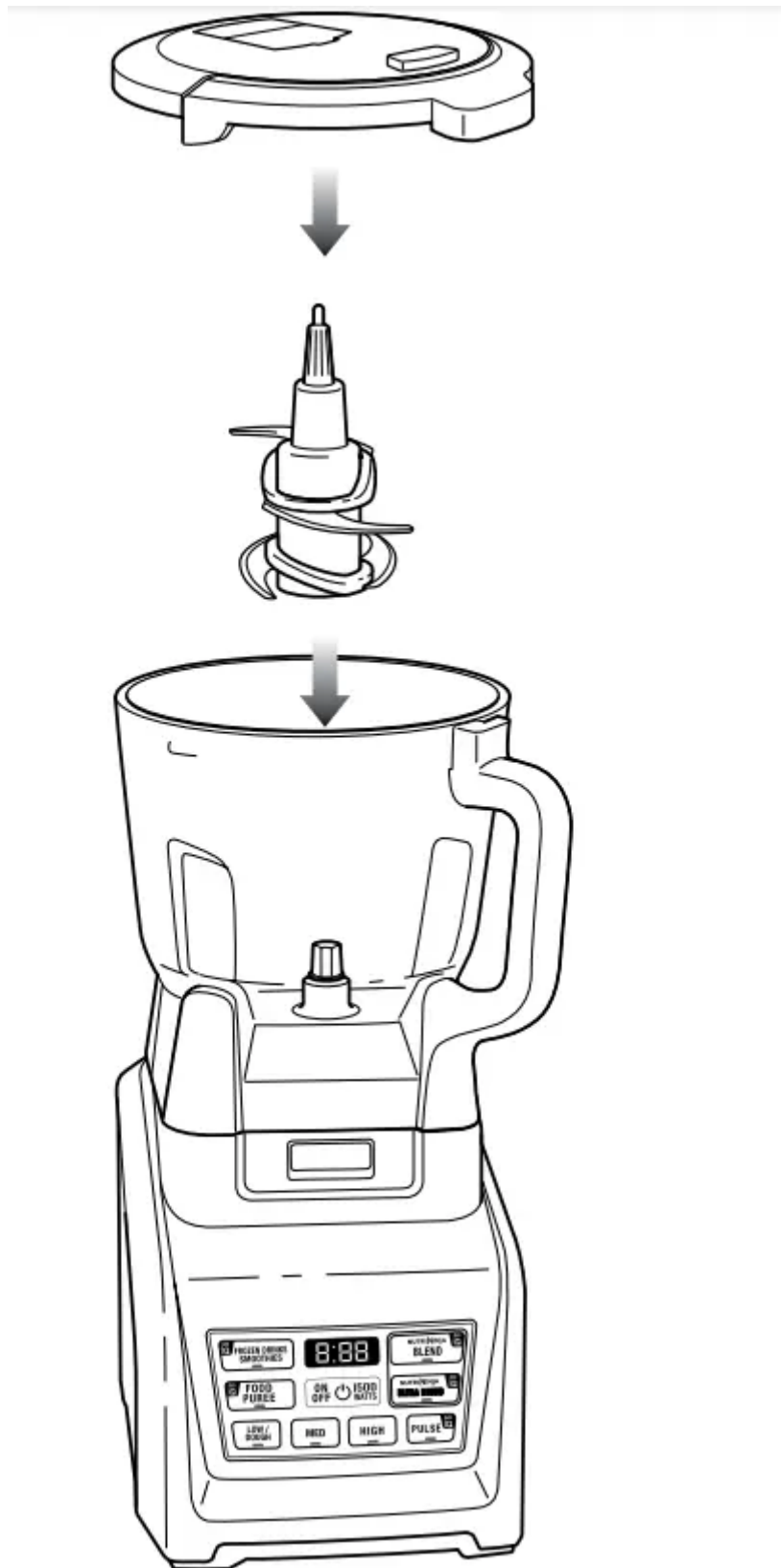
9. Plug the power cord into the electrical outlet and press the power button (  )

IMPORTANT: As a safety feature, the power button (  ) will flash and the motor will not work if the bowl and lid are not installed correctly. When the bowl and lid are installed properly, the

power button (  ) will be solid, indicating that the appliance is ready for use.

## USING THE CHOPPING BLADE ASSEMBLY

1. Holding the Chopping Blade Assembly assembly by the shaft, place it onto the gear shaft inside the bowl. Ensure that the Chopping Blade Assembly fits around the gear shaft and that it is standing straight



2 Add the ingredients and secure the bowl lid onto the bowl.

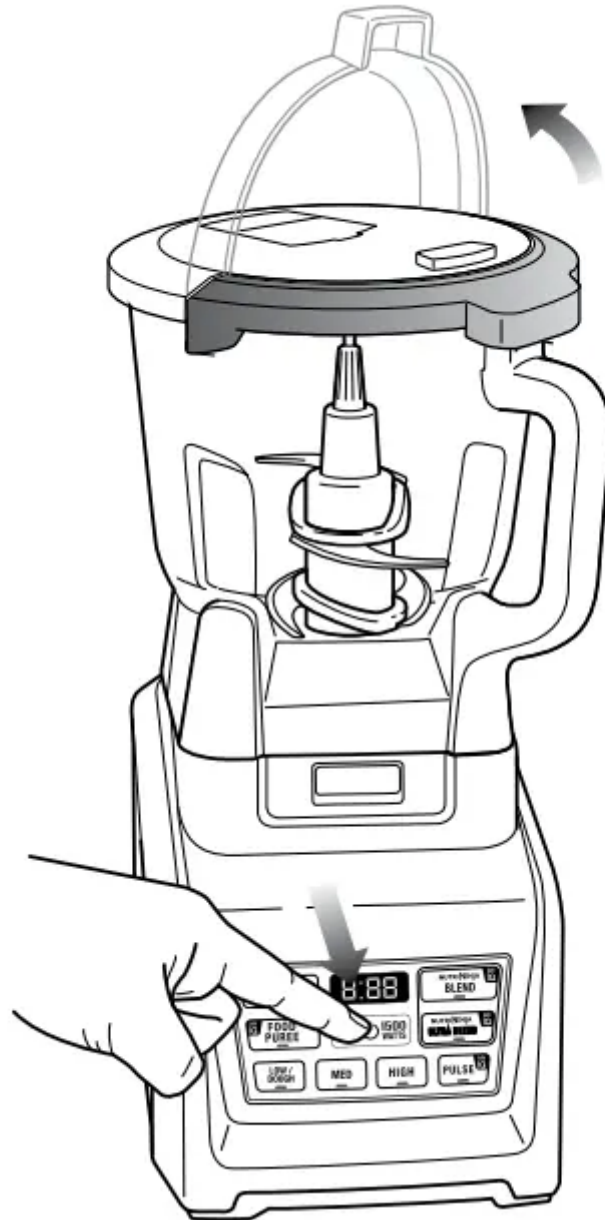
3. Plug the power cord into the electrical outlet and press on the power button



4. Select the speed or Auto-iQ program that best suits your needs. Pulse ingredients for even chopping by holding the Auto-iQ PULSE button until your desired consistency is reached

NOTE: Max PULSE iteration is 30 pulses. After 30 pulses allow 10 minutes to pass before running the PULSE function up to an additional 30 pulses.

NOTE: Please refer to “Speed Settings & Uses” chart for suggested uses and speeds

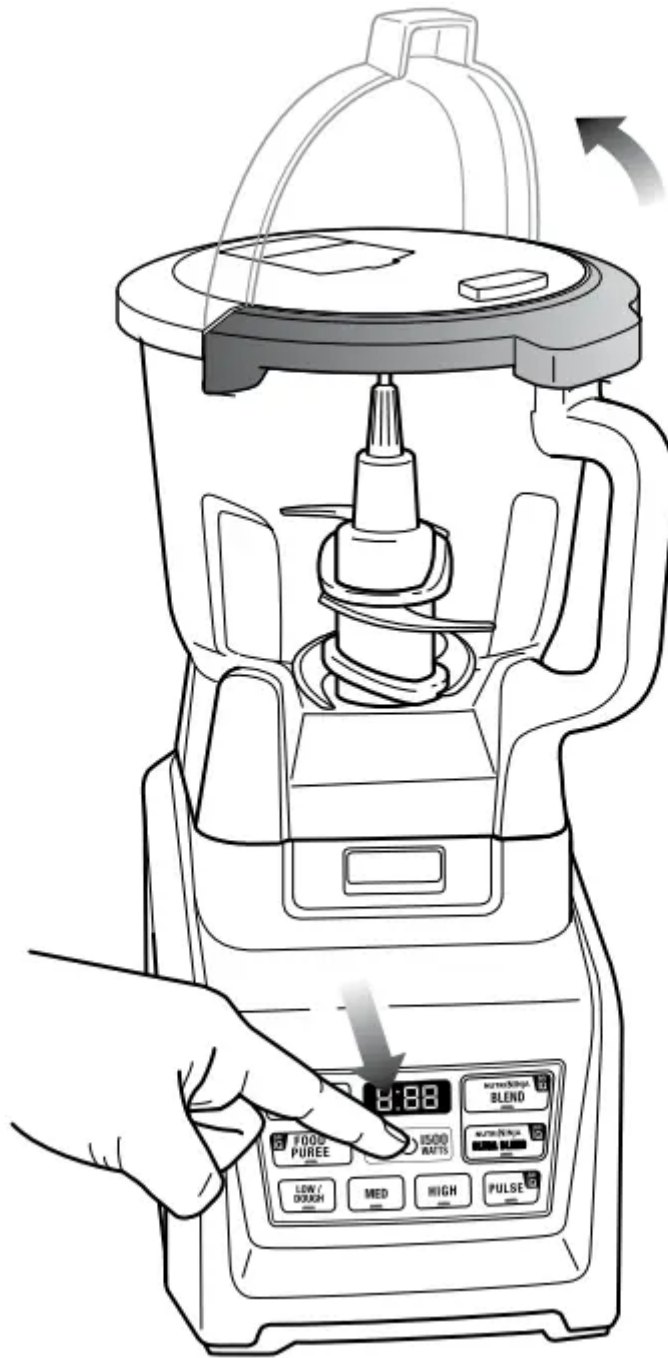


5. When you have reached your desired consistency, stop the appliance by pressing the

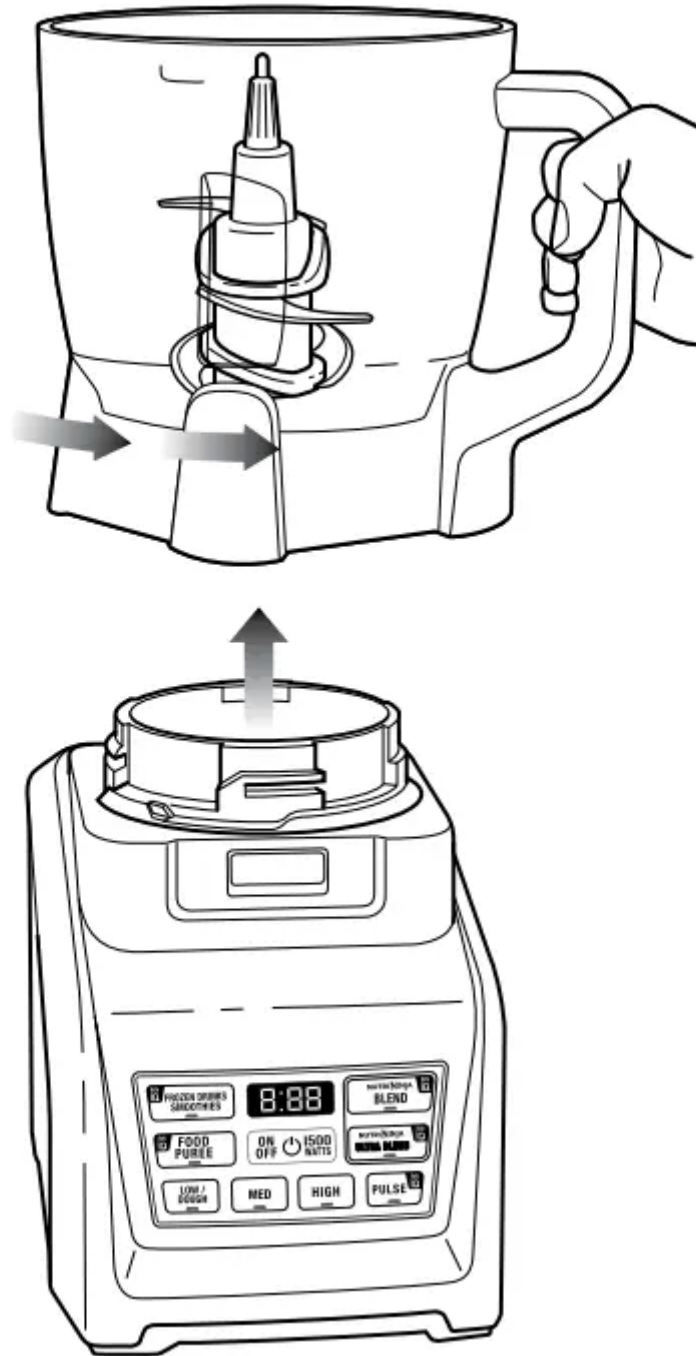


power

button and wait for the blade to stop turning.



6. To remove the lid, press the release button on the lid and pull the lid handle up to a 90 degree angle.

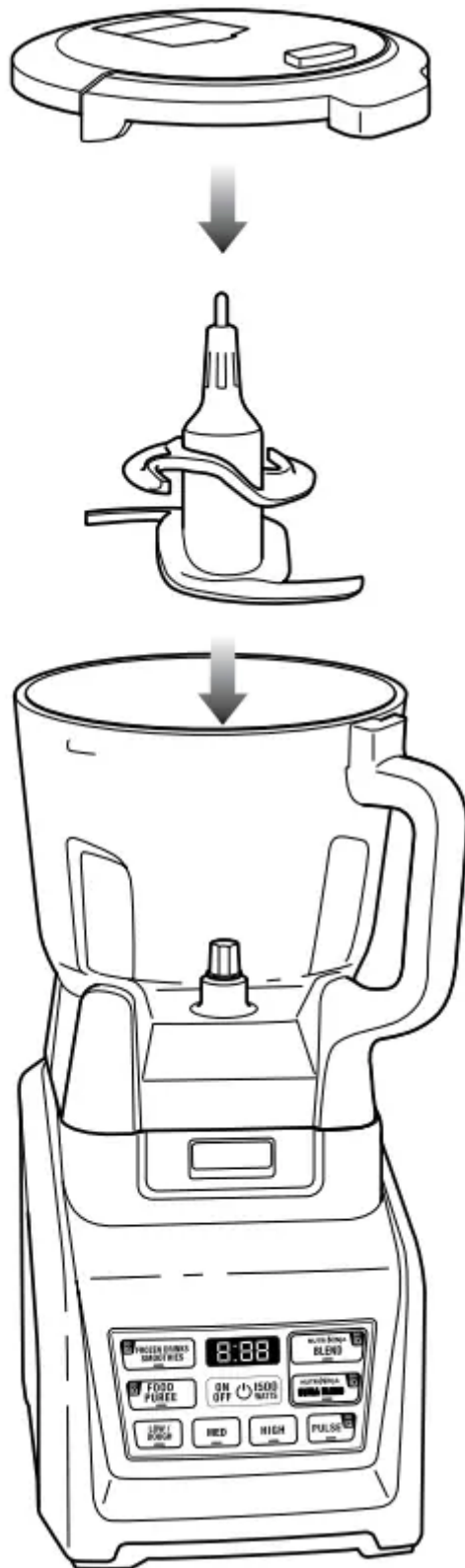


7. Turn the bowl anticlockwise and lift it to remove it from the motor base.



8. To release the motor base from the counter or tabletop, place your hands underneath both sides of the motor base and gently pull the unit up and towards you.

## USING THE DOUGH BLADE ASSEMBLY



- 1 Holding the Dough Blade Assembly by the shaft, place it onto the gear shaft inside the bowl. Ensure that the Dough Blade Assembly fits around the gear shaft and that it is standing straight.
2. Add the ingredients and secure the bowl lid onto the bowl.

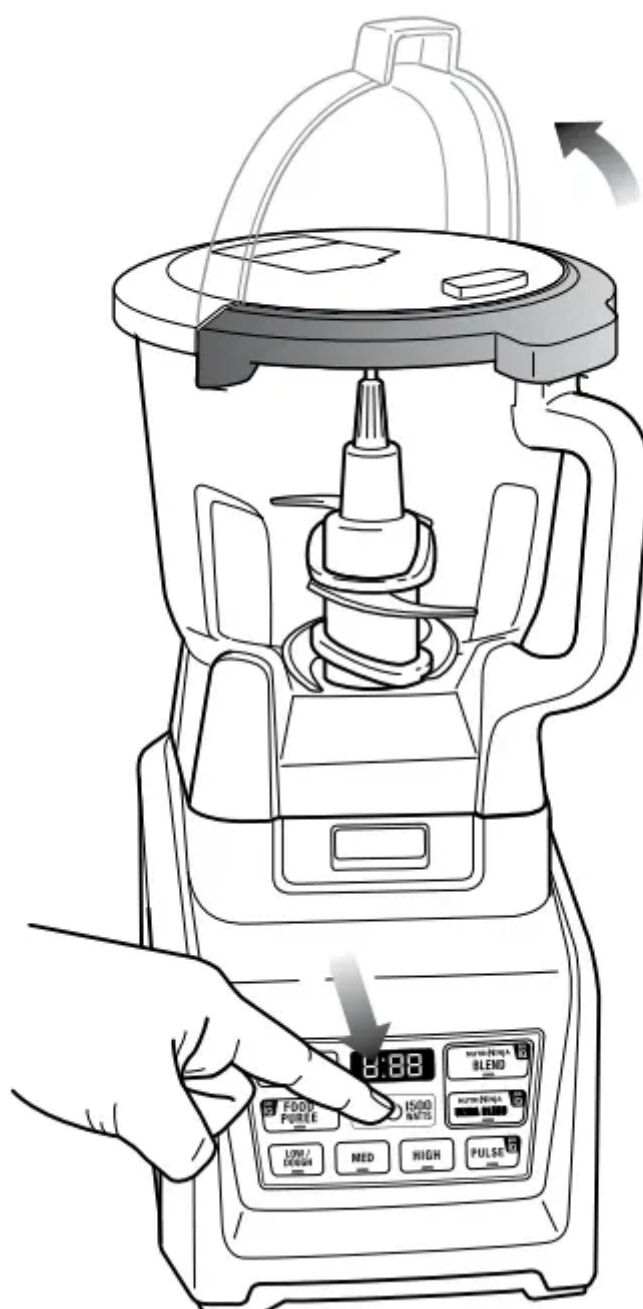


3. Plug the power cord into the electrical outlet and press on the power button  
Select the LOW/DOUGH button and process until ingredients come together to form a mass.

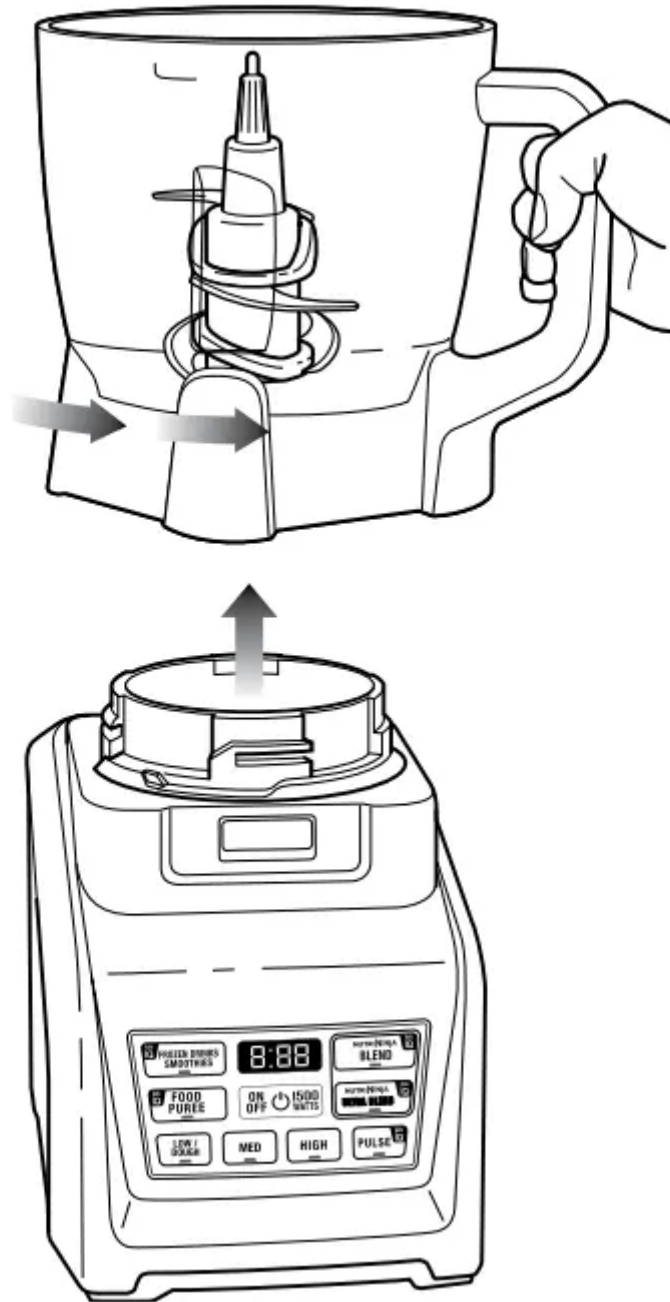
NOTE: Please refer to “Speed Settings & Uses” chart for suggested uses and speeds.



4. Once finished making dough, stop the appliance by pressing the power button and wait for the blade to stop turning.



5. To remove the lid, press the release button on the lid and pull the lid handle up to a 90 degree angle.



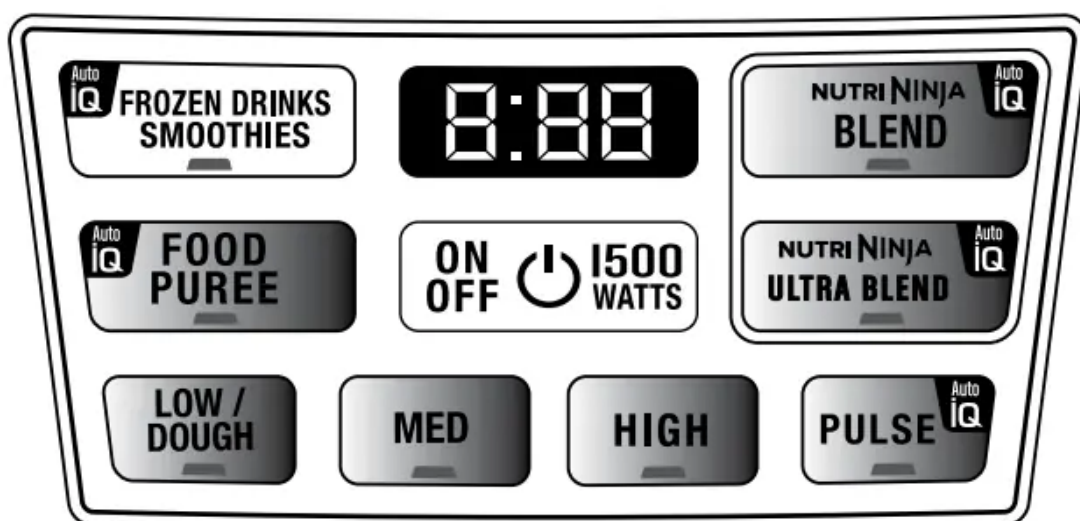
6. Turn the bowl anticlockwise and lift it to remove it from the motor base.



7. To release the motor base from the counter or tabletop, place your hands underneath both sides of the motor base and gently pull the unit up and towards you.

## USING THE NUTRI NINJA CUPS

**IMPORTANT:** When processing soft dry ingredients such as day-old bread or cheese use quick, short 1 second pulses. Do not overfill to avoid overheating the appliance. Allow the appliance to cool after each use.

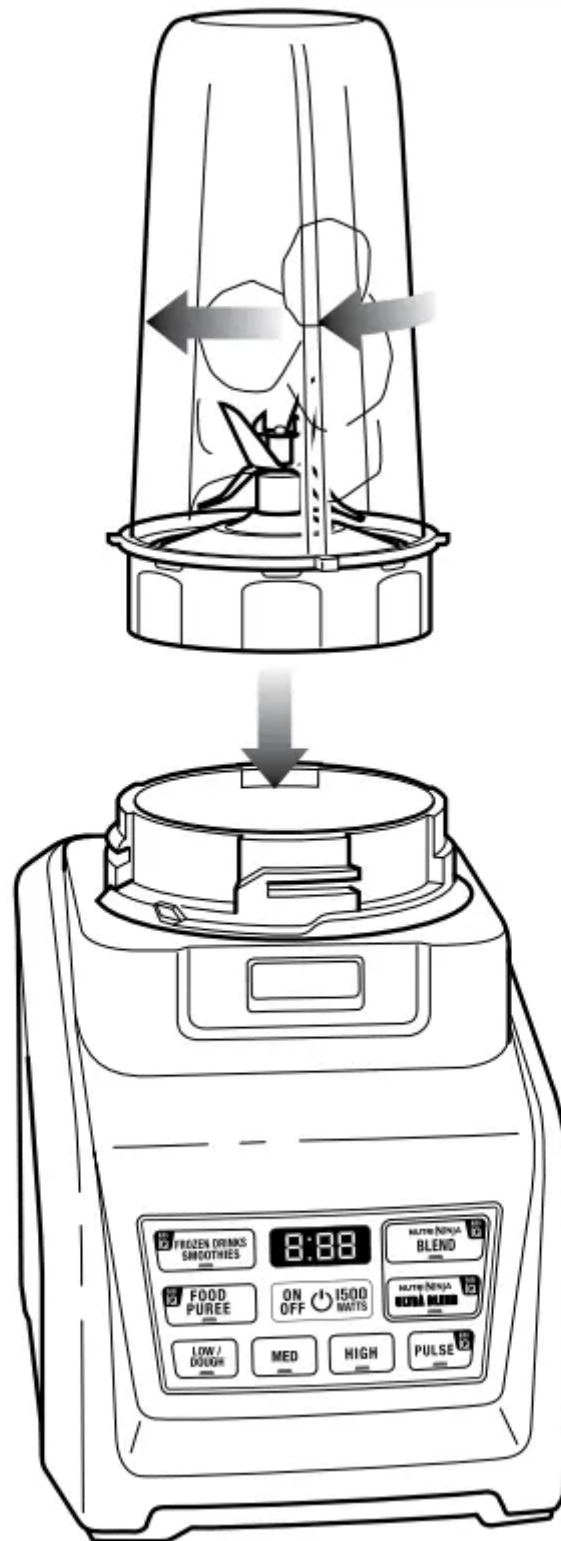


NOTE: Nutri Ninja | Ninja Blender Duo with Auto-iQ Technology can sense which jar is on the motor base. The available function lights will illuminate depending on which jar is placed on the motor base.

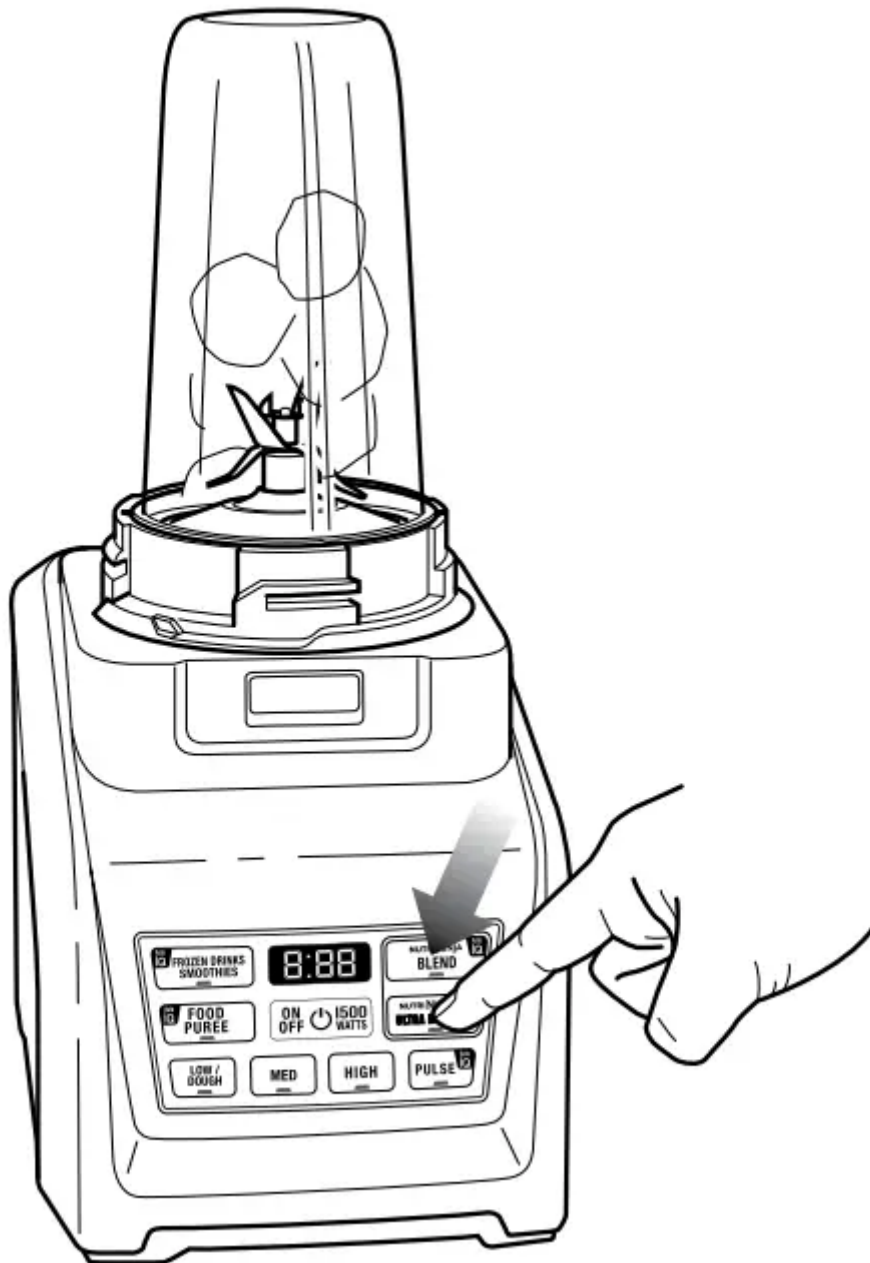
1. Place the motor base on a clean, dry, level surface such as a counter or tabletop. Press down on the motor base to make sure that the suction cups adhere to the counter or tabletop.
2. Add ingredients to the Nutri Ninja Cup.



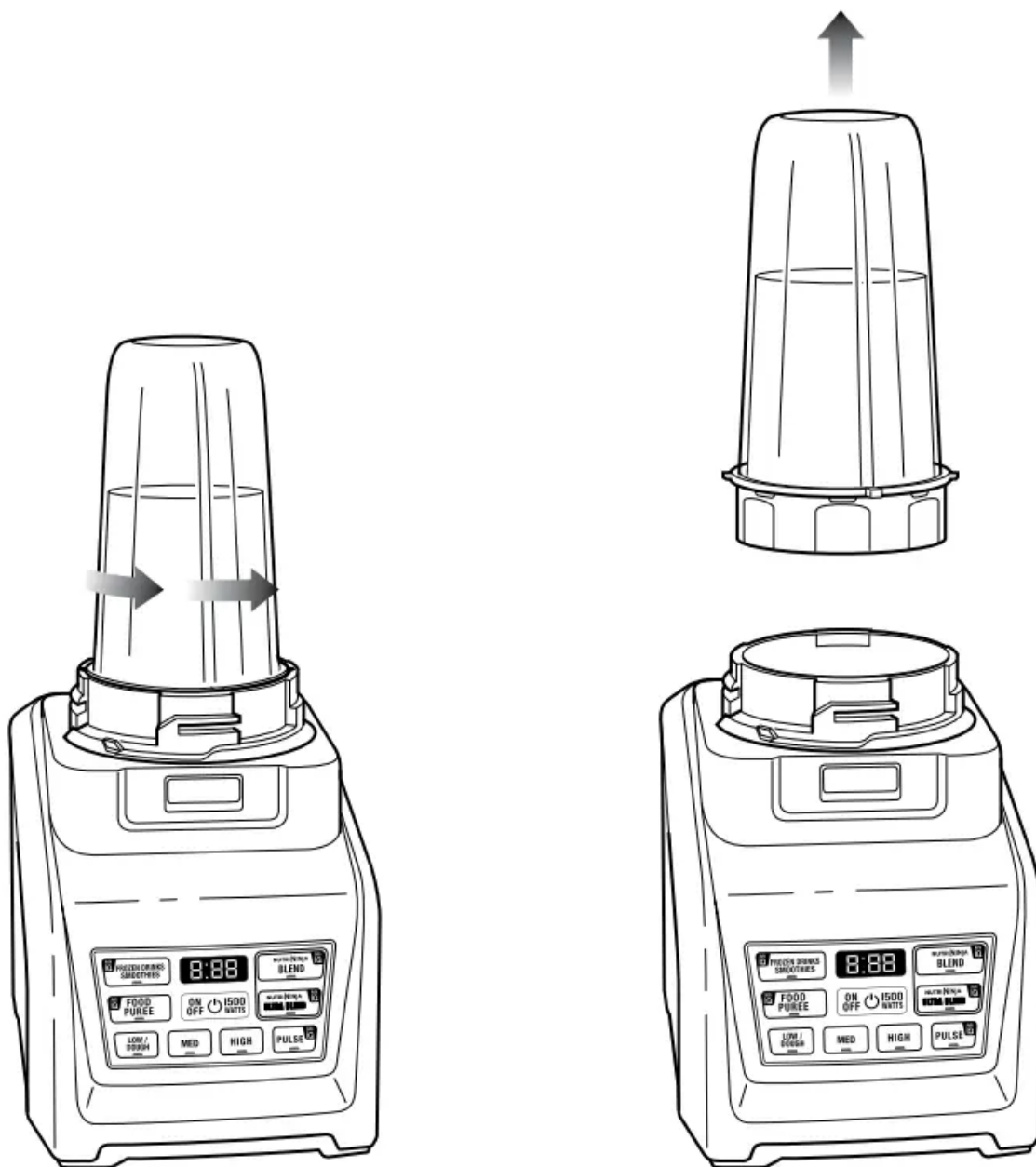
3. Place the Pro Extractor Blades Assembly onto the cup and tightly screw it on clockwise until you have a good seal.



4. Turn the Nutri Ninja Cup upside down and place it onto the motor base, aligning the tabs on the cup with the motor base. Rotate the Nutri Ninja Cup clockwise until it locks in place, you will hear a click when the lock is engaged.



5. Press the power button on, and select the speed or Auto-iQ program that suits your needs. The Auto-iQ program will stop the appliance automatically at the end of the program.
6. To pause the appliance, press the selected speed or Auto-iQ program a second time. When the program is paused, the light on the program button will flash until you press it again to resume the rest of the program.



7. Once you have reached your desired consistency, stop the appliance by pressing the power button and wait for the Pro Extractor Blades Assembly to stop turning. Turn the Nutri Ninja Cup anticlockwise and pull straight up to remove.

NOTE: Do not overfill. To avoid spilling, do not add ingredients past the MAX fill line.



8. Turn the cup upright and remove the Pro Extractor Blades Assembly by twisting the Pro Extractor Blades Assembly anticlockwise.
9. Do not store blended contents with the Pro Extractor Blades attached attached.
10. Place the Sip & Seal Lid or the spout lid onto the Nutri Ninja Cup, twist to seal and enjoy.
11. Do not store blended contents with the Pro Extractor Blades attached attached. NOTE: Do not overfill. To avoid spilling, do not add ingredients past the MAX fill line.
12. Place the Sip & Seal Lid or the spout lid onto the Nutri Ninja Cup, twist to seal and enjoy.
13. For storage, use Sip & Seal Lid or spout lid to cover.
14. Be sure to store the Pro Extractor Blades attached to an empty cup when not in use.
15. Make sure that the motor base is unplugged when not in use.
16. To release the motor base from the counter or tabletop, place your hands underneath both sides of the motor base and gently pull the unit up and towards you.

# CARE & MAINTENANCE

## CLEANING

- CAUTION: Make sure that the motor base is unplugged from the power source before inserting or removing any attachment and before cleaning.
- CAUTION: DO NOT immerse the motor base into water or any other liquid.
- Separate all parts. Wash bowl in warm, soapy water with a soft cloth
- Hand-Washing
  - Wash the containers, lids, blade assemblies and attachments in warm, soapy water. When washing the blade assemblies, use a dish-washing utensil with a handle to avoid direct hand contact with blades. Handle blade assemblies with care to avoid contact with sharp edges. Rinse and air dry thoroughly
- Dishwasher: The containers, lids, blade assemblies and attachments are all dishwasher safe. The lids and blade assemblies are top rack dishwasher safe. Ensure that the blade assemblies are removed from the containers before placing in the dishwasher.
- WARNING: Handle the blade assemblies with care when washing, as the blades are sharp. Contact with the blades' edges can result in laceration.
- Wipe the motor base clean with a damp cloth
- If the appliance needs servicing please call customer care at AU 02 8801 7666 or NZ 0800 112 660

## STORING

1. Store the Nutri Ninja | Ninja Blender Duo with Auto-iQ Technology upright with the blade assembly inside the corresponding container with the lid secured on top. Do not place anything on top. Store the rest of the attachments in a safe place where they will not be damaged and won't cause harm. Loosely wrap the power cord around the motor base

NOTE: Do not store blended or unblended ingredients in the Nutri Ninja Cup with the blade assembly attached.

## RESETTING THE MOTOR THERMOSTAT

Store the Nutri Ninja | Ninja Blender System with Auto-iQ Technology features a unique safety system which prevents damage to the unit's motor and drive system should you inadvertently overload your appliance. If the appliance is being overloaded, the motor will stop. Allow the appliance to cool for approximately 15 minutes. To reset the appliance, follow the resetting procedure below:

1. Unplug the appliance from the electrical outlet.

2. Remove and empty the container and ensure that no food is jamming the blade assembly.
3. Allow the appliance to cool for approximately 15 minutes.
4. Re-install the container onto the base and re-plug the appliance into the electrical outlet.
5. Proceed to use the appliance as before making sure not to exceed the recommended maximum capacities.

## TROUBLESHOOTING GUIDE

**WARNING:** To reduce the risk of shock and unintended operation, turn power off and unplug unit before troubleshooting.

### 1. Motor Doesn't Start or Blade Assembly Doesn't Rotate.

- Make sure the container is securely locked into the motor base.
- Make sure the lid is securely on container in the correct position (align arrows).

•



The appliance is turned Off. Press the power button to turn On.

- Check that the plug is securely inserted into the electrical outlet.
- Check the fuse or circuit breaker.
- The unit has overloaded. The appliance will stop and the power light will flash. Unplug and wait approximately 15 minutes before using again.
- The unit has overheated. Unplug and wait approximately 15 minutes before using again.
- Check to make sure the unit is not overloaded.

### 2. Food is Unevenly Chopped.

- Either you are chopping too much food at one time, or the pieces are not of even size and processing smaller amounts per batch.

### 3. Food is Chopped Too Fine or is Too Watery.

- The food has been over processed. Use Auto-iQ PULSE button for controlled processing.

### 4. Food Collects On Lid or On the Sides of the Container.

- The mixture is too thick. Add more liquid.

### 5. You Cannot Achieve Snow From Solid Ice.

- Do not use ice that has been sitting out or has started to melt. Use ice straight from the freezer. Start with a few pulses and then go to a continuous blending cycle.

6. You Cannot Achieve Snow From Solid Ice.

- Do not use ice that has been sitting out or has started to melt. Use ice straight from the freezer. Start with a few pulses and then go to a continuous blending cycle.

7. Motor Base Won't Stick to Counter or Tabletop.

- Make sure surface and suction feet are wiped clean. Suction feet will only stick to smooth surfaces. Suction feet WILL NOT stick on some surfaces such as, wood, tile and non-polished finishes.
- DO NOT attempt to use appliance when the motor base is stuck to a surface that is not secure, (cutting board, platter, plates, etc.).

8. You get an "Err" Message.

- Your unit is able to detect which jar is on the base. You may be trying to use a program that is not designed for the jar you have installed. The programs will light up indicating which programs are available for each jar.

9. You have a blinking red light.

- The unit is not installed properly. For your safety the unit will only be able to be turned on when it is properly assembled. Please refer to the assembly pages of this inspiration guide for assistance.

**Warning**

This content is compiled from multiple sources and is provided for reference purposes only. It may not be complete or fully applicable to all situations. If you are unable to resolve your issue, please contact the product manufacturer or an authorized service provider for official support.