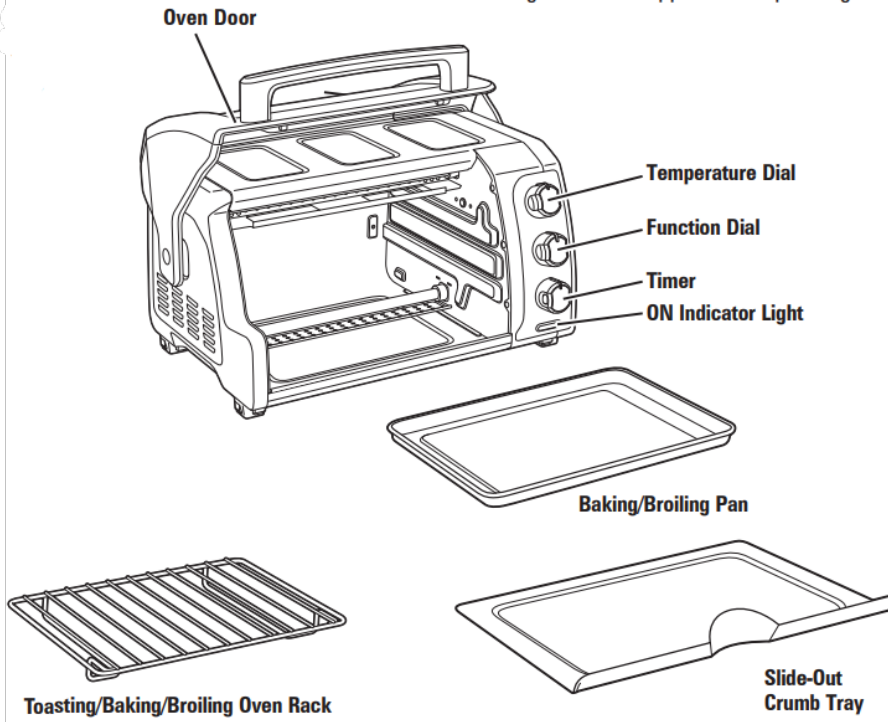
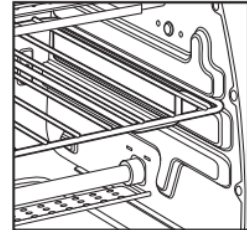


Parts and Features

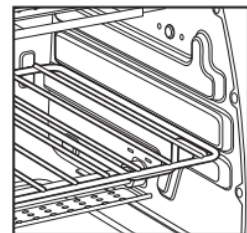
 **CAUTION: HOT SURFACE.** The temperature of accessible surfaces may be high when the appliance is operating.



HIGH RACK POSITION:
Toasting and broiling



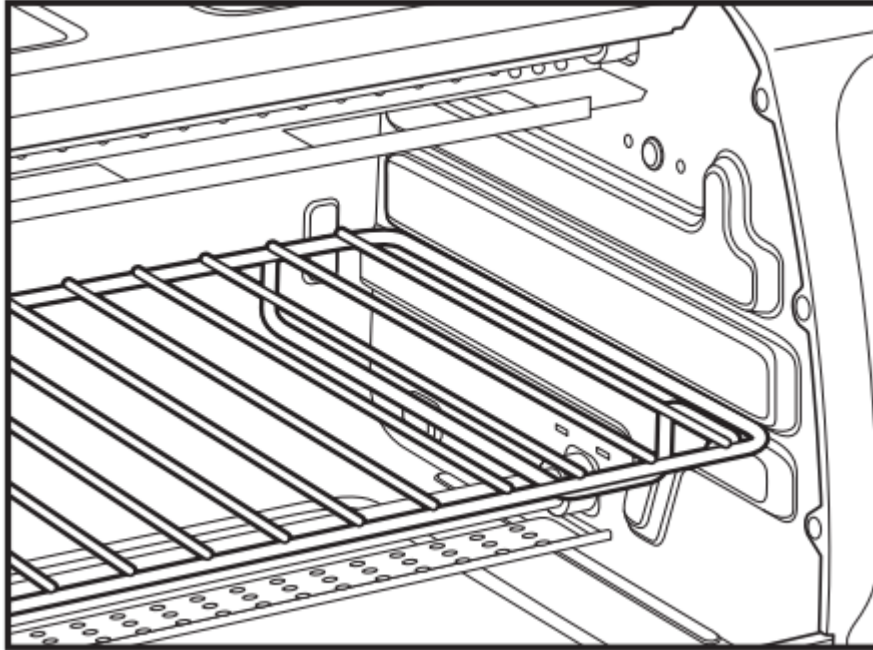
LOW RACK POSITION:
Baking



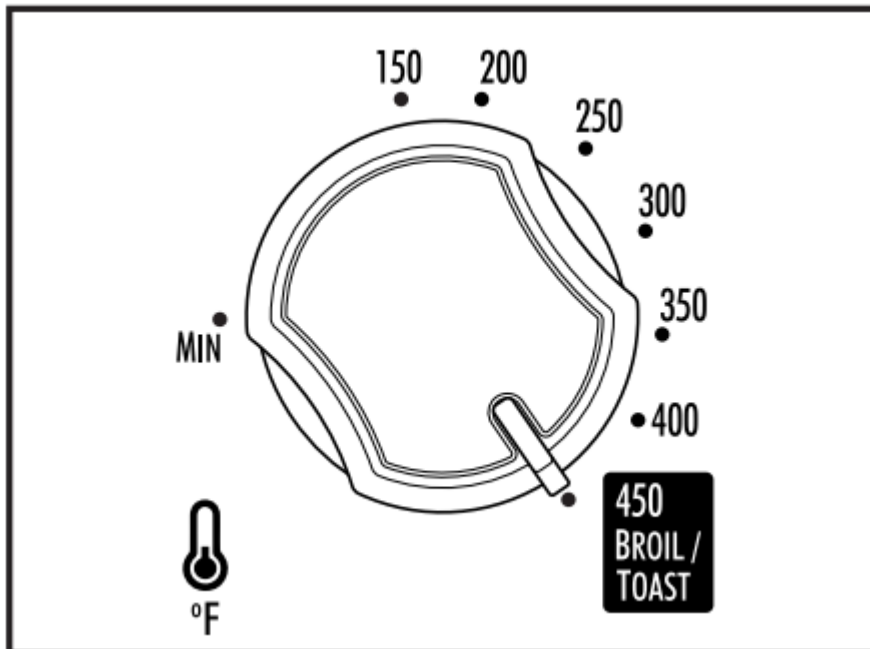
How to Toast

WARNING: If contents ignite, do not open oven door. Unplug oven and allow contents to stop burning and cool before opening door.

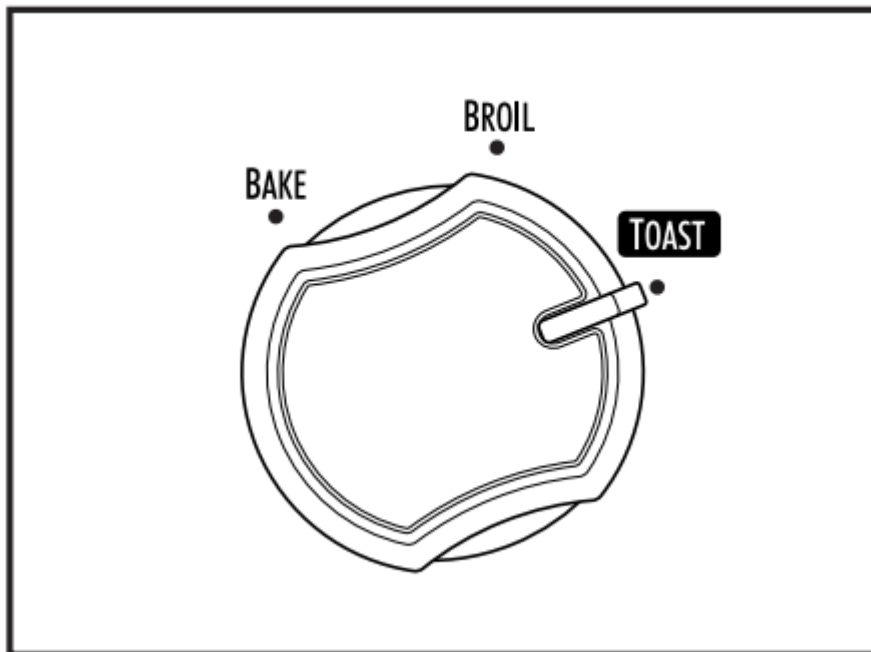
1. Plug in Toaster Oven. Place Oven Rack in LOW RACK POSITION (shown) for toast, English muffins, bagels, and waffles.



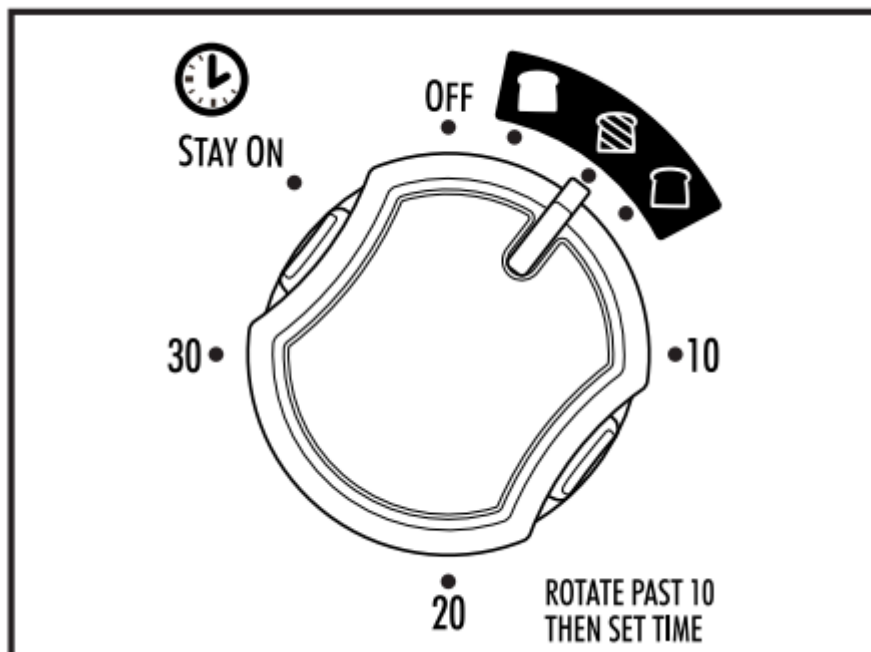
2. Turn Temperature Dial to maximum temperature. Place food in oven.



3. Turn Function Dial to TOAST.



4. Rotate Timer past 10 and then back to desired toast color. A bell will sound when the toast cycle is complete. Unplug.



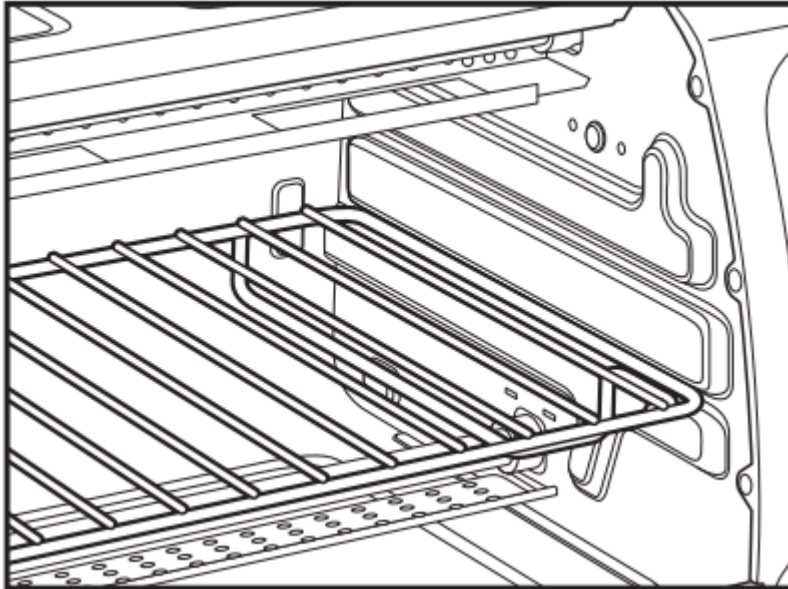
How to Bake

WARNING Fire Hazard.

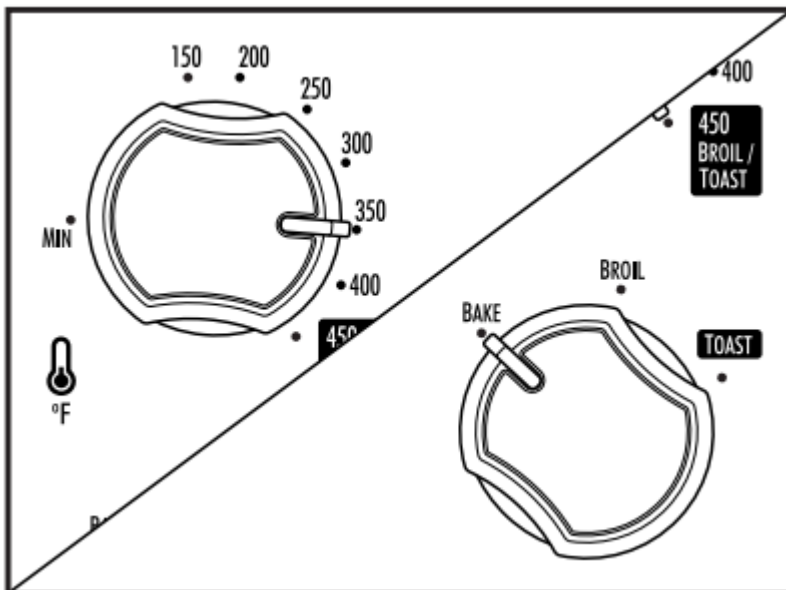
- If contents ignite, do not open oven door. Unplug oven and allow contents to stop burning and cool before opening door.
- Do not use oven cooking bags.

- Do not operate with door open or removed.
- Always allow at least 1 inch (2.5 cm) between food and heating element.
- Always unplug Toaster Oven when not in use

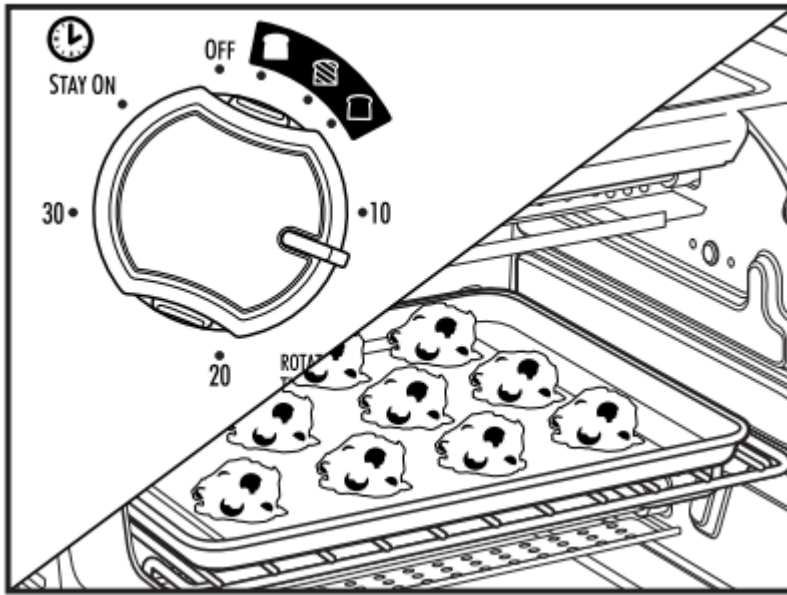
1. Plug in Toaster Oven. Place Oven Rack on LOW RACK POSITION (shown).



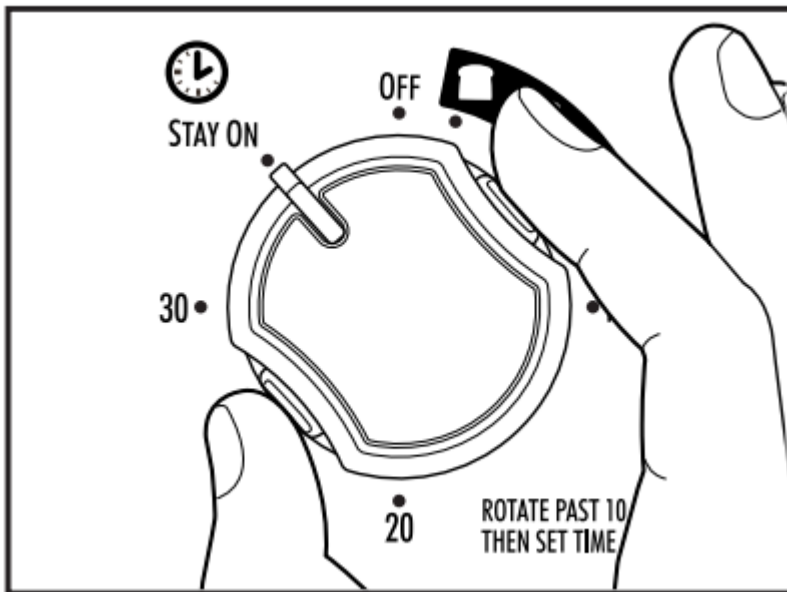
2. Turn Temperature Dial to desired temperature; then turn Function Dial to BAKE.




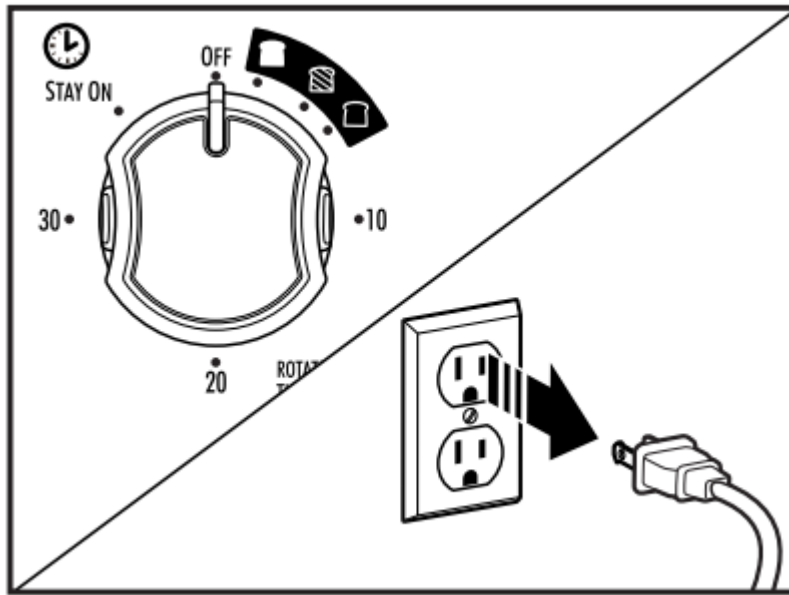
3. Rotate Timer past 10 and let oven preheat for 5 minutes before placing the baking pan on the oven rack.



4. Set Timer to desired time by rotating Timer past 10 and then to desired baking time. Or, rotate Timer to STAY ON while pressing in and holding the buttons on the side of the dial.



5. When finished, turn Timer to  (OFF) and unplug.

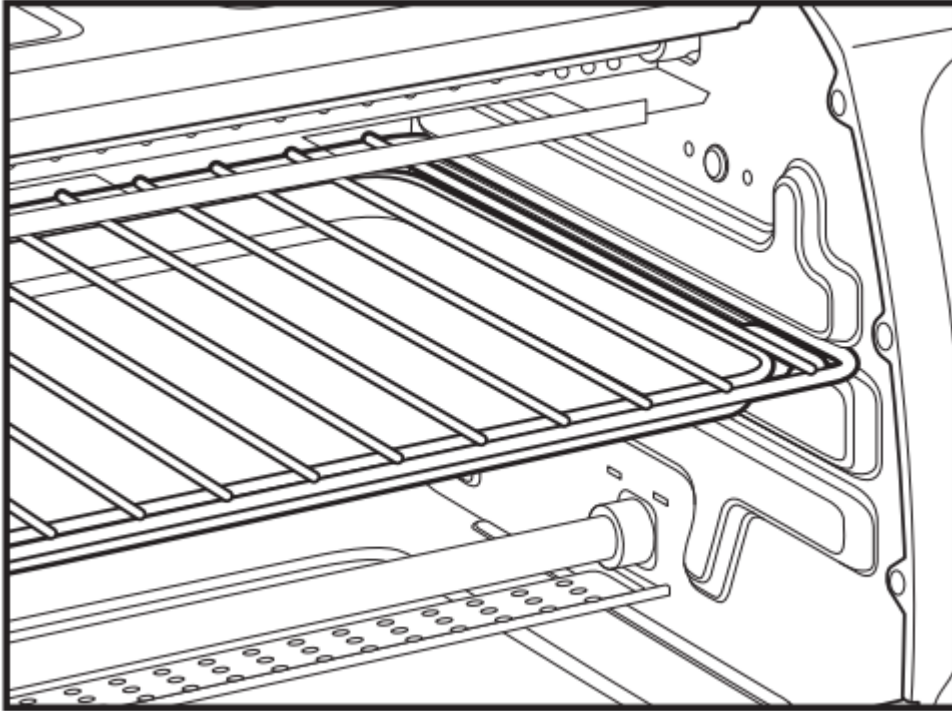


How to Broil

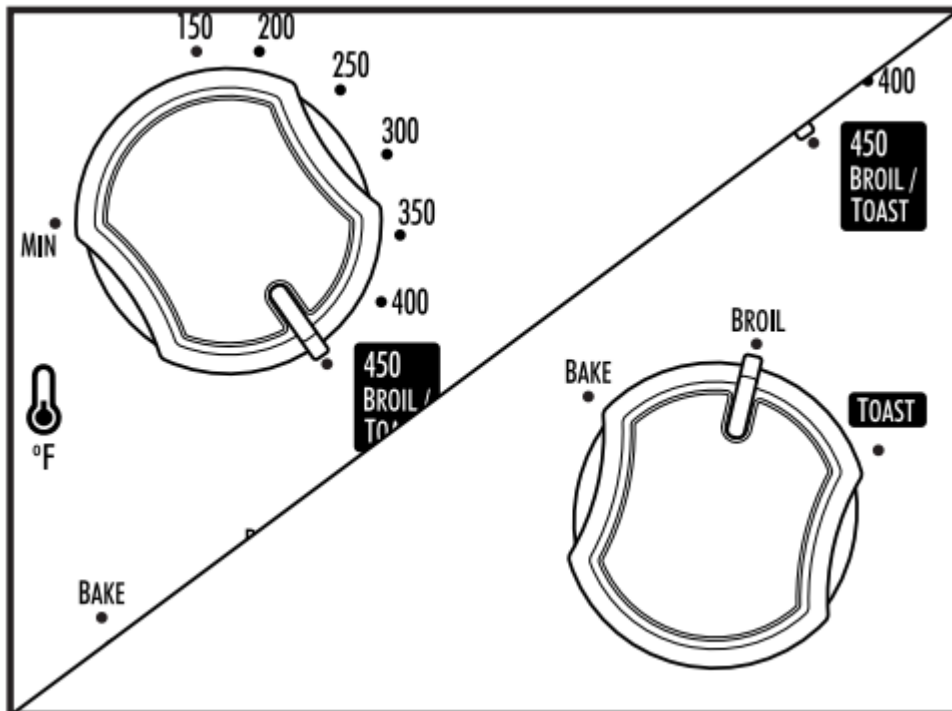
WARNING Fire Hazard.

- If contents ignite, do not open oven door. Unplug oven and allow contents to stop burning and cool before opening door.
 - Do not leave oven unattended during operation.
 - Do not use oven cooking bags.
 - Do not operate with door open or removed.
 - Always allow at least 1 inch (2.5 cm) between food and heating element.
 - Do not heat foods in plastic containers.
 - Follow food manufacturer's instructions.
 - Always unplug Toaster Oven when not in use.
1. Plug in Toaster Oven. Slide Oven Rack into HIGH RACK POSITION. Insert Baking/ Broiling Pan in slots under the Oven Rack and add food to rack. **DO NOT PREHEAT**

OVEN.



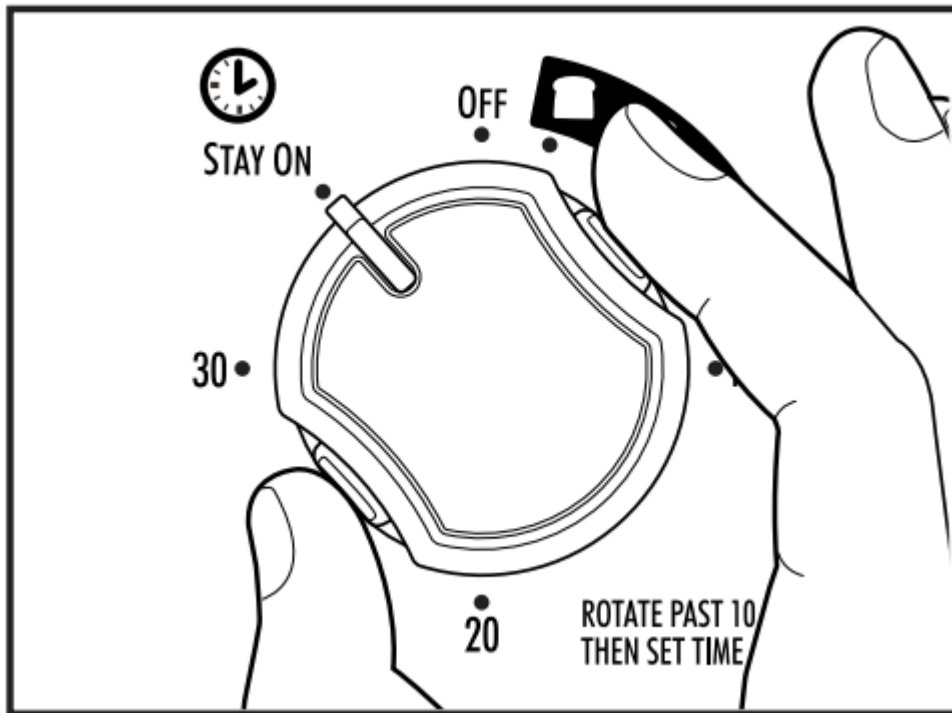
2. Turn Temperature Dial to BROIL/ TOAST; then turn Function Dial to BROIL.




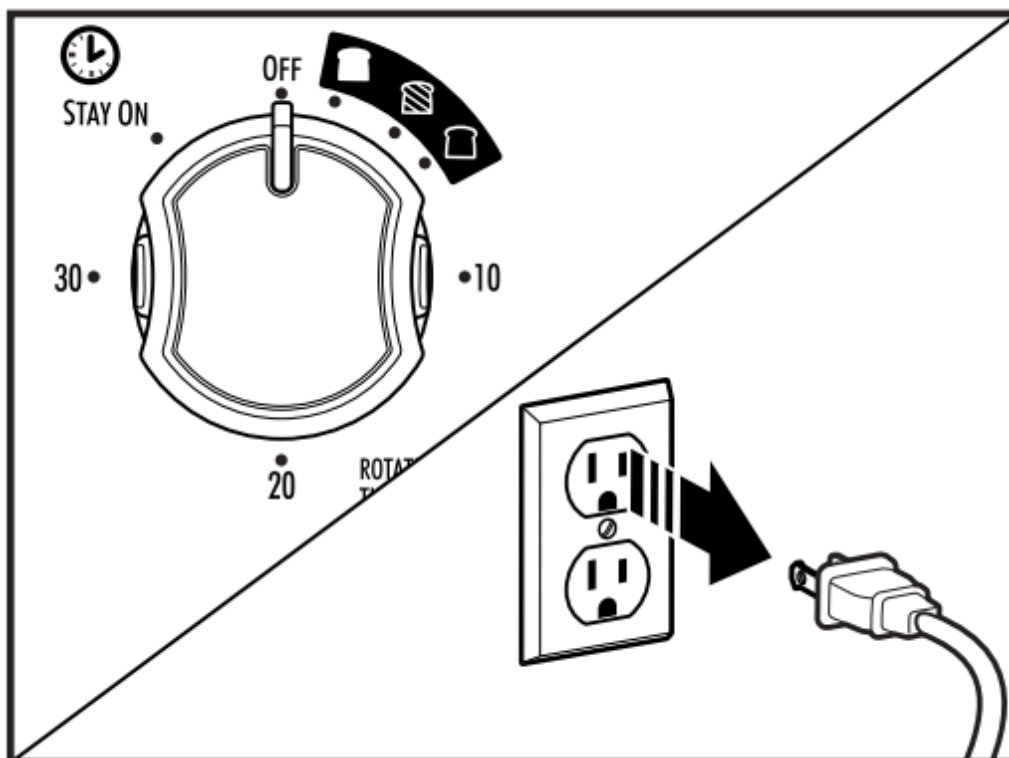
3. Rotate Timer past 10 and then to the desired broiling time. Or, rotate Timer to STAY ON while pressing in and holding the buttons on the side of the dial. Turn foods when



browned or halfway through the cooking time.




4. When finished, turn Timer to OFF () and unplug.



Care and Cleaning

WARNING Fire Hazard. Do not clean with metal scouring pads. Pieces can break off pad and touch electrical parts.

1. When finished, turn Timer dial to  (OFF) and unplug
2. To clean inside of oven, wipe oven walls, bottom of oven, and glass door with a damp, soapy cloth. Repeat with a damp, clean cloth. For stubborn stains, use a plastic scouring pad.
4. Wipe outside of oven with a damp cloth. Do not use abrasive cleansers or metal scouring pads.

Troubleshooting

Oven will not heat.

- Check to make sure electrical outlet is working and the oven is plugged in. Turn Temperature Dial to 350°F (177°C) and turn Timer to STAY ON while pressing in and holding the buttons on the side of the dial.


Moisture forms on inside of oven door when toasting.

- This is normal when toasting in a Toaster Oven. Moisture is slower to escape from a Toaster Oven than from a toaster. The amount of moisture will differ between fresh bread, bagels, and frozen pastries.

An odor and smoke come from oven.

- Smoke and odor are normal during first use of most heating appliances. These will not be present after initial heating period.

Oven will not toast.

- Check to make sure outlet is working and oven is plugged in. Turn Function Dial to TOAST and rotate Timer past 10 and then back to desired toast color ().

Some foods burn and some are not done.

- Adjust oven temperature or cooking time for best results with your recipes.

Concentrated steam comes out of top corners of oven door.

- Moisture escaping from oven will be concentrated into streams from the top corners of the door. This gives the appearance of smoke. This is normal for this product.

IMPORTANT SAFEGUARDS

When using electrical appliances, basic safety precautions should always be followed to reduce the risk of fire, electric shock, and/or injury to persons, including the following:

1. Read all instructions.
2. This appliance is not intended for use by persons (including children) with reduced physical, sensory, or mental capabilities, or lack of experience and knowledge, unless they are closely supervised and instructed concerning use of the appliance by a person responsible for their safety.
3. Close supervision is necessary when any appliance is used by or near children. Children should be supervised to ensure that they do not play with the appliance.
4. Do not touch hot surfaces. Use handles or knobs.
5. To protect against electric shock, do not immerse cord, plug, or toaster oven in water or other liquid.
6. Unplug from outlet when not in use and before cleaning. Allow to cool before cleaning appliance and putting on or taking off parts.
7. Do not operate any appliance with a damaged supply cord or plug, or after the appliance malfunctions or has been dropped or damaged in any manner. Supply cord replacement and repairs must be conducted by the manufacturer, its service agent, or similarly qualified persons in order to avoid a hazard. Call the provided customer service number for information on examination, repair, or adjustment.
8. The use of accessory attachments not recommended by the appliance manufacturer may cause injuries.
9. Do not use outdoors.
10. Do not let cord hang over edge of table or counter or touch hot surfaces.
11. Do not place on or near a hot gas or electric burner or in a heated oven.
12. Extreme caution must be used when moving an appliance containing hot oil or other hot liquids.
13. To disconnect, turn all controls to OFF (); then remove plug from wall outlet.
14. Use extreme caution when removing pan or disposing of hot grease.
15. Do not clean with metal scouring pads. Pieces can break off the pad and touch electrical parts, creating a risk of electrical shock.
16. Oversize foods or metal utensils must not be inserted in a toaster oven as they may create a fire or risk of electric shock.
17. The bread may burn. A fire may occur if toaster is covered or touching flammable material, including curtains, draperies, walls, overhead cabinets, paper or plastic products, cloth towels, and the like, when in operation.

18. Extreme caution should be exercised when using containers constructed of materials other than metal or glass.
19. Do not store any materials, other than manufacturerrecommended accessories, in this oven when not in use.
20. Do not place any of the following materials in the oven: paper, cardboard, plastic, and the like.
21. Do not cover crumb tray or any part of the oven with metal foil. This will cause overheating of the oven.
22. To turn oven off, turn timer to OFF () position. See “Parts and Features” section.
23. Do not place eyes or face in close proximity with tempered safety glass door, in the event that the safety glass breaks.
24. Always use appliance with crumb tray securely in place.
25. Do not use appliance for other than intended use.
26. Clean oven interior carefully. Do not scratch or damage heating element tube.
27. Do not operate the appliance by means of an external timer or separate remote-control system.

Other Consumer Safety Information

This appliance is intended for household use only.

WARNING Electrical Shock Hazard: This appliance is provided with a polarized plug (one wide blade) to reduce the risk of electric shock. The plug fits only one way into a polarized outlet. Do not defeat the safety purpose of the plug by modifying the plug in any way or by using an adapter. If the plug does not fit fully into the outlet, reverse the plug. If it still does not fit, have an electrician replace the outlet.

The length of the cord used on this appliance was selected to reduce the hazards of becoming tangled in or tripping over a longer cord. If a longer cord is necessary, an approved extension cord may be used. The electrical rating of the extension cord must be equal to or greater than the rating of the appliance. Care must be taken to arrange the extension cord so that it will not drape over the countertop or tabletop where it can be pulled on by children or accidentally tripped over.

To avoid an electrical circuit overload, do not use another high-wattage appliance on the same circuit with this appliance.

BEFORE FIRST USE

Most heating appliances produce an odor and/or smoke when used the first time. Plug the toaster oven into an outlet. Turn Temperature Dial to 450°F (230°C). Heat at this temperature for 10 minutes. The odor should not be present after this initial preheating. Wash baking/broiling pan and oven rack before using.

Warning

This content is compiled from multiple sources and is provided for reference purposes only. It may not be complete or fully applicable to all situations. If you are unable to resolve your issue, please contact the product manufacturer or an authorized service provider for official support.

Document generated by [ManualsFile](#)