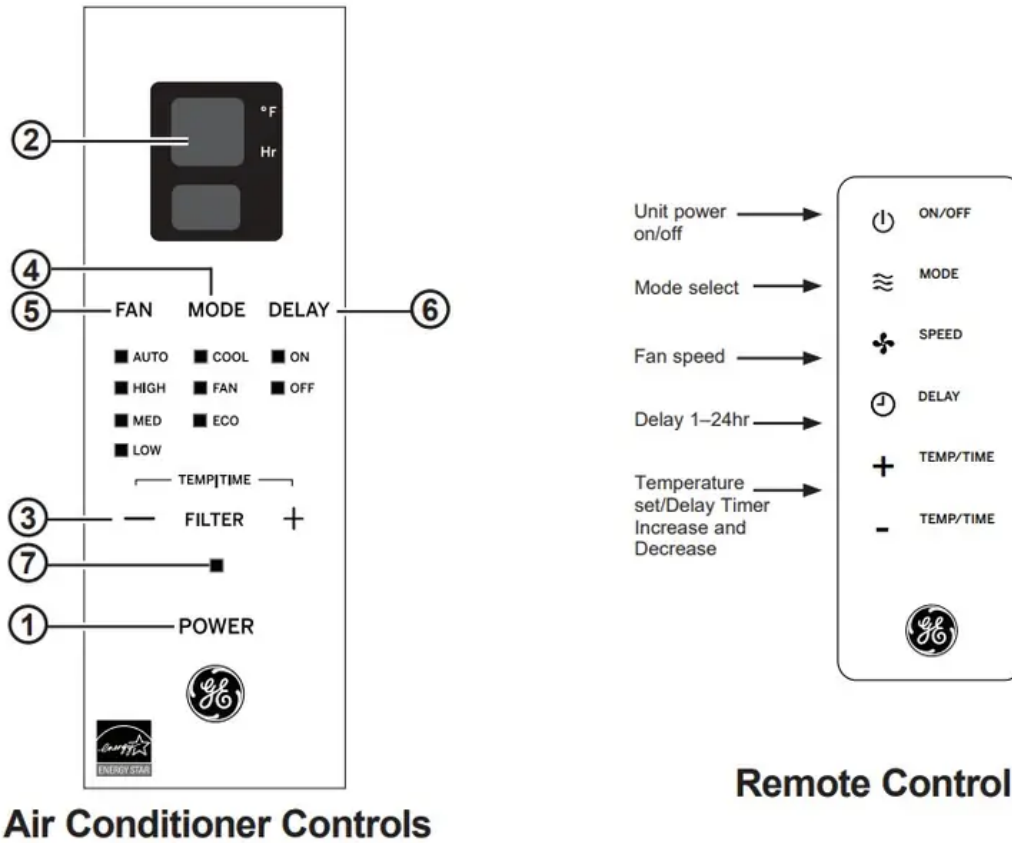


## CONTROLS

Features and appearance will vary.

Lights below the touch pads on the air conditioner control panel indicate the selected settings.



### Controls

#### 1. Power Pad

Turns air conditioner on and off. When turned on, the display will show the room temperature.

#### 2. Display

Shows the room temperature or time remaining on the Delay timer. Shows the Set temperature while setting the temperature in Cool or Energy Saver modes.

#### 3. Temp and Delay Increase + /Decrease - Pads

Use to set temperature or delay time. Temperature can be set in Cool and Energy Saving mode.

#### 4. Mode Pad

Use to set the air conditioner to Fan Only, Cool, or Energy Saver mode.

## 5. Fan Speed Pad

In Cool, Energy Saving mode:

Use to set the fan speed to Auto, High, Med or Low on the unit.

In Fan Only mode:

Use to set the fan speed to High, Med, or Low on the unit.

## 6. Delay Pad

Delay ON—When the air conditioner is off, it can be set to automatically come on in 1 to 24 hours at its previous mode and fan settings.

Delay OFF—When the air conditioner is on, it can be set to automatically turn off in 1 to 24 hours.

How to set:

Press the Delay 1–24hr pad on the unit or the remote control. Each touch of the Increase + / Decrease – pads on the unit or the remote control will set the timer in 1-hour intervals.

To review the remaining time on the Delay 1-24hr timer, press the Delay 1-24hr pad on the unit or the remote control. Use the Increase + / Decrease -pads on the unit or on the remote control to set a new time if desired.

To cancel the timer, press Decrease – pad on the unit or the remote control until the set time is zero. After 3 seconds the light on the Delay 1-24 hour pad goes off.

## 7. Filter Reset Pad

This feature automatically notifies you that the air filter must be cleaned. The indicator light will come on after 240 hours of operation. Clean the air filter (refer to page 6), place it back in the front panel, and press the Filter Reset pad. The light will go off.

# USING THE AIR CONDITIONER

## Do Not Operate in Freezing Outdoor Conditions

This cool-only air conditioner was not designed for freezing outdoor conditions. It must not be used when the outdoor temperature is below freezing (32°F).

## Remote Control

- To ensure proper operation, aim the remote control at the signal receiver on the air conditioner.
- The remote control signal has a range of up to 20 feet.

- Make sure nothing is between the air conditioner and the remote control that could block the signal.
- Make sure batteries are fresh and installed correctly as indicated on the remote control.

## Cool Mode

Use the Cool mode at Low, Med, High or Speed for cooling. Use the Temperature Increase + / Decrease - pads to set the desired temperature between 64°F and 86°F in 1°F increments.

An electronic thermostat is used to maintain the room temperature. The compressor will cycle on and off to keep the room at the set level of comfort. Set the thermostat at a lower number and the indoor air will become cooler. Set the thermostat at a higher number and the indoor air will become warmer.

NOTE: If the air conditioner is off and is then turned on while set to a Cool setting or if turned from a fan setting to a Cool setting, it may take approximately 3 minutes for the compressor to start and cooling to begin.

## Cooling Descriptions

For Normal Cooling—Select the Cool mode and High or Med fan with a middle set temperature.

For Maximum Cooling—Select the Cool mode and High fan with a lower set temperature.

For Quieter and Nighttime Cooling—Select the Cool mode and Low fan with a middle set temperature.

## Energy Saver Mode

Controls the fan.

**ON**—The fan will cycle on and off with the compressor. This may result in wider variations of room temperature and humidity. NOTE: the fan may continue to run for a short time or may pulse intermittently after the compressor cycles off to sample the room air.

**OFF**—The fan runs all the time, while the compressor cycles on and off.

## Fan Only Mode

Use the Fan Only Mode at Low, Med or High fan speed to provide air circulation and filtering without cooling. Since fan-only settings do not provide cooling, a Set temperature cannot be entered. The room temperature will appear in the display.

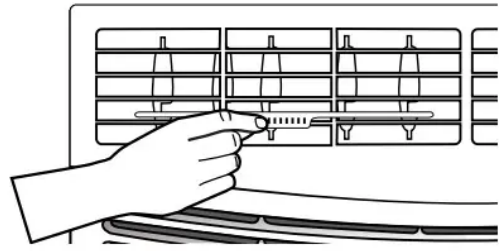
## Auto Fan Mode

Set to Auto for the fan speed to automatically set to the speed needed to provide optimum comfort settings with the set temperature.

If the room needs more cooling, the fan speed will automatically increase. If the room needs less cooling, the fan speed will automatically decrease.

## Air Direction

Use the lever to adjust the air direction left to right.



## CARE AND CLEANING

### Grille and Case

Turn the air conditioner off and remove the plug from the wall outlet before cleaning.

To clean, use water and a mild detergent. Do not use bleach or abrasives.

### Air Filter

The air filter behind the front grille should be checked and cleaned at least every 30 days or more often if necessary.

To remove:

Slide the filter from the left side of the unit. Remove the filter.

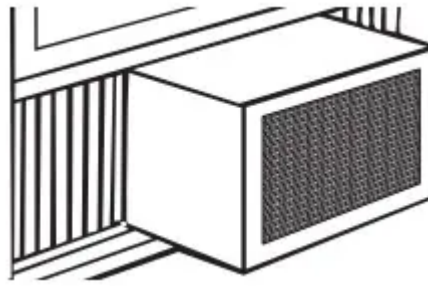
Clean the filter with warm, soapy water. Rinse and let the filter dry before replacing it. Do not clean the filter in a dishwasher.

**CAUTION:** DO NOT operate the air conditioner without a filter because dirt and lint will clog it and reduce performance.



### Outdoor Coils

The coils on the outdoor side of the air conditioner should be checked regularly. If they are clogged with dirt or soot, they may be professionally cleaned.



### **How to Insert the Battery in the Remote Control**

1. Remove the screw on the back of the battery cover.
2. Pinch the slide lock and pull the battery tray out at the same time.
3. Insert new battery, making sure that the (+) and (-) of battery are installed correctly.
4. Reinsert the battery tray and reinstall the screw.

#### **NOTES:**

- Use one CR 2025 (3V) Lithium battery.
- Remove the battery from the remote control if the system is not going to be used for a long time.

## **TROUBLESHOOTING TIPS**

Save time and money! Review the charts on the following pages first and you may not need to call for service.

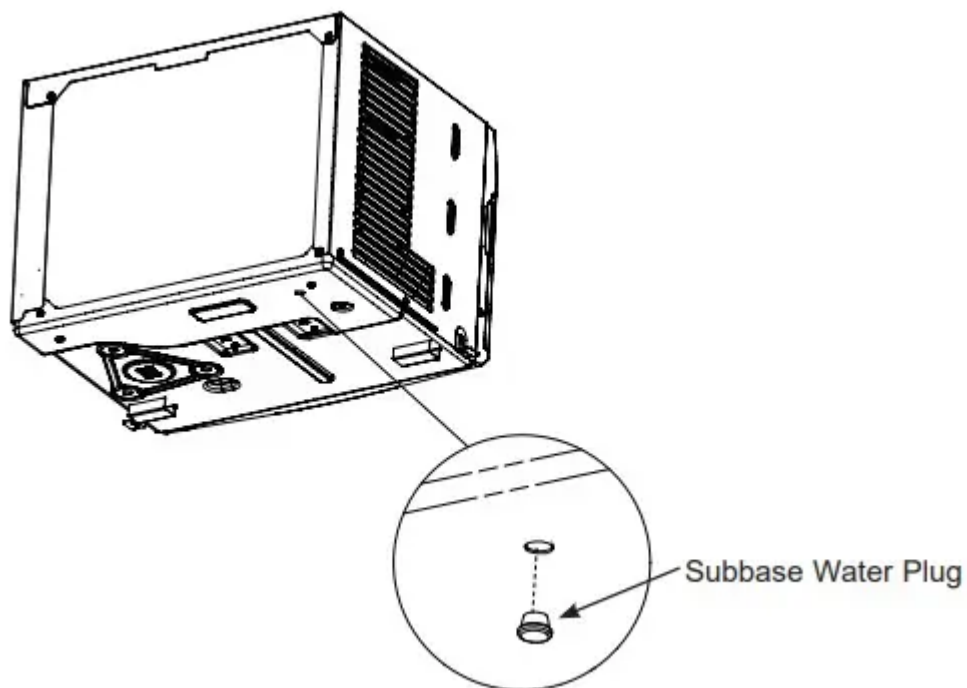
<b>Problem</b>	<b>Possible Cause</b>	<b>What To Do</b>
Air conditioner does not start.	The unit is unplugged.	Make sure the air conditioner plug is pushed completely into the outlet.
	The fuse is blown/ circuit breaker is tripped.	Check the house fuse/circuit breaker box and replace the fuse or reset the breaker.
	Power Failure.	The unit will automatically restart in the setting last used after the power is restored.  There is a protective time delay (approximately 3 minutes) to prevent tripping of the compressor overload. For this reason, the unit may not start normal cooling for 3 minutes after it is turned back on.
	The current interrupter device is tripped.	Press RESET button located on the power cord plug.  If the RESET button will not stay engaged, discontinue use of the air conditioner and contact a qualified service technician.
Air conditioner does not cool as it should.	Indoor airflow is restricted.	Make sure there are not curtains, blinds or furniture blocking the front of the air conditioner.
	The temp control may not be set properly.	Turn the temperature control to a higher number.
	The air filter is dirty.	Clean the filter at least every 30 days. See Care and Cleaning section.
	The room may have been hot.	When the air conditioner is first turned on, you need to allow time for the room to cool down.
	Cold air is escaping.	Check for open furnace registers and cold air returns.
	Cooling coils have iced up.	See "Air conditioner freezing up" below.
	Ice blocks the air flow and stops the air	



<b>Problem</b>	<b>Possible Cause</b>	<b>What To Do</b>
Air conditioner freezing up	conditioner from cooling the room.	Set the mode control to High Fan or High Cool with the temperature setting as high as it can be set.
Water drips outside	Hot, humid weather.	This is normal.
Water drips inside	The air conditioner is not tilted to the outside.	For proper disposal, make sure the air conditioner slants slightly from the case front to the rear.
Water collects in base pan	Moisture removed from air and drain into base pan.	This is normal for a short period in areas with little humidity; normal for a longer period in very humid areas.

### **Normal Operating Sounds**

- You may hear a pinging noise caused by water being picked up and thrown against the condenser on rainy days or when the humidity is high. This design feature helps remove moisture and improve efficiency.
- You may hear the thermostat click when the compressor cycles on and off.
- Water will collect in the base pan during high humidity or on rainy days. The water may overflow and drip from the outdoor side of the unit.
- The fan may run even when the compressor does not.
- Water droplets being thrown against the outside coils can make a pinging noise. This helps cool the condenser. You can reduce this noise by removing the subbase water plug.



To ensure maximum efficiency it is recommended to check to ensure the rubber drain plug is properly inserted. This plug may be removed during operation to minimize water in the back of the unit; however, removing it will lower the efficiency of your unit.

NOTE: Do not drill hole in the base pan.

### **Warning**

This content is compiled from multiple sources and is provided for reference purposes only. It may not be complete or fully applicable to all situations. If you are unable to resolve your issue, please contact the product manufacturer or an authorized service provider for official support.