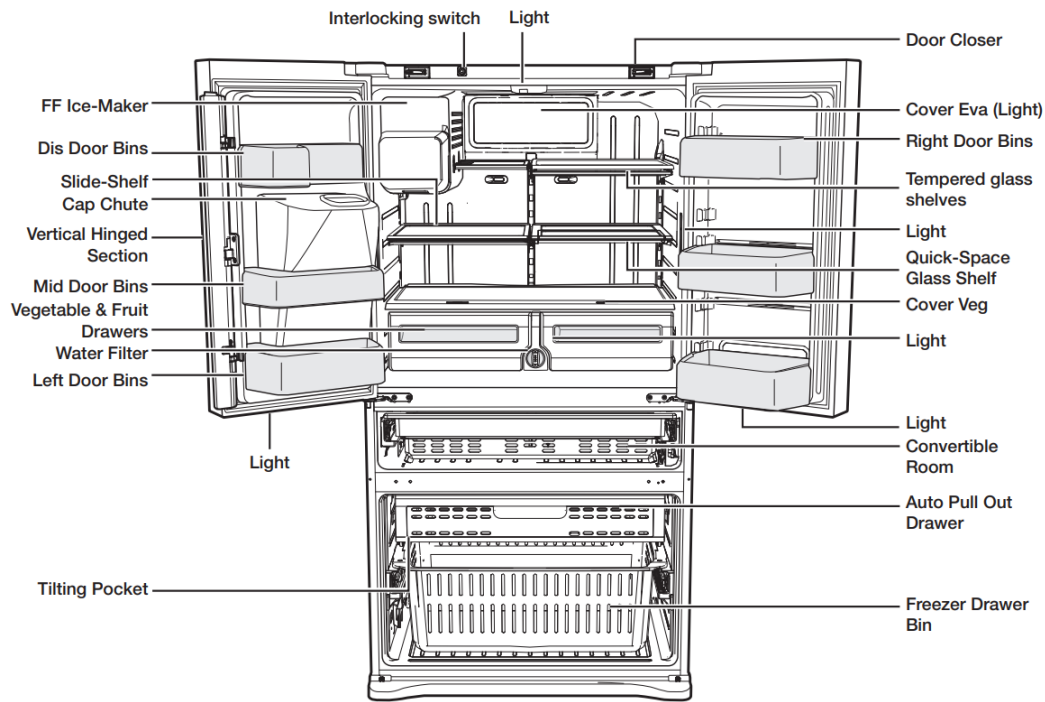


## PARTS AND FEATURES



### NOTE

When closing the door, make sure the Vertical Hinged Section is in the correct position to avoid scratching the other door.

If the Vertical Hinged Section is reversed, put it back to the right position and close the door.

Moisture may appear at times on the Vertical Hinged Section.

The door handle may become loose over time. If this happens, tighten the bolts found on the inside of the door.

If you close one door with a lot of force, the other door may open.

When the door opens, the interlock switch automatically turns off the auger motor in the ice maker for safety reasons.

When the interior or exterior LED lamp has gone out, please contact your service agents.

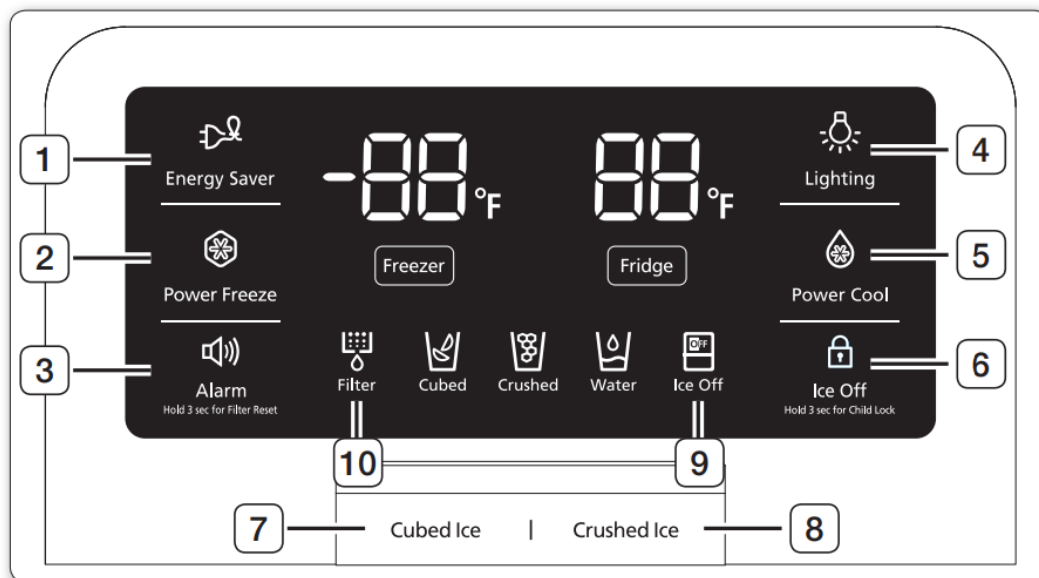
## OPERATION




### NOTE




- When closing the door, make sure the Vertical Hinged Section is in the correct position to avoid scratching the other door.





- If the Vertical Hinged Section is reversed, put it back to the right position and close the door.
- Moisture may appear at times on the Vertical Hinged Section.
- The door handle may become loose over time. If this happens, tighten the bolts found on the inside of the door.
- If you close one door with a lot of force, the other door may open.
- When the door opens, the interlock switch automatically turns off the auger motor in the ice maker for safety reasons.
- When the interior or exterior LED lamp has gone out, please contact your service agents.

## CONTROL PANEL



<p><b>( 1 ) Energy Saver</b></p> 	<p>Press the Energy Saver button for better energy efficiency.</p> <p>The Energy Saver icon lights up when you press the Energy Saver button.</p> <p>The Energy Saver function is automatically set to “ON” when power is supplied to the refrigerator.</p> <p>If condensation or water drops appear on the doors, turn the Energy Saver mode off.</p>
<p><b>( 2 ) Power Freezer</b></p> 	<p>The Power Freeze function substantially speeds up the freezer compressor, causing the freezer to cool down rapidly to a temperature you choose. When you press the Power Freeze button, the Power Freeze icon lights up.</p> <p>Power Freeze is useful if you need to quick freeze an item, to make a large quantity of ice, or to cool the freezer rapidly if it has warmed dramatically (for example, if the door was left open).</p> <p>To turn off Power Freeze, press the Power Freeze button again. Power Freeze turns off automatically after 72hours to decrease energy consumption.</p> <p>When you use this function the energy consumption of the refrigerator will increase.</p> <p>Remember to turn it off when you don't need it and return the freezer to your original temperature setting. If you need to freeze large amount of food stuff, activate Power Freeze function at least 24 hours before.</p>
<p><b>( 3 ) Alarm / hold 3 sec for Filter Reset</b></p> 	<p>The Alarm/Hold 3 sec for Filter Reset button serves two purposes:</p> <ul style="list-style-type: none"> <li>• To turn the door open alarm on and off</li> <li>• To reset the water filter life indicator.</li> </ul> <p><b>1) Door Alarm Function</b></p> <p>If the door alarm is set to On, an alarm beeps if any refrigerator door is left open for more than three minutes.</p> <p>The beeping stops when you close the door. The door alarm function is pre-set to On in the factory. You can turn it off by pressing and then releasing the Alarm/</p> <p>Hold button. You can turn it back on in the same fashion. The icon lights up when the function is on.</p> <p><b>2) Water Filter Life Indicator Function</b></p>

	<p>After you replace the water filter, press and hold the Alarm/Hold 3 sec for Filter Reset button to re-set the water filter life indicator. When you re-set the water filter life indicator, the Filter icon on the panel turns blue, green, or yellow.</p> <p>The Filter icon will turn red to let you know it is time to change the water filter after six months (about 300 gallons).</p> <p>Some areas have large amounts of lime in their water, which causes the water filter to clog more quickly. If this is the case in your area, you will have to change the filter more frequently than every six months.</p>
<p><b>( 4 ) Lighting</b></p> 	<p>Pressing the Lighting button turns on the Dispenser LED lamp (under the display) in continuous mode so that it stays on continuously. The button also lights up. If you want the Dispenser lamp to come on only when someone uses the dispenser, press the Lighting button to turn the continuous mode off.</p>
<p><b>( 5 ) Power Cool</b></p> 	<p>The Power Cool function substantially speeds up the refrigerator compressor, causing the refrigerator to cool down rapidly to a temperature you choose. When you press the Power Cool button, the Power Cool icon lights up.</p> <p>Power Cool is useful if you need to quickly cool items or need to cool the refrigerator rapidly if it has warmed dramatically (for example, if the door was left open).</p> <p>To turn off Power Cool, press the Power Cool button again. Power Cool turns off automatically after 2 1/2 hours to decrease energy consumption.</p> <p><b>When you turn on Power Cool, the refrigerator's compressor speeds up and is louder than during normal operation.</b></p>
<p><b>( 6 ) Ice Off (Hold 3 sec for Child Lock)</b></p> 	<p>If you don't want to make more ice, press the Ice Off button. Pressing this button 3 seconds locks the display panel and dispenser buttons so the buttons can not be used. The Child Lock icon lights up to indicate you've activated the Child Lock function.</p>

<p><b>(7) Cubed Ice</b> <b>(8) Crushed Ice</b></p> 	<p>Press the Cubed Ice or Crushed Ice button to select the type of ice you want dispensed.</p> <p>Each time you press the button, the cubed and crushed ice modes alternate and the Cubed or Crushed ice icon lights up, indicating your selection.</p> <p>If you don't need ice, turn the function off to save on water and energy consumption (See Ice Off below).</p>
<p><b>Cooling Off Mode</b></p> 	<p>Cooling Off mode (also called Shop mode), is designed for use by retailers when they are displaying refrigerators on the shop floor. In Cooling Off mode, the refrigerator's fan motor and lights work normally, but the compressors do not run, and the refrigerator and freezer do not get cold.</p> <p>To start Cooling Off mode, press and hold the Energy Saver button and the Power Freeze button for 3 seconds during normal operation. The refrigerator chime sounds and the temperature display flashes OF OF.</p> <p>To cancel Cooling Off mode, press and hold the Energy Saver and the Power Freeze buttons again for 3 seconds.</p>
<p><b>( 9 ) Ice Off</b></p> 	<p>If you don't want to make more ice, press the Ice Off button.</p> <p>The icon will light up and the Ice-Maker stops making ice.</p> <p><b>We recommend you stop ice making if the following occur:</b></p> <ul style="list-style-type: none"> <li>• There is enough ice in the ice bucket.</li> <li>• You want to save water and energy.</li> <li>• Water is not being supplied to the refrigerator.</li> </ul> <p>If the ice maker function is ON, and the water line is not connected, there will be a water valve noise from back of the unit. Press the Ice Off ( 6 ) button until the Ice Off indicator () illuminates.</p>

If you do not press any button(letters not ICON), the display turns off in a few seconds.

If you press any button(letters not ICON) , the display lights up again.

**The Function key will operate only when you touch the letters.**

<b>( 10 ) Filter</b>	<p>Water filter usage</p> <ol style="list-style-type: none"> <li>1. Normally the filter indicator is blue, yellow, or green when you purchase or install your refrigerator, depending on your model.</li> <li>2. After you use about 270 gallons of water, the filter indicator turns Light Pink. (about months)</li> <li>3. After you use about 300 gallons of water, the filter indicator turns Red. (about 6 months)</li> <li>4. Remove the old water filter and install a new one when the filter indicator is red. Reset the filter indicator by pressing Alam/Hold 3 sec for Filter Reset button for 3sec. The filter indicator turns blue, yellow, or green when you reset the indicator. <ul style="list-style-type: none"> <li>◦ If water is not dispensing or dispensing slowly, you need to replace the water filter because the water filter is clogged.</li> <li>◦ Some areas have large amounts of lime in their water, which causes the water filter to clog more quickly.filter</li> </ul> </li> </ol>
----------------------	--

## CHANGING THE WATER FILTER

### WARNING

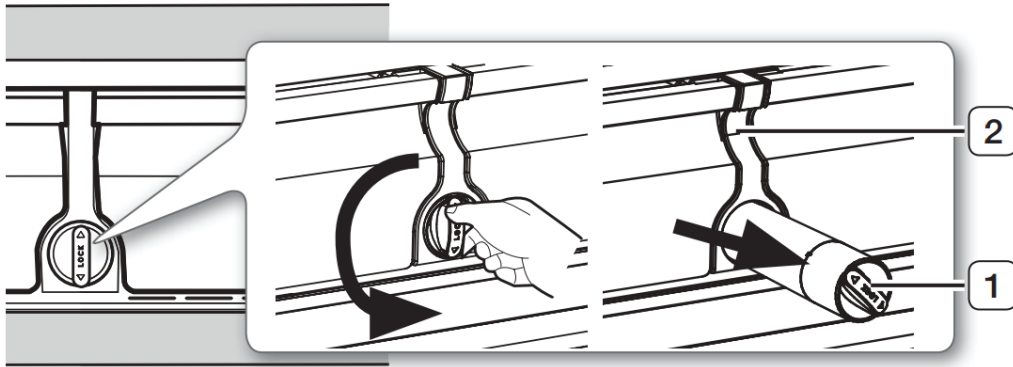
To reduce risk of water damage to your property **DO NOT** use generic brands of water filters in your SAMSUNG Refrigerator. **USE ONLY SAMSUNG BRAND WATER FILTER.** SAMSUNG will not be legally responsible for any damage, including, but not limited to property damage caused by water leakage from use of a generic water filter. SAMSUNG Refrigerators are designed to work **ONLY WITH SAMSUNG Water Filter.**

The Filter light turns red to let you know when it is time to change your water filter cartridge.

To give you time to get a new filter, the red light comes on just before the capacity of the current filter runs out.

Changing the filter on time provides you with the freshest, cleanest water from your refrigerator.

1. Shut off the water supply. Then, turn the water filter ( 1 ) about 1/4 turn, counter-clockwise.
2. Pull the water filter ( 1 ) from the case filter ( 2 ).



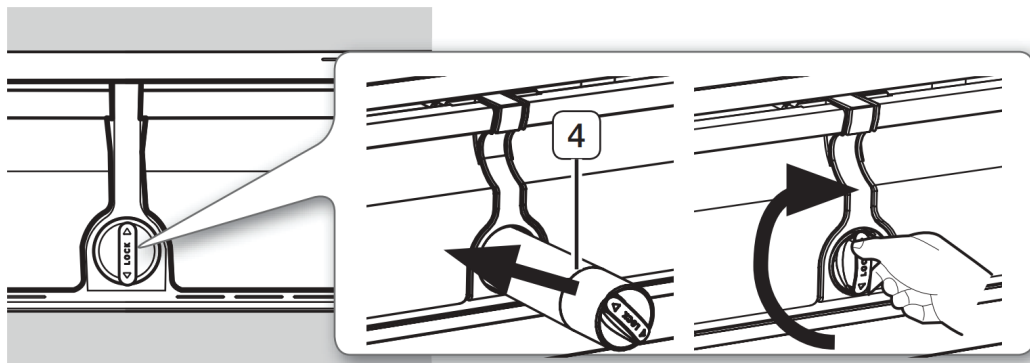
**NOTE**



- To change the water filter more easily, shut off the water supply valve.
- Sometimes, it is hard to disassemble the water filter because impurities in the water cause it to stick. If you are having difficulties, grip the water filter firmly and pull it hard.
- When you pull the water filter, a little water can leak from the opening. This is normal. To minimize the water leaks, keep the filter cartridge horizontal when you pull it.
- To prevent overflow, empty the water filter tray and dry around the filter case.

<p>3. Insert the new filter into the filter case ( 4 ).</p> <p>4. Push the filter, and then turn it clockwise until it locks.</p>	
---	--

**NOTE**

- If you have trouble inserting the water filter because of high water pressure, shut off the water supply valve.
- The locked symbol should be lined up with the indicator line.



<p>5. Press the "Alarm/hold 3 sec for Filter Reset" button (  ) for about 3 seconds to reset the water filter. The color of indicator (  ) changes from red to blue, green, or yellow.</p>	
--	--


6. If you turned off the water supply, turn it back on.

- For a replacement water filter, you can visit your local home Improvement center or contact the Samsung Parts distributor.

**Removing any residual matter inside the water supply line after installing the water filter.**

<p>1. Turn ON the main water supply and supply water from water supply line.</p>	
--	--

<p>2. Run water through the dispenser until the water runs clear (approx. 6 to 7 minutes). This will clean the water supply system and remove air from the lines</p>	
--	--

<p>3. Additional flushing may be required in some households.</p> <p>4. Open the Refrigerator door and make sure there are no water leaks coming from the water filter.</p>	
---	---

<p><b>NOTE</b> Be sure to flush the dispenser thoroughly, otherwise water may drip from the dispenser. This means that there is still air in the line</p>
---

**Reverse Osmosis Water Supply**

**IMPORTANT :**

The pressure of the water supply coming out of a reverse osmosis system going to the water inlet valve of the refrigerator needs to be between 35 and 120 psi (241 and 827 kPa).

If a reverse osmosis water filtration system is connected to your cold water supply, the water pressure to the reverse osmosis system needs to be a minimum of 40 to 60 psi (276 to 414 kPa.) If the water pressure to the reverse osmosis system is less than 40 to 60 psi (276 to 414 kPa):

- Check to see whether the sediment filter in the reverse osmosis system is blocked. Replace the filter if necessary.
- Allow the storage tank on the reverse osmosis system to refill after heavy usage.
- If your refrigerator has a water filter, it may further reduce the water pressure when used in conjunction with a reverse osmosis system. Remove the water filter.

**CONTROLLING THE TEMPERATURE**

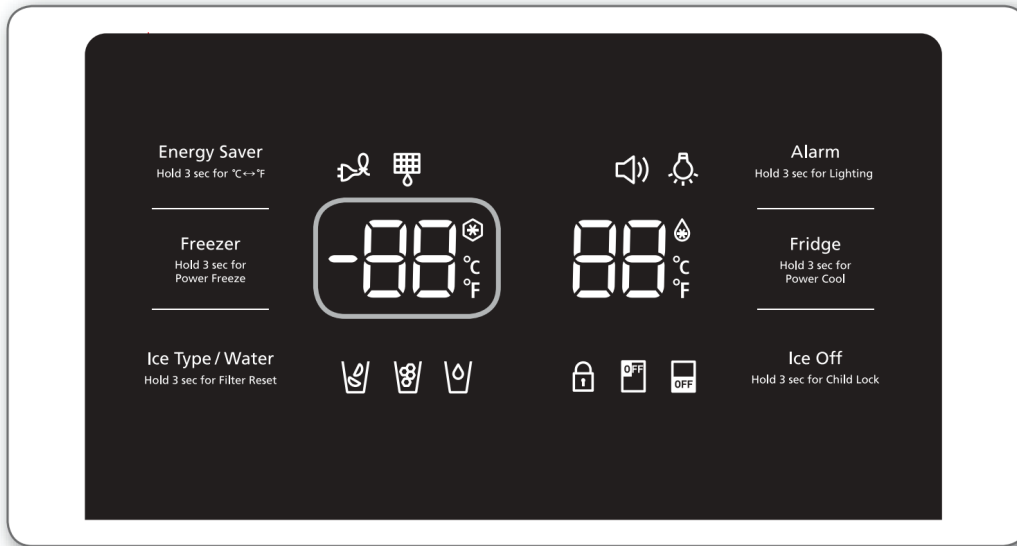
---



## Basic temperature of Freezer and Refrigerator Compartments

The basic temperature and recommended temperatures of the Freezer and Refrigerator Compartments are 0 °F and 37 °F(or -18 °C and 3°C) respectively. If the temperature of the Freezer and Refrigerator Compartments are too high or low, adjust the temperature manually.

### Controlling the Freezer temperature

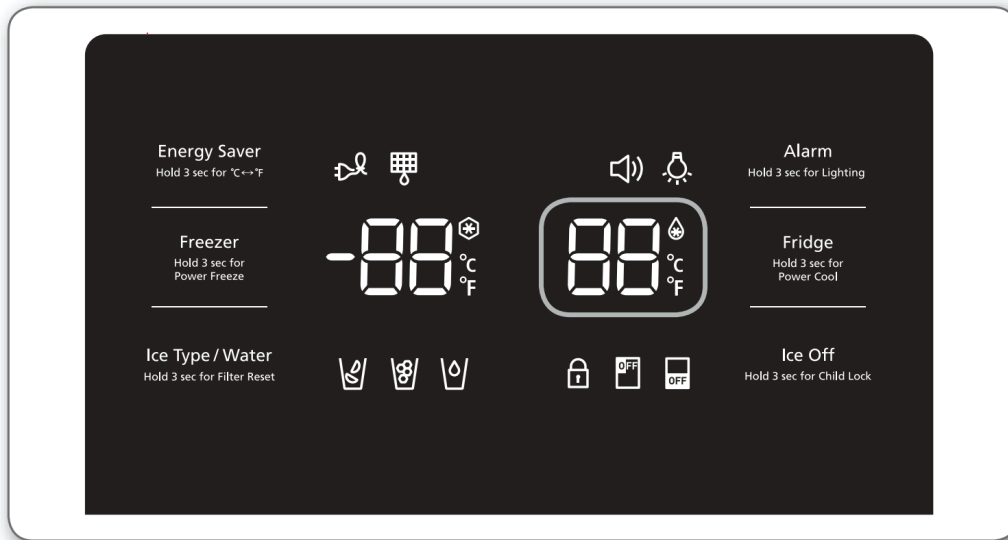


*Recommend Temp (Freezer) : -2F ecommend Temp (Freezer) : -2F*

The Freezer temperature can be set between -8°F and 8°F to suit your particular needs. Press the Freezer button repeatedly until the desired temperature is shown in the temperature display. The temperature will move 2°F degrees with each press (-2°F → -4°F → -6°F → -8°F → 8°F → 6°F → 4°F → 2°F → 0°F → -2°F). Keep in mind that foods like some ice cream may melt at 4°F. The temperature display will move sequentially from -8°F to 8°F.

### Controlling the fridge temperature

The fridge temperature can be set between 46°F and 34°F to suit your particular needs. Press the Fridge button repeatedly until the desired temperature is shown in the temperature display. The temperature will move 2°F degrees with each press (38°F → 36°F → 34°F → 46°F → 44°F → 42°F → 40°F → 38°F). The temperature control process for the Fridge works just like the Freezer process. Press the Fridge button to set your desired temperature. After a few seconds, the Fridge will begin adjusting towards the newly set temperature. This will be reflected in the digital display.



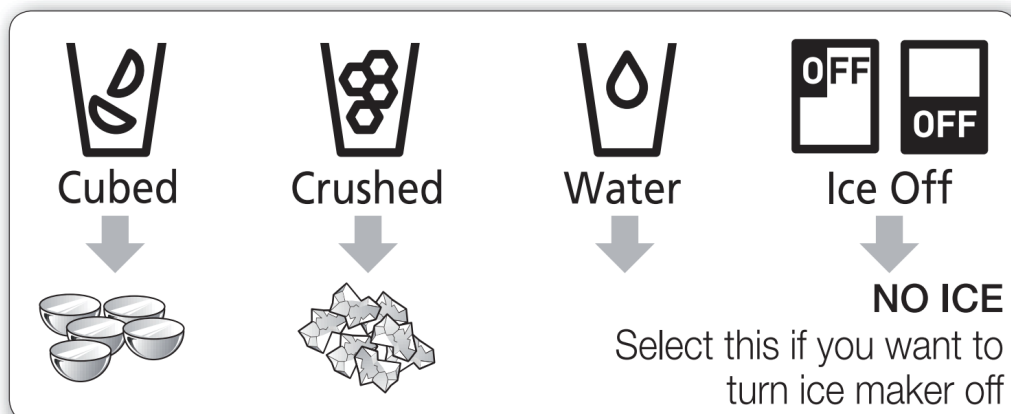
*Recommend Temp (Fridge) : 38F*

**NOTE**

- The temperature of the Freezer, fridge or Convertible Room may rise when you open the doors too frequently, or if a large amount of warm or hot food is placed inside.
- This may cause the digital display to blink. Once the Freezer and fridge temperature return to their normal set temperatures, the blinking will stop.
- If the blinking continues, you may need to “reset” the Refrigerator. Try unplugging the appliance, wait for around 10 minutes and then plug the power cord back in.
- If there is an communication error between the Display and Main Controller, the Convertible Display light may blink. Once the normal set temperatures are reached, the blinking will stop. If the blinking continues for a long period of time, please contact a Samsung Electronics Service Center

**USING THE TWO LEVER DISPENSER**

Push the appropriate ice type button to select what you want dispensed.



## Using the ice lever ( 1 )

Push the Ice lever dispenser ( 1 ) gently with your glass. Ice will be released from the dispenser. You can choose the type of ice by pushing the cubed or crushed button first.

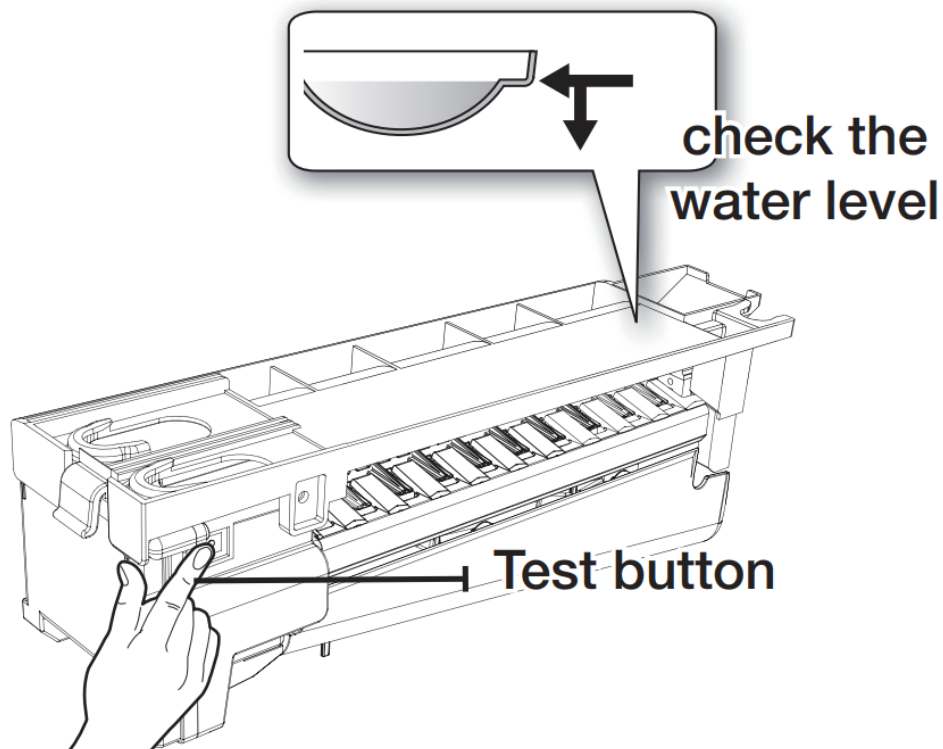
## Using the Water lever ( 2 )

Push the Water lever dispenser ( 2 ) gently with your glass. Water will be released from the dispenser.

**NOTE** Even if you push the water and Ice lever simultaneously, the dispenser operates only the option you selected or pushed first.

## Using the Ice & Water Dispenser together

To get Ice and water, push the Ice lever ( 1 ) first for ice, then move your glass down and press the water dispenser lever ( 2 ) for water.



## CAUTION

- Do not pull the lever out. You could damage or break the lever's spring.
- To clean the ice bin/bucket, wash with a mild detergent, rinse well, and dry thoroughly it. Do not use harsh or abrasive cleaners or solvents.

- When you select Cubed Ice after using the Crushed Ice mode, a small amount of residual crushed ice might be produced.
- In case ice doesn't come out, pull out the ice bucket and press the test button located on the right side of ice maker.
- Do not press the test button continuously when the tray is filled with ice or water. Water may overflow or ice may jam the bucket.
- Normal Use

To fill the ice bucket to maximum capacity after installation, follow these steps:

1. Allow your refrigerator to operate and cool down for 24 hours (or 1 full day).
  - Waiting 24 hours will allow your ice maker to cool properly.
2. Dispense 4 to 6 ice cubes into the glass.
3. After 8, and then 16 hours, dispense a full glass of ice.

#### NOTE

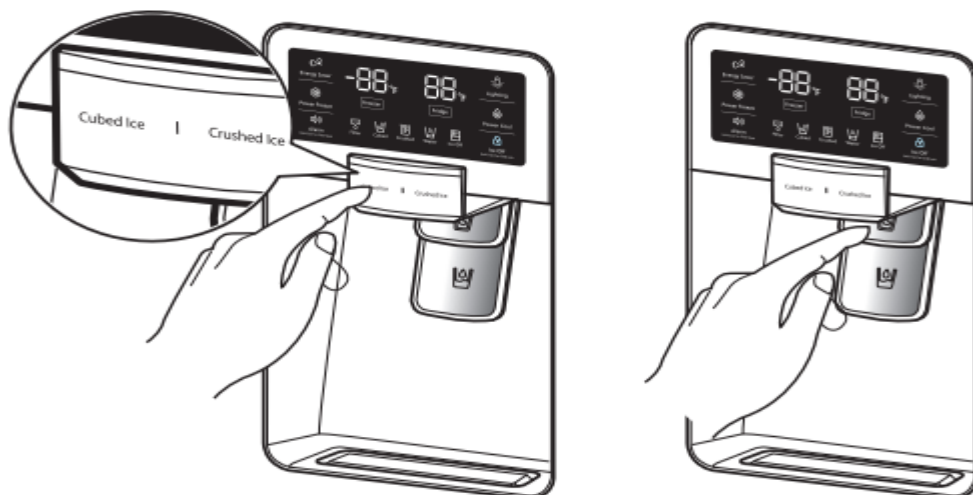
- When you press the Test button, you will hear the refrigerator chime (ding-dong). When the chime sounds, release the Test button.
- The chime sounds automatically again to let you know the ice maker is working well.

#### CAUTION

If a power failure occurs, ice cubes may melt then freeze together when the power comes back on, causing the dispenser to be out of order.

To prevent this problem, after a power failure, pull out the ice bucket and discard the residual ice or water.

After you dump the ice from the ice bucket, you should press the dispenser lever once with the 'ICE CUBED' or 'CRUSHED' function ON. The ice maker will make new ice faster after you return the ice bucket in the refrigerator.

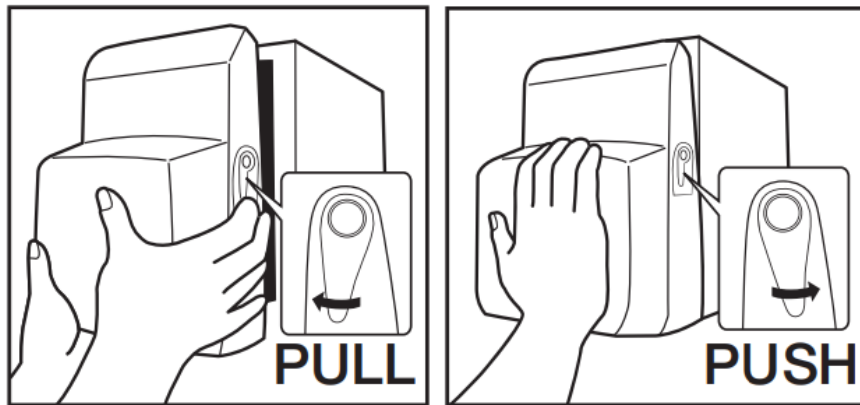


**NOTE** If you use all the ice at once, you must repeat Steps 2 and 3 on the previous page. However, only wait 8 hours before dispensing the first 4 to 6 ice cubes. This will replenish the ice cubes and ensure maximum ice production.

---

## USING THE ICE OFF FUNCTION

When you select the Ice Off mode, remove all ice cubes from the bucket. If you are not using the ice dispenser, the ice cubes may clump together. Pull the lock lever forward to remove the bucket. Throw away the ice cubes or clumped ice. Push the bucket back until you hear a click.



## CAUTION

Use only the ice maker provided with the refrigerator. The water supply to this refrigerator must only be installed/connected by a suitably qualified person. Connect to a potable water supply only.

To operate the ice maker properly, water pressure of 20~150 psi is required.

If you have a long vacation or business trip and won't use the water or ice dispensers for a long time:

- Close the water valve. Otherwise, water leakage may occur.
- Remove all food.
- Unplug the refrigerator.
- Wipe excess moisture from inside and leave the doors open. Otherwise, odor and mold may develop.

Do not put your fingers, hands or any other unsuitable objects in the chute or ice-maker bucket.

- It may result in personal injury or material damage. Never put your finger or any other objects in the dispenser opening.
- It may cause injury.

Do not try to disassemble the ice maker.

Do not wash or spray the ice bucket with water while it is in the refrigerator. Remove it to clean it.

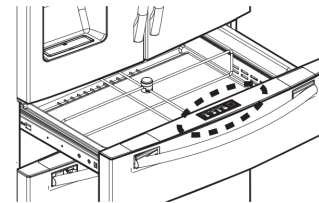
### Water clouding phenomenon

- All water provided to the refrigerator flows through the core filter which is an alkaline water filter. In the filtering process, the pressure of the water that has flowed out of the filter is increased, and the water becomes saturated with oxygen and nitrogen. When this water flows out into the air, the pressure plummets and the oxygen and nitrogen get supersaturated, which results in gas bubbles. The water may temporarily look misty or cloudy due to these oxygen bubbles. After a few seconds, the water will look clear.
- Please wait 1 second before removing the cup after dispensing water to prevent spills. Do not pull out the lever dispenser after dispensing ice or water. It comes back automatically. Ice is made in cubes. When you select “Crushed”, the ice maker grinds the ice cubes into crushed ice

---

## USING FLEX ZONE

The Flex Zone is a full-width drawer with an adjustable temperature control. You can use the Flex Zone for large party trays, deli items, wines, pizzas, beverages, or miscellaneous items. There is a temperature sensor which lets you adjust the amount of cold air allowed into the Zone. The control buttons are located on the cap door center.



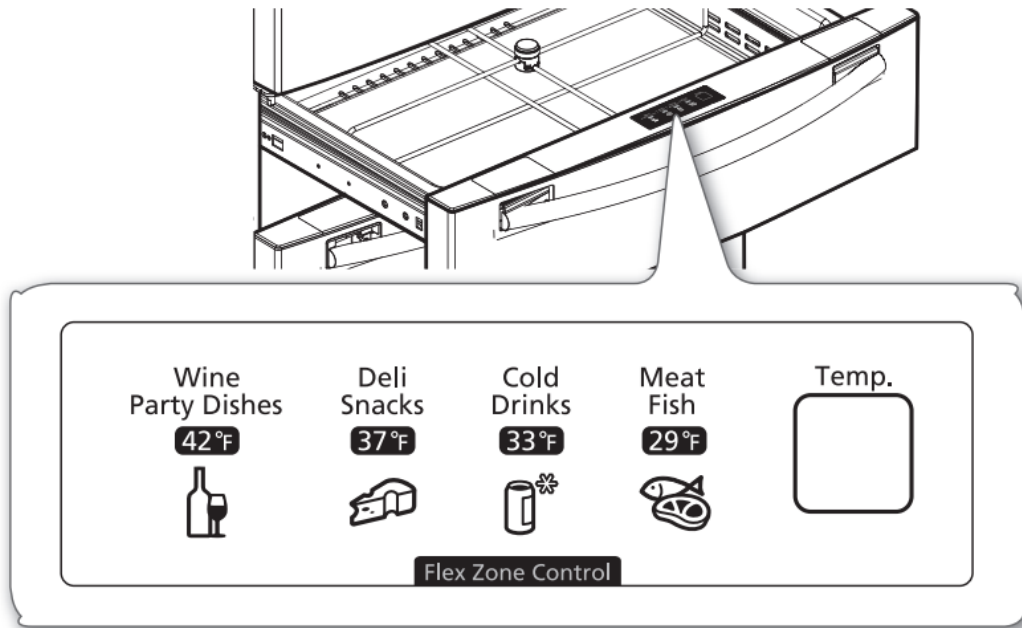
- Press the Temp button repeatedly until your desired mode is lit.
- Each time you press the Temp button, you change the mode in this order: Meat/Fish mode (29°F), Cold Drinks mode (33°F), Deli/Snack (37°F), Wine/Party Dishes (42°F) mode. Initially, the Cold Drinks mode is selected. The refrigerator will adjust the temperature in the Flex Zone automatically to the temperature you selected.
- The Flex Zone Temp. Display may change depending on the number of items inside, where they are located, the ambient temperature, and how often the door is opened.

### Temperature

You can select your Flex Zone temperature from Meat/Fish mode (29°F), Cold Drinks mode (33°F), Deli/Snack (37°F), or Wine/Party Dishes (42°F) mode.

### Selection Button

1. When “Wine/Party Dishes” is selected, the temperature of Flex Zone will be kept around 42°F (5°C). This feature helps keep food fresh for a long time.



2. When “Deli/Snack” is selected, the temperature of Flex Zone will be kept around 37°F (3°C). This feature helps keep food fresh for a longer time.

3. When “Cold Drink” is selected, the temperature of Flex Zone will be kept around 33°F (1°C). This feature also helps keep drinks cold and refreshing.

4. When “Meat/Fish” is selected, the temperature of Flex Zone will be kept around 29°F (-1°C). This feature also helps keep meat or fish fresh for a longer time.

<b>Wine Party Dishes</b>	<b>Deli Snacks</b>	<b>Cold Drinks</b>	<b>Meat Fish</b>
• <i>wine</i>	• <i>pineapples</i>	• <i>bottled water</i>	• <i>steaks</i>
• <i>cocktails</i>	• <i>lemons</i>	• <i>juice</i>	• <i>cold cuts</i>
• <i>cakes</i>	• <i>biscuits</i>	• <i>soft drinks</i>	• <i>bacon</i>
• <i>cheeses</i>	• <i>potatoes</i>	• <i>beer</i>	• <i>chili dogs</i>

**NOTE**

Fruit and vegetables may be damaged under the “Meat Fish” setting.

Do not store lettuce or other leafy produce in the Flex Zone.

**CAUTION** Do not store glass bottles in the Flex Zone under the “Cold Drinks” or “Meat/Fish” setting. If they are frozen, they can break and cause personal injury.



## USING THE DOORS

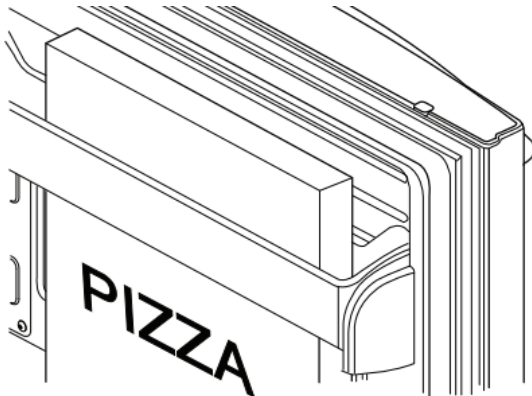
Ensure that the doors close all the way and are securely sealed.

When the refrigerator door is only partially open, it will automatically close. But, the door will stay open when opened more than the auto close range and you must close it manually

---

## USING THE TILTING POCKET

The Tilting Pocket can be used to store up to a 16" pizza if you place it as shown in the illustration.



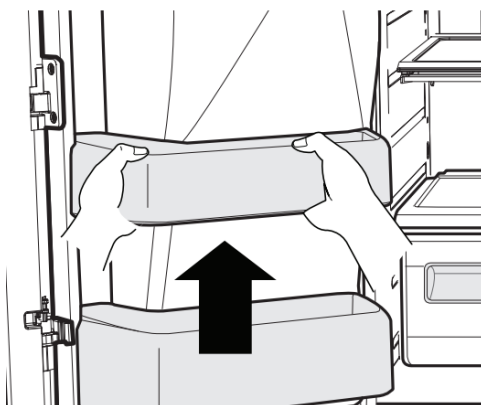
## MAINTENANCE & CLEANING

### REMOVING THE REFRIGERATOR ACCESSORIES

#### 1. Door Bins & Dairy Compartment

**To remove** - Simply lift the bin up and pull straight out.

**To relocate** - Slide it in above the desired location and push down until it stops.



### CAUTION

Injury may occur if the door bins are not firmly assembled.

Do not allow children to play with bins. Sharp corners of the bins may cause injury.

## NOTE

Do not adjust a bin full of food. Remove the food first.

Dust removal method - Remove the guard and wash in water.

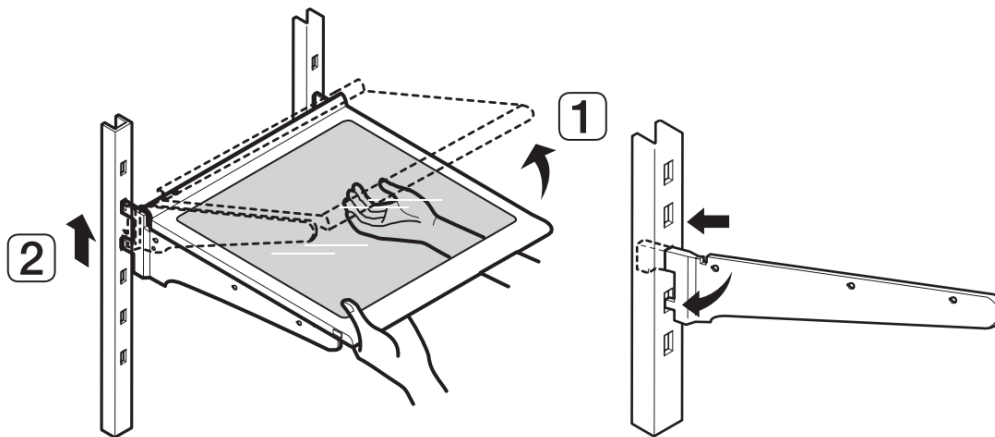
## 2. Tempered Glass shelves

**To remove** - Tilt up the front of the shelf in the direction shown ( 1 ) and lift it up vertically ( 2 ). Pull the shelf out.

**To relocate** - Tilt the front of the shelf up and guide the shelf hooks into the slots at a desired height. Then lower the front of the shelf so that the hooks can drop into the slots.

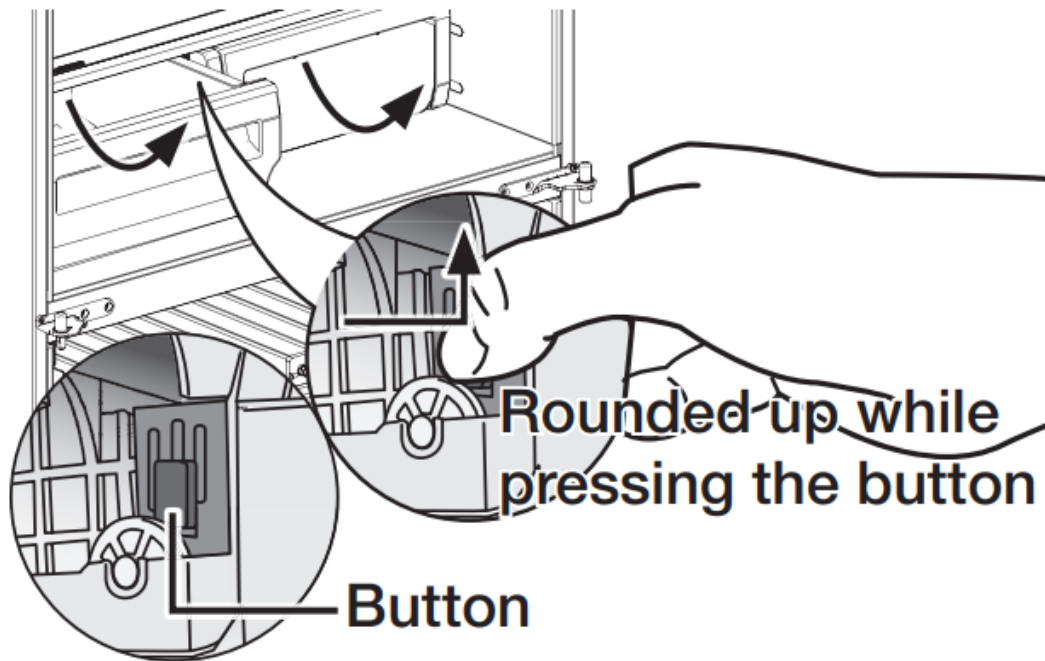
## CAUTION

- The Tempered Glass shelves are heavy.
- Use special care when removing them.



## 3. Vegetable & Fruit Drawers

- After pulling out completely the vegetable pan, take it out by lifting up the front and pull it forward.
- To remove the shelf of the vegetable pan, press the button on the left side of the shelf while you are lifting it. Pull it out slowly.



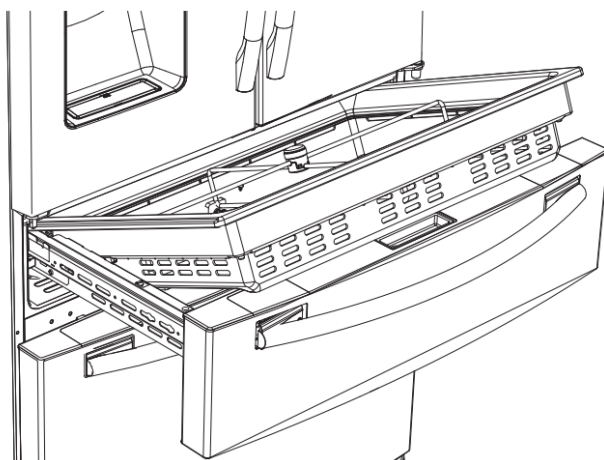
**CAUTION**

Reassemble in the inverse order of the disassembly. The assembly is completed when you hear a "Click".

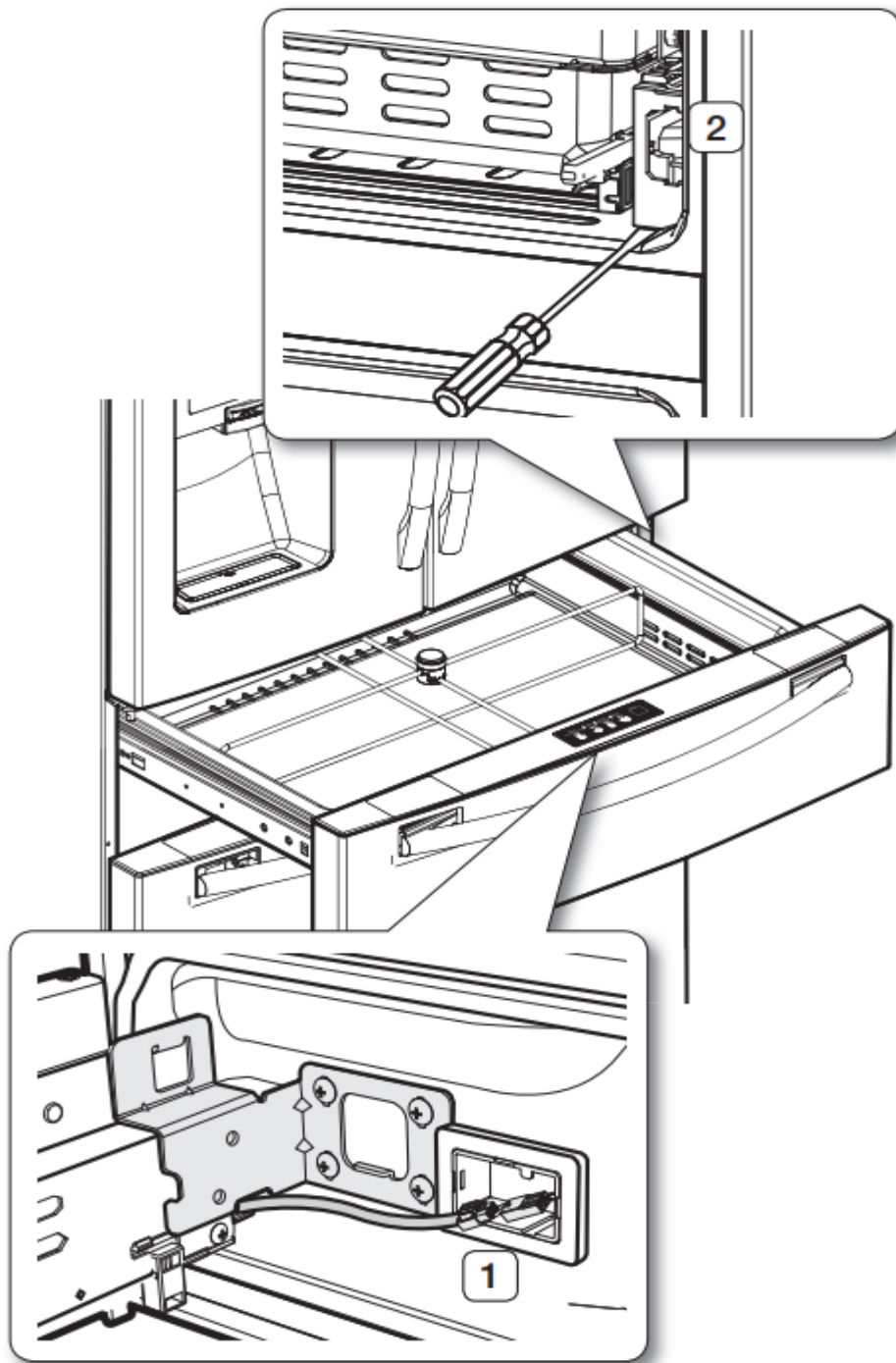
**4. Flex Zone**

**To remove the Flex Zone** – Pull the Flex door out to full extension. Lift the Flex Zone up, pulling it to your body with both hands.

**To relocate the Flex Zone** – Open the Flex door to full extension. Tilt the front of the Flex Zone up, place the back of the Flex Zone onto the rails, and then lower the front until the whole Zone rests on the rails.



**When the Flex Zone or LED lighting are not working, check the connectors [ ( 1 ), ( 2 ) shown below] for cracks or leaks.**

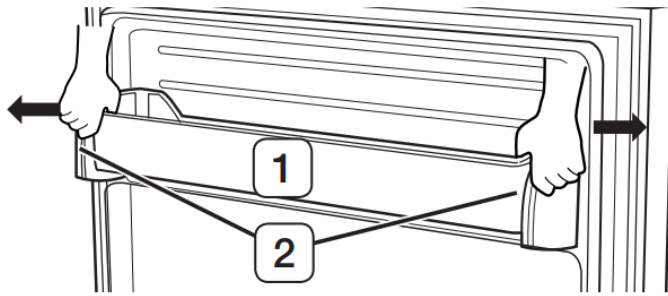


## REMOVING THE FREEZER ACCESSORIES

### 1. Tilting Pocket

**To remove** - Remove the tilting pocket ( 1 ) by pulling both support guards ( 2 ) aside. Take out both support guards by pulling them aside.

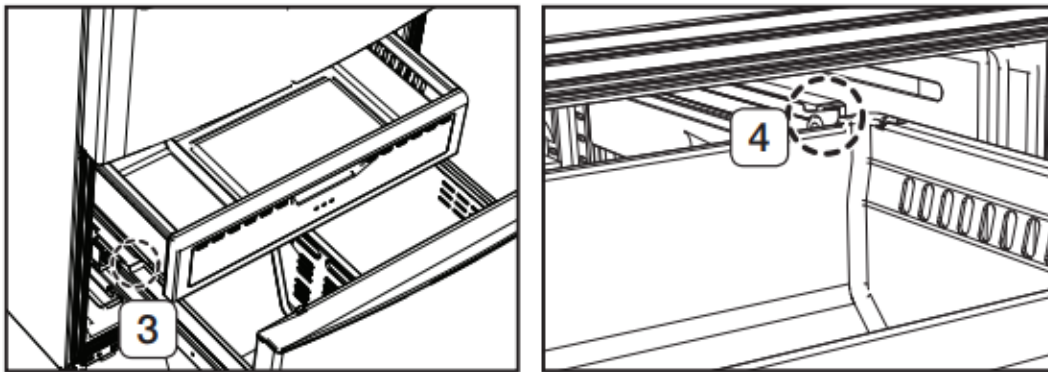
**To replace** - Hook the ends of the tilting pocket ( 1 ) onto the support guards ( 2 ) and push down until they lock into place



## 2. Super Extended Drawer

**To remove** - Pull the drawer out to full extension. Tilt up the rear of the drawer and lift straight out.

**To relocate** - Place the drawer onto the rails ( 4 ) by tilting it up. Lower the drawer into place until it is horizontal and slide the drawer ( 3 ) in.



## 3. Freezer Drawer

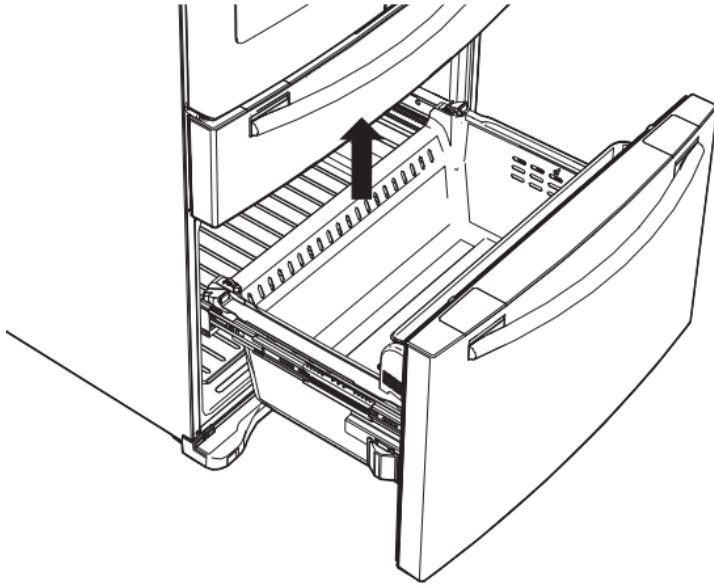
**To remove the freezer drawer** - Pull the freezer drawer out fully. Tilt up the rear of the bin and lift it out to remove.

**To relocate the freezer drawer** - Place the bin into the rail assembly.

### CAUTION

- You can scratch the side of the bin if you twist it left or right when disassembling or reassembling it.
- Do not allow babies or children go inside the freezer drawer. They could damage the refrigerator and seriously injure themselves.
- Do not sit on the freezer door. The door may break. Do not allow children to climb into the freezer drawer.
- Do not remove the divider.

**WARNING** If trapped inside, children may become injury and suffocate to death.



## **CLEANING**

### **Cleaning the Interior**

Clean the inside walls and accessories with a mild detergent and then wipe dry with a soft cloth. You can remove the drawers and shelves for a more thorough cleaning. Just make sure to dry drawers and shelves before putting them back into place.

### **Cleaning the Exterior**

Wipe the control panel and digital display with a damp, clean, soft cloth. Do not spray water directly on the surface of the refrigerator. The doors, handles and cabinet surfaces should be cleaned with a mild detergent and then wiped dry with a soft cloth. To keep your appliance looking its best, polish the exterior once or twice a year.

### **CAUTION**

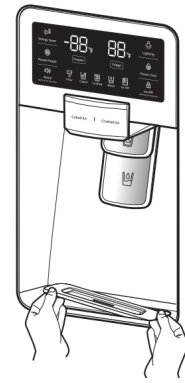
- Do not spray water directly or not use a wet or damp cloth.
- Do not use benzene, thinner, or Clorox for cleaning. They may damage the surface of the appliance and may cause a fire.
- Printed letters on the display may be erased if the stainless cleaner is applied directly to the area where the letters are printed.

### **Cleaning the Ice / Water Dispenser**

Push down one end of the tray dispenser and remove it. Wipe the Ice / Water Dispenser with a clean and soft cloth.

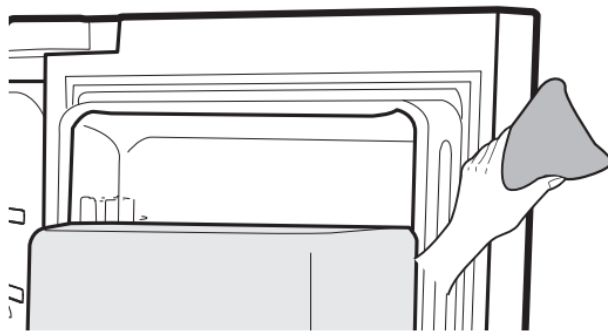
### **CAUTION**

When using the crushed ice selection from the dispenser some residual ice chips may start to collect in the ice chute. In order to prevent that residual ice from melting and running out of the chute you should clean out the residual ice when you see it start to collect in the ice chute.



### Cleaning the Rubber door seals

If the rubber door seals are dirty, the doors may not close properly, and the refrigerator will not operate efficiently. Keep the door seals free of dust or stain by cleaning the doors with a mild detergent and damp cloth. Wipe dry with a clean, soft cloth.



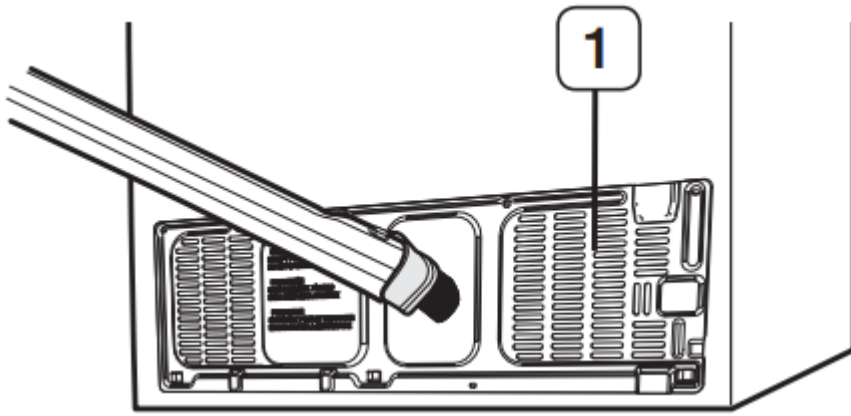
**CAUTION** Do not clean the refrigerator with benzene, thinner, or car detergent due to risk of fire.

### Cleaning the rear side of the refrigerator

To keep cords and exposed parts free of dust and dirt accumulation.

Vacuum the rear side of the appliance once or twice a year.

**CAUTION** Do not remove the back cover ( 1 ). You could suffer an electric shock.



# TROUBLESHOOTING



PROBLEM	SOLUTION
<p>The refrigerator does not work at all or it does not chill sufficiently.</p>	<ul style="list-style-type: none"> <li>• Check if the power plug is properly connected.</li> <li>• Check if the set temperature on the digital display is warmer than the freezer or fridge inner temperature. If it is, set the refrigerator colder.</li> <li>• Is the refrigerator in direct sunlight or located near a heat source?</li> <li>• Is the back of the refrigerator too close to the wall, preventing proper ventilation?</li> </ul>
<p>The food in the fridge is frozen.</p>	<ul style="list-style-type: none"> <li>• Check if the set temperature on the digital display is too low.</li> <li>• Try setting the refrigerator to a warmer temperature.</li> <li>• Is the temperature in the room too low? Set the refrigerator warmer.</li> <li>• Did you store the food which is juicy in the coldest part of the refrigerator? Try moving those items to the other shelves in the fridge instead of keeping them in the colder areas or bins.</li> </ul>
<p>You hear unusual noise or sounds.</p>	<ul style="list-style-type: none"> <li>• Check if the refrigerator is level and stable.</li> <li>• Is the back of the refrigerator too close to the wall, preventing proper ventilation? Try moving the back of the refrigerator at least 2 inches from the wall.</li> <li>• Was anything dropped behind or under the refrigerator?</li> <li>• A “ticking” sound is heard from inside the refrigerator. This is normal and occurs because various accessories are contracting or expanding according to the temperature of the refrigerator interior.</li> <li>• If it sounds as if something is hitting something else inside the refrigerator, this is normal. The sound is caused by the compressor operating at high capacity.</li> </ul>
<p>The cabinet-door sealing area of the appliance is hot and condensation is occurring.</p>	<ul style="list-style-type: none"> <li>• Some heat is normal as anti-condensators are installed in the vertical hinged section of the refrigerator to prevent condensation.</li> <li>• Is the refrigerator door ajar? Condensation can occur when you leave the door open for a long time.</li> </ul>
<p>Ice Maker is not producing ice.</p>	<ul style="list-style-type: none"> <li>• Did you wait for 12 hours after installation of the water supply line before making ice?</li> <li>• Is the water line connected and the shut-off valve opened?</li> <li>• Did you manually stop the ice making function?</li> <li>• Is the freezer temperature too warm? Try setting the freezer temperature lower.</li> </ul>



PROBLEM	SOLUTION
You can hear water bubbling in the refrigerator	<ul style="list-style-type: none"> <li>• This is normal. The bubbling comes from refrigerant circulating through the refrigerator.</li> </ul>
There is a bad smell in the refrigerator.	<ul style="list-style-type: none"> <li>• Check for spoiled food.</li> <li>• Foods with strong odors (for example, fish) should be tightly covered.</li> <li>• Clean out your freezer periodically and throw away any spoiled or suspicious food.</li> </ul>
Frost forms on the walls of the freezer.	<ul style="list-style-type: none"> <li>• Is the air vent blocked? Remove any obstructions so air can circulate freely.</li> <li>• Allow sufficient space between the stored foods for efficient air circulation.</li> <li>• Is the freezer drawer closed properly?</li> </ul>
Water dispenser is not functioning.	<ul style="list-style-type: none"> <li>• Is the water line connected and the shut-off valve opened?</li> <li>• Has the water supply line tubing been crushed or kinked?</li> <li>• Make sure the tubing is free and clear of any obstruction.</li> <li>• Is the water tank frozen because the fridge temperature is too low?</li> </ul> <p>Try selecting a warmer setting on the Digital display.</p>
Auto close system does not work with the freezer door.	<ul style="list-style-type: none"> <li>• Is there an imbalance between the right and left parts of the door?</li> <li>• Open and close the door smoothly 1~2 times.</li> </ul> <p>After you do this, the auto close system usually works properly again.</p> <ul style="list-style-type: none"> <li>• Try opening the door smoothly to avoid unbalancing the right and the left part of the door.</li> </ul>
Condensation or water drops forms on both sides of fridge door's central part.	<ul style="list-style-type: none"> <li>• Condensation or water drops may form if the humidity is too high while the refrigerator is operating.</li> <li>• If condensation or water drops appears on both sides of fridge door's central part, turn the Energy Saver mode off after removing the condensation.</li> </ul>

**Warning**



This content is compiled from multiple sources and is provided for reference purposes only. It may not be complete or fully applicable to all situations. If you are unable to resolve your issue, please contact the product manufacturer or an authorized service provider for official support.

---

Document generated by [ManualsFile](#)

