

SPECIFICATIONS

ZW4008

Power: 120VAC, 60Hz

Signal (Frequency): 908.4/916MHz

Maximum Loads: 960W, incandescent, 1/2HP motor or 1800W (15A) resistive

Range: Up to 150ft. line of sight between the wireless controller and the closest Z-Wave receiver module

Operating Temperature Range: 32-104° F (0-40° C)

Type 1 enclosure, independently mounted (vertical position only), operating control: type 1.c action, pollution degree (2), impulse voltage (2500V), software class A

For indoor use only

Specifications subject to change without notice due to continuing product improvement

ZW4008DV

Power: 120/277VAC, 60Hz

Signal (Frequency): 908.4/916MHz

Maximum Loads: 960W (120VAC)/1385W (277VAC) incandescent, 1/2HP (120/277VAC) motor or 1800W (15A) (120/277VAC) resistive

Range: Up to 150ft. line of sight between the wireless controller and the closest Z-Wave receiver module

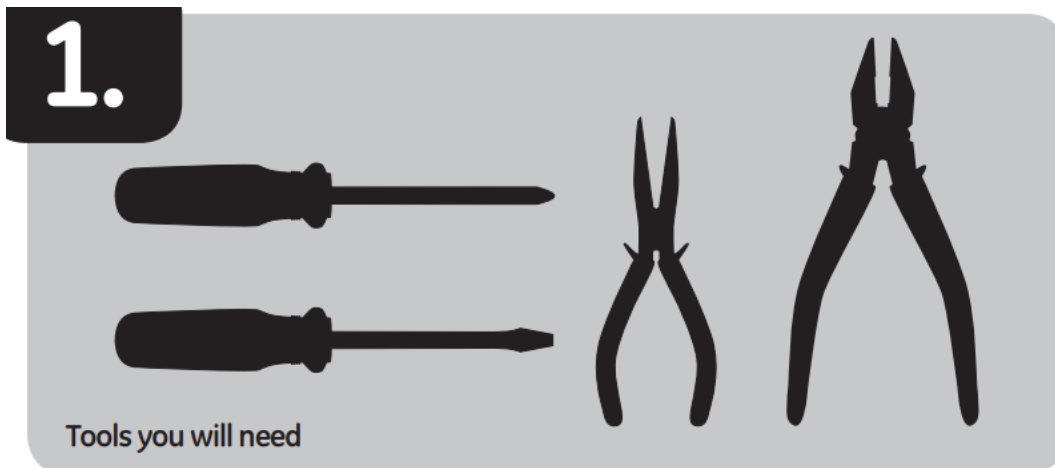
Operating Temperature Range: 32-104° F (0-40° C)

Type 1 enclosure, independently mounted (vertical position only), operating control: type 1.c action, pollution degree (2), impulse voltage (2500V), software class A

For indoor use only

Specifications subject to change without notice due to continuing product improvement

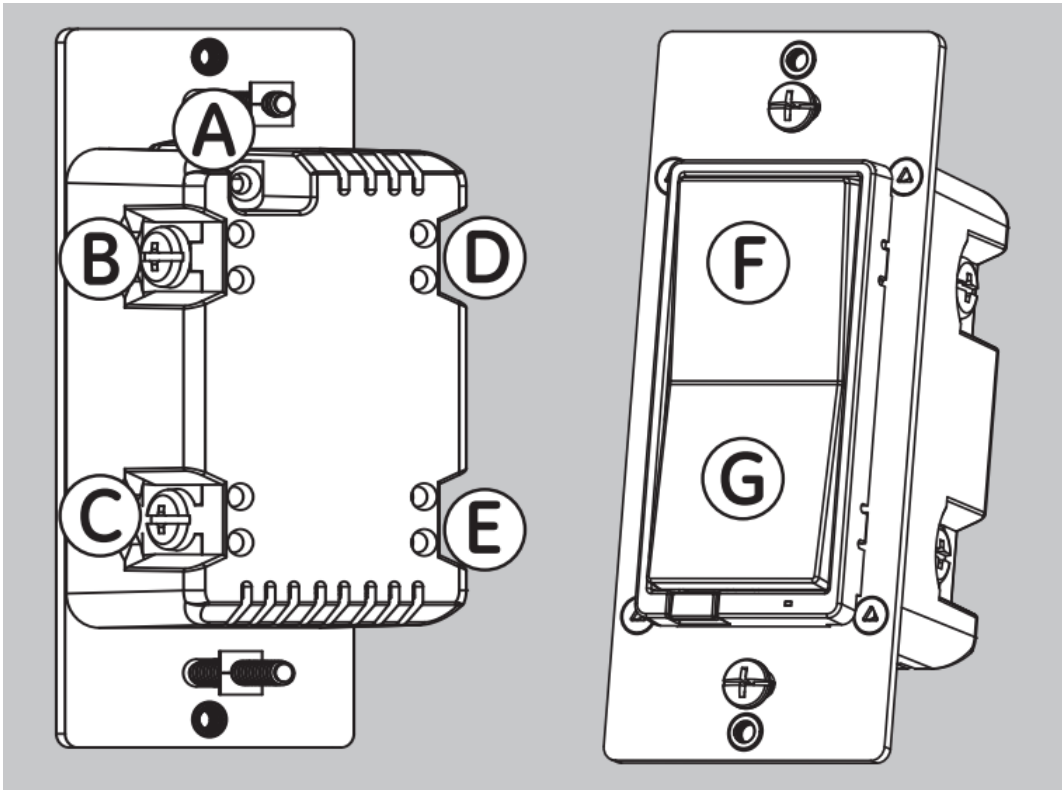
Tools you will need



Getting to know your new Z-Wave device

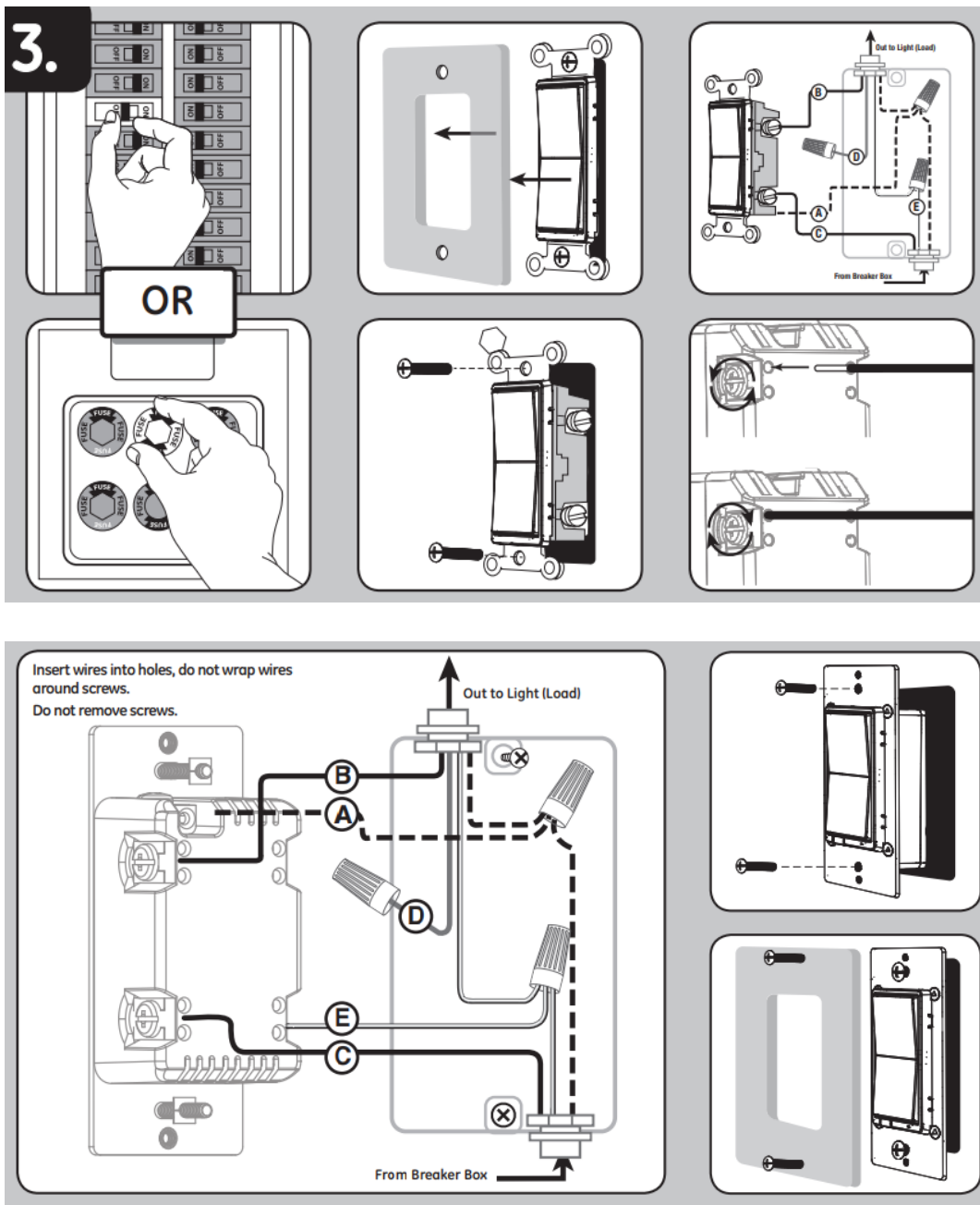
- Turn ON/OFF manually or remotely via the Z-Wave controller
- Can be added in multiple groups and scenes
- May be used in single pole installation or with up to four GE-branded Add-on Switches in 3-way or 4-way wiring configurations
- Compatible with all incandescent and CFL/LED bulbs
- Auto line/load detection
- Interchangeable paddle switch — white & light almond paddle in package
- Uses a standard, decorative-size wallplate for single-gang installations (wallplate not included)
- Blue LED indicates switch location in a dark room
- Z-Wave certified for simple pairing and integrated home automation
- Screw terminal installation — requires wiring connections for line (hot), load, neutral and ground. Traveler wire required for 3-way or 4-way installation
- This Z-Wave device has advanced features that allow you to customize your experience. These features can only be adjusted by a Z-Wave enabled controller that supports the Z-Wave configuration command class. For a complete list of adjustable configurations, visit [ezwave website](http://ezwave.com)

FEATURES



- A. Ground (Green/Bare)
- B. Line or Load (Black)
- C. Line or Load (Black)
- D. Traveler (Red/Other)
- E. Neutral (White)
- F. Top rocker — Press & release to turn switch ON
- G. Bottom rocker — Press & release to turn switch OFF

OPERATION



Multi-switch wiring

For 3-way installations, please refer to GE-branded Add-on Switch manual

Single-switch wiring

Before installation, you may wish to change the paddle color to match your wallplate or decor. Please proceed to section 5.

1. Shut off power to the circuit at circuit breaker or fuse box.

IMPORTANT! Verify power is OFF to switch box before continuing.

2. Remove wallplate.

3. Remove the switch mounting screws.
4. Carefully remove the switch from the switch box. DO NOT disconnect the wires.
5. There are up to five screw terminals on the switch; these are marked:
 - A. GROUND — Green/Bare
 - B. LINE OR LOAD — Black (connected to power or lighting)
 - C. LINE OR LOAD — Black (connected to power or lighting)
 - D. TRAVELER — Red/Other (only in 3-way installations)
 - E. NEUTRAL — WhiteMatch these screw terminals to the wires connected to the existing switch.
6. Disconnect the wires from the existing switch. Label wires according to the previous terminal connection.

Observe important wiring information

IMPORTANT! This switch is rated for and intended to only be used with copper wire.

Wire gauge requirements

Use 14AWG or larger wires suitable for at least 80° C for supplying line (hot), load, neutral, ground and traveler connections.

Wire strip length:

1. For attachment using the enclosure's holes, strip insulation 5/8in. (16mm).

UL specifies that the tightening torque for the screws is 14Kgf-cm (12lbf-in).
2. Connect the green or bare copper ground wire to the GROUND terminal.
3. Connect the black wire from the light to either LINE/LOAD terminal.
4. Connect the black wire from the electrical service panel (hot) to either LINE/LOAD terminal.
5. Connect the white wire to the NEUTRAL terminal (use a jumper wire if needed).

Note: The traveler terminal is only used for 3-way or 4-way wiring and should remain insulated if the switch is being installed in a 2-way system (one switch & one load).

6. Insert switch into the switch box being careful not to pinch or crush wires.
7. Switch must be independently mounted (vertical position only).
8. Secure the switch to the box using the supplied screws.
9. Mount the wallplate.
10. Reapply power to the circuit at fuse box or circuit breaker and test the system.

Basic operation

The connected light can be turned ON/OFF in two ways:

1. Manually from the front panel of the switch.
2. Remotely with a Z-Wave controller.

Manual control

The front panel rocker switch allows the user to, turn ON/OFF the connected fixture.

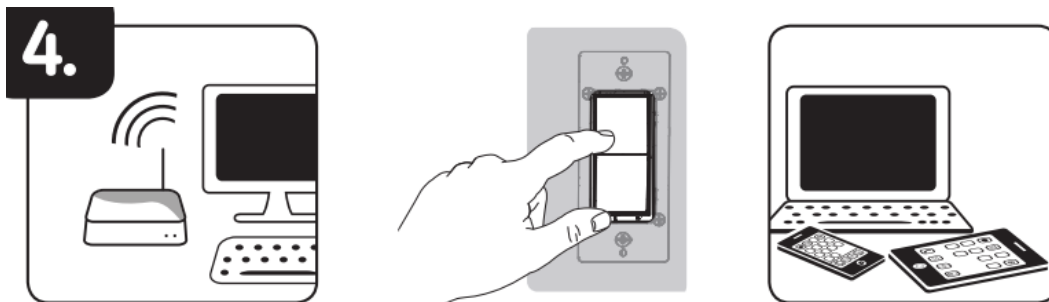
1. To turn the connected fixture ON, press and release the top of the rocker.
2. To turn the connected fixture OFF, press and release the bottom of the rocker.

Cycle LED light

The LED below the switch acts as a guide light or status indicator.

How to cycle through options: Press up three times and down once quickly.

1. LED is ON when the load is off (guide light in the dark) (default)
2. LED is ON when the load is ON (indicates the switch is ON)
3. LED is always OFF
4. LED is always ON (illuminates switch in the dark)



Adding your device to a Z-Wave network

1. Follow the instructions for your Z-Wave certified controller to add a device to the Z-Wave network.
2. Once the controller is ready to add your device, press and release the top or bottom of the wireless smart switch (rocker).

Now you have complete control to turn your fixture ON/OFF according to groups, scenes, schedules and interactive automations programmed by your controller.

If your Z-Wave certified controller features remote access, you can control your fixture from your mobile devices.

To remove and reset the device

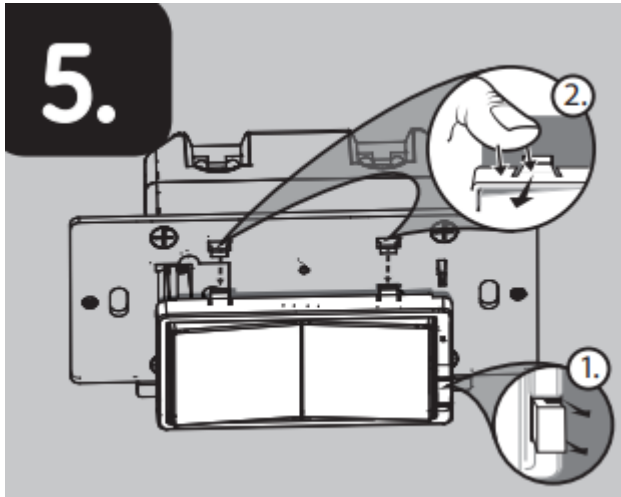
1. Follow the instructions for your Z-Wave certified controller to remove a device from the Z-Wave network.

2. Once the controller is ready to remove your device, press and release the top or bottom of the wireless smart switch (rocker).

To return your switch to factory defaults

1. Quickly press ON (top) button three times then immediately press the OFF (Bottom) button three times. The LED will flash ON/OFF five times when completed successfully.

Note: This should only be used if your network's primary controller is missing or otherwise inoperable.



To change color of the paddle

This step is optional. Before installation, you may want to change the color of the paddle to match your wallplate or decor.

1. Lift the air gap tab at the base of the paddle.
2. Push side tabs in on one side and then the other to release paddle. Lift the cover up and off.
3. Simply put the new paddle onto the switch by inserting the air gap and side tabs and snapping securely into place.

Once this step has been completed, please return to section 3.

Warning

This content is compiled from multiple sources and is provided for reference purposes only. It may not be complete or fully applicable to all situations. If you are unable to resolve your issue, please contact the product manufacturer or an authorized service provider for official support.