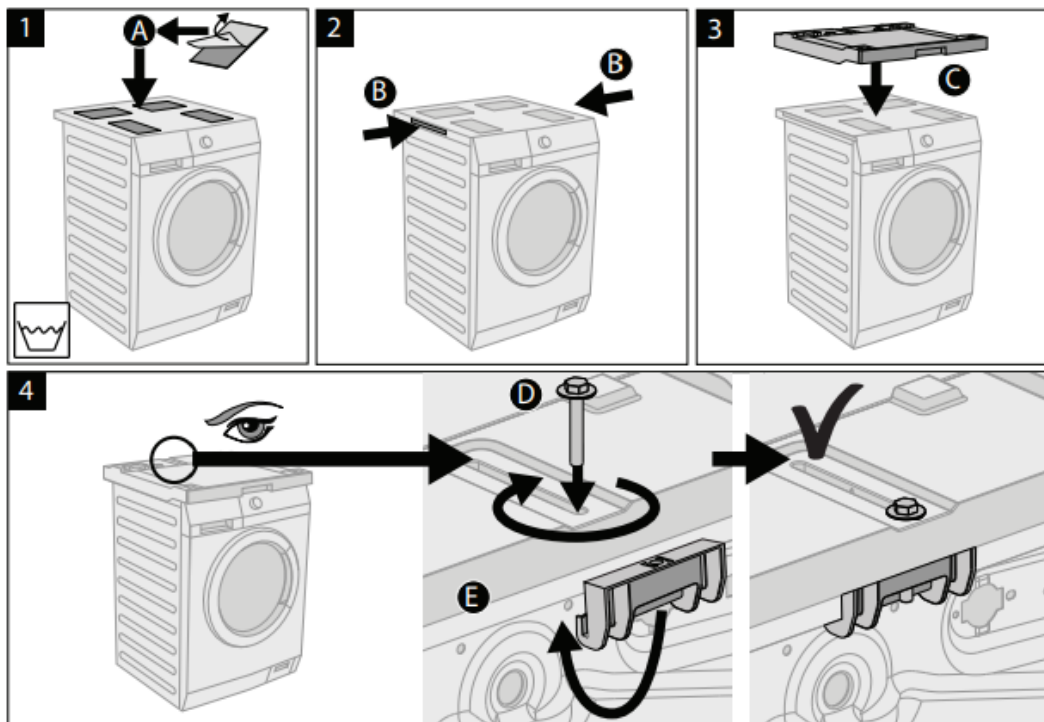
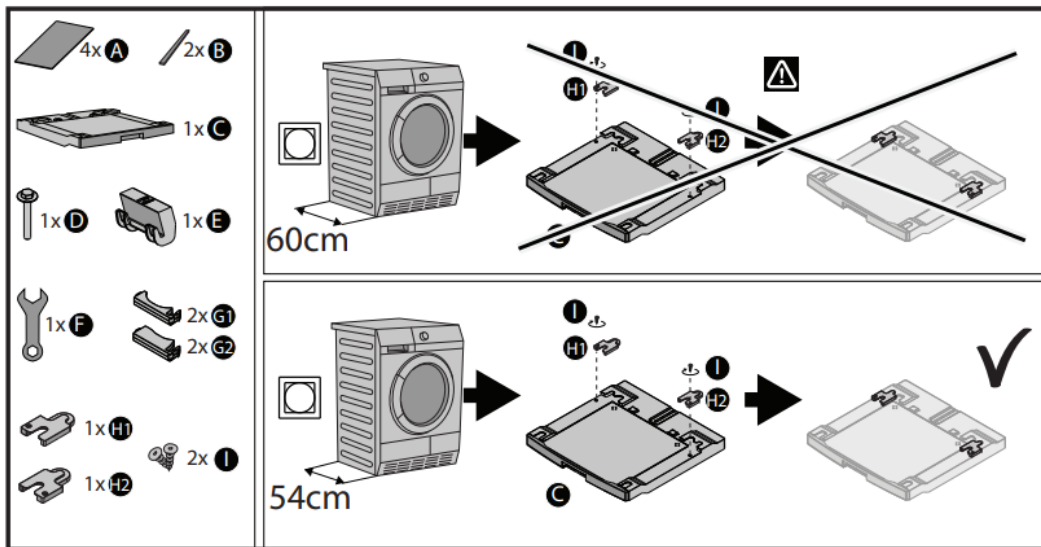
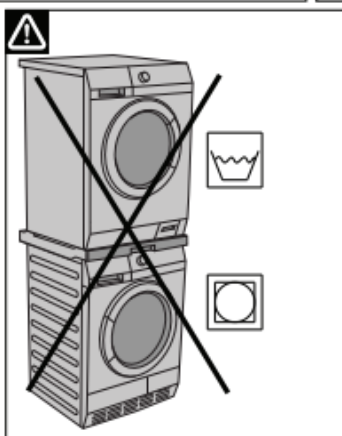
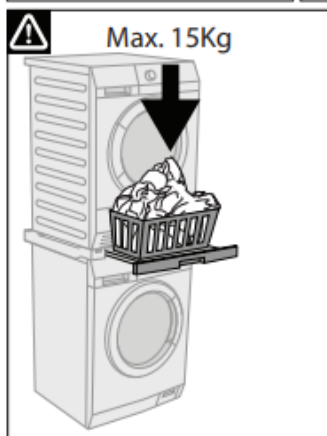
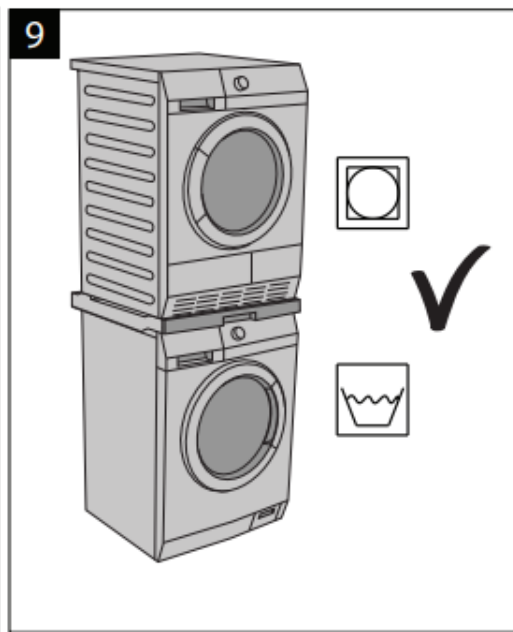
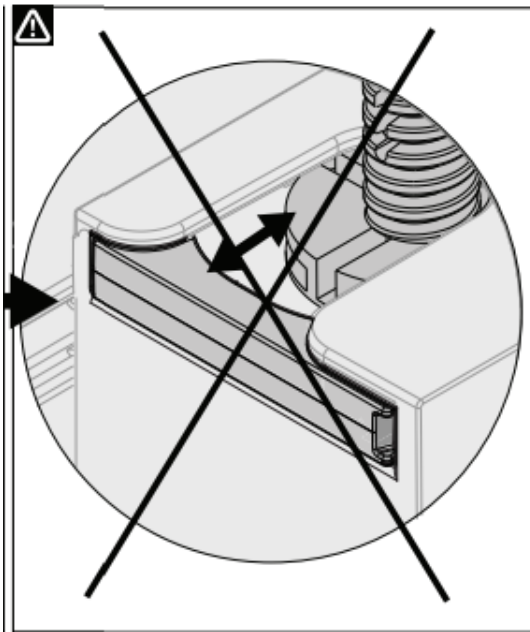
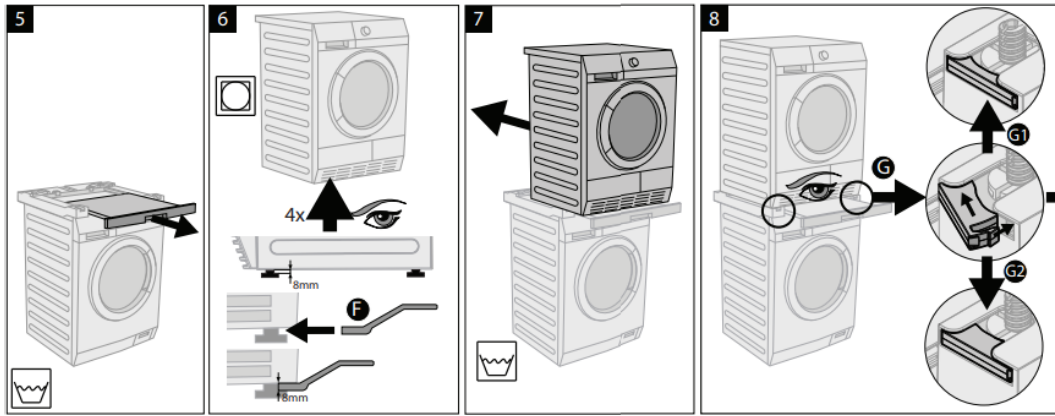
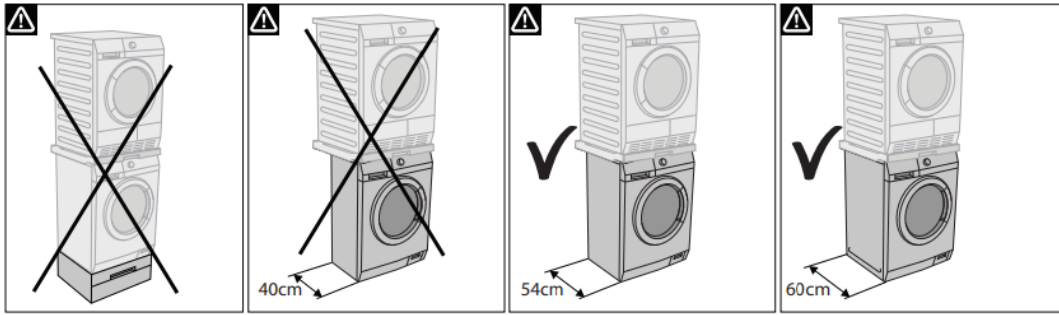


## Stacking Kit - MOUNTING INSTRUCTIONS







## FREQUENTLY ASKED QUESTIONS

### What does it mean if I have an error code on my display of my appliance?

Please refer to your user manual for details on what the error message means, or contact AEG First Klasse Care on 1300 363 664 and we will be glad to assist you with information about what the error message means.

### How do I connect my appliance to the AEG Home app?

Simply download the AEG Home app from the Apple or Google Play app stores. Follow the instructions on the screen to connect your appliance or watch the 'How to Connect' video.

### What are the opening times for the AEG First Klasse Care Support team?

The AEG First Klasse Care Team are available seven days a week.

- Monday-Friday 8am-7pm
- Saturday 9am-3pm
- Sunday 10am-3pm

All times are Eastern Standard Time.

### Appliance is not working, how do I get it fixed?

We have qualified factory technicians available to assist with the repair of your appliance. Simply book a service and repair online. Alternatively, call AEG First Klasse Care on 1300 363 664 or contact us and we will be glad to assist you.

### Are AEG power tools part of AEG Appliances?

No, AEG Power Tools are a different company.

### How do I care for my new appliance?

We have a selection of easy to follow How to Videos to help you care for your appliances.

### What do the icons on my appliance mean?

If you are unsure about the meaning behind the icons on your appliance you can always refer to the user manual that accompanied your appliance. Simply go to User Manuals and type in your model number to download the relevant user manual.

### **I need help selecting the best appliance**

Simply use our Buying Guides to help you in your selections.

### **Can you help with appliance installation and connection?**

Yes, we can. Simply contact the AEG First Klasse Care team for assistance and more information on appliance connections and installations. [Click here](#) for more information.

### **How do I change my service booking?**

You can amend your service booking details online, simply select 'Manage my Booking'. Alternatively, call AEG First Klasse Care on 1300 363 664 or contact us and we will be glad to assist you.

### **Where can I get a copy of the user manual?**

Simply go to User Manuals and type in your model number to download the relevant user manual.

### **How can I remove stickers from my AEG appliance safely?**

Simply peel the stickers off. We recommend using eucalyptus oil to help remove any sticker residue from your appliance.

### **Where do I go for warranty queries?**

Please call AEG First Klasse Care on 1300 363 664 or contact us and we will be glad to assist you.

### **Where can I buy accessories for my appliance?**

Accessories can be purchased from the AEG Shop or see your AEG specialist retailer. Alternatively please call AEG First Klasse Care on 1300 363 664 or contact us and we will be glad to assist you.

### **Where can I buy AEG Appliances?**

Simply go to Where to buy and type in your post code to find your nearest AEG retailer.

A Stacking Kit specifically designed for AEG Washers and Dryers — featuring a convenient pull-out bench, integrated handle and matching white facade.



## FEATURES

- Convenient slide-out bench
- Easy-to-grip moulded handle
- Adjustable rear fastening bracket
- Matching white facade
- Space maximising design

## BENEFITS

### **Convenient slide-out bench**

The convenient slide-out bench allows you to easily load and unload clothes in and out of your dryer without the need for constant bending

### **Easy-to-grip moulded handle**

The moulded integrated handle ensures an easy and stable means of sliding out the bench.

### **Adjustable rear fastening bracket**

Fit the stacker perfectly to your washer and dryer for a stable and secure washing experience.

### **Matching white facade**

The stacker is the same colour as your washer and dryer, creating a stylish and seamless flow between the two machines

### **Space maximising design**

This stacker was designed specifically for your washer and dryer and allows you to maximise the valuable real estate within your laundry.

#### **Warning**

This content is compiled from multiple sources and is provided for reference purposes only. It may not be complete or fully applicable to all situations. If you are unable to resolve your issue, please contact the product manufacturer or an authorized service provider for official support.