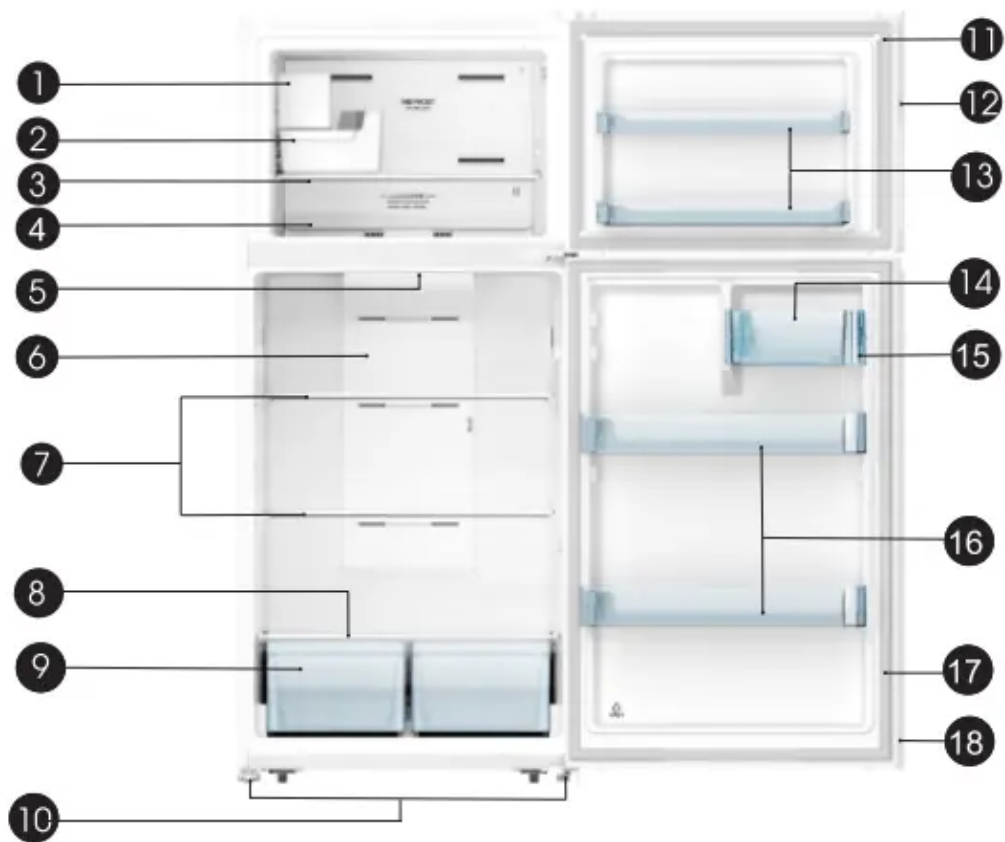
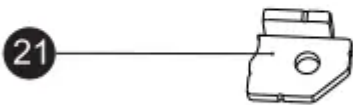
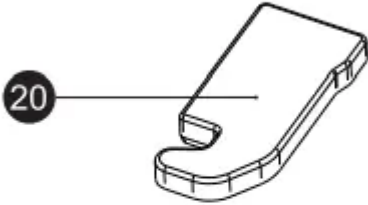
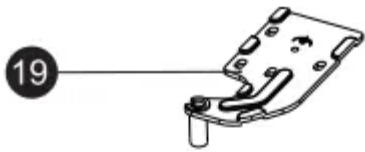


### Refrigerator Overview:





- 1 Automatic Icemaker (Optional)
- 2 Ice Container (Optional)
- 3 Glass Shelf
- 4 Freezer Air Duct
- 5 LED Light
- 6 Fridge Air Duct
- 7 Wire shelves
- 8 Crisper Cover
- 9 Crisper Drawers
- 10 Adjustable bottom feet
- 11 Freezer Door Gasket
- 12 Freezer Door
- 13 Freezer Door Bins
- 14 Dairy Bin Cover 15 Dairy Bin
- 16 Gallon Door Bins
- 17 Fridge Door Gasket
- 18 Fridge Door

## Package Contents



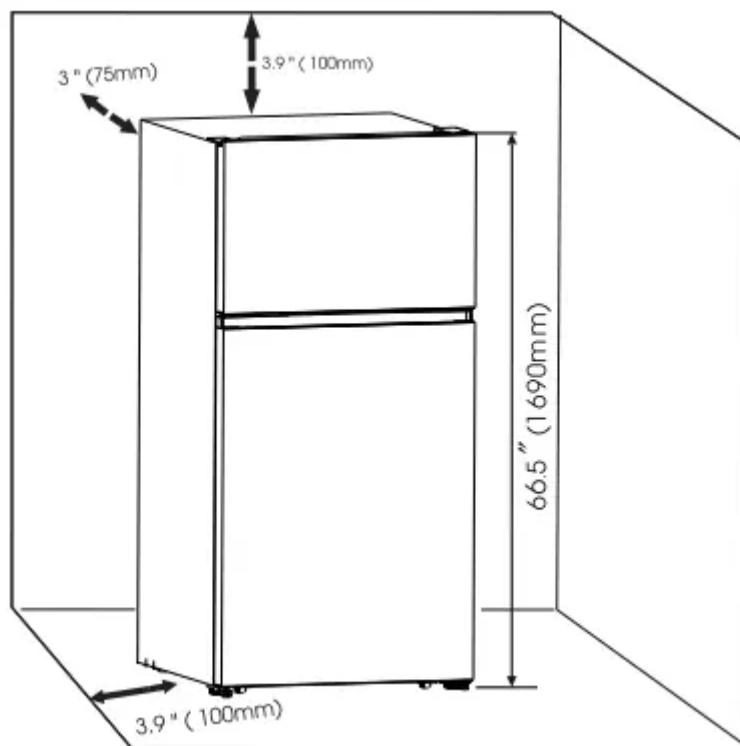
- 19 Upper left hinge (x1)
- 20 Left hinge cover
- 21 Stopper block (x2)

**Spare parts for reversing the door**

- 22 Door stopper (x2)
- 23 Allen wrench

## Installing Your New Appliance

Before using the appliance for the first time, you should be informed of the following tips.

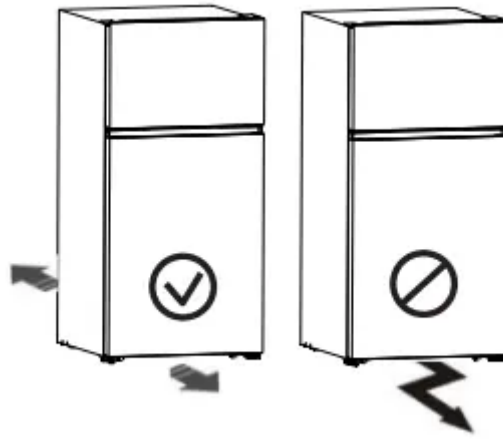


**Warning!**

For proper installation, this refrigerator must be placed on a level surface of hard material that is the same height as the rest of the flooring. This surface should be strong enough to support a fully loaded refrigerator.

The rollers, which are not castors, should be only used for forward or backward movement. Moving the refrigerator sideways may damage your floor and the rollers.





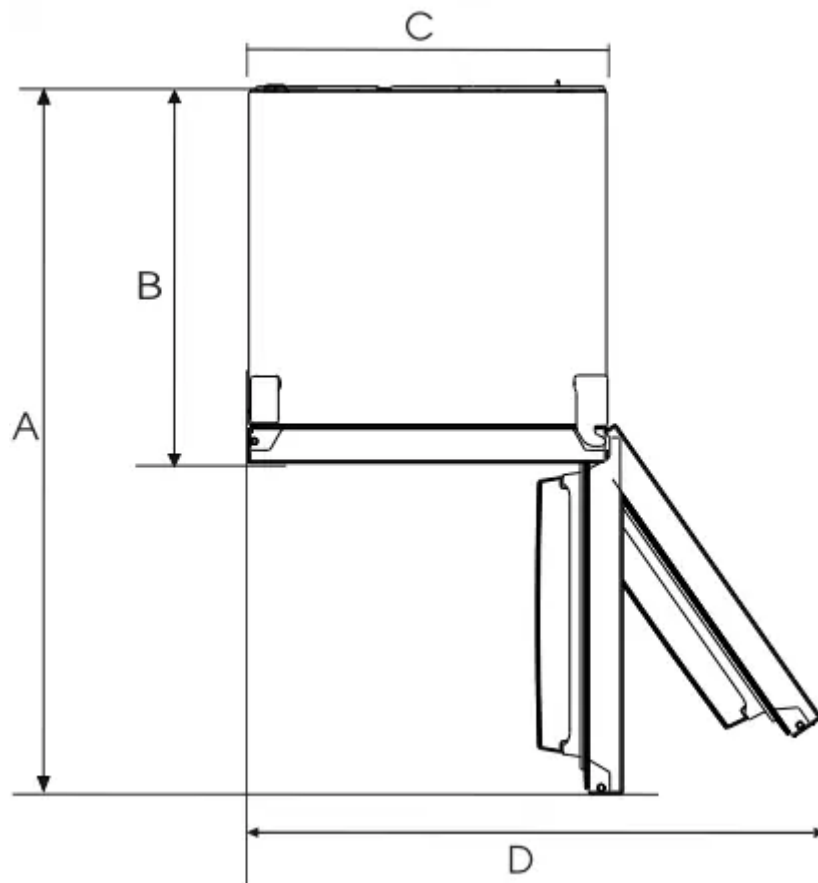
### Ventilating the Appliance

In order to improve efficiency of the cooling system and save energy, it is necessary to maintain good ventilation around the appliance for the dissipation of heat. For this reason, sufficient clear space should be available around the refrigerator.

### Suggestion

It is advisable for there to be at least 3 inches (75mm) of clearance from the back of the fridge to the wall, at least 3.9 inches (100mm) of clearance from its top, at least 3.9 inches (100mm) from its side to the wall and a clear space in front to allow the doors to open 125°. As shown in following diagrams.

A	58.1 "(1476mm )
B	30.7 "(779mm )
C	29.5 "(750mm)
D	47.3 "(1 201mm)



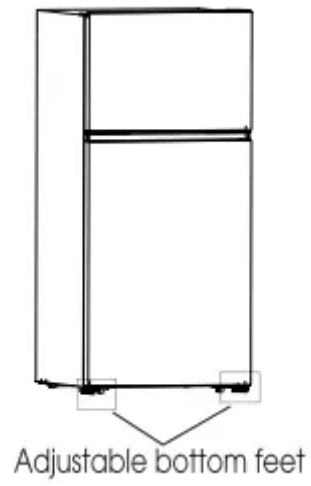
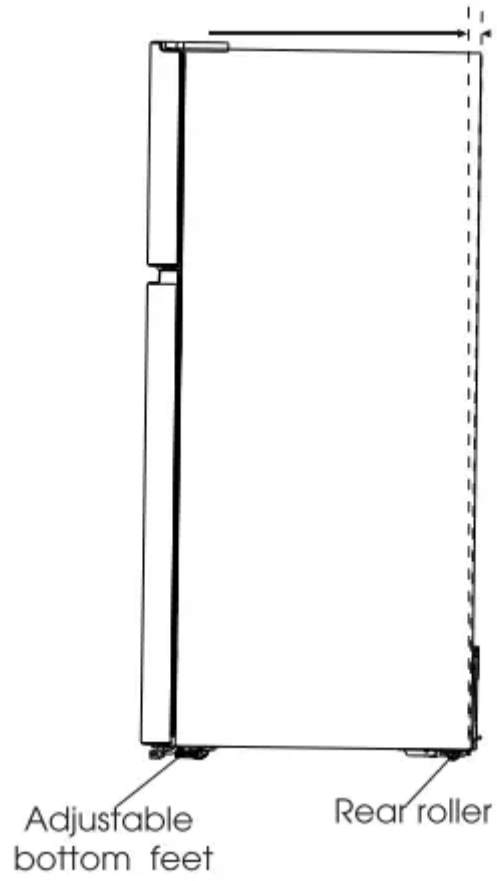
### Note

- This appliance performs well with ambient temperature between 55°F (12.8°C) to hot (43.3°C). The appliance may not work properly if left at a temperature above or below the indicated range.
- Stand your appliance in a dry place to avoid high moisture.
- Keep the appliance out of direct sunlight, rain or frost. Stand the appliance away from heat sources such as stoves, fires or heaters.


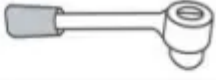



### Leveling the Appliance

- For sufficient leveling and air circulating in the lower rear section of the appliance, the bottom feet may need to be adjusted. You can adjust them manually by hand.
- To allow the doors to self-close, tilt the top backwards by 3/8~5/8 inches (10-15mm).

3/8" - 5/8" ( 10mm - 15mm)



## Tools you may need

Not provided		
	Phillips Screwdriver	Socket Wrench (5/16", 8mm)
		
	Slotted Screwdriver	Putty Knife
Provided		
	Allen Wrench (5/32", 4mm)	

## Reversing the Fridge Door

The side at which the door opens can be changed, from the right side (as supplied) to the left side, if the installation site requires.

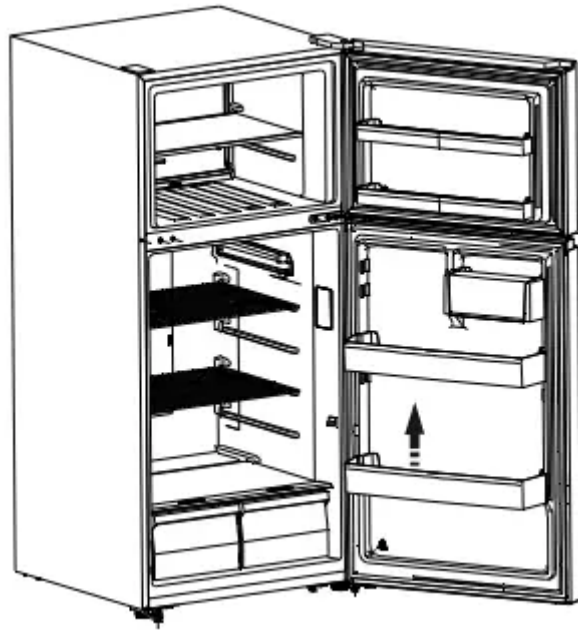
### Warning!

When reversing the door, the appliance must not be connected to the mains. Ensure that the plug is removed from the power socket.

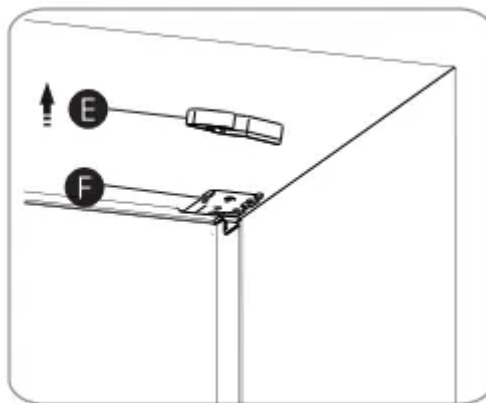
### Note:

When required, tilt the refrigerator back in order to gain access to the base, you should rest the appliance on soft foam packaging or similar material to avoid damaging the backboard of the refrigerator. To reverse the door, the following steps are generally recommended.

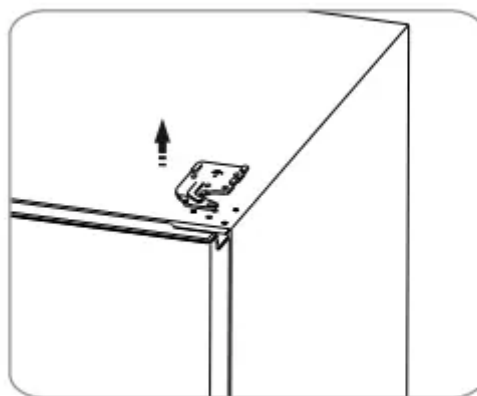
1. Stand the refrigerator upright. Open the upper door to take out all door racks (to avoid damaged racks) and then close the door.



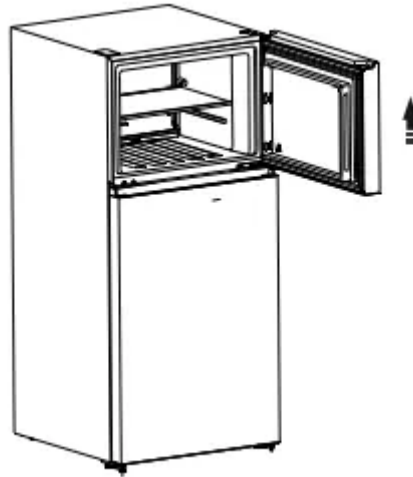
2. With the door closed, remove the upper hinge cover (E) (you can pry it up with a Slotted Screw driver) on the top right side of appliance and remove 3 special flange screws (F) with a Socket Wrench. Keep the upper hinge cover for future reference.



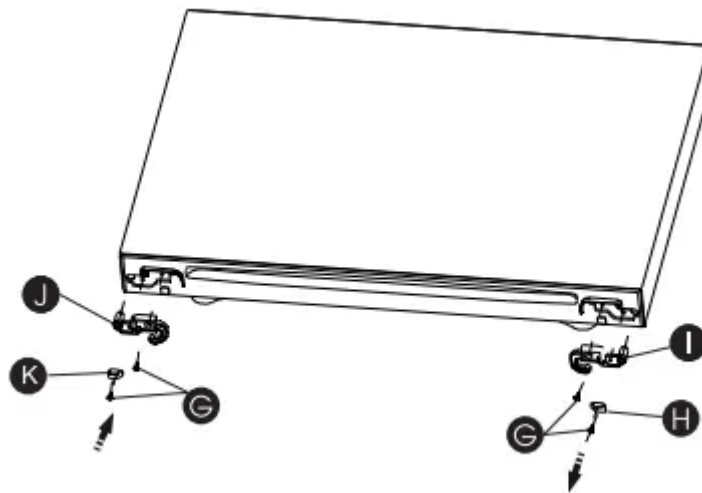
3. Remove the upper hinge (Please hold upper door by hand when installing). Keep it for future use.



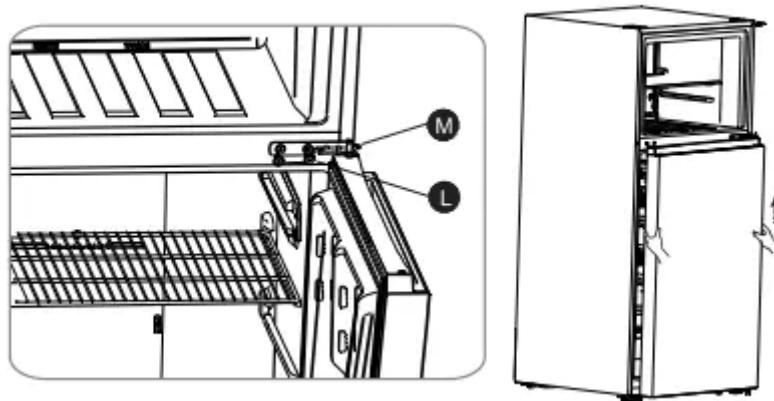
4. Use both hands to open the door more than 90°. Lift it up and take it off.



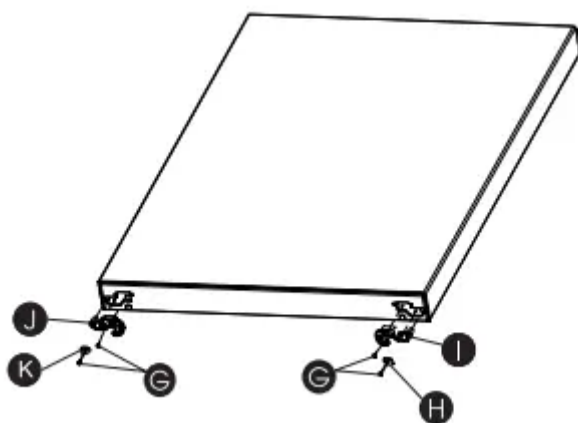
5. Loosen the two screws (G) on the right bottom of the freezer door, then take out the right stopper block (H) and the right door stopper (I). Then install the left stopper block (K) and the left door stopper (J) (provided in the plastic bag).



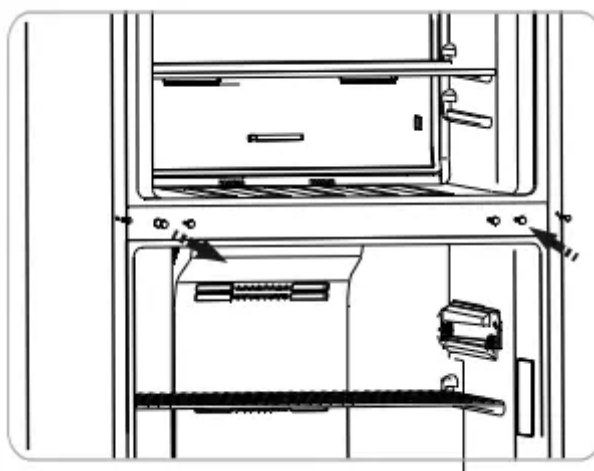
6. Open the fridge door, then loosen 2 screws (1) with a 4mm Allen Wrench (provided in plastic) and remove middle hinge (m). Keep the middle hinge (m) for future use. Remove the fridge door from the lower hinge.



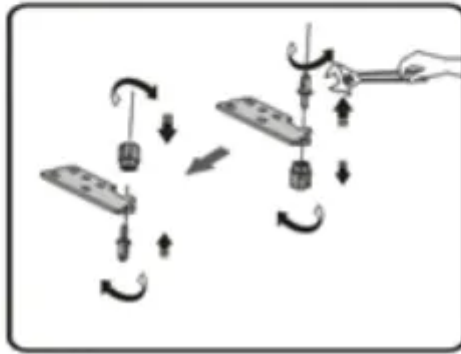
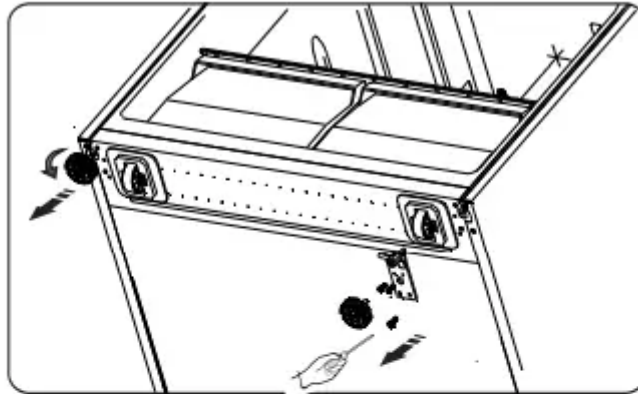
7. Place the fridge door on a smooth surface with its panel upward. Loosen the two screws (G) on the right bottom of the fridge door, then take out the right stopper block (H) and the right door stopper block (I). Then install the left stopper block (K) and the left door stopper (J).



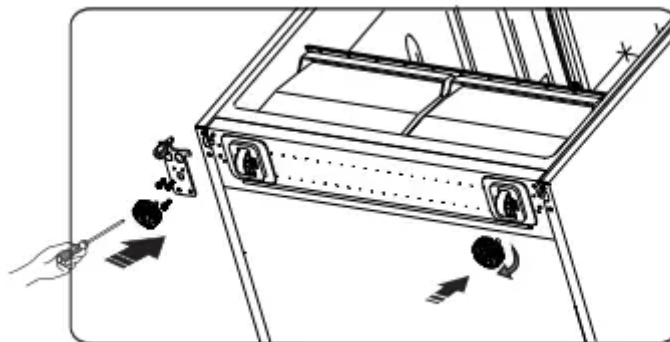
8. Change the screw hole covers and the screws on the middle cover plate from left to right.



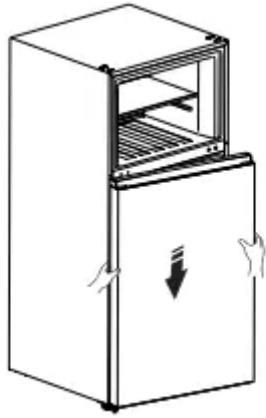
9. Lay the refrigerator on soft foam packaging or similar material. Remove both adjustable bottom feet parts, and the lower hinge part by unscrewing the special flange selftapping screws. Loosen the lower hinge axis then install it on the reverse hole site.



10. Move the lower hinge part to the left side and screw it on with the special flange self-tapping screws. Move the adjustable bottom feet parts to the other side and screw them.



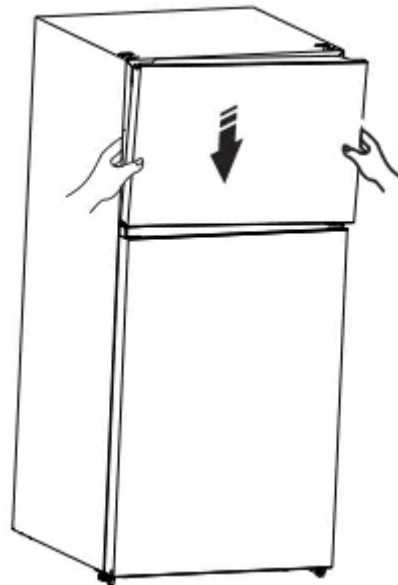
11. Stand the refrigerator upright and carefully slot the fridge door onto the lower hinge pin and hold it in position.



12. Turn the middle hinge part 180 degrees, insert the middle hinge axis into the hole in the upper left side of the fridge door and tighten the bolts.

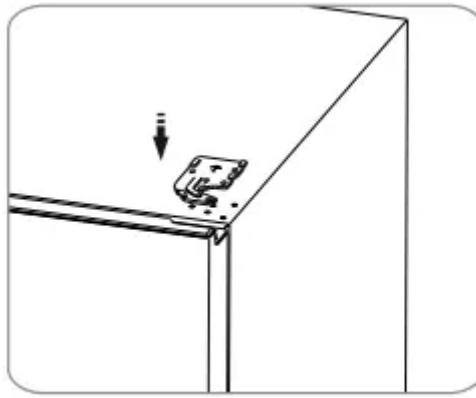


13. Hold the freezer door in the appropriate position. Make sure the door is level and insert the middle hinge axis into the into the lower hole of the freezer door.

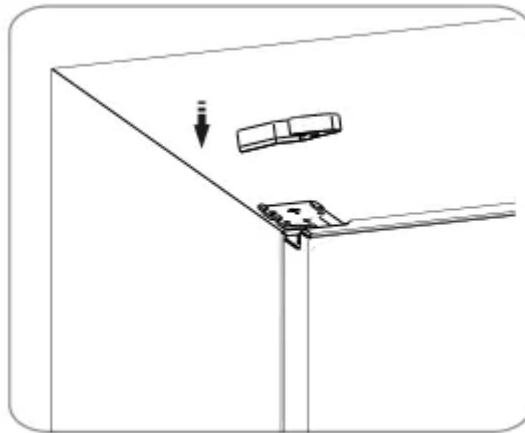


14. Remove the left upper hinge from plastic bag provided. Then attach it on the top left side.





15. Remove the upper hinge cover from the plastic bag provided, and install it.



## Display Controls


### **Controlling the Temperature**

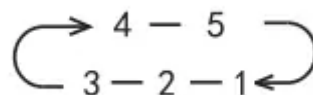
We recommend that when you start your refrigerator for the first time, the temperature for the refrigerator is set to \*3" and the freezer is set to the middle position. If you want to change the temperature, follow the instructions below.

**Caution:** When you set a temperature, you set an average temperature for the whole refrigerator cabinet. Temperatures inside each compartment may vary from the temperature displayed on the panel, depending on how much food you store and where you place them. Ambient temperature may also affect the actual temperature inside the appliance.

### **1. Fridge**





You can press the  button to select a temperature setting. When you press the button continuously, the temperature will be set in the following sequence.



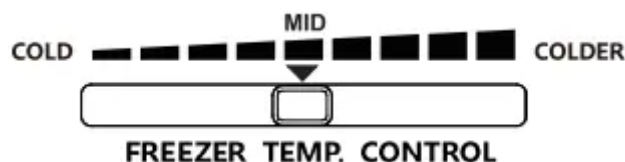
**Important!** High ambient temperatures (e.g. on hot summer days) and a colder setting on the temperature regulator can cause the compressor to run continuously or even non-stop! We do not advise the user set the temperature at "5" or "1" in normal.

### Demo mode

Demo mode is for store display, and it prevents the refrigerator from generating cool air. In this of Cooling Off Mode, the refrigerator may seem like it is working but it will not make cool air. Press the  button for 3 seconds, and the refrigerator will be set into demo mode. Then all of the figures on the control panel will lighten. To cancel this mode, press

 for 3 seconds and the refrigerator begins cooling again.

### 2. Freezer

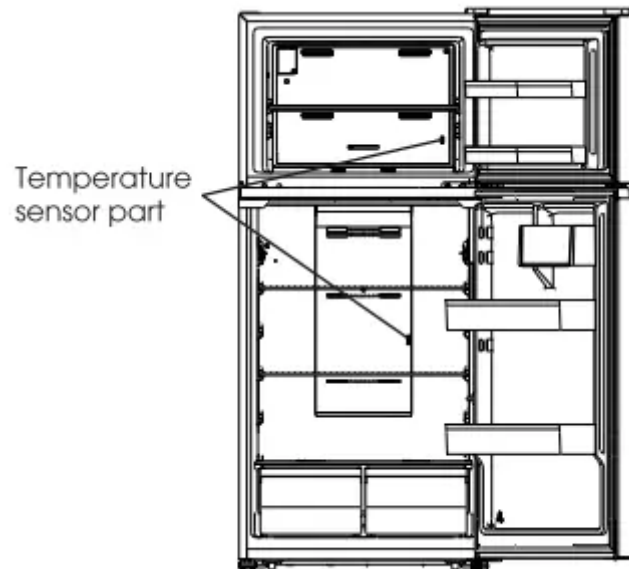


When using the refrigerator in normal conditions, please set the temperature regulator at the middle position.



**Important!** We do not advise the user set the temperature control knob at "COLDER" for too long. Doing so the temperature drops fastest in the freezer, and the temperature in refrigerator will rise. If there is food in the refrigerator, don't keep it in this mode for too long. If the user set the temperature controller at "COLD" position, the temperature in the freezer is higher than that in normal mode. This mode is only recommended when there is no food in the freezer.

**Important!** Don't place too much food directly against the air outlet of the temperature sensor part in the air channel cover of the refrigerator compartment, as it will affect the proper operation of the appliance.



## Using your Appliance

This section tells you how to use most of the useful features. We recommend that you read through them carefully before using the appliance.

### **1. Using your Refrigerator Compartment**

The refrigerator compartment is suitable for storage of vegetables and fruit. Food inside should be packed to store in order to avoid losing moisture or flavor permeating into other foods.

**CAUTION:** Never close the refrigerator door while the shelves, crisper and/or telescopic slides are extended. It may damage both them and the refrigerator.

#### **Wire shelves and door bins**

The refrigerator compartment is provided with shelf parts and door bins, which are suitable for the storage of eggs, canned liquid, bottled drinks and packed food.

They can be placed at different heights according to your needs. However, do not place too many heavy things in the bins. Before you lift up the door bin vertically, please take the food out.



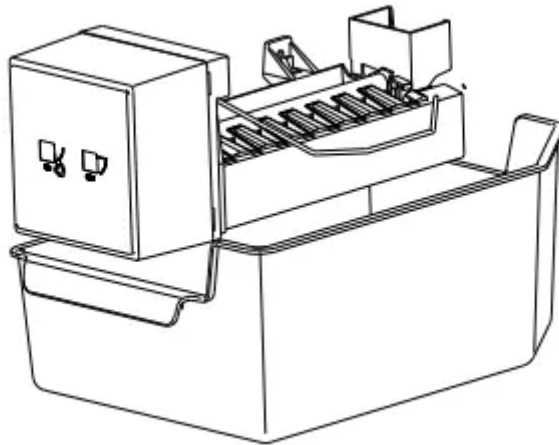
### Crisper Drawer

This is suitable for storage of fruits and vegetables. It can be removed for cleaning. To remove open the door fully. Then pull out the drawer and tilt up the front of the crisper after moving slightly.

### Using the Freezer Compartment

The freezer compartment is provided with a glass shelf.

3. Automatic ice-maker (If you have installed a FIIMT30G01 icemaker kit).



### Note:

- When the ice maker dumps ice into the ice box, any sounds are part of normal operation.
- If ice is not dispensed for a long period of time, it may clump in the Ice bin. If this occurs, please remove all the ice and empty the bin.
- In case of prolonged absence and no ice maker use, close the water valve to prevent leaks.

It is recommended that the first several ice charges be discarded to ensure the highest quality of ice.

Do not store cans or containers that will burst when frozen.

### **CAUTION**

Do not allow your children to touch the ice maker. This could cause injury.

## **Cleaning and Care**

For hygienic reasons the appliance (including exterior and interior accessories) should be cleaned at least every two months.

### **CAUTION**

The appliance must not be connected to the wall outlet during cleaning. Danger of electrical shock! Before cleaning, switch the appliance off and remove the plug from the wall outlet socket.

### **Exterior Cleaning**

To maintain good appearance of your appliance, you should clean it regularly.

Spray water onto a cleaning cloth instead of spraying directly on the surface of the appliance. This helps ensure an even distribution of moisture to the surface.

Clean the doors, handles and cabinet surfaces with a mild detergent and then wipe dry with a soft cloth.

### **CAUTION**

Don't use sharp objects to clean as they are likely to scratch the surface.

Don't use thinner, car detergent, bleach, ethereal oil, abrasive cleansers or organic solvent such as Benzene for cleaning. They may damage the surface of the appliance and may cause fire.

### **Interior Cleaning**

You should clean the appliance interior regularly. It will be easier to clean when food stocks are low. Wipe the inside of the fridge and freezer with a weak solution of baking soda and water, and then rinse with warm water using a wrung-out sponge or cloth. Wipe completely dry before replacing the shelves and baskets. Thoroughly dry all surfaces and removable parts before putting them back into place. Although this appliance automatically defrosts, a layer of frost may occur on the freezer compartments interior walls if the freezer door is opened frequently or kept open too long. If the frost is too thick, choose a time when the freezer is nearly empty and proceed as follows:

1. Remove existing food and accessory baskets, unplug the appliance from the main power and leave the doors open. Ventilate the room thoroughly to accelerate the process.
2. When defrosting is completed, clean your freezer as described above.

## **WARNING**

Do not use sharp objects to remove frost from the freezer compartment. Only after the interior is completely dry should the appliance be switched back on and plugged back into the main socket.

### **Door Gasket Cleaning**

Take care to keep the door gasket clean. Sticky food and drinks can cause the gasket to stick to the cabinet and tear when you open the door. Wash gasket with a mild detergent and warm water. Rinse and dry the gasket thoroughly after cleaning.

## **CAUTION**

Only after the door seals are completely dry should the appliance be powered on.

### **Replacing the LED Light**

Warning: The LED light must be replaced by a competent person. If the LED light is damaged, follow the steps below:

1. Unplug your appliance.
2. Remove the light cover by lifting up and pulling out the LED light.
3. Hold the LED light with one hand and pull it with the other hand while pressing the connector latch.
4. Replace the LED light and snap it correctly in place and reattach the light cover.

## **Helpful Hints and Tips**

### **Energy Saving Tips**

We recommend that you follow the tips below to save energy.

Try to avoid keeping the door open for long periods in order to conserve energy. Ensure the appliance is away from any sources of heat (direct sunlight, electric oven or cooker etc.)

Don't set the temperature colder than necessary.

Don't store warm food or evaporating liquid in the appliance.

Place the appliance in a well ventilated, humidity free room. Please refer to the Installing your New Appliance chapter.

If the diagram shows the correct combination for the drawers, crisper and shelves, do not adjust the combination as this is designed to be the most energy efficient configuration.

### **Tips for Fresh Food Refrigeration**

Do not place hot food directly into the refrigerator or freezer, the internal temperature will increase resulting in the compressor having to work harder, and consume more energy.

Do cover or wrap the food, particularly if it has a strong flavor.

Place food properly so that air can circulate freely around it.

## **Tips for Refrigeration**

For Meat: (all types) wrap in cling wrap and place on the glass shelf above the vegetable drawer. Always follow food storage times and use by dates suggested by manufacturers.

### Cooked food, cold dishes, etc.:

These should be covered and placed on any shelf.

### Fruit and vegetables:

These should be stored in the special drawer provided.

### Butter and cheese:

Should be wrapped in airtight foil or plastic film wrap.

### Milk bottles:

Should have a lid and be stored in the door bins.

## **Tips for Freezing**

When first starting-up or after a period of no use, let the appliance run at least 2 hours on the higher settings before putting food in the compartment.

Prepare food in small portions to enable it to be rapidly and completely frozen and to make it possible to subsequently thaw only the quantity required.

Wrap up the food in aluminum foil or cling wraps which are airtight.

Do not allow fresh, unfrozen food to touch the food which is already frozen to avoid temperature rise of the latter.

Iced products, (ice cubes, popsicles):

If consumed immediately after removal from the freezer compartment, will probably cause frost burns to the skin.

It is recommended to label and date each frozen package in order to keep track of the storage time.

## **Hints for the Storage of Frozen Food**

Ensure that frozen food has been stored correctly by the food retailer.

Once defrosted, food will deteriorate rapidly and should not be re-frozen. Do not exceed the storage period indicated by the food manufacturer.

## Switching off your Appliance

If the appliance needs to be switched off for an extended period, the following steps should be taken to prevent mold on the appliance.

1. Remove all food.
2. Remove the power plug from the main socket, socket.
3. Clean and dry the interior thoroughly.
4. Ensure that all the doors are wedged open slightly to allow air to circulate.

## Troubleshooting

If you experience a problem with your appliance or are concerned that the appliance is not functioning correctly, you can carry out some easy checks before calling for service, please see below.

### **WARNING**

1. Don't try to repair the appliance yourself. If the problem persists after you have made the checks mentioned below, contact a qualified electrician, authorized service engineer or the shop where you purchased the product.
2. A child entrapment warning statement is included in either the operating instructions or in a use and care manual provided with each refrigerator.

Problem	Possible Cause & Solution
Appliance is not working correctly	Check whether the power cord is plugged into the power outlet properly.
	Check the fuse or circuit of your power supply, replace if necessary.
	The ambient temperature is too low. Try setting the chamber temperature to a colder level to solve this problem.
	It is normal that the freezer does not operate during the defrost cycle, or for a short time after the appliance is switched on to protect the compressor.
Odors from the compartments	The interior may need to be cleaned
	Some food, containers or wrapping cause odors.
Noise from the appliance	<p>The sounds below are quite normal:</p> <p>Compressor making noises.</p> <p>Air movement noise from the small fan motor in the freezer compartment or other compartments.</p> <p>Gurgling sound similar to water boiling.</p> <p>Popping noise during automatic defrosting.</p> <p>Clicking noise before the compressor starts.</p> <p>Clicking noise when you get the water.</p> <p>The motor running noises when you get ice.</p>
	<p>Other unusual noises are due to the reasons below and may need you to check and take action:</p> <p>The cabinet is not level.</p> <p>The back of appliance is touching the wall.</p>

Bottles or containers have fallen or are rolling.



<p>The motor runs continuously</p>	<p>It is normal to frequently hear the sound of the motor, it will need to run more under the following circumstances:</p> <p>Temperature setting is set colder than necessary.</p> <p>Large quantity of warm food has recently been stored within the appliance.</p> <p>The temperature outside the appliance is high.</p> <p>Doors are kept open too long or too often.</p> <p>After installing the appliance or it has been switched off for a long time.</p>
<p>A layer of frost occurs in the compartment</p>	<p>Check that the air outlets are not blocked by food and ensure food is placed within the appliance to allow sufficient ventilation. Ensure that the door is fully closed. To remove the frost, please refer to the Cleaning and Care chapter.</p>
<p>Temperature inside is too warm</p>	<p>You may have left the doors open too long or too frequently; or the doors are kept open by some obstacle; or the appliance is located with insufficient clearance at the sides, back and top.</p>
<p>Temperature inside is too cold</p>	<p>Increase the temperature by following the Display Controls chapter.</p>
<p>Doors can't be closed easily</p>	<p>Check whether the top of the refrigerator is tilted back by 10-15mm to allow the doors to self-close, or if something inside is preventing the doors from closing.</p>
<p>The light is not working</p>	<p>The LED light may be damaged. Refer to replace LED lights in Cleaning and Care chapter.</p> <p>The control system has disabled the lights due to the door being kept open too long. Close and reopen the door to reactivate the lights.</p>
<p>Hear water bubbling in the refrigerator</p>	<p>This is normal. The bubbling comes from the refrigerant coolant liquid circulating through the refrigerator.</p>

**Warning**



This content is compiled from multiple sources and is provided for reference purposes only. It may not be complete or fully applicable to all situations. If you are unable to resolve your issue, please contact the product manufacturer or an authorized service provider for official support.

---

Document generated by [ManualsFile](#)

