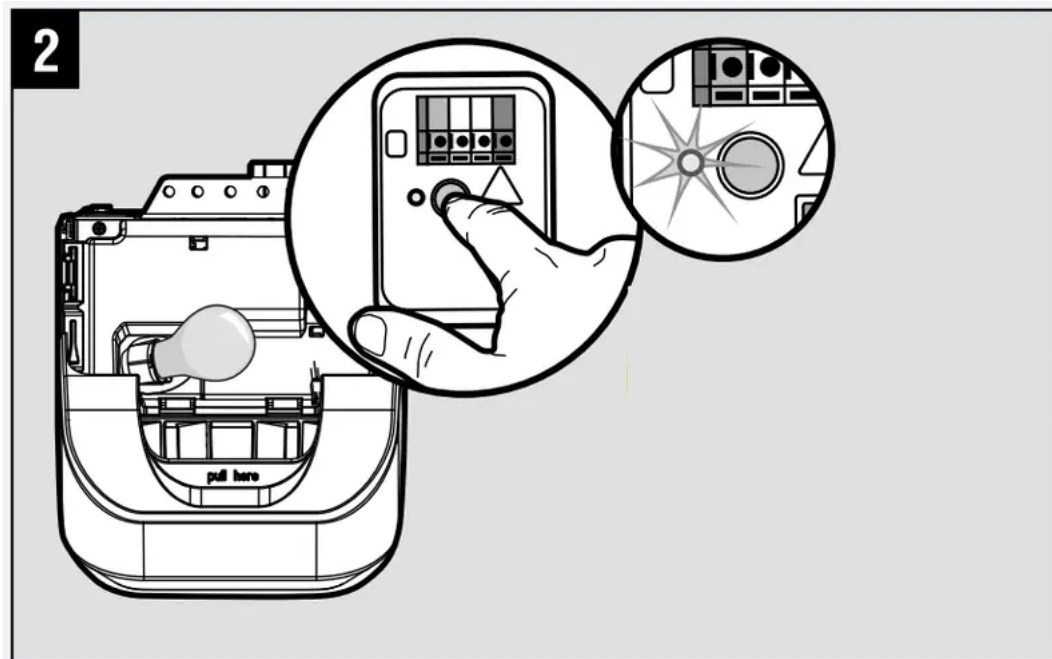
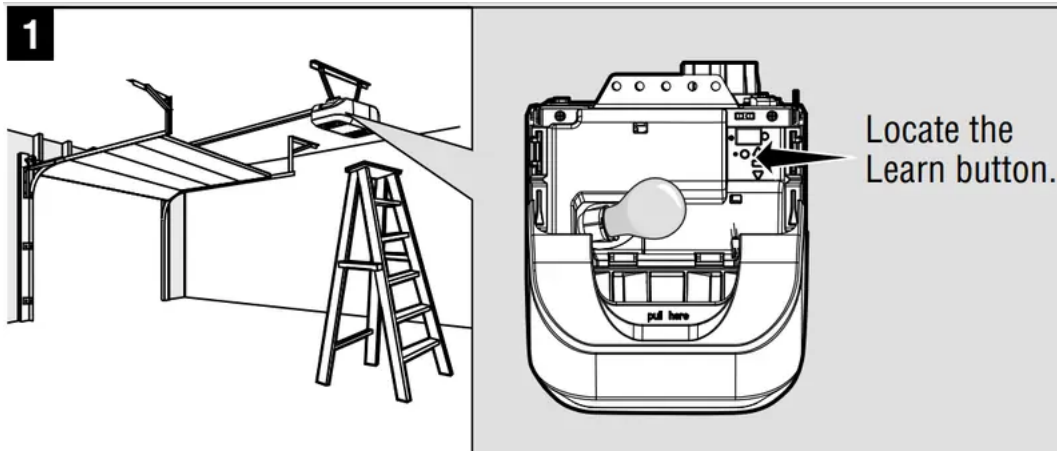
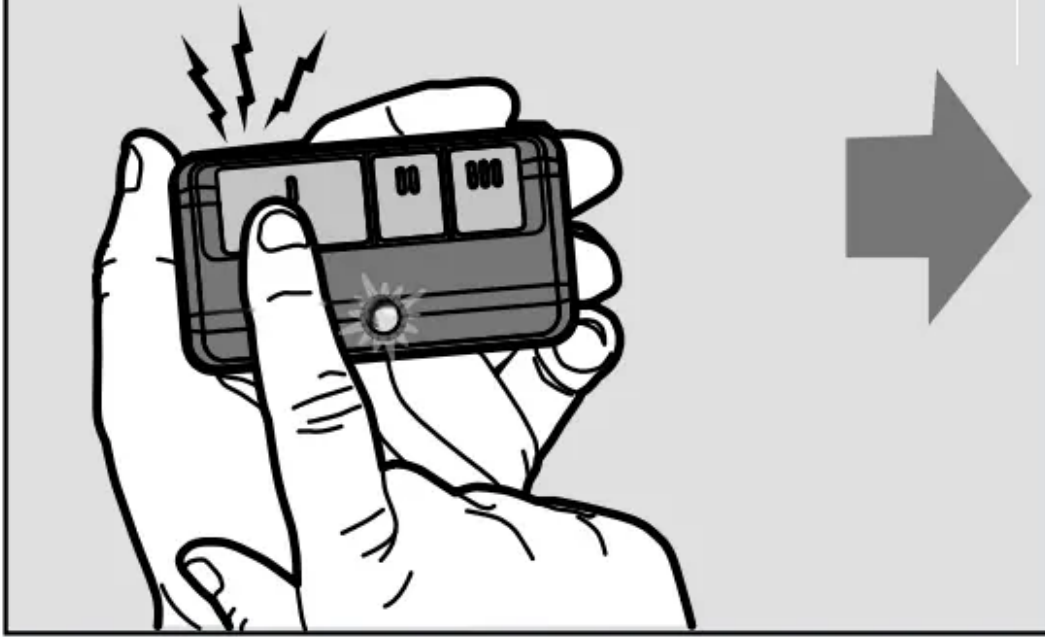


## PROGRAM USING THE GARAGE DOOR OPENER

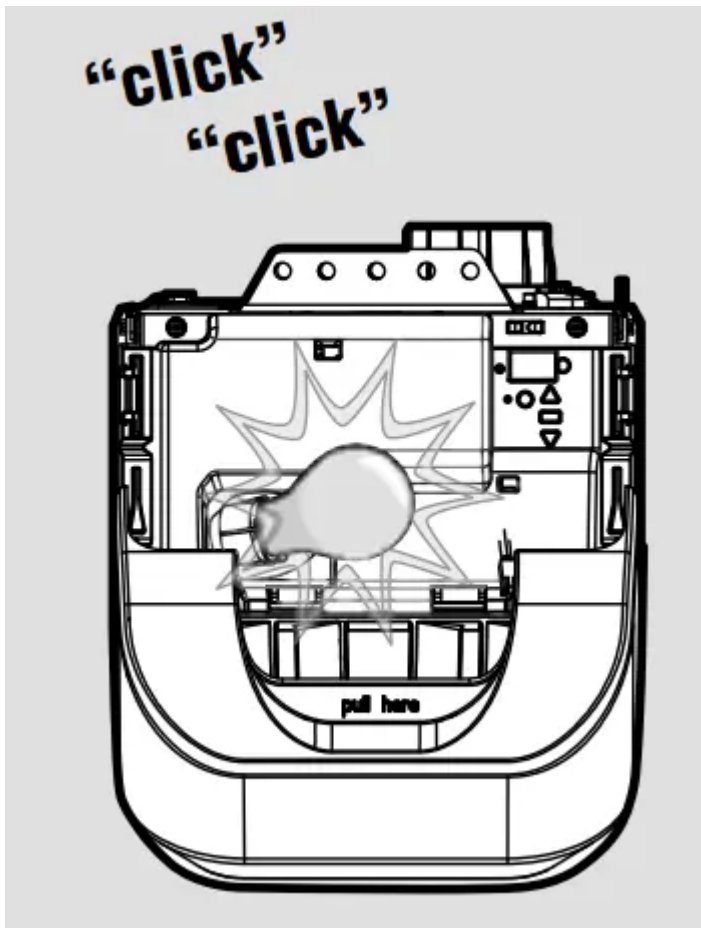


Press and immediately release the Learn button. The Learn LED will glow steadily for 30 seconds. Within 30 seconds...

3



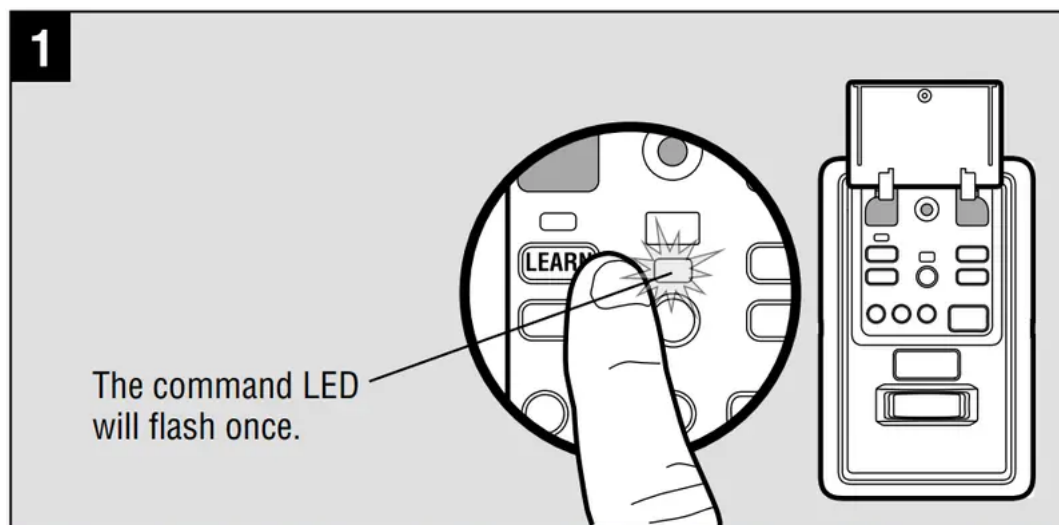
Press and hold the button on the remote control that you wish to use.



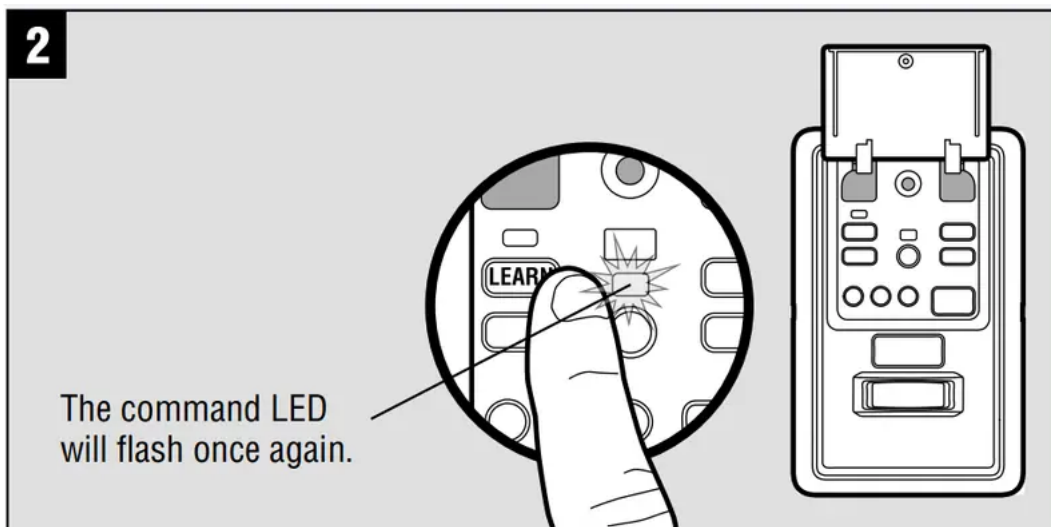
Release the button when the garage door opener lights blink or two clicks are heard. If programming to other products, press the button a second time to activate the product.

## PROGRAM USING THE DOOR CONTROL

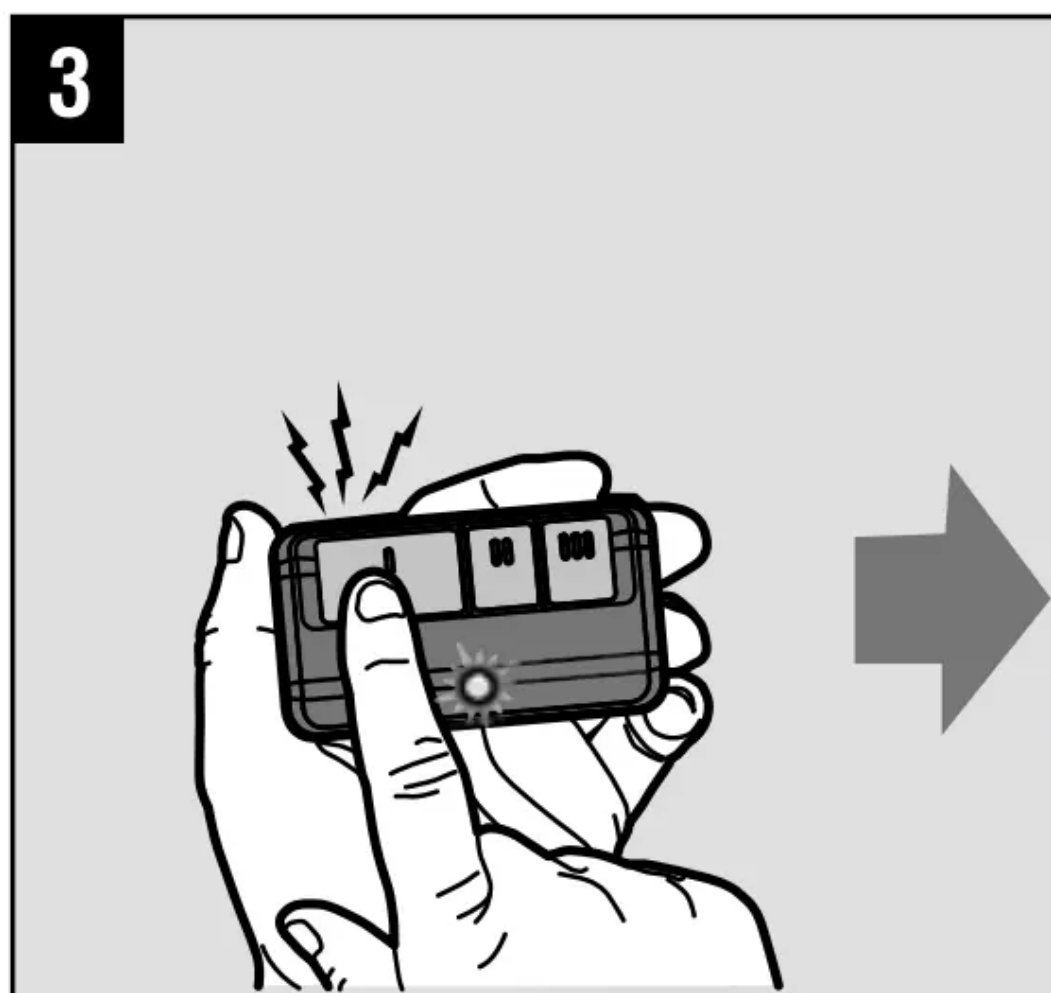
Press the LEARN button on the door control to enter Programming Mode.



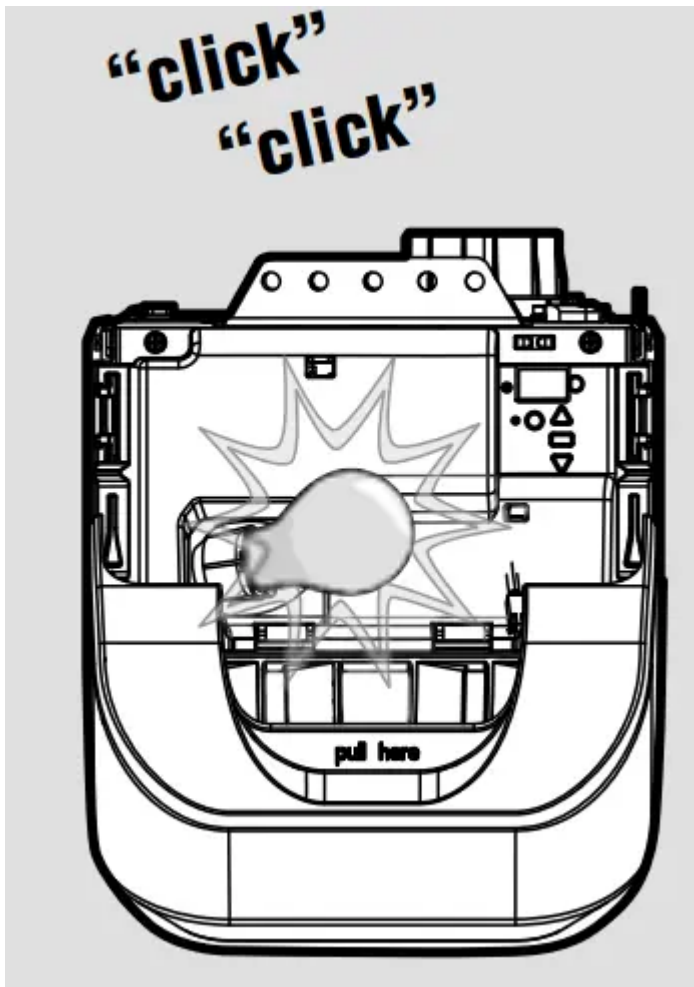
Press the LEARN button again, the LED will flash once.



Press and hold the button on the remote control that you wish to use.

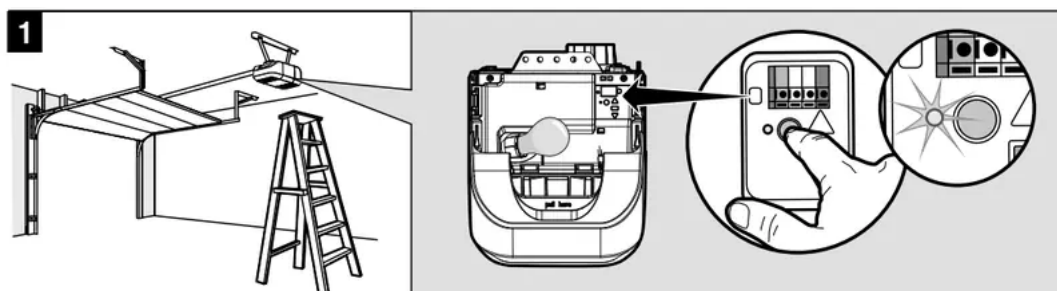


Release the button when the garage door opener lights blink or two clicks are heard. If programming to other products, press the button a second time to activate the product.



## TO ERASE ALL CODES FROM MEMORY

When deactivating any unwanted remote control code, all previous codes will be erased.



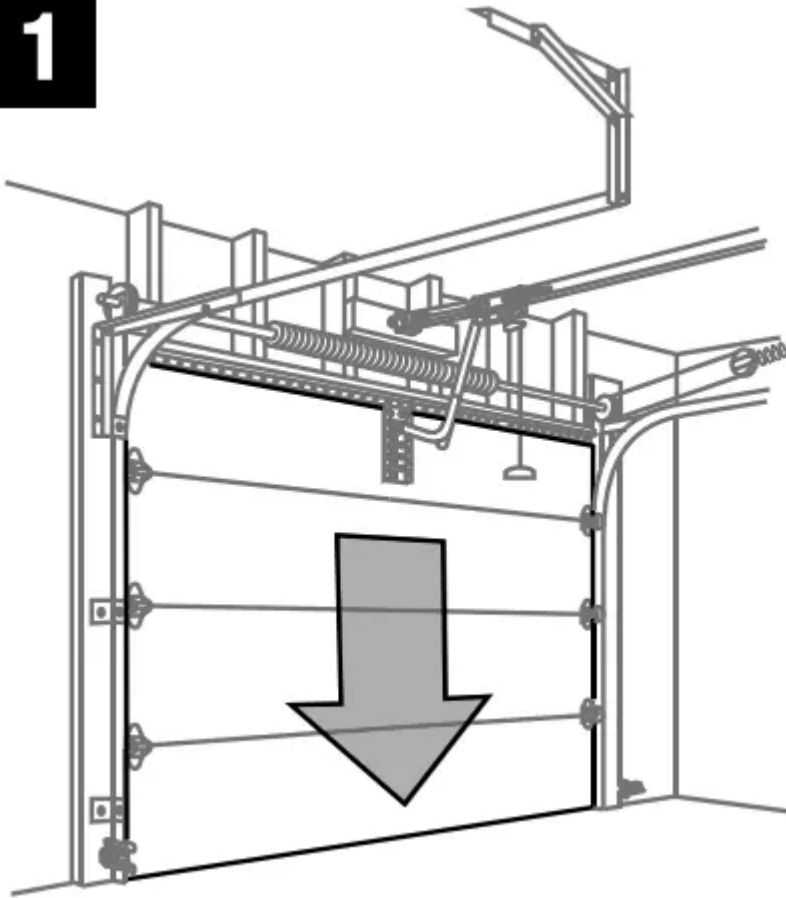
Press and hold the Learn button on garage door opener or other product until the learn LED goes out (approximately 6 seconds). All previous codes are now erased. Reprogram each remote control you wish to use.

## TO CONTROL THE GARAGE DOOR OPENER LIGHTS

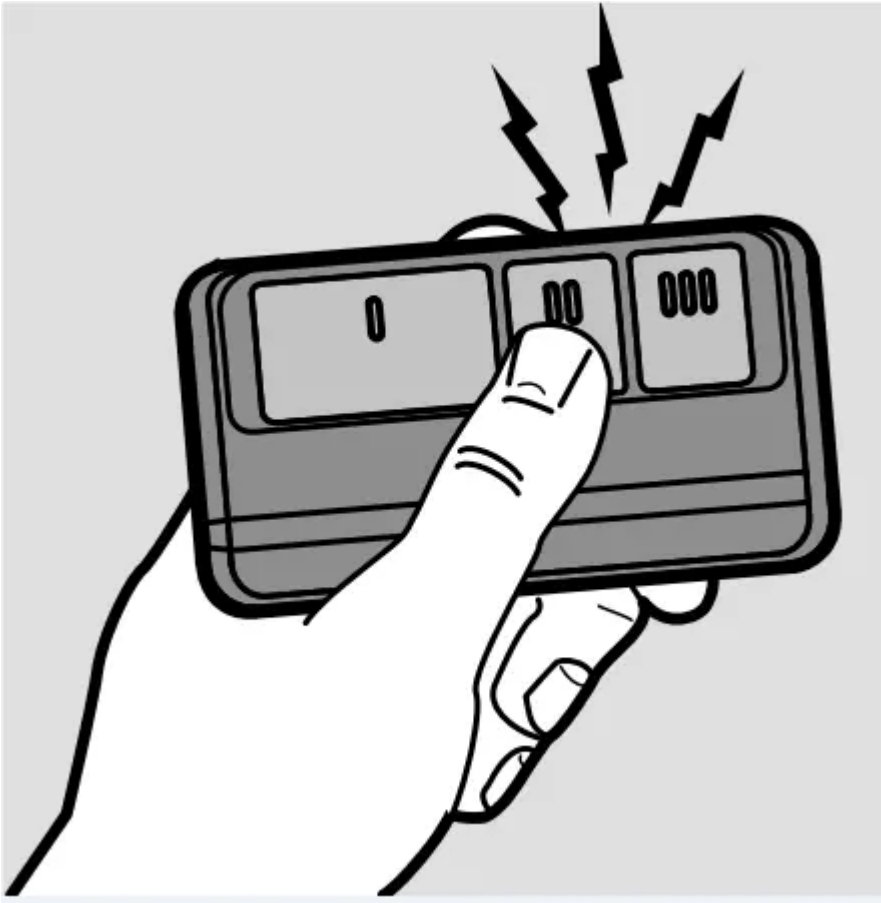
This feature is only available on garage door openers equipped with a multi-function door control and a remote control with more than one button. Not available with external receiver.

A remote control button can be programmed to operate the garage door opener lights without opening the door

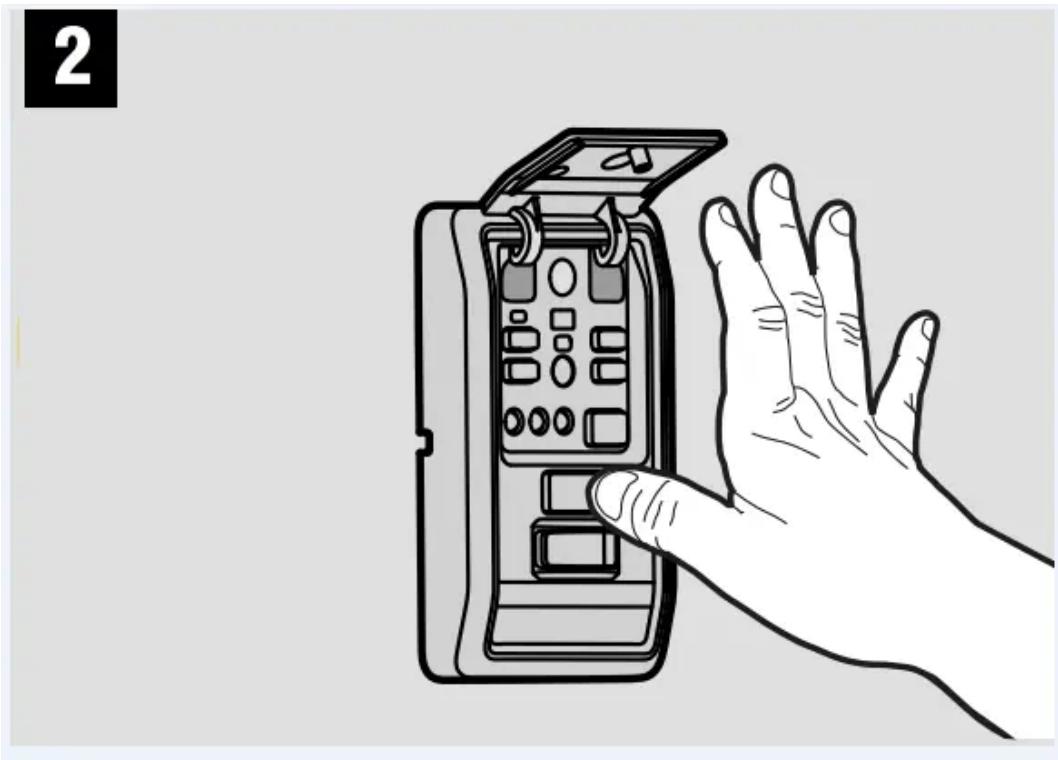
**1**



With the door closed, press and hold the remote control button that you want to control the light.

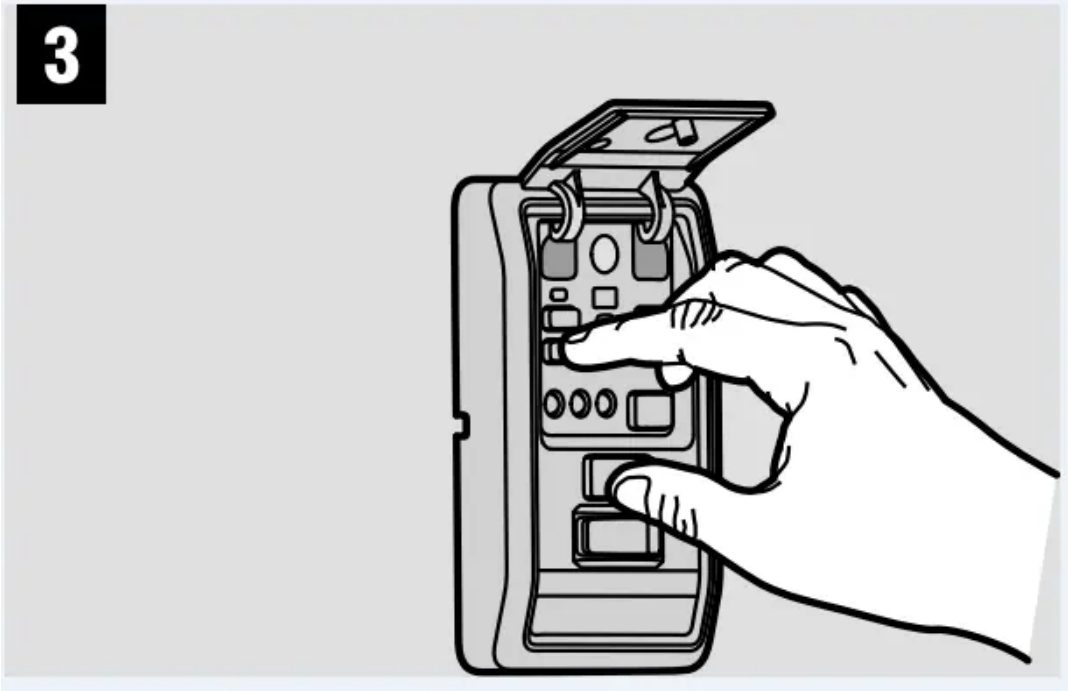


Press and hold the LIGHT button on the door control.

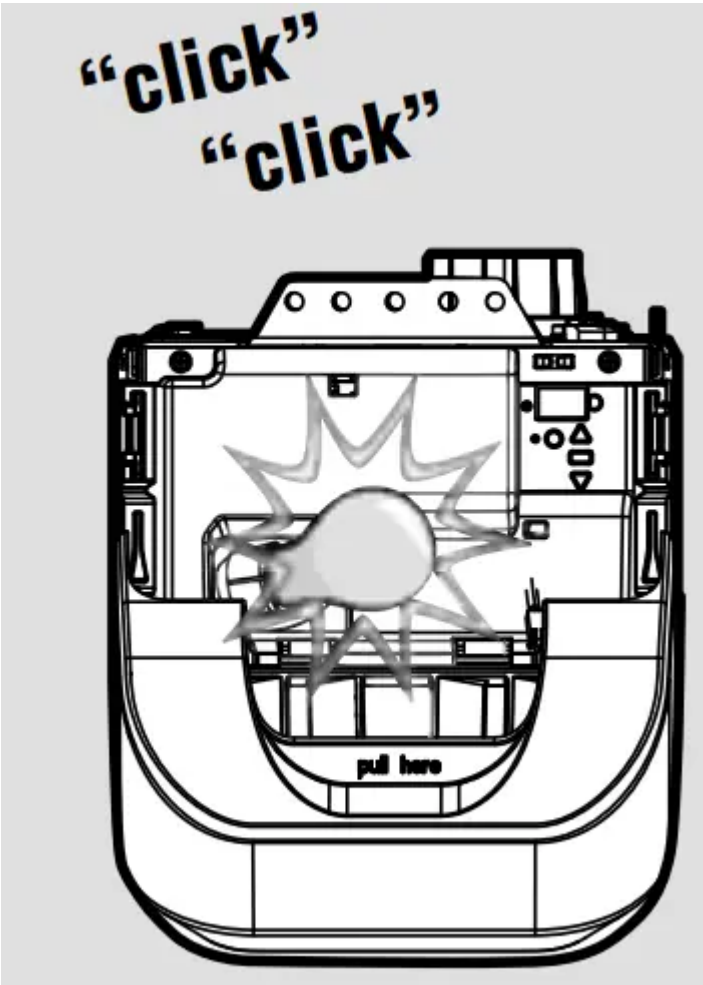


Press and hold the LOCK button on the door control.

**3**



After the garage door opener lights flash, release all + buttons.

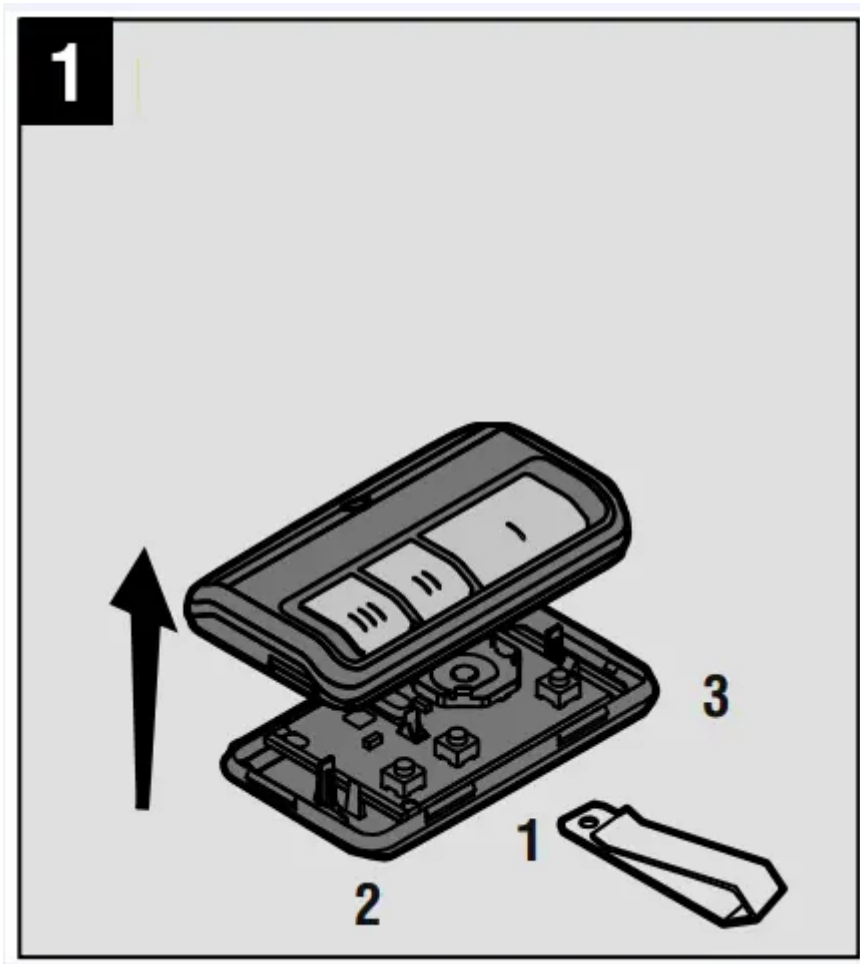


Test by pressing the remote control button. The garage door opener lights should turn on or off but the door should not move

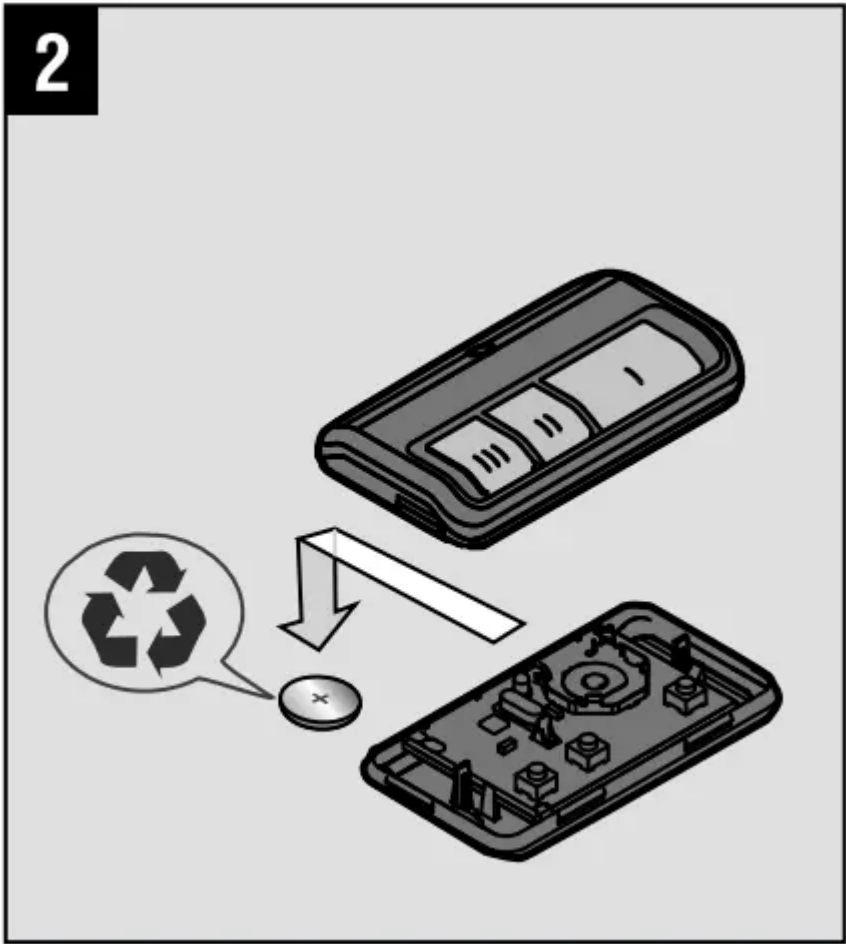
## THE REMOTE CONTROL BATTERY

The Lithium battery should produce power for up to 3 years. If the battery is low, the remote control's LED will not flash when the button is pressed. To replace battery:

Pry open the case first in the middle (1), then at each side (2 and 3) with the visor clip.



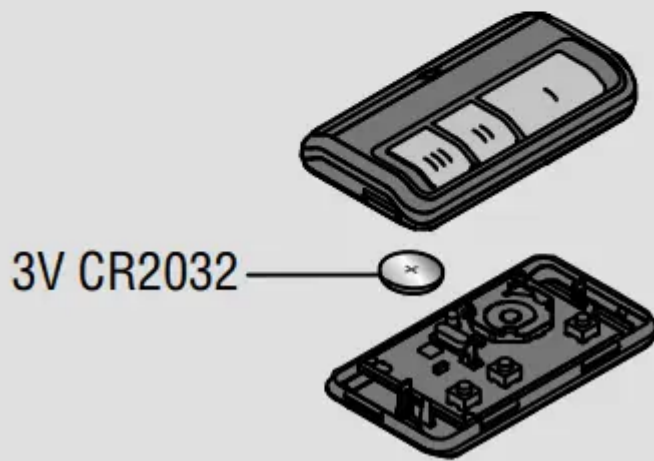
Remove the old battery. Dispose of old batteries properly.



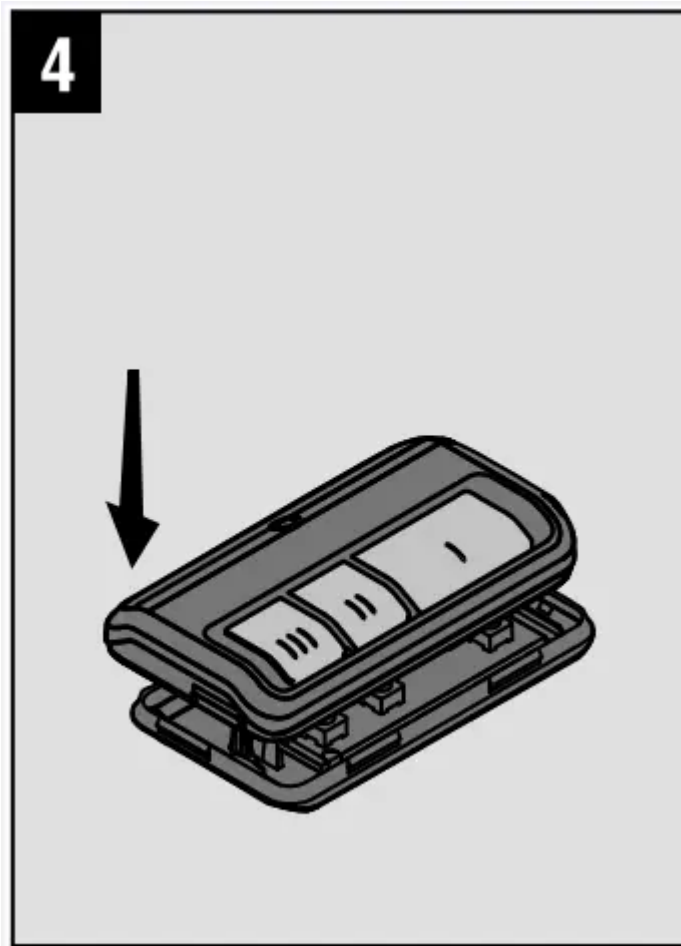
Insert replacement batteries positive side up. Replace the batteries with only 3V CR2032 coin cell batteries.



**3**

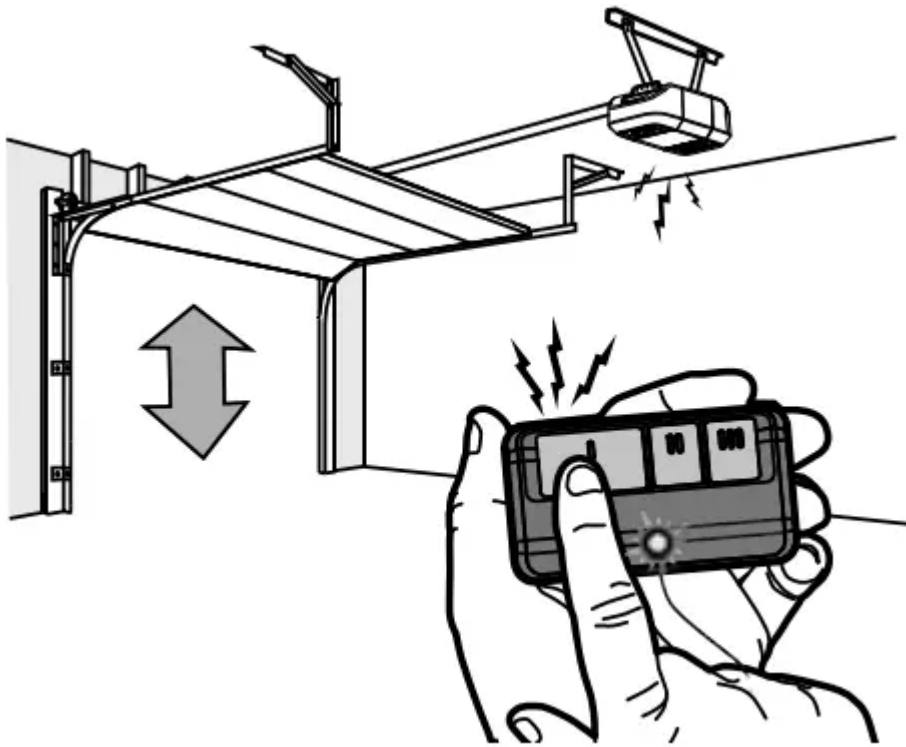


Replace cover.



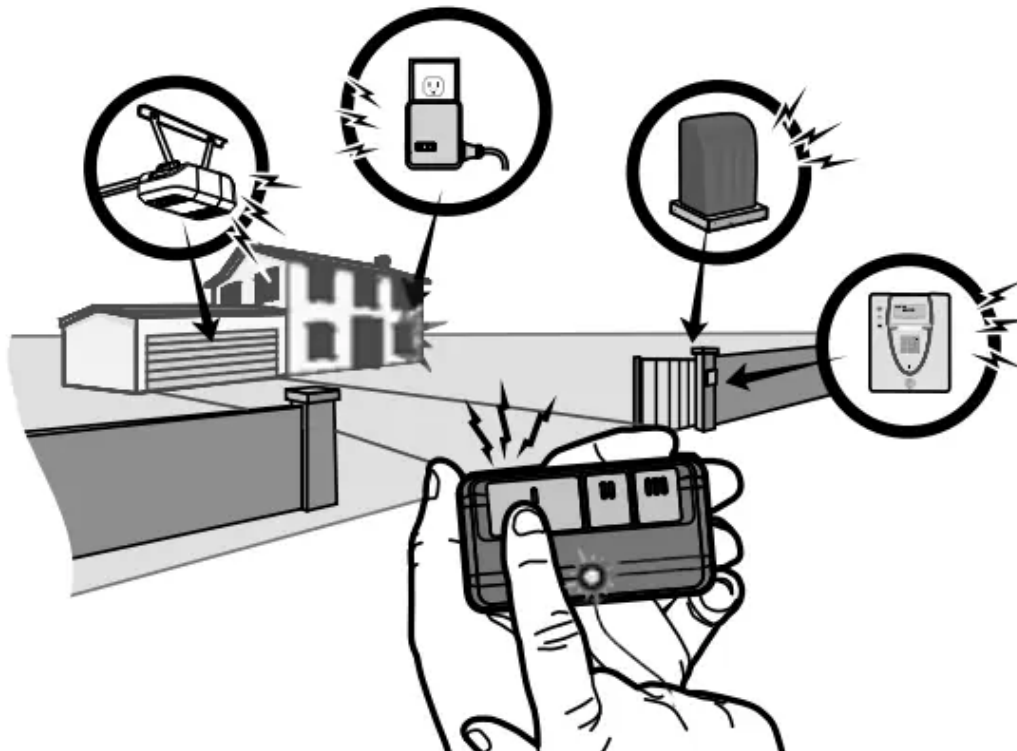
## HOW TO USE THE REMOTE CONTROL

Press and hold the button down until the door or gate starts to move. The remote control will operate from up to 3 car lengths away on typical installations. Installations and conditions vary, contact an installing dealer for more information.



### 3-BUTTON REMOTE CONTROLS

Additional buttons on the remote control can be programmed to operate up to 3 devices such as additional garage door openers, light controls, gate operators or access control systems.



## REPLACEMENT PARTS

<b>3V CR2032 Lithium battery</b> .....
<b>10A20</b>
<b>Visor Clip</b> .....
<b>29B137</b>

### Warning

This content is compiled from multiple sources and is provided for reference purposes only. It may not be complete or fully applicable to all situations. If you are unable to resolve your issue, please contact the product manufacturer or an authorized service provider for official support.

