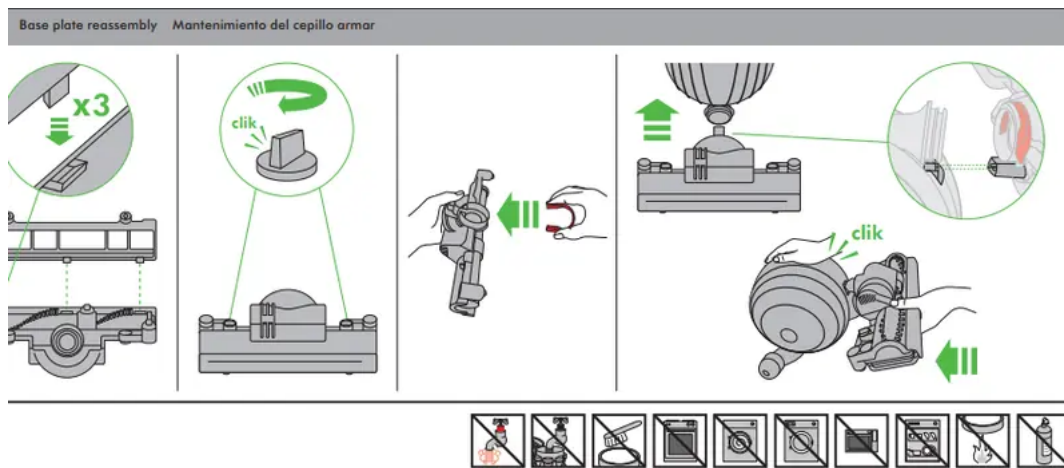
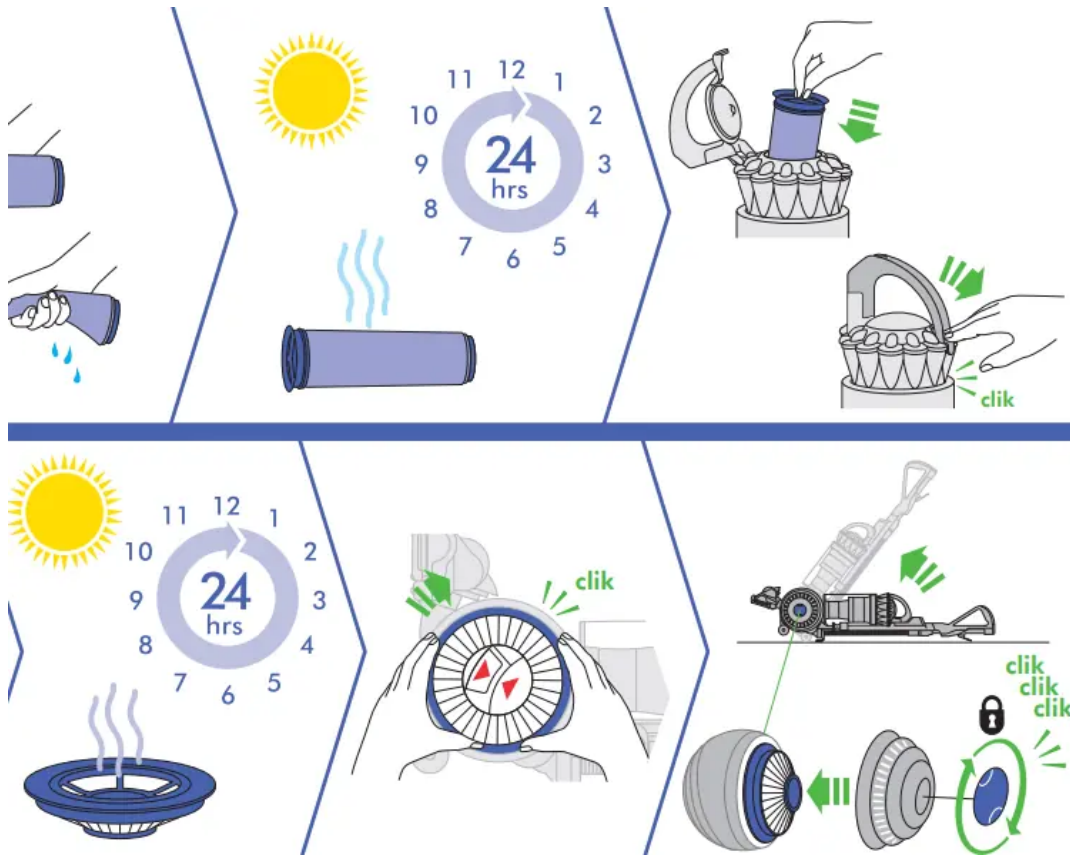


## User Manual Vacuum Cleaner

Wash filters with cold water at least every 3 months.

The filters may require more frequent washing if vacuuming fine dust.



## RATING PLATE

- The rating plate will be either (a) behind the clear bin or (b) on the top of the appliance above the switches, under the wand handle. Note the serial number before fitting the wand handle onto the appliance.

- If you need to gain access to the rating plate after assembling the appliance, follow these instructions:
  - Open the wand cap and pull the red tube up and away from the handle
  - Press in the black clip in the recess of the duct
  - Pull the wand handle up and off the appliance; use a constant, firm pressure.
- Check to ensure your electricity supply corresponds to that shown on the rating plate. The appliance must only be used as rated.

## ASSEMBLY

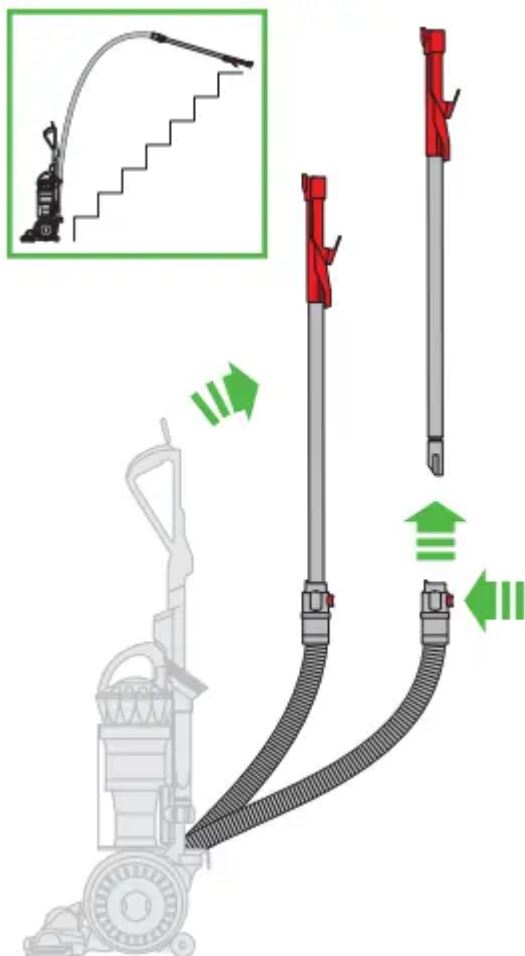
- Lie the appliance on its back.
- Attach the cleaner head by sliding it on to the connections on the lower front part of the ball. Ensure the electrical plug on the cleaner head fits into the twin-block connection on the body of the appliance, which is directly above the airway. Push firmly: the cleaner head will click into place.
- Stand the appliance up straight.
- Attach the wand handle by sliding it on to the top of the appliance. The spring clip in the handle will click into place.
- Ensure the hose is straight. Press the red button on the hose. Slide the wand into the hose.
- Ensure the hose and wand sit in the recess of the handle. Slide the end of the wand down into the handle to secure it
- Close the wand cap.
- Slide the tool holder onto the side of the duct as shown.
- Ensure the cyclone and clear bin unit is secured to the main body of the appliance.
- Attach the tools as shown. In use, the tools can be attached to either the hose or the wand.
- Wind the cable counter-clockwise around the cable hooks. Secure with the clip.
- To watch a short online video visit: [www.dyson.com/DC41gettingstarted](http://www.dyson.com/DC41gettingstarted)

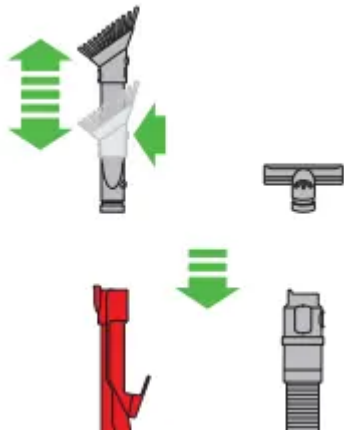
## OPERATION

- Unwind the cord.
- Plug the appliance into the mains electricity supply.
- To switch 'ON' or 'OFF' press the power button, located as shown.
- To use, recline the handle. The stabilizer stand will automatically lift up.

- After use, return the appliance to the upright position, pushing it firmly into place. The stabilizer wheels will automatically lower.
- Then: unplug the appliance, coil the cord safely, put the appliance away.
- Switch 'OFF' the appliance, unplug and ensure it is upright before:
  - Changing or using tools
  - Removing the hose or airway inspection parts.
- Use the cyclone carry handle to carry the appliance.

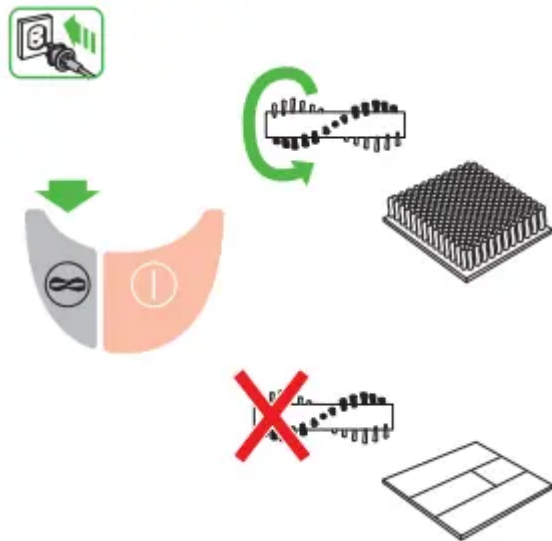
## ATTACHMENTS





- To release the wand, open the wand cap and pull the red tube up and away from the handle until it clicks into place.
- Should you wish to use the hose without the wand, follow the above instruction and press the red button to release the wand from the hose.

## CARPETS OR HARD FLOORS



- The brush bar will always default to 'ON' (spinning) each time you switch the appliance 'ON' and recline it for cleaning.
- The brush bar will not rotate when the appliance is upright.
- To switch the brush bar 'OFF' (e.g. for delicate rugs and hard floors):
  - Switch the appliance 'ON'
  - Recline the appliance
  - Press the brush bar 'ON/OFF' button – the brush bar will stop spinning.
- The brush bar will automatically stop if it becomes obstructed. See 'Brush bar – clearing obstructions'.

- Before vacuuming your flooring, rugs and carpets, check the manufacturer's recommended cleaning instructions.
- Some carpets may fuzz if a rotating brush bar is used when vacuuming. If this happens, we recommend vacuuming in 'hard floor' mode and consulting with the flooring manufacturer.
- The brush bar on the appliance may damage some carpet types. If you are unsure, turn 'OFF' the brush bar.

## LOOKING AFTER YOUR DYSON APPLIANCE

- Do not carry out any maintenance or repair work other than that shown in this Dyson Operating Manual, or advised by the Dyson Helpline.
- Only use parts recommended by Dyson. If you do not this could invalidate your warranty.
- Store the appliance indoors. Do not use or store it below 32°F. Ensure the appliance is at room temperature before operating.
- Clean the appliance only with a dry cloth. Do not use any lubricants, cleaning agents, polishes or air fresheners on any part of the appliance.
- If used in a garage, always wipe the base plate, ball and stabilizer wheels with a dry cloth after vacuuming to clean off any sand, dirt, or pebbles that could damage delicate floors.

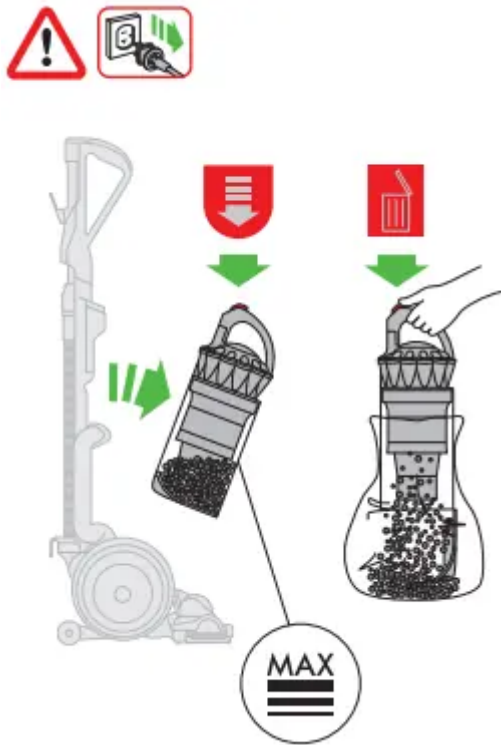
## VACUUMING

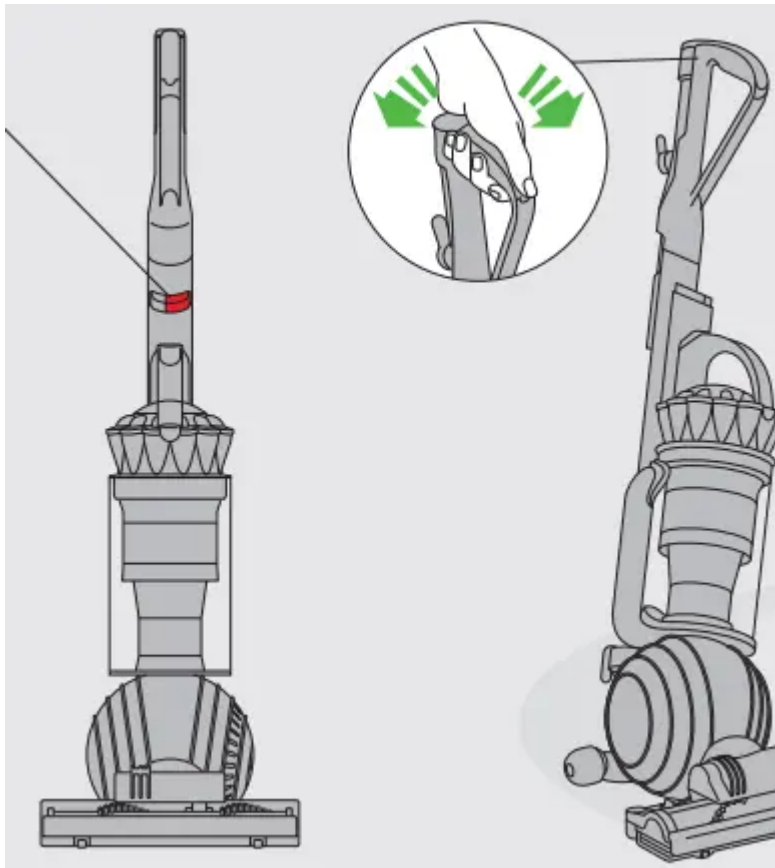
### CAUTION:

- Do not use without the clear bin and filters in place.
- Fine dust such as plaster dust or flour should only be vacuumed in very small amounts.
- Do not use the appliance to pick up sharp hard objects, small toys, pins, paper clips, etc. They may damage the appliance.
- When vacuuming, certain carpets may generate small static charges in the clear bin or wand. These are harmless and are not associated with the mains electricity supply. To minimize any effect from this, do not put your hand or insert any object into the clear bin unless you have first emptied it and rinsed it out with cold water (see 'Cleaning the clear bin').
- Powerful suction can cause the hose to 'pull back' – please take care.
- Do not work with the machine above you on the stairs.
- Do not put the appliance on chairs, tables, etc.

- Before vacuuming highly polished floors, such as wood or lino, first check that the underside of the floor tool and its brushes are free from foreign objects that could cause marking.
- Do not leave the cleaner head in one place on delicate floors.
- Do not use this appliance outdoors. The Dyson Car Cleaning Kit (Model 08909) is intended for use only inside a garage.

## EMPTYING THE CLEAR BIN





- Switch 'OFF' and unplug before emptying the clear bin.
- Empty as soon as the dirt reaches the level of the MAX mark – do not overfill.
- To remove the cyclone and clear bin unit, press down on the red button at the rear of the carrying handle on the cyclone.
- To release the dirt, press all the way down on the red button at the rear of the carrying handle on the cyclone.
- To minimize dust/allergen contact when emptying, encase the clear bin tightly in a plastic bag and empty.
- Remove the clear bin carefully.
- Seal the bag tightly, dispose as normal.
- To refit:
  - Close the clear bin base so it clicks into place
  - Push the cyclone and clear bin unit into the main body of the appliance; it will click into place
  - Ensure the cyclone and clear bin unit is secure.

## CLEANING THE CLEAR BIN

- Remove the cyclone and clear bin (instructions above).

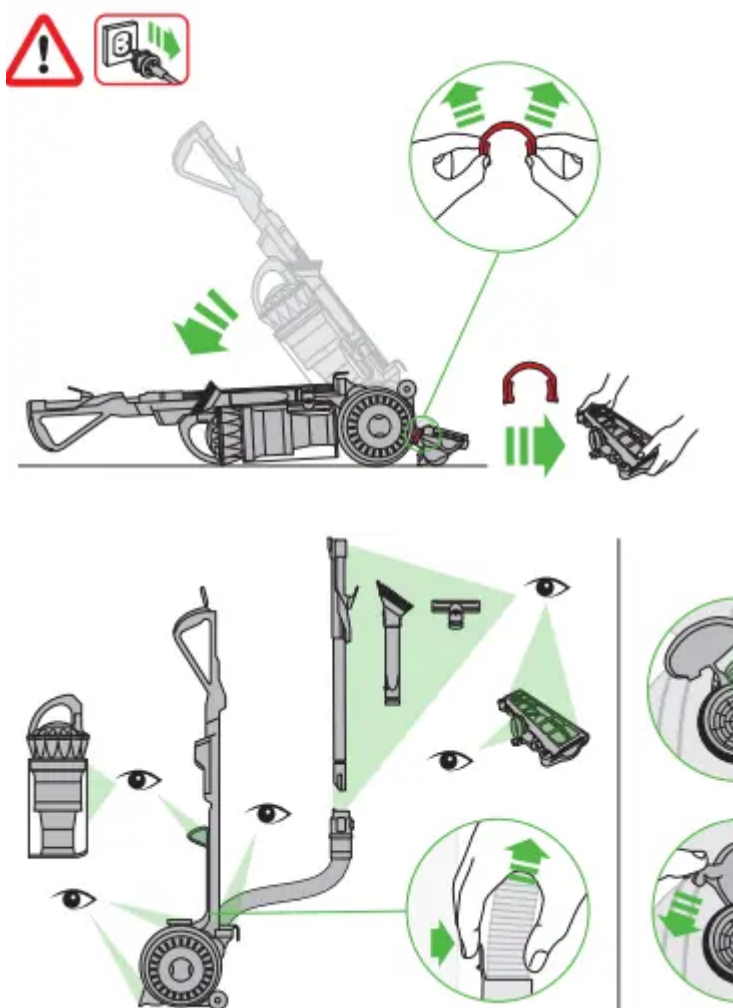
- To separate the cyclone unit from the clear bin press the red button to open the clear bin base. This exposes a small silver button behind the red opening mechanism. Press the silver button and separate the cyclone unit from the clear bin.
- Clean the clear bin with cold water only.
- Ensure the clear bin is completely dry before replacing.
- Do not use detergents, polishes or air fresheners to clean the clear bin.
- Do not put the clear bin in a dishwasher.
- Do not immerse the whole cyclone unit in water or pour water into the cyclones.
- Clean the cyclone shroud with a dry cloth or dry brush to remove lint and dust.
- To refit:
  - Fit the cyclone shroud into the clear bin so that the silver button clicks and engages
  - Close the clear bin base so it clicks into place
  - Push the cyclone and clear bin unit into the main body of the appliance; it will click into place ensure the cyclone and clear bin unit is secure.

## WASHING YOUR FILTERS

- Your appliance has two washable filters, located as shown.
- Check and wash the filters regularly according to instructions to maintain performance.
- Switch 'OFF' and unplug before checking or removing the filters.
- The filters may require more frequent washing if vacuuming fine dust.
- Wash with cold water only. Do not use detergents.
- Do not put the filters in a dishwasher, washing machine, tumble dryer, oven, microwave or near an open flame.
- To remove filter A see the 'Wash filters' section in this Dyson Operating Manual.
- After washing lay the filter on its side and leave at least 24 hours to dry completely before refitting.
- To remove filter B:
  - Turn the central locking dial on the outer cover of the ball counter-clockwise until the cover is released
  - Lift off the cover
  - Turn the filter one-quarter counter-clockwise to release.
- Filter B should be rinsed and tapped out until the water runs clean, then tapped out again to ensure all excess water is removed. Leave to dry completely for 24 hours.

- It is normal for the filter in the ball to turn grey in color.
- To refit filter B:
  - Refit the filter on to the ball
  - Secure the filter by turning it one-quarter turn clockwise.
- When refitting the outer cover of the ball, keep turning the central locking dial clockwise. When it starts to click it is locked.
- To watch a short online video visit: [www.dyson.com/DC41filterwash](http://www.dyson.com/DC41filterwash)

## LOOKING FOR BLOCKAGES



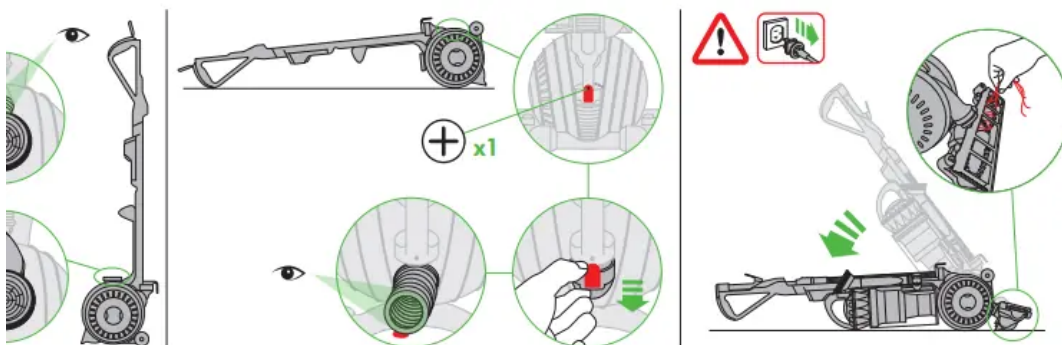
- Switch 'OFF' and unplug before looking for blockages. Failure to do so could result in personal injury.
- Look for blockages in the wand, airways and cleaner head.
- To remove the base plate to access an obstruction, see 'Base plate – disassembly/ reassembly'.

- To look for blockages in the airway between the ball and the cleaner head you will need to remove the cleaner head: see 'Base plate – disassembly/ reassembly'.
- Beware of sharp objects when checking for blockages.
- Refit all parts securely before using.
- Clearing blockages is not covered by your guarantee.

## CLEARING BLOCKAGES – THERMAL CUT-OUT

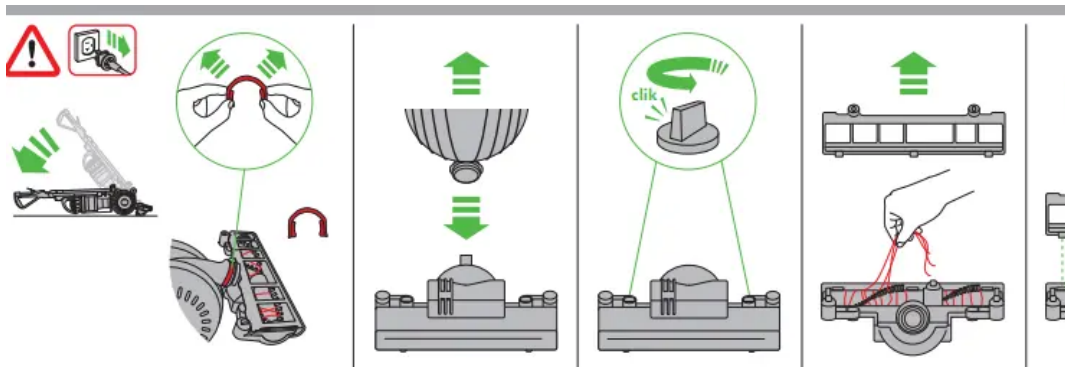
- This appliance is fitted with an automatically resetting thermal cut-out.
- Large items may block the tools or wand inlet. If any part becomes blocked the appliance may overheat and automatically cut-out.
- Switch 'OFF' and unplug. Leave to cool down for 1-2 hours before checking filters or for blockages.
- Clearing brush bar obstructions is not covered by your warranty.

## BRUSH BAR – CLEARING OBSTRUCTIONS



- If your brush bar is obstructed, it may shut off. If this happens, you will need to remove the blockage.
- Switch 'OFF' and unplug before proceeding. Failure to do so could result in personal injury.
- Beware of sharp objects when clearing obstructions.
- If you still cannot clear the obstruction, please follow the instructions below to remove the base plate. This gives more access to the obstruction. Alternatively, contact a Dyson expert on the Dyson Helpline or visit the website. Clearing brush bar obstructions is not covered by your warranty.

## BASE PLATE - DISASSEMBLY/REASSEMBLY



- Switch 'OFF' and unplug before proceeding. Failure to do so could result in personal injury.
- Lie the appliance on its front.
- Detach the red 'C' clip which is on the connection between the cleaner head and the appliance. It is quite firm, but do not pull it off roughly. Use a constant, firm pressure.
- Pull the cleaner head away from the appliance. Use a constant, firm pressure.
- On the cleaner head are two dials: turn each a quarter-turn counter-clockwise until it clicks.
- Put the cleaner head onto its back:
  - Lift up the top edge of the base plate, so it rotates to the upright position lift out.
- Beware of sharp objects when clearing obstructions.
- To refit the base plate:
  - fit the 3 lugs on the lower edge of the base plate into the 3 slots in the base of the cleaner head swing the upper edge of the base plate down;
    - it will click into place.
- To secure the base plate:
  - Press the base plate close to the cleaner head
  - Secure the first dial by turning it a quarter-turn clockwise until it clicks and engages
  - Repeat with the second dial.
- Refit the red 'C' clip onto the cleaner head. The flatter edge of the clip fits against the cleaner head. It is easier to slide one lug into its slot before the other.
- Lie the appliance on its back.
- Attach the cleaner head by sliding it on to the connections on the lower front part of the ball. Ensure the electrical plug on the cleaner head fits into the twin-block connection on

the body of the appliance, which is directly above the airway. Push firmly: the cleaner head will click into place.

## **BRUSH BAR – TROUBLESHOOTING**

- If the brush bar has stopped spinning, follow the instructions above on clearing obstructions. Alternatively, contact a Dyson expert on the Dyson Helpline or visit the website.
- To watch a short online video visit: [www.dyson.com/DC41brushbarmaintenance](http://www.dyson.com/DC41brushbarmaintenance)

## **DYSON CUSTOMER CARE**

### **THANK YOU FOR CHOOSING TO BUY A DYSON APPLIANCE**

If you have a question about your Dyson appliance, call the Dyson Helpline with your serial number and details of where and when you bought the appliance. Most questions can be solved over the phone by one of our Dyson Helpline staff. If your appliance needs service, call the Dyson Helpline so we can discuss the available options. If your Dyson appliance is under warranty, and it is a covered repair, it will be repaired at no cost.

The rating plate is on the top of the appliance above the switches, under the wand handle.

## **PLEASE REGISTER AS A DYSON APPLIANCE OWNER**

To help us ensure you receive prompt and efficient service, please register as a Dyson appliance owner. There are three ways to do this:

- Online at [www.dyson.com](http://www.dyson.com)
- Telephone the Dyson Helpline, 1-866-693-9766.
- Complete the enclosed Warranty Form and post it to us. This will confirm ownership of your Dyson appliance in the event of an insurance loss, and enable us to contact you if necessary.

## **5 YEAR WARRANTY**

### **TERMS AND CONDITIONS OF THE DYSON 5 YEAR LIMITED WARRANTY.**

#### **WHAT IS COVERED**

Your Dyson appliance is warranted against original defects in material and workmanship for a period of five years from the date of purchase, when used for private household purposes in accordance with the Dyson Operating Manual. This warranty provides, at no extra cost to you, all labor and parts necessary to ensure your appliance is in proper operating condition during the warranty period. This limited warranty is subject to the following terms:

## **WHAT IS NOT COVERED**

Dyson, Inc. shall not be liable for costs, damages or repairs incurred as a result of:

- Appliances purchased from an unauthorized dealer.
- Careless operation or handling, misuse, abuse and/or lack of maintenance or use not in accordance with the Dyson Operating Manual.
- Use of the appliance other than for normal domestic purposes within the United States, e.g. for commercial or rental purposes.
- Use of parts not in accordance with the Dyson Operating Manual.
- Use of parts and accessories other than those produced or recommended by Dyson, Inc.
- External sources such as weather.
- Repairs or alterations carried out by unauthorized parties or agents.
- Clearing blockages from your vacuum.
- Normal wear and tear, including normal wearing parts, such as clear bin, belt, filter, brush bar, hose assembly and power cord (or where external damage or abuse is diagnosed), carpet or floor damage due to use not in accordance with manufacturer's instructions or failure to turn the brush bar off when necessary.

## **WARRANTY SERVICE**

- Please fill out and return the Warranty Form, or register online at [www.dyson.com](http://www.dyson.com)
- Before service can take place, the terms of the limited warranty require that you contact the Dyson Helpline with your model name/number, serial number, date and place of purchase.
- Please keep your purchase receipt in a safe place to ensure you have this information.
- All work will be carried out by Dyson, Inc. or its authorized agents.
- Any replaced defective parts will become the property of Dyson, Inc.
- Service under this warranty will not extend the period of this warranty.
- If your appliance is not functioning properly, please call the Dyson Helpline. Most issues can be rectified over the telephone by our trained Customer Care staff. If this is not possible Dyson, Inc. will arrange for your appliance to be repaired and returned in full working order at no extra cost to yourself.

## **WARRANTY LIMITATION AND EXCLUSIONS**

- Any implied warranties relating to your appliance including but not limited to warranty of merchantability or warranty of fitness for a particular purpose, are limited to the duration of this warranty. This limitation is not allowed by some States and so this limitation may not apply to you.

- Your remedy for breach of this warranty is limited to the warranty service described above. Dyson, Inc. will not be liable for any consequential damages or incidental damages you may incur in connection with your purchase and use of your appliance. This limitation is not allowed by some States and so this limitation may not apply to you.
- This limited warranty gives you specific legal rights. You may also have other rights which vary by State.
- This limited warranty is not transferable.

### **IMPORTANT DATA PROTECTION INFORMATION**

Your details will be held by Dyson, Inc. or others on behalf of Dyson, Inc. so that we can assist you more quickly in our Customer Service department. From time to time, Dyson, Inc. may send you special offers and news of our latest innovations. Check the box on the Warranty Form within the Operating Manual if you do not wish to receive marketing or promotional information from Dyson, Inc. For more information about our data collection practices, please refer to the Dyson, Inc. privacy policy at [www.dyson.com/privacy](http://www.dyson.com/privacy)

### **DISPOSAL INFORMATION**

Dyson products are made from high grade recyclable materials and so should not be treated as household waste. To protect the environment please dispose of this product responsibly and recycle where possible.

### **PRODUCT INFORMATION**

Please note: Small details may vary from those shown.

#### **Warning**

This content is compiled from multiple sources and is provided for reference purposes only. It may not be complete or fully applicable to all situations. If you are unable to resolve your issue, please contact the product manufacturer or an authorized service provider for official support.