

Installation and connection

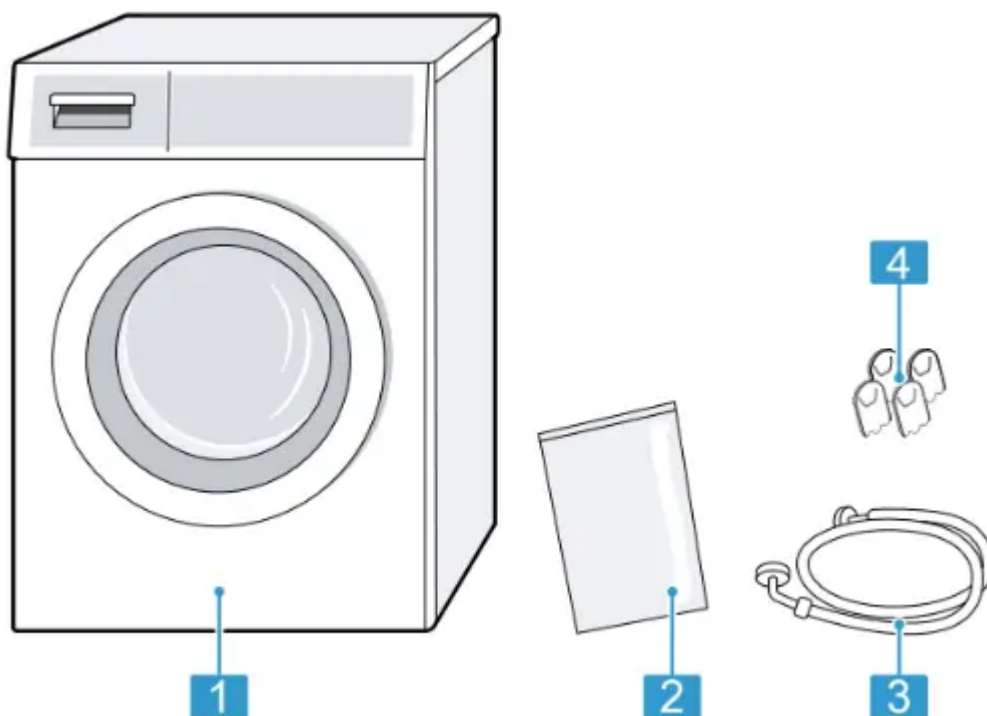
Unpacking the appliance

Note: Please read the information in the "Safety" → Page 4 and "Preventing material damage" → Page 11 sections to ensure that you use the appliance safely.

1. Remove any packaging and protective covers completely from the appliance. For the environmentally friendly disposal of the packaging materials, observe the information on the topic of → "Disposing of packaging", Page 12.
2. Check the appliance for visible damage.
3. Open the door.
4. Remove the accessory from the drum.
5. Close the door.

Contents of package

After unpacking all parts, check for any damage in transit and completeness of the delivery.



- 1 Washing machine
- 2 Accompanying documents
- 3 Water inlet hose

4 Cover caps

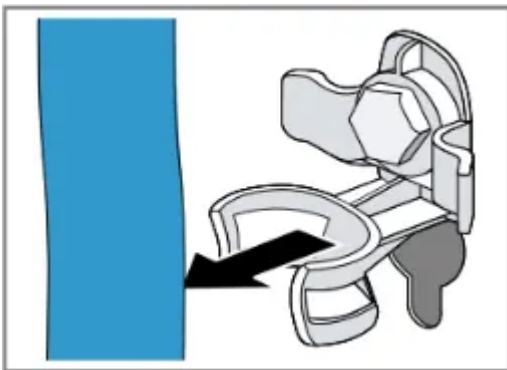
Removing the transit bolts

The appliance is secured for transportation using transit bolts on the rear of the appliance.

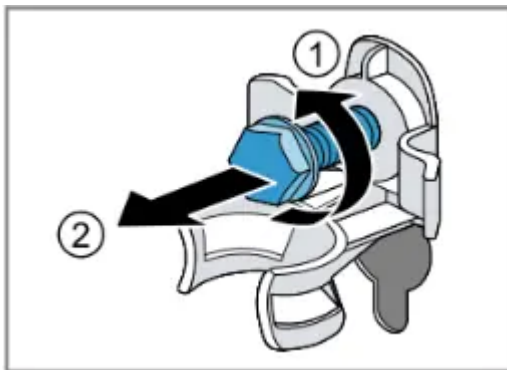
Notes

- Please read the information in the "Safety" → Page 4 and "Preventing material damage" → Page 11 sections to ensure that you use the appliance safely.
- Keep the transit bolts, screws and sleeves in a safe place for future "transport" → Page 55.

1. Pull the hoses out of the holders.



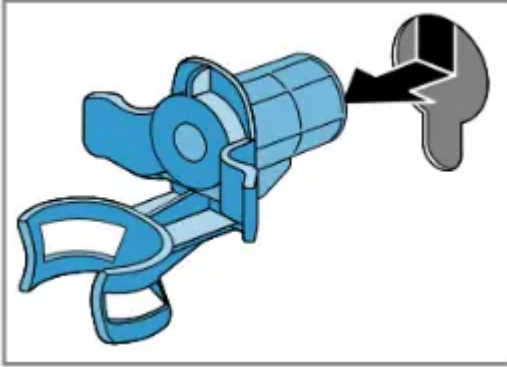
2. Unscrew (1) and remove (1) all four screws for the transit bolts with a WAF 13 wrench.



3. Pull the power cord out of the holder.



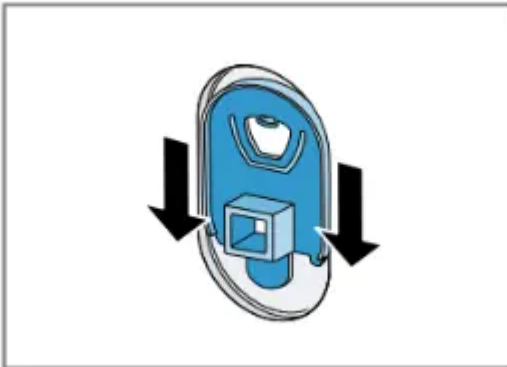
4. Remove the four sleeves.



5. Put on the four cover caps.



6. Press down on the four cover caps.

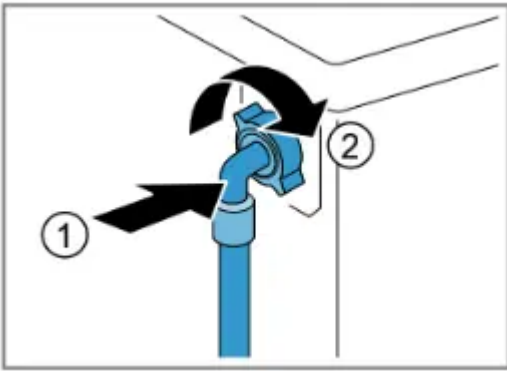


Connecting the water inlet hose

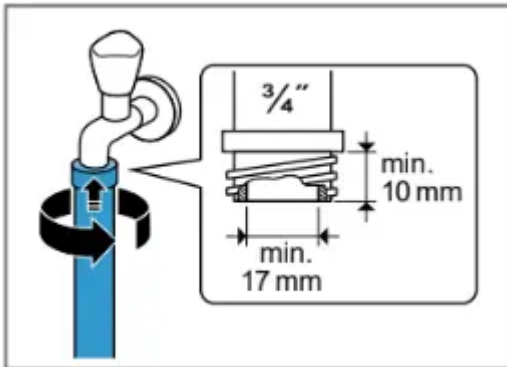
Note

Please read the information in the "Safety" → Page 4 and "Preventing material damage" → Page 11 sections to ensure that you use the appliance safely.

1. Connect the water inlet hose.



2. Connect the water inlet hose to a tap (26.4 mm = 3/4").



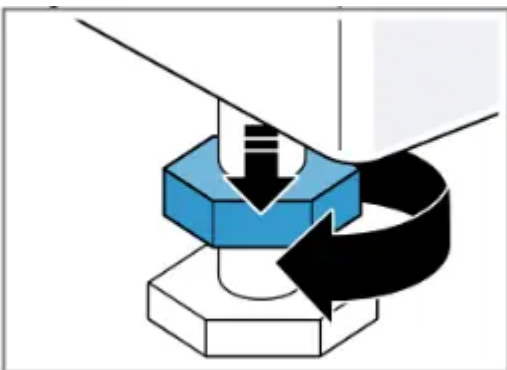
3. Open the water tap carefully and check that the connection points are tight.

Aligning the appliance

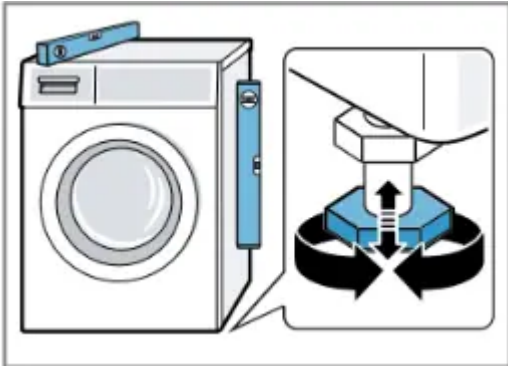
In order to reduce noise and vibration and to prevent the appliance from moving, align the appliance correctly.

Note: Please read the information in the "Safety" → Page 4 and "Preventing material damage" → Page 11 sections to ensure that you use the appliance safely.

1. Loosen the lock nuts using a WAF17 wrench by turning it in a clockwise direction.

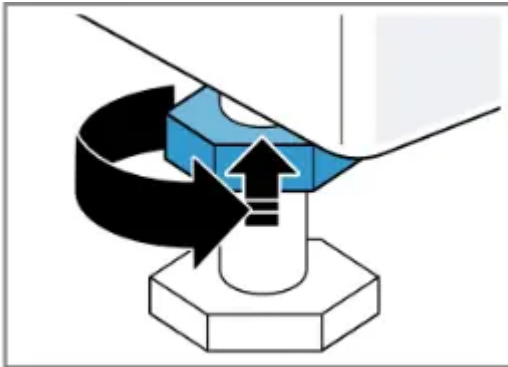


2. To align the appliance, turn the appliance feet. Check that the appliance is level using a spirit level.



All appliance feet must stand firmly on the ground.

3. Screw the lock nuts tightly against the housing using a WAF 17 wrench.



In doing so, hold the foot tight and do not adjust its height.

Connecting the appliance to the electricity supply

Note: Please read the information in the "Safety" → Page 4 and "Preventing material damage" → Page 11 sections to ensure that you use the appliance safely.

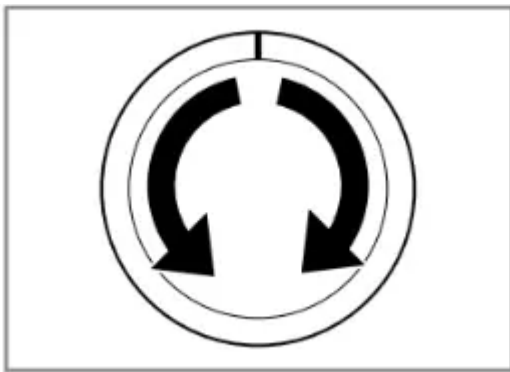
- Insert the mains plug of the appliance's power cable in a socket nearby. The connection details of the appliance can be found under "Technical data" → Page 58.
- Check the mains plug is inserted properly.

Starting an empty washing cycle

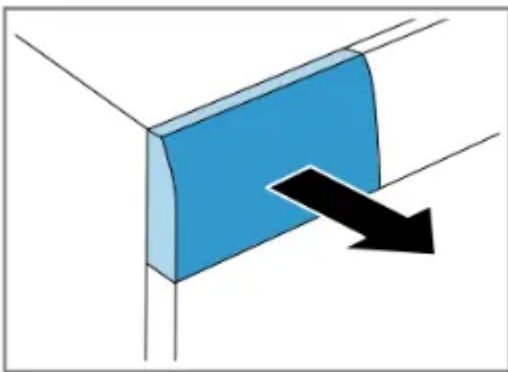
Your appliance was inspected thoroughly before leaving the factory. To remove any residual water, run the first wash cycle without any laundry.

Note: Please read the information in the "Safety" → Page 4 and "Preventing material damage" → Page 11 sections to ensure that you use the appliance safely.

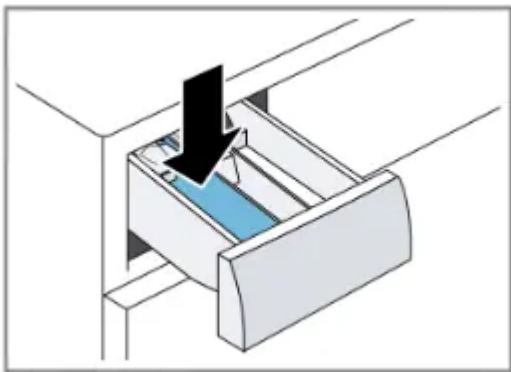
- Turn the programme selector to Drum Clean.



- Close the door.
- Pull out the detergent drawer.

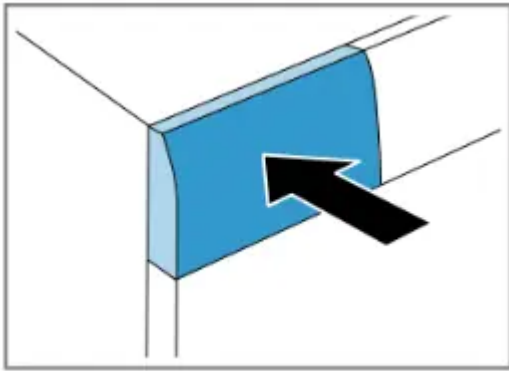


- Pour washing powder into compartment II.



To prevent foaming, use only half of the amount of detergent recommended by the detergent manufacturer for light soiling. Do not use detergent suitable for woollens or delicates.

- Push in the detergent drawer.



- Press Start/Reload to start the programme.

Start the first wash cycle or set the programme selector to Off to switch off the appliance.

Detergents and care products

You can protect your appliance and your laundry by selecting and using the correct detergents and care products. You can use all detergents and care products which are suitable for domestic washing machines.

Note: Please read the information in the "Safety" → Page 4 and "Preventing material damage" → Page 11 sections to ensure that you use the appliance safely.

The manufacturer's instructions for use and dosage can be found on the packaging.

Notes

- Only use liquid detergents that are self-flowing
- Do not mix different liquid detergents
- Do not mix detergent and fabric softener
- Do not use products that have expired or are highly congealed.
- Do not use products containing solvents, caustic agents or volatile substances (e.g. bleach)
- Use dyes sparingly as salt may damage stainless steel
- Do not use bleaching agents in the appliance

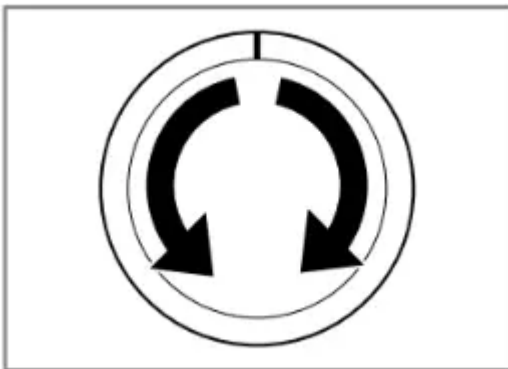
Detergent recommendation

Detergent	Laundry	Programme	Temperature
Standard detergent with optical brighteners	Heat-resistant white fabrics made from cotton or linen	Cotton	From cold up to 90 °C
Detergent for colours without bleach or optical brighteners	Coloured fabrics made from linen or cotton	Cotton	From cold up to 60 °C
Detergent for colours/delicates without optical brighteners	Coloured fabrics made from easy-care fabrics or synthetic materials	Easy Care	From cold up to 60 °C
Detergent for delicates	Delicate fine textiles, silk or viscose	Delicates/Silk	From cold up to 40 °C
Detergent for woollens	Wool	Wool	From cold up to 40 °C

Basic operation

Setting a programme

- Set the programme selector to the required "programme" → Page 24.



- If necessary, "adjust the programme settings" → Page 35.

Adjusting the programme settings

- Depending on the programme and programme progress, you can adjust or activate/deactivate the settings.

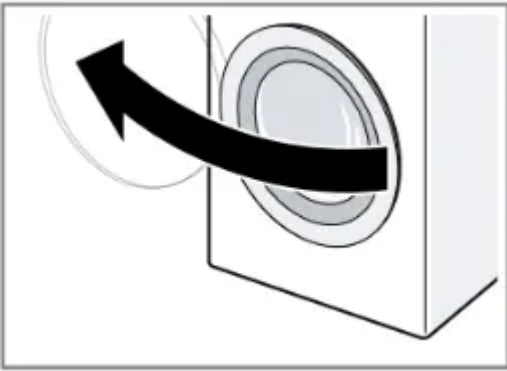
Note: Overview of all programme settings: → "Buttons", Page 23

Requirement: A programme has been set.

Adjust the programme settings. The programme settings are not saved permanently for the programme.

Loading laundry

1. Open the door.



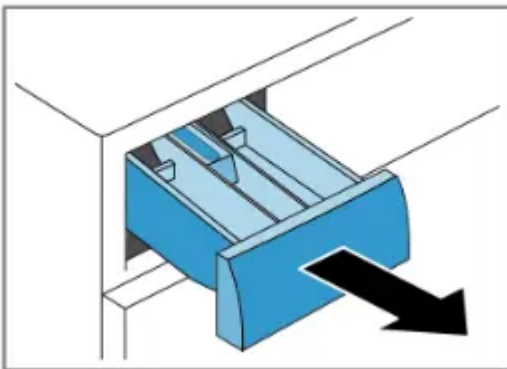
2. Ensure that the drum is empty.
3. Separate the laundry and place it in the drum.
4. Note: Ensure that there is no laundry trapped in the door.

Close the door.

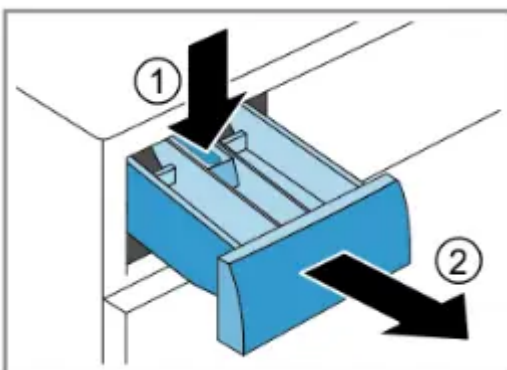
Using a measuring aid for liquid detergent

If you order the measuring aid as an accessory, you must use the measuring aid.

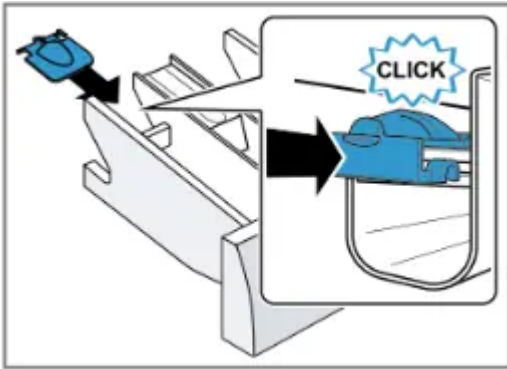
1. Pull out the detergent drawer.



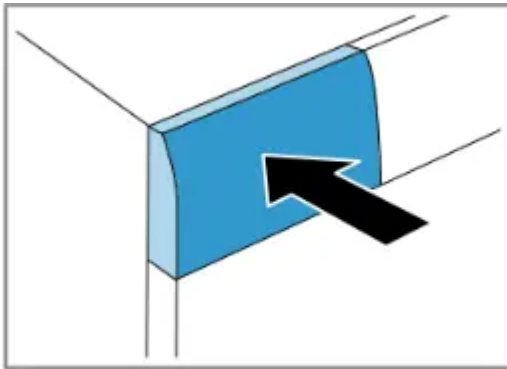
2. Press down on the insert and remove the detergent drawer.



3. Insert the measuring aid.



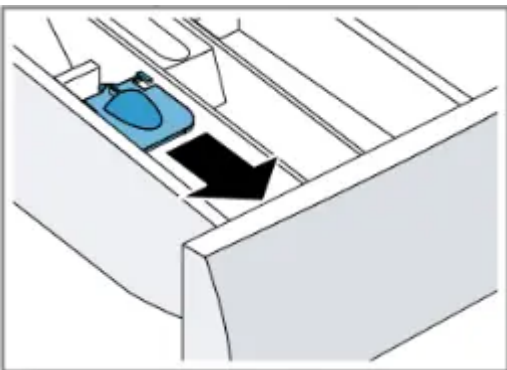
4. Insert the detergent drawer.



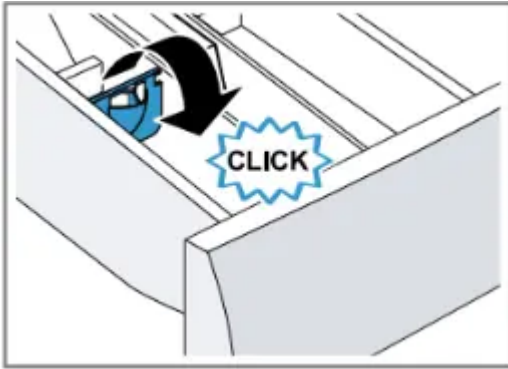
Use the measuring aid for li- quid detergent

To add liquid detergent, you can use a measuring aid in the detergent drawer.

1. Pull out the detergent drawer.
2. Slide the measuring aid forwards.



3. Fold the measuring aid down and click it into place.



4. Push in the detergent drawer.

Adding detergent and care product

Notes

- Please read the information in the "Safety" → Page 4 and "Preventing material damage" → Page 11 sections to ensure that you use the appliance safely.
- Do not use the measuring aid for liquid detergent for gel detergents, washing powder, or if Prewash or "Ready in" time are activated.

Requirement: Find out the optimum dosage for "detergent and care product." → Page 33

1. Pull out the detergent drawer.
2. Pour in detergent. → "Detergent drawer", Page 20
3. If required, add the care product.
4. Push in the detergent drawer.

Starting the programme

Note: If you want to change the time until the programme ends, set the "Ready in" time first.

Press Start/Reload.

- The drum rotates and load detection takes place. This can take up to 2 minutes, after which water enters the drum.
- The display shows either the programme duration or the "Ready in" time.
- After the programme has ended, the display shows: End.

Adjusting the "Ready in" time before the programme starts

You can readjust the selected "Ready in" time before the programme starts.

- Press Start/Reload.
- Press Finish in repeatedly until the display indicates the desired "Ready in" time.
- Press Start/Reload.

Adding laundry

Note: Please read the information in the "Safety" → Page 4 and "Preventing material damage" → Page 11 sections to ensure that you use the appliance safely.

- Press Start/Reload. The appliance is paused and checks whether it is possible to add or remove laundry. Take note of the programme status.
- Add or remove laundry.
- Close the door.
- Press Start/Reload.

Cancelling the programme

Once the programme has started, you can cancel it at any time.

Note: Please read the information in the "Safety" → Page 4 and "Preventing material damage" → Page 11 sections to ensure that you use the appliance safely.

- Press Start/Reload.
- Open the door. The appliance door remains locked for safety reasons if the temperature and water levels are high.

If the temperature is high, start the Rinse programme.

If the water level is high: Start the Spin or Drain programme.

- Remove the laundry.

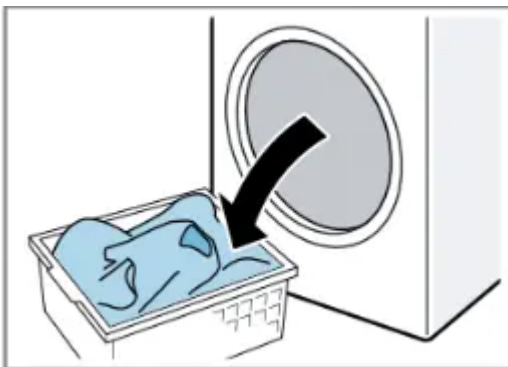
Resuming the programme when the programme status is Rinse Hold

- Set the Spin or Drain programme.
- Press Start/Reload.

Unloading the laundry

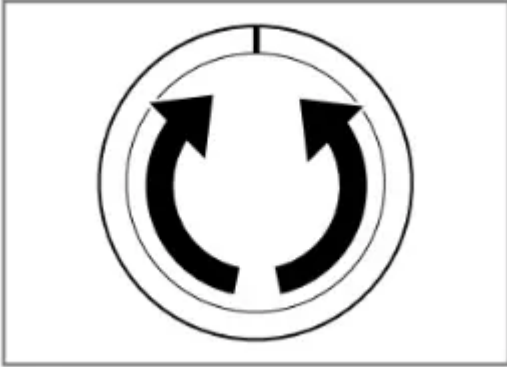
Note: Please read the information in the "Safety" → Page 4 and "Preventing material damage" → Page 11 sections to ensure that you use the appliance safely.

- Open the door.
- Remove the laundry.



Switching off the appliance

- Turn the programme selector to Off.

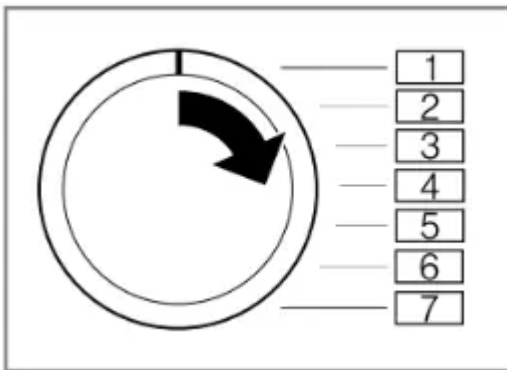


- Turn off the tap.
- Wipe the rubber gasket dry and re- move any foreign objects.



- Leave the door and detergent drawer open so that residual water can evaporate.

Changing the basic settings



1. Set the programme selector to po- sition 1.
2. Press Spin Speed and, at the same time, turn the programme selector to position 2. The display shows the current value.
3. Set the programme selector to the required position.
4. To change the value, press Finish in.
5. To save the changes, switch off the appliance.

Cleaning and servicing

To keep your appliance working efficiently for a long time, it is important to clean and maintain it carefully.

Tips on appliance care

Follow the tips for appliance care to ensure your appliance works correctly in the long term.

- Wipe down the housing and the control panel with nothing but water and a damp cloth.

The appliance parts remain clean and hygienic.

- Remove all detergent residue, spray residue or other residues immediately.

Fresh deposits are easier to remove without leaving any residue.

- Keep the appliance door and detergent drawer open after use.

This allows the residual water to dry, reducing odours in the appliance.

Cleaning the drum

If you often wash at a washing temperature of 40 °C and lower or the appliance has not been used for a long period, clean the drum.

Permanently washing at low temperatures and a lack of ventilation for the appliance may damage the drum and cause injury.

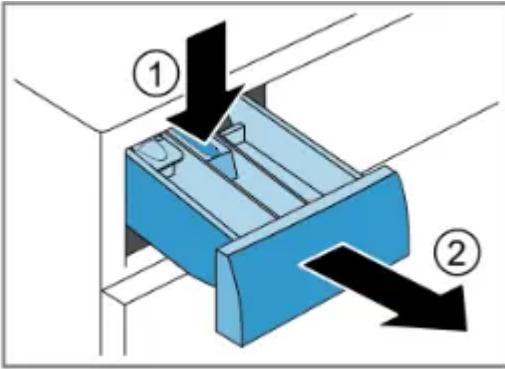
- Regularly run a programme for cleaning the drum or wash at temperatures of at least 60 °C.
- Leave the appliance to dry after every operation with the door open, and leave the detergent drawer to dry.
- Run the Drum Clean programme without laundry.

Add washing powder.

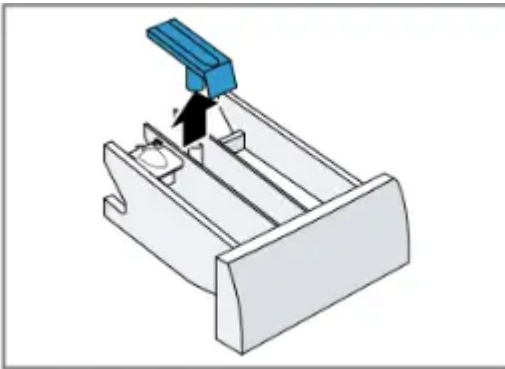
Cleaning the detergent drawer

Note: Please read the information in the "Safety" → Page 4 and "Preventing material damage" → Page 11 sections to ensure that you use the appliance safely.

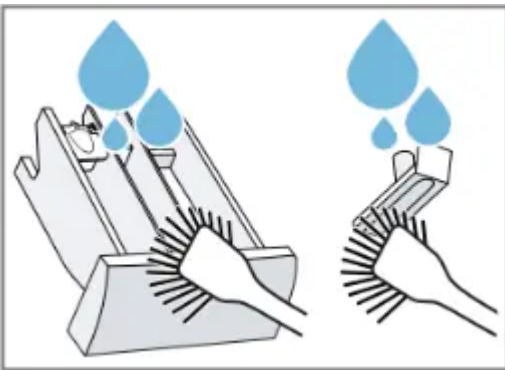
- Pull out the detergent drawer.
- Press down on the insert and remove the detergent drawer.



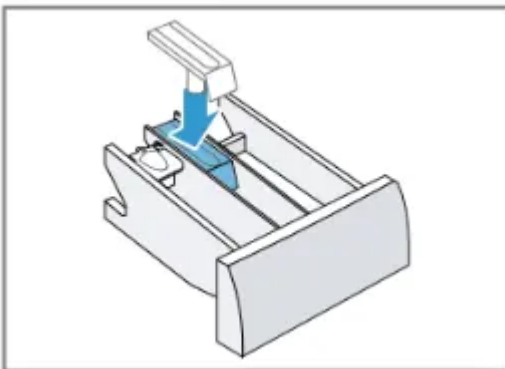
- Press out the insert upwards from below.



- Clean the detergent drawer and insert with water and a brush, and then dry them.



- Fit the insert and lock it into place.



- Cleaning the opening for the detergent drawer.



- Push in the detergent drawer.

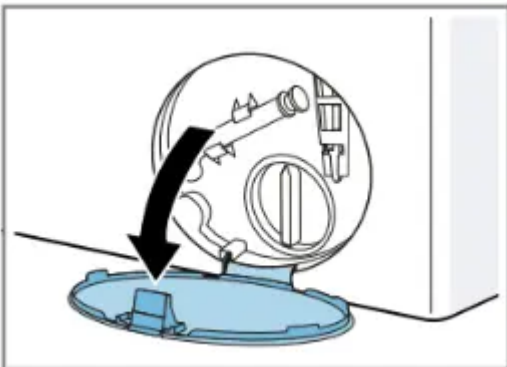
Cleaning the drain pump

Clean the drain pump in the event of faults, e.g. blockages or rattling noises.

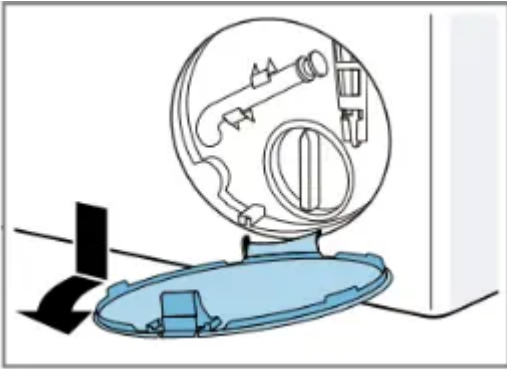
Emptying the drain pump

Note: Please read the information in the "Safety" → Page 4 and "Preventing material damage" → Page 11 sections to ensure that you use the appliance safely.

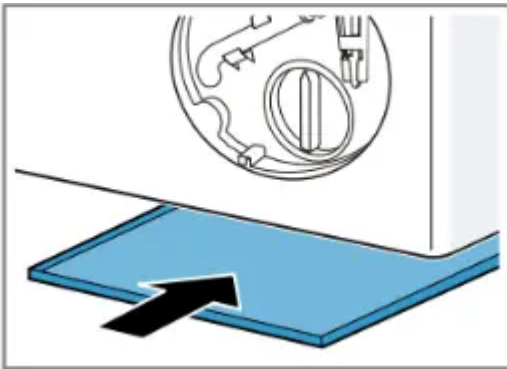
- Turn off the water tap.
- Switch off the appliance.
- Disconnect the appliance's mains plug from the power supply.
- Open the maintenance flap.



- Remove the maintenance flap.



- Slide a sufficiently large receptacle under the opening.



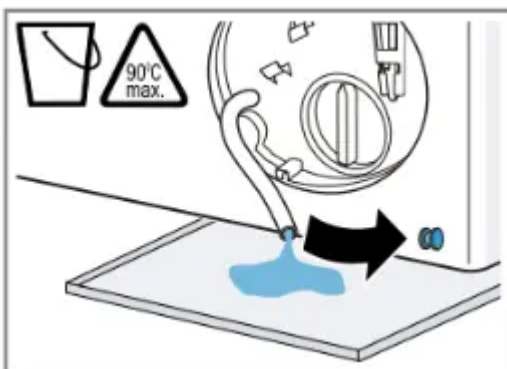
- Take the drain hose out of the holder.



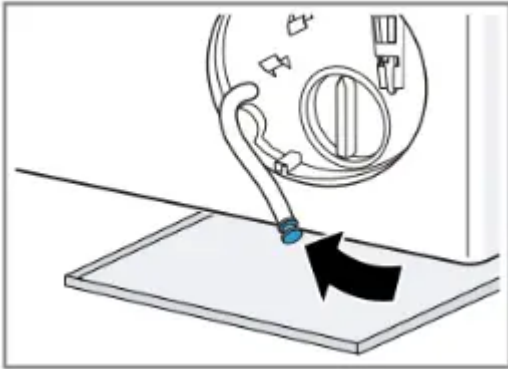
When you wash at high temperatures, the detergent solution gets hot.

Do not touch the hot detergent solution.

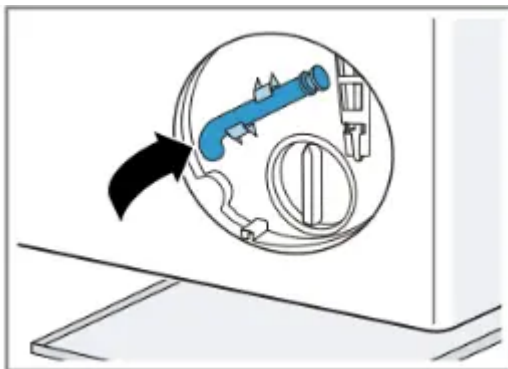
To allow the detergent solution to flow out into the container, remove the sealing cap.



Firmly press on the sealing cap.



Insert the drain hose into the holder.

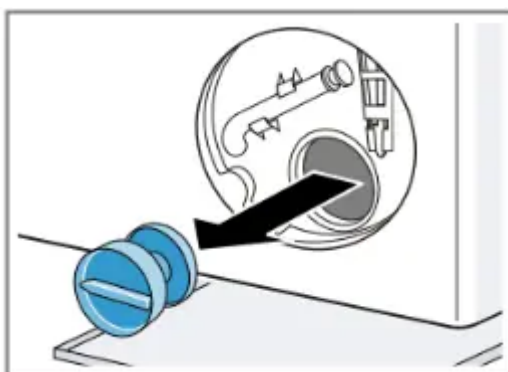


Cleaning the drain pump

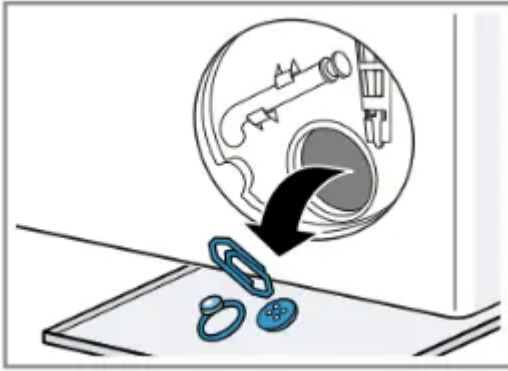
Note: Please read the information in the "Safety" → Page 4 and "Preventing material damage" → Page 11 sections to ensure that you use the appliance safely.

Requirement: "The drain pump is empty." → Page 42

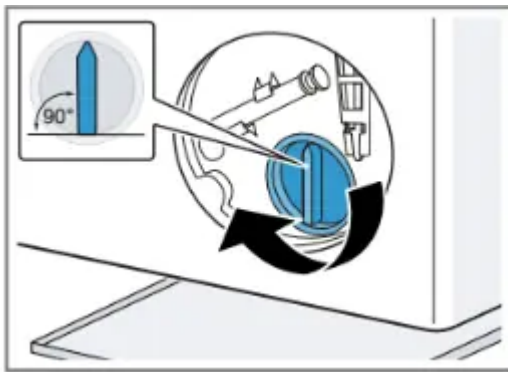
- Since water may remain in the drain pump, remove the pump cap carefully.



- Clean the interior, the thread on the pump cap and the pump housing.

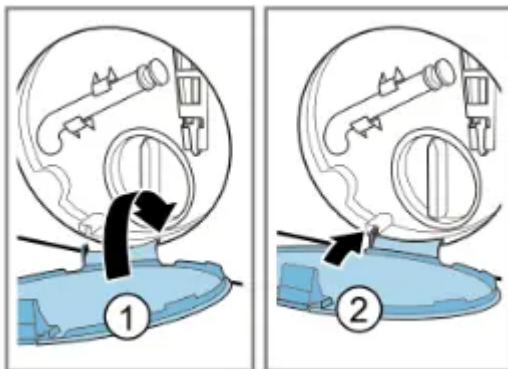


- Make sure that the impeller in the drain pump can be rotated.
- Insert the pump cap and screw it on as far as it will go.



The handle on the pump cap must be in a vertical position.

- Insert the maintenance flap and lock it into place.

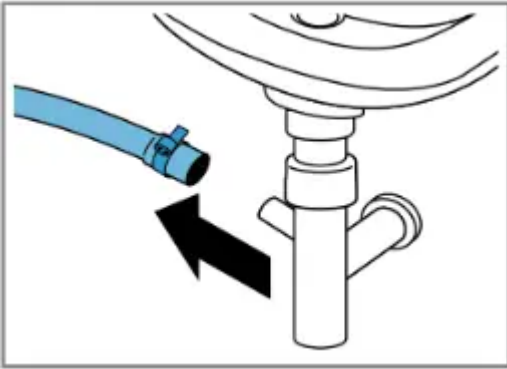


- Close the maintenance flap.

Cleaning the water outlet hose at the siphon

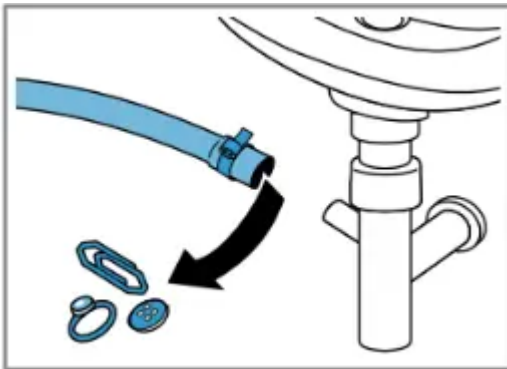
If the water outlet hose at the siphon is dirty or the detergent solution is not being pumped out, you must clean these.

- Switch off the appliance.
- Disconnect the appliance's mains plug from the power supply.
- Loosen the hose clamp and carefully remove the water outlet hose.

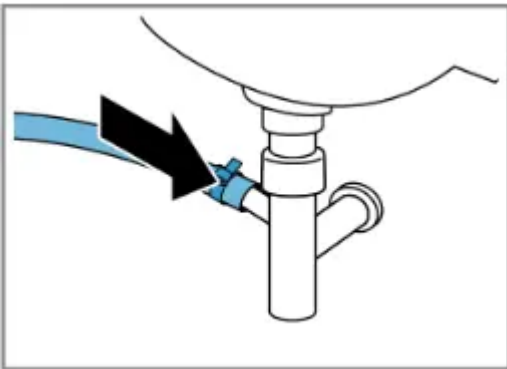


Residual water may leak out.

- Clean the water outlet hose and siphon connecting piece.



- Reattach the water outlet hose and secure the connection point using the hose clamp.



Clean the water inlet filters.

Clean the filter in the water inlet in the event of blockages or if the water pressure is too low.

Emptying the water inlet hose

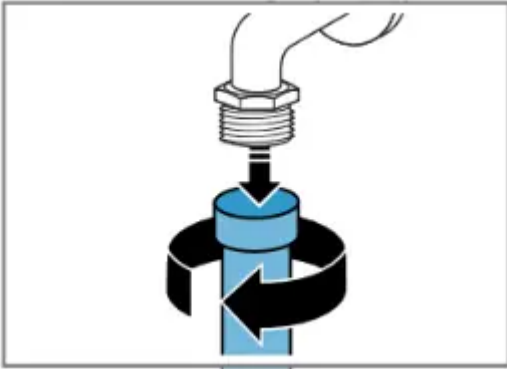
1. Turn off the tap.
2. Set a programme, except for Rinse, Spin or Drain.
3. Start the programme and leave it to run for approx. 40 seconds.
4. Switch off the appliance.
5. Disconnect the appliance's mains plug from the power supply.

Cleaning the filter on the tap

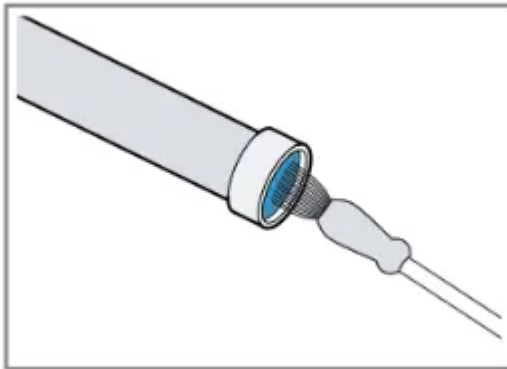
Note: Please read the information in the "Safety" → Page 4 and "Preventing material damage" → Page 11 sections to ensure that you use the appliance safely.

Requirement: The water inlet hose is empty.

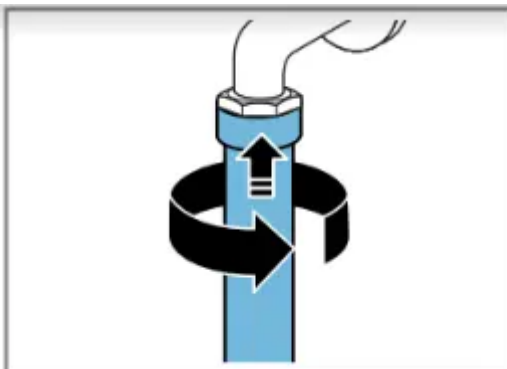
- Remove the water inlet hose from the tap.



- Clean the filter with a small brush.



- Connect the water inlet hose and check for leaks.

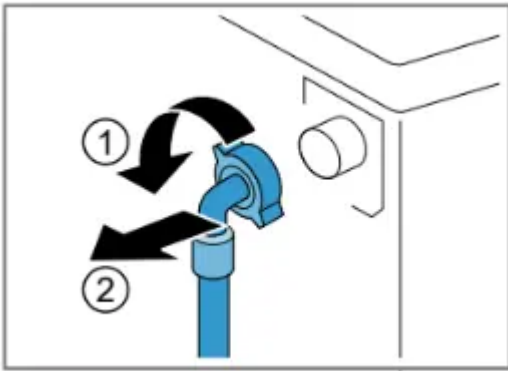


Cleaning the filter on the appliance

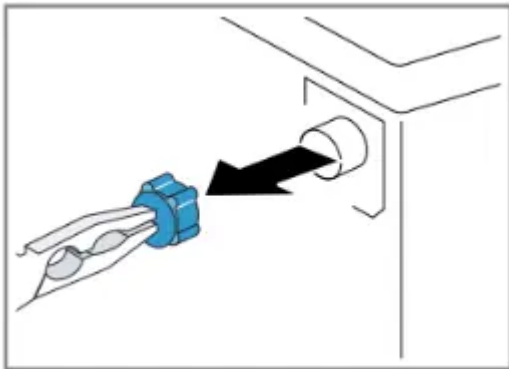
Note: Please read the information in the "Safety" → Page 4 and "Preventing material damage" → Page 11 sections to ensure that you use the appliance safely.

Requirement: The water inlet hose is empty. → "Emptying the water inlet hose", Page 45

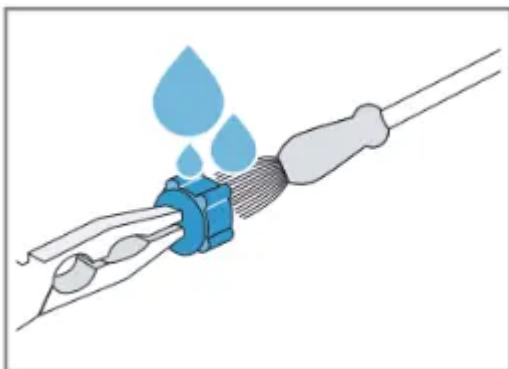
- Disconnect the hose from the rear of the appliance.



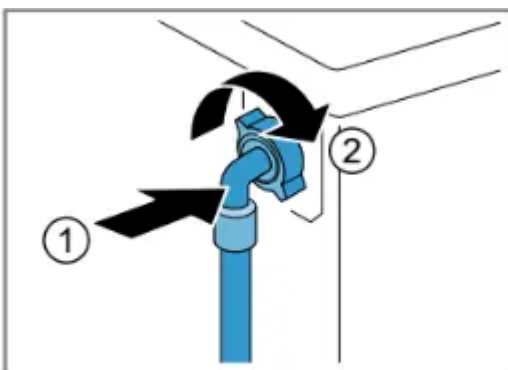
- Use pliers to remove the filter.



- Clean the filter with a small brush.



- Reinsert the filter.
- Connect the hose and check for leaks.



Troubleshooting

You can rectify minor faults on your appliance yourself. Read the troubleshooting information before contacting after-sales service. This will avoid unnecessary costs.

The display goes out and Start/Reload flashes.

- Energy-saving mode is active
Press any button.
The symbol lights up again.

"E:36 / -10"

- Drain pipe or water outlet hose is blocked.
Clean the drain pipe and the water outlet hose.
- Drain pipe or water drain hose is caught or jammed.
Ensure that the drain pipe and water drain hose are not kinked or trapped.
- Drain pump is blocked.
Cleaning the drain pump", Page 42
- The water outlet hose is connected too high.
Install the water outlet hose at a maximum height of 1 metre.
- Detergent dosage is too high.
Immediate measure: Mix one tablespoon of fabric softener with 0.5 litres of water and pour the mixture into the left-hand compartment (not for outdoor clothing, sportswear or items stuffed with down).
Reduce the amount of detergent for the next washing cycle with the same load.
- Unapproved extension installed on the water drain hose.
Remove any unapproved extensions from the water hose. Connecting the appliance

"E:36 / -25 / -26"

- Drain pump is blocked.
→ "Cleaning the drain pump", Page 42



- The water pressure is low.
No remedial action possible.
- The filters in the water inflow are blocked.

Clean the filters in the water in- flow" → Page 45.

- The tap is turned off.

Turn on the tap.

- The water inlet hose is kinked or jammed.

Ensure that the water inlet hose is not kinked or jammed.

: flashes.

- The automatic voltage control system detects an unauthorised voltage under-usage.

No remedial action possible.

Note: If the power supply is stable, the programme continues to run as normal.

- Voltage under-usage may cause extension of a programme.

No remedial action possible.

. flashes.

- Voltage under-usage may cause extension of a programme.

No remedial action possible.

lights up.

- The temperature is too high.

Wait until the temperature has dropped.

Cancelling the programme", Page 37

- Water level is too high.

Start the Drain programme.

- Laundry is caught in the door.

1. Open the door again.
2. Remove any trapped laundry.
3. Close the door.
4. Press Start/Reload to start the programme.

flashes.

- Door is not closed.

1. Close the door.
2. Press Start/Reload to start the programme.

All other error codes.

- Malfunction

Call the after-sales service. → "Customer Service", Page 57

The appliance is not working.

- The mains plug of the power cord is not plugged in.

Connect the appliance to the power supply.

- The circuit breaker is faulty.

Check the circuit breaker in the fuse box.

The appliance is not working.

- There has been a power cut.

Check whether the lighting in your kitchen or other appliances are working.

The water is not draining.

- Drain pipe or water outlet hose is blocked.

Clean the drain pipe and the water outlet hose.

- Drain pipe or water drain hose is caught or jammed.

Ensure that the drain pipe and wa- ter drain hose are not kinked or trapped.

- Drain pump is blocked.

→ "Cleaning the drain pump", Page 42

The spin cycle runs several times.

- The unbalanced load detec- tion system eliminates an im- balance by repeatedly redis- tributing the laundry.

Not a fault – no action required.

Note: When loading, where possible, place large and small items of laundry together in the drum. Different sized items of laundry distribute themselves better during the spin cycle.

The programme duration changes during the wash cycle.

- The programme operation is optimised electronically. This may change the pro- gramme duration.

Not a fault – no action required.

- The unbalanced load detec- tion system eliminates an im- balance by repeatedly redis- tributing the laundry.

Not a fault – no action required.

High spin speed not reached.

- Unbalance load detection system is using a reduced spin speed to eliminate an unbalance.

Redistribute the laundry in the drum.

Note: Where possible, mix large and small items in the drum. Different sized items of laundry distribute themselves better during the spin cycle.

Start the Spin programme.

The spin programme does not start.

- Drain pipe or water outlet hose is blocked.

Clean the drain pipe and the water outlet hose.

- Drain pipe or water drain hose is caught or jammed.

Ensure that the drain pipe and water drain hose are not kinked or trapped.

- The unbalanced load detection system has interrupted the spin cycle because the laundry is unevenly distributed.

Redistribute the laundry in the drum.

Note: Where possible, mix large and small items in the drum. Different sized items of laundry distribute themselves better during the spin cycle.

Start the Spin programme.

Rushing, hissing noise.

- Water is flushed under pressure into the detergent drawer.

Not a fault – normal operating noise.

Loud noises during the spin cycle.

- Appliance is not correctly aligned.

Aligning the appliance

- The appliance feet are not fixed.

Secure the appliance feet. Aligning the appliance

- Transit bolts have not been removed.

Removing the transit bolts

Banging noises, rattling in the drain pump.

- Foreign bodies have got into the drain pump.

→ "Cleaning the drain pump", Page 42

Slurping, rhythmical suction noise.

- The drain pump is active, the detergent solution is pumped out.
Not a fault – normal operating noise.

Creasing.

- The wrong programme is selected for the type of fabric.
Select the programmes that are suitable for the type of fabric. → "Programmes", Page 24

Detergent or fabric softener drips off the seal and collects on the door or in the seal fold.

- Too much detergent/fabric softener in the detergent drawer.
When dosing liquid detergent and fabric softener, observe the marking in the detergent drawer and do not dose above this.

The spin result is not satisfactory. The laundry is too wet/too damp.

- A low spin speed is selected.
The next time you run a wash cycle, set a higher spin speed.
Start the Spin programme.

Detergent residue on the damp washing.

- Detergents may contain water-insoluble substances that deposit on the laundry.
Start the Rinse programme.

Detergent residue on the dry laundry.

- Detergents may contain water-insoluble substances that deposit on the laundry.
Brush out the laundry after washing and drying.

Warning

This content is compiled from multiple sources and is provided for reference purposes only. It may not be complete or fully applicable to all situations. If you are unable to resolve your issue, please contact the product manufacturer or an authorized service provider for official support.