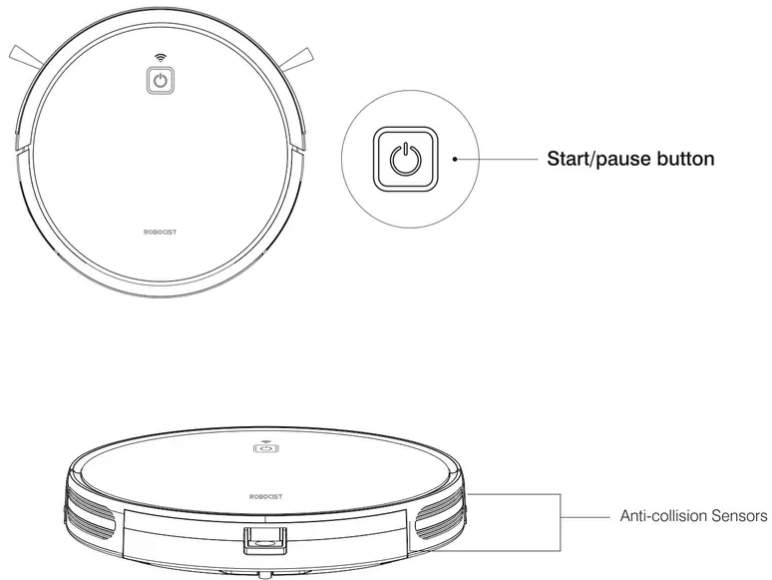
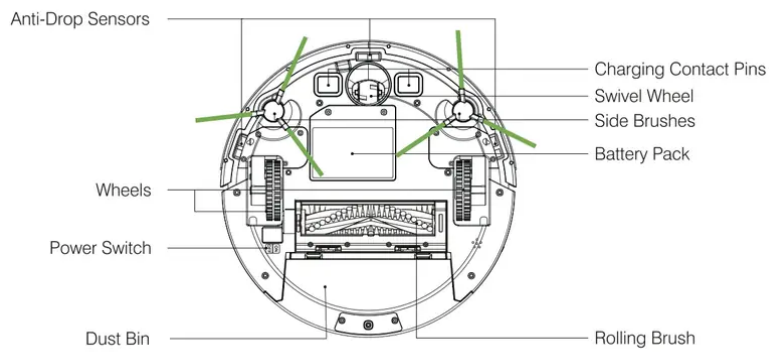


About Your Robot

Robot



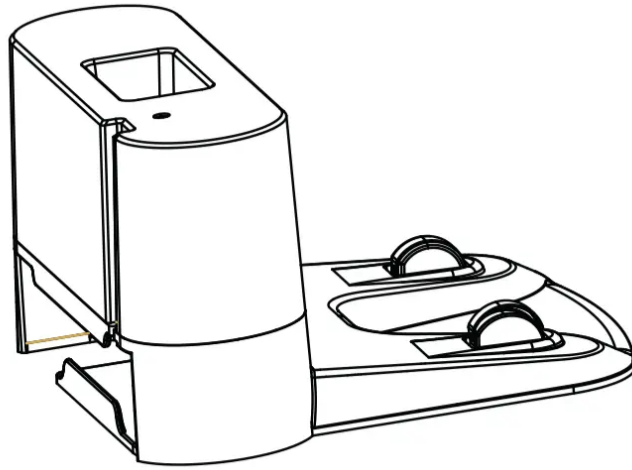
Bottom



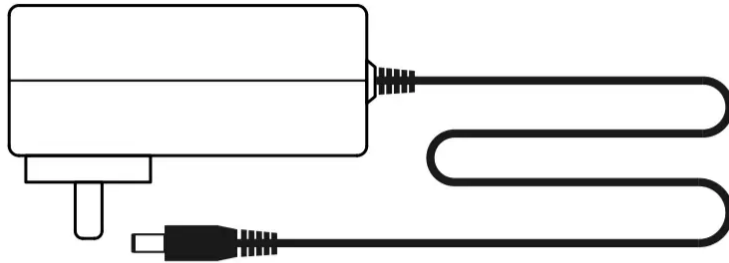
Accessories

- Charging Dock

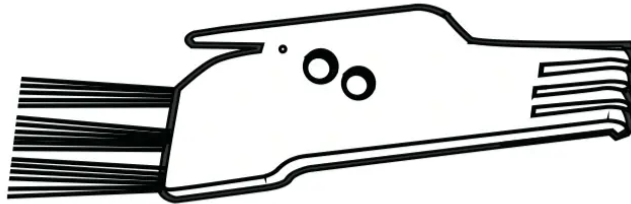




- Adapter

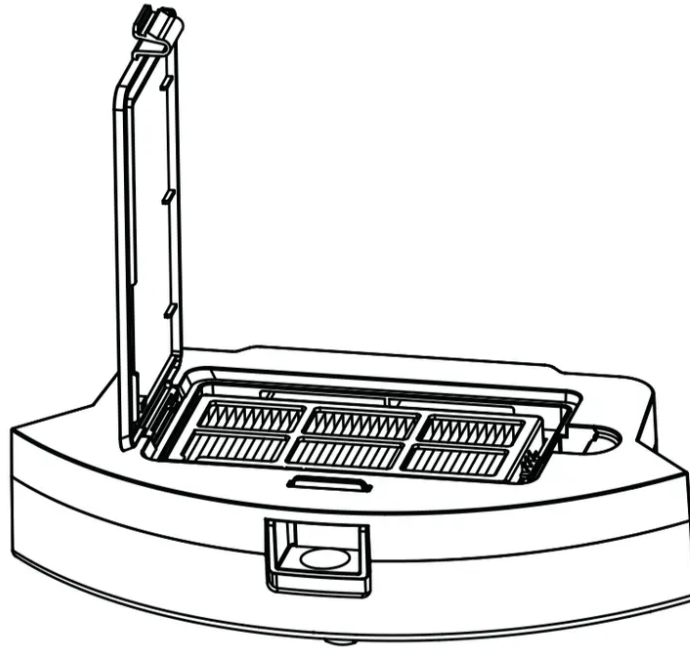


- Brush

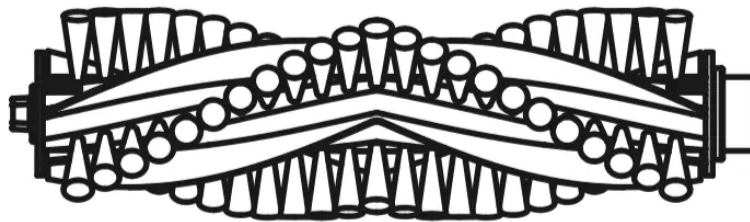


- Dust Bin

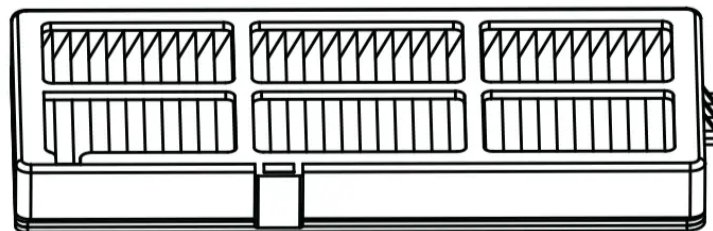




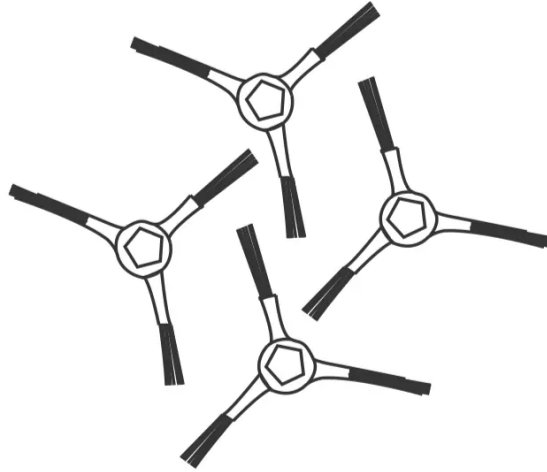
- Rolling Brush



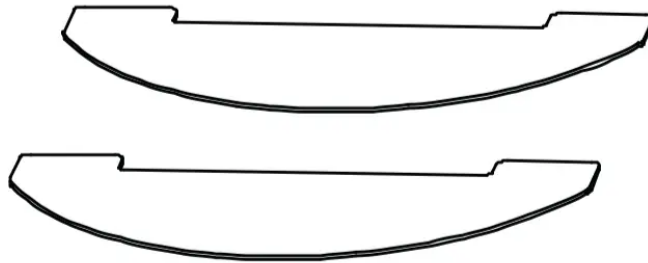
- Sponge Filter and High Efficiency Filter



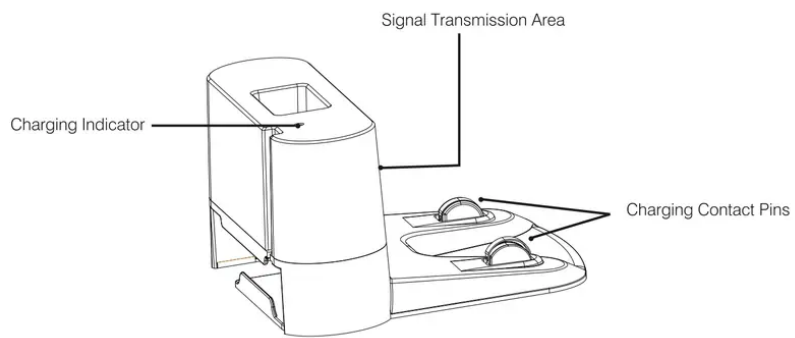
- 4 x Slide Brushes



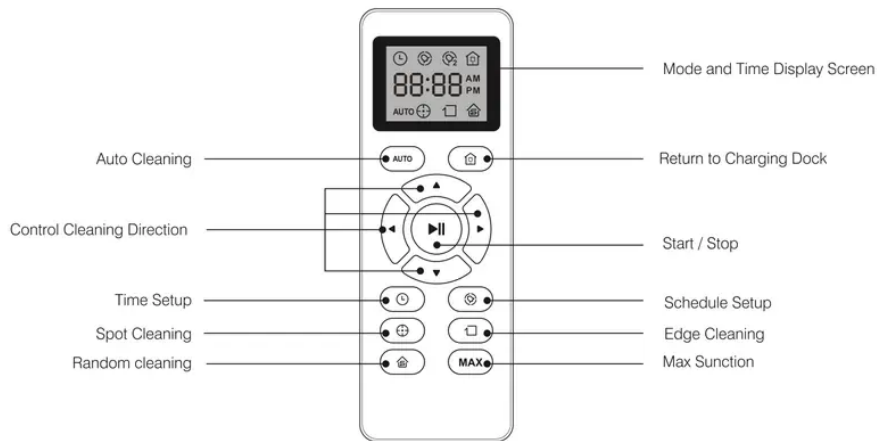
- 2 x Cleaning Cloths



Charging Dock



Remote Control



Light indicator

Robot status	Light
Charging	Purple light breathes
Charging finished	Blue light ON
Standby mode	Blue light ON
Error	Red light ON/flashing
Low battery	Purple light on
Cleaning	Blue light ON
Sleeping mode	Light Off

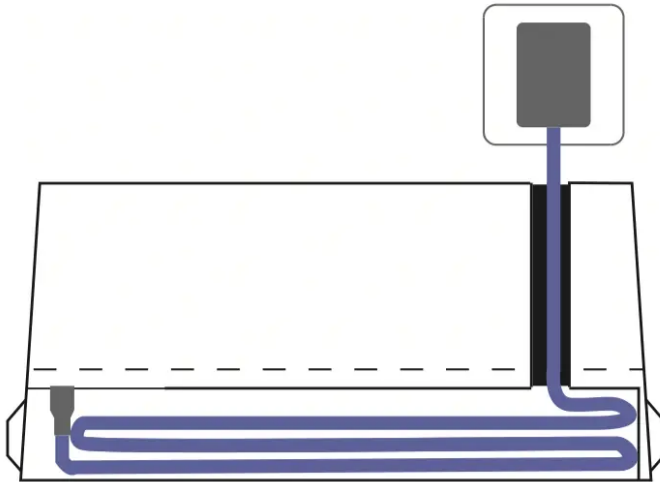
Using Your Robot

Quick Start

1. Plug in the Charging Dock, and take the rest wire into the trunking at the bottom of Charging Dock.

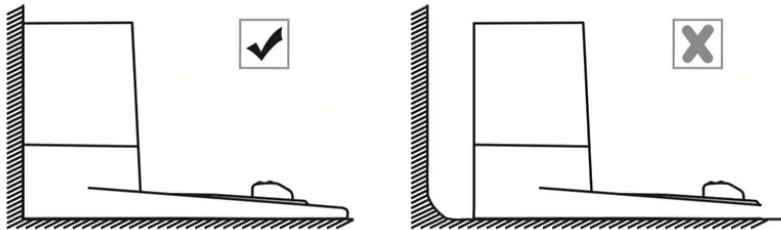
Note: If you don't put the rest wire into the trunking, which may stuck the Robot while

charging or cleaning.



2. Charging Dock Position

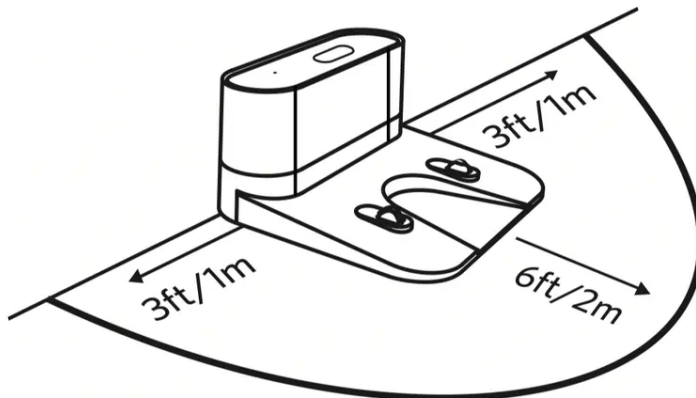
Place the Charging Dock on a hard, level surface and against a wall.



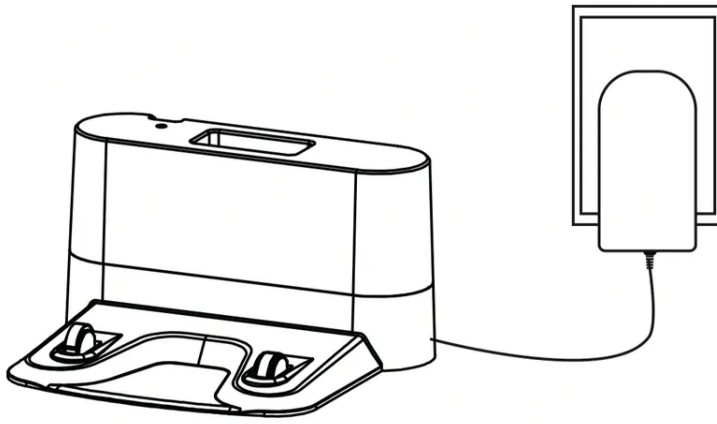
Place the Charging Dock against the wall & make sure the place is open & uncluttered area leaving at least

2 metre (6.5 feet) in front of the Charging Dock.

1 metre (2.3 feet) on both sides of the Charging Dock.



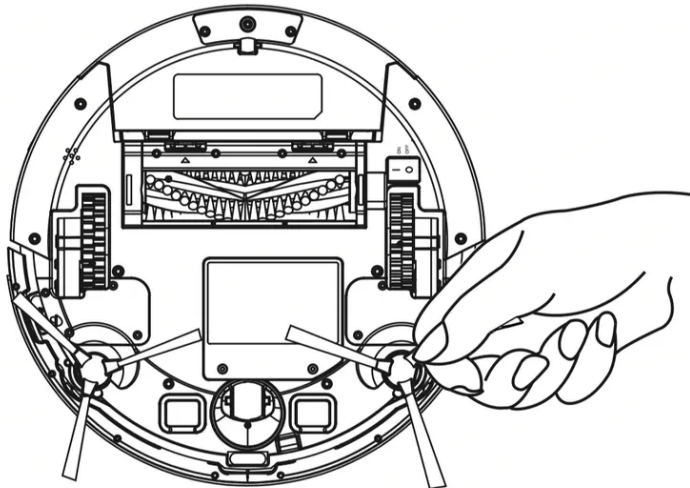
Connect the round connector of the adapter into the power socket on the Charging Dock and the other end into a wall outlet.



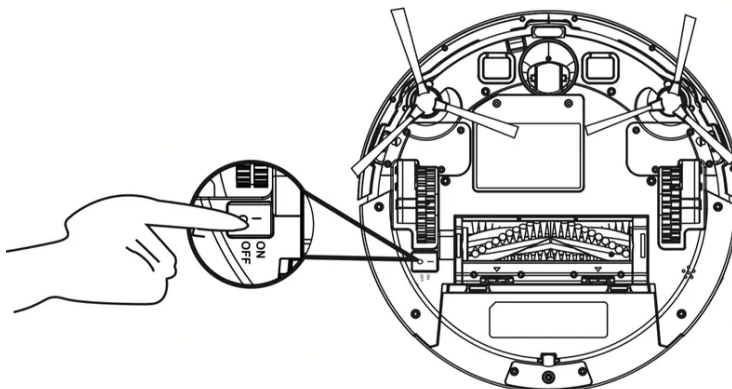
Caution: Install the Charging Dock in a location that robot can easily access. It is recommended to place the Charging Dock plugged in, otherwise robot will not automatically return to it.

3. Install Side Brushes

Attach side brushes to the bottom of robot by pressing a brush into each slot.




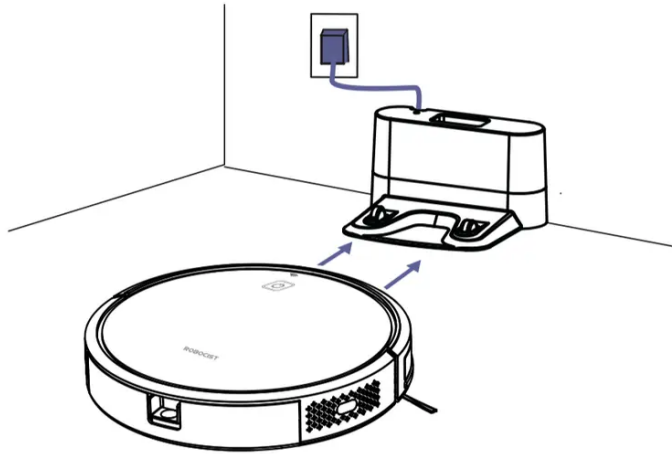
4. Turn on the main power switch on the bottom of robot.



5. Activate the Robot


Place robot onto the Charging Dock, making sure the metal charging contacts on the Charging Dock match up with those underneath the Robot.

If successful you will hear a series of tones. Once the  Power button illuminates robot is ready for use.



6. Start Cleaning Cycle

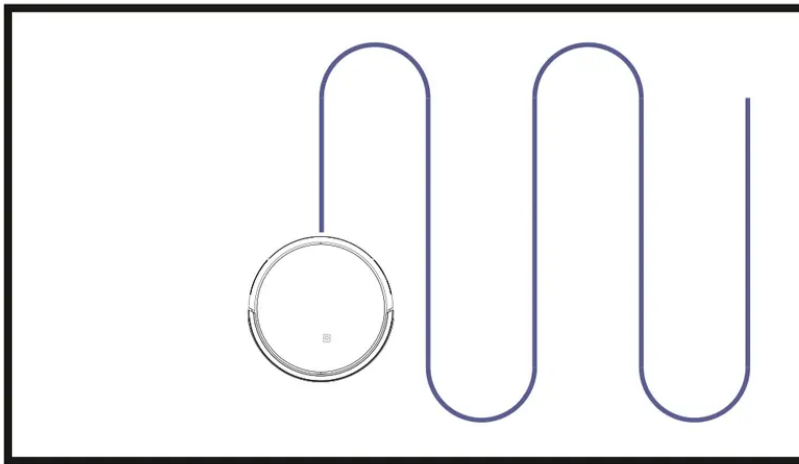
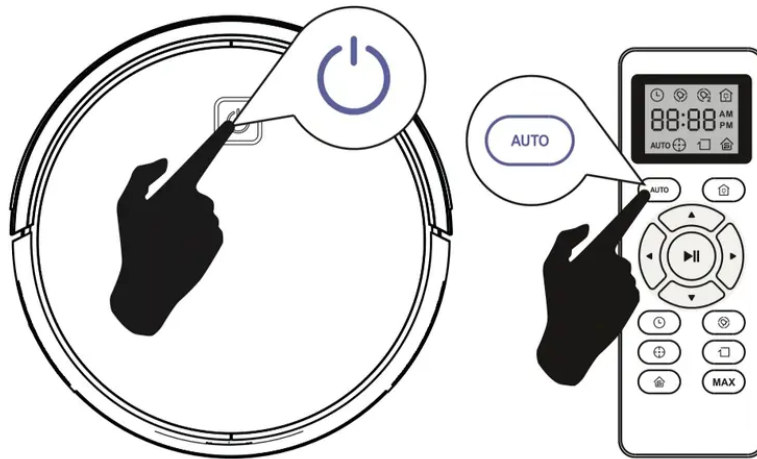
Press  the power button Once to wake up the Robot.

Press  the power button again to start a cleaning cycle.



If its battery gets low before finishing a cleaning cycle, robot will return to the Charging Dock to recharge.


If the Charging Dock is inaccessible, Robot will not able to recharge, it will return to its starting location and the cleaning cycle will end, please place the Robot manually on Charging Dock for charging. (Refer Activate the Robot).


Note: Please refer to section 2.2 for more Cleaning Mode.



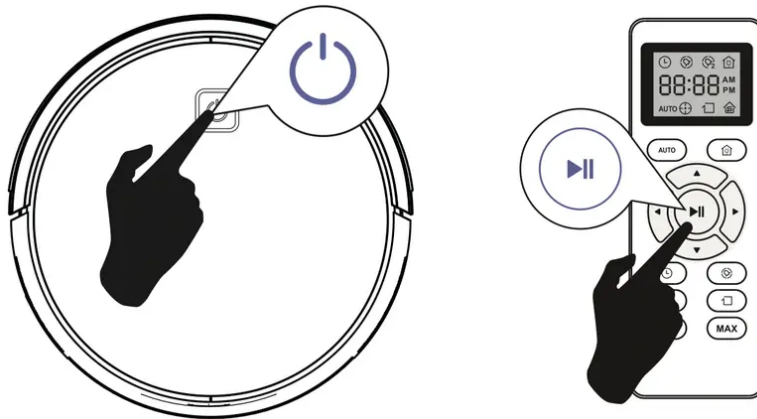
7. Pause

To pause the Robot during a cleaning cycle press the  button or press the  button on Remote Control.

To resume the cleaning cycle, press  button again.

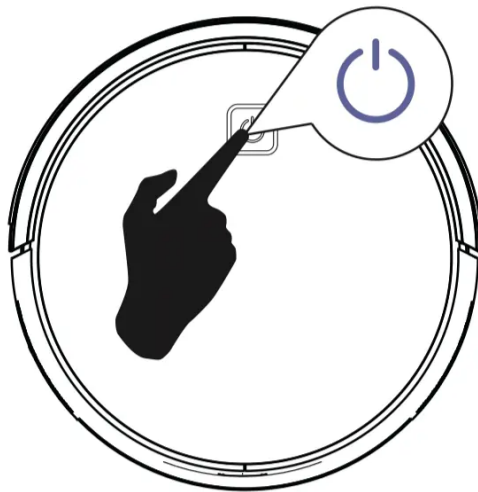
To send robot back to The Charging Dock, press  button.

Note: The actions listed above can also be managed from the Remote Control.



8. Power OFF

To end the cleaning cycles and put the robot in standby mode. Push the 'O/I' switch at bottom of the Robot to turn off the Robot.



How Robot Clean your home

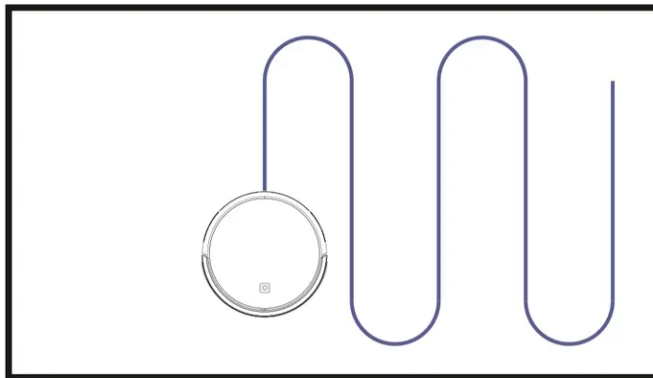
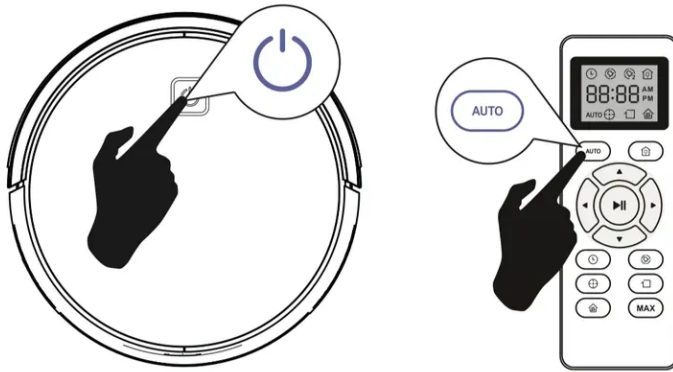
1. Auto cleaning

At the start of a cleaning cycle, Robot will map out your home and cleaning them efficiently.


At various times throughout the cleaning cycle, Robot touches up around the edges of the room, as well as chair legs and other furniture.

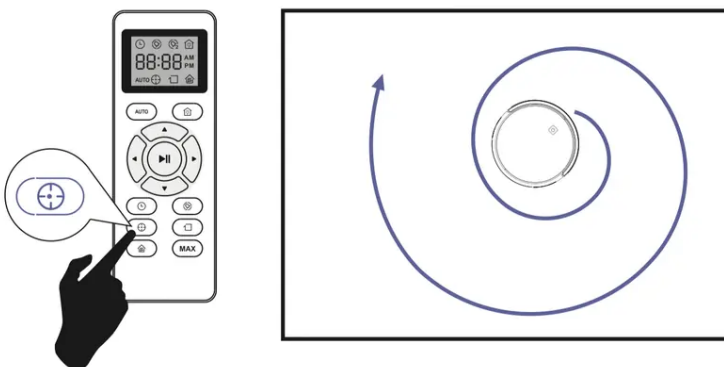
Robot continues this process until it has cleaned entire level of your home. If its battery gets low before finishing a cleaning cycle, Robot auto returns to the Charging Dock to recharge.

Once Robot finishes its cleaning cycle, Robot returns to the Charging Dock to recharge.




2. Spot Cleaning

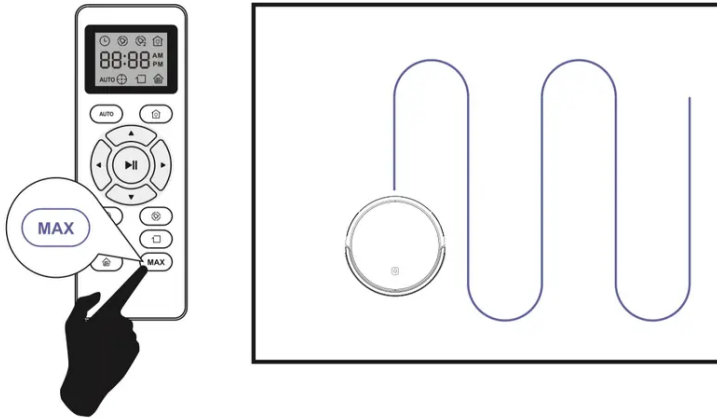
When you select Spot Cleaning, Robot intensely cleans a localized area by spiraling outward about 3 feet (1 meter) in diameter and then spiraling inward to where it started. When Spot Cleaning, Robot boosts its vacuum power to provide the best cleaning possible where you need it. To use Spot Cleaning, place Robot on top of the localized debris and press  (Spot) on the Remote Control.




3. Max Vacuuming Cleaning

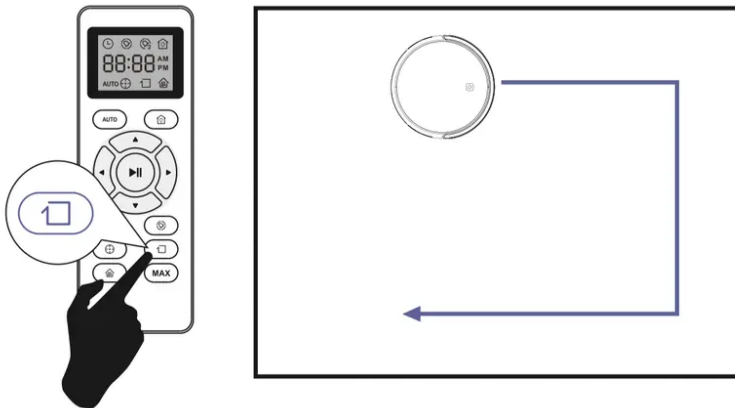
Robot increases its vacuum power to provide a deeper clean when press the .

button on Remote control, Max Vacuuming Cleaning if Off by default.



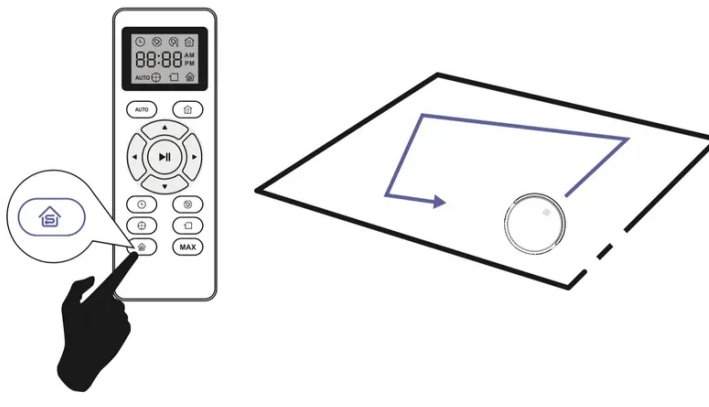
4. Edge Cleaning

After Robot finishes cleaning the open areas of your floor, it uses Edge Clean to ensure that it has cleaned along walls and around furniture Legs. If you prefer a quicker edge cleaning, press the  button on Remote Control.



5. Random cleaning.

Press the button on the remote  control to start random cleaning.




Cleaning Schedule

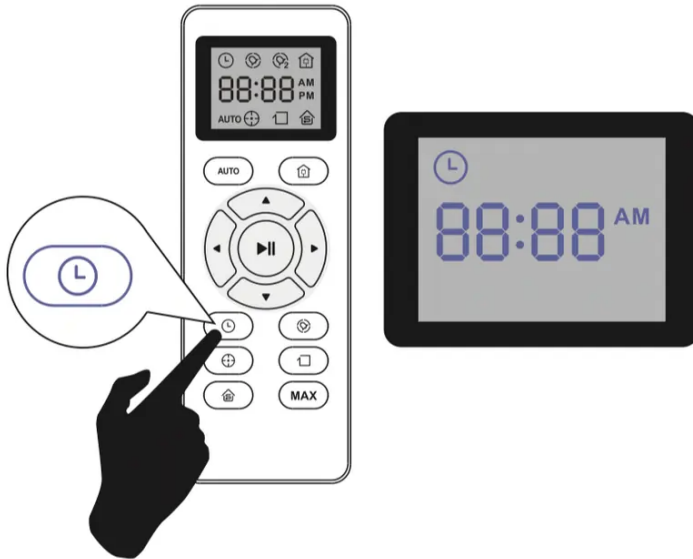
Robot has cleaning schedule settings which allow you to customize when Robot cleans your home. These settings are available only through the Remote Control.







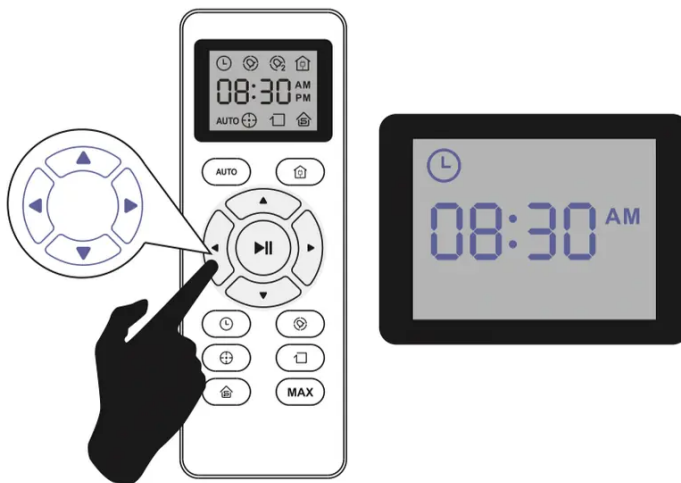
Note: Please make sure the Remote Control near by the Robot while setting the Clock or Schedule.


1. Set the Remote Control's Clock.

Press  button on Remote Control, and then the hour section begins to flash in the clock display setting window.



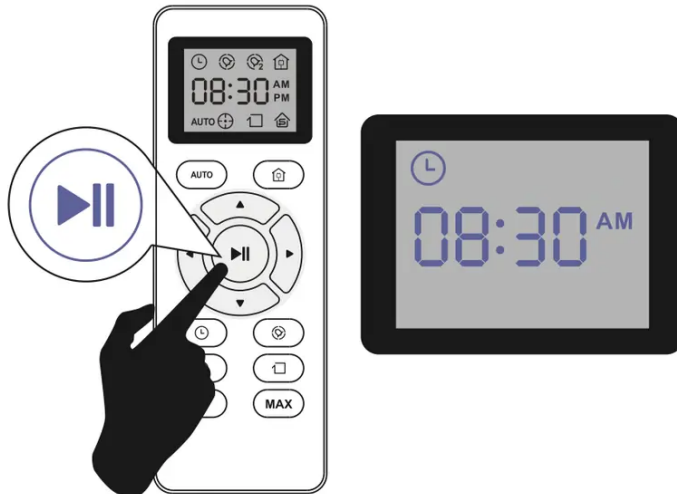
Press  or  button to select the desired figures. Press the  or  button to select the minute or hour section.




And then press the  button. The Robot will "BEEF" when the clock setting

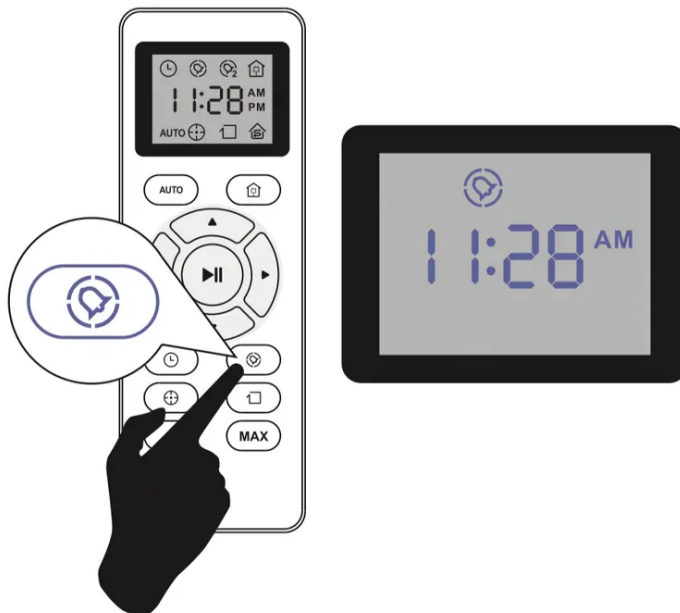






completed.




2. Setting Cleaning Schedule

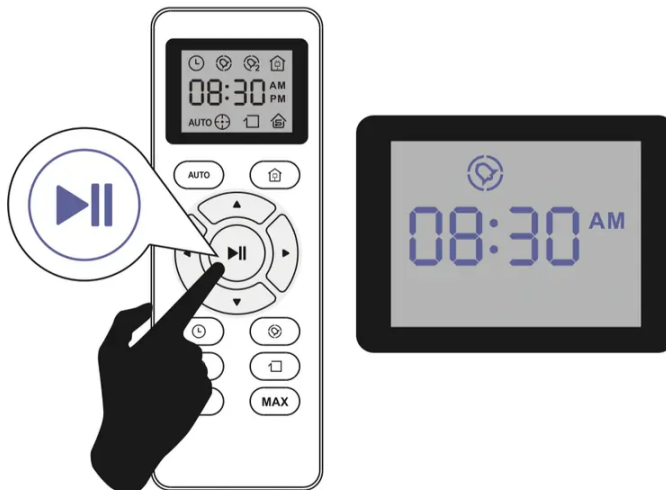
Press  button on Remote Control, and then the hour section begins to Hash in the Cleaning Schedule display setting window.



Press  or  button to select the desired figures. Press the  or  button to select the minute or hour section.



And then press the  button. The Robot will "BEEF" when the Cleaning Schedule setting completed.

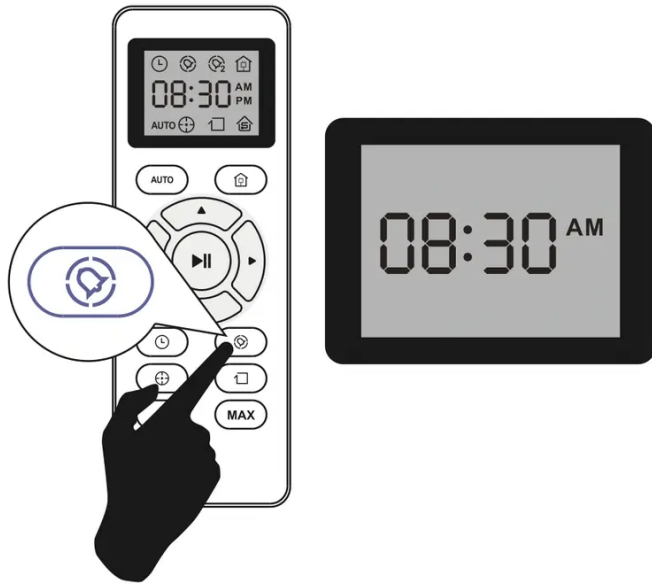


3. Cancel the Cleaning Schedule

Press and hold  button approximately 4 seconds on Remote Control, the Robot



will "BEEF" when the Cleaning Schedule process cancel completed.



Regular Robot Care

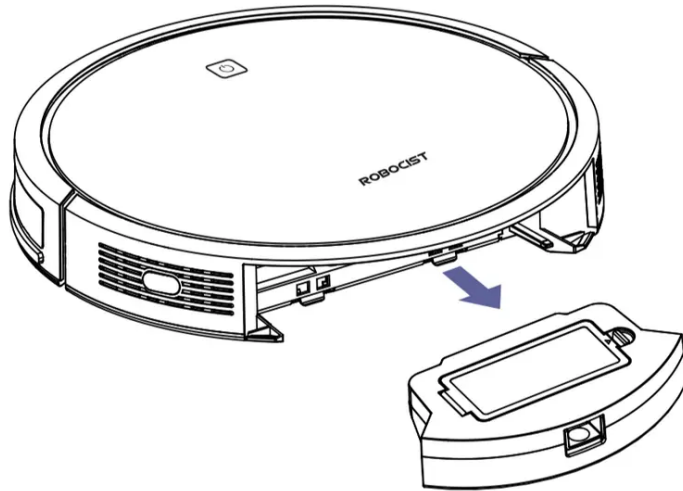
To keep Robot running at peak performance, perform the following care procedures. If you notice Robot picking up less debris from your floor, then empty the bin, clean the filter and rolling brush.

Recommended cleaning / replacement frequency:

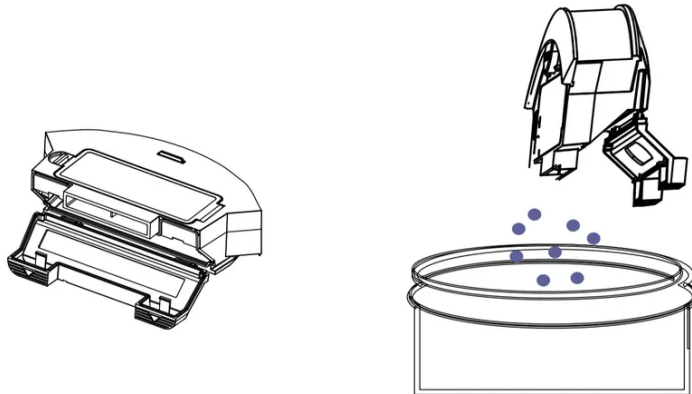
Robot Part	Cleaning	Replacement Frequency
Dust Bin	After each use	—
Filters	Once every week	Every 2 months
Rolling Brush	Once every week	Every 6-12 months
Side Brushes	Once every month	Every 3-6 months(or when visibly worn)
Brush Guard	Once every month	Every 3-6 months(or when the silicone rubber strip on the brush guard becomes visibly worn)
Sensors	Once every month	—
Charging Pins	Once every month	—
Swivel Wheel	Once every month	—

Emptying Robot's Bin

1. Press bin release button to remove the bin.

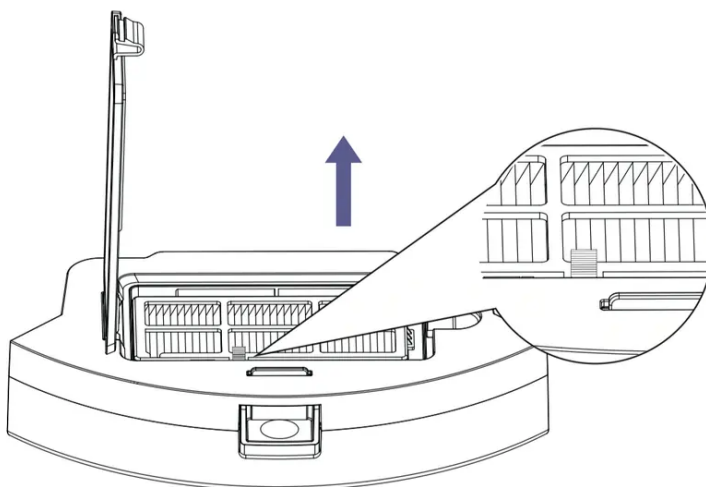


2. Open bin's door to empty.

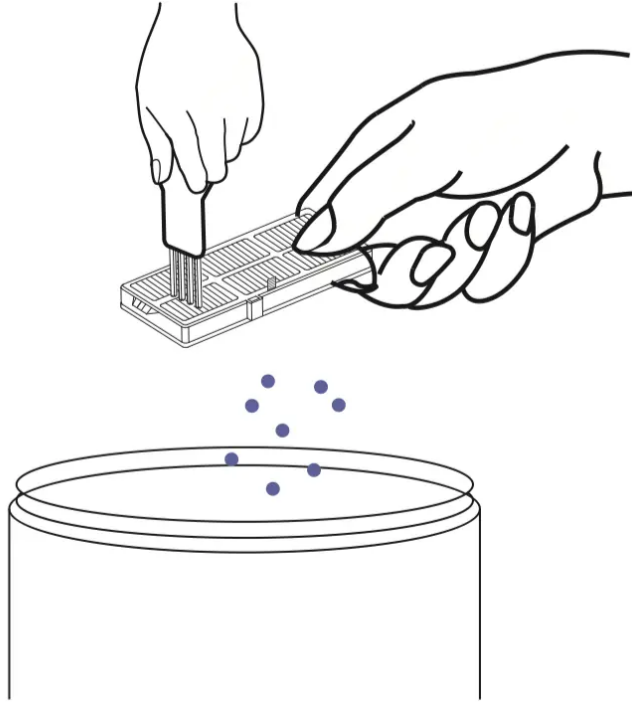


Cleaning Robot's Filter

1. Remove filter by grasping the white tab.

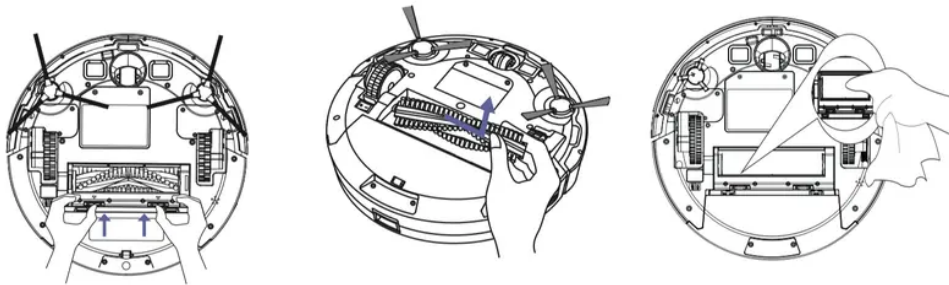


Shake off debris by tapping the filter against your trash container.

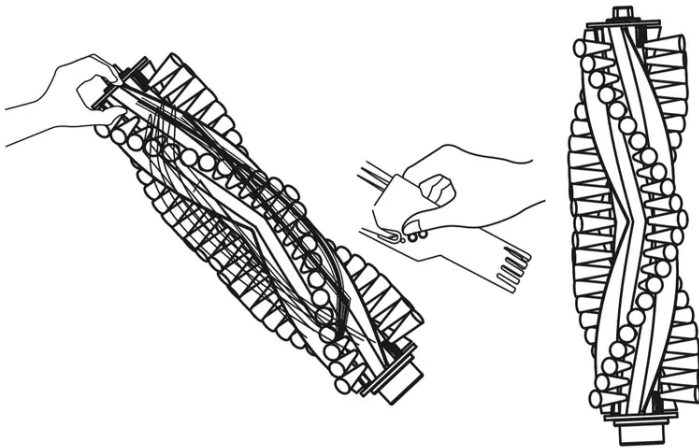


Cleaning Robot's Rolling Brush, Side Brush, Swivel Wheel and Sensors.

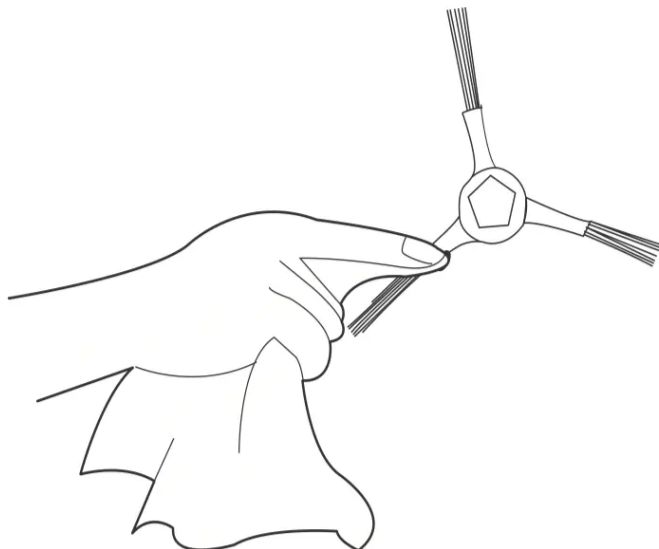
1. Take out the rolling brush, clean the vacuuming aisle by a cloth.



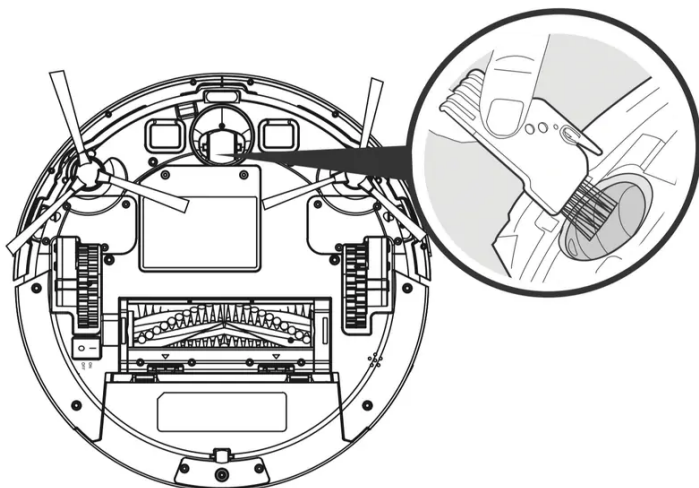
2. Clean the rolling brush. Cut down the hair winded in the rolling brush with the provided cleaning tool's knife.



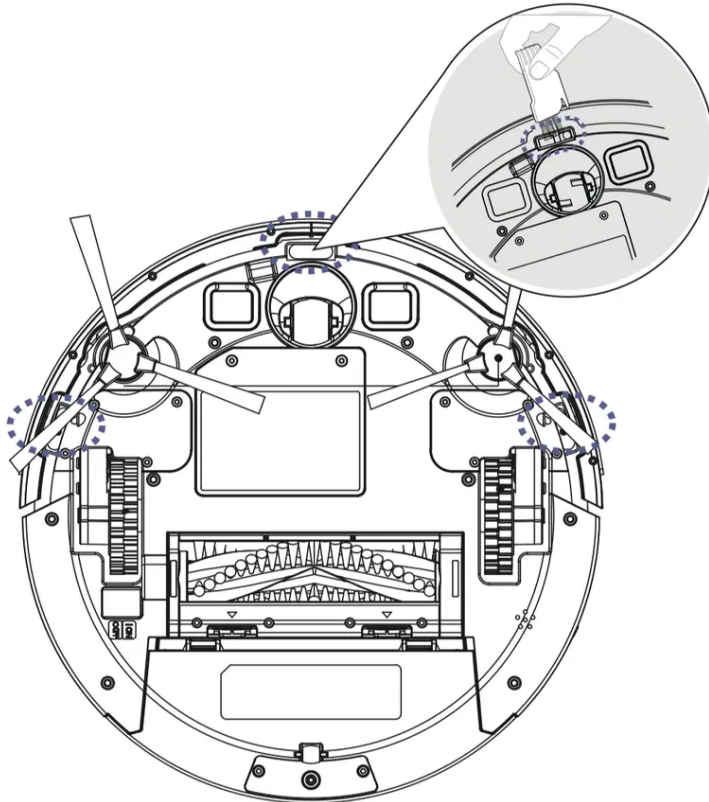
3. Remove the side brush, use a cloth to remove the dust from the brush.



4. Pull out the swivel wheel, then clean the Swivel Wheel with the cleaning tool.



5. Dust off the cliff sensors to maintain the best performance.



Troubleshooting

Light indicator

Any error that occurs during operation will be notified by the robot through light status and beeps, the instruction as below:

Beeps and red light flashing:

	beeps	error	solution
01	1	Gyroscope error	Keep the robot at a stable place to restart and do not move the machine
02	2	bumper error	Check the bumper and remove any object that could be blocking it
03	3	drop sensor error	Check if the drop sensor dirty and clean sensor
04	4	Low power or charging error	robot voltage is too low and needs manually charging

Beeps and red light always on:

	beeps	error	solution
01	1	Driving wheel error	Check if the drive wheel is blocked
02	2	Side brushes error	Check if the side brush is blocked and clean the side brush
03	3	Fan error	Clean up the garbage and air ducts channel
04	4	Roller brush error	Check if the roller brush is entangled and clean the roller brush

Tips:

If the above method can not solve the problem, please try the following:

1. Turn on the power switch at the bottom of the robot and restart.
2. If the problem cannot be solved by restarting, please contact the after-sales service center.



Frequently asked questions

Problems	Solutions
Robot cannot be activated.	<ul style="list-style-type: none"> • Make sure the main power switch is in the ON position. • Make sure the battery is fully charged. • Replace the batteries (2 AAA) in the Remote Control. • Make sure the remote control is within range (16 ft/5 m) of robot. • If you still have trouble, turn off the main power switch and then turn it back on.
The remote control does not work.	<ul style="list-style-type: none"> • Replace the batteries in the Remote Control. • Make sure robot is turned on and fully charged.
Robot stops working suddenly.	<ul style="list-style-type: none"> • Check if robot is trapped or stuck on an obstacle. • Check if the battery level is too low. • If you still have trouble, turn off the main power switch, wait for 2 seconds, and then turn it back on.
You can't schedule cleaning.	<ul style="list-style-type: none"> • Make sure the main power switch on the bottom of robot is turned on. • Make sure the time, time of day (AM/PM), and the scheduled time have been set correctly. • Check if robot's power is too low to start cleaning.
Suction power is weak.	<ul style="list-style-type: none"> • Check if any obstructions are blocking the suction inlet. • Empty the dust bin. • Clean the filters with a vacuum cleaner or cleaning brush. • Check if the filters are wet due to water or other liquid on the floor. Air-dry the filters completely before use.
Robot can't be charged.	<ul style="list-style-type: none"> • Check if the indicator on the Charging Dock lights up. If not, contact the service center to repair or replace the Charging Dock. • Dust off the charging contact pins with a dry cloth.



Problems	Solutions
	<ul style="list-style-type: none"> • Check if you can hear a beep when robot is trturn the Charging Dock. If not, contact the amarey service center to repair or replace the Charging Dock.
Robot cann't return to the Charging Dock	<ul style="list-style-type: none"> • Remove object within 3 ft/1 m to the left and right side and within 6ft/2m of the front of the Charging Base. • When robot is in the vicinity of the Charging Dock, it will return more quickly. However, if the Charging Dock is located far away, Robot will need more time to return. Please be patient as it works its way back. • Clean the charging contact pins
The rolling brush doesn't rotate.	<ul style="list-style-type: none"> • Clean the Rolling Brush. • Check if the Rolling Brush and brush guard have been installed properly.
Robot movements or travel path are abnormal.	<ul style="list-style-type: none"> • Clean the sensors carefully with a dry cloth. • Restart robot by turning the power switch off and on.

Warning

This content is compiled from multiple sources and is provided for reference purposes only. It may not be complete or fully applicable to all situations. If you are unable to resolve your issue, please contact the product manufacturer or an authorized service provider for official support.