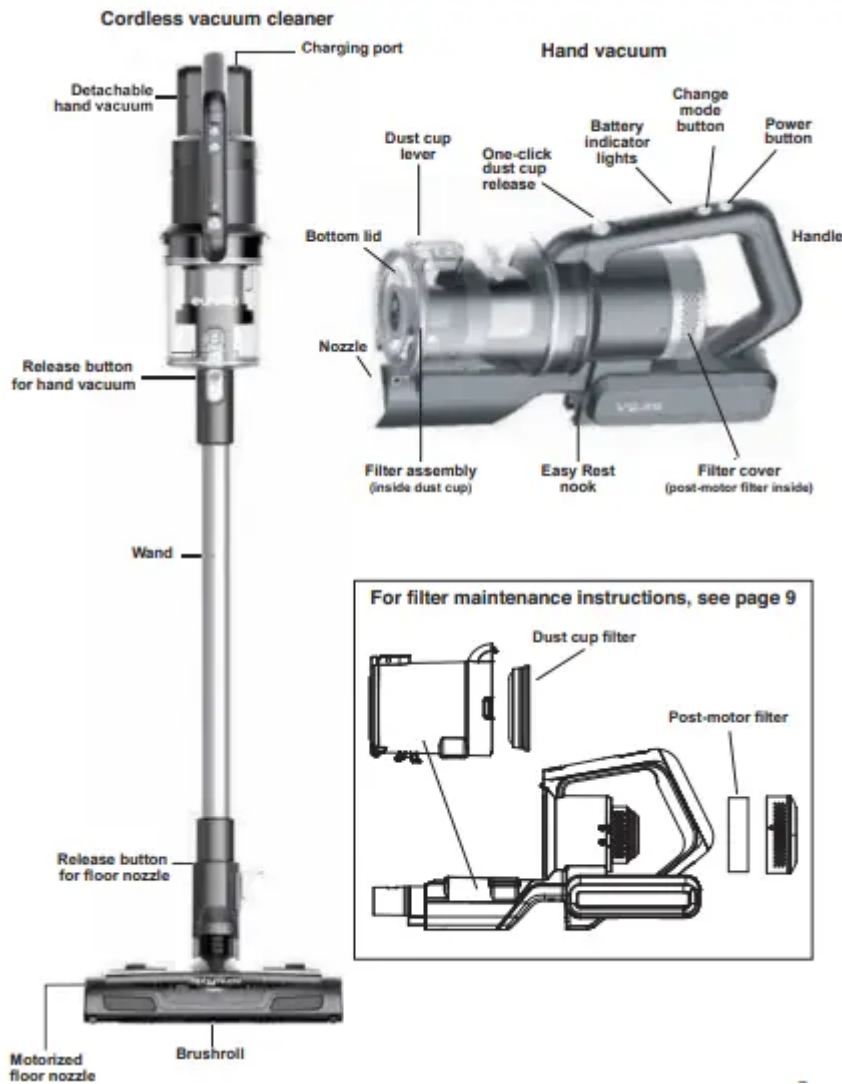


How to identify parts of your Vacuum Cleaner

Cordless Vacuum Cleaner



Easy assembly

1. Slide wand onto hand vacuum until it clicks (Fig. 1).
2. Push wand into motorized floor nozzle until it clicks (Fig. 2).

How to install wall mount

- Choose location near power outlet. Locate point high enough on wall to allow wand and motorized floor nozzle to hang freely.
- Place mount against wall and use pencil to mark drill holes.

- Drill holes (with 1/4" bit) and insert drywall anchors. Insert screws through holes on mount and tighten until firmly attached (Fig.3).

How to charge battery and store accessories

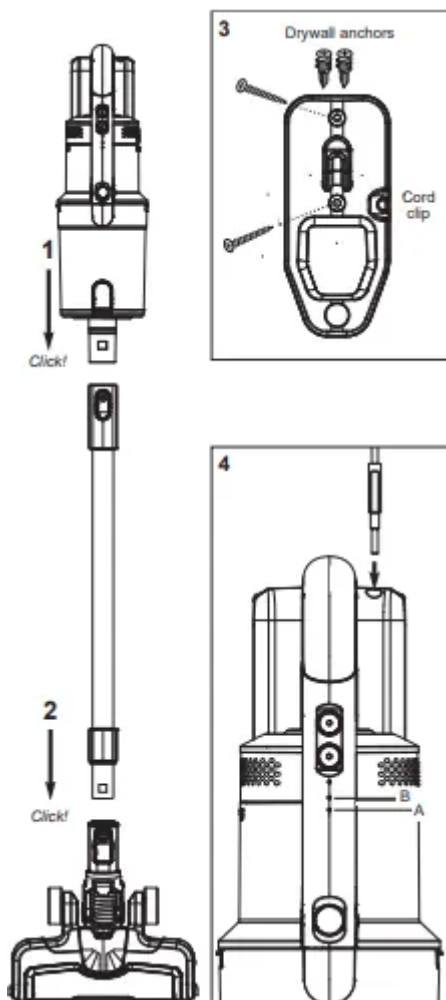
- Place assembled vacuum cleaner on wall mount.
- Plug charger into power outlet and then into charger port on handle (Fig.4).
- Loop charger cord into clips on sides of wall mount.

Battery Indicator lights show level of charge (Fig. 4):

A. Fully charged

B. Half charged

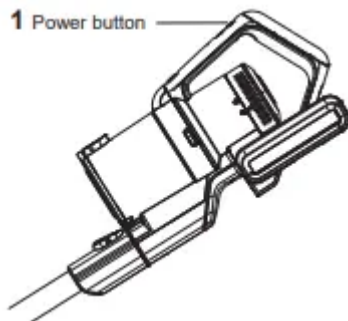
- Indicator lights stop blinking when fully charged.
- Charge battery fully before using for the first time. This may take up to six hours.



How to use cleaner for cleaning floors

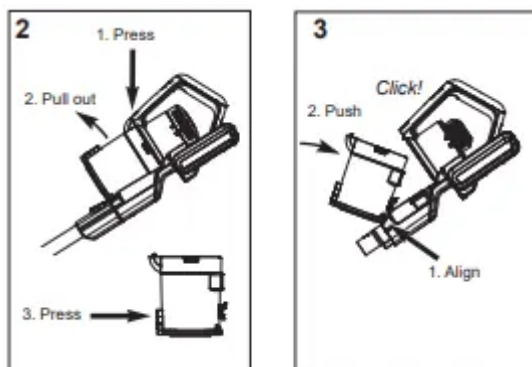
- Click power button once to start (Fig.1). Vacuum starts on medium mode. Use mode button to switch between modes.

- Using motorized floor nozzle, glide back and forth on area to be cleaned. Avoid oversized or sharp items (such as screws) with cleaner.
- Twist wrist to engage swivel function.
- When done, click power button once to stop engine.



Empty dust cup after every use

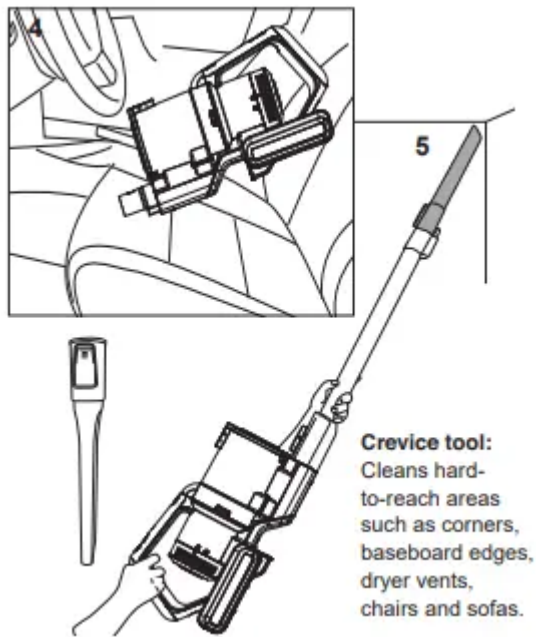
- Click the dust cup release button, located on the front of the handle just above the dust cup and pull dust cup out (Fig.2).
- Press lever to release bottom lid of dust cup to empty debris. (Fig.2).
- To place the dust cup back, angle it forward so the lower hook catches in the slot and then gently push it back towards the wand until you hear click indicating it is locked in place. (Fig.3)



How to use hand vacuum and accessories

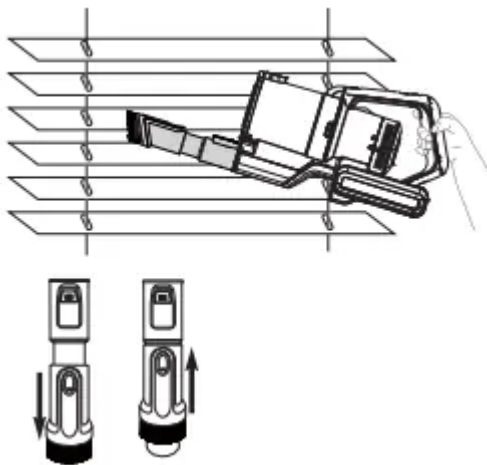
The hand vacuum can be used with or without tools.

- To use without tools, press release button and remove wand. Collect debris directly with hand vacuum nozzle (Fig.4).
- To use tools with wand, press release button to remove motorized floor nozzle. Slide tool onto end of wand until it clicks (Fig.5).
- To use tools with hand vacuum only, press release button to remove wand. Slide tool onto hand vacuum until it clicks.



Use with or without wand.

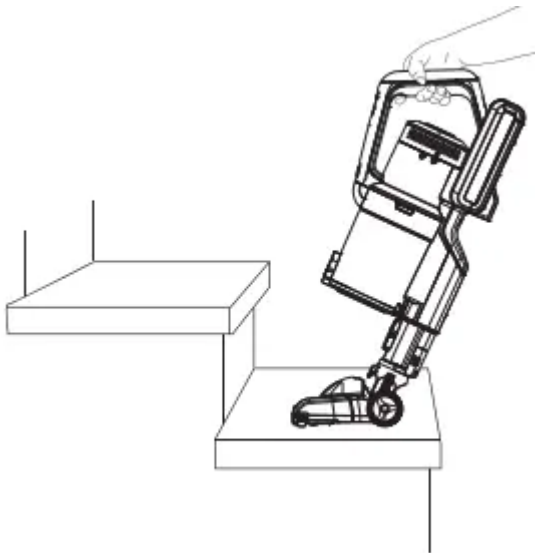
- 2-in-1 upholstery tool: Use brush to vacuum blinds, vents or upholstered surfaces. Use felt portion to clean delicate surfaces. To switch between felt and brush portions, press thumb release and slide brush up or down.



How to use hand vacuum and motorized floor nozzle

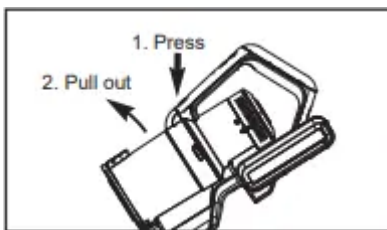
Ideal for cleaning stairs.

- Press release button to remove wand from hand vacuum. Attach motorized floor nozzle directly to hand vacuum until it clicks.
- Click power button once to start. Vacuum starts on medium mode. Use mode button to switch between modes depending on suction power desired.

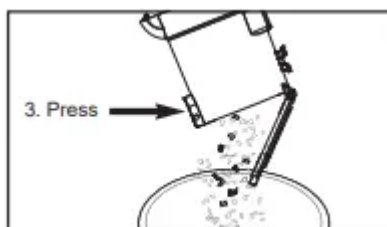


How to maintain your vacuum cleaner

Dust cup - Empty after each use



Click the dust cup release button, located on the front of the handle just above the dust cup and pull dust cup out.



Press lever to release bottom lid of dust cup to empty debris.

Washable dust cup filter - clean monthly



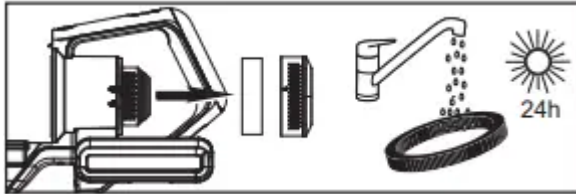
1. Click the dust cup release button, located on the front of the handle just above the dust cup and pull dust cup out.

2. Lift out pre-motor filter and shake off dust frequently. Every three months rinse filter and dry THOROUGHLY.

3. Reattach filter and Cyclone.

4. Click dust cup back into place on unit.

Washable post-motor filter - clean every 6 months



1. Twist filter cover and remove.

2. Lift out post-motor filter.

3. Shake to remove dust.

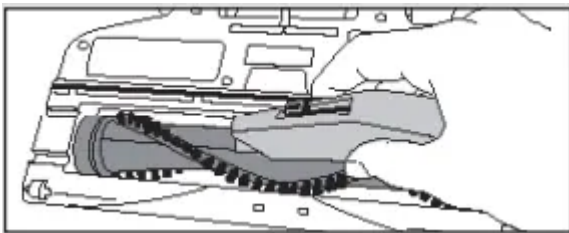
4. Every 6 months, replace filter or rinse and dry THOROUGHLY.

5. Reposition filter and cover and twist to 'clock.'

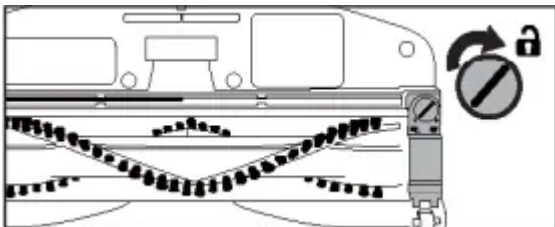
How to maintain brushroll

To avoid unnecessary service calls, periodically check brushroll for debris. If brushroll gets clogged it will automatically shut off. Turn vacuum off and unplug before attempting to remove clog.

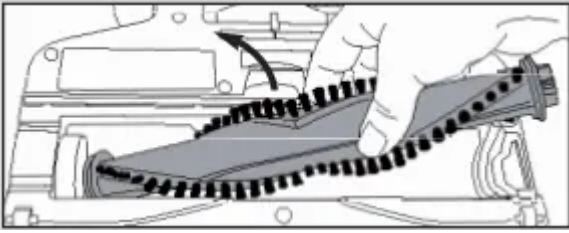
Brushroll maintenance - clean frequently or when brushroll indicator light turns red.



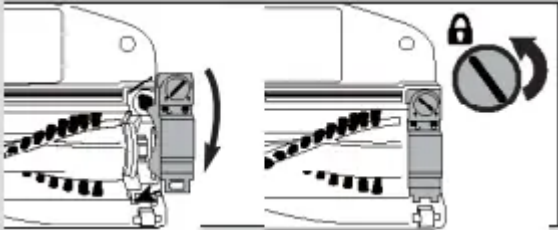
Place motorized floor nozzle upside down. Use scissors or knife to cut strings and threads.



If debris cannot be removed easily, remove retainer clip to access brushroll. Using flathead screwdriver or coin, turn screw to the 'unlock' position.



Remove retainer clip and lift out brushroll to clean and remove debris.



To reassemble:

1. Align one end of brushroll with floor nozzle gear.
2. Press other end into slot.
3. Hook retainer clip under tab and press down.
4. Insert screw and turn to lock' position.

Problem solving

Problem	Solution
Motor will not start	<ul style="list-style-type: none">• Make sure cleaner is fully powered.• Push charger securely into electrical outlet, try another outlet or check circuit breaker.• See detailed “thermal cut-off” instructions above.
Charging indicator lights are not lit while charging	<ul style="list-style-type: none">• Make sure charger is securely inserted into electrical outlet.• Make sure charging plug is securely inserted into handle.• Indicator lights stop blinking when fully charged.
Not enough suction power	<ul style="list-style-type: none">• Empty dust cup and clean or change filters. See page 9 for maintenance instructions.• Make sure cleaner is fully powered. Charge battery.• Remove clogs that restrict the airflow.
Not enough running time	<ul style="list-style-type: none">• Make sure cleaner is fully powered.• Charge battery for up to six hours before using.
Brushroll will not turn	<ul style="list-style-type: none">• Check brushroll for debris. See page 9 for maintenance instructions.

Warning

This content is compiled from multiple sources and is provided for reference purposes only. It may not be complete or fully applicable to all situations. If you are unable to resolve your issue, please contact the product manufacturer or an authorized service provider for official support.