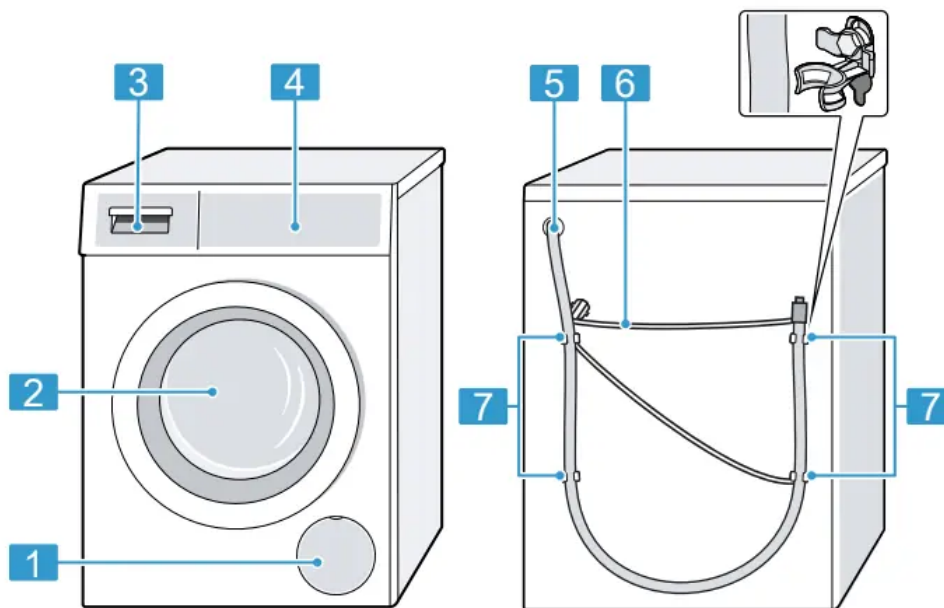


Familiarising yourself with your appliance

Appliance

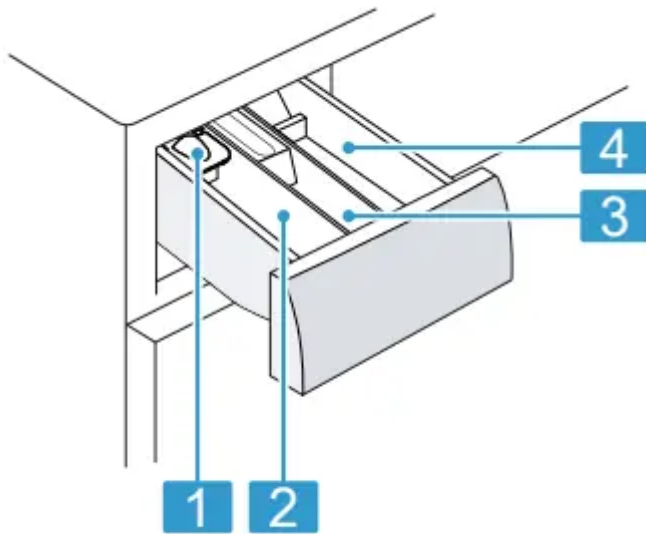
You can find an overview of the parts of your appliance here.



On certain models, specific details such as the colour and shape may differ from those pictured.

1	"Maintenance flap for the drain pump" → <i>Page 42</i>
2	Door
3	"Detergent drawer" → <i>Page 20</i>
4	"Controls" → <i>Page 20</i>
5	"Water outlet hose" → <i>Page 17</i>
6	"Power cord" → <i>Page 18</i>
7	"Transit bolts" → <i>Page 15</i>


Detergent drawer



1. Measuring aid for liquid detergent → "Using a measuring aid for liquid detergent", Page 35

2. Compartment II:

- Detergent for main wash
- Water softener
- Bleach
- Stain remover

3. Compartment :

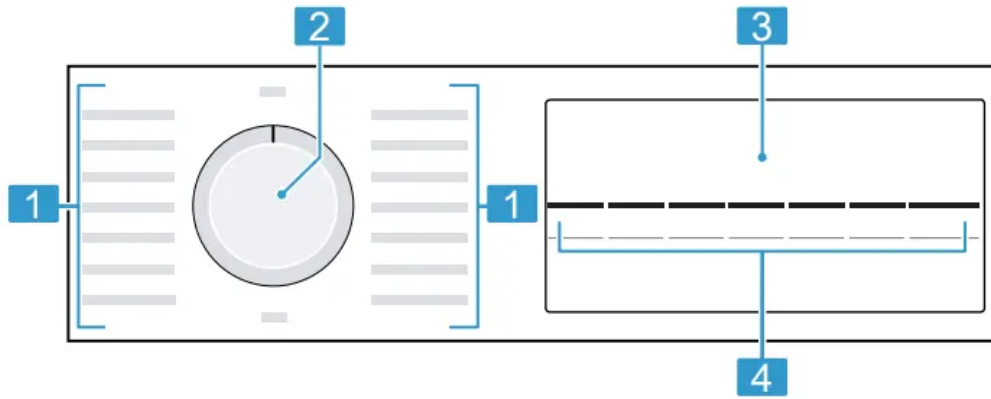
- Fabric softener
- Liquid starch
- Waterproofing agent

4. Compartment I:

- Detergent for prewash
- Hygiene detergent

Controls

You can use the control panel to configure all functions of your appliance and to obtain information about the operating status.



1	"Programmes" → Page 24
2	"Programme selector" → Page 34
3	"Display" → Page 21
4	"Buttons" → Page 23

Accessories

Use original accessories. These have been made especially for your appliance.

	Use	Order number
Water inlet hose extension	Extend the water inlet hose for cold water or AquaStop (approx. 2.50 m).	WMZ2381
Pedestal with drawer	Install the appliance at a raised height so that it can be easily loaded and unloaded. A laundry basket for transporting the laundry has been integrated into the drawer.	WMZ20490
Fixing brackets	Improves the stability of the appliance.	WMZ2200
Elbow	Secure the water outlet hose in place.	00655300
Liquid detergent insert	Measure liquid detergent.	00605740
Anschlussventil	Anschlussventil als Sicherheitsrichtung gegen Rückfließen von Wasser in das Leitungsnetz.	10015611

Before using for the first time

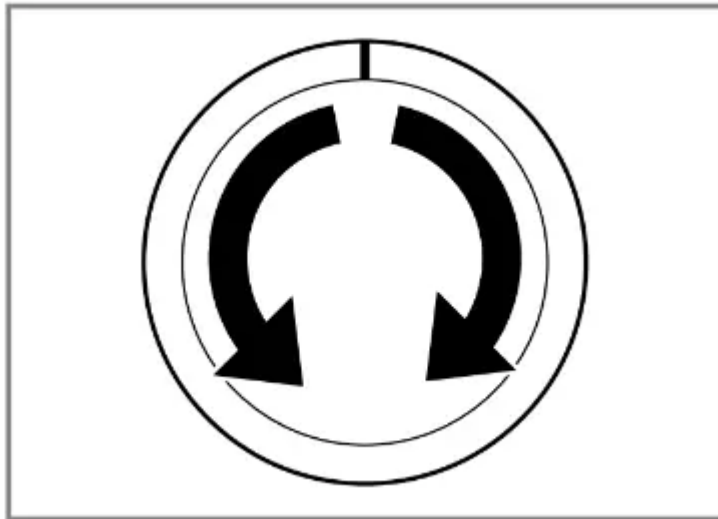
Prepare the appliance for use.

Starting an empty washing cycle

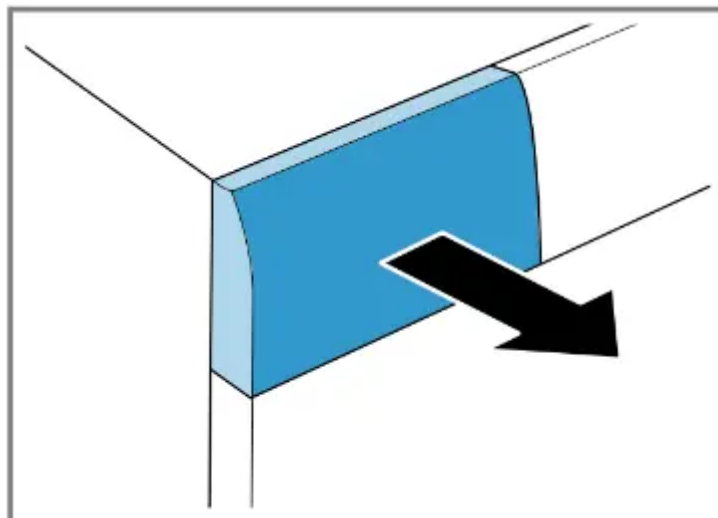
Your appliance was inspected thoroughly before leaving the factory. To remove any residual water, run the first wash cycle without any laundry.

Note: Please read the information in the "Safety" → Page 4 and "Preventing material damage" → Page 11 sections to ensure that you use the appliance safely.

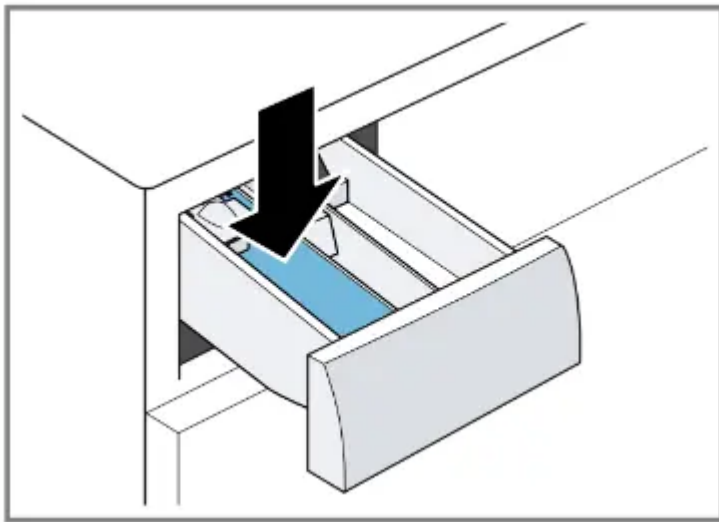
1. Turn the programme selector to Drum Clean.



2. Close the door.
3. Pull out the detergent drawer.

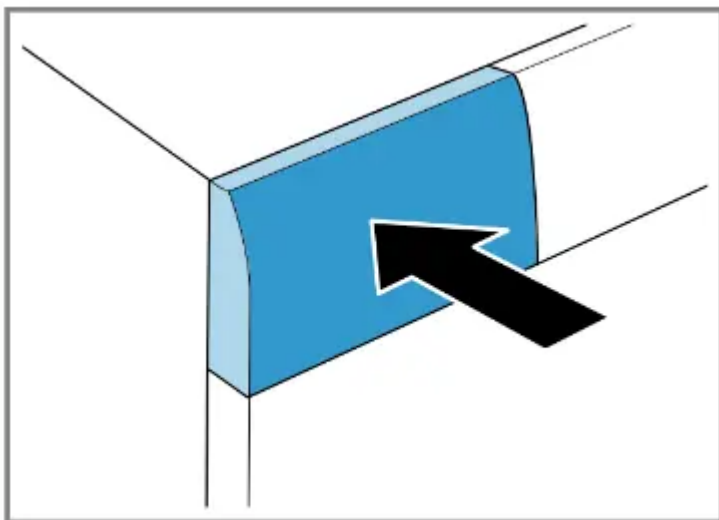


4. Pour washing powder into compartment II.



To prevent foaming, use only half of the amount of detergent recommended by the detergent manufacturer for light soiling. Do not use detergent suitable for woollens or delicates.

5. Push in the detergent drawer.



6. Press Start/Reload to start the programme.

- The display shows the remaining programme duration.
- After the programme has ended, the display shows: End.

7. Start the first wash cycle or set the programme selector to Off to switch off the appliance.

→ "Basic operation", Page 34

Laundry

You can wash all items that the manufacturer has marked as machine-washable on the care label and fabrics made from hand-washable wool using your appliance.

Preparing the laundry

ATTENTION!

Objects remaining in the laundry may damage the laundry and the drum.

- Remove all items from any pockets in your laundry before using the appliance.
- To protect your appliance and the laundry, prepare the laundry beforehand.
 - Empty all pockets
 - Brush sand out of all collars and pockets
 - Close bed covers and cushion covers
 - Close all zips, Velcro fasteners, hooks and eyes
 - Tie cloth belts and apron strings together or use a mesh laundry bag
 - Remove curtain hooks and lead strips or use a mesh laundry bag
 - Use a mesh laundry bag for small items of laundry such as children's socks
 - Separate items of laundry and shake them out
 - Wash large and small items of laundry together
 - Dab fresh stains with soapy water (do not rub them)
 - Some stubborn or dried-in stains can be removed by washing several times

Sorting laundry

Note: Please read the information in the "Safety" → Page 4 and "Preventing material damage" → Page 11 sections to ensure that you use the appliance safely.

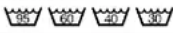




- To improve washing results and prevent discolouration, sort the laundry according to the following criteria before washing.
- Type of fabric and fibre type
- Whites
- Colours : Wash new coloured items separately the first time you wash them.
- "Soiling" → Page 32
- "Care symbols on the care labels" → Page 32

Degrees of soiling

Degree of soiling	Soiling	Examples
Light	<ul style="list-style-type: none"> No dirt or stains are visible Laundry has absorbed odours 	Light summer clothing or sports clothing that has been worn for a just a few hours
Normal	Dirt or light stains are visible	<ul style="list-style-type: none"> T-shirts, shirts or blouses are sweat-soaked or have been worn a few times Towels or bedding that has been used for up to one week
Heavy	Dirt or stains are clearly visible	Tea towels, baby items or work clothing

Care symbols on the care labels

The symbols indicate the recommended programme and the numbers in the symbols indicate the maximum recommended washing temperature.

Symbol	Washing process	Recommended programme
	Normal	Cottons
	Gentle	Easy Care
	Particularly gentle	Delicates/Silk for washing by hand
	Hand wash	Wool
	Not suitable for machine-washing	-

Detergents and care products

You can protect your appliance and your laundry by selecting and using the correct detergents and care products. You can use all detergents and care products which are suitable for domestic washing machines.

Note: Please read the information in the "Safety" → Page 4 and "Preventing material damage" → Page 11 sections to ensure that you use the appliance safely.

The manufacturer's instructions for use and dosage can be found on the packaging.

Notes

- only use liquid detergents that are self-flowing
- Do not mix different liquid detergents
- Do not mix detergent and fabric softener
- Do not use products that have expired or are highly congealed.
- Do not use products containing solvents, caustic agents or volatile substances (e.g. bleach)
- Use dyes sparingly as salt may damage stainless steel
- Do not use bleaching agents in the appliance

Detergent recommendation

Detergent	Laundry	Programme	Temperature
Standard detergent with optical brighteners	Heat-resistant white fabrics made from cotton or linen	Cotton	From cold up to 90 °C
Detergent for colours without bleach or optical brighteners	Coloured fabrics made from linen or cotton	Cotton	From cold up to 60 °C
Detergent for colours/delicates without optical brighteners	Coloured fabrics made from easy-care fabrics or synthetic materials	Easy Care	From cold up to 60 °C
Detergent for delicates	Delicate fine textiles, silk or viscose	Delicates/Silk	From cold up to 40 °C
Detergent for woollens	Wool	Wool	From cold up to 40 °C

Detergent dosage

Use the correct detergent dosage to achieve optimal washing results and save resources.

The detergent dosage depends on:

- The amount of laundry
- Degree of soiling
- Water hardness

You can find out how hard your water is from your local water company or measure it yourself using a water hardness tester.

Water hardness

Hardness range	Total hardness in mmol/l	German degrees in °dH
soft (I)	0-1.5	0-8.4
medium (II)	1.5- 2.5	8.4-14
hard (III)	over 2.5	over 14

Example of a manufacturer's instructions for detergent

These example values refer to a standard load of 4–5 kg.

Soiling	Light	Normal	Heavy
Water hardness: Soft/medium	40 ml	55 ml	80 ml
Water hardness: Hard/very hard	55 ml	80 ml	105 ml

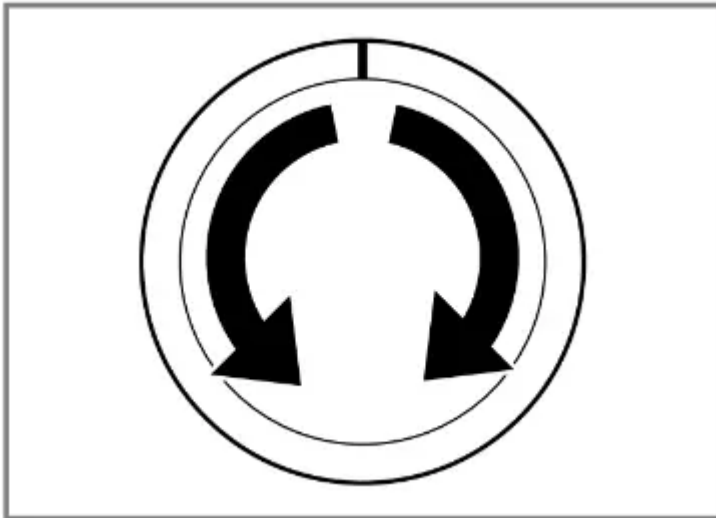
The dosages can be found on the manufacturer's packaging.

- Adjust the dosage to the actual load.

Basic operation

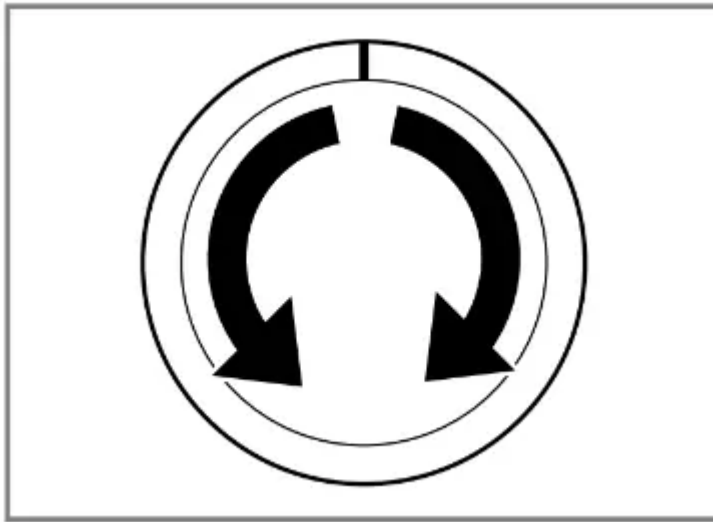
Switching on the appliance

- Turn the programme selector to a programme.



Setting a programme

1. Set the programme selector to the required "programme" → Page 24.



2. If necessary, "adjust the programme settings" → Page 35.

Adjusting the programme settings

Depending on the programme and programme progress, you can adjust or activate/deactivate the settings.

Note: Overview of all programme settings: → "Buttons", Page 23

Requirement: A programme has been set.

- Adjust the programme settings. The programme settings are not saved permanently for the programme.

Loading laundry

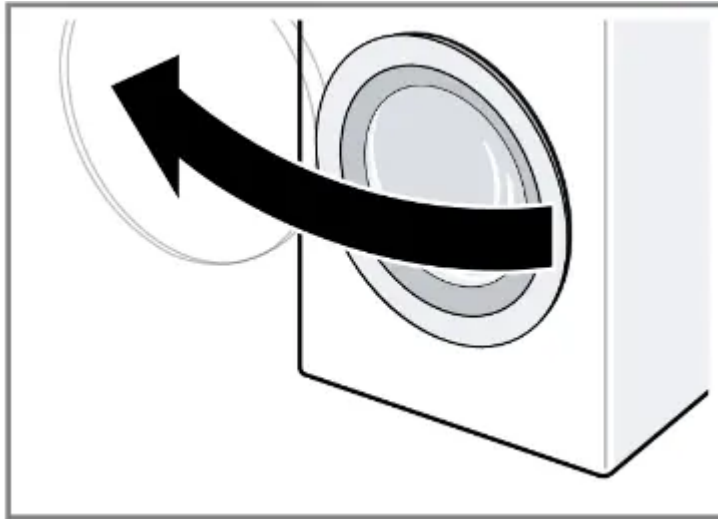
Notes

- Please read the information in the "Safety" → Page 4 and "Preventing material damage" → Page 11 sections to ensure that you use the appliance safely.
- To prevent creasing, take note of the maximum load for the relevant programme" → Page 24.

Requirement: Prepare and sort the laundry.

→ "Laundry", Page 31

1. Open the door.

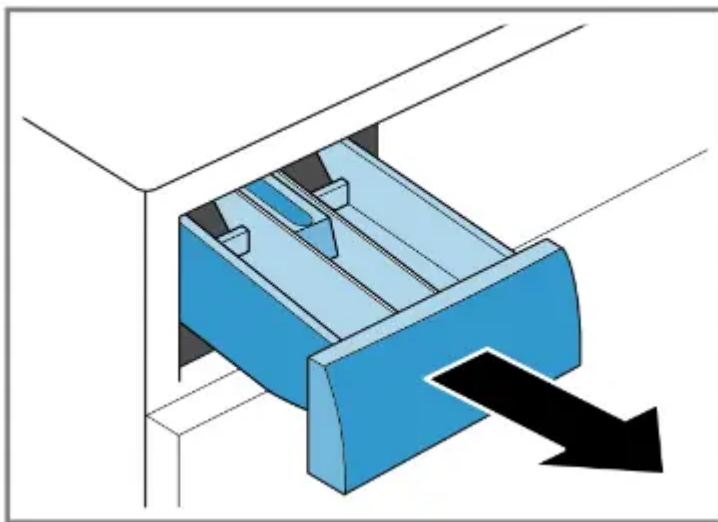


2. Ensure that the drum is empty.
 3. Separate the laundry and place it in the drum.
 4. **Note:** Ensure that there is no laundry trapped in the door.
- Close the door.

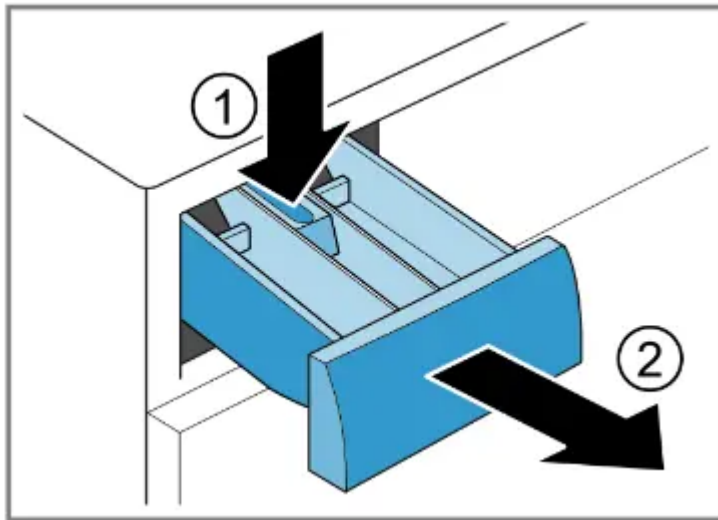
Using a measuring aid for liquid detergent

If you order the measuring aid as an accessory, you must use the measuring aid.

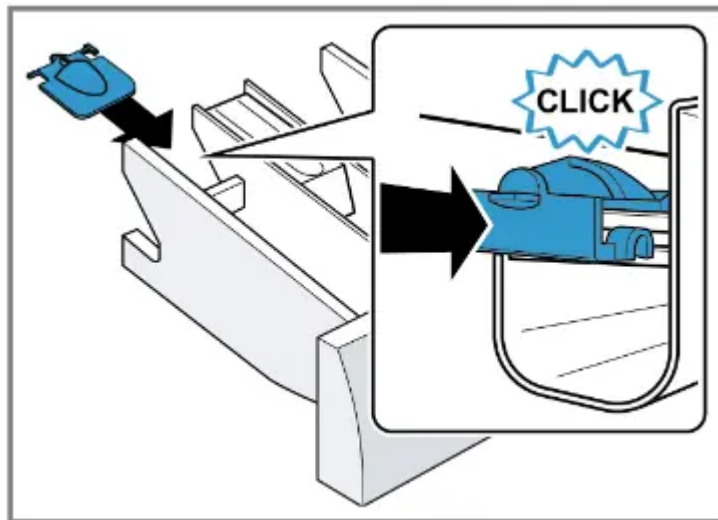
1. Pull out the detergent drawer.



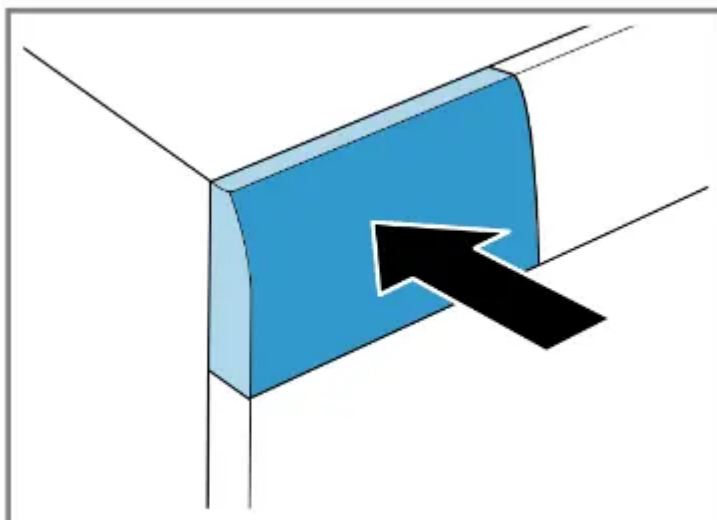
2. Press down on the insert and remove the detergent drawer.



3. Insert the measuring aid.



4. Insert the detergent drawer.

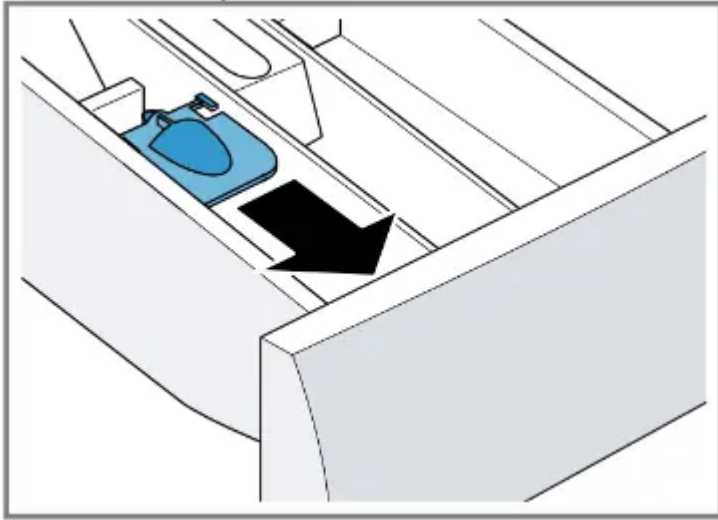


Use the measuring aid for li- quid detergent

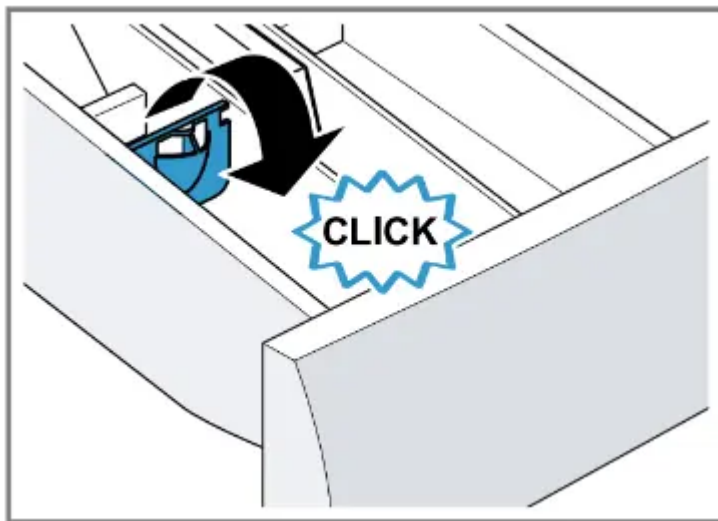


To add liquid detergent, you can use a measuring aid in the detergent drawer.

1. Pull out the detergent drawer.
2. Slide the measuring aid forwards.



3. Fold the measuring aid down and click it into place.



4. Push in the detergent drawer.

Adding detergent and care product

Notes

- Please read the information in the "Safety" → Page 4 and "Preventing material damage" → Page 11 sections to ensure that you use the appliance safely.
- Do not use the measuring aid for liquid detergent for gel detergents, washing powder, or if Prewash or "Ready in" time are activated.

Requirement: Find out the optimum dosage for "detergent and care product." → Page 33

1. Pull out the detergent drawer.
2. Pour in detergent. → "Detergent drawer", Page 20
3. If required, add the care product.
4. Push in the detergent drawer.

Starting the programme

Note: If you want to change the time until the programme ends, set the "Ready in" time first.

- Press Start/Reload.
 - The drum rotates and load detection takes place. This can take up to 2 minutes, after which water enters the drum.
 - The display shows either the programme duration or the "Ready in" time.
 - After the programme has ended, the display shows: End.

Adjusting the "Ready in" time before the programme starts

You can readjust the selected "Ready in" time before the programme starts.

1. Press Start/Reload.
2. Press Finish in repeatedly until the display indicates the desired "Ready in" time.
3. Press Start/Reload.

Adding laundry

Note: Please read the information in the "Safety" → Page 4 and "Preventing material damage" → Page 11 sections to ensure that you use the appliance safely.

1. Press Start/Reload.

The appliance is paused and checks whether it is possible to add or remove laundry. Take note of the programme status.

2. Add or remove laundry.
3. Close the door.
4. Press Start/Reload.

Cancelling the programme

Once the programme has started, you can cancel it at any time.

Note: Please read the information in the "Safety" → Page 4 and "Preventing material damage" → Page 11 sections to ensure that you use the appliance safely.

1. Press Start/Reload.
2. Open the door.

The appliance door remains locked for safety reasons if the temperature and water levels are high.

- If the temperature is high, start the Rinse programme.
- If the water level is high: Start the Spin or Drain programme.

3. Remove the laundry.

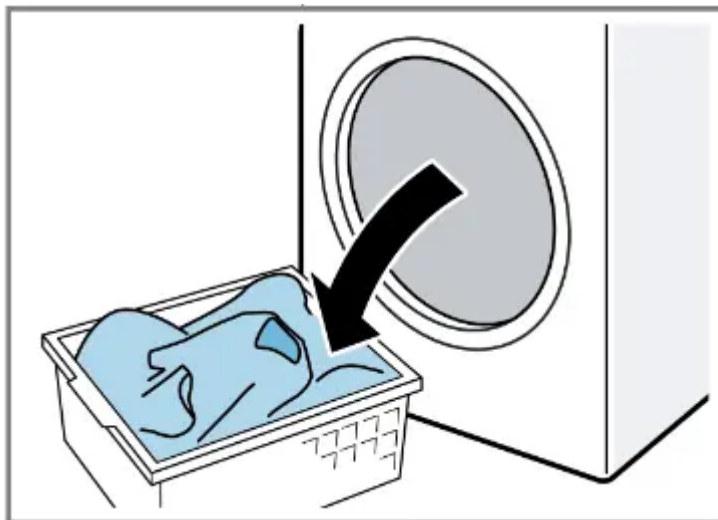
Resuming the programme when the programme status is Rinse Hold

1. Set the Spin or Drain programme.
2. Press Start/Reload.

Unloading the laundry

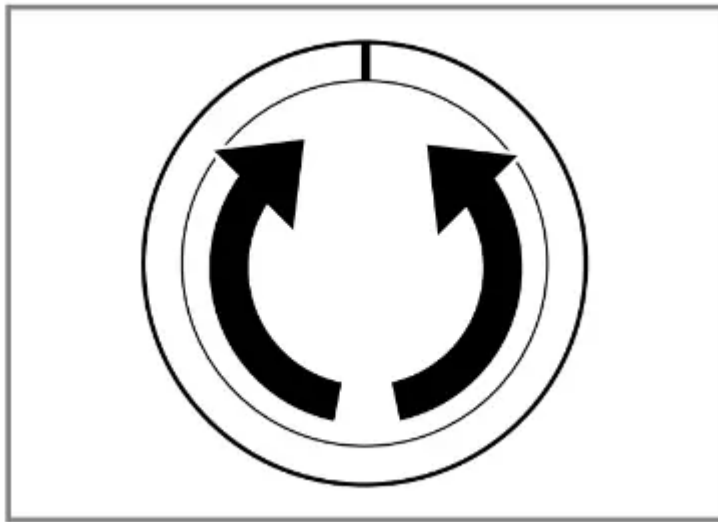
Note: Please read the information in the "Safety" → Page 4 and "Preventing material damage" → Page 11 sections to ensure that you use the appliance safely.

1. Open the door.
2. Remove the laundry.

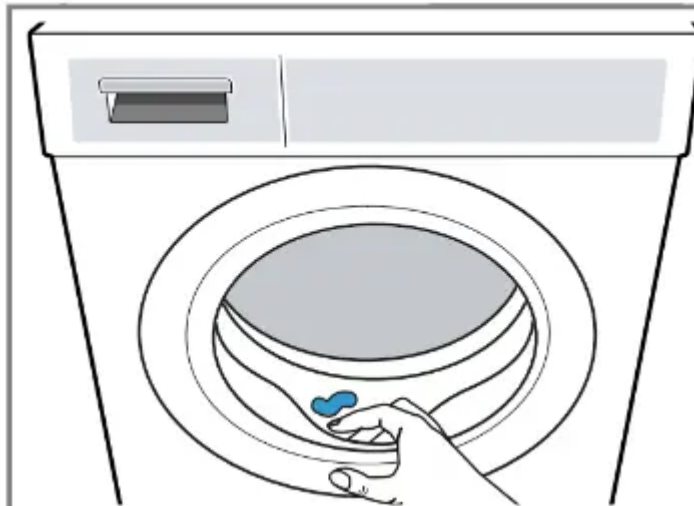


Switching off the appliance

1. Turn the programme selector to Off.



2. Turn off the tap.
3. Wipe the rubber gasket dry and re- move any foreign objects.





4. Leave the door and detergent drawer open so that residual water can evaporate.

Childproof lock



Secure your appliance against being operated unintentionally using the controls.

Activating the childproof lock

- Press and hold the two  3 sec. buttons for approx. 3 seconds.
 - The display shows .
 - The controls are locked.
 - The childproof lock remains active even after the appliance has been switched off.

Deactivating the childproof lock

Requirement: To deactivate the childproof lock, the appliance must be switched on.

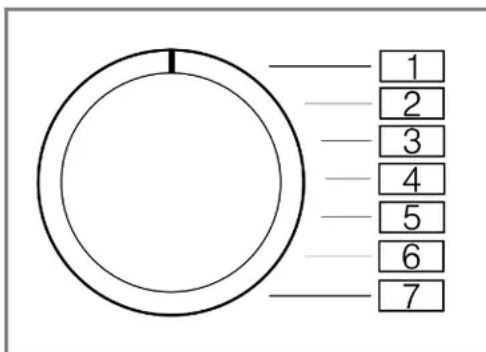
- Press and hold the two  3 sec. buttons for approx. 3 seconds.
-  goes out in the display.

Basic settings

You can configure the appliance to meet your needs.

Overview of the basic settings

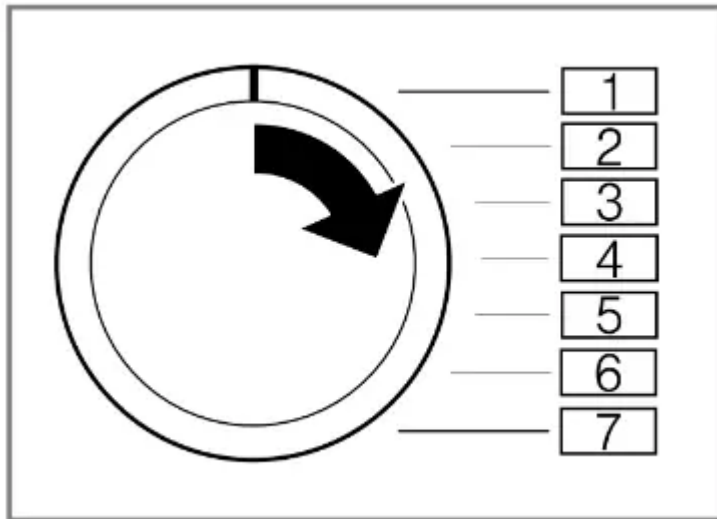
Below is an overview of the basic settings on your appliance.



Basic setting	Programme position	Value	Description
End signal	2	0 (off) 1 (quiet) 2 (medium) 3 (loud) 4 (very loud)	Set the volume of the signal at the end of the programme.
Button signal	3	0 (off) 1 (quiet) 2 (medium) 3 (loud) 4 (very loud)	The volume of the audible signal emitted when the buttons are pressed.

Changing the basic settings

1. Set the programme selector to position 1.



2. Press Spin Speed and, at the same time, turn the programme selector to position 2.
 - The display shows the current value.
3. Set the programme selector to the required position.
4. To change the value, press Finish in.
5. To save the changes, switch off the appliance.

Cleaning and servicing

To keep your appliance working efficiently for a long time, it is important to clean and maintain it carefully.

Tips on appliance care

Follow the tips for appliance care to ensure your appliance works correctly in the long term.

Wipe down the housing and the control panel with nothing but water and a damp cloth.	The appliance parts remain clean and hygienic.
Remove all detergent residue, spray residue or other residues immediately.	Fresh deposits are easier to remove without leaving any residue.
Keep the appliance door and detergent drawer open after use.	This allows the residual water to dry, reducing odours in the appliance.

Cleaning the drum

If you often wash at a washing temperature of 40 °C and lower or the appliance has not been used for a long period, clean the drum.

CAUTION

Risk of injury!

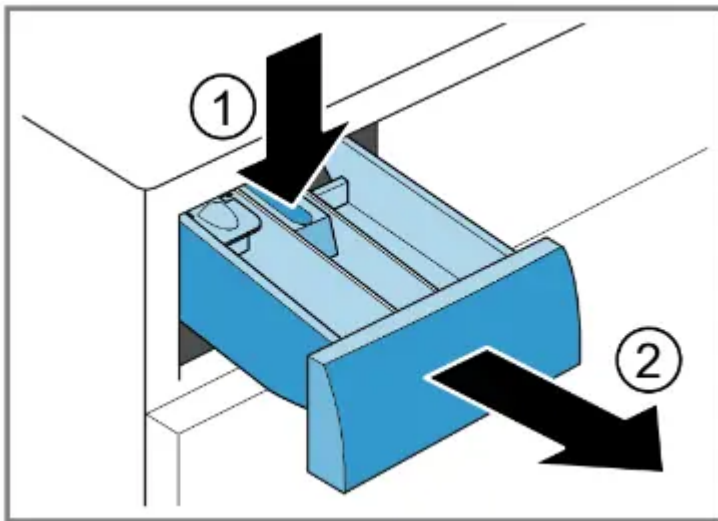
Permanently washing at low temperatures and a lack of ventilation for the appliance may damage the drum and cause injury.

- Regularly run a programme for cleaning the drum or wash at temperatures of at least 60 °C.
- Leave the appliance to dry after every operation with the door open, and leave the detergent drawer to dry.
- Run the Drum Clean programme without laundry. Add washing powder.

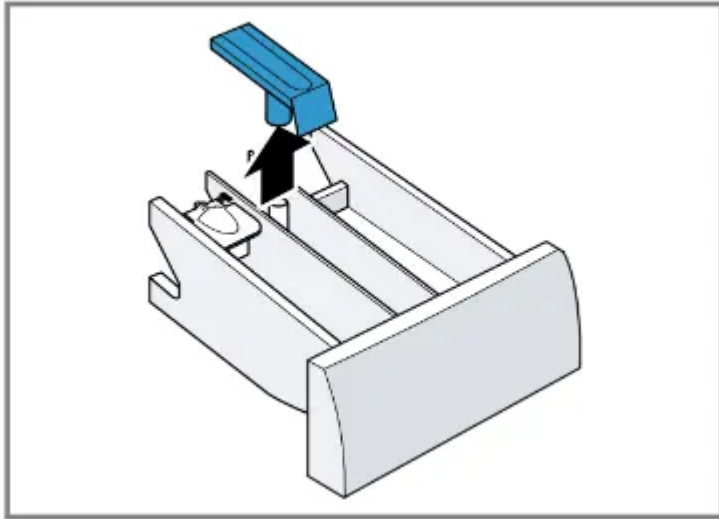
Cleaning the detergent drawer

Note: Please read the information in the "Safety" → Page 4 and "Preventing material damage" → Page 11 sections to ensure that you use the appliance safely.

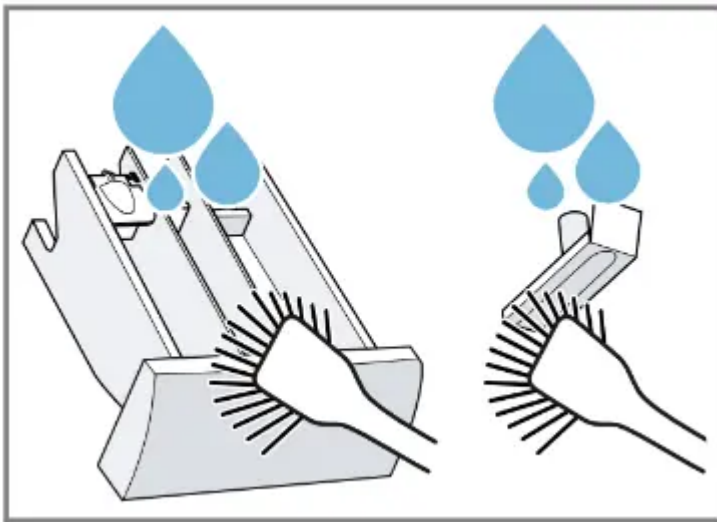
1. Pull out the detergent drawer.
2. Press down on the insert and remove the detergent drawer.



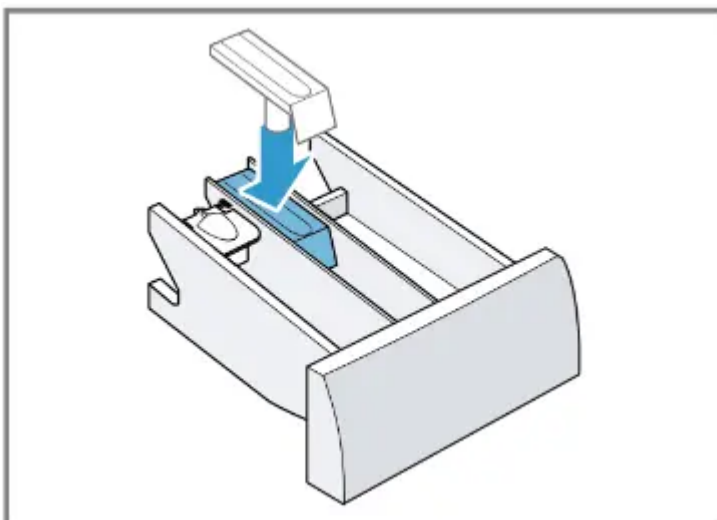
3. Press out the insert upwards from below.



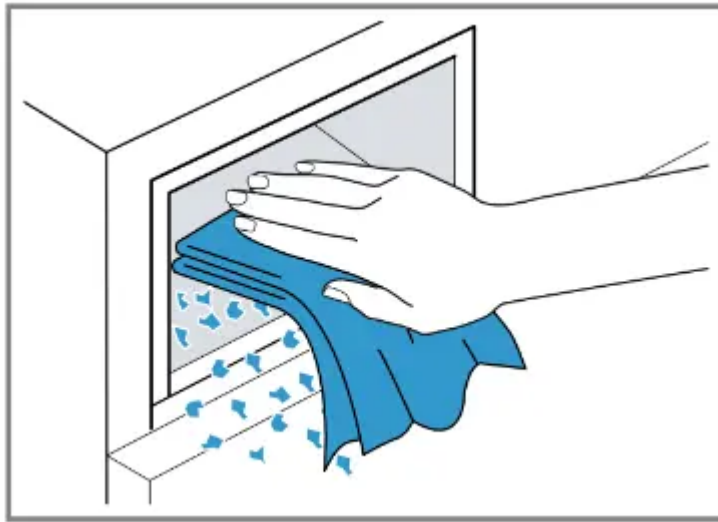
4. Clean the detergent drawer and insert with water and a brush, and then dry them.



5. Fit the insert and lock it into place.



6. Cleaning the opening for the detergent drawer.



7. Push in the detergent drawer.

Descaling

If you add detergent correctly, you do not need to descale your appliance.

If you still wish to use descaler, follow the manufacturer's instructions for use.

ATTENTION!

The use of unsuitable descaling agents, e.g. for coffee machines, may damage the appliance.

- For this appliance, only use de-scaling agents that are available from the manufacturer's website or our after-sales service.

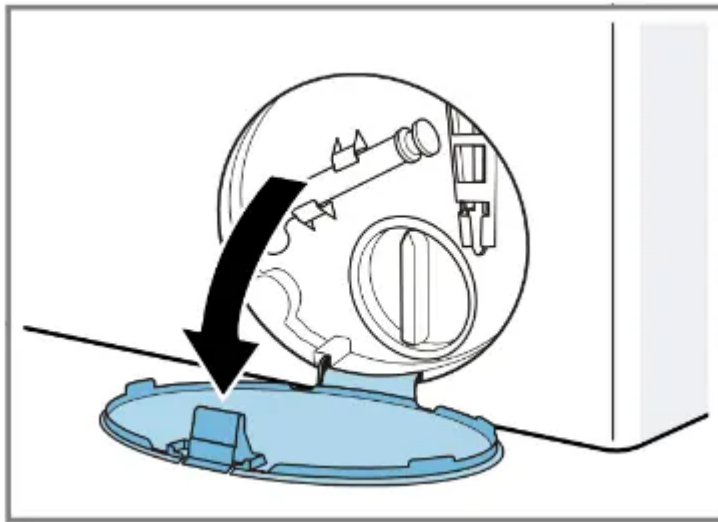
Cleaning the drain pump

Clean the drain pump in the event of faults, e.g. blockages or rattling noises.

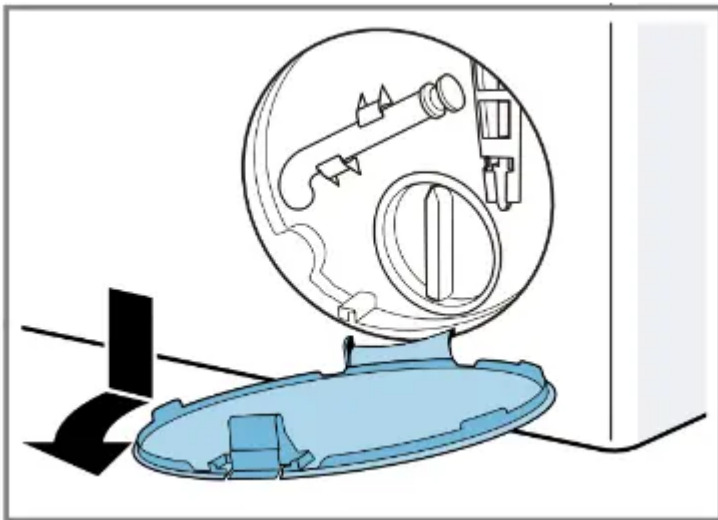
Emptying the drain pump

Note: Please read the information in the "Safety" → Page 4 and "Preventing material damage" → Page 11 sections to ensure that you use the appliance safely.

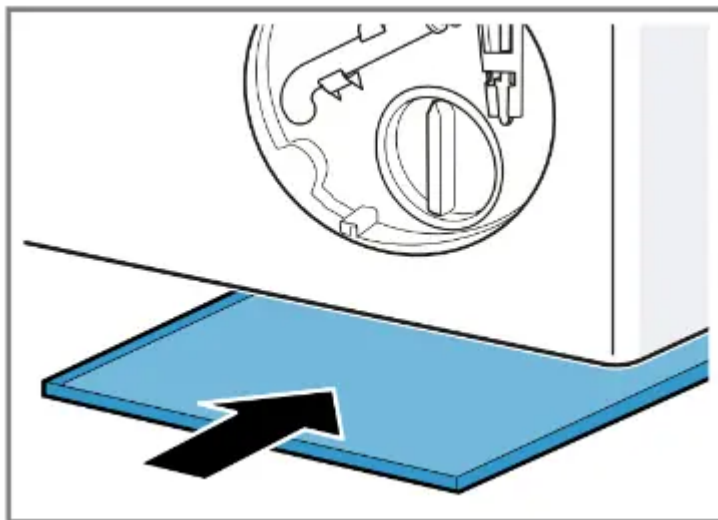
1. Turn off the water tap.
2. Switch off the appliance.
3. Disconnect the appliance's mains plug from the power supply.
4. Open the maintenance flap.



5. Remove the maintenance flap.



6. Slide a sufficiently large receptacle under the opening.



7. Take the drain hose out of the holder.

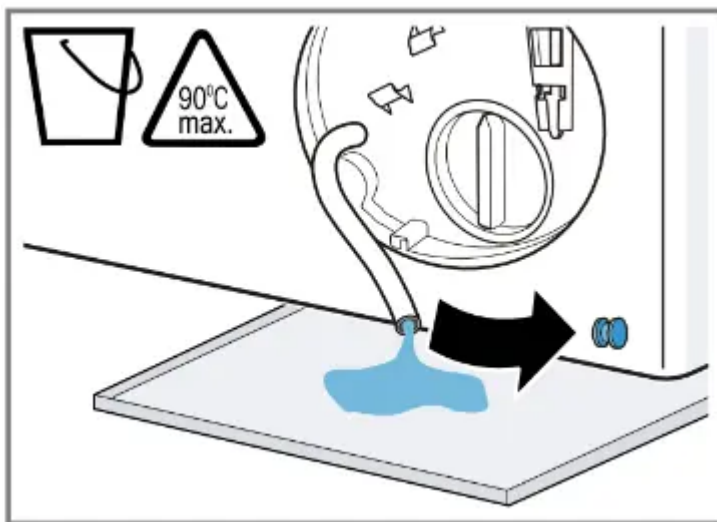


9. CAUTION - Risk of scalding!

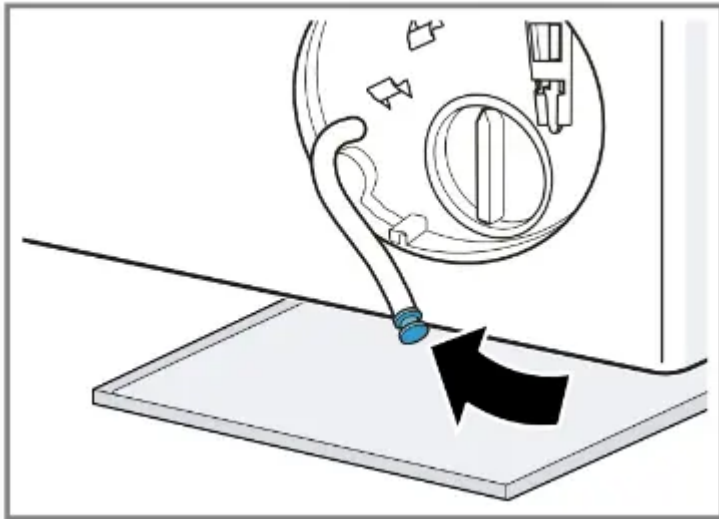
When you wash at high temperatures, the detergent solution gets hot.

- Do not touch the hot detergent solution.

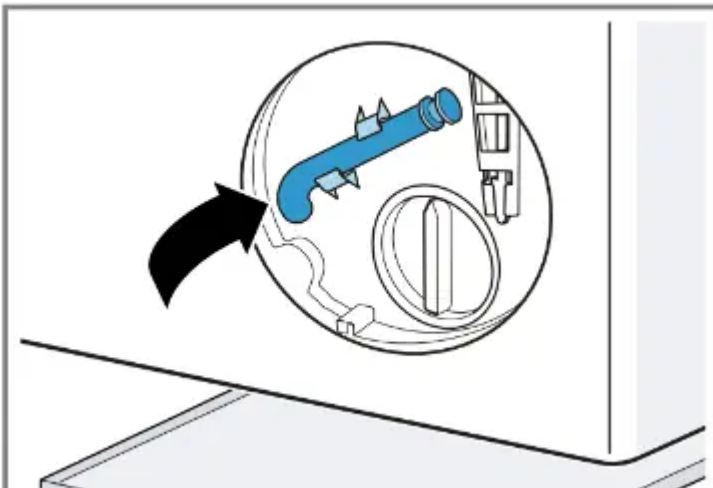
To allow the detergent solution to flow out into the container, remove the sealing cap.



9. Firmly press on the sealing cap.



10. Insert the drain hose into the holder.

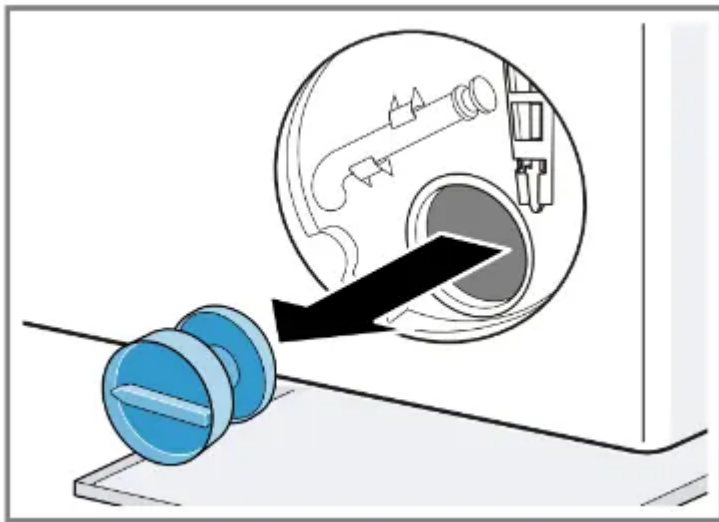


Cleaning the drain pump

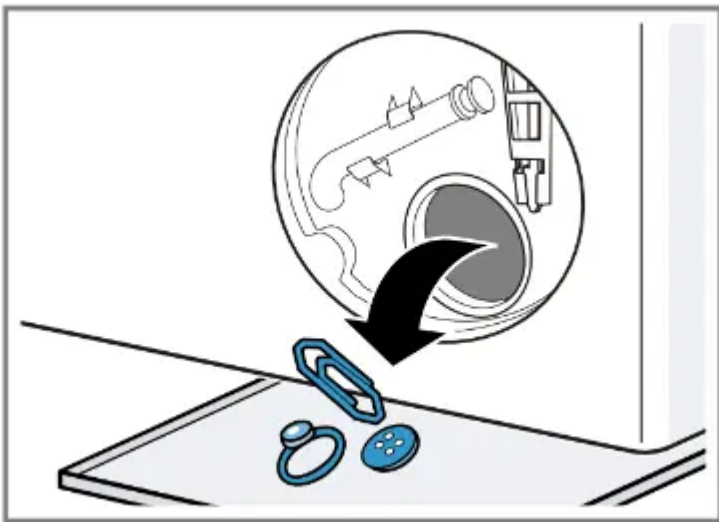
Note: Please read the information in the "Safety" → Page 4 and "Preventing material damage" → Page 11 sections to ensure that you use the appliance safely.

Requirement: "The drain pump is empty." → Page 42

1. Since water may remain in the drain pump, remove the pump cap carefully.

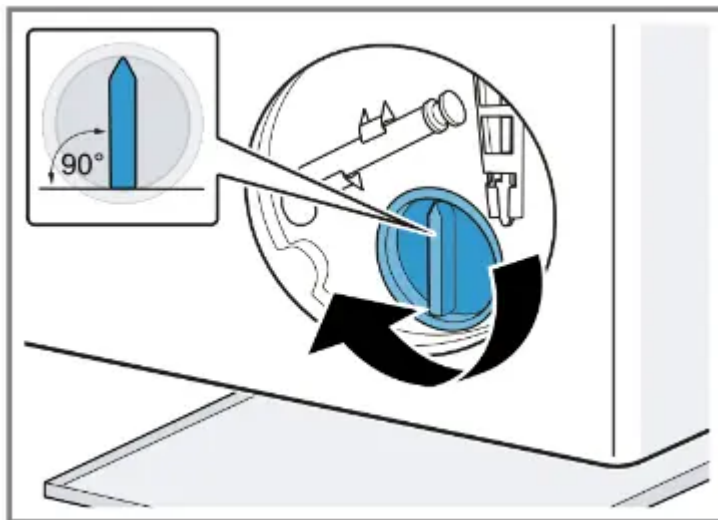


2. Clean the interior, the thread on the pump cap and the pump housing.



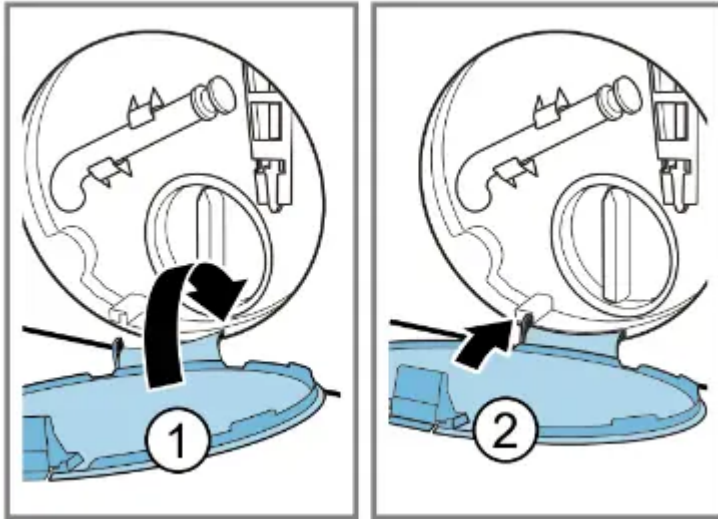
3. Make sure that the impeller in the drain pump can be rotated.

4. Insert the pump cap and screw it on as far as it will go.



The handle on the pump cap must be in a vertical position.

5. Insert the maintenance flap and lock it into place.

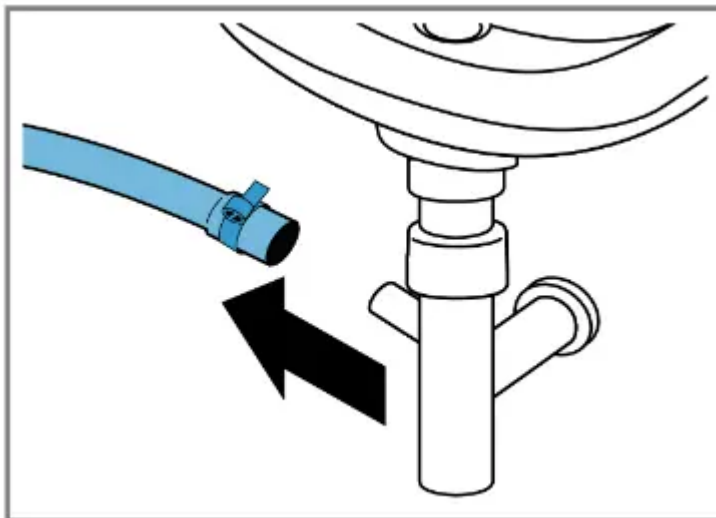


6. Close the maintenance flap.

Cleaning the water outlet hose at the siphon

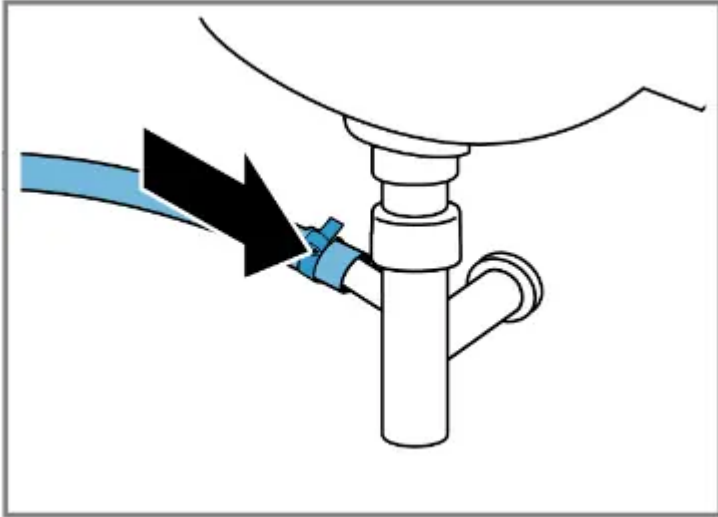
If the water outlet hose at the siphon is dirty or the detergent solution is not being pumped out, you must clean these.

1. Switch off the appliance.
2. Disconnect the appliance's mains plug from the power supply.
3. Loosen the hose clamp and carefully remove the water outlet hose.



Residual water may leak out.

4. Clean the water outlet hose and siphon connecting piece.



5. Reattach the water outlet hose and secure the connection point using the hose clamp.

Clean the water inlet filters.

Clean the filter in the water inlet in the event of blockages or if the water pressure is too low.

Emptying the water inlet hose

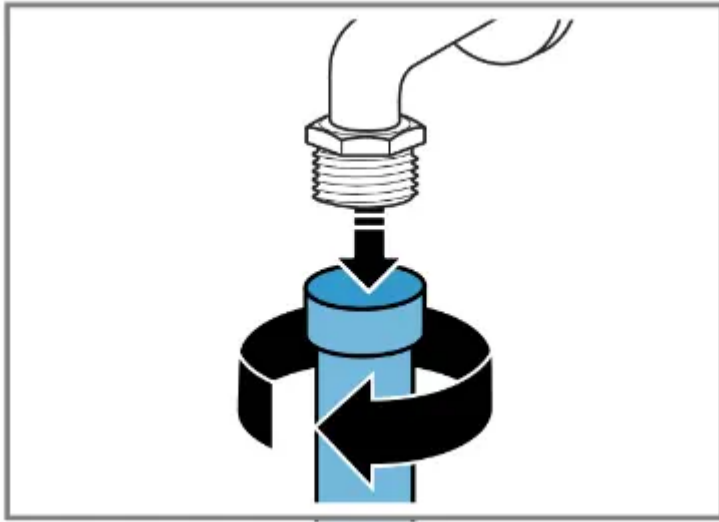
1. Turn off the tap.
2. Set a programme, except for Rinse, Spin or Drain.
3. Start the programme and leave it to run for approx. 40 seconds.
4. Switch off the appliance.
5. Disconnect the appliance's mains plug from the power supply.

Cleaning the filter on the tap

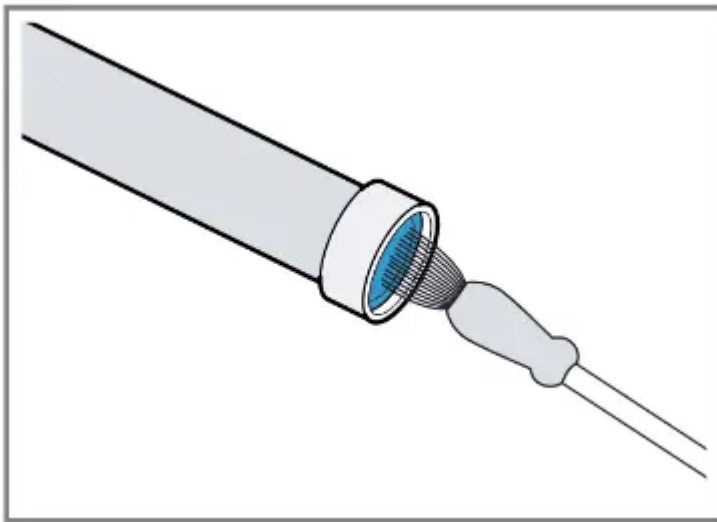
Note: Please read the information in the "Safety" → Page 4 and "Preventing material damage" → Page 11 sections to ensure that you use the appliance safely.

Requirement: The water inlet hose is empty.

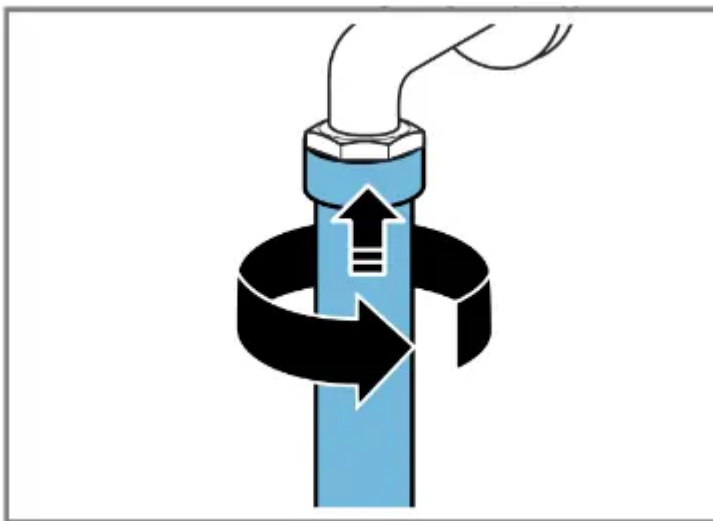
1. Remove the water inlet hose from the tap.



2. Clean the filter with a small brush.



3. Connect the water inlet hose and check for leaks.

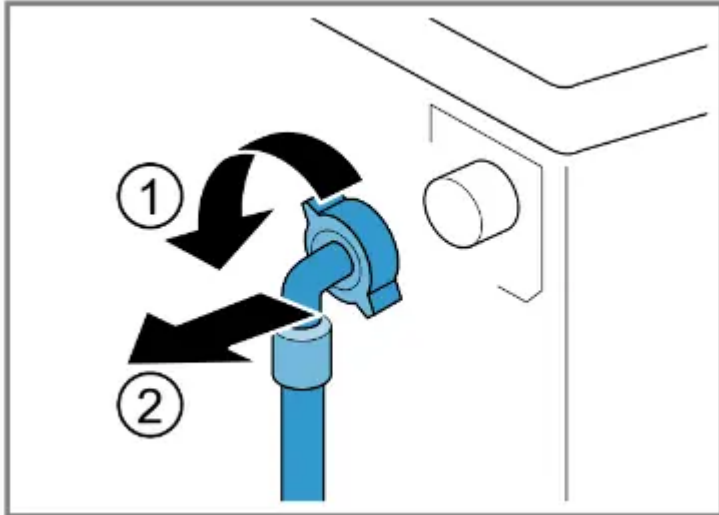


Cleaning the filter on the appliance

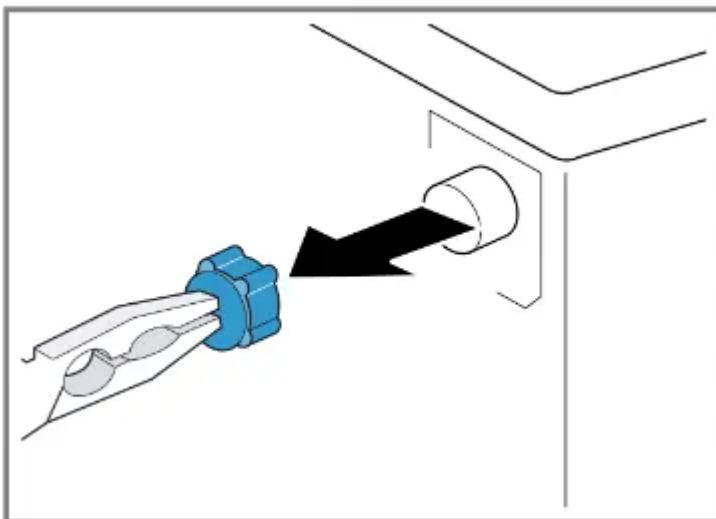
Note: Please read the information in the "Safety" → Page 4 and "Preventing material damage" → Page 11 sections to ensure that you use the appliance safely.

Requirement: The water inlet hose is empty. → "Emptying the water inlet hose", → Page 45

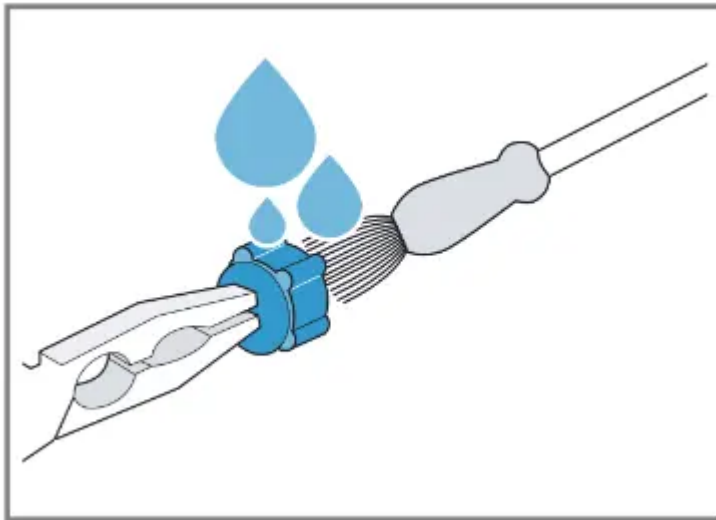
1. Disconnect the hose from the rear of the appliance.



2. Use pliers to remove the filter.

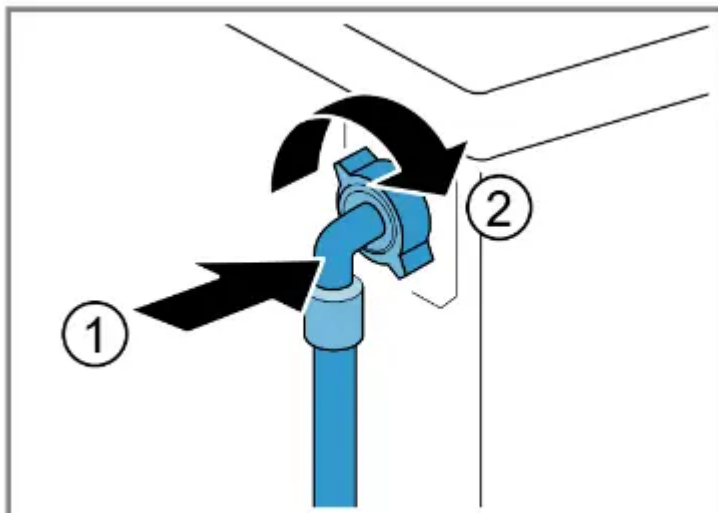


3. Clean the filter with a small brush.



4. Reinsert the filter.

5. Connect the hose and check for leaks.



Troubleshooting

You can rectify minor faults on your appliance yourself. Read the troubleshooting information before contacting after-sales service. This will avoid unnecessary costs.

WARNING



Risk of electric shock!


Incorrect repairs are dangerous.

- Repairs to the appliance should only be carried out by trained specialist staff.
- Only use genuine spare parts when repairing the appliance.
- If the power cord of this appliance is damaged, it must be replaced by the manufacturer, the manufacturer's Customer Service or a similarly qualified person in order to prevent any risk.

Malfunctions

Fault	Cause	Troubleshooting
The display goes out and Start/Reload flashes.	Energy-saving mode is active	Press any button. The symbol lights up again.
"E:36 / -10"	Drain pipe or water outlet hose is blocked.	Clean the drain pipe and the water outlet hose.
	Drain pipe or water drain hose is caught or jammed.	Ensure that the drain pipe and water drain hose are not kinked or trapped.
	Drain pump is blocked.	→ "Cleaning the drain pump", Page 42
	The water outlet hose is connected too high.	Install the water outlet hose at a maximum height of 1 metre.
	Detergent dosage is too high.	<ul style="list-style-type: none"> • Immediate measure: Mix one table- spoon of fabric softener with 0.5 litres of water and pour the mixture into the left-hand compartment (not for outdoor clothing, sportswear or items stuffed with down). • Reduce the amount of detergent for the next washing cycle with the same load.
	Unapproved extension installed on the water drain hose.	Remove any unapproved exten-

		sions from the water hose. Connect- ing the appliance
"E:36 / -25 / -26"	Drain pump is blocked.	→ "Cleaning the drain pump", Page 42
	The water pressure is low.	No remedial action possible.
	The filters in the water inflow are blocked.	"Clean the filters in the water in- flow" → Page 45.
	The tap is turned off.	Turn on the tap.
	The water inlet hose is kinked or jammed.	Ensure that the water inlet hose is not kinked or jammed.
• flashes.	The automatic voltage control system detects an unauthorised voltage under-usage.	No remedial action possible. Note: If the power supply is stable, the programme continues to run as normal.
	Voltage under-usage may cause extension of a programme.	No remedial action possible.
• flashes.	Voltage under-usage may cause extension of a programme.	No remedial action possible.
 lights up.	The temperature is too high.	Wait until the temperature has dropped. → "Cancelling the programme", Page 37
	Water level is too high.	Start the Drain programme.
	Laundry is caught in the door.	1. Open the door again. 2. Remove any trapped laundry. 3. Close the door.

		4. Press Start/Reload to start the pro- gramme.
 flashes.	Door is not closed.	1. Close the door. 2. Press Start/Reload to start the pro-gramme.
All other error codes.	Malfunction	Call the after-sales service. → "Customer Service", Page 57
The appliance is not working.	The mains plug of the power cord is not plugged in.	Connect the appliance to the power supply.
	The circuit breaker is faulty.	Check the circuit breaker in the fuse box.
The appliance is not working.	There has been a power cut.	Check whether the lighting in your kitchen or other appliances are working.
The programme does not start.	You have not pressed Start/Reload.	Press Start/Reload.
	Door is not closed.	1. Close the door. 2. Press Start/Reload to start the pro- gramme.
	Childproof lock is activated.	Check whether Finish in is activated. → "Buttons", Page 23
	Laundry is caught in the door.	1. Open the door again. 2. Remove any trapped laundry. 3. Close the door.

		4. Press Start/Reload to start the programme.
The door cannot be opened.	— is activated.	Continue the programme by selecting Spin or Drain and pressing Start/Reload. → "Resuming the programme when the programme status is Rinse Hold", Page 37
	The temperature is too high.	Wait until the temperature has dropped. → "Cancelling the programme", Page 37
	Water level is too high.	Start the Drain programme.
	Power failure.	Open the door using the emergency release. → "Emergency release", Page 55
The water is not draining.	Drain pipe or water outlet hose is blocked.	Clean the drain pipe and the water outlet hose.
	Drain pipe or water drain hose is caught or jammed.	Ensure that the drain pipe and water drain hose are not kinked or trapped.
	Drain pump is blocked.	→ "Cleaning the drain pump", Page 42
The water is not draining.	— is activated.	Continue the programme by selecting Spin or Drain and pressing Start/Reload. → "Resuming the programme when the programme status is Rinse Hold", Page 37
	The water outlet hose is connected too high.	

		Install the water outlet hose at a maximum height of 1 metre.
	Detergent dosage is too high.	<p>Immediate measure: Mix one table-spoon of fabric softener with 0.5 litres of water and pour the mixture into the left-hand compartment (not for outdoor clothing, sportswear or items stuffed with down).</p> <p>Reduce the amount of detergent for the next washing cycle with the same load.</p>
	Unapproved extension installed on the water drain hose.	Remove any unapproved extensions from the water hose. Connecting the appliance
Water is not flowing in. Detergent is not being dispensed.	You have not pressed Start/Reload.	Press Start/Reload.
	The filters in the water inflow are blocked.	"Clean the filters in the water inflow" → Page 45.
	The tap is turned off.	Turn on the tap.
	The water inlet hose is kinked or jammed.	Ensure that the water inlet hose is not kinked or jammed.
The spin cycle runs several times.	The unbalanced load detection system eliminates an imbalance by repeatedly redistributing the laundry.	<p>Not a fault – no action required.</p> <p>Note: When loading, where possible, place large and small items of laundry together in the drum.</p> <p>Different sized items of laundry distribute</p>

		themselves better during the spin cycle.
The programme duration changes during the wash cycle.	The programme operation is optimised electronically. This may change the programme duration.	Not a fault – no action required.
	The unbalanced load detection system eliminates an imbalance by repeatedly redistributing the laundry.	Not a fault – no action required.
The programme duration changes during the wash cycle.		Note: When loading, where possible, place large and small items of laundry together in the drum. Different sized items of laundry distribute themselves better during the spin cycle.
	Foam detection system switches on a rinse cycle if foam build-up is too high.	Not a fault – no action required.
No water is visible in the drum.	Water is below the visible area.	Not a fault – no action required. Do not add any extra water to the appliance while it is operating.
Drum jerks after the programme starts.	This is caused by an internal motor test.	Not a fault – no action required.
Residual water is present in the compartment  .	Insert in compartment is  blocked.	→ "Cleaning the detergent drawer", Page 40
Vibrations and movement of the appliance whilst spinning.	Appliance is not correctly aligned.	Aligning the appliance
	The appliance feet are not fixed.	Secure the appliance feet. Aligning the appliance

	Transit bolts have not been removed.	Removing the transit bolts
Drum does not turn, water does not flow in.	Load detection is active.	Not a fault – no action required. Note: The load detection can take up to two minutes.
Heavy foam build-up High spin speed not reached.	Detergent dosage is too high.	Immediate measure: Mix one table spoon of fabric softener with 0.5 litres of water and pour the mixture into the left-hand compartment (not for outdoor clothing, sportswear or items stuffed with down). Reduce the amount of detergent for the next washing cycle with the same load.
	A low spin speed is selected.	The next time you run a wash cycle, set a higher spin speed.
	Reduced Ironing is activated.	Select the programmes that are suitable for the type of fabric. → "Programmes", Page 24
	Drain pipe or water outlet hose is blocked.	Clean the drain pipe and the water outlet hose.
	Drain pipe or water drain hose is caught or jammed.	Ensure that the drain pipe and water drain hose are not kinked or trapped.
	The unbalanced load detection system has interrupted the spin cycle because the laundry is unevenly distributed.	Redistribute the laundry in the drum. Note: Where possible, mix large and small items in the

		<p>drum. Different sized items of laundry distribute themselves better during the spin cycle.</p> <p>Start the Spin programme.</p>
	<p>Unbalance load detection system is using a reduced spin speed to eliminate an unbalance.</p>	<p>Redistribute the laundry in the drum.</p> <p>Note: Where possible, mix large and small items in the drum. Different sized items of laundry distribute themselves better during the spin cycle.</p> <p>Start the Spin programme.</p>
<p>Detergent residue on the damp washing.</p>	<p>Detergents may contain water-insoluble substances that deposit on the laundry.</p>	<p>Start the Rinse programme.</p>
<p>Detergent residue on the dry laundry.</p>	<p>Detergents may contain water insoluble substances that deposit on the laundry.</p>	<p>Brush out the laundry after washing and drying.</p>
<p>Water is leaking out at the water inlet hose.</p>	<p>Water inlet hose is not correctly/securely connected.</p>	<ol style="list-style-type: none"> 1. Connect the water supply hose correctly. Connecting the water inlet hose 2. Tighten the screw connection.
<p>Water is leaking out at the water outlet hose.</p>	<p>The water outlet hose is damaged.</p>	<p>Replace the damaged water outlet hose.</p>
	<p>Water outlet hose is not connected correctly.</p>	<p>Connect the water outlet hose correctly. Water outlet connection types</p>
<p>Odours have formed in the appliance.</p>	<p>Humidity and detergent residue may promote the formation of bacteria.</p>	<p>→ "Cleaning the drum", Page 40</p> <p>If you are not using the appliance,</p>

leave the door and detergent drawer open so that residual water can evaporate.

Emergency release

To remove the laundry in the event of a power failure, for example, you can manually release the door.

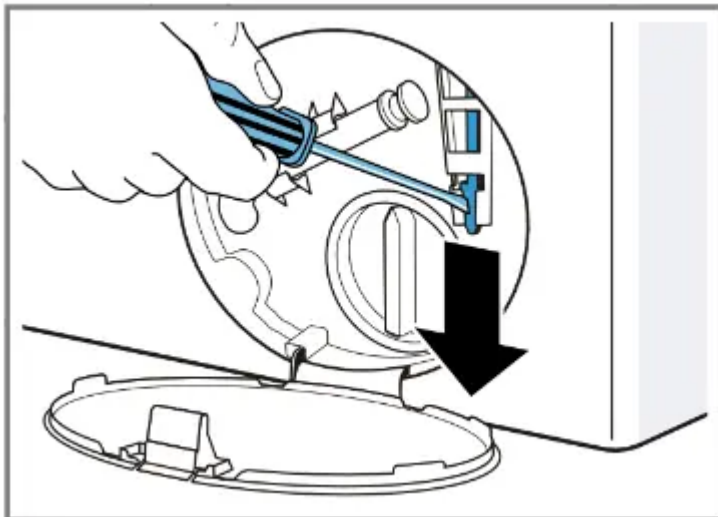
Releasing the door

Requirement: "The drain pump is empty." → Page 42

1. **ATTENTION!** Escaping water may cause material damage.

- Do not open the door if you can see water through the glass.

Pull the emergency release down-wards with a tool and release.



- The door lock is released.
2. Insert the maintenance flap and lock it into place.
 3. Close the maintenance flap.

Transportation, storage and disposal

You can find out here how to prepare your appliance for transportation and storage. You will also find out how to dispose of old appliances.

Removing the appliance

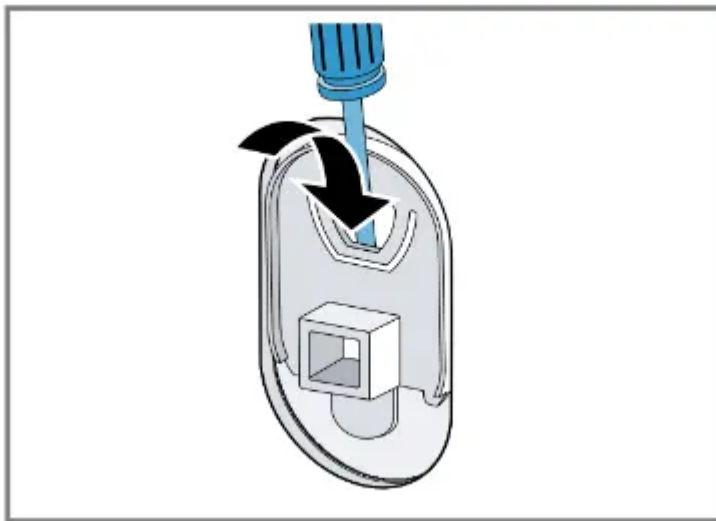
1. Turn off the tap.
2. → "Emptying the water inlet hose", Page 45.
3. Switch off the appliance.

4. Unplug the appliance's mains plug.
5. Drain the remaining detergent solution.
→ "Cleaning the drain pump", Page 42
6. Detach the hoses.

Insert the hose into holder.

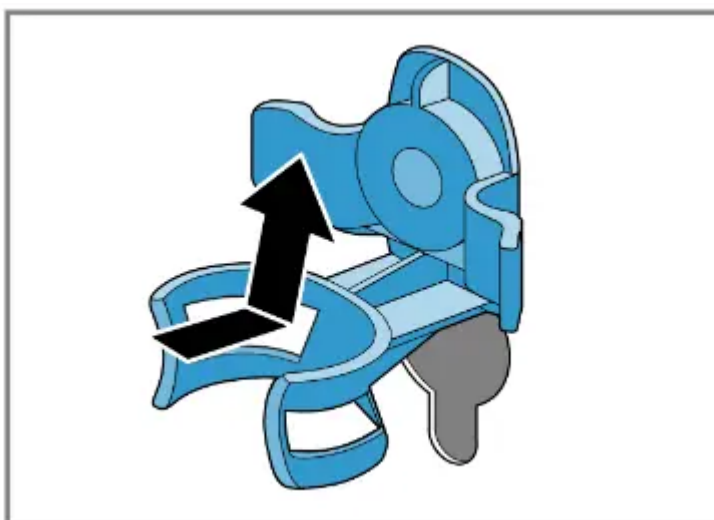
Using the appliance again

1. Remove the transit bolts.
- If necessary, use a screwdriver to remove the cover caps.

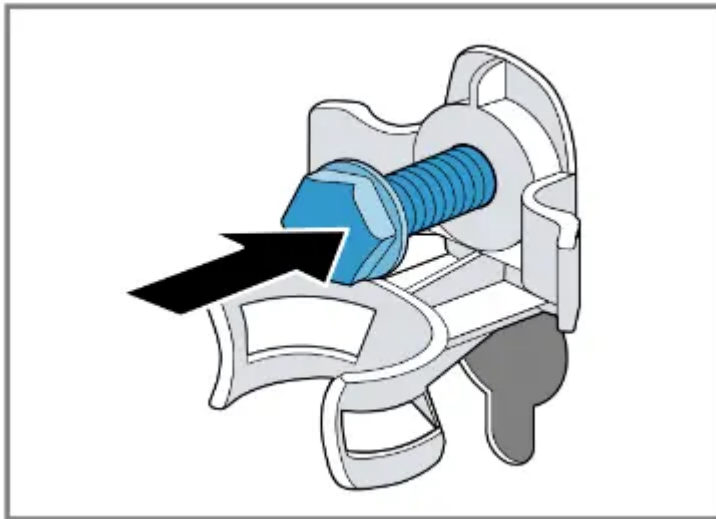


Keep the cover caps.

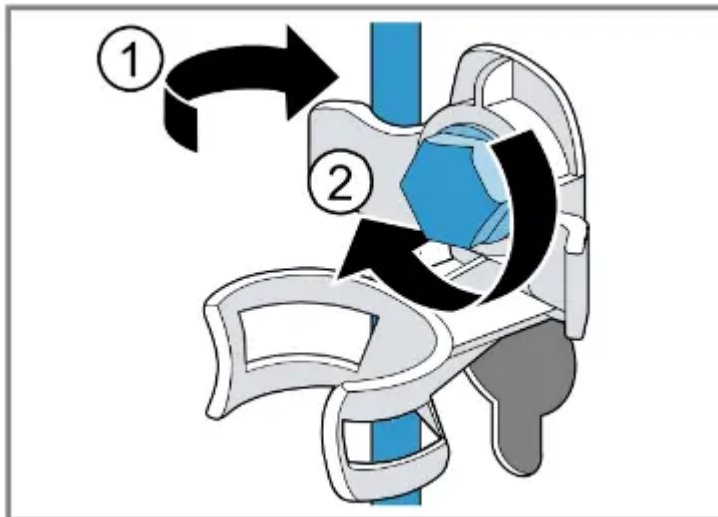
2. Insert the four sleeves.



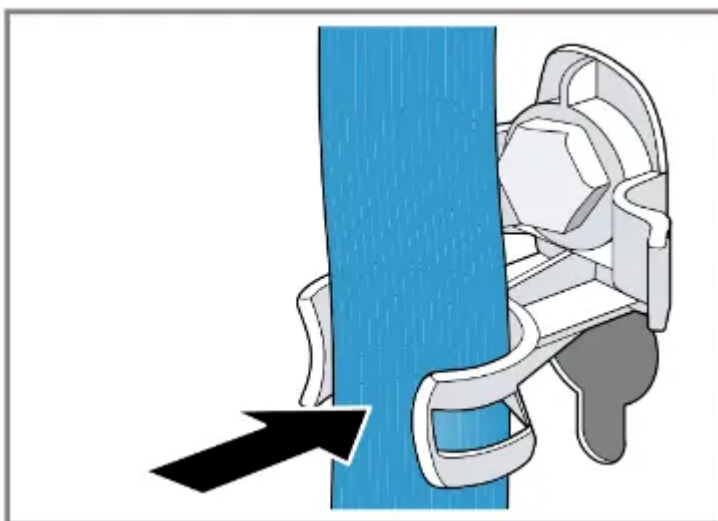
3. Insert all screws into the four transit bolts and tighten slightly.



4. Insert the power cord into the holder and tighten all four screws for the transit bolts with a WAF 13 wrench .



5. Insert the hose into holder.



Customer Service

If you have any queries on use, are unable to rectify faults on the appliance yourself or if your appliance needs to be repaired, contact Customer Service.

You can solve many problems yourself by consulting the information on troubleshooting in these instructions or on our website. If this is not the case, contact our after-sales service.

With any warranty claims, we will make sure that your appliance is repaired by trained after-sales technicians using genuine spare parts, including after the manufacturer's warranty has expired.

Function-relevant genuine spare parts according to the corresponding Eco-design Order can be obtained from

Customer Service for a period of at least 10 years from the date on which your appliance was placed on the market within the European Economic Area.

Note: Under the terms of the manufacturer's warranty the use of Customer Service is free of charge.

Detailed information on the warranty period and terms of warranty in your country is available from our after-sales service, your retailer or on our website.

If you contact Customer Service, you will require the product number (E- Nr.) and the production number (FD) of your appliance. The contact details for Customer Service can be found in the enclosed Customer Service directory or on our website.

Warning

This content is compiled from multiple sources and is provided for reference purposes only. It may not be complete or fully applicable to all situations. If you are unable to resolve your issue, please contact the product manufacturer or an authorized service provider for official support.