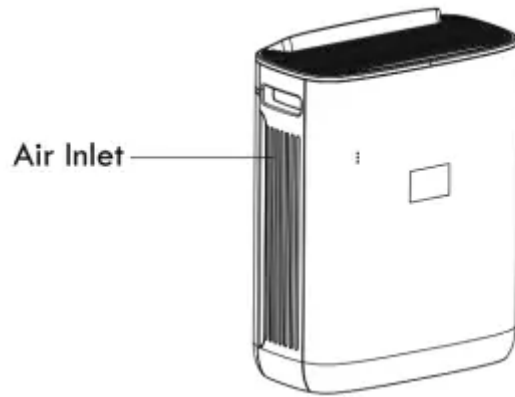
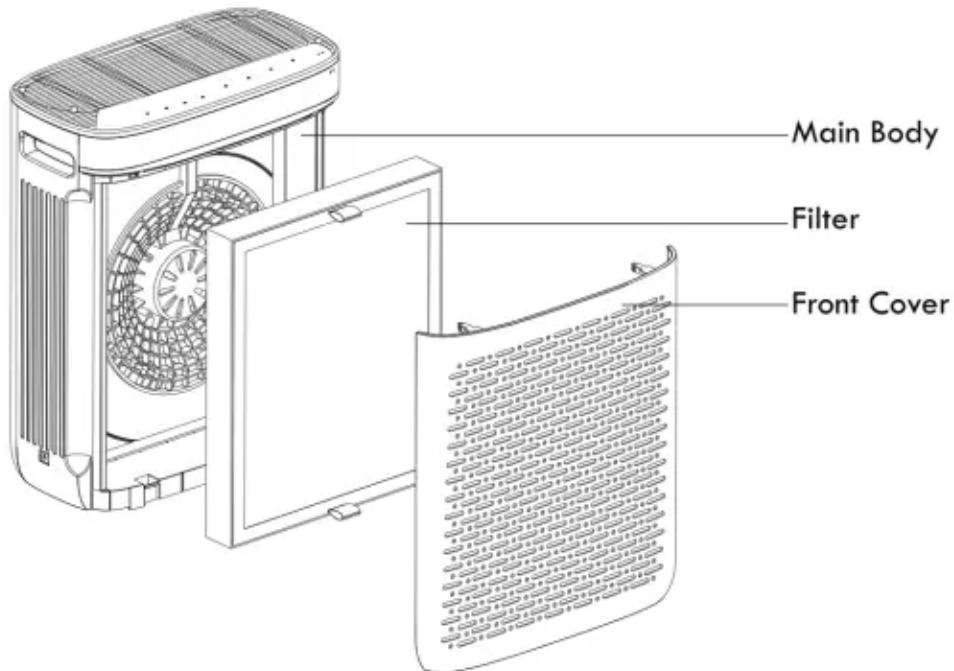
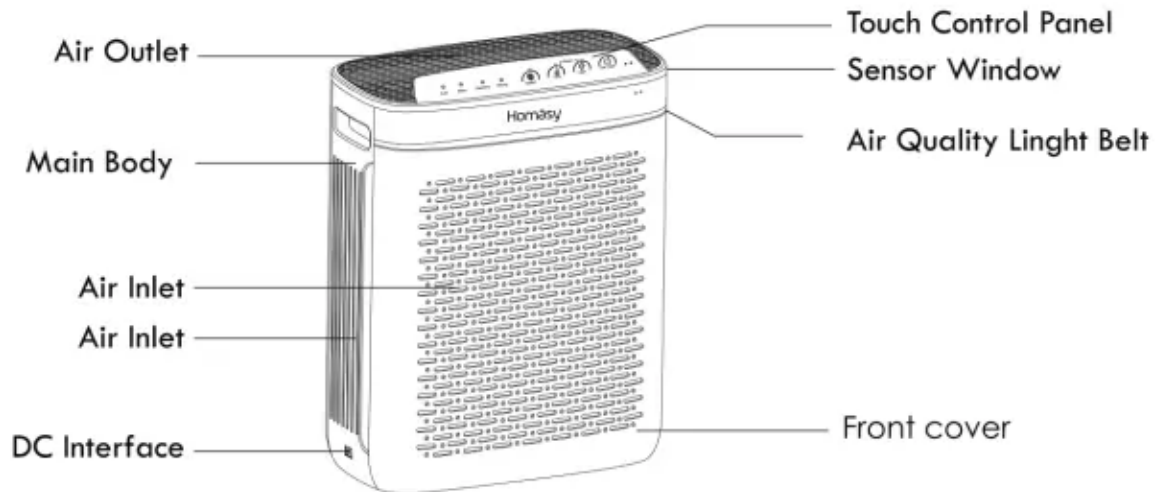


## Product Introduction





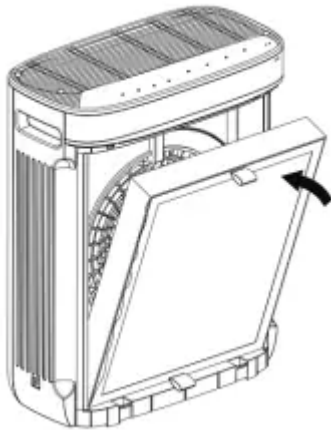
## Set up



1. Open the front cover



2. Pull out the filter and unpack the plastic bag



3. Assemble the filter



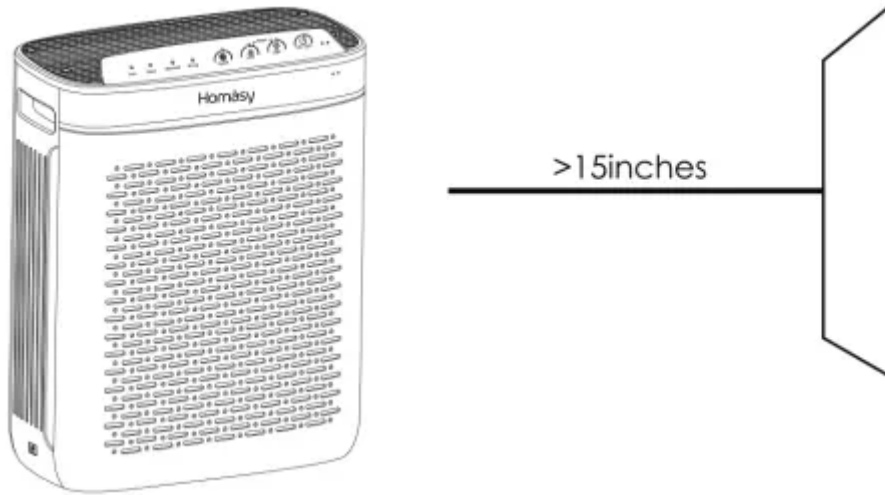
4. Assemble the front cover



5. Place the air purifier on the flat surface and connect the product to power supply.

**NOTE:**

- Always allow 15 inches of clearance on all sides of the purifier.
- Ensure the air filter is properly positioned in the purifier before use.



## Operation

### Button Controls

#### ON/OFF:

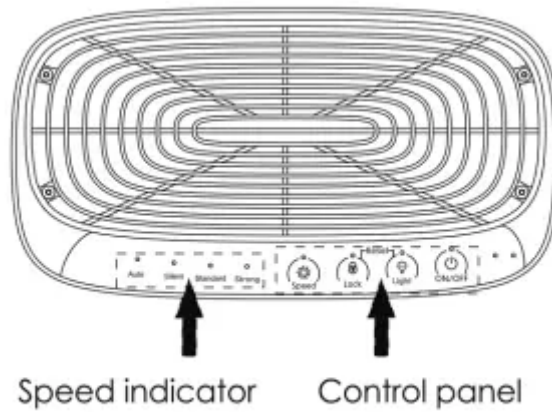
Press once to turn on or turn off the air purifier.

#### Light:

Underworking mode, If press the light button, the buzzer emits a sound, all the lights will go off except the ON/OFF button. Touch the light button again it can come back to normal.

#### Reset:

Both "Lock" and "Light" blink and Buzzer tweets when the air filter needs to be replaced. Press and hold the "Lock" and "Light" at the same time for 3 seconds after changing the air filter in the purifier.

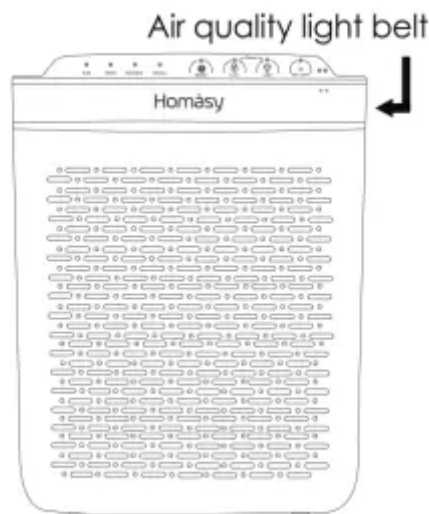


**Lock:**

In starting up or ready mode, press and hold the child lock for 3s to activate the child lock function . In this case, pressing any key is not effective. Press and hold the child lock for 3s can unlock it.

**Speed:**

Press the fan speed button to cycle through the three fan speed and AUTO mode.



**Care & Maintenance**

**General Maintenance**

- Wipe down the housing with a soft, clean cloth.
- DO NOT immerse the purifier in water or liquiddetergents.
- If necessary, wipe the housing with a clean damp cloth, then immediately dry the housing with a separate clean cloth.



## Replacement the Filter

- The filter reset button will light up when the air filter needs to be replaced. Only use HEPA Filters when changing the filter for this appliance.
- Follow the steps below to correctly replace the filter in your air purifier. Visit [Amazon.com](https://www.amazon.com) and search to purchase.

## Replacement filters for this appliance

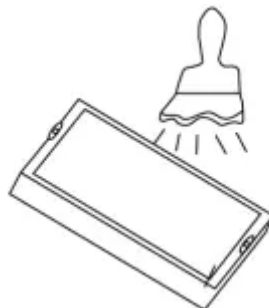
1. Turn off and unplug the air purifier.
2. Remove the filter cover.
3. Remove the old filter.
4. Clean any remaining dust or hair inside the purifier using a vacuum hose. DO NOT use water or liquids to clean the purifier.
5. Replace the front cover onto the main body, and ensure the filter and front cover is installed in place .
6. Plug in and turn on the purifier. Press and hold the filter button for 3 seconds to reset the filter lifetime. The filter reset indicator light will go off and the Buzzer will stop.

### NOTE:

- It is recommended to replace the air filter every six months or when the air purifier stops filtering air properly.
- Only use HEPA Filters when changing the filter for this device.
- DO NOT wash and reuse air filters.

## Filter clean

After using for 1-2 weeks, it is recommended to clean the filter surface with brush.



## Trouble shooting

1. Open the front cover and pull out the filter.

2. Remove the filter from its plastic packaging. Reinstall the filter.

<b>Problem</b>	<b>Cause</b>	<b>Solution</b>
<b>Air purifier does not work.</b>	The power adapter is not connected to an electrical Outlet or the air purifier.	Connect the plug into a powered electrical outlet.check the connect between the air purifier and the power adapter.
	Power button is not on.	Press the power button once to turn on the air purifier.
<b>Significantly reduced airflow.</b>	Filter packaging has not been removed	Remove filter packaging before use.
	Fan speed is low	Press the fan speed button to adjust fan speed.
	Filter is dirty or has not been replaced.	Replace the filter.
	Not enough clearance on all sides of the purifier	Ensure there is at least 15 in. ( 38 cm ) of clearance on all sides of the purifier.
<b>Poor air purification quality.</b>	Room is too large for the air purifier's applicable area.	Ensure the room is smaller than 215ft <sup>2</sup> (20m <sup>2</sup> ).
	Air inlet or outlet is blocked	Remove objects blocking air inlet or outlet.
	Filter is not properly placed in housing	Properly place filter as noted in the Set-Up and Replacing the Filter sections.
<b>Filter reset light is still on after replacing the air filter.</b>	The air filter's lifetime has been incorrectly reset.	Press and hold the filter reset Buttons(Lock&Light) for 3 seconds until the button lights turns off.

<b>No response when pressing the touch control panel.</b>	The Product enter the child lock mode,	Press and hold the child lock button for 3s to unlock the product,
	The air purifier may be malfunctioning.	Contact the customer support

## Customer Support

Should you encounter any issues or have any questions regarding your new product, feel free to contact our helpful Customer Support Team. Your satisfaction is our goal!

## Warranty

HOMASYair purifier will provide **24 months** warranty, which starts from the date of original purchase and is valid for problems which were caused by the manufacturer. If you need any assistance or have any question about its usage, please don't hesitate to contact our store and we will reply within 24 hours. It's suggested to leave details of your order number and question, and we will help you to solve it as soon as possible.

## Safety instructions

**IMPORTANT:** Please read, understand, and comply with all of the instructions provided in this manual before using the device. Failure to comply with the instructions given in this manual and/or using the device in ways other than the ones mentioned in this manual may result in serious injury and/or damage the product.

- **DO NOT** immerse air purifier in water or liquids, doing so may result in damage to the appliance , electric shock, or fire.
- **DO NOT** clean the appliance with water or any other liquid to avoid electric shock and/or a fire hazard.
- **DO NOT** use the appliance if the plug, the power cord, the power adapter or the appliance itself is damaged.
- **DO NOT** allow children to play with or near this purifier. Keep this appliance away from children.
- **DO NOT** block the air outlet and inlet by placing items on the air outlet or in front of the air inlet.
- This air purifier should not be used as a substitute for kitchen or bathroom ventilation or vacuum cleaning.

- This appliance has a polarized plug, always make sure it is correctly plugged into a polarized electrical outlet.
- To avoid fire or electrical shock hazards, always make sure the power adapter is plugged into a RIGHT AC electrical outlet.
- If the electrical outlet used to power the appliance has poor connections, the plug of the appliance becomes hot. Make sure you plug the appliance into a properly connected wall socket.
- **DO NOT** place this appliance on soft surfaces like sofas or beds: the air purifier may tip over and block either the air inlet or outlet.
- Always place and use the appliance on a flat, stable surface.
- Always allow 15 in. (38 cm) of clearance on all sides of the purifier.
- **DO NOT** sit or place anything on top of the purifier.
- **DO NOT** place the purifier directly below an air conditioner to prevent any moisture from getting into the purifier.
- Make sure all filters are properly installed before you turn on the appliance; remove the packaging from the filters inside the air purifier before use.
- **DO NOT** use any other filters with this air purifier. Only use WAPU replacement filters for this unit.
- Avoid hitting the purifier with hard objects.
- Always unplug the appliance before lifting or moving it.
- **DO NOT** insert fingers or objects into the air outlet.
- **DO NOT** use this appliance with indoor smoke-type insect repellents or in places with oily residues, burning incense or chemical fumes.
- **DO NOT** use the appliance near gas appliances, heating devices or fireplaces.
- Always unplug the appliance after use and before cleaning it.
- Use the purifier in a room with major indoor temperature changes as this may cause condensation to build up inside the appliance.
- The appliance is only intended for indoor household use under normal operating conditions as stated in this manual.
- **DO NOT** use the air purifier in humid environments.
- The appliance does not remove carbon monoxide (CO) or radon (Rn). It cannot be used as a safety device to prevent or clean up accidents with combustion processes and hazardous chemicals.

- This appliance should be kept at least 6.5 feet (2 meters) away from electronics that use radio waves.
- This appliance should only be used in rooms with temperatures between 40°F and 110°F.
- **DO NOT** attempt to repair this device in any way or use any replacement components or parts to modify the air purifier.
- Doing so will void your warranty. Contact customer service immediately if your appliance is no longer working.
- **WARNING:** To reduce the risk of fire or electric shock, DO NOT use the appliance with any solidstate speed control device.
- **WARNING:** To reduce the risk of injury, DO NOT put your fingers or other things into the shield of the fan wheel.

**SAVE THESE INSTRUCTIONS.**

**Warning**

This content is compiled from multiple sources and is provided for reference purposes only. It may not be complete or fully applicable to all situations. If you are unable to resolve your issue, please contact the product manufacturer or an authorized service provider for official support.