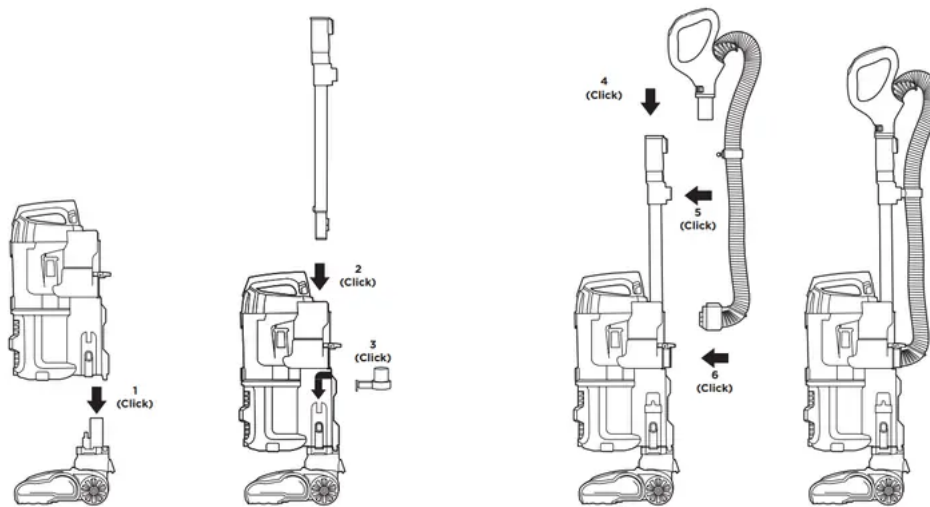


## ASSEMBLY

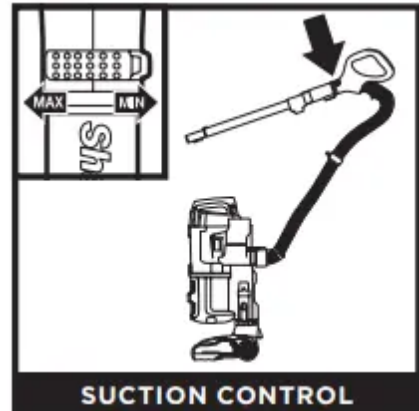
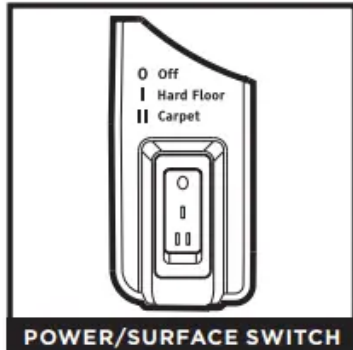


1. Place pod onto floor nozzle post.
2. Insert wand into pod.
3. Attach the bottom accessory holder onto the pod.
4. Insert handle into wand.
5. Attach hose clip to wand.
6. Connect hose to back of pod.

For proper operation, ensure all are firmly connected.

# WHOLE-HOME CLEANING

## SETTINGS



Select surface setting:

**O Power Off**

**I Hard Floor**

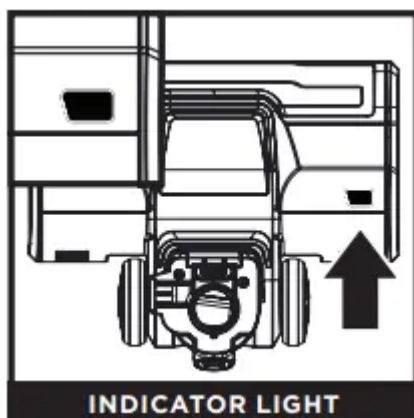
For bare floors and area rugs.

**II Carpet**

For high pile carpets.

**Suction Control** offers variable suction based on your needs. Slide to **MIN** to reduce suction and increase maneuverability on carpets. Slide to **MAX** to increase suction on bare floors.

## BRUSHROLL INDICATOR LIGHT



**WHAT DOES THE BRUSHROLL INDICATOR LIGHT MEAN?**

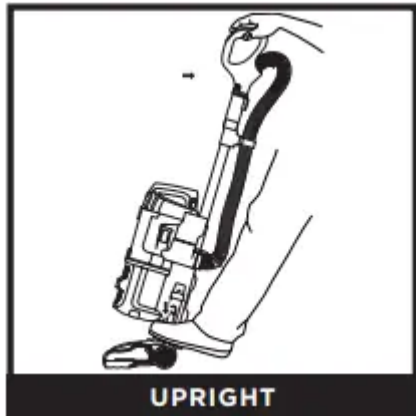
**Solid Green:** The brushroll is spinning and working as it should.

**Solid Red:** There is a jam in the brushroll area. Turn your vacuum off and remove any blockages in the nozzle.

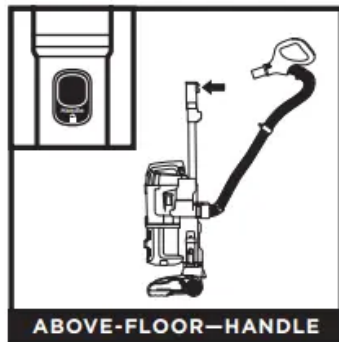
**Flashing Red:** The motorized floor nozzle is overheating. Turn your vacuum off and wait a minimum of 45 minutes for it to cool down.

**NOTE:** For deep carpet cleaning per ASTM F 608 (embedded dirt in carpets), setting II, **Carpet**.  
For deep carpet cleaning per ASTM F 608, set to **MAX** suction and **Carpet**.

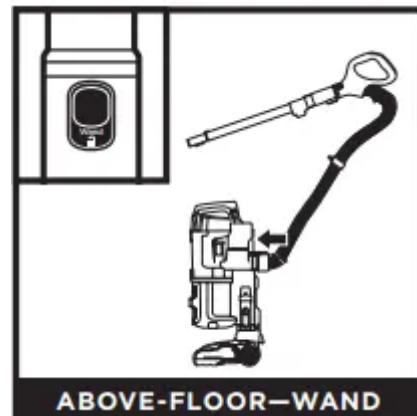
## CLEANING MODES



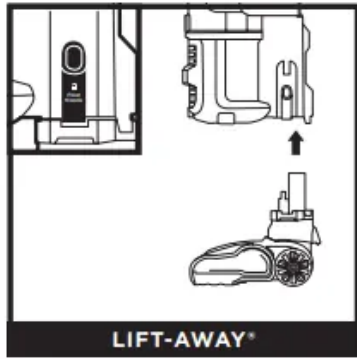
To engage brushroll, place foot on floor nozzle and tilt handle back.



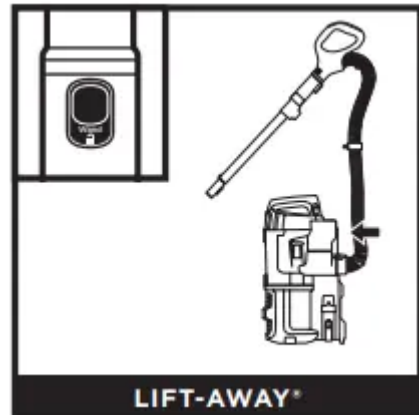
Press the Handle Release button to detach the handle from the wand.



Press the Wand Release button to detach the wand from the pod.



Press the Lift-Away button to detach the pod from the floor nozzle.



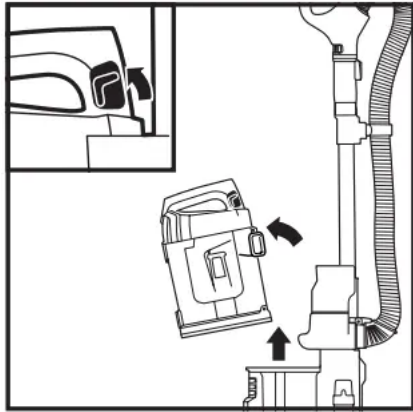
With pod removed, press the Wand Release button to detach the wand from the pod.

**NOTE:** All accessories attach to either the wand or the handle.

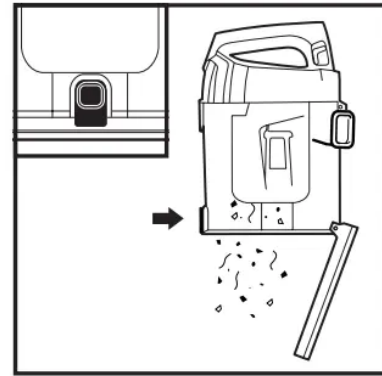
## EMPTYING THE DUST CUP



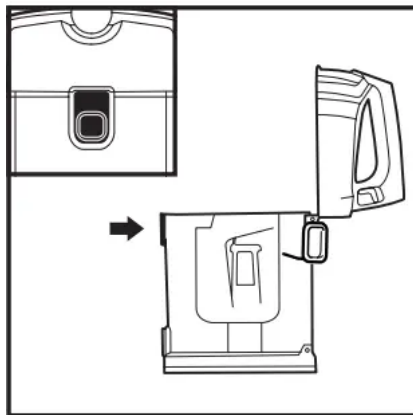
**IMPORTANT:** Unplug the power cord before performing any maintenance.



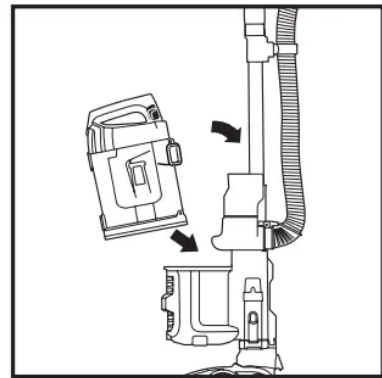
To remove Dust Cup, lift tabs on both sides of dust cup handle. Tilt dust cup forward, then lift to remove.



Press lower release button to open bottom of dust cup.



To remove collected debris from Lint Screen, press top release button and lift handle to open. Gently brush lint screen to clean.



To reinstall, place bottom of dust cup into pod and then tilt back until it clicks into place.

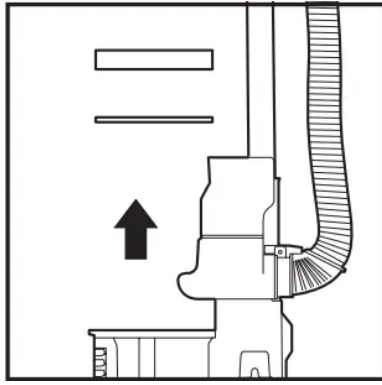
## CLEANING AND REPLACING THE FILTERS

### CLEANING FILTERS

**Regularly clean and replace your filters to keep your vacuum's suction power optimal.**

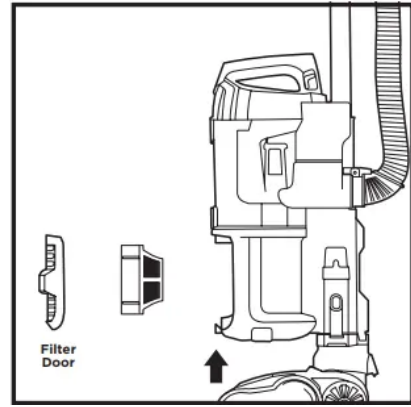
To clean filters, rinse with cold water only to prevent damage from cleaning chemicals. Allow all filters to air-dry for at least 24 hours before reinstalling them to prevent liquid from being drawn into electric parts.

**IMPORTANT:** DO NOT use soap when cleaning the filters.



**CLEAN PRE-MOTOR FILTERS EVERY 3 MONTHS**

Remove Dust Cup, then lift out Filters.



**CLEAN HEPA FILTER EVERY YEAR**

Press button at bottom of Filter Door. Tilt Filter Door and lift out. Remove HEPA Filter.

To reinstall, insert HEPA filter into unit and replace the filter door.

## MAINTENANCE

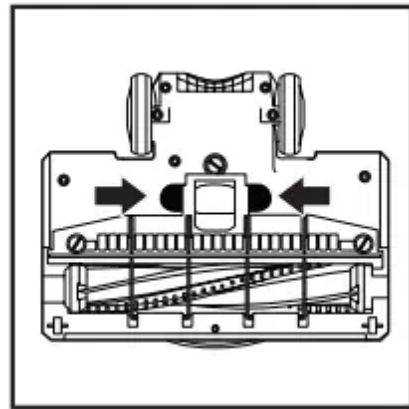
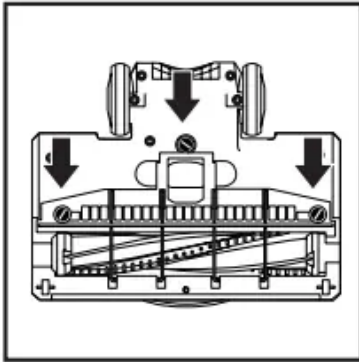
### Zero-M™ Technology



Zero-M Technology™ actively removes hair wrap from your brushroll while you vacuum, with uncompromised cleaning power. If you run over a hard or sharp object or notice a noise change while vacuuming, check for blockages or objects caught in the brushroll.

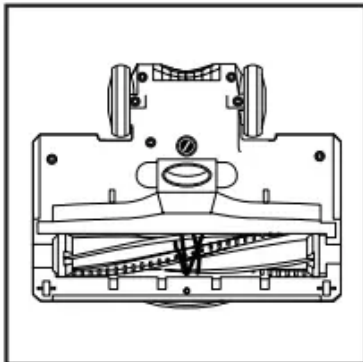
**NOTE:** Do not be alarmed if there is visible hair at any given time, as it will eventually make its way to the dust cup.

## CLEANING THE BRUSHROLL



Using a coin, turn locks counterclockwise to open, then lift off cover to access Brushroll.

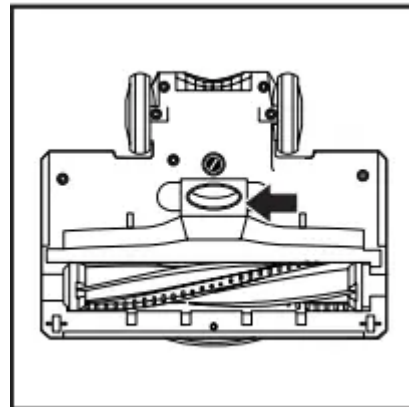
### DEBRIS WRAPPED AROUND BRUSHROLL



Clean off any debris on the bristles.

**NOTE:** If any hair is wrapped around the brushroll, extending cleaning time will allow Zero-M™ technology to remove it for you. If some fibers remain wrapped around brushroll after continued use, carefully cut debris with scissors and remove from brushroll.

### DEBRIS BEHIND BRUSHROLL

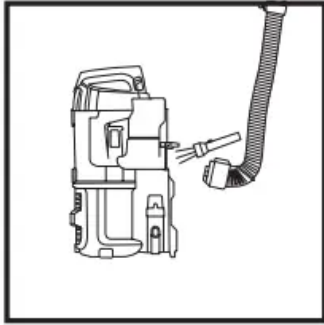


If you run over a hard or sharp object or notice a noise change while vacuuming, check for blockages or objects caught in the brushroll.

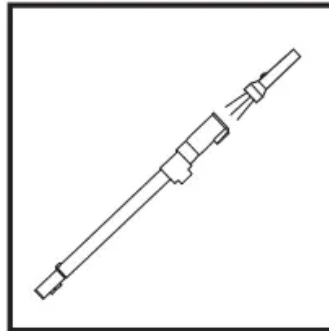
Clear away any dust, dirt, or blockages in Debris Intake.

To close the cover, push down until it clicks into place, then close the locks with a coin.

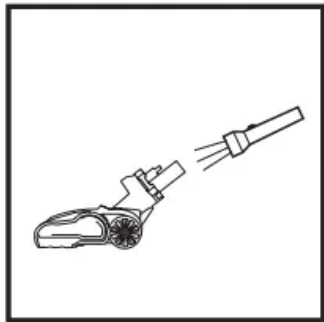
## CHECKING FOR BLOCKAGES



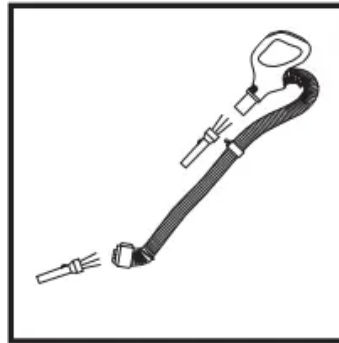
Detach hose from vacuum pod, and check hose and opening on back of pod for blockages.



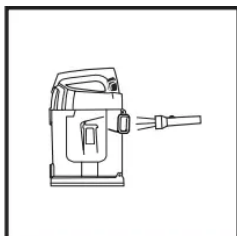
Detach wand from floor nozzle and handle, and check both ends for blockages.



Detach wand from floor nozzle, tilt nozzle neck back, and check opening for blockages.



Detach handle from wand and hose from the vacuum pod, and check openings for blockages.



Detach dust cup from vacuum pod. Empty dust cup, remove debris from lint screen, and check for blockages.

# TROUBLESHOOTING

## **Vacuum is not picking up debris. No suction or light suction.**

- Check filters to see if they need cleaning. Follow instructions for rinsing and air-drying the filters before reinserting in the vacuum.
- Dust cup may be full; empty dust cup.
- Check hose, hose connections, nozzle, wand, pod, and accessories for blockages. Clear any blockages found.

(Refer to Checking for Blockages section for more information.)

- If any string, carpet fibers, or hair is wrapped around the brushroll, extend cleaning time to allow Zero-M™ technology to remove it.
  - If some hair or fibers remain wrapped around brushroll after continued use, remove the floor nozzle cover and carefully cut debris with scissors and remove from brushroll. See Cleaning the Brushroll section for more information.

## **Vacuum lifts area rugs.**

- Make sure Power/Surface switch is set to Hard Floor (setting I).
- Suction is powerful. Take care when vacuuming area rugs or rugs with delicately sewn edges.
- To minimize suction, refer to Suction Control section for more information on how to use.

## **Brushroll does not spin.**

- If the Brushroll Indicator Light turns red, immediately turn off and unplug the vacuum. Remove pod from floor nozzle and clear any blockages. Reconnect nozzle, plug in vacuum, and turn on power.
- With the power on, recline the handle, which will automatically turn on the brushroll.
- Ensure that the Power/Surface switch is set to Carpet (position II) for brushroll to spin.

## **Vacuum turns off on its own or indicator light flashes red.**

This vacuum is equipped with a motor-protective thermostat. If your vacuum overheats, the thermostat will automatically turn the suction motor off. Perform the following steps to restart the thermostat:

1. Turn vacuum off and unplug it.
2. Empty dust cup and clean filters (see Emptying the Dust Cup and Cleaning the Filters).
3. Check for blockages in hose, accessories, and inlet openings.
4. Allow unit to cool for a minimum of 45 minutes.
5. Plug in vacuum and turn it on.

6. Restart the unit with the Power/Surface switch.

## **IMPORTANT SAFETY INSTRUCTIONS**

### **GENERAL WARNINGS**

1. Your vacuum cleaner may consist of a motorized nozzle, wand, hose, and/ or vacuum pod. This device contains electrical connections, electrical wiring, and moving parts that potentially present risk to the user.
2. Use only identical replacement parts.
3. Carefully observe and follow the instructions provided below to avoid improper use of the appliance. DO NOT use the vacuum for any purpose other than those described in this manual.
4. Before use, carefully inspect all parts for any damage. DO NOT use if any parts are damaged.
5. The use of an extension cord is NOT recommended.
6. This vacuum cleaner contains no serviceable parts.

### **USE WARNINGS**

7. DO NOT allow the appliance to be used by children. Close supervision is necessary when used near children. This is not a toy.
8. Always turn off the vacuum cleaner before connecting or disconnecting any motorized nozzles or other accessories.
9. DO NOT handle plug or vacuum cleaner with wet hands.
10. DO NOT use without filters in place.
11. Only use Shark® branded filters and accessories. Failure to do so will also void the warranty.
12. DO NOT damage the power cord:
  - a) DO NOT pull or carry vacuum cleaner by the cord or use the cord as a handle.
  - b) DO NOT unplug by pulling on cord. Grasp the plug, not the cord.
  - c) DO NOT run the vacuum cleaner over the power cord, close a door on the cord, pull the cord around sharp corners, or leave the cord near heated surfaces.
13. DO NOT put any objects into nozzle or accessory openings. DO NOT use with any opening blocked; keep free of dust, lint, hair, and anything that may reduce airflow.

14. DO NOT use if nozzle or accessory airflow is restricted. If the air paths or the motorized floor nozzle become blocked, turn the vacuum cleaner off and unplug from electrical outlet. Remove all obstructions before you plug in and turn on the unit again.
15. Keep nozzle and all vacuum openings away from hair, face, fingers, uncovered feet, or loose clothing.
16. DO NOT use if vacuum cleaner is not working as it should, or has been dropped, damaged, left outdoors, or dropped into water.
17. Use extra care when cleaning on stairs.
18. DO NOT leave the vacuum cleaner unattended while plugged in.
19. When powered on, keep the vacuum cleaner moving over the carpet surface at all times to avoid damaging the carpet fibers.
20. DO NOT place vacuum cleaner on unstable surfaces such as chairs or tables.
21. Your Shark® Vacuum may not be designed to stand up on its own. When taking a break from cleaning, you may need to lean it against furniture or a wall, or lay it flat on the floor. Using the vacuum for an application where the unit lacks stability may result in personal injury.
22. DO NOT use to pick up:
  - a) Liquids
  - b) Large objects
  - c) Hard or sharp objects (glass, nails, screws, or coins)
  - d) Large quantities of dust (drywall dust, fireplace ash, or embers). DO NOT use as an attachment to power tools for dust collection.
  - e) Smoking or burning objects (hot coals, cigarette butts, or matches)
  - f) Flammable or combustible materials (lighter fluid, gasoline, or kerosene)
  - g) Toxic materials (chlorine bleach, ammonia, or drain cleaner)
23. DO NOT use in the following areas:
  - a) Poorly lit areas
  - b) Wet or damp surfaces
  - c) Outdoor areas
  - d) Spaces that are enclosed and may contain explosive or toxic fumes or vapors (lighter fluid, gasoline, kerosene, paint, paint thinners, mothproofing substances, or flammable dust)
24. Turn off all controls before plugging in or unplugging the vacuum.

25. Unplug from electrical outlet when not in use and before any maintenance or cleaning.
26. Hand wash with water only. Washing with cleaning chemicals could damage the unit.
27. During cleaning or routine maintenance, DO NOT cut anything other than hair, fibers, or string wrapped around the brushroll.
28. Allow all filters to air-dry completely before replacing in the vacuum to prevent liquid from being drawn into electric parts.
29. Make sure the dust cup and all filters are in place after routine maintenance.
30. If provided, secure the power cord around the two cord hooks during storage.

**Warning**

This content is compiled from multiple sources and is provided for reference purposes only. It may not be complete or fully applicable to all situations. If you are unable to resolve your issue, please contact the product manufacturer or an authorized service provider for official support.