

Installation

Step-by-step installation

Make sure you have a qualified technician install the dryer. Step by step installation instructions start below.

- Do not remove the protective film on the door before completing the product installation. If you remove the protective film before the installation is complete, the door may get scratched or damaged during installation.
- Make sure the installation location allows enough space for the dryer door to be fully open.

STEP 1 Install the exhaust system

1. Select a location and move the dryer to the site. For easy access, we recommend you install the dryer in the same location as your washer.
2. Install the exhaust system as instructed in the “Exhaust ducting guide” section.

CAUTION: Before installing your dryer, remove the packing material in the duct.

NOTE:

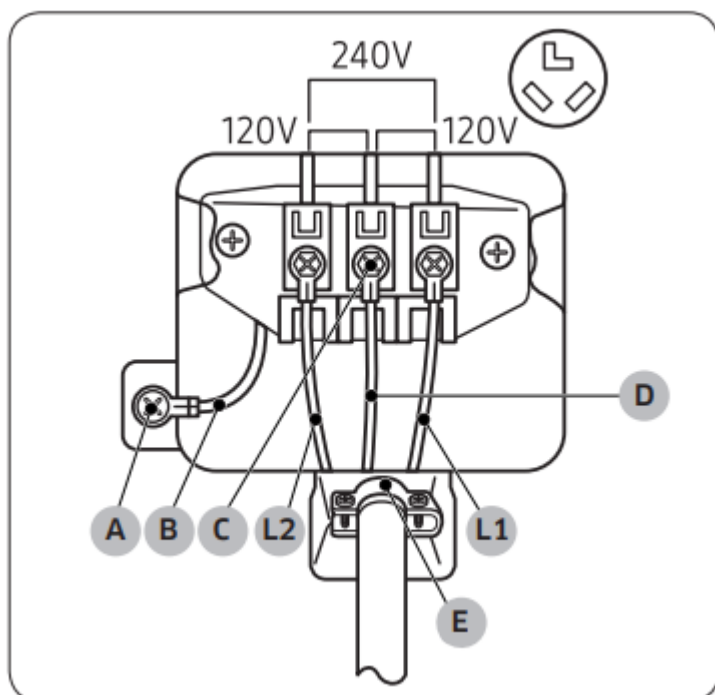
- To move the dryer easily, lay two of the carton cushion-from the packaging on the floor. Tip the dryer on its side, so it lies across both cushion-tops. Push the dryer so that it is near its final location, and then set the dryer upright.
- Secure room around the dryer to facilitate ducting and wiring.

STEP 2 Connect the gas line

1. Remove the protective cap from the gas pipe.
2. Apply an LPG (Liquefied Petroleum Gas)-safe compound or 1.5 wraps of Teflon tape to all threaded connections.
3. Connect the gas supply to the dryer. An additional fitting is required to connect the 3/4” (1.9 cm) female thread end of a flexible connector to the 3/8” (1 cm) male threaded end on the dryer. Tighten up the fitting over all threads.
4. Turn on the gas supply, and check for any leaks using a soap solution. If a leak is found, tighten the connections and try again. DO NOT use an open flame to check for gas leaks.

STEP 3 Connect the electrical wiring

3-wire system



- A. External ground connector
- B. Neutral grounding wire (white)
- C. Center silver-colored terminal block screw
- D. Neutral wire (white or center wire) E. 3/4" (1.9 cm) UL-listed strain relief

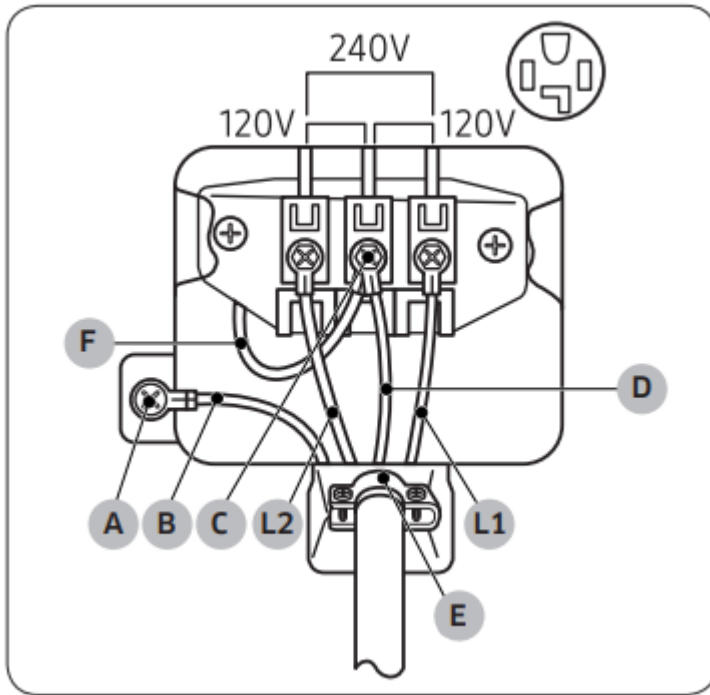
1. Loosen or remove the screws from the center terminal block.
2. Connect the neutral wire (white or center wire) of the power cable to the center, silver-colored terminal screw of the terminal block. Tighten the screws.
3. Connect the other wires to outer terminal block screws. Tighten the screws.
4. Tighten the strain relief screws.
5. Insert the terminal block cover into the rear panel of the dryer. Then, secure the cover with a hold-down screw.

CAUTION:

- To convert from the 4-wire system to the 3-wire system, connect the ground strap to the terminal block support to ground the dryer frame to the neutral conductor.
- Ring-type terminals are recommended. If using strap terminals, make sure they are tightened.
- Connect the power cord and check L1/ L2/N voltage. If the voltage is low, it may not heat properly.

4-wire system





- A. External ground connector
- B. Neutral grounding wire (white)
- C. Center silver-colored terminal block screw
- D. Neutral wire (white or center wire)
- E. 3/4" (1.9 cm) UL-listed strain relief
- F. Neutral wire (white or center wire)

1. Remove the external ground connector's screw, and connect the ground wire (green or unwrapped) of the power cable to the screw.

CAUTION

- To connect the ground wire to the neutral position without contact A (cabinet ground), contact a technician. It is not user serviceable.
- Ring-type terminals are recommended. If using strap terminals, make sure they are tightened.

2. Loosen or remove the screws from the center terminal block.
3. Connect the neutral wire (white or center wire) and ground wire (white) to the center screw of the terminal block. Tighten the screw.
4. Connect the other wires to the outer terminal block screws. Tighten the screws.
5. Tighten the strain relief screws.
6. Insert the tab of the terminal block cover into the rear slot of the dryer. Secure the cover with a hold-down screw.



CAUTION:

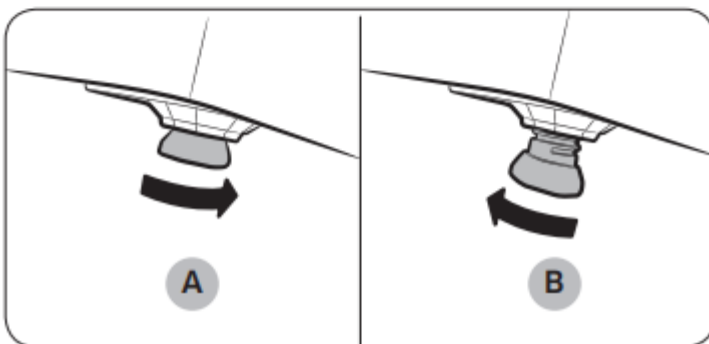
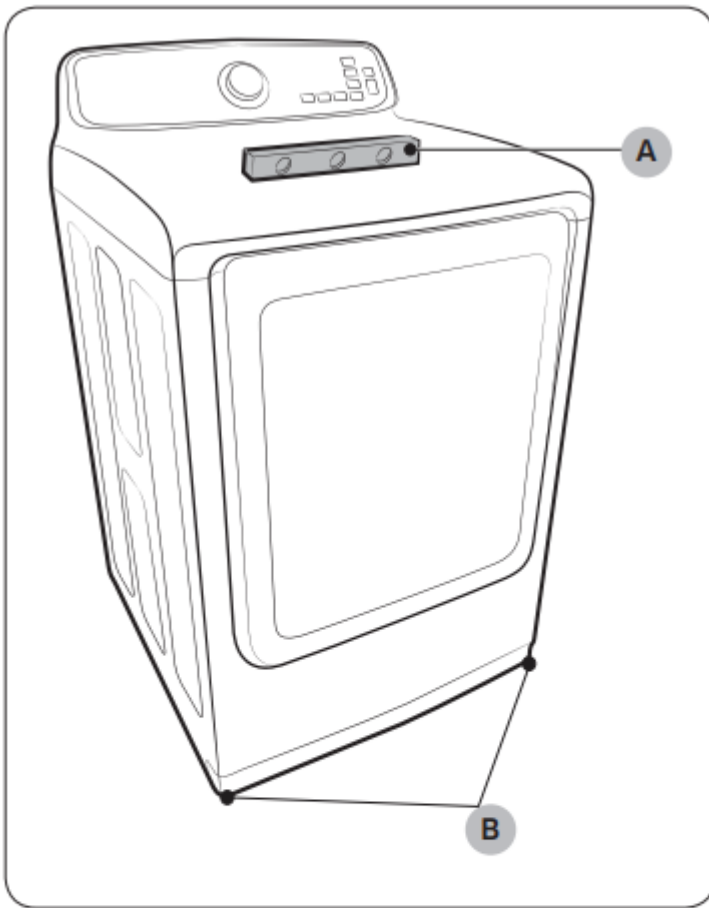
Connect the power cord and check L1/L2/N voltage. If the voltage is low, it may not heat properly.

WARNING:

- All U.S. models are designed for a 3-wire system connection. The dryer frame is grounded to the neutral conductor at the terminal block. A 4-wire system connection is required for new or remodeled construction, mobile homes, or if local codes do not permit grounding through neutral. If you use the 4-wire system, you cannot ground the dryer frame to the neutral conductor at the terminal block.
- Remove the terminal block cover plate. Insert the power cord with a UL-listed strain relief through the hole provided in the cabinet near the terminal block.
- A strain relief must be used. Do not loosen the nuts already installed on the terminal block. Be sure they are tight. Use a 3/8" (1 cm) deep well socket.
- Since January 1, 1996, The national electric code requires that new wiring (not existing) utilize a 4-wire connection to this dryer.

STEP 4 Level the dryer

To ensure optimal performance, the dryer must be level.



1. Gently slide the dryer into the desired location.
2. Use a level (A) and check the levelness of the dryer from side to side and front to back.
3. If the dryer is not level, turn the leveling feet (B) left or right to adjust the height.
4. Once the dryer is level, make sure the dryer stands firmly on the floor.
5. Plug in the dryer.

NOTE:

- To set the dryer to the same height as your washer, turn the leveling feet to the right until it fully retracts (A). Then, turn the leveling feet to the left to extend (B) until the dryer and the washer are the same height.

- Extend the leveling feet only as much as necessary. Extending the leveling feet more than necessary can cause the dryer to vibrate.

STEP 5 Power on (Gas models)

Make sure all gas connections, the exhaust line, and all wiring is connected correctly. Then, plug the power cord into a power source and check the dryer's installation and operation using the final checklist in Step 6.

STEP 6 Final check

When the installation is complete, confirm that:

- The dryer is plugged into an electrical outlet and grounded properly.
- The exhaust ductwork is connected and the joints are taped.
- You have used rigid or stiff-walled flexible metal duct material, not plastic flexible duct.
- The dryer is level and is sitting firmly on the floor.
- The dryer starts, runs, heats, and shuts off properly.

For gas models:

- The gas is supplied properly with no leaks.

CAUTION: The burner may not ignite initially due to air in the gas line. Allowing your dryer to operate on a heat setting will purge the line. If the gas does not ignite within 5 minutes, turn your dryer off and wait 5 minutes. Be sure the gas supply to your dryer has been turned on. To confirm gas ignition, check the exhaust for heat.

Vent blockage test

After the dryer is installed, start the Vent Blockage Test to check if the duct system is properly installed. The Vent Blockage Test automatically detects the status of the ducts and reports any blockage or problems. Proper ducting can reduce drying time and save energy.

NOTE: You must run the Vent Blockage Test while the dryer is cool. If the dryer warms up after the installation check, run the AIR FLUFF cycle for several minutes to reduce its internal temperature.

Running the vent blockage test

1. Make sure the drum is empty, and then close the door.
 - If there are any clothes or other items in the drum, the test will not give accurate results.
2. Press the POWER button to turn on the dryer.
3. Press and hold the Temp. and START/PAUSE buttons simultaneously for 3 seconds.
 - The Drying, Cooling, and High LEDs turn on.

- If you have started other procedures before the Vent Blockage Test, the dryer will not enter the Vent Blockage Test mode.

4. Press the START/PAUSE button.

- The Vent Blockage Test starts immediately. During the test, the Drying, Cooling and High LEDs blink.
- Do not open the door during the test.

5. After 2 minutes, when the test is complete, the result is displayed and the dryer sounds a tone.

- If the status of the duct system is normal, the End LED turns on, and the dryer sounds a completion tone.
- If the duct system cannot exhaust properly, “Installation check code” is displayed on the control panel, and the dryer sounds an alarm tone.
- If there are any other problems, an information code appears in the display.

NOTE:

- During or after the test, the internal drum is hot. Use caution to prevent burns. The Vent Blockage Test is used to check for problems to the current duct system when the dryer is installed for the first time.
- If the test result displays check code (the duct system is blocked), and then take proper measures to correct any problems. If the test is suspended, it could result in incorrect results. Follow the proper procedures when testing the dryer.
- Even if the test result is normal (the End LED on), the duct system could be blocked slightly. Properly install all ductwork according to the installation instructions in this manual.

Installation check codes

● : LED ON, ● : LED Blink

Check code	Display				Temp.				Time (min.)			
	Drying	Cooling	Wrinkle Prevent	End	Extra Low	Low	Medium	High	20	40	60	80
Ins	●	●						●				
0				●								
C80	●	●	●	●					●	●	●	●
C90	●	●	●	●	●	●	●	●	●	●	●	●
Ct					●	●	●	●				
tC					●							
C1									●	●	●	●
dC								●				
9C1												●



Check code	Meaning	Solution
0	Vent condition is good.	
Clg (Cg)	The vent is clogged.	1. Clean the lint filter. 2. Check your vent condition.
C80 (C8)	About 80 % of the vent is clogged. (This may decrease the drying performance.)	* You must take measures (such as cleaning) through expert personnel.
C90 (C9)	Over 90 % of the vent is clogged. (This may lead to poor drying performance or cause malfunction)	
Ct	The internal temperature of the dryer is too low (below 32 °F (0 °C)) or too high (over 104 °F (40 °C)) and therefore, vent blockage cannot be detected.	Leave the dryer at room temperature (41~95 °F (5~35 °C)) for an hour and check again.
tC	Temperature sensor error	Contact a service center.
C1	The unit is detecting items inside the drum, or there is an error on the dry sensor.	Remove items from the drum and check again. If the problem continues, contact a service center.
dC	The unit is detecting the door is open.	Close the door properly and check again. If the problem continues, contact a service center.
9C1	Abnormal voltage detected.	Check the power connection. If the problem continues, contact a service center.
HC	Detection of abnormal temperature in drum	Check the power connection.

		Check the vent condition if the problem continues, contact a service center.
--	--	--

Exhaust ducting guide

Ducting

1. Make sure the dryer is installed properly, so the air exhausts freely.
2. Use 4-inch rigid metal ducts. Tape all joints, including the dryer connection. Never use lint-trapping screws.
3. To facilitate the exhaust, keep the ducts as straight as possible.

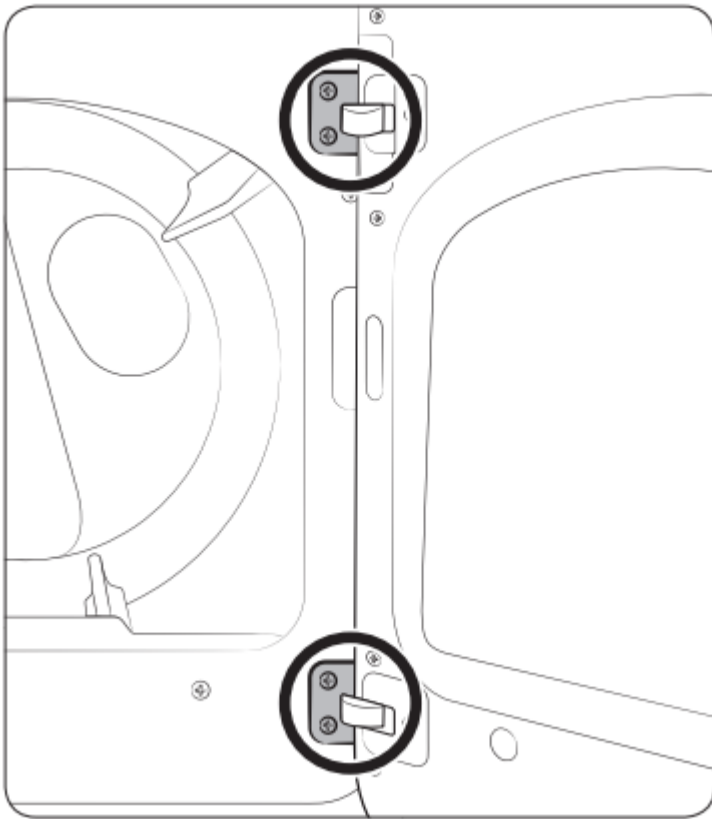
Cleaning

Clean all old ducts before installing the dryer, and make sure the vent flap opens and closes freely. We recommend that you clean the exhaust system regularly, at least once a year.

WARNING:

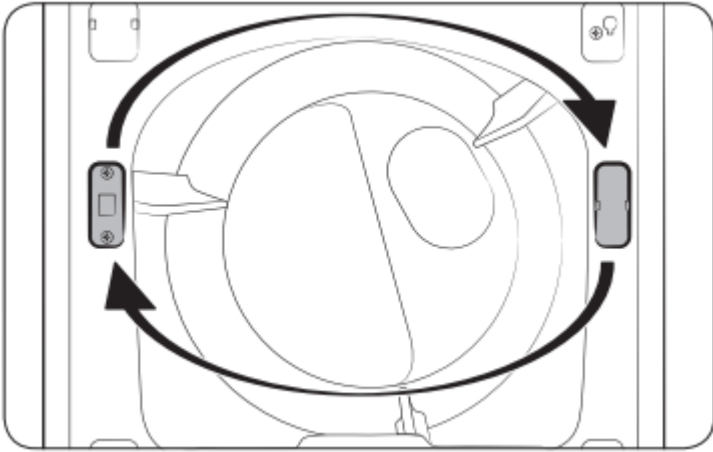
- To prevent fire, do not use plastic, thin-foil, or non-metal flexible ducts of any kind.
- Do not use a poor exhaust system because it slows down the dryer's performance.
- Do not use excessively long ducts that have multiple elbows.
- Do not use crushed or clogged venting or ducts.

Switching the door position

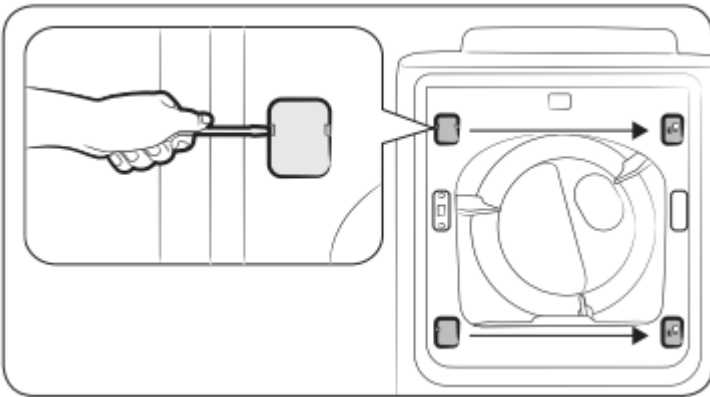


To reverse the direction of the door, we recommend that you contact a qualified technician. It is recommended to put a soft rug on the floor to rest the door on after you have removed it. This will prevent the door from being scratched.

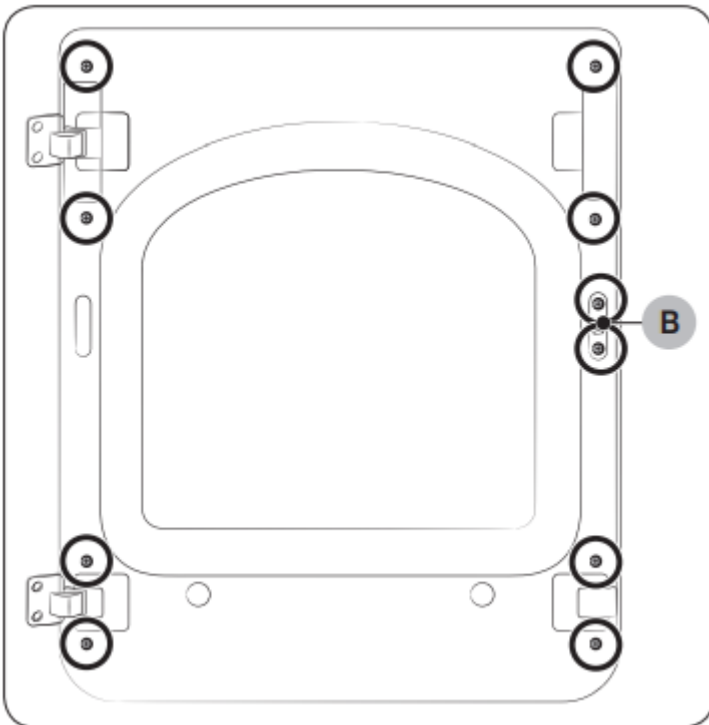
1. Put a soft rug on the floor to rest the door on after you have removed it. This will prevent the door from being scratched.
2. Unplug the power cord of the dryer.
3. Remove the four hinge screws from the door, and then remove the door by lifting it up slightly.
4. Remove the two screws from the lever holder, and then remove the holder cover.
5. Put the lever holder on the other side as shown, and then tighten the screws. Install the holder cover on the opposite side as shown.



6. Use a flat-head screwdriver to remove the two hinge covers from the original side. Install the hinge covers on the opposite side as shown.



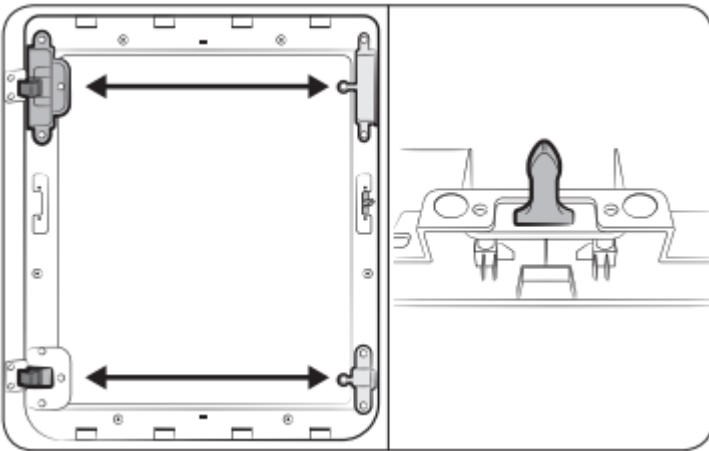
7. Locate and remove the 10 screws as shown. Note that screw B (x2) is longer than the others.



8. Remove the glass holder, and switch the positions of:

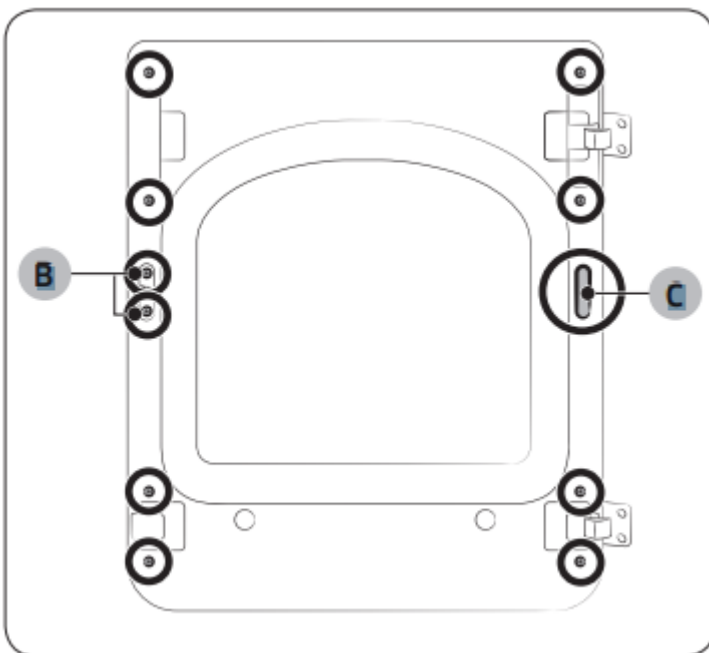
- a. the hinge cover and the door handle.
- b. the hinge holder and the glass-guide holder

9. Remove the door lever, and then move it to the other side as shown.

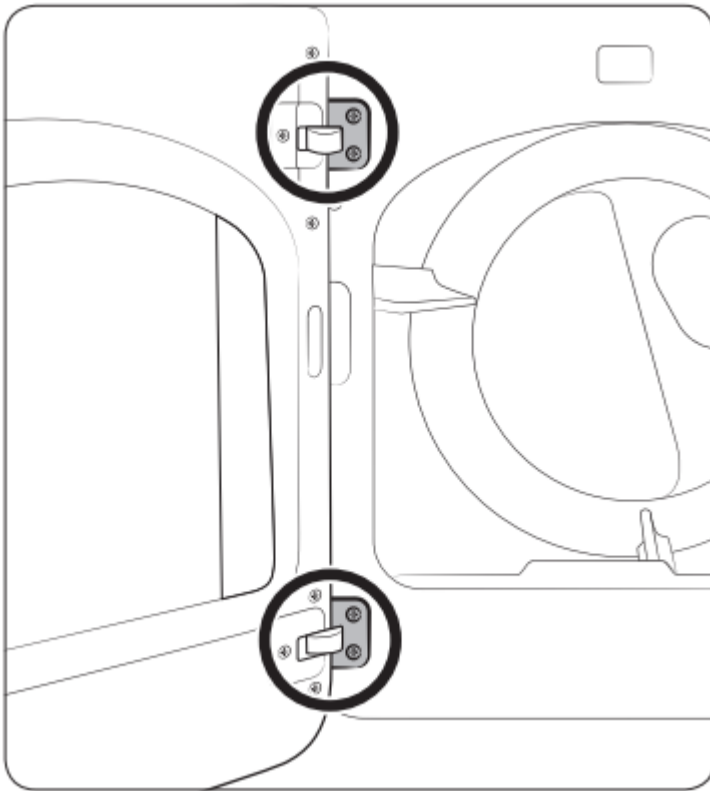


10. Remove the hole cover (C), and then insert and tighten the glass holder using the removed 10 screws.

11. Install the hole cover on the opposite side as shown.



12. Reinstall the door on the front frame, and then carefully insert and tighten the 4 hinge screws.



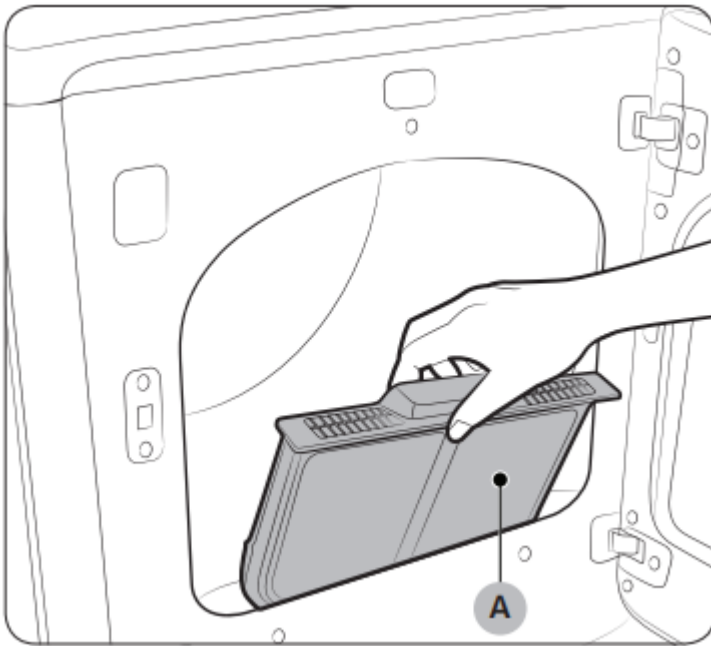
Before you start

Sort and load

- Put one wash load in the dryer at a time.
- Do not put heavy and light items together.
- To improve drying efficiency for one or two items, add a dry towel to the load.
- For best results, untangle items before inserting them into the dryer.
- Overloading reduces tumbling performance, resulting in uneven drying and wrinkling.
- Unless recommended on the care label, do not dry woolens or fiberglass items.
- Avoid drying unwashed items.
- Do not dry items soiled with oil, alcohol, gasoline, etc.

Functional prerequisite

Lint filter



To prevent a risk of fire, make sure to clean the lint filter before or after every load.

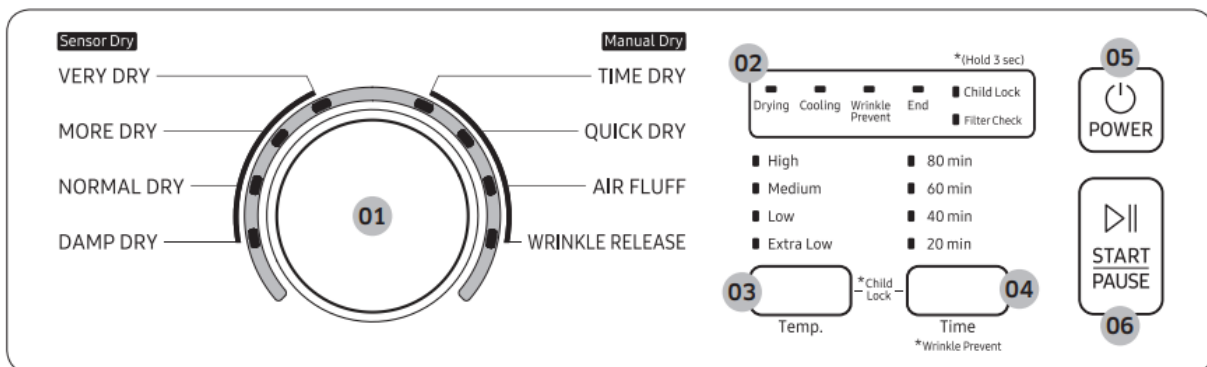
1. Turn off the dryer.
2. Open the door, and pull out the lint filter (A) from inside the drum.
3. Remove the lint that has accumulated, and then clean the lint filter.
4. Reinsert the lint filter, and then close the door.

CAUTION:

- Do not operate the dryer without the lint filter in place.
- Do not use a damaged or broken lint filter. This may reduce performance and/or cause a fire.

Operations

Control panel



01. Cycle Selector



Turn the cycle selector to select the desired cycle. When a cycle is selected, the cycle indicator lights up.

02. Digital Graphic

Display Displays the current process and the on/off status of the additional function.

03. Temp.

Press to change the temperature for the TIME DRY and WRINKLE RELEASE cycles. You can select from 3-4 different options. Please select the appropriate temperature depending on the items in the load.

- High: For sturdy cottons or those labeled Tumble Dry.
- Medium: For permanent press, synthetics, light cotton, or items labeled Tumble Dry Medium.
- Low: For heat sensitive items labeled Tumble Dry Low or Tumble Dry Warm.
- Extra Low: Provides the lowest heated drying temperature possible.

04. Time

Press to adjust the drying time for the Manual Dry cycles. This option is not available with the Sensor Dry cycles because the dryer determines the drying time by sensing the current moisture level of the load.

* Wrinkle Prevent

Wrinkle Prevent provides approximately 180 minutes of intermittent tumbling in unheated air at the end of the cycle to reduce wrinkling. Press and hold Time for 3 seconds to activate this feature. The load is dry, and can be removed at any time during the Wrinkle Prevent cycle.

05. POWER

Press to turn on or off the dryer

06. START/PAUSE

Press to start or stop operation.

NOTE: Extremely tangled items finished by the washer may degrade the drying efficiency or cause the door to open. We recommend that you untangle the items before drying.

Simple steps to start

1. Press POWER to turn on the dryer.
2. Turn the Cycle Selector to select a cycle.
3. Change the cycle settings (Temp. and Time) as necessary.
4. Optionally, you can activate options available by pressing the relevant button (Wrinkle Prevent).

5. Press START/PAUSE.

To change the cycle during operation

1. Press START/PAUSE to stop operation.
2. Select a different cycle.
3. Press START/PAUSE again to start the new cycle.

Cycle overview

Sensor Dry

Sensor Dry cycles sense moisture in the load and stop the dryer when the load reaches the dryness level you have selected.

Cycle	Description
VERY DRY	Use this cycle to dry large or bulkier fabrics
MORE DRY	Use this cycle to dry large or bulkier fabrics.
NORMAL DRY	For most fabrics, including cotton and linens.
DAMP DRY	Damp dry is designed to partially dry items. Use this cycle for flat by hanger or ironing.

Manual Dry




You can manually select the drying settings to your preference.

Cycle	Description
TIME DRY	You can specify a cycle time in minutes.
QUICK DRY	A quick drying cycle that runs for 40 minutes. The default cycle time is 40 minutes. However, you may manually change the cycle time if necessary.
AIR FLUFF	Tumbles the load in room temperature air.
WRINKLE RELEASE	The WRINKLE RELEASE cycle will release wrinkles from items that are clean, dry, and only slightly wrinkled, such as clothes from a crowded closet, suitcase, or items that have been in the dryer too long after the cycle has ended. WRINKLE RELEASE can be used with any temperature selection.

Cycle chart

NOTE:

For best results, follow the load size recommendations for each dry cycle.

- 
 Large load: Fill the drum to about 3/4 full. Do not add items over this level as they need to tumble freely.
- 
 Medium load: Fill the drum to about 1/2 full.
- 
 Small load: Fill the drum with 3-5 items, not more than 1/4 full

Cycle		Recommended Item	Max Load Size	Temp Control	Option
Sensor Dry	VERY DRY MORE DRY NORMAL DRY DAMP DRY	Heavy Fabrics such as jeans, corduroys, heavy work clothes		High	Wrinkle Prevent Child Lock
		Cotton, Work clothes, Linen, Mixed Loads		Medium (default)	Wrinkle Prevent Child Lock
		Shirts, Synthetic Fabrics, Knits, Wrinkle-free cotton, Permanent press fabrics		Low	Wrinkle Prevent Child Lock
		Underwear, Blouses, Lingerie		Extra Low	Wrinkle Prevent Child Lock
Manual Dry	TIME DRY	Any load		High (adjustable)	Time Wrinkle Prevent Child Lock
	QUICK DRY	Small loads		High	Time Wrinkle Prevent Child Lock
	AIR FLUFF	Foam, Rubber, Plastic		-	Time Wrinkle Prevent Child Lock
	WRINKLE RELEASE	Shirts, Trouser, Blouses		Medium (adjustable)	Time Wrinkle Prevent Child Lock

NOTE ●: factory setting, ●: can be selected

Cycle		Temperature setting				Time setting	Wrinkle Prevent
		High	Medium	Low	Extra Low		
Sensor Dry	VERY DRY	●	●	●	●	-	●
	MORE DRY	●	●	●	●	-	●
	NORMAL DRY	●	●	●	●	-	●
	DAMP DRY	●	●	●	●	-	●
Manual Dry	TIME DRY	●	●	●	●	●	●
	QUICK DRY	●	-	-	-	●	●
	AIR FLUFF	-	-	-	-	●	●
	WRINKLE RELEASE	-	●	●	●	●	●

Cycle guide

The best way to dry items is to follow the instructions on the care label. If no drying instructions are provided, see the following table for reference.

Cycle	Description
Bedspreads & Comforters	<p>Follow the care label instructions.</p> <p>Make sure the item is thoroughly dry before using or storing.</p> <p>May require repositioning in the drum to ensure even drying.</p>
Blankets	<p>Use NORMAL and dry only one blanket at a time for the best tumbling action.</p> <p>Make sure blankets are is thoroughly dry before using or storing.</p>
Curtains & Draperie	<p>Use the low temperature to help minimize wrinkling.</p> <p>Dry curtains and draperies in small loads for the best results and remove them as soon as possible.</p>
Cloth Diapers	<p>Use NORMAL and the Medium temperature setting for soft, fluffy diapers.</p>
Down-filled Items (jackets, sleeping bags, comforters, etc.)	<p>Use NORMAL and the Medium temperature setting.</p> <p>Add a couple of dry towels to absorb moisture and shorten drying time.</p>
Foam Rubber (rug backs, stuffed toys, shoulder pads, etc.)	<p>Do not dry on a heat setting.</p> <p>WARNING: Drying a rubber item with heat may damage it or cause a fire.</p>
Pillows	<p>Use NORMAL.</p> <p>Add a couple of dry towels and a pair of clean sneakers to help the tumbling action and to fluff the items.</p> <p>Do not dry kapok or foam pillows using a heated drying cycle.</p>



Plastics (shower curtains, outdoor furniture covers, etc.)	Use TIME DRY and the Low or Extra Low temperature settings depending on the care label instructions.
--	--

Special features

Child Lock

Child Lock prevents children from playing with the dryer. When Child Lock is activated, all buttons except for the POWER button are disabled.

To activate/deactivate Child Lock:

Simultaneously press and hold Temp. and Time for 3 seconds.

NOTE: Once Child Lock is activated, it will remain active even after you restart the dryer. If other buttons, except for the POWER button, do not respond, check the Child Lock indicator. If the indicator is on, follow the instructions above to turn Child Lock off.

Maintenance

Keep the dryer clean to prevent decreased performance and to lengthen its life cycle.

WARNING: Certain internal parts are intentionally not grounded and may present a risk of electric shock only during servicing.

Service Personnel - Do not contact the following parts while the appliance is energized: Control board and inlet valve.

Cleaning

Control panel

- Clean with a soft, damp cloth. Do not use abrasive substances.
- Do not spray liquid cleaning agents directly on the display of the dryer.
- Soil and stain removers may damage the control panel.
- When using liquid cleaning agents, apply them to the cleaning cloth. Do not apply them directly to the dryer. Wipe up any spills or overspray immediately.

Drum

- Remove any stains from the drum with an all-purpose cleaner.
- Tumble old towels or rags to remove any remaining stains or cleaning substances. Stains may still be visible but will not affect subsequent loads.

Powder coated drum

To clean the powder coated drum, use a damp cloth with a mild, non-abrasive cleaner suitable for easily marred surfaces. Remove cleaner residue and dry with a clean cloth.

Dryer exterior

- Clean with a soft, damp cloth. Do not use abrasive substances.
- Protect the surface from sharp objects.
- Do not place any heavy or sharp objects or a detergent container on the dryer. They can scratch or damage the top cover of the dryer.
- The dryer has a high-gloss finish on the entire surface. Be careful not to scratch or damage the surface.

Exhaust system

- Check and clean the exhaust system on a yearly or regular basis to maintain optimum performance.
- The external exhaust hood must be cleaned more frequently to ensure proper airflow.

Troubleshooting

Checkpoints

If the dryer operates abnormally, first check the list of problems in the table below and try the suggested actions.

Problem	Action
The dryer does not work.	<p>Make sure the door is latched shut.</p> <p>Make sure the power cord is plugged into a live electrical outlet.</p> <p>Check your home's circuit breakers or fuses.</p> <p>Press or tap START/PAUSE again if the door is opened during a cycle.</p> <p>Clean the lint filter.</p>
The dryer does not heat.	<p>Check your home's circuit breakers or fuses.</p> <p>Some cycles do not require heat. Check the selected cycle again.</p> <p>For a gas dryer, make sure the gas supply is on.</p> <p>Clean the lint filter and exhaust duct.</p> <p>The dryer may have moved into the cool-down phase of the cycle.</p> <p>Turn off the Eco Dry option for the NORMAL or TIME DRY cycles. When the Eco Dry option is on, the dryer performs an air dry process at the beginning of the cycle to reduce energy consumption. The air dry process does not use heated air, so you may feel that the dryer is not being heated, but this is normal. (applicable models only)</p>
The dryer does not dry.	<p>Check the actions for "The dryer does not run" and "The dryer does not heat" sections.</p> <p>Make sure the exhaust hood outside your home can open and close freely.</p> <p>Check the exhaust system for lint buildup. Ducting should be inspected and cleaned annually.</p> <p>Use a 4" rigid metal exhaust duct.</p> <p>Do not overload. 1 wash load = 1 dryer load.</p> <p>Dry heavy items and light items separately.</p> <p>Large, bulky items, such as blankets or comforters, may require repositioning to ensure even drying.</p>



	<p>The load may be too small to tumble properly. Add a few towels and restart the dryer.</p> <p>The load may be too large to tumble properly. Remove some items and restart the dryer.</p> <p>Clean the lint filter.</p>
The dryer is noisy	<p>Check the load for objects such as coins, loose buttons, nails, etc. Remove promptly.</p> <p>It is normal to hear the dryer gas valve or heating element cycle on and off during the drying cycle.</p> <p>Make sure the dryer is leveled as outlined in the installation instructions.</p> <p>It is normal for the dryer to hum due to the high velocity of air moving through the dryer drum, fan, or exhaust system.</p>
Items are unevenly dried.	<p>Seams, pockets, and other similarly heavy areas may not be completely dry when the rest of the load has reached the selected dryness level. This is normal. You can choose a higher dryness level or a cycle that involves a higher dryness level.</p> <p>If one heavy item is dried with a light load, such as one towel with sheets, the heavy item might not be completely dry when the rest of the load has reached the selected dryness level.</p> <p>For the best drying results, dry heavy items and light items separately</p>
The dryer smells.	<p>Household odors from paint, varnish, strong cleaners, etc. may enter the dryer with the surrounding room air. This is normal as the dryer draws the air from the room, heats it, pulls it through the drum, and exhausts it outside.</p> <p>When these odors linger in the air, completely ventilate the room before using the dryer.</p> <p>Use a cycle featuring the Refresh function. If odors persist, wash and dry the item again.</p>
There is lint on clothes.	

	<p>Make sure to clean the lint filter before every load. For clothes that naturally build up lint, clean the filter during the cycle.</p> <p>Some fabrics are lint producers (for example, a fuzzy white cotton towel) and they must be dried separately from clothes that are lint trappers (for example, a pair of black linen pants).</p> <p>Divide larger loads into smaller loads for drying.</p> <p>Check pockets thoroughly before drying, then dry clothes.</p> <p>Remove lint inside the drum before drying.</p>
Items are still wrinkled after WRINKLE PREVENT (WRINKLE-CARE, WRINKLE RELEASE) process.	<p>Small loads of 1 to 4 items work best.</p> <p>Load fewer items. Load similar-type items.</p> <p>Take out the items immediately after drying is complete.</p>
Water drips from the nozzle when STEAM CARE starts.	<p>This is steam condensation. The dripping water will stop after a short time.</p>
Sprayed water is not visible during STEAM CARE.	<p>Sprayed water is difficult to see when the door is closed</p>
Drying takes too long.	<p>Sensor Dry automatically senses the moisture in the load and shuts the dryer off when the selected dryness level is reached.</p> <p>The drying time can change according to the type and amount of laundry. See the cycle chart for reference.</p>

Information codes

An information code is displayed with the temperature and time LEDs. First, all eight LEDs turn on, followed by one or two LEDs blinking. Check the following tables for their meanings.

Check code	Temp.				Time (min.)			
	Extra Low	Low	Medium	High	20	40	60	80
DC				○				
AC			○					
BC2		○						
TC2	○							
DF						○		
HC							○	
9C1								○
FC	○				○			

Information code display	Meaning	Solution
DC	Running the dryer with door open.	Close the door and then restart. If the problem continues, call for service.
AC	Electronic Control Problem (Invalid Communication).	Call for service.
BC2	Electronic Control Problem (Button Key Input Check).	Call for service.
TC	The thermistor resistance is very low or high.	Clean the screen or vent. If the problem continues, call for service.
DF	Invalid door.	Call for service.
HC	Invalid heating Temp in running the dryer.	Call for service.
9C1	Electronic Control Problem (Invalid Voltage).	Call for service.
FC	Invalid power source Frequency.	Try restarting the cycle. If the problem continues, call for service.
3C	The PBA needs to be checked.	Unplug the power plug and contact a Samsung service center.

Warning

This content is compiled from multiple sources and is provided for reference purposes only. It may not be complete or fully applicable to all situations. If you are unable to resolve your issue, please contact the product manufacturer or an authorized service provider for official support.

Document generated by [ManualsFile](#)