

## Accessory information

### Supplied accessories

Accessory item/Part number	Quantity
Charger* *1	1
Rechargeable batteries/HHR-4DPA	2
Handset cover*2, *3	1

\*1 PNLC1077ZB (Black), PNLC1077ZW (White)

\*2 The handset cover comes attached to the handset.

\*3 PNYNTGDA50BR (Black), PNYNTGDA50WR (White)

**Note:** Please read the base unit's operating instructions for additional/replacement accessories.

## For your safety

### Power connection

- Completely insert the AC adaptor/power plug into the power outlet. Failure to do so may cause electric shock and/or excessive heat resulting in a fire.
- Regularly remove any dust, etc. from the AC adaptor/power plug by pulling it from the power outlet, then wiping with a dry cloth. Accumulated dust may cause an insulation defect from moisture, etc. resulting in a fire.
- Unplug the product from power outlets if it emits smoke, an abnormal smell, or makes an unusual noise. These conditions can cause fire or electric shock.

### Installation

- To prevent severe injury and loss of life/property, read this section carefully before using the product to ensure proper and safe operation of your product.
- Do not place or use this product near automatically controlled devices such as automatic doors and fire alarms. Radio waves emitted from this product may cause such devices to malfunction resulting in an accident.

## CAUTION- Installation and location

- The AC adaptor is used as the main disconnect device. Ensure that the AC outlet is installed near the product and is easily accessible.

## Battery

- We recommend using the supplied batteries or additional/replacement batteries noted on page 2 for replacement battery information. USE ONLY rechargeable Ni-MH batteries AAA (R03) size.
- Do not mix old and new batteries.
- Do not open or mutilate the batteries. Released electrolyte from the batteries is corrosive and may cause burns or injury to the eyes or skin. The electrolyte is toxic and may be harmful if swallowed.
- Exercise care when handling the batteries. Do not allow conductive materials such as rings, bracelets, or keys to touch the batteries, otherwise a short circuit may cause the batteries and/or the conductive material to overheat and cause burns.
- Charge the batteries provided with or identified for use with this product only, in accordance with the instructions and limitations specified in this manual.
- Only use a compatible base unit (or charger) to charge the batteries. Do not tamper with the base unit (or charger). Failure to follow these instructions may cause the batteries to swell or explode.

## Attention:



A nickel metal hydride battery that is recyclable powers the product you have purchased.

Please call 1-800-8-BATTERY (1-800-822-8837) for information on how to recycle this battery.

## Important safety instructions

When using your product, basic safety precautions should always be followed to reduce the risk of fire, electric shock, and injury to persons, including the following:

1. Do not use this product near water for example, near a bathtub, washbowl, kitchen sink, or laundry tub, in a wet basement or near a swimming pool.
2. Do not use the telephone to report a gas leak in the vicinity of the leak.

3. Use only the power cord and batteries indicated in this manual. Do not dispose of batteries in a fire. They may explode. Check with local codes for possible special disposal instructions.

SAVE THESE INSTRUCTIONS

## Other information

- Operating the product near electrical appliances may cause interference. Move away from the electrical appliances.

**CAUTION:** Risk of explosion if battery is replaced by an incorrect type. Dispose of used batteries according to the instructions.

### Routine care

- Wipe the outer surface of the product with a soft moist cloth.
- Do not use benzine, thinner, or any abrasive powder.

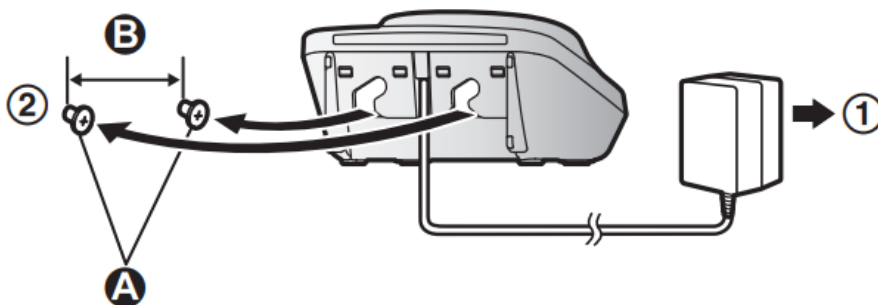
### Notice for product disposal, transfer, or return

- This product can store your private/confidential information. To protect your privacy/confidentiality, we recommend that you erase information such as phonebook or caller list entries from the memory before you dispose of, transfer, or return the product.

## Setting up

### Connections/Wall mounting

1. Connect the AC adaptor to the power outlet.
2. Drive the screws (A) (not supplied) into the wall, if necessary.
  - B 27.2 mm (1 1/16 inches)



### Note:

- The AC adaptor must remain connected at all times. (It is normal for the adaptor to feel warm during use.)

- Make sure that the wall and the fixing method are strong enough to support the weight of the unit.

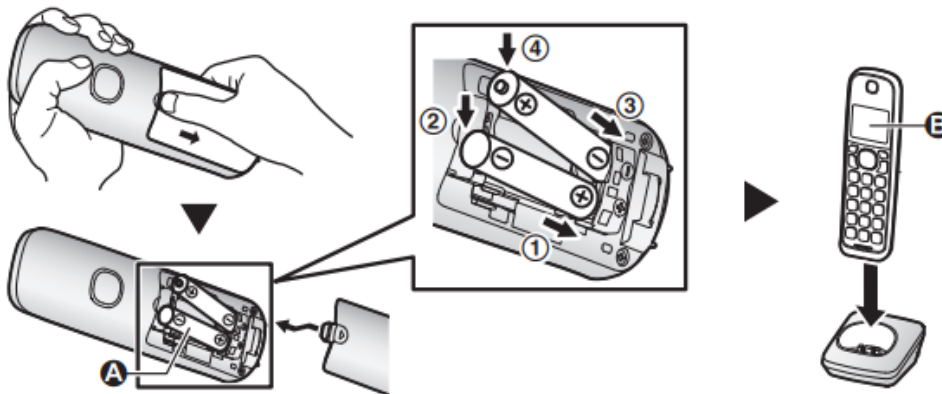
## Battery installation/Battery charging

### Important:

- Use the supplied rechargeable batteries. For replacement, we recommend using the Panasonic rechargeable batteries noted on page 2.
- USE ONLY rechargeable Ni-MH batteries AAA (R03) size (A).
- Do NOT use alkaline/manganese/Ni-Cd batteries.
- Confirm correct polarities ( $\oplus$ ,  $\ominus$ ).

### Charge for about 7 hours.

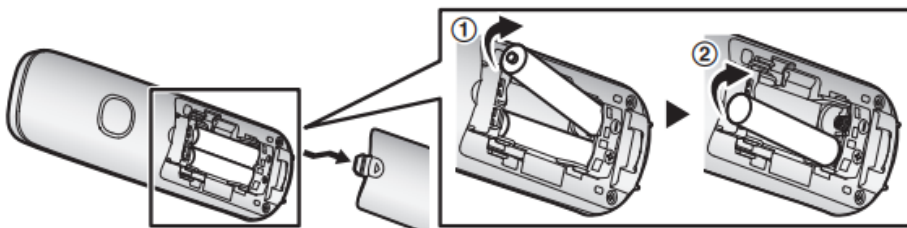
- Confirm “**Charging**” is displayed (B).
- When the batteries are fully charged, “Fully charged” is displayed.



### Note:

If the batteries are fully charged, but the operating time seems to be shorter, clean the battery ends ( $\oplus$ ,  $\ominus$ ) and the charge contacts with a dry cloth and charge again.




### Removing the battery



## Handset key print

For the following function, the key prints are different for the supplied handset and optional handset.

- **KX-TGDA51: For KX-TGD510/KX-TGD530 series users**

	Function	Supplied handset	Optional handset (KX-TGDA51)
	Flash	[FLASH]	[  ]*1/[FLASH]
	Call waiting	[CALL WAIT]	[  ]*1/[FLASH]

\*1The remote voice assist feature is only available for KX-TGD560 series.


## Registering a handset to a base unit

### 1 Base unit:


Press and hold [LOCATOR] for about 5 seconds.

- If all registered handsets start ringing, press [LOCATOR] again to stop, then repeat this step.

### 2 Handset:


Place the handset on the base unit or charger, then wait until a long beep sounds and  is displayed.

#### Note:

- If an error tone sounds, or if  is displayed, register the handset according to the base unit's operating instructions.

## Display language

1 [MENU] **# 1 1 0**

2 : Select the desired setting. → [SAVE] → [OFF]

## FCC and other information

This equipment is hearing aid compatible as defined by the FCC in 47 CFR Section 68.316.

When you hold the phone to your ear, noise might be heard in your Hearing Aid. Some Hearing Aids are not adequately shielded from external Rf (radio frequency) energy. If noise occurs, use an optional headset accessory or the speakerphone option (if applicable) when using this phone.

Consult with your audiologist or Hearing Aid manufacturer about the availability of Hearing Aids which provide adequate shielding to RF energy commonly emitted by digital devices.

**WHEN PROGRAMMING EMERGENCY NUMBERS AND(OR) MAKING TEST CALLS TO EMERGENCY NUMBERS:**

1. Remain on the line and briefly explain to the dispatcher the reason for the call.
2. Perform such activities in the off-peak hours, such as early morning or late evenings.

This device complies with Part 15 of the FCC Rules. Operation is subject to the following two conditions:

1. This device may not cause harmful interference, and (2) this device must accept any interference received, including interference that may cause undesired operation.

Privacy of communications may not be ensured when using this phone.

**CAUTION:**

Any changes or modifications not expressly approved by the party responsible for compliance could void the user's authority to operate this device.

**NOTE:**

This equipment has been tested and found to comply with the limits for a Class B digital device, pursuant to Part 15 of the FCC Rules. These limits are designed to provide reasonable protection against harmful interference in a residential installation. This equipment generates, uses, and can radiate radio frequency energy and, if not installed and used in accordance with the instructions, may cause harmful interference to radio communications. However, there is no guarantee that interference will not occur in a particular installation. If this equipment does cause harmful interference to radio or television reception, which can be determined by turning the equipment off and on, the user is encouraged to try to correct the interference by one or more of the following measures:

- Reorient or relocate the receiving antenna.
- Increase the separation between the equipment and receiver.
- Connect the equipment into an outlet on a circuit different from that to which the receiver is connected.
- Consult the dealer or an experienced radio/TV technician for help.

**FCC RF Exposure Warning:**

- This product complies with FCC radiation exposure limits set forth for an uncontrolled environment.
- This handset may not be collocated or operated in conjunction with any other antenna or transmitter.

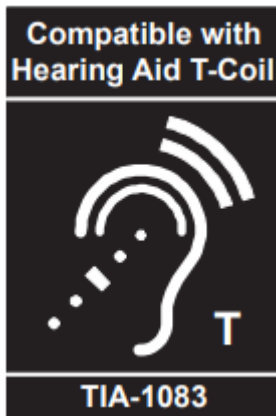


- For body-worn operation, the handset must be used only with a non-metallic accessory. Use of other accessories may not ensure compliance with FCC RF exposure requirements.

**Notice:**

- FCC ID can be found inside the battery compartment or on the bottom of the unit.

**Compliance with TIA-1083 standard**



Telephone handsets identified with this logo have reduced noise and interference when used with T-Coil equipped hearing aids and cochlear implants. \* •

**Notice:**

- This product is designed for use in the United States of America. Sale or use of this product in other countries may violate local laws.

**Warning**

This content is compiled from multiple sources and is provided for reference purposes only. It may not be complete or fully applicable to all situations. If you are unable to resolve your issue, please contact the product manufacturer or an authorized service provider for official support.