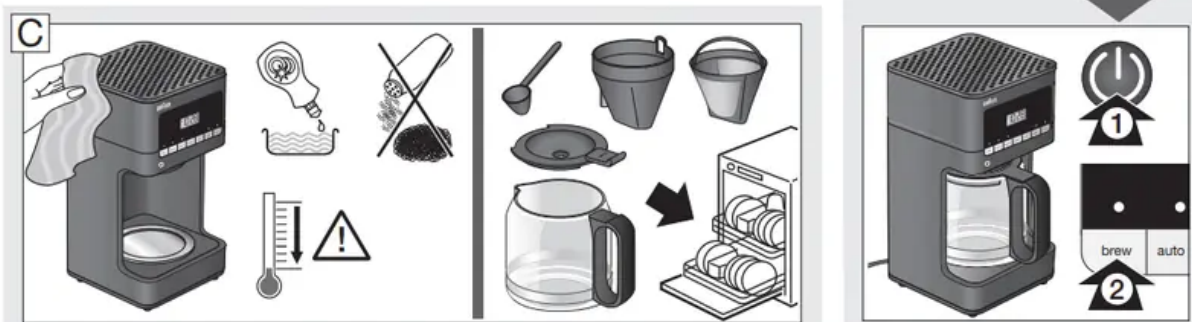
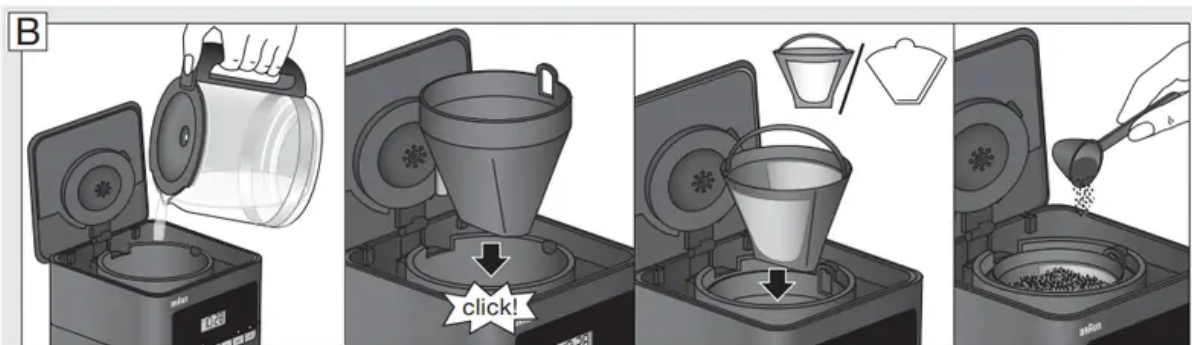
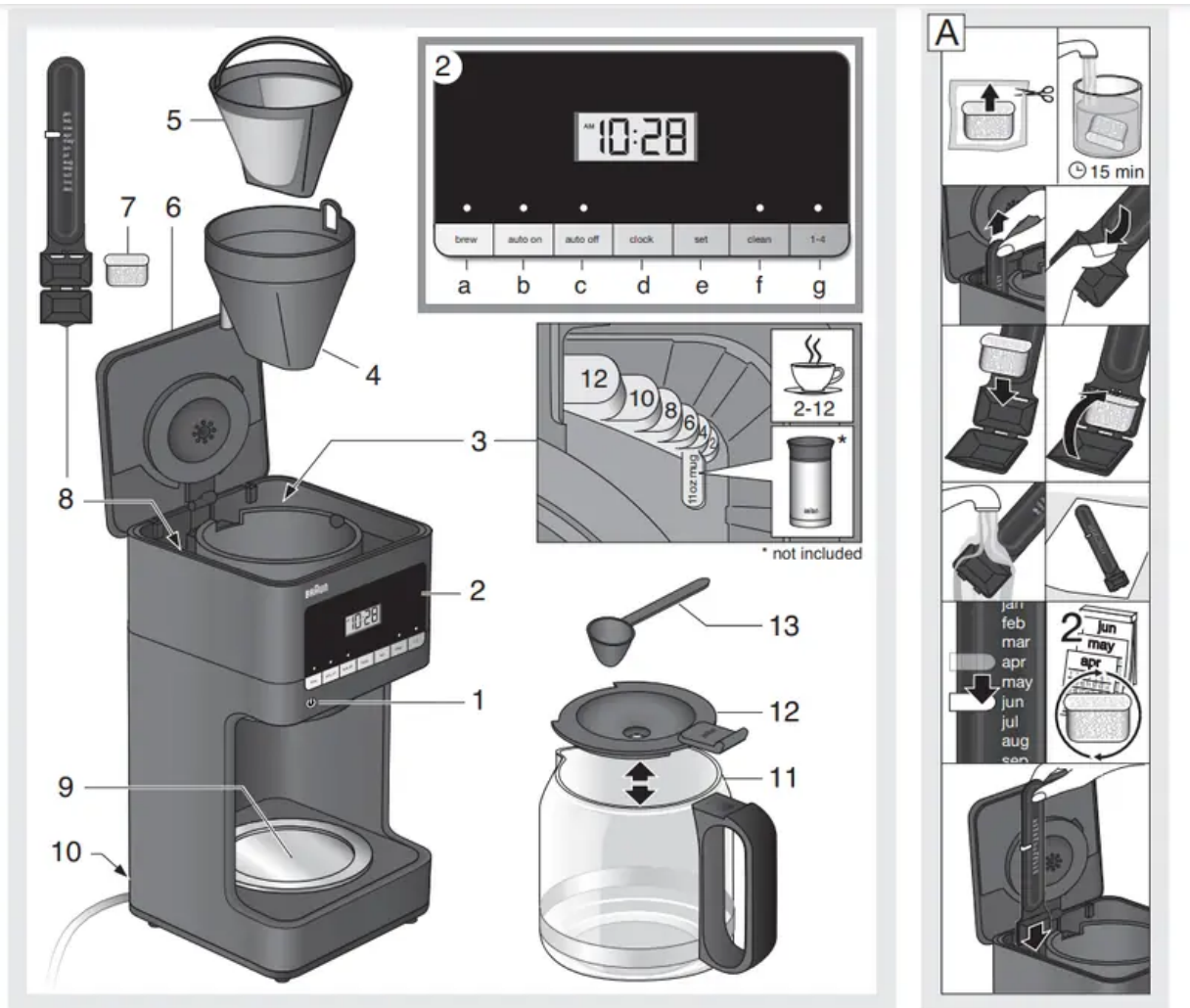


# Instructions Coffee maker



## Before Use

Please read instructions carefully and completely before using the appliance.

### Description of Parts and Accessories

1. On/Off button
2. LED control panel and clock
3. Water reservoir incl. water level indicator (inside)
4. Filter basket with anti-drip system
5. Gold tone permanent filter
6. Reservoir cover and showerhead
7. Charcoal water filter
8. Charcoal water filter holder
9. Keep warm plate
10. Cord storage
11. Glass carafe
12. Flip lid (glass carafe)
13. Coffee measuring scoop

Maximum water capacity: 12 cups (60 fl. oz.)

### LED Control Panel

- a. BREW: Use to start the brew and keep warm cycles.
- b. AUTO ON: Use to program the start time of the brew cycle. The AUTO ON time can be set for any time, day or night. «PM» is displayed on the LED for nighttime program times.
- c. AUTO OFF: Use to program the shut off time of the coffee maker.
- d. CLOCK: Displays time of day and use to set time for automatic functions (auto on and auto off times).
- e. SET: Use to program the time of day, auto on, auto off times and water hardness level.
- f. CLEAN: Use to activate the descaling mode and set the water hardness level.
- g. 1-4: Use to brew smaller amounts of coffee (up to 4 cups).

# OPERATING INSTRUCTIONS

## Installing the Charcoal Water Filter (A)

- Use of the charcoal water filter is optional, but strongly recommended. The filter eliminates chlorine, bad tastes and odors from tap water. The coffee maker will operate normally without it.
- Replacement water filters can be purchased in stores, through the Braun website, or by calling Customer Service.
  - Remove the charcoal water filter (7) from polybag and soak in cold tap water a minimum of 15 minutes.
  - Remove the charcoal water filter holder (8) from the coffee maker by lifting it out of the water reservoir (3).
  - Gently press down the stem and pull toward you. Compartment will flip open.
  - Place the charcoal water filter in the water filter holder and close it; you will hear a snap indicating it is in place.
  - Hold the filter under cold running tap water for 10 seconds to flush. You should place the hole openings directly under the water stream.
  - Allow the filter to drain completely.
  - Position the green indicator to the month you installed the charcoal water filter. We recommend changing the charcoal water filter every 2 months, more often if you have hard tap water.
  - Replace the charcoal water filter holder in the water reservoir of the coffee maker, pushing it all the way down to the base of the unit, along the reservoir wall.
- NOTE: Caution must be used when inserting the charcoal water filter. Improper placement in the water filter holder can cause tearing of the filter skin.

## Switching On/Off

- To switch on the coffee maker, press the On/Off button (1). The green indicator light will illuminate indicating that the coffee maker is in «ready» mode.
- To switch off the coffee maker, press the On/Off button again. The green indicator light will turn off indicating that the coffee maker is in «stand by» mode.

## Programming the Coffee Maker

- NOTE: The coffee maker features a 60-second power loss back-up system that remembers all programmed information, including time of day and auto on/off times in the event of a tripped breaker, unit is unplugged, or power failure

## Setting the Time

- When the coffee maker is first plugged in or when power is restored after an interruption, the LED control panel will start flashing 2:00 AM.
  - To set the hour, press the CLOCK button (d) for a minimum of 3 seconds. The LED control panel will start flashing.
  - Press and hold the SET button (e) to scroll through the numbers. Release the button once the desired hour is displayed.
  - To set the minutes, press the CLOCK button. The LED control panel will start flashing.
  - Press and hold the SET button to scroll through the numbers. Release the button once the desired minutes is displayed.
  - Press the CLOCK button again to save the desired time.
  - If during the setting process no button is pressed for 10 seconds, the time currently set will be saved.
- NOTE: When the number count passes 12, the PM light will be displayed on the LCD.
- Before programming, always switch on the coffee maker.

## Programming and Activating the AUTO ON Time

- Press the AUTO ON button (b) for a minimum of 3 seconds.
- The hours in the LED panel will start flashing.
- To set the hour, press the CLOCK button (d) for a minimum of 3 seconds. The LED control panel will start flashing.
- Press and hold the SET button (e) to scroll through the numbers. Release the button once the desired hour is displayed.
- To set the minutes, press the AUTO ON button. The minutes in the LED control panel will start flashing.
- Press and hold the SET button to scroll through the numbers. Release the button once the desired minutes is displayed.
- Press the AUTO ON button again to save the desired time.
- The pre-set auto on time will disappear after 3 seconds and the time of day will show on the LED control panel.
- If during the setting process no button is pressed for 10 seconds, the auto on time currently set will be saved. This function can only be activated if the auto on time and the time of the day have been set.

To activate the AUTO ON function:

- Press the AUTO ON button (b). The green LED above the button will illuminate and the coffee maker will start to brew at the pre-set auto on time.
- The pre-set auto on time disappears after 3 seconds.
- When the appliance starts brewing, the green LED BREW will continually flash and the LED AUTO ON turns off.
- Press the AUTO ON button (b) again to switch off the function: the green LED light will disappear.

NOTE: The AUTO ON function remains activated even when the appliance has been switched off (1).

### **Programming and Activating the AUTO OFF Time**

- The auto off time can be set in 5 minute intervals, anywhere from 15 minutes to 5 hours. The default setting is 2 hours.
- Press the AUTO OFF button (c) for a minimum of 3 seconds. • The default setting (2 hours) will start flashing.
- Press and hold the SET button (e) to scroll through the numbers. Time displayed is in 5 minute intervals.
- Press the AUTO OFF button again to save the desired time.
- The pre-set auto off time will disappear after 3 seconds and the time of day will show on the LED control panel.
- If during the setting process no button is pressed for 10 seconds, the auto off time currently set will be saved. This function can only be activated if the auto off time has been set.

To activate the AUTO OFF function:

- Press the AUTO OFF button (c): the green LED above the button will illuminate and the coffee maker stops keeping warm at the pre-set auto off time (min. 15 minutes / max. 5 hours).
- The pre-set auto off time disappears after 3 seconds.
- Press the AUTO OFF button (c) to switch off the function: the green LED light disappears.

For your additional safety, the appliance will switch off automatically 2 hours after the brewing cycle is complete if the AUTO OFF function has not been activated.

### **Setting the Water Hardness Level**

Set the water hardness level on the coffee maker to the water hardness level for your local area.

- Press the CLEAN button (f) for a minimum of 3 seconds.

- The default setting (h3) will start flashing.
- Press the SET button (e) to scroll through the options (h1 = soft, h2 = normal, h3 = hard) and select the appropriate water hardness level.
- Press the CLEAN button again to save the hardness level.
- The pre-set water hardness disappears after 3 seconds and the time of day will show on the LED control panel.

### **1 – 4 Cups Setting**

- Press the «1-4» button (g). The green LED above the button will illuminate.
- Press BREW (a) to start brewing.
- The green LED turns off after the brewing cycle is finished.

### **Making Coffee (B)**

Before using the coffee maker for the first time, after a long period of not using it, or after installing a new charcoal water filter, run the coffee maker through a complete brew cycle without ground coffee. Use a full carafe (12 cups) of fresh cold water. This will remove any dust from the manufacturing process or residues that have remained in the unit.

- Open the reservoir cover (6).
- When filling the water reservoir (3) with fresh cold water, refer to the carafe height markings or the water level indicator (inside the water reservoir) and fill to the desired number of cups.
- To prepare the exact amount of coffee for the Braun Mug2Go (available separately as accessory), fill to the corresponding water mark (11 oz.) inside the reservoir.
- Insert the gold tone permanent filter (5) or a paper filter (cone type # 4) in the filter basket (4).
- Add the desired amount of ground coffee, corresponding to the number of cups being brewed. We recommend using 1 tablespoon or 1 coffee scoop of ground coffee per cup, but use more or less to suit your taste.
- Close the water reservoir and place the carafe in its position on the keep warm plate (9).
- Plug the cord into an electrical outlet and press the On/Off button (1).
- Press the BREW button (a) to start brewing immediately or press AUTO ON (b) to commence brewing at the pre-set time.
- During brewing, the indicator light will flash continuously. Once the brewing cycle is complete, the light will turn solid green indicating the coffee maker is in «keep warm» mode.

NOTE: The anti drip system halts the flow of coffee from the filter basket when the carafe is removed, so a cup can be poured before brewing is finished. The carafe should be returned to the keep warm plate (maximum 20 seconds) to prevent the filter basket from overflowing.

### **For Best Results**

Be sure to add a small amount of extra water to account for the amount of water lost in wetting the grounds and through evaporation during the brewing process.

- When using paper filters, be sure that it is completely open and fully inserted in the basket. It may help to fold and flatten the seams of the paper filter beforehand.
- Once the coffee has finished brewing, stir it before serving to blend the flavors. The coffee at the bottom of the carafe will be somewhat stronger than the coffee at the top.

NOTE: The maximum amount of ground coffee the coffee maker can take is 15 scoops or tablespoons. Exceeding this amount may cause overflow if the coffee is too finely ground.

### **Descaling**

- For the best performance from your Braun coffee maker, descale the unit when the LED CLEAN (f) lights up solid green. This indicates it is time to descale your coffee maker.
- To set water hardness, see «Setting the Water Hardness Level».
- The removal of built-up calcium deposits from the water reservoir will help extend the life of your coffee maker and keep your coffee tasting great. Frequency will depend upon the hardness of your tap water and how often you use the coffee maker.
- You can use a commercially available descaling agent that is safe to use on aluminum. We recommend using the Braun Descaling Solution (can be purchased in stores, through the Braun website, or by calling Customer Service).
- NOTE: For your convenience, the cleaning cycle is automatic. The entire cleaning cycle including rinsing can take up to 45 minutes to complete.
  - Remove the charcoal water filter holder (8) including the charcoal water filter (7) and the gold tone permanent filter (5).
  - Follow package instructions on the descaling agent.
  - Place the empty carafe in its position on the keep warm plate (9).
  - Press the CLEAN button (f). The green LED above the button will start flashing.
  - Press BREW (a) to start the descaling program, while the green LED is still flashing. Once the descaling process has started, it is not possible to stop the program until finished.
  - When the descaling program has been completed, the green LED will turn off.
  - Discard the cleaning solution and rinse the carafe thoroughly with clean water.

- Fill the water reservoir with a full carafe (12 cups) of clean, fresh water. Run the coffee maker through two complete brew cycles to flush the unit after descaling. Use a full carafe of fresh cold water each time.
- Repeat the procedure as many times as necessary in order to reduce the brewing time per cup to a normal level.

## **Cleaning and Maintenance (C)**

- Always turn coffee maker off and remove the plug from the electrical outlet before cleaning.
- Lift up the reservoir cover. Remove the gold tone permanent filter and discard the ground coffee.
- Remove the carafe from the keep warm plate and discard any remaining coffee.
- The filter basket, gold tone permanent filter, carafe and lid can be washed in warm, soapy water and rinsed thoroughly, or cleaned in the upper rack of the dishwasher. Dry all parts after use.
- Do not use any scouring agents or harsh cleansers on any part of the coffee maker.
- Never immerse the unit in water or other liquids.
- To clean base, simply wipe with a clean, damp cloth and dry before storing.
- Do not put any water in the unit once the filter basket has been removed. Wipe the area under the filter basket with a damp cloth.
- Fingerprints and other blemishes on the housing can be wiped off with soap and water or a non-abrasive cleaning solution.
- Do not dry the inside of the water reservoir with a cloth, as lint may remain.

Both the design specifications and these user instructions are subject to change without notice. Do not dispose the product in household waste at the end of its useful life.

# Troubleshooting



<b>Problem</b>	<b>Ptential Causes</b>	<b>Solution</b>
The ON/OFF switch does not light up	<ul style="list-style-type: none"> <li>• The appliance is unplugged</li> <li>• There was a power outage</li> <li>• ON/OFF button was not pressed</li> </ul>	<ul style="list-style-type: none"> <li>• Plug unit in</li> <li>• Wait for power to be restored</li> <li>• Press ON/OFF button</li> </ul>
Display does not show a time	<ul style="list-style-type: none"> <li>• The appliance is unplugged</li> <li>• There was a power outage</li> </ul>	<ul style="list-style-type: none"> <li>• Plug unit in</li> <li>• Wait for power to be restored</li> </ul>
Display flashes «2:00 AM»	Initial operation or there was a power outage	Set clock
It is not possible to set the AUTO ON time	<ul style="list-style-type: none"> <li>• ON/OFF button was not pressed</li> <li>• Clock has not been set</li> </ul>	<ul style="list-style-type: none"> <li>• Press ON/OFF button</li> <li>• Set clock time</li> </ul>
It is not possible to activate the AUTO ON time	<ul style="list-style-type: none"> <li>• ON/OFF button was not pressed</li> <li>• AUTO ON time has not been set</li> </ul>	<ul style="list-style-type: none"> <li>• Press ON/OFF button</li> <li>• Set AUTO ON time</li> </ul>
It is not possible to change the AUTO OFF time	<ul style="list-style-type: none"> <li>• ON/OFF button was not pressed</li> <li>• Clock has not been set</li> </ul>	<ul style="list-style-type: none"> <li>• Press ON/OFF button</li> <li>• Set clock time</li> </ul>
The green LED light above BREW does not light up	<ul style="list-style-type: none"> <li>• The appliance is unplugged</li> <li>• There was a power outage</li> <li>• ON/OFF button was not pressed</li> </ul>	<ul style="list-style-type: none"> <li>• Plug unit in</li> <li>• Wait for power to be restored</li> <li>• Press the ON/OFF button, followed by BREW</li> </ul>

	and the BREW button was not pressed	
Coffee is not brewing	<ul style="list-style-type: none"> <li>• The appliance is unplugged</li> <li>• There was a power outage</li> <li>• BREW button was not pressed</li> <li>• There is no water in the reservoir</li> </ul>	<ul style="list-style-type: none"> <li>• Plug unit in</li> <li>• Wait for power to be restored</li> <li>• Press BREW button</li> <li>• Pour water into the reservoir</li> </ul>
The coffee maker is only brewing water	There are no coffee grounds in the filter basket	Add the desired amount of coffee to the filter
The coffee maker is overflowing	The filter basket is not properly inserted	Insert the filter basket correctly
	The carafe was not properly positioned on the keep warm plate	Be sure the carafe is centered directly under the filter basket
	The lid is not on the carafe	Place the lid on the carafe
	Carafe was removed for more than 20 seconds while the unit is brewing	Carafe should be replaced promptly after removing
	Using too much coffee grounds	Remove filter from the filter basket. If using the gold tone permanent filter, discard coffee and rinse. If using a paper filter, replace with new one. Restart the coffee brewing process with proper amount of coffee grounds
	Using coffee that is too finely ground	Use only coffee that is ground for drip coffee makers
	Paper filter and gold tone permanent filter are used together	Use either paper or the gold tone permanent filter, never both at the same time

Coffee is flowing out of the filter basket and onto the keep warm plate when the carafe is not in place	The filter basket spring popped out during cleaning	Reattach the spring to the filter basket
Coffee is not hot	<ul style="list-style-type: none"> <li>• There was a power outage</li> <li>• Auto off was activated</li> </ul>	<ul style="list-style-type: none"> <li>• Wait for power to be restored</li> </ul>
There are coffee grounds at the bottom of the carafe	The filter (paper or gold tone) was not inserted correctly into the filter basket	Rinse filter basket, set filter into the filter basket and restart brewing
	Paper filter collapsed	Remove filter, rinse filter basket and restart brewing with a new paper filter
Display shows «E01», «E02» or «E03»	----	Contact Braun Customer Service

### Warning

This content is compiled from multiple sources and is provided for reference purposes only. It may not be complete or fully applicable to all situations. If you are unable to resolve your issue, please contact the product manufacturer or an authorized service provider for official support.