

## Installation

Follow these instructions carefully to ensure proper installation of the washer and to prevent accidents when using it.

**WARNING:** Certain internal parts are intentionally not grounded and may present a risk electric shock only during servicing. Service personnel – Do not contact the following parts while the appliance is energized: Control board, heat sink, motor, inlet valve, heater and pump.

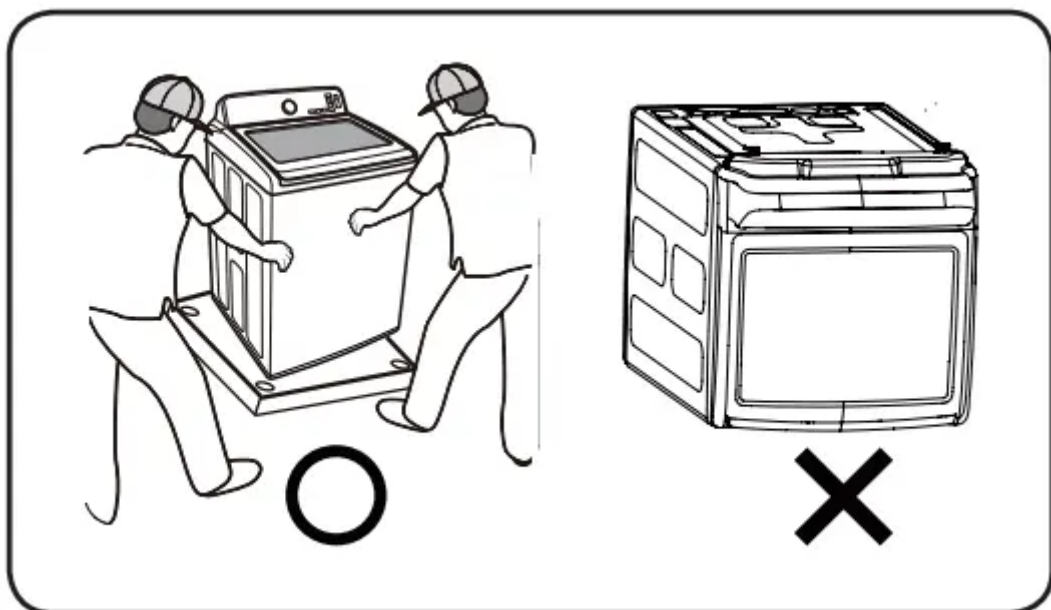
### Unpacking your washer

Unpack your washer and inspect it for shipping damage. Make sure you have received all the items shown below. If your washer was damaged during shipping, or you do not have all of the items, contact 1-800-SAMSUNG (1-800-726-7864).

To prevent personal injury or strain, wear protective gloves whenever lifting or carrying the unit.

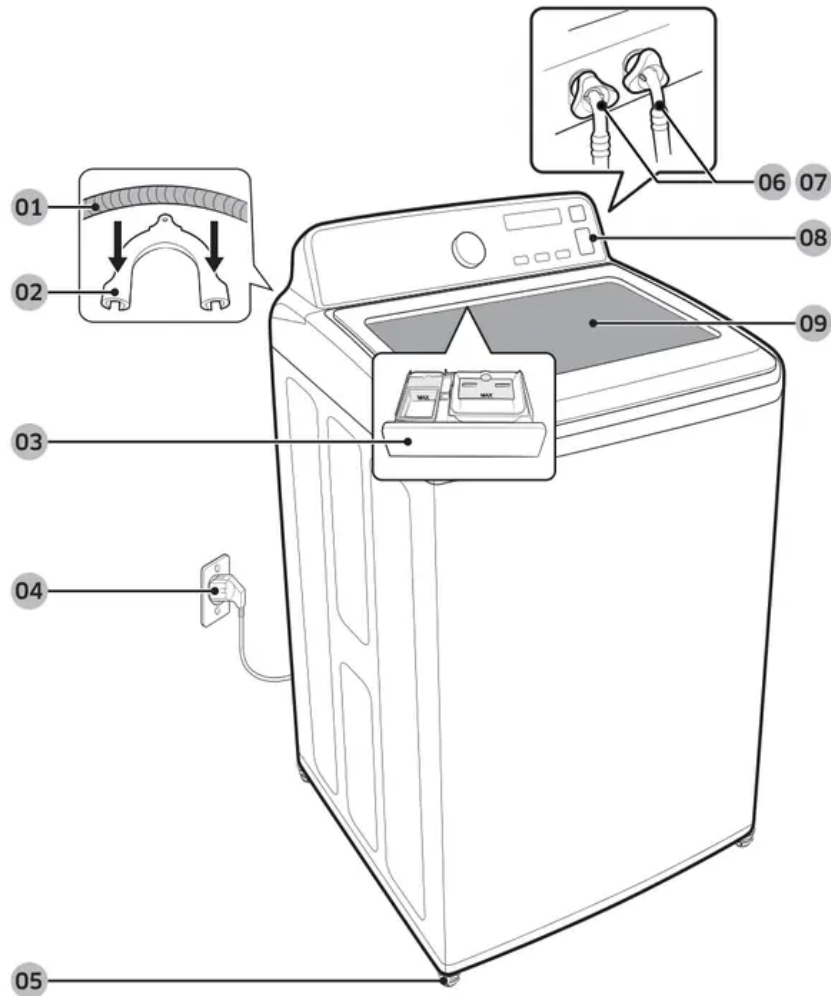
**WARNING:** Packing materials can be dangerous to children; Keep all packing material (plastic bags, polystyrene, etc.) well out of children's reach.

**CAUTION:** When unpacking the washer, 2 person collaboration is needed. To remove the cushion bottom of the packing materials, forward dumping is strictly prohibited. When you lay the washer down to remove carton base, should protect the side of washer and lay it carefully. Never lay your washer on its back or front.



## Overview of your washer

Make sure all the parts are included in the product package. If you have a problem with the washer or the parts, contact a local Samsung customer center or the retailer.

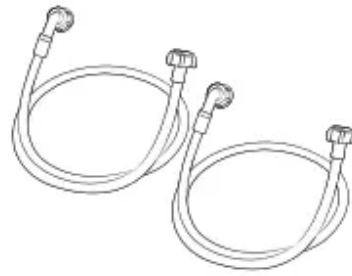


<b>01</b> Drain hose	<b>02</b> Hose guide	<b>03</b> Detergent drawer
<b>04</b> Power cord	<b>05</b> Leveling feet	<b>06</b> Water hose (Cold)
<b>07</b> Water hose (Hot)	<b>08</b> Control panel	<b>09</b> Lid

## Parts supplied



## Parts not supplied



---

## Water supply hoses

### Tools needed for installation



Wrench



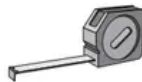
Flat screwdriver



Leveler



Adjustable Plier



Measuring tape

### NOTE

- If you lose an accessory and want to purchase a replacement, contact the Samsung service center (1-800-SAMSUNG (1-800-726-7864)).
- The design of the parts and accessories may differ from the pictures above. Their design is subject to change without notice for product improvement.
- Do not reuse old hoses. Only use new water supply hoses when you install the washer. Old water supply hoses can leak or burst causing flooding and property damage.
- Confirm that there are rubber washers inside each coupling of the water supply hoses.

### Basic location requirements

#### Electrical

- 120 Volt 60 Hz 15 AMP fuse or circuit breaker.
- Individual branch circuit serving only your Washer is recommended.
- Your washer is equipped with a power cord.

**CAUTION:** Never use an extension cord.

## Grounding

### **Electrical grounding is required for this appliance.**

This appliance must be grounded. In the event of malfunction or breakdown, grounding will reduce the risk of electric shock by providing a path of least resistance for electric current.

This appliance is equipped with a power cord having a three-prong grounding plug for use in a properly installed and grounded outlet.

The plug must be plugged into an appropriate outlet that is properly installed and grounded in accordance with all local codes and ordinances.

**WARNING:** An improperly connected equipment grounding conductor can increase the risk of electrical shock. Check with a qualified electrician or serviceman if you are not sure whether the appliance is properly grounded. Do not modify the plug provided with the appliance – if it does not fit the outlet, have a proper outlet installed by a qualified electrician.

### **Important safety precautions**

To prevent unnecessary risk of fire, electrical shock or personal injury, all wiring and grounding must be done in accordance with the National Electrical Code ANSI/ NFPA, No.70 Latest Revision and local codes and ordinances. It is the personal responsibility of the appliance owner to provide adequate electrical service for this appliance.

**CAUTION:** Never connect the ground wire to plastic plumbing lines, gas lines, or hot water pipes.

## Water

To correctly fill your Washer in the proper amount of time, water pressure of 20 to 116 psi (137 to 800 kPa) is required. Water pressure less than 20 psi may cause water valve failure, or may not allow the water valve to shut off completely, or may extend the fill time beyond what your Washer controls allow, causing your Washer to turn off. A time limit is built into the controls to prevent flooding in your home if a hose becomes loose.

The water faucets must be within 4 feet (122 cm) to the back of your Washer to match the inlet hoses provided with your Washer.

### **NOTE**

Accessory inlet hoses are available in various lengths up to 10 feet (275 cm) for faucets that are further away from the back of your washer.

To avoid the possibility of water damage:

- Have water faucets easily accessible.
- Turn off faucets when the washer is not in use.
- Periodically check that there is no leakage from the water inlet hose fittings.

**WARNING:** Check all connections at the water valve and faucet for leaks

### Drain facility

The recommended height of the standpipe is 39 in (99 cm). The drain hose must be routed through the drain hose clip to the standpipe. The standpipe must be large enough to accept the outside diameter of the drain hose. The drain hose is attached to the washer at the factory.

### Flooring

For best performance, you must install your washer on a solidly constructed floor. Wood floors may need to be reinforced to minimize vibration and/or unbalanced load situations. Carpeting and soft tile surfaces are contributing factors to vibration which can cause your washer to move slightly during the spin cycle.

Never install your washer on a platform or weakly supported structure.

### Location considerations

Do not install your washer in areas where water may freeze, since your washer will always retain some water in its water valve, pump, and hose areas. Frozen water can damage the belts, the pump, hoses, and other components.

### Alcove or closet installation

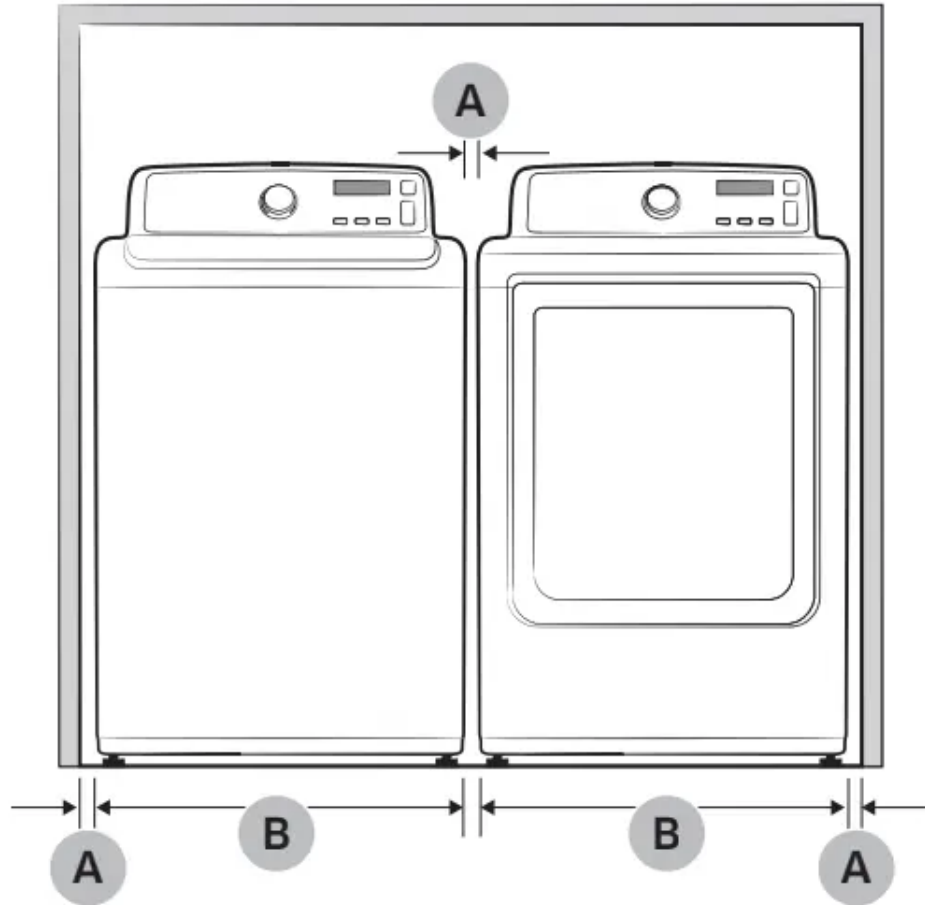
#### Minimum clearances for closet and alcove installations:

Sides	1 in / 25 mm	Closet front	1 in / 25 mm
Rear	5.9 in / 150 mm	Top	21 in / 533 mm

If the washer and dryer are installed together, the closet front must have at least a 72 in<sup>2</sup> (465 cm<sup>2</sup>) unobstructed air opening. Your washer alone does not require a specific air opening.

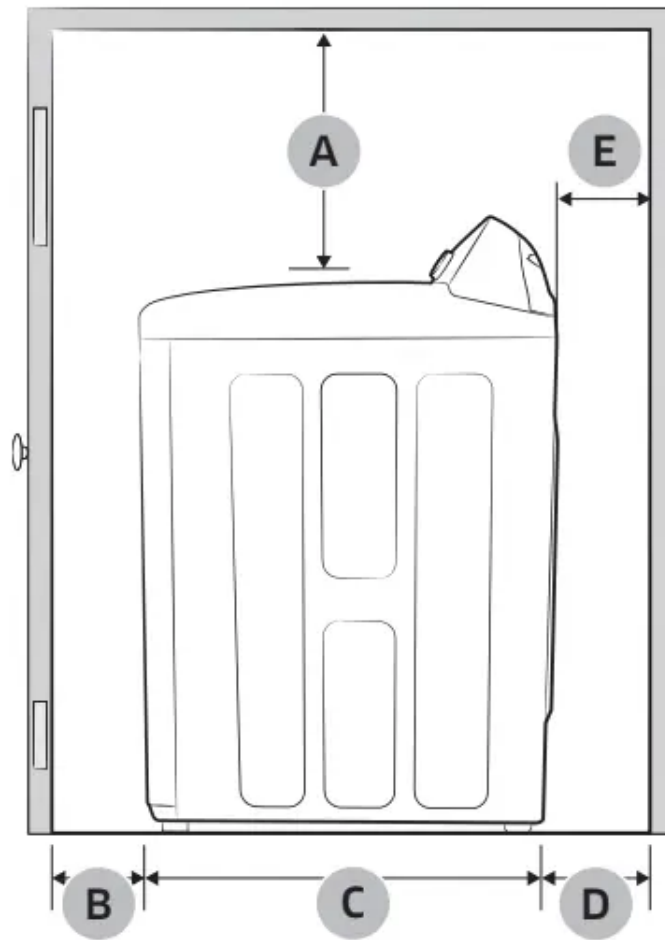
### Recessed area





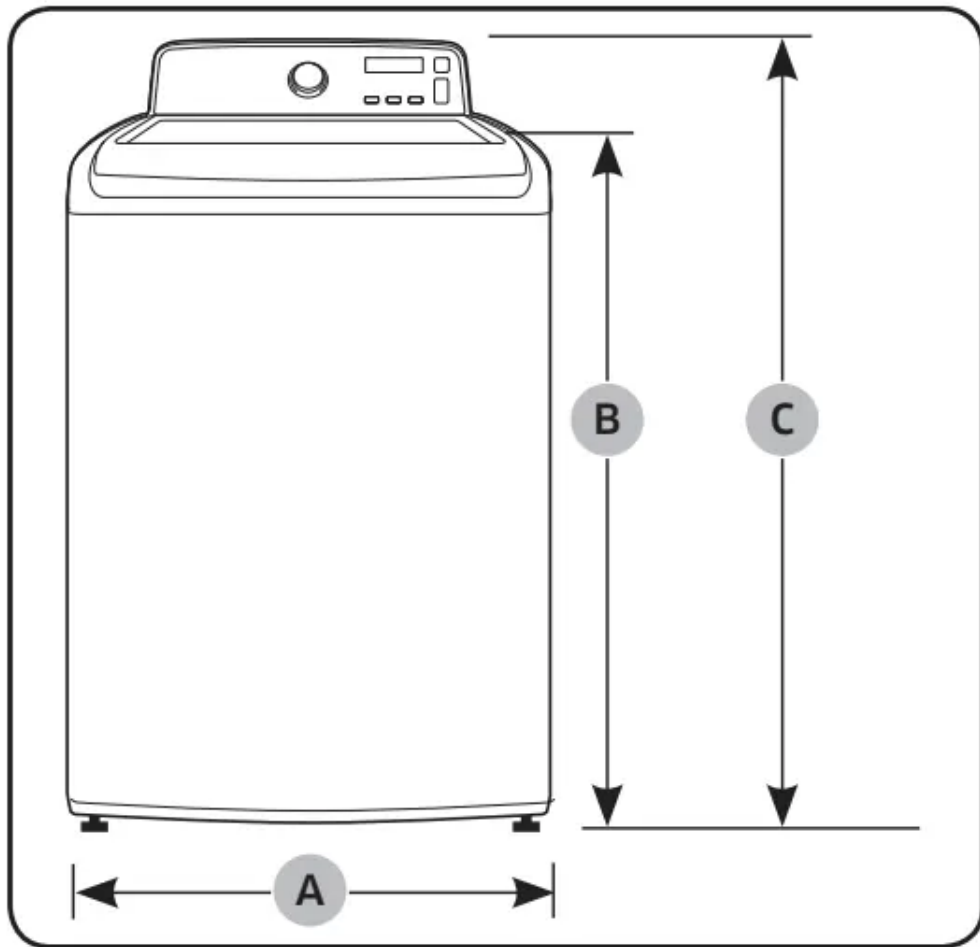
A	1 in (2.5 cm)
B	27.0 in (68.6 cm)

**Side view - closet or confined area**

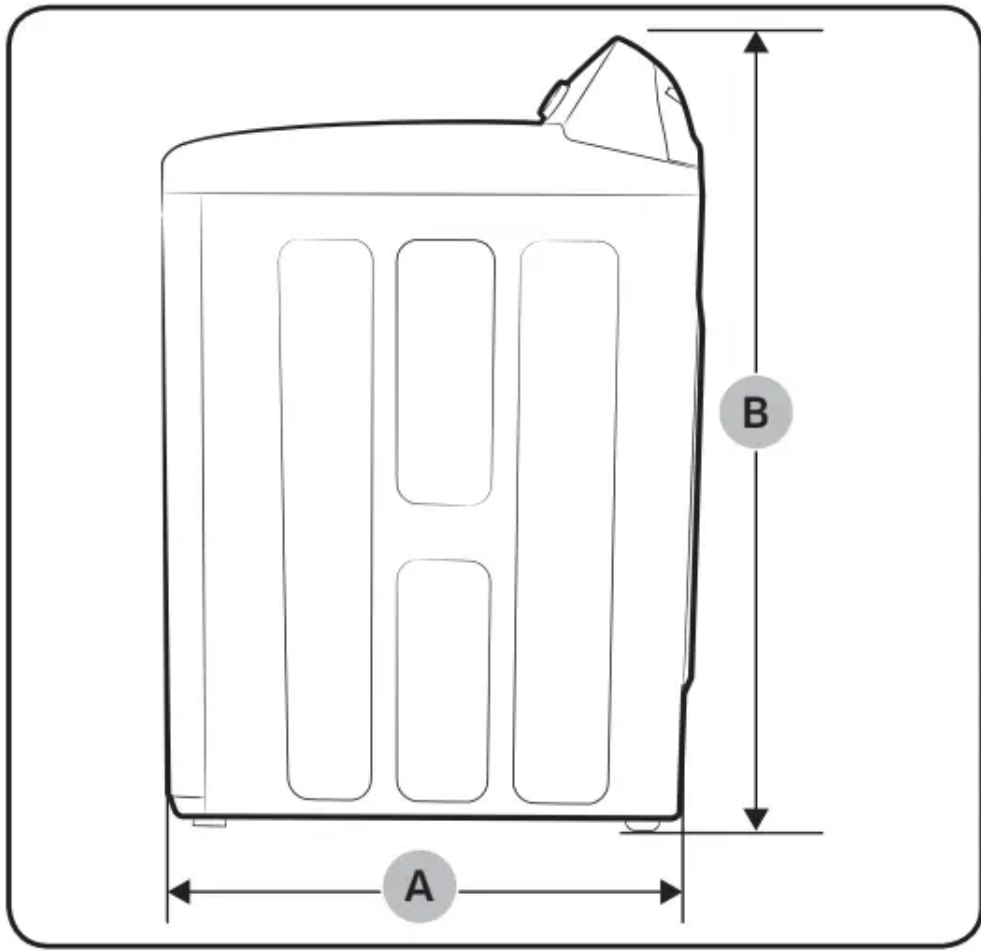


A	21 in (53.3 cm)
B	1 in (2.5 cm)
C	29 7/16 in (74.4 cm)
D	5.9 in (15.0 cm)
E	<p>Gap between end of water valve and the wall</p> <ul style="list-style-type: none"> <li>Case 1. Assemble supply hose after installing : Over 4 in (10 cm).</li> <li>Case 2. Assemble supply hose before installing : Over 3 in (8 cm).</li> </ul>

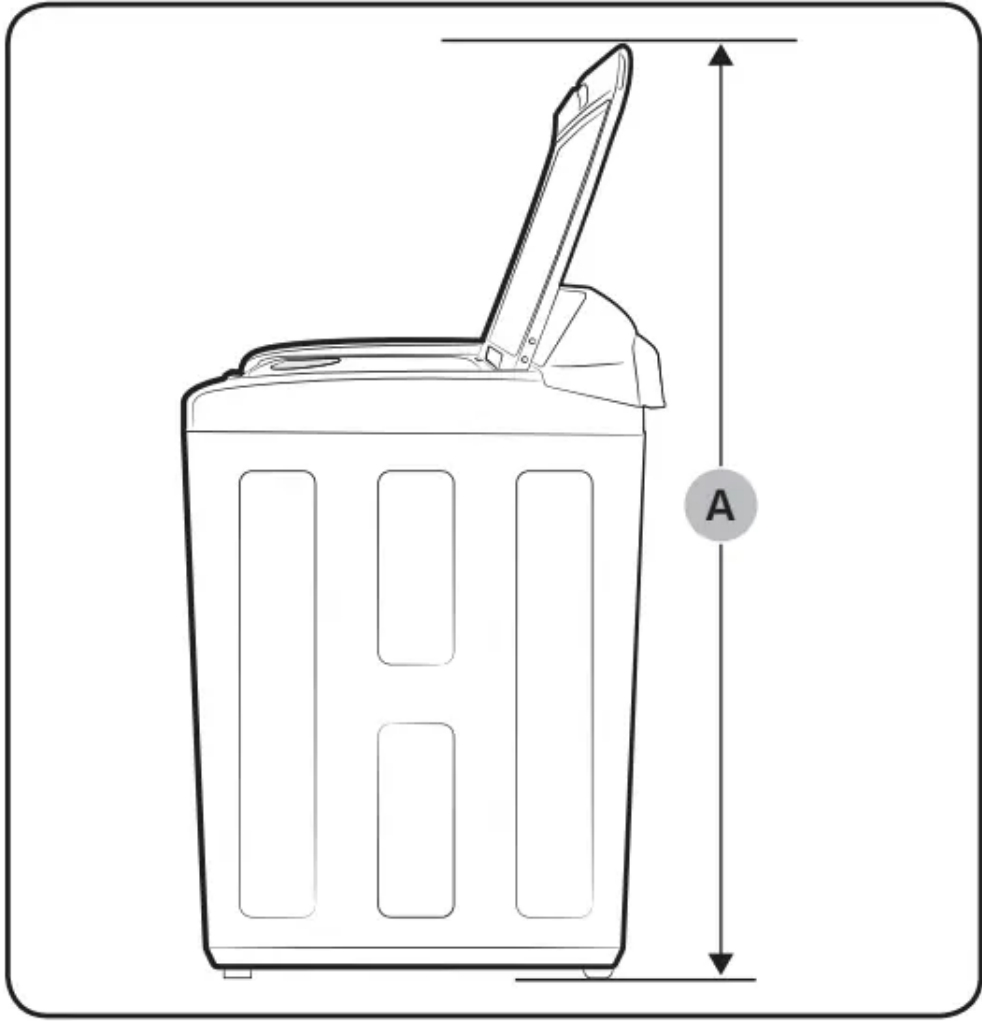
## Required dimensions for Installation



A	27.0 in (68.6 cm)
B	39.3 in (99.8 cm)
C	43.9 in (111.7 cm)

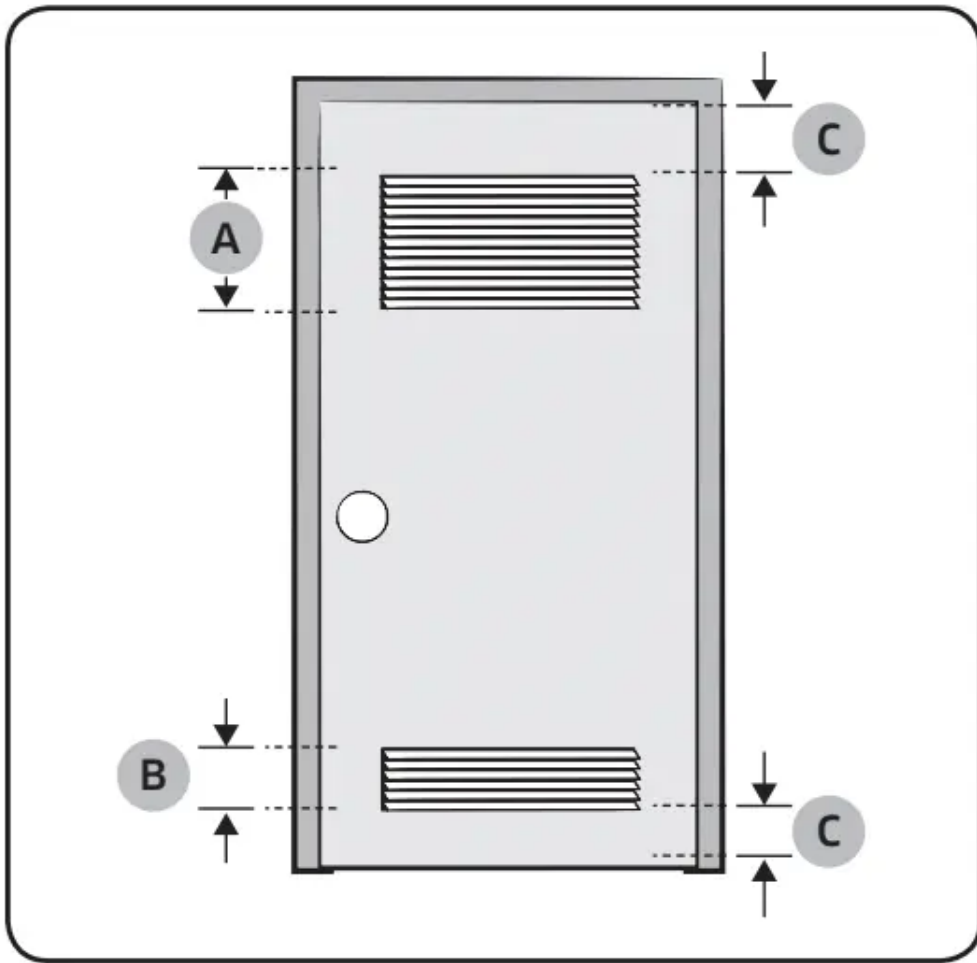


A	29.3 in (74.4 cm)
B	43.9 in (111.7 cm)



A	59.3 in (150.5 cm)
---	--------------------





A*	48.0 in <sup>2</sup> (310.0 cm <sup>2</sup> )
B*	24.0 in <sup>2</sup> (155.0 cm <sup>2</sup> )
C	3.0 in (7.6 cm)

**NOTE** \* Required spacing

## Step-by-step installation

### STEP 1 Selecting a location

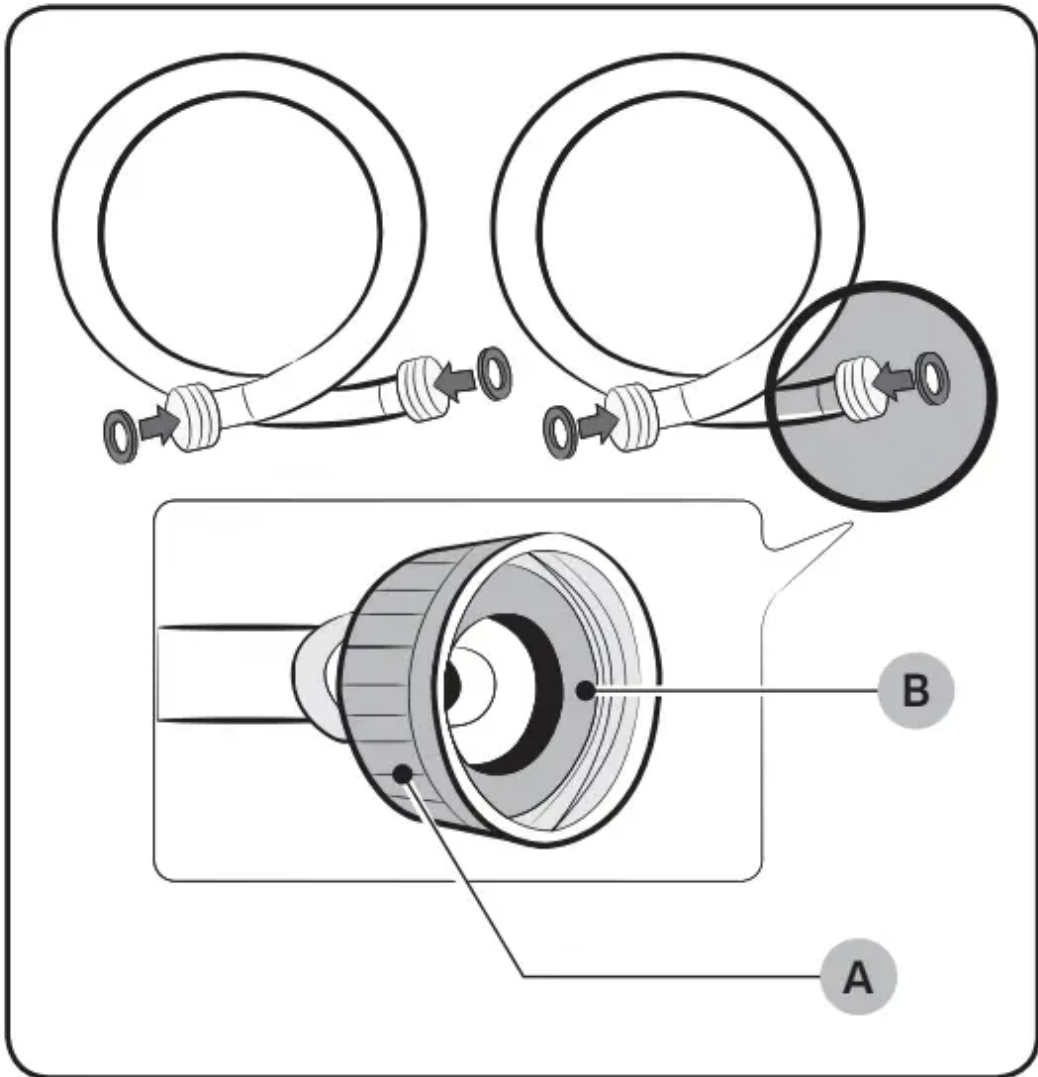
**NOTE**

Before you install the washer, make sure the location:

- Has a hard, level surface without carpeting or flooring that may obstruct ventilation.
- Is away from direct sunlight.

- Has adequate ventilation.
- Is not exposed to freezing temperatures (temperatures under 32 °F or 0 °C).
- Is away from heat sources such as oil or gas.
- Has enough space so that the washer doesn't rest on its power cord.

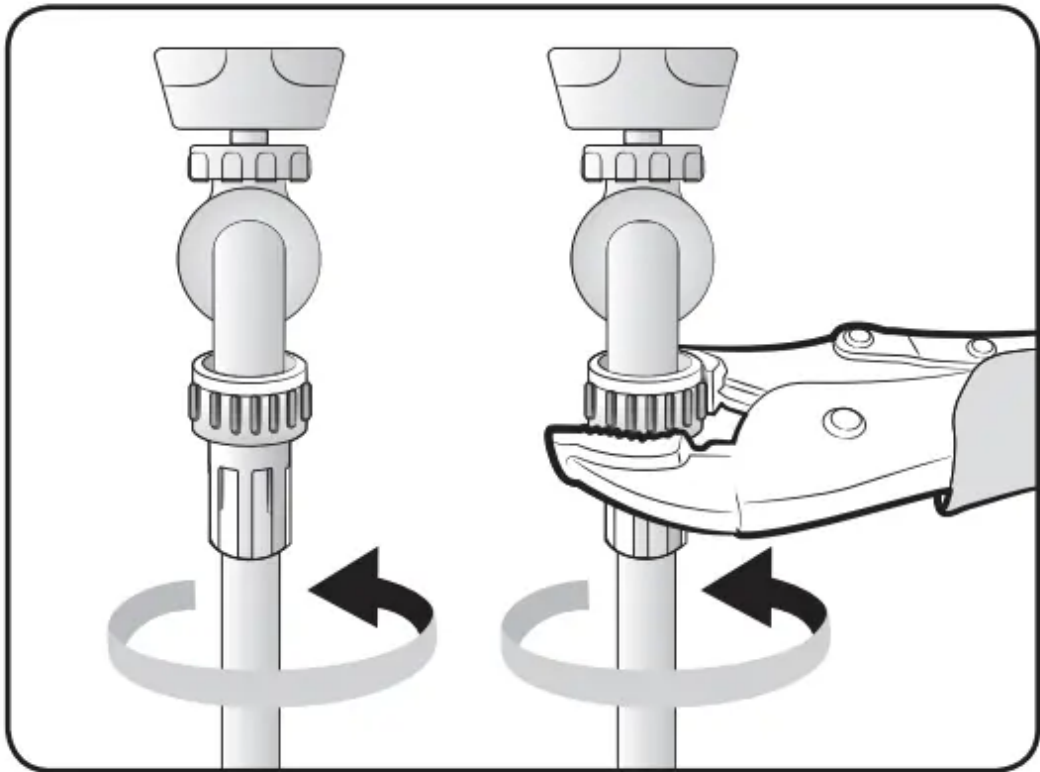
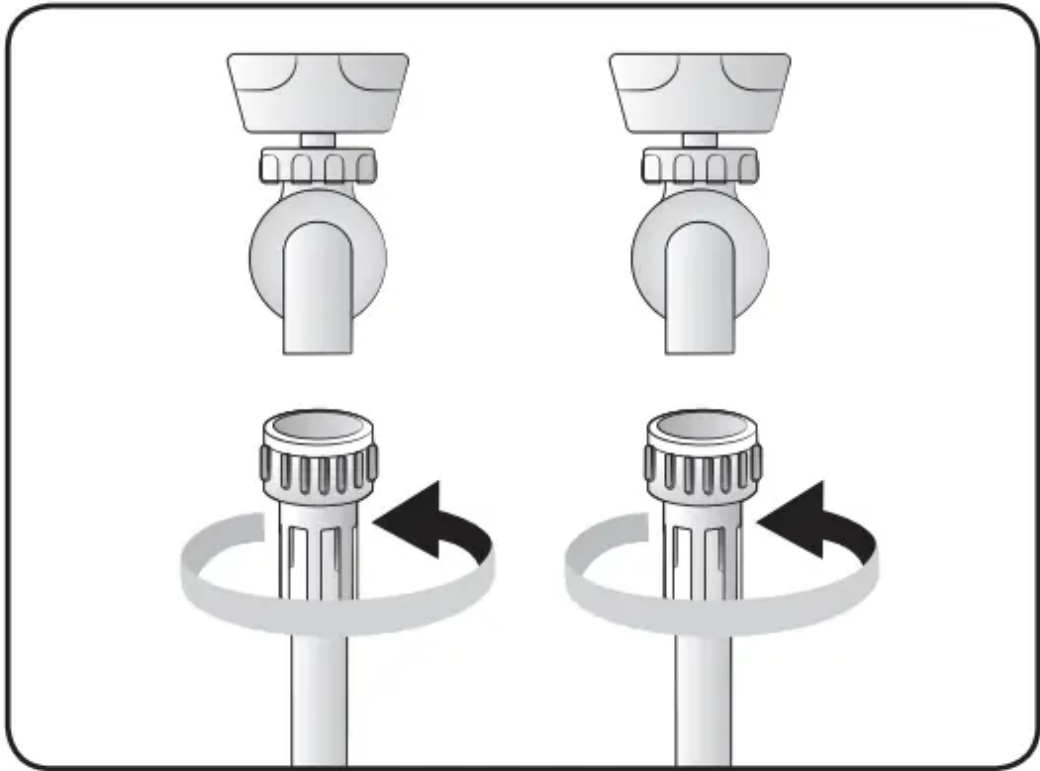
## STEP 2 Connecting the water supply hose



**CAUTION:** Before installing the water supply hoses, make sure there are rubber **gaskets (B)** inside the **couplings (A)** at both ends of each new water hose. Installing the water supply hoses without rubber gaskets can cause water leakage.

**CAUTION:** When you initially install the washer, be sure to use new hoses. Failing to do so may result in a water leakage or overflow and may damage your property.

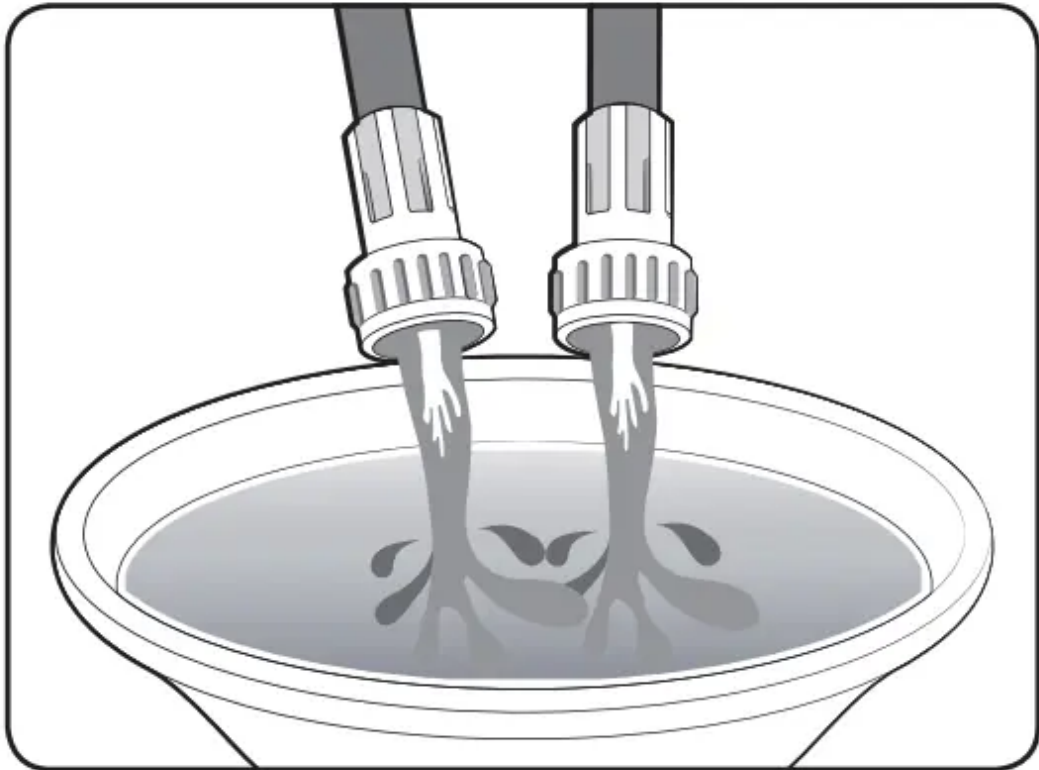
**CAUTION:** Do not connect multiple water supply hoses together to increase the length of the supply hose. Hoses connected this way can leak and the leakage can cause electrical shock. If a hose is too short, replace the hose with a longer, high pressure hose.



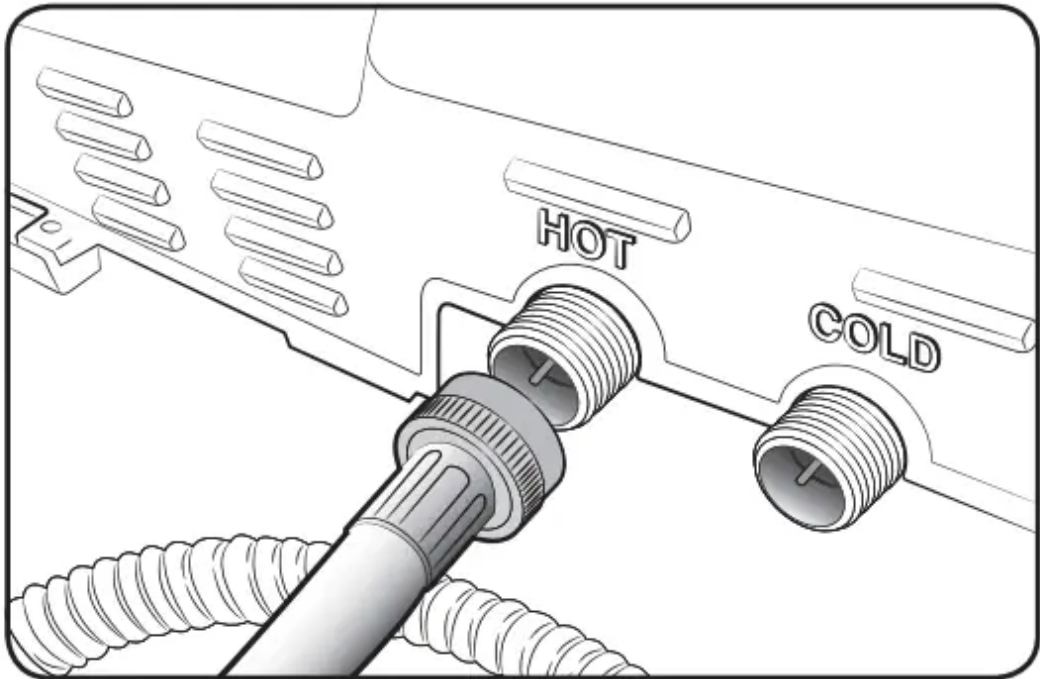
1. Connect the ends of the water supply hoses to the **hot** and **cold** faucets.
2. Tighten the fittings by hand until they are snug, and then tighten them an additional two-thirds of a turn with a plier.

**CAUTION:** When you fasten the fittings, do not fasten them too tightly or apply tape or sealant to the faucets or water supply intakes. This can damage the fittings.

**NOTE:** After you have connected the water supply hoses to the faucets, ensure that they are connected correctly by pulling the water supply hoses downwards.

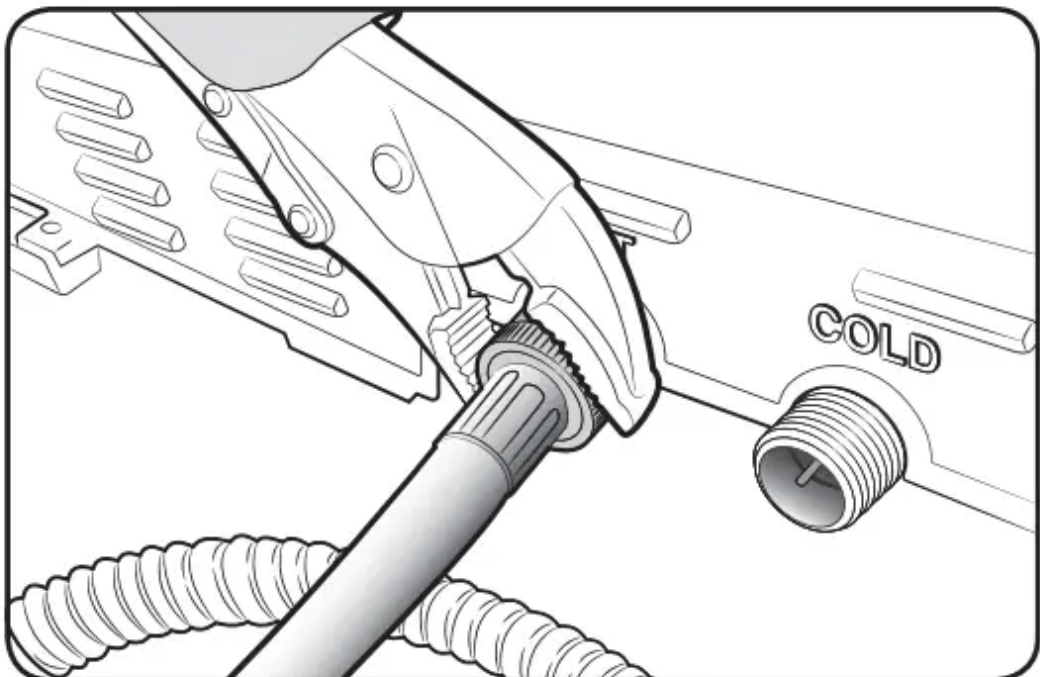


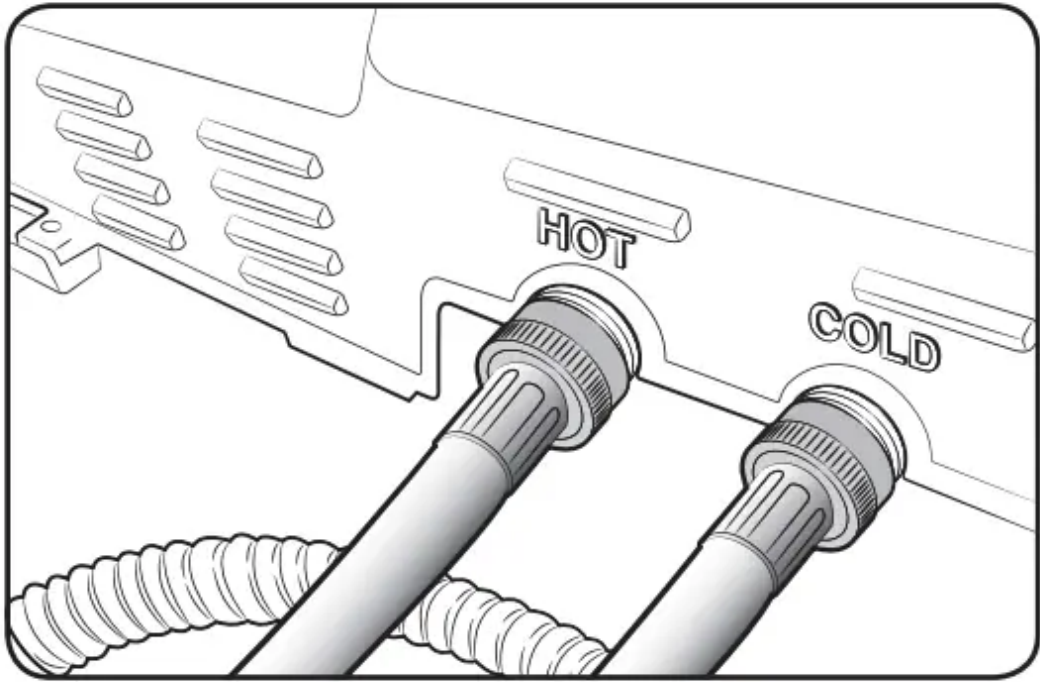
3. Place the unconnected ends of the hoses into a bucket and open the faucets connected to the two water supply hoses for 10 or 15 seconds to remove any foreign substances from the hoses. Close the faucets before continuing.



4. Connect the ends of the water supply hoses to the water supply intake connections at the back of the washer.

**CAUTION:** The water supply hose connected to the hot faucet must be connected to the hot water supply intake and the water hose connected to the cold faucet must be connected to the cold water supply intake.

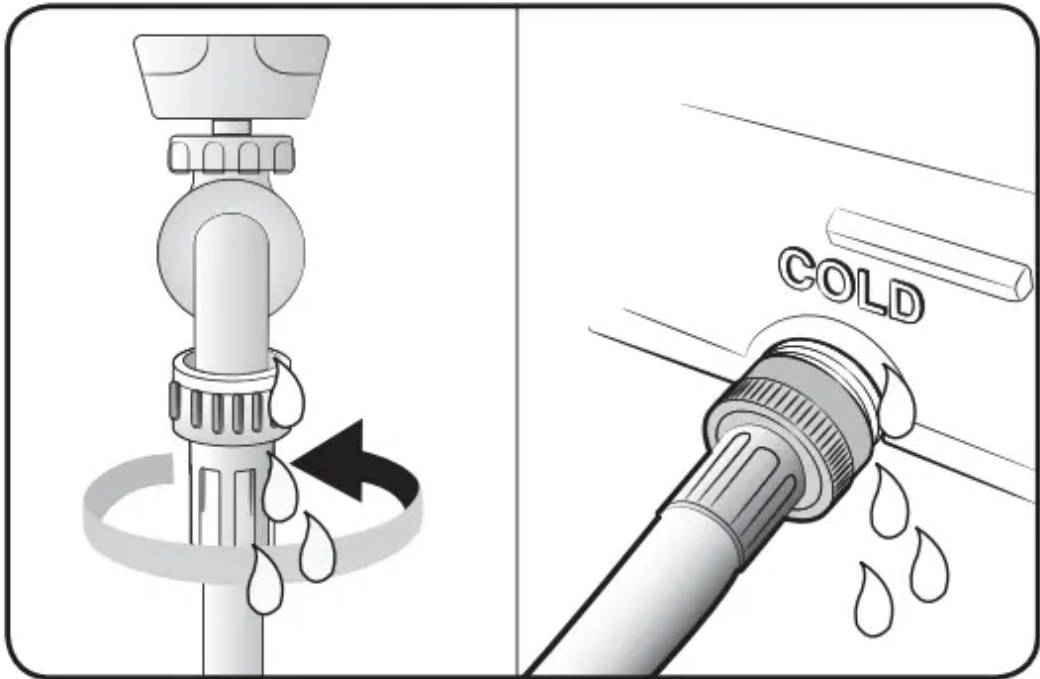




5. Tighten the fittings by hand until they are snug, and then tighten them an additional two-thirds of a turn with a plier.

**NOTE:** To ensure correct water usage, connect both the hot and cold water faucets. If either or both are not connected, the **Cool** (no fill) LED will flash.

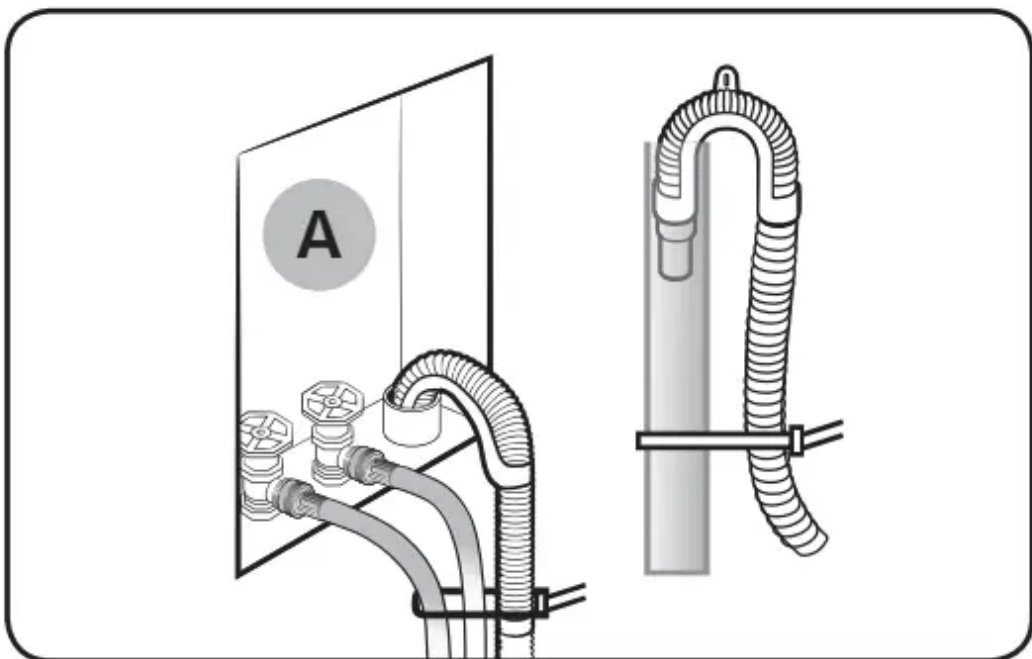
**NOTE:** If you do not want to use the hot water supply hose, insert the water intake cap into the hot water supply intake hole. In this case, you must select the **Cold** for the water temperature. If you select the **Cold**, all the lamps for the water temperature options are turned off.



**CAUTION:** Confirm that the water supply hoses are not twisted or bent. If the hoses are twisted or bent, the hoses can leak and cause electric shock due to the water leakage.

6. Turn on the hot and cold water supplies and check all the water supply intake connections and the faucets for water leaks.

### STEP 3 Connecting the drain hose



The end of the drain hose can be positioned in three ways:

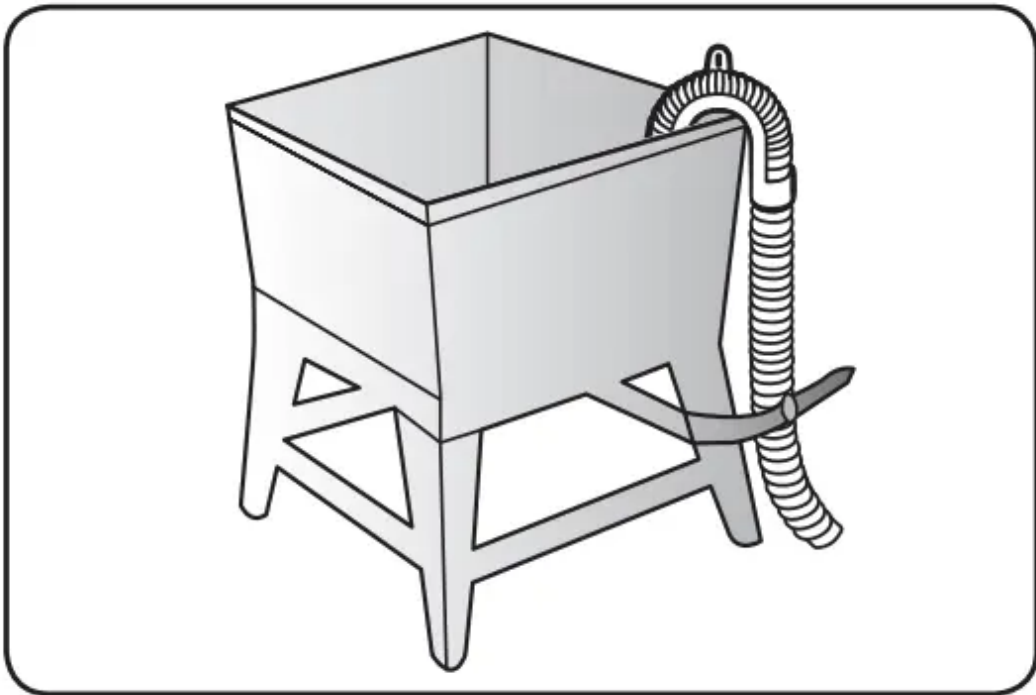
**In a Wall standpipe or Floor standpipe**

The height of end of standpipe must be no lower than 39 in (99 cm) and no higher than 96 in (245 cm).

If drain pipe are built into the wall with water valves (A), fasten the drain hose to the water hose.

**NOTE**

- Make sure that the connection between the drain hose and the standpipe is not airtight.

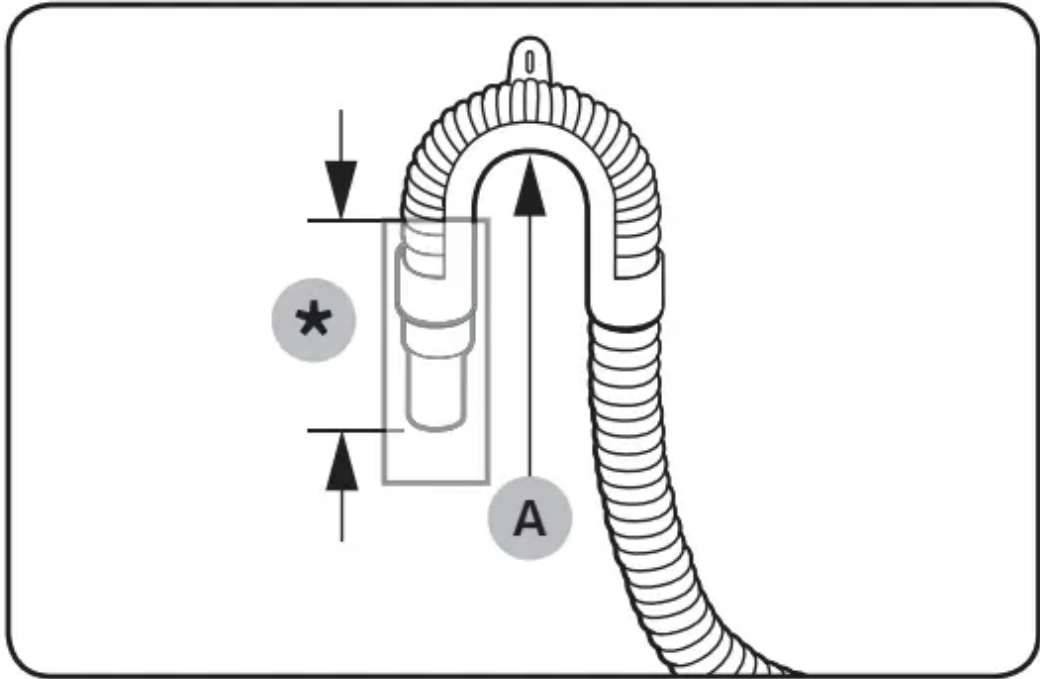


**In a laundry tub**

The height of the tub must be no lower than 39 in (99 cm) and no higher than 96 in (245 cm).

Assemble the supplied Hose guide at the end of the drain hose, and put the hanger on laundry tub. And fasten the drain hose to the leg of laundry tub.

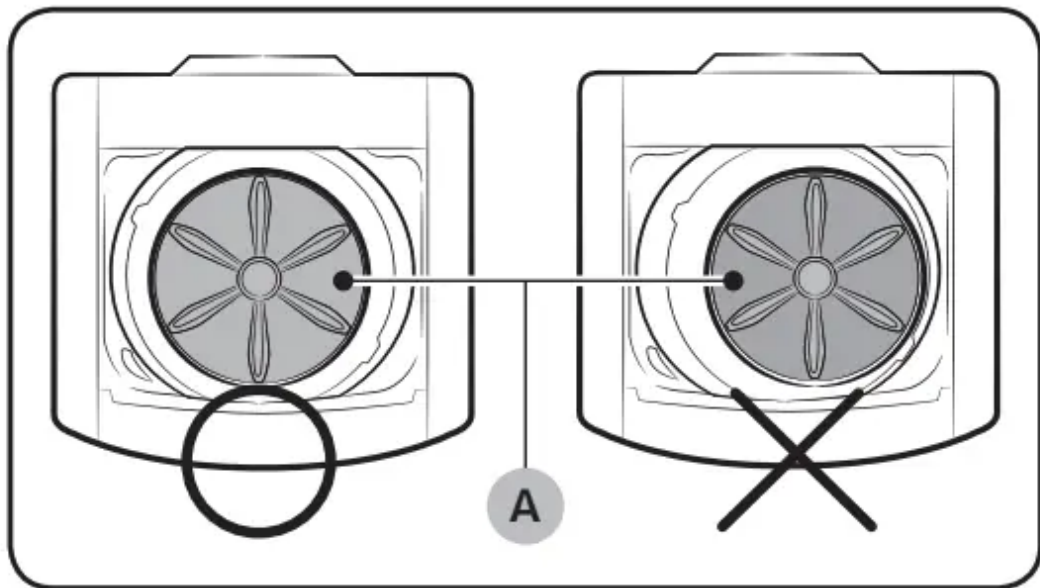




**NOTE:** Connect the hose guide (A) within 3~5 in (7.6~12.7 cm)\* from the end of the drain hose. If the drain hose is extended beyond the end of the hose guide, mold or microorganisms could spread inside the washer.

**NOTE:** The drain hose can be installed to a 96 in (245 cm) maximum, but the draining capability can be reduced at this height. It can cause the washer to have an odor because of remaining water in the drain system.

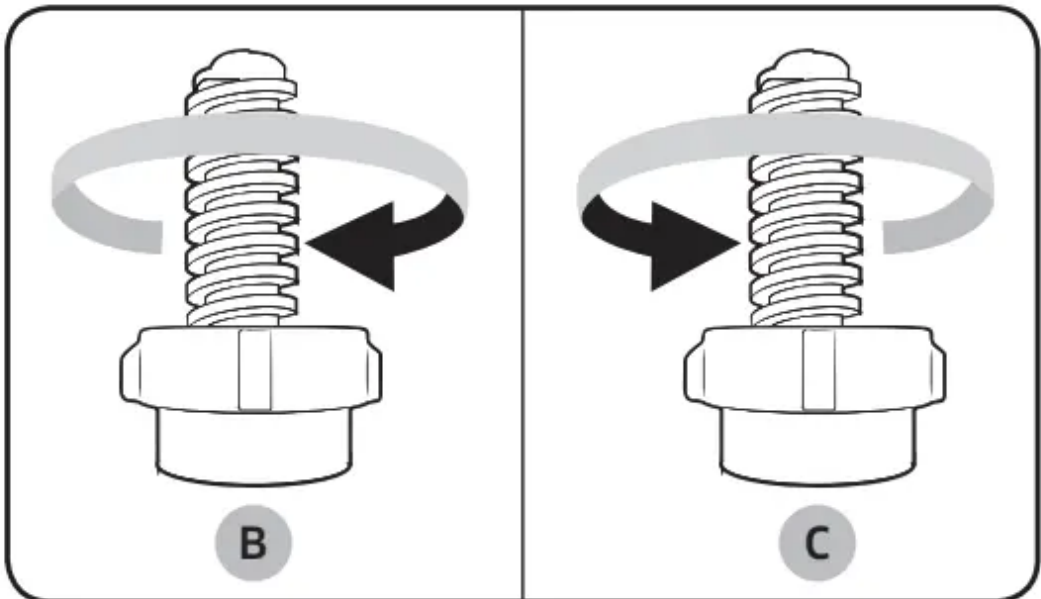
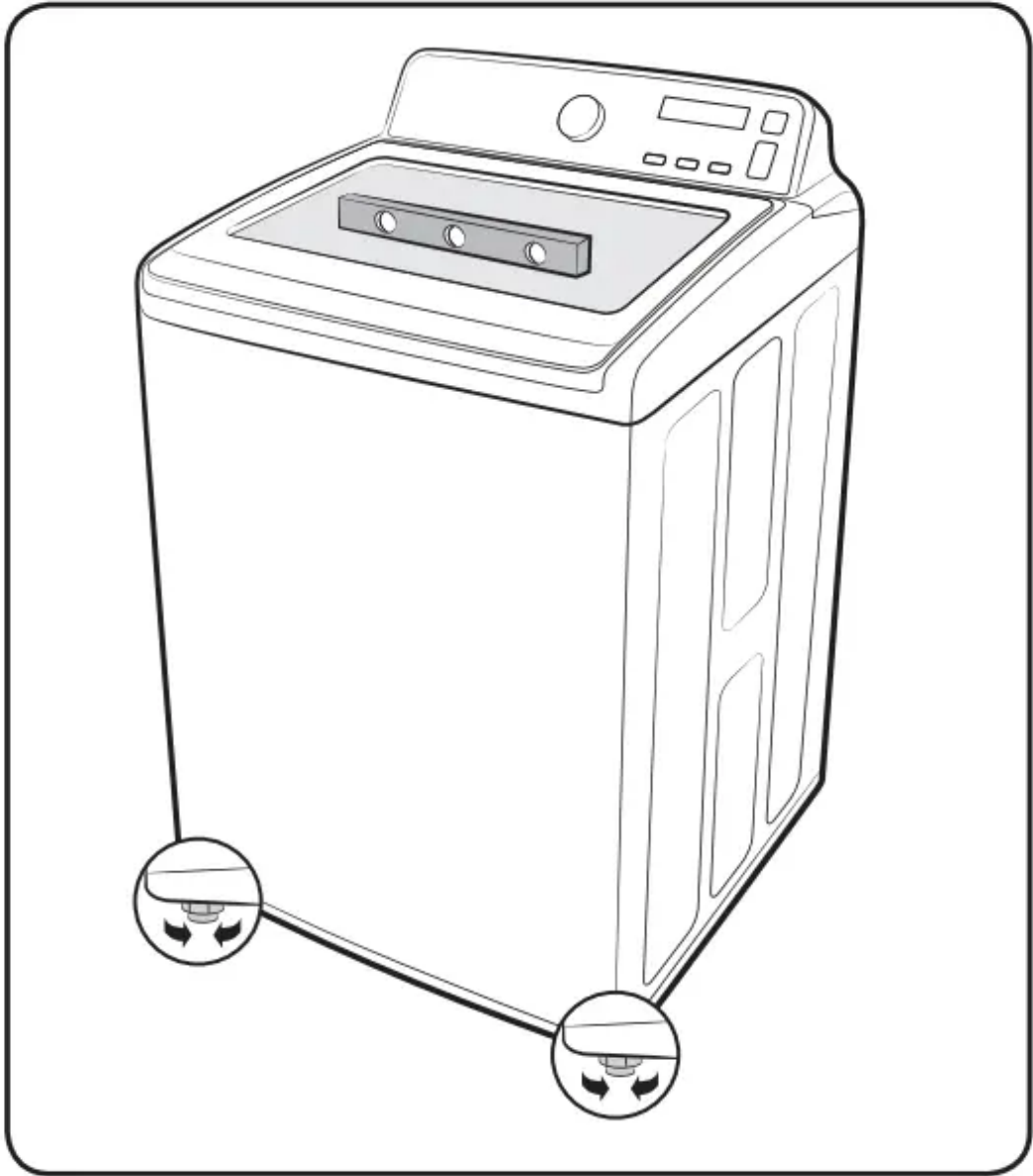
**STEP 4 Leveling your washer**



**See if the washer is level by checking the position of the tub:**

**1. Slide the washer into position.**

**2. Open the lid of the washer, and pour the water into the tub to just below the pulsator level.**



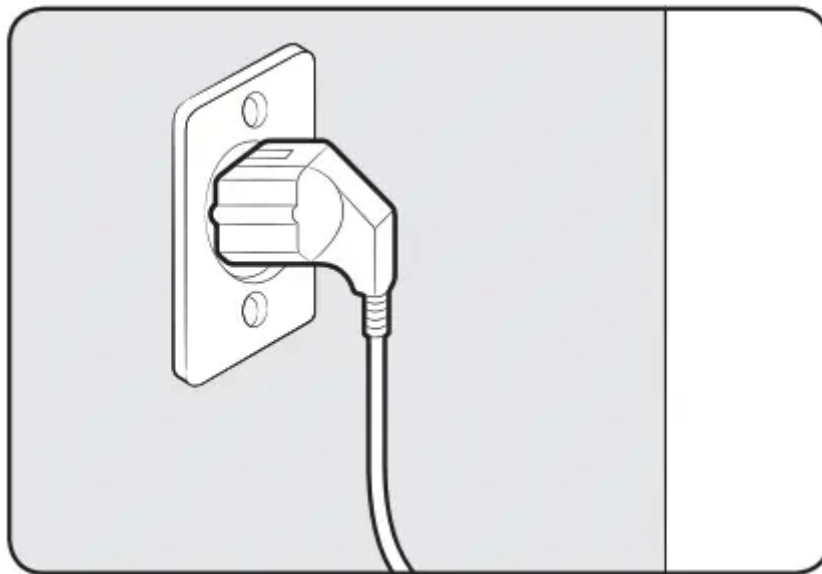
**3.** If the washer is level, the **pulsator (A)** is positioned at the center of the water as shown in the figure.

If not, level your washer by turning the front leveling feet clockwise or counterclockwise as necessary.

**NOTE**

- Turn the front leveling feet **clockwise (B)** to lower the washer, and **counterclockwise (C)** to raise the washer.
- Number of leveling feet may differ depending on the models.

**STEP 5 Powering your washer**



Plug the power cord into a 3-prong, well grounded 120 volt 60 Hz approved electrical outlet protected by a 15-amp fuse or comparable circuit breaker.

Your washer is grounded through the third prong of the power cord when plugged into a three-prong grounded electrical outlet.

**Test run**

Make sure that you install your washer correctly by running the **RINSE+SPIN** after the installation is complete.

**STEP 6 Running a test cycle**

Run a test cycle as follows to check if your washer is properly installed.

- 1.** Load about 6 pounds of laundry into the tub.
- 2.** Press **POWER** to turn on your washer.



3. Select **RINSE+SPIN** by turning the **Cycle Selector**.

4. Press **START/PAUSE** to start the test cycle.

5. The washer should not rock or vibrate excessively when water is supplied or when washing or spinning, and should drain well during the spin cycle.

**NOTE:** If water leaks while water is being supplied or drained, check the water connections. Refer to the “**STEP 2 Connecting the water supply hose**” section on page 20 for instructions.

**NOTE:** If the washer rocks and vibrates excessively, level your washer again. Refer to the “**STEP 4 Leveling your washer**” section on page 24 for instructions.

### **STEP 7 Run calibration (recommended)**

Calibration ensures accurate weight detection by the washer. Make sure the tub is empty before running calibration.

1. Press **Power** to turn on the washer.

2. Press and hold **Temp.** and **Soil** simultaneously for 3 seconds.

3. Press **Start/Pause** to start calibration.

4. The tub rotates clockwise for approximately 2 minutes.

5. When complete, “0” appears on the display, and the washer turns off automatically.

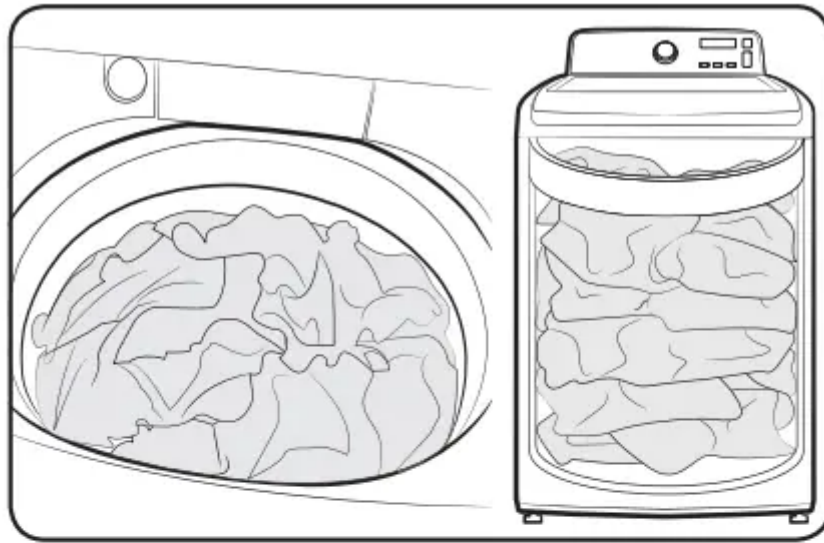
**NOTE:** Run Calibration Mode periodically for more accurate weight detection.

## **Before you start**

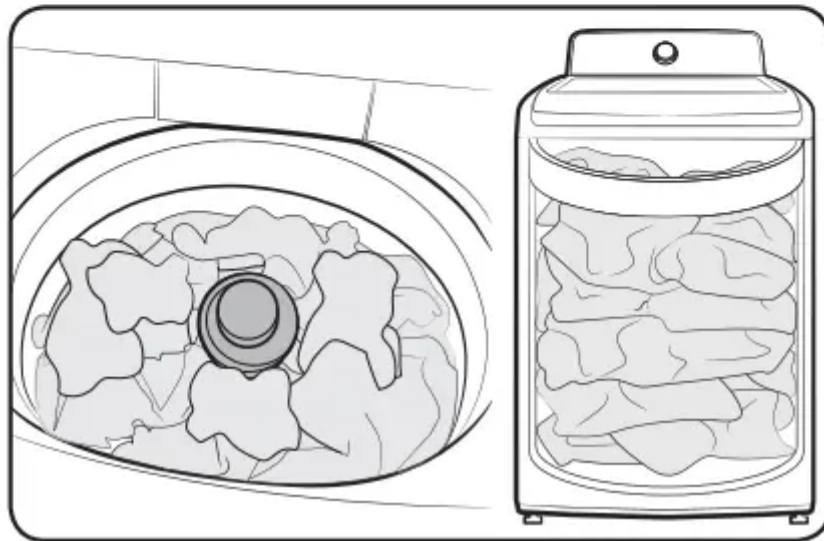
**WARNING:** To reduce the risk of fire, electric shock, or injury to persons when using your appliance, follow basic precautions, including the following:

## Loading your washer

### WA45T3200A\*



### WA44A32\*\*A\*



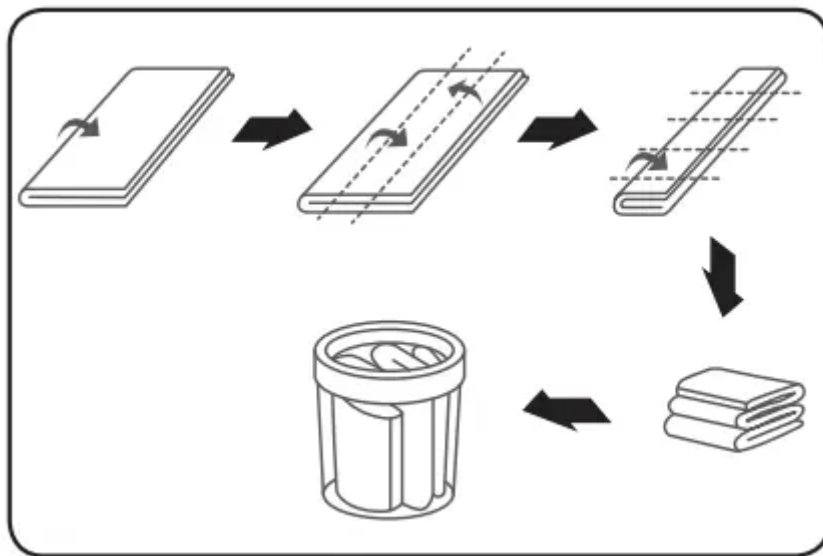
- Fill the tub with dry, unfolded clothes evenly around in order to enhance washing efficiency and prevent excess wear, or wrinkling of the load.
- For optimal washing performance, make sure the laundry is piled up evenly.
- Wash delicate items such as bras, hosiery, and other lingerie in the Delicates cycle with similar lightweight items.
- When washing big bulky items or a few smaller items that don't fill the tub completely – a rug, a pillow, stuffed toys, or one or two sweaters, for example – add a few towels to improve spin performance.
- Do not insert bulky items except for Bedding in this cycle.

**NOTE:** During the spin cycle, the washer may add additional water to redistribute the clothes and correct an imbalance inside the drum.

- When washing heavily soiled loads, do not overload your washer to ensure good cleaning results.

**CAUTION**

- Inflatable items may cause damage to the laundry or the machine during the wash or drying process.
- Regardless of the size, blankets or quilts are safer and cleaner to wash one item at a time. Two different-sized blankets in the same load may compromise the drying performance due to unbalanced loads.



**To input a blanket (WA45T3200A\* models only)** Fold the blanket into the blanket-specific net as shown, and then insert in the tub below the plastic area of the tub.

**CAUTION:** Make sure the laundry is inserted completely.

- Any exposed part of the laundry may cause damage to the machine or the laundry itself, or a water leak.
- Do not overload the tub. Make sure no part of the laundry is exposed outside of the tub.

**To add a forgotten item:**

1. Press **START/PAUSE** to pause the washer.
2. Wait for the door to unlock automatically, and then open the door.
3. Add the item, close the door, and then press **START/PAUSE**. The cycle will resume.

**NOTE**

Do not wash different types of bedding (blankets, sheets, comforters/duvets) together. They can get unbalanced in the tub and cause poor spinning results.

- Separate the beddings by their type before washing.
  - If an item is bulky and absorbs large amounts of water during washing, wash that item individually.
  - Do not wash light items with items that hardly absorb water together.
  - Do not wash duvets or comforters with their covers or bed sheets.

## Getting started

1. Load your washer.
  2. Add liquid (or powder) detergent and additives to the dispenser (see the "**Detergent use**" section on page 37).
  3. Select the appropriate cycle and options for the load (see the "**Operations**" section page 31).
  4. Close the lid.
  5. Press **START/PAUSE**.
  6. The **Wash** Indicator illuminates.
  7. The estimated cycle time will appear in the display. The time may fluctuate to indicate the time remaining in the cycle.
- NOTE:** The actual time required for a cycle may differ from the estimated time in the display depending on the water pressure, water temperature, detergent, and laundry.
8. Before your washer starts to fill, it will make a series of clicking noises to check the door lock and do a quick drain.

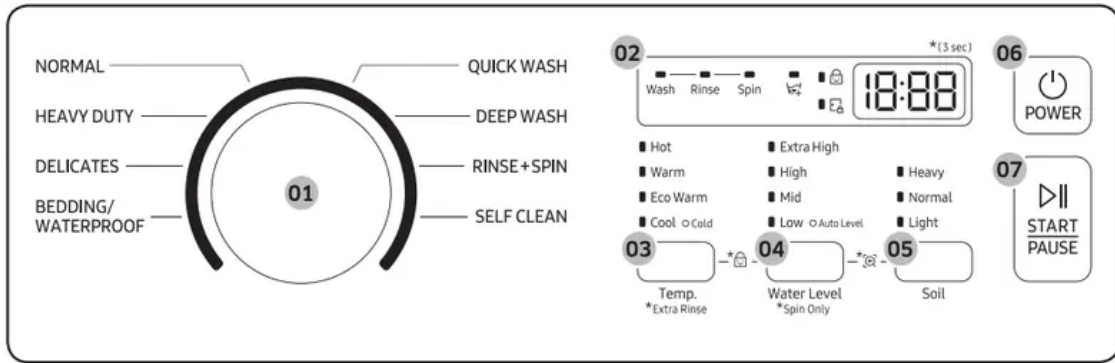
### NOTE

- When the cycle is complete, the **Door Lock** indicator will go out.
- Pressing **POWER** cancels the cycle and stops your washer.
- The **Wash**, **Rinse**, and **Spin** indicators will illuminate during those portions of the cycle.


## Operations

**WARNING:** To reduce the risk of fire, electric shock, or injury to persons, read the IMPORTANT SAFETY INSTRUCTIONS before operating this appliance.

## Control panel



<b>01</b> Cycle Selector	Turn the Cycle Selector to select the desired cycle. The indicator by the cycle name lights up.
<b>02</b> Display	Provides instructions and diagnostics while keeping you updated on the cycle status and time remaining.
<b>03</b> Temp.	<p>Press the button repeatedly to cycle through the different water temperature options.</p> <ul style="list-style-type: none"> <li>• <b>Hot</b> - Whites and heavily soiled, colorfast items.</li> <li>• <b>Warm</b> - Colorfast items.</li> <li>• <b>Eco Warm</b> - Moderately soiled, colorfast items; most wrinkle-free items.</li> <li>• <b>Cool</b> - Brightly colored, very lightly soiled items.</li> <li>• <b>Cold</b> - Cold water with no warm water added.</li> </ul> <p><b>NOTE</b></p> <ul style="list-style-type: none"> <li>• If you select the Cold option, all the lamps for the water temperature options are turned off.</li> <li>• <b>Extra Rinse</b>: Change from spray rinse mode to deep rinse mode, and rinse once again. Press and hold <b>Temp.</b> for 3 seconds.</li> </ul>

<p><b>04</b> Water Level</p>	<p>Press this button to select the water level manually. For optimal performance, set the water level to <b>Auto Level</b>. To select <b>Auto Level</b>, press this button repeatedly until all the lamps of the water level are off.</p> <p> <b>NOTE</b></p> <p><b>Spin Only:</b> This cycle runs a spin cycle only. Press and hold <b>Water Level</b> for 3 seconds.</p>
<p><b>05</b> Soil</p>	<p>Press to change the soil level for the current cycle.</p> <p><b>Heavy :</b> For extremely soiled loads.</p> <p><b>Normal :</b> For moderately soiled loads. This setting is best for most loads.</p> <p><b>Light :</b> For barely soiled loads.</p>
<p><b>06</b> POWER</p>	<p>Press once to turn your washer on. Press again to turn your washer off. If the washer is left on for more than 10 minutes without any buttons being pressed, the power automatically turns off.</p>
<p><b>07</b> START/PAUSE</p>	<p>Press to pause and restart cycles.</p>

## Cycle overview

Cycle	Description
NORMAL	For most fabrics including cottons, linens, and normally soiled garments.
HEAVY DUTY	For sturdy, colorfast fabrics and heavily soiled garments. We propose to use this function only when washing lot of heavily soiled garments.
DELICATES	For sheer fabrics, bras, lingerie, silks, and other handwash-only fabrics. For best results, use liquid detergent.
BEDDING/ WATERPROOF	For bulky and large items, such as comforters, blankets and sheets. When washing comforters, waterproof or water-resistant items, use liquid detergent.  <b>⚠ CAUTION</b> ※ Do not wash waterproof items and non-waterproof items together. ※ Check the specification label on the fabric item and see if the item is waterproof. ※ Use the BEDDING/WATERPROOF cycle for waterproof or water-resistant items such as plastic mats, ski pants, raincoat and comforters which hardly absorb water.
QUICK WASH	For lightly soiled garments needed quickly.
DEEP WASH	Use more water in washing and rinsing.
RINSE+SPIN	Use for loads that need rinsing only or to add rinse-added fabric softener to a load.
SELF CLEAN	Use to clean dirt and build-up from the tub. Regular use (after every 20 washes) is recommended.

## Options

### Child Lock

Child Lock disables the **START/PAUSE** button while the washer is operating. This is to prevent children from playing with the washer.

#### Activating the Child Lock function

Press and hold the **Temp.** and **Water Level** buttons simultaneously for approximately 3 seconds.

- Child Lock disables the **START/PAUSE** button while the washer is operating.
- The Child Lock Indicator blinks.

#### Using the Child Lock function

If the lid is opened when the Child Lock function is on, “**dC**” is displayed and an alarm sounds.

- If the water level in the tub is above the safe water level, “**dC**” is displayed on the LED display and the washer starts to drain water by force after 30 seconds.
- If the water level in the tub is above the safe water level and the Child Lock function is turned on while the lid is open, “**CL**” is displayed on the LED display, even if the washer is turned off, and the washer drains water by force.
- When Child Lock is on and the washer is off, if the water in the tub is above the safe water level and the lid is opened, “**CL**” is displayed on the LED display. No alarm sounds, but the washer drains the water. When the draining operation finishes, the power automatically turns off again.
- If you activate the Child Lock function while the washer is running, the **Start/ Pause** button will not work.
- After the compulsory drain, “**CL**” blinks at 1 second intervals and the washer enters the “**CL**” mode. (When the washer is in the “**CL**” mode, only the **Power** button works.)
- To cancel the “**CL**” mode, turn the power off and then on again.
- To cancel the “**dC**” mode, deactivate the Child Lock function. To deactivate the Child Lock function, press and hold **Temp.** and **Water Level** simultaneously for at least 3 seconds.

## NOTE

### Adding laundry when Child Lock is on

To add laundry, deactivate the Child Lock function. To deactivate the Child Lock function, press and hold **Temp.** and **Water Level** simultaneously for at least 3 seconds. See the “**Pause Option**” section on page 36 for additional details.

### Deactivating the Child Lock function

Press and hold both **Temp.** and **Water Level** simultaneously for approximately 3 seconds.

- When you deactivate the **Child Lock** function, the Child Lock indicator is turned off.
- The Child Lock function prevents children or the infirm from accidentally operating the washer and injuring themselves.

**WARNING:** If a child enters the washer, the child may become trapped and suffocate.

## CAUTION

- Once you have activated the Child Lock function, it continues working even if the power is turned off.
- Forcing the lid open can result in injury or damage to the product.

**NOTE:** To add laundry after you have activated the Child Lock function, you must first deactivate the Child Lock function.

## Smart Care

To enable this function, you must first download the Samsung Laundry app from the Play Store or the App Store and install it on a mobile device that has a camera function. The Smart Care function has been optimized for Galaxy and iPhone mobile devices (applicable models only).

1. When the washer detects an issue to check, an information code appears on the display. To enter **Smart Care** mode, press and hold **Water Level** and **Soil** simultaneously for 3 seconds.
2. The washer starts the self-diagnosis procedure and displays an information code if a problem is detected.
3. Run the Samsung Laundry app on your mobile device, and then tap **Smart Care**.
4. Put the mobile device close to the washer's display so that the smartphone camera and the washer face each other. The information code will be recognized automatically by the app.
5. When the information code is recognized correctly, the app provides detailed information about the problem with applicable solutions.

### NOTE

- The function name, Smart Care, may differ depending on the language.
- If the washer's display reflects light, the app may fail to recognize the information code.
- If the app fails to recognize the information code, you can enter the code manually on the app.

## Washing clothes using the cycle selector

Your new washer makes washing clothes easy, using Samsung's "Fuzzy Control" automatic control system. When you select a wash program, the machine will set the correct temperature, washing time, and washing speed.

1. Press **POWER**.
2. Open the lid.
3. Load the articles of clothing one at a time loosely into the drum, without overfilling it.
4. Add liquid (or powder) detergent, softener, and/or bleach (if necessary) to the appropriate compartments. See the "**Detergent use**" section on page 37.
5. Close the lid.

6. Use the **Cycle Selector** to select the appropriate cycle according to the type of material: **NORMAL**, **HEAVY DUTY**, **DEEP WASH**, **BEDDING/WATERPROOF**, **QUICK WASH**, **DELICATES**, and **RINSE+SPIN**. The relevant indicators will illuminate on the control panel.

7. At this time, you can control the wash temperature and the number of rinse cycles by pressing the appropriate option button.

8. Press **START/PAUSE** and the wash will begin. The process indicator will light up and the remaining time for the cycle will appear in the display.

### Pause Option

To remove or add laundry items, follow these steps:

1. Press **START/PAUSE** to unlock the lid.

#### NOTE

The lid cannot be opened when the water is too HOT.

2. Remove or add laundry items.

3. Close the lid, and then press **START/ PAUSE** to restart the wash.

**NOTE:** If you have Child Lock on, you must deactivate it first. See page 34.

### When the cycle is finished:

After the total cycle has finished, the power will turn off automatically.

1. Open the lid.

2. Remove laundry.

### ATC (Auto Temperature Control)

ATC is the control function that the washer controls water temperature with temperature sensor (thermistor).

**NOTE:** Because there are numerous water temperatures depending on the customer's environments (cold areas, warm areas, various water temperatures, settings of heater temperature, etc.), ATC function in our washer maintains the certain level of wash temperature to output the best washing performance at each cycle.

#### NOTE

If you select **NORMAL** cycle, this cycle is the regulation and UL cycle. Since new washers must reduce the amount of energy usage as a first priority, customers will notice more cold water entering the washer. But, this is normal, not a problem.

In those regulation cycles, Hot temperature is similar to acceptable adult bath-water temperature and warm temperature is similar to comfortable swimming-pool water temperature.

## Detergent use

- For the best cleaning results, use a high efficiency detergent such as Tide HE, Wisk HE, Cheer HE or Gain HE\*. High efficiency detergents contain suds suppressors that reduce or eliminate suds. When fewer suds are produced, the load tumbles more efficiently and cleaning is maximized. (\* Brand names are trademarks of their respective manufacturers.)

**WARNING:** For best results, use HE detergents only. Do not use regular detergent, organic detergent, natural detergent or HE detergents with natural ingredients (such as vinegar, baking soda).

**NOTE:** Reducing the amount of detergent may reduce the quality of cleaning. It is important to pre-treat stains, sort carefully by color and soil level, and avoid overloading.

## Features

### Automatic dispenser

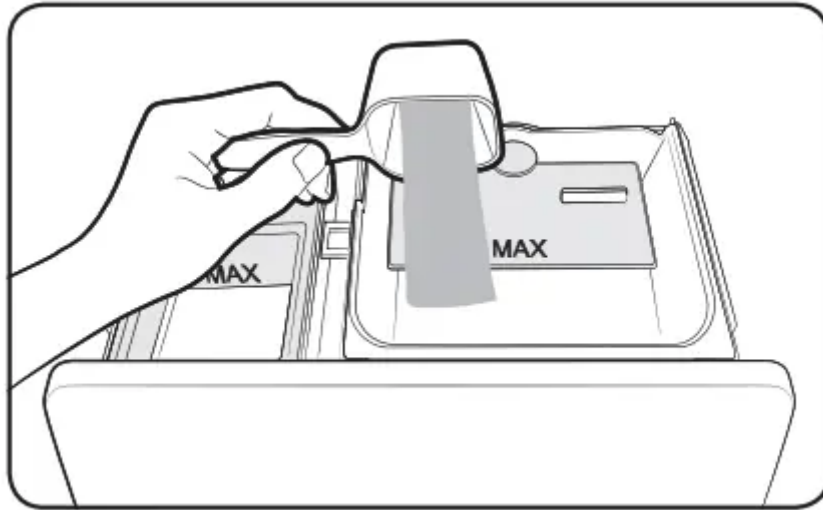
Your washer has separate compartments for dispensing detergent and color-safe bleach and fabric softener. Add all laundry additives to their respective compartments before starting your washer.

The automatic dispenser must always be in place before you start your washer. DO NOT open the automatic dispenser when your washer is running.

#### NOTE

- Never exceed the manufacturer's recommendations when adding detergent.
- This compartment holds liquid detergent for the main wash cycle, which is added to the load at the beginning of the cycle.
- When using powdered detergent, remove the liquid detergent compartment from the detergent drawer. The washer will not dispense powdered detergent from the liquid detergent compartment.

**To add detergent to the automatic dispenser:**

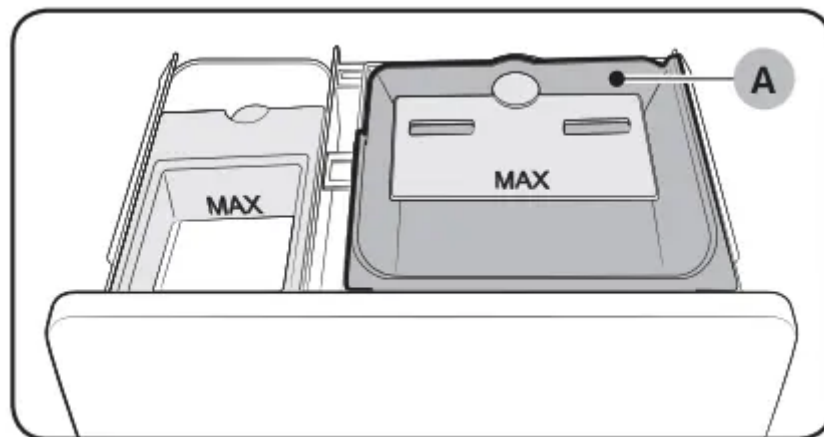


1. Open the dispenser drawer.
2. Load the recommended amount of liquid (or powder) detergent into the detergent compartment before you start your wash.
3. Close the drawer slowly and smoothly to avoid spilling, splashing, or premature dispensing of the contents.

**NOTE:** It is normal for a small amount of water to remain in the dispenser compartments at the end of the cycle.

**NOTE:** Do not put chlorine bleach in the dispenser drawer.

#### **Loading the Liquid (or Powder) detergent compartment**

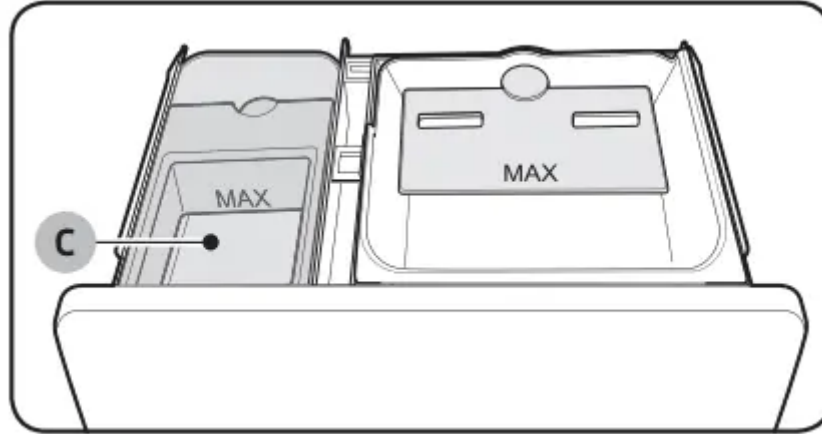


1. Pour the recommended amount of laundry detergent directly into the detergent compartment before starting your washer.
2. If you are using color-safe bleach, add it with the detergent to the detergent compartment.

**NOTE:** When adding color-safe bleach with detergent, it is best if both laundry products are in the same form – liquid.

**NOTE:** When using powdered detergent, remove the **liquid detergent compartment (A)** from the detergent drawer. The washer will not dispense powdered detergent from the liquid detergent compartment.

### Loading the Bleach compartment



**CAUTION:** Use the liquid chlorine bleach only.

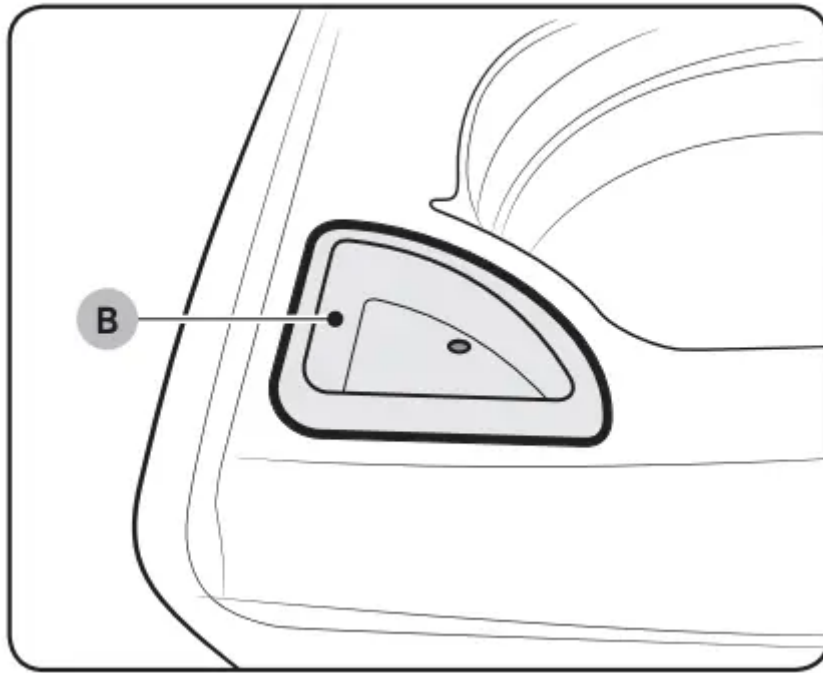
**1.** Add chlorine bleach to the **bleach compartment (B)**.

DO NOT exceed the bleach compartment.

#### **NOTE**

- Avoid splashing or over-filling the compartment.
- Never pour undiluted liquid chlorine bleach directly onto the load or into the tub. It is a powerful chemical and can cause fabric damage, such as weakening of the fibers or color loss, if not used properly.
- If you prefer to use color-safe, add it to the appropriate detergent compartment. DO NOT pour color-safe bleach into the Bleach compartment.

### Loading the fabric softener compartment



1. Pour the recommended amount of liquid fabric softener into the **softener compartment (C)**. For smaller loads, use less than one capful.
2. Dilute the fabric softener with water until it reaches MAX FILL in the compartment.
3. The dispenser automatically releases liquid fabric softener at the proper time during the rinse cycle.

#### **NOTE**

- Use the softener compartment **ONLY** for liquid fabric softeners.
- **DO NOT** use the Downy Ball\* in the fabric softener compartment with this washer. It will not add fabric softener at the appropriate time. Use the detergent compartment. (\* Brand names are trademarks of their respective manufacturers.)
- Do not use liquid fabric softener that is too sticky as it may not mix with the water sufficiently.

## **Maintenance**

**WARNING:** Certain internal parts are intentionally not grounded and may present a risk electric shock only during servicing. Service personnel – Do not contact the following parts while the appliance is energized: Control board, heat sink, motor, inlet valve, heater and pump.

### **Cleaning the exterior**

1. Turn off the water faucets after finishing the day's washing.

This will shut off the water supply to your washer and prevent the unlikely possibility of damage from escaping water. Leave the lid open to allow the inside of your washer to dry out.

2. Use a soft cloth to wipe up all detergent, bleach or other spills as they occur.
3. Clean the following as recommended: Control Panel – Clean with a soft, damp cloth. Do not use abrasive powders or cleaning pads. Do not spray cleaners directly on the panel.

## Cleaning the interior

Clean the interior of your washer periodically to remove any dirt, soil, odor, mold, mildew, or bacterial residue that may remain in your washer as a result of washing clothes.

Failure to follow these instructions may result in unpleasant conditions, including odors and/or permanent stains on your washer or laundry.

Hard water deposits may be removed, if needed. Use cleaners labeled “Washer safe”.

## Storing your washer

Washers can be damaged if water is not removed from hoses and internal components before storage. Prepare your washer for storage as follows:

1. Select the Quick Wash cycle and add bleach to the automatic dispenser. Run your washer through the cycle without a load.
2. Turn the water faucets off and disconnect the inlet hoses.
3. Unplug your washer from the electrical outlet and leave your washer lid open to let air circulate inside the drum.

If your washer has been stored in below-freezing temperatures, allow time for any leftover water in your washer to thaw out before use.

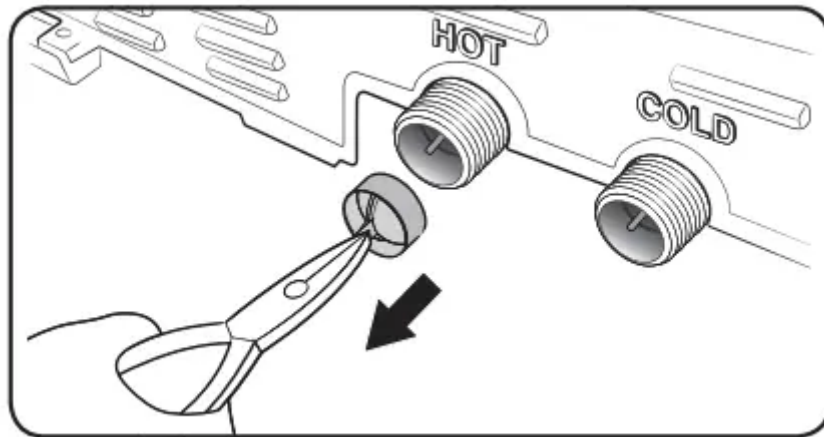
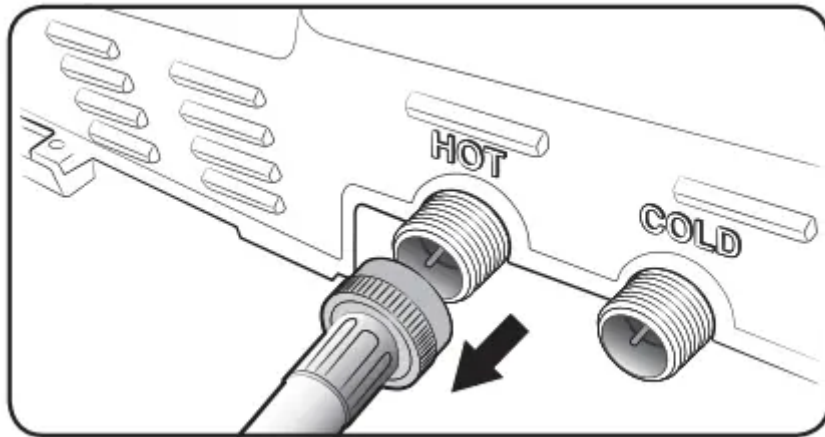
## Preserving the top cover and the front frame

Do not place any heavy or sharp objects or a detergent box on the washer. They can scratch or damage the top cover of the unit.

**NOTE:** Since the entire washer has a high-gloss finish, the surface can be scratched or damaged. Avoid scratching or damaging the surface when using the washer.

## Cleaning mesh filter

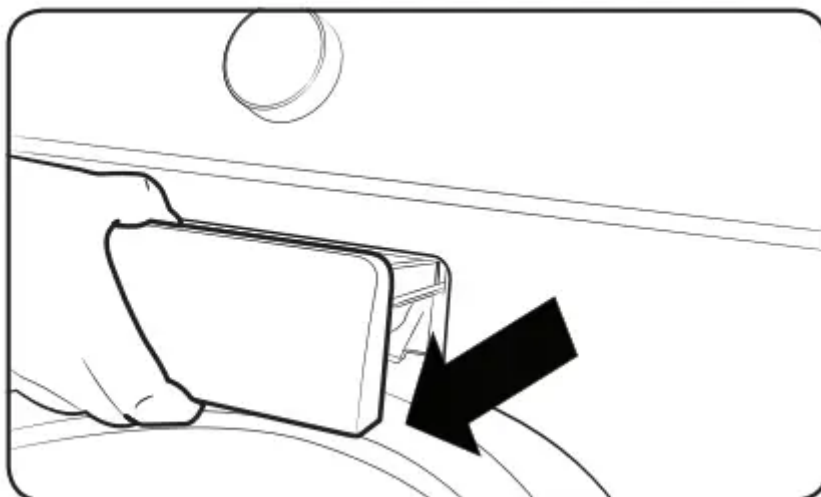
Clean the mesh filter of the water hose once or twice a year.



1. Turn off the washer, and then unplug the power cord.
2. Close the faucet.
3. Loosen and disconnect the water hose from the back of the washer. Cover the hose with a cloth to prevent water from gushing out.
4. Use pliers to pull out the mesh filter from the inlet valve.
5. Submerge the mesh filter deeply in water so that the threaded connector is also submerged.
6. Dry the mesh filter completely in a shaded area.
7. Reinsert the mesh filter into the inlet valve, and reconnect the water hose to the inlet valve.
8. Open the faucet.

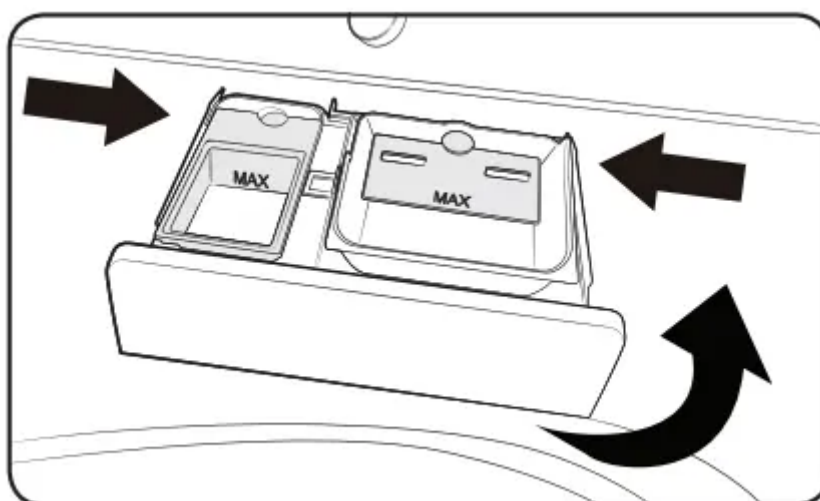
**NOTE:** If a mesh filter is clogged, the “4C” information code appears on the washer’s display screen.

## Cleaning the detergent drawer

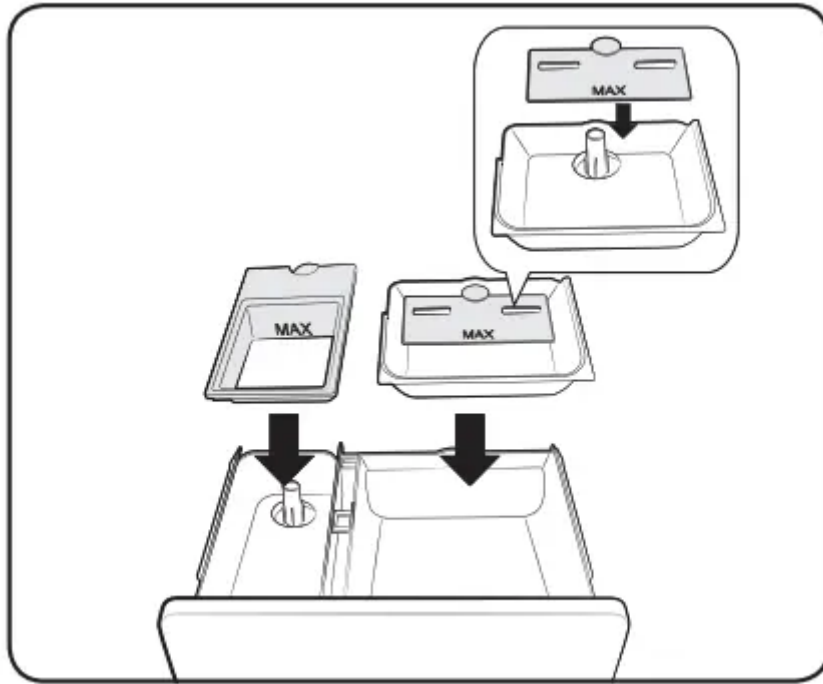


The automatic dispenser may need to be cleaned periodically due to laundry additive buildup.

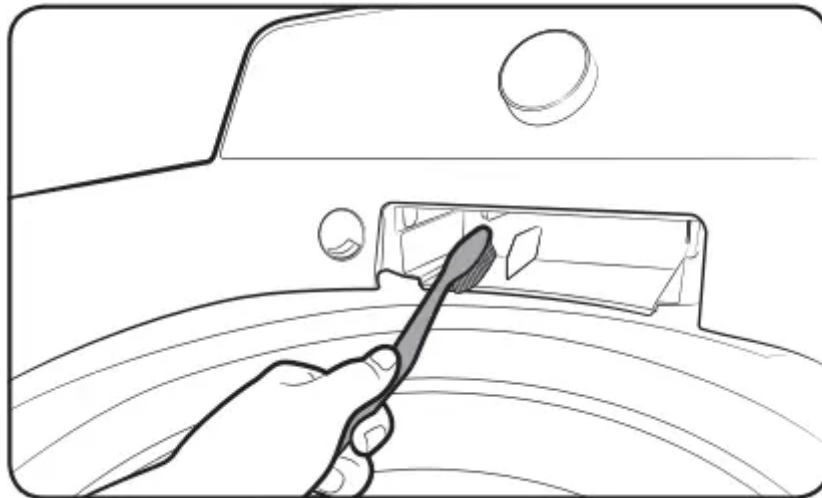
1. Pull the dispenser drawer straight back until it stops.



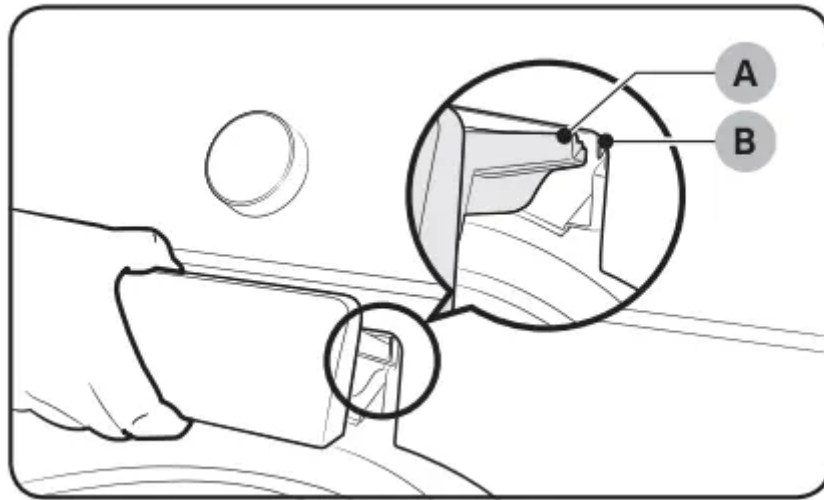
2. While pushing both sides of the dispenser drawer, lift and pull it to remove.



**3.** Remove the inserts from the 3 compartments. Rinse the inserts and the drawer with warm water to remove traces of accumulated laundry products.



**4.** To clean the drawer opening, use a small, non-metal brush to clean the recess. Remove all residue from the upper and lower parts of the recess.



5. Return the inserts to the proper compartments and replace the drawer by placing the **dispenser drawer rail (B)** on top of the **compartment rail (A)** (Tilt the dispenser drawer downward and insert it). Then push the drawer in firmly and slowly.

## Self Clean

Certain usage and environmental conditions may result in some residue build-up or odor in the washer tub. To prevent this build-up or odor and keep your washer tub fresh and clean, perform the SELF CLEAN cycle at least once a month or every 20 cycles. Perform the recommended procedure below when using the SELF CLEAN cycle.

1. Remove all items from the washer tub and ensure the tub is empty. Laundry left in the tub during the SELF CLEAN cycle may be damaged.
2. Press **POWER**.
3. Turn the **Cycle Selector** to **SELF CLEAN**.
4. Press **START/PAUSE**. SELF CLEAN begins.

### NOTE

- The water temperature for SELF CLEAN is defaulted to Hot. This temperature cannot be changed.
- In the case where residue is present in the washer tub, add 1 cup (8 fl.oz, 240 ml) of liquid chlorine bleach to the bleach compartment before you start the SELF CLEAN cycle. Do not use or mix any other detergent or chemicals during the SELF CLEAN cycle.
- If necessary, run a RINSE+SPIN Cycle after the SELF CLEAN cycle has completed to help remove any remaining residue.

## **CAUTION**

- Check the washer tub before using the SELF CLEAN cycle. Remove any remaining water in the tub by running a Spin Only cycle prior to starting the SELF CLEAN cycle.
- If there is chlorine bleach left in the washer tub for an extended period of time, rust can occur.

## **SELF CLEAN reminder**

- After 20 washing cycles, the SELF CLEAN LED reminder icon and the SELF CLEAN cycle LED will blink on the control panel for an hour and then turn off automatically.
- The reminder will appear on the control panel for 5 additional consecutive cycles before turning off. The next reminder will not appear until another 20 cycles have been completed.

# **Troubleshooting**

## **Checkpoints**

If you encounter a problem with the washer, first check the table below and try the suggestions.

Problem	Action
Does not turn on.	<ul style="list-style-type: none"> <li>• Make sure you use rated power for the product.</li> <li>• Make sure the power cord is completely plugged in.</li> <li>• Check the fuse or reset the circuit breaker.</li> </ul>
Does not start.	<ul style="list-style-type: none"> <li>• Make sure the door is closed.</li> <li>• Make sure the water taps are open.</li> <li>• Make sure to press or tap <b>START/PAUSE</b> to start the washing machine.</li> <li>• Make sure Child Lock is not activated.</li> <li>• Before the washing machine starts to fill, it will make a series of clicking noises to check the door lock and does a quick drain.</li> <li>• Was the door opened during the spinning cycle? Close the door, and press or tap <b>START/PAUSE</b> to resume.</li> <li>• The machine enters Standby or is in a soaking cycle. Please wait.</li> <li>• Check the fuse or reset the circuit breaker.</li> </ul>
Water is not supplied.	<ul style="list-style-type: none"> <li>• Make sure you press or tap <b>START/PAUSE</b> after selecting the water supply.</li> <li>• Make sure the water taps are open.</li> <li>• Is the filter net at the water supply hose connector clogged? Clean the filter net by brushing with a toothbrush.</li> <li>• Is the water supply cut off? If the water supply is cut off, close the tap and power off.</li> <li>• Straighten the water supply hoses.</li> <li>• Open and close the door, then press or tap <b>START/PAUSE</b>.</li> <li>• If the water pressure is low, it takes longer to start washing.</li> <li>• If the water level is not as high as necessary or lower than expected, use the level selector to adjust the water level.</li> </ul>
After a cycle, detergent remains in the automatic dispenser.	<ul style="list-style-type: none"> <li>• Make sure the washing machine is running with sufficient water pressure.</li> <li>• Make sure the detergent drawer is properly inserted.</li> <li>• Remove and clean the detergent drawer, and then try again.</li> </ul>



<p>Vibrates excessively or makes noise.</p>	<ul style="list-style-type: none"> <li>• Make sure the washing machine is set on a level floor. If the floor is not level, use the levelling feet to adjust the washing machine.</li> <li>• Make sure the washing machine is not contacting any other object.</li> <li>• Make sure the laundry load is balanced.</li> <li>• Make sure the laundry is spread evenly in the washing machine. Spread out the laundry evenly and start again.</li> <li>• Make sure the space around the washing machine is free of objects.</li> <li>• Humming is produced normally during operation.</li> <li>• Objects such as coins can cause noise. Remove these objects from the washing machine after washing is complete.</li> </ul>
<p>Stops.</p>	<ul style="list-style-type: none"> <li>• Plug the power cord into a live electrical outlet.</li> <li>• Check the fuse or reset the circuit breaker.</li> <li>• Close the door, and press or tap <b>START/PAUSE</b> to start the washing machine. For your safety, the washing machine will not spin unless the door is closed.</li> <li>• Before the washing machine starts to fill, it will make a series of clicking noises to check the door lock and does a quick drain.</li> <li>• There may be a pause or soak period in the cycle. Wait briefly and the washing machine may start.</li> <li>• Make sure the inlet hose screens at the taps are not clogged. Periodically clean the screens.</li> <li>• This problem occurs temporarily due to low voltages, and will be solved when power recovers.</li> </ul>
<p>Fills with the wrong temperature water.</p>	<ul style="list-style-type: none"> <li>• Fully open both water taps.</li> <li>• Make sure the temperature selection is correct.</li> <li>• Make sure the hoses are connected to the correct water taps. Flush water lines.</li> <li>• Disconnect the hoses and clean the screens. The hose filter screens may be clogged.</li> <li>• While the washing machine fills, the water temperature may change as the automatic temperature control feature checks incoming water temperature. This is normal.</li> </ul>



	<ul style="list-style-type: none"> <li>• While the washing machine fills, you may notice just hot and/ or just cold water going through the dispenser when cold or warm temperatures are selected. This is a normal function of the automatic temperature control feature as the washing machine determines the water temperature.</li> </ul>
<p>Door (Lid) locked or will not open.</p>	<ul style="list-style-type: none"> <li>• While the washing machine is operating, press or tap <b>START/ PAUSE</b> to stop the washing machine.</li> <li>• It may take a few moments for the door lock mechanism to disengage.</li> </ul>
<p>Does not drain and/ or spin.</p>	<ul style="list-style-type: none"> <li>• Check the fuse or reset the circuit breaker.</li> <li>• Make sure the electrical voltage is normal.</li> <li>• Make sure the washing machine is plugged in.</li> <li>• Make sure the drain hose is pointed downward. (Natural drain models only)</li> <li>• Make sure the drain hose is not clogged.</li> <li>• Make sure the drain hose is not kinked.</li> <li>• Straighten the drain hose. If there is a drain restriction, call for service.</li> <li>• Close the door, and press or tap <b>START/PAUSE</b>. For your safety, the washing machine will not spin unless the door is closed.</li> </ul>
<p>Load is wet at the end of the cycle.</p>	<ul style="list-style-type: none"> <li>• Use the High or Extra High spin speed. (Applicable model only)</li> <li>• Use high efficiency (HE) detergent to reduce oversudsing.</li> <li>• Load is too small. Small loads (one or two items) may become unbalanced and not spin completely.</li> </ul>
<p>Leaks water.</p>	<ul style="list-style-type: none"> <li>• Make sure all hose connections are tight.</li> <li>• Make sure the water supply hose's rubber packing is in the correct position. Screw tightly again.</li> <li>• Make sure the end of the drain hose is correctly inserted and secured to the drain system.</li> <li>• Avoid overloading.</li> <li>• Use high efficiency (HE) detergent to prevent oversudsing.</li> <li>• Make sure the water supply hose is not kinked.</li> </ul>



	<ul style="list-style-type: none"> <li>• If the water supply is too strong, water may leak. Close the water tap a little.</li> <li>• Make sure water is not leaking from the water tap. If so, repair the water tap.</li> </ul>
Excessive suds.	<ul style="list-style-type: none"> <li>• Use high efficiency (HE) detergent to prevent oversudsing.</li> <li>• Reduce the detergent amount for soft water, small loads, or lightly soiled loads.</li> <li>• Non-HE detergent is not recommended.</li> </ul>
The spin basket or drain/supply hose is frozen.	<ul style="list-style-type: none"> <li>• Use warm water to disconnect the water supply hose and drain hose. Soak them in warm water.</li> <li>• Fill the spin basket with warm water, and then wait for about 10 minutes.</li> <li>• Put a hot towel on the drain hose connector.</li> <li>• Reconnect the water supply hose and drain hose, and check if water is supplied properly.</li> </ul>
Water drains out immediately.	<ul style="list-style-type: none"> <li>• Make sure the drain hose is not clogged, and is hung over the drain hose hook. Fill the spin basket halfway with water, and try spinning again.</li> <li>• Lift the end of the drain hose to prevent water from draining. Fill the spin basket halfway with water, and then run spinning after releasing the drain hose.</li> <li>• Make sure the drain hose is installed correctly. See the installation section of this user manual and adjust the position of the drain hose as instructed.</li> </ul>
Stains on clothes.	<ul style="list-style-type: none"> <li>• Select an appropriate cycle for the laundry. Use the Heavy Duty cycle for stained clothes.</li> <li>• Apply a recommended amount of detergent as instructed by the detergent manufacturer.</li> <li>• Clean the magic filter (if it comes with your washer) on a regular basis.</li> </ul>
Has odours.	<ul style="list-style-type: none"> <li>• Excessive suds collect in recesses and can cause foul odours.</li> <li>• Run cleansing cycles to sanitize periodically.</li> </ul>



- Dry the washing machine interior after a cycle has finished.

If a problem persists, contact a local Samsung service center.

## **Information codes**

The washer may display information codes to help you understand what is occurring with your washer better.

Code	Meaning
1C	<p>The WaterLevel sensor is not working properly.</p> <ul style="list-style-type: none"> <li>• Check WaterLevel Sensor wire harness.</li> <li>• If the information code remains, contact a customer service centre.</li> </ul> <p><b>NOTE:</b> When the washer displays “<b>1C</b>”, the washer do draining for 3 minutes. During this time, the <b>POWER</b> button is inoperative.</p>
3C	<p>Check the motor for operation.</p> <ul style="list-style-type: none"> <li>• Try restarting the cycle.</li> <li>• If the problem continues, call for service.</li> </ul>
4C	<p>Water is not supplied.</p> <ul style="list-style-type: none"> <li>• Make sure the water taps are open.</li> <li>• Make sure the water hoses are not clogged.</li> <li>• Make sure the water taps are not frozen.</li> <li>• Make sure the washing machine is operating with sufficient water pressure.</li> <li>• Make sure that the cold water tap and the hot water tap are properly connected.</li> <li>• Clean the mesh filter as it may be clogged.</li> </ul> <p><b>NOTE:</b> When the washer displays “<b>4C</b>”, the washer do draining for 3 minutes. During this time, the <b>POWER</b> button is inoperative.</p>
4C2	<ul style="list-style-type: none"> <li>• Make sure the cold water supply hose is firmly connected to the cold water tap. If it is connected to the hot water tap, the laundry may be deformed with some cycles.</li> </ul>
5C	<p>Water is not draining.</p> <ul style="list-style-type: none"> <li>• Make sure the drain hose is not frozen or clogged.</li> <li>• Make sure the drain hose is positioned correctly, depending on the connection type.</li> <li>• Clean the debris filter as it may be clogged.</li> <li>• Make sure the drain hose is straightened all the way to the drain system.</li> <li>• If the information code remains, contact a customer service centre.</li> </ul>
9C1	



	<p>The electronic control needs to be checked (Over Voltage Error).</p> <ul style="list-style-type: none"> <li>• Check the PCB and wire harness.</li> <li>• Check if power is supplied properly.</li> <li>• If the information code remains, contact a customer service centre.</li> </ul>
9C2	<p>Low voltage detected</p> <ul style="list-style-type: none"> <li>• Check if the power cord is plugged in.</li> <li>• If the information code remains, contact a customer service centre.</li> </ul>
AC6	<p>Inverter Communication problem</p> <ul style="list-style-type: none"> <li>• Check the Inverter PCB and wire harness.</li> <li>• If the information code remains, contact a customer service centre.</li> </ul>
dC	<p>Operating the washer with the door open.</p> <ul style="list-style-type: none"> <li>• Make sure the door is properly closed.</li> <li>• Make sure laundry is not caught in the door.</li> </ul>
HC	<p>High temperature heating check.</p> <ul style="list-style-type: none"> <li>• If the information code remains, contact a customer service centre.</li> </ul>
LC	<p>Check the drain hose.</p> <ul style="list-style-type: none"> <li>• Make sure the end of the drain hose is placed on the floor.</li> <li>• Make sure the drain hose is not clogged.</li> <li>• If the information code remains, contact a customer service centre.</li> </ul> <p><b>NOTE:</b> When the washer displays “<b>LC</b>”, the washer do draining for 3 minutes. During this time, the <b>POWER</b> button is inoperative.</p>
OC	<p>Water is overflowed.</p> <ul style="list-style-type: none"> <li>• Restart after spinning.</li> <li>• If the information code remains on the display, contact a local Samsung service centre.</li> </ul>

PC	<p>When position of the clutch can't be detected.</p> <ul style="list-style-type: none"> <li>• If the information code remains, contact a customer service centre.</li> </ul>
PC1	<p>After position of the clutch is detected, if the signal of the clutch hall goes wrong.</p> <ul style="list-style-type: none"> <li>• If the information code remains, contact a customer service centre.</li> </ul>
Ub	<p>Spinning does not work.</p> <ul style="list-style-type: none"> <li>• Make sure laundry is spread out evenly.</li> <li>• Make sure the washing machine is on a flat, stable surface.</li> <li>• Redistribute the load. If only one item of clothing needs washing, such as a bathrobe or pair of jeans, the final spin result might be unsatisfactory, and an “Ub” check message will be</li> </ul> <p>1. shown in the display.</p>
Ur	<p>Additional rinsing.</p> <ul style="list-style-type: none"> <li>• Show additional rinsing in sensing unbalance.</li> <li>• Method of releasing the display.</li> </ul> <p>Any key input.</p>
dn	<p>Firmware update is in progress through SmartThings.</p> <ul style="list-style-type: none"> <li>• To use the product, wait about 30 minutes until the firmware update completes. (The time required to complete the firmware update may vary depending on your Internet connection.)</li> <li>• This code will remain on the display, regardless of power on and off, until the firmware update is complete.</li> </ul>





For any codes not listed above, call 1–800–726–7864 (1–800–SAMSUNG).

## Specifications

### Fabric care chart

The following symbols provide garment care direction. The clothing care labels include symbols for drying, bleaching, drying and ironing, or dry cleaning when necessary. The use of symbols ensures consistency among garment manufacturers of domestic and imported items. Follow care label directions to optimize garment life and reduce laundering problems.

## Wash cycle

	Normal
	Permanent press/Wrinkle resistant/Wrinkle control
	Gentle/Delicates
	Hand wash




## Water temperature

...	Hot
..	Warm
.	Cold

**NOTE:** This represents appropriate wash water temperatures for various items. The temperature range for Hot is 105° - 125 °F / 41° - 52 °C, for Warm 85° - 105 °F / 29° - 41 °C and for Cold 60° - 85 °F / 16° - 29 °C. (Wash water temperature must be a minimum of 60 °F / 16 °C for detergent activation and effective cleaning.)

The clothes washer can not ensure these temperatures because the actual temperature of the water entering your washer depends on water heater settings and regional water supply temperatures. For example, cold water entering the home in the northern states during winter may be 40 °F / 4 °C which is too cold for effective cleaning. In this situation, you will need to adjust the water temperature by selecting a warm setting, adding some hot water to the MAX FILL line, or using your Washer's heating option, if available.



## Bleach

	Any bleach (when needed)
	Only non-chlorine (color-safe) bleach (when needed)
	Tumble dry



## Normal

	Permanent press/Wrinkle resistant/Wrinkle control
	Gentle/Delicates


## Special instructions

	Line dry/Hang to dry
	Drip dry
	Dry flat







## Heat setting

	High
	Medium
	Low
	Any heat
	No heat / Air

### Iron dry or steam temperatures






	High
	Medium
	Low

### Warning symbols for laundering

	Do not wash
	Do not wring
	Do not bleach
	Do not tumble dry
	No steam (added to iron)
	Do not iron

### Dry-clean



	Dry-clean
	Do not dry-clean
	Line dry / Hang to dry
	Drip dry
	Dry flat

### Helping the environment

- Your washer is manufactured from recyclable materials. If you decide to dispose of it, please observe local waste disposal regulations. Cut off the power cord so that the appliance cannot be connected to a power source. Remove the lid so that animals and small children cannot get trapped inside the appliance.
- Do not exceed the detergent quantities recommended in the detergent manufacturers' instructions.
- Use stain removal products and bleaches before the wash cycle only when necessary.
- Save water and electricity by only washing full loads (the exact amount depends upon the program used).

### Declaration of conformity

This appliance complies with UL2157.

## Specification sheet



Type		Top loading washer	
Model name		WA45T3200A*, WA44A32**A*	
Dimensions (inches (cm))	A. Height	43.9 (111.7)	
	B. Width	27.0 (68.6)	
	C. Height with lid open	59.3 (150.5)	
	D. Depth	29.3 (74.4)	
Water pressure (psi (kPa))		20 - 116 (137 - 800)	
NET weight (kg (lb))		59 (130.1)	
Spin revolution		700 rpm	
Heater rating	Washing	120 V	700 W
	Spin		400 W
	Drain		80 W

**NOTE:** You can fill the tub with dry, unfolded clothes, but DO NOT OVERLOAD the tub.

### Cycle chart

Use this chart to set the best cycle and options for you laundry.

**NOTE**

Setting	Temp.	Water Level	Soil
●: factory setting	H: Hot	EH: Extra High	H: Heavy
●: can be selected	W: Warm	H: High	N: Normal
	EW: Eco Warm	M: Mid	L: Light
	C: Cool	L: Low	
	CD: Cold	AL: Auto Level	

Cycle	Functions													Option		
	Temp.					Water Level					Soil			Extra Rinse	Spin Only	
	H	W	EW	C	CD	EH	H	M	L	AL	H	N	L			
NORMAL	●	●	●	●	●	●	●	●	●	●	●	●	●	●	●	●
HEAVY DUTY	●	●	●	●	●	●	●	●	●	●	●	●	●	●	●	●
DELICATES		●	●	●	●	●	●	●	●				●	●	●	●
BEDDING/WATERPROOF	●	●	●	●	●	●	●	●	●		●	●	●	●	●	●
QUICK WASH	●	●	●	●	●	●	●	●	●		●	●	●	●	●	●
DEEP WASH	●	●	●	●	●	●	●	●			●	●	●	●	●	●
RINSE+SPIN						●	●	●	●					●	●	●
SELF CLEAN	●						●									

### Warning

This content is compiled from multiple sources and is provided for reference purposes only. It may not be complete or fully applicable to all situations. If you are unable to resolve your issue, please contact the product manufacturer or an authorized service provider for official support.