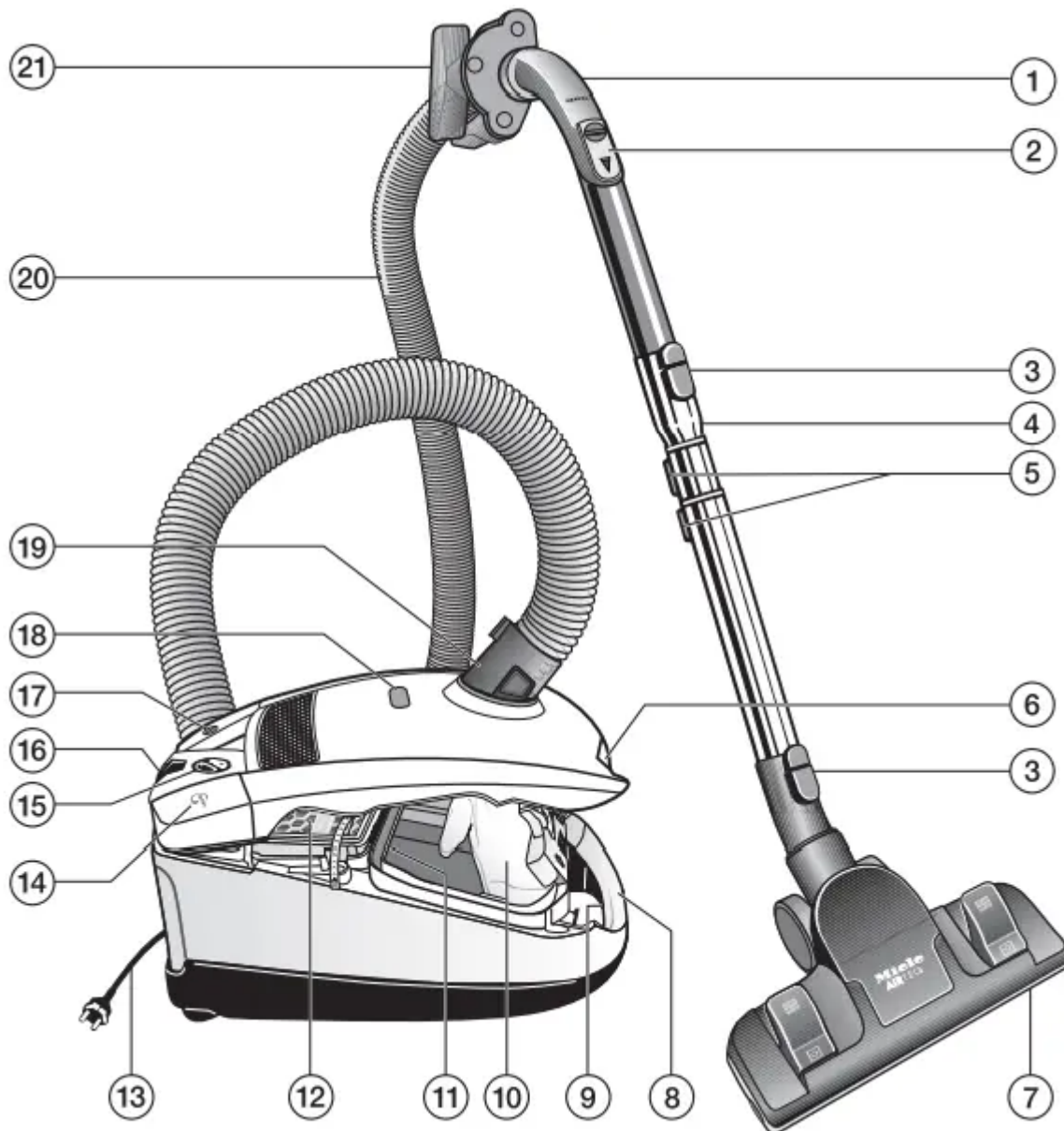



Guide to the vacuum cleaner



The illustrations show the vacuum cleaner and all available options.

1. Hand piece XXL *
2. Air inlet valve *
3. Lock release button
4. Three piece telescopic wand *
5. Telescopic wand release button *
6. Dust compartment lid release
7. Floor brush *

8. Carrying handle
9. Socket for Powerbrush *
10. Filter bag
11. Dust compartment filter (pre-motor filter)
12. Exhaust filter *
13. Power cord
14. Cord rewind switch
15. Suction power selector
16. Park-System
17. On/Off  foot switch
18. Airflow indicator
19. Hose connector *
20. Suction hose *
21. Accessory clip

The features marked * may vary or not be available on your model.

Some models are supplied with a Miele Powerbrush or Turbobrush as standard (not illustrated). Separate operating and maintenance instructions are supplied with these brushes

Using the included accessories (see fig. 16)

The following accessories are included:

1 Dust brush with natural bristles

For cleaning moldings, decorative or carved items, etc.

The head of the dusting brush can be swivelled to attain the best cleaning position.

For dusting particularly delicate objects.

2 Upholstery tool

For cleaning upholstery, mattresses, cushions, curtains, covers, etc.

3 Crevice nozzle

For cleaning in folds, crevices and corners.

4 Accessory clip for the included accessories (see fig. 17)

Position the accessories as indicated with the symbols on the accessory holder.

- Insert the accessory holder either on the hand piece at the handle or on the hose connector of the vacuum cleaner.

Standard floor brush (see fig. 18) (depending on model)

- For safety, when vacuuming stairs it is best to start at the bottom and move upwards.

Some models are supplied with a Miele Powerbrush or Turbobrush as standard. Separate operating and maintenance instructions are supplied with these brushes

Operation

Power cord

WARNING

Unwind the cord completely to aid the vacuum in dissipating heat.

Do not pull or carry by the cord, use the cord as a handle, close a door on the cord, or pull the cord around sharp edges or corners. Do not run the appliance over the cord. Keep the cord away from heated surfaces.

Do not unplug by pulling the cord. To unplug grasp the plug, not the cord.

This appliance is equipped with a power cord reel. Hold the plug when rewinding onto cord reel. Do not allow plug to whip when rewinding.

Unwinding (see fig. 19)

- Hold the plug and pull out the power cord.

WARNING

To reduce the risk of electric shock, the vacuum has a polarized plug (one blade is wider than the other). This plug will fit in a polarized outlet only one way. If the plug does not fit fully in the outlet, contact a qualified electrician. Do not alter the plug in any way.

Danger of overheating and damage.

Rewinding (see fig. 20)

- Unplug the vacuum from the outlet.
- Press the rewind switch - the power cord will rewind automatically. Hold the plug so that it does not whip around when rewinding.

Turning the vacuum on and off (see fig. 21)

- Press the On/Off  button.

While vacuuming (see fig. 22 + 23)

- The vacuum cleaner can also stand on its end for vacuuming stairs, drapes etc.

WARNING

To prevent static electricity your hand must touch the metal inlay on the underside of the vacuum hand piece. Be certain to continuously touch this inlay when vacuuming fine dust, flour or sawdust

as these materials are more likely to create a static discharge. To further prevent static discharge, pull the vacuum along by the hose with one hand while continuing to hold the hand piece in the other hand.

Rotary dial (see fig. 24)

- Turn the rotary dial to the desired suction power setting.


Adjusting the suction


You can adjust the suction power to suit the type of flooring. By reducing the suction power the floor brush can be pushed easier.

The symbols on the controls indicate the type of use the settings are suitable for:

 Curtains, lightweight fabrics

 Upholstery, cushions

 Thick pile carpets, rugs and runners

 Energy saving, daily vacuuming with low noise level

 Low pile carpets

 Hard flooring and intensive cleaning of carpets

When using the AirTeQ Combination Floor Tool, if the suction seems too high, reduce the suction until the tool is easier to move across the floor.

Opening the air inlet valve (see fig. 25) (depending on model)

The air inlet valve can be opened to quickly reduce the suction power of the tool being used, e.g. when moving from a carpet to an area rug.

- Open the air inlet valve far enough to reduce the suction power.

Opening the air inlet valve reduces the power to the tool being used.

Parking, transport and storage

Park-System (see fig. 26)

The Park system allows you to conveniently park the wand and floor brush on the vacuum cleaner during brief pauses.

- Insert the lower clip on the floor brush into the slot on the end of the vacuum cleaner from above.

When vacuuming on a sloping surface, e.g. on a ramp, push all telescopic tubing parts completely together.

Park-System for storage (see fig. 27) (depending on model)

Turn the vacuum cleaner off after use. Unplug the power plug from the electrical outlet.

- Stand the vacuum cleaner upright.

It is helpful to completely insert the tubes into the telescopic wand.

- Insert the suction unit with the parking slot from above into either side of the Park-System.

This makes the vacuum cleaner easier to carry and store.

Maintenance and care

Turn off and unplug the vacuum cleaner before performing any maintenance work.

The Miele filter system consists of the following three components.

- Filter bag
- Exhaust filter
- Dust compartment filter

Each of these components must be changed periodically to maintain the vacuum cleaner's efficiency.

Purchasing new filter bags and filters

Original Miele filter bags and filters can be purchased from an authorized Miele vacuum dealer

Which filter bags and filters are the right ones?

This vacuum cleaner uses Original Miele filter bags Type F/J/M and Original Miele filters. The "Original Miele" Logo will appear on the packaging or directly on the filter bag.



An "AirClean" exhaust filter and a dust compartment filter are supplied with every box of Miele filter bags.

If you would like to purchase additional Miele filters separately, contact your vacuum dealer or Miele, please quote the model number of your Miele vacuum cleaner to ensure correct parts are ordered. These parts are also available to order from the online Miele store.

The exhaust filter supplied with the vacuum cleaner can be exchanged with another type of Original Miele filter see "Exchanging exhaust filters").

When to change the filter bag (see fig. 28)

Change the filter bag when the colored marker in the airflow indicator fills the display.

Miele filter bags are disposable and made to be used only once. Do not attempt to reuse.

Checking the airflow indicator

- Attach the standard floor brush (depending on model) to the vacuum cleaner. Perform this test with the standard floor brush only, since other attachments can affect the function of the airflow indicator.
- Turn the vacuum cleaner on and select the highest power setting.
- Lift the floor brush slightly off the floor. If the marker completely fills the indicator window, the filter bag needs to be changed.

How the airflow indicator works

The airflow indicator is designed to show when the bag is full of common household dust and measures the amount of air flow through the filter bag. Normal household dust is a mixture of dust, hair, carpet fluff, threads, sand, etc.

However, if fine dust, such as drill dust, sand, plaster or flour is vacuumed, the pores of the filter bag may become blocked. The marker will indicate that the bag is "full" even when it is not. The filter bag should be changed as the suction power is greatly reduced.

If the bag is bulging with pet fur, hair, carpet fluff, etc. the indicator may not register "full". This is because the air flow of the filter bag may still be high enough not to activate the marker to show maximum. The filter bag should still be changed.

Replacing the filter bag (see fig. 29 + 30)

- Open the dust compartment lid and raise until it clicks into place (see fig. 11).

The filter bag has a closing flap which closes automatically when the dust compartment lid is raised to prevent any dust from escaping.

- Grasp the finger grip and pull the filter bag out of the holder.
- Insert the new filter bag as far as it will go into the filter bag holder. Do not unfold the filter bag when taking it out of the box.
- Unfold the filter bag in the dust compartment.
- Close the dust compartment lid until it clicks into place. Take care not to catch the filter bag in the lid.

WARNING A empty-operation-barrier will block the dust compartment lid from closing if no filter bag is inserted. Do Not Use Force!

When to change the dust compartment filter (motor protection)

Replace the dust compartment filter every time you start a new box of filter bags. A dust compartment filter is supplied with each box of Miele filter bags.

Replacing the dust compartment filter (motor protection) (see fig. 31)

- Open the dust compartment lid.
- Remove the filter bag.
- Open the filter frame, remove the old filter and replace with a new one.
- Close the filter frame.
- Replace the filter bag.
- Close the dust compartment lid firmly until it clicks into place, making sure the filter bag does not get caught

Replacing the exhaust filter

Depending on model, the vacuum cleaner will be equipped with one of the following exhaust filters (see fig. 10):

a AirClean Filter

An "AirClean" filter is supplied with every box of Miele filter bags. It should be replaced each time a new box of bags is started.

b Active AirClean 50 Filter (black)

c HEPA AirClean 50 Filter (white)

If the display of the exhaust filter change indicator has turned fully red (see fig. 15).

The indicator light will come on after approx. 50 hours of operation, which is equivalent to one year of average use. The vacuum cleaner can still be used however, the filter performance and suction power will be reduced.

Replacing the "AirClean" filter (see fig. 32 + 33)

Do not use more than one filter at a time.

- Open the dust compartment lid.
- Squeeze the release for the filter frame and open until it clicks.
- Grasp one of the two clean corners (see arrow) to remove the used AirClean exhaust filter.
- Insert the new filter.

If you wish to replace the AirClean filter with an Active AirClean 50 filter or HEPA AirClean 50 filter see "Maintenance and care - Exchanging exhaust filters".

- Close the dust compartment lid firmly until it clicks into place.

Replacing the "Active AirClean 50" filter and the "HEPA AirClean 50" filter (see fig. 34 + 35)

Do not use more than one filter at a time.

- Open the dust compartment lid.
- Remove the exhaust filter.
- Insert the new filter.
- Press the exhaust filter change indicator -> (see fig. 13).
- After about 10-15 seconds, a small red marker will appear in the left-hand side of the display (see fig. 14).

If you wish to replace the Active AirClean 50 filter or the HEPA AirClean 50 filter with an AirClean filter see "Maintenance and care - Exchanging exhaust filters".

- Close the dust compartment lid firmly until it clicks into place.

Exchanging exhaust filters

1. If you wish to replace the a AirClean filter with the b Active AirClean 50 filter or the c HEPA AirClean 50 filter, you must remove the filter frame before inserting the new filter (see fig. 35). The exhaust filter change indicator must also be activated (see fig. 13).
2. If you use an AirClean filter a you must insert it into a filter frame (see fig. 33), see "Optional accessories".

Do not use more than one filter at a time.

The Active AirClean 50 filter can be used instead of the HEPA AirClean 50 filter and vice versa without any changes.

When to change the thread catcher pads of the standard floor brush (depending on model)

The thread catcher pads on the bottom of the standard floor brush (depending on model) should be checked occasionally. Replace the pads if they appear worn.

Replacing the thread catchers (see fig. 36 + 37)

- Use a screwdriver or similar object to remove the thread catchers from the slots.
- Insert the new thread catchers.

New thread catcher pads can be purchased from any authorized Miele vacuum dealer or Miele.

Cleaning the floor roller of the floor brush AllTeQ (see fig. 38)

1. Unlock the roller pin with a coin.
2. Push the pin out and remove it.
3. Remove the roller.
 - Remove any threads and hair from the roller.
 - Replace roller in the reverse order.

Cleaning and care

Turn off the vacuum and unplug it from the outlet before performing any maintenance work.

Vacuum cleaner and accessories

The vacuum cleaner and other plastic accessories can be cleaned with a damp cloth or a cleaner suitable for plastics.

Do not use abrasive, glass or all purpose cleaners, or oil-based conditioning agents! They will damage the surface.

Dust compartment

The dust compartment can, if necessary, be cleaned using a dry cloth, dusting brush or a second vacuum to remove any dust.


Monitor the airflow indicator and inspect all filters regularly. Clean or replace them when necessary according to these Operating Instructions.

Frequently asked questions

WARNING Turn off and unplug the vacuum cleaner before performing any maintenance work.

What if the vacuum turns off automatically?

The vacuum has overheated. The temperature limiter automatically turns the vacuum off.

This can occur if, for instance, large articles block the suction tube or when the filter bag is full or contains particles of fine dust. A heavily soiled exhaust or dust compartment filter can also be the cause of overheating. Turn the vacuum off  and pull the plug from the outlet.

Check for any blockages and allow the vacuum to cool for 30 minutes.

After sales service

In the event of a fault which you cannot fix yourself please contact the Miele Service Department at the phone number listed on the back of this booklet.

- Please quote the model type of your appliance.

This can be found on the data plate on the bottom of the vacuum.

Optional accessories

Observe the cleaning instructions of the floor manufacturer.

Many of these accessories as well as other products can be purchased from the Miele Store

Some models come standard with one or more of the following accessories.

Powerbrushes

To connect a Powerbrush you also need :

- Electro telescopic wand SET 220
- Electro suction hose SES 117.

Powerbrush SEB 217-3 (EB02)

The Powerbrush is particularly suitable for cleaning and restoring crushed carpet pile of wall to wall carpeting and floor coverings subject to hard wear, especially in high traffic areas.

Powerbrush SEB 228 (EB03)

This Powerbrush is similar to the SEB 217-3 with the addition of a height adjustable brush, allowing it to also be used on smooth floor surfaces.

Powerbrush SEB 236 (EB01)

This Powerbrush is similar to the SEB 228 except it also includes a headlight and multifunction indicator.

Turbo / Floor brushes

Turbobrush Turbo Comfort - 3

Intended for cleaning short to medium pile carpeting.

Hand Turbobrush Turbo Mini

Intended for vacuuming upholstery, mattresses, car seats, carpeted stairs and other areas inaccessible with the standard Turbobrush.

Floor brush Hard floor - 3

To vacuum sturdy hard floors, e.g. tiles and stone floors.

Floor brush Parquet - 3

Special brush with natural bristles intended for cleaning parquet and laminate floors, especially those susceptible to scratching.

Floor brush Parquet Twister with swiveling head

For cleaning all hard flooring, e.g. parquet and tiles. Especially suitable for vacuuming niches and tight spaces.

Floor brush Parquet Twister XL with swiveling head

For cleaning large areas of hard flooring, e.g. parquet and tiles.

LIMITED WARRANTY - VACUUM CLEANERS

What This Warranty Covers And For What Period The Coverage Extends

Miele, Inc. (hereinafter "Miele") warrants to the original purchaser of this product, living in the United States of America, who purchased their vacuum from a Miele authorized distributor or dealer:

- a. That this product, including all of its Miele authorized parts is free of defects in material and workmanship.
- b. That this product, if found to be defective within the stated warranty period, will be repaired free of charge to the consumer (both parts and labor) by an authorized Miele service agent.
- c. The warranty period for vacuum cleaners (excepting the S8990 and RX1 Scout), and all accessories, excluding vacuum cleaner motors, power head motors, and vacuum cleaner casings (body), is one (1) year from the date of purchase. For the S8990, the warranty period is five (5) years from the date of purchase.
- d. For vacuum cleaner casings (body), the warranty period will be as follows:
 - The structural integrity of the vacuum cleaner casing (body), will be covered for seven (7) years from the date of purchase against defects in material and workmanship on the S2xxx, S4xxx, S5xxxx, S6xxx, S7xxx, S8xxx, S160 and S190 product series.
 - The structural integrity of the vacuum cleaner casing (body) of the S8990 will be covered for ten (10) years from the date of purchase against defects in material and workmanship.
- e. For vacuum cleaner and power head motors, the warranty period will be as follows:
 - Vacuum cleaner and power head motors will be covered for seven (7) years from the date of purchase on the S2xxx, S4xxx, S5xxx, S6xxx, S7xxx, S8xxx, S160 and S190 product series.
 - Vacuum cleaner and power head motors for the S8990 will be covered for ten (10) years from the date of purchase.
- f. For the RX1 Scout, the warranty period is two (2) years from the date of purchase for the complete vacuum, except for the battery, which will be warranted for one (1) year from the date of purchase.

Vacuum cleaners other than the RX1 Scout used for commercial purposes, except for their motors, will be warranted for a period of six (6) months from the date of purchase. The motors of commercially used upright vacuums will be warranted for one (1) year and the motors of all other commercially used vacuum cleaners, except for the RX 1 Scout will be warranted for two (2) years. There is no warranty for the RX1 Scout used for commercial purposes. Thereafter this Limited Warranty shall be null and void.

This warranty only applies while the product remains within the United States, and shall be null and void in any other US territories, possessions, or foreign countries.

What is not covered by this Warranty

This warranty does not cover damage or defects caused by or resulting from repairs, service or alterations to the product or any of its parts or accessories which have been performed by service centers or repairmen not authorized by Miele, or damage or defects caused by negligence, accident, abuse, misuse, improper or abnormal usage or maintenance of the product, its parts or accessories. Ordinary wear and tear or cosmetic damage (scuffs, scratches, gouges, dents, etc.) shall not be considered a defect in materials or workmanship.

Exclusion of Other Warranties

Except for the limited warranty provided herein, Miele disclaims any and all other express warranties with respect to the product. Any warranty of merchantability or fitness for a particular purpose is limited in its duration to the term of the limited warranty provided herein. Some states do not allow limitations on how long an implied warranty lasts, so the above limitation may not apply to you.

Limitation of Liability for Special, Incidental or Consequential Damages

Miele will assume no liability, or other obligation with respect to any personal injury or property damage resulting from the use of a vacuum cleaner, or its accessories, replacement parts, etc., which has not been purchased from, or serviced by an Authorized Miele Dealer. Any purchaser who obtains a vacuum cleaner, accessories, replacement parts, etc., from someone other than an Authorized Miele dealer proceeds at their own risk. Miele specifically disclaims any and all liability, whether directly or by way of indemnity, for special incidental, consequential or other damages, whether based on breach of contract, tort, strict or product liability, or any other legal theory. Some states do not allow the exclusion or limitation of incidental or consequential damages, so the above limitation may not apply to you.

Special State Laws

This Limited Warranty gives you specific legal rights; you may have other rights, which vary, from state to state.

Warning

This content is compiled from multiple sources and is provided for reference purposes only. It may not be complete or fully applicable to all situations. If you are unable to resolve your issue, please contact the product manufacturer or an authorized service provider for official support.