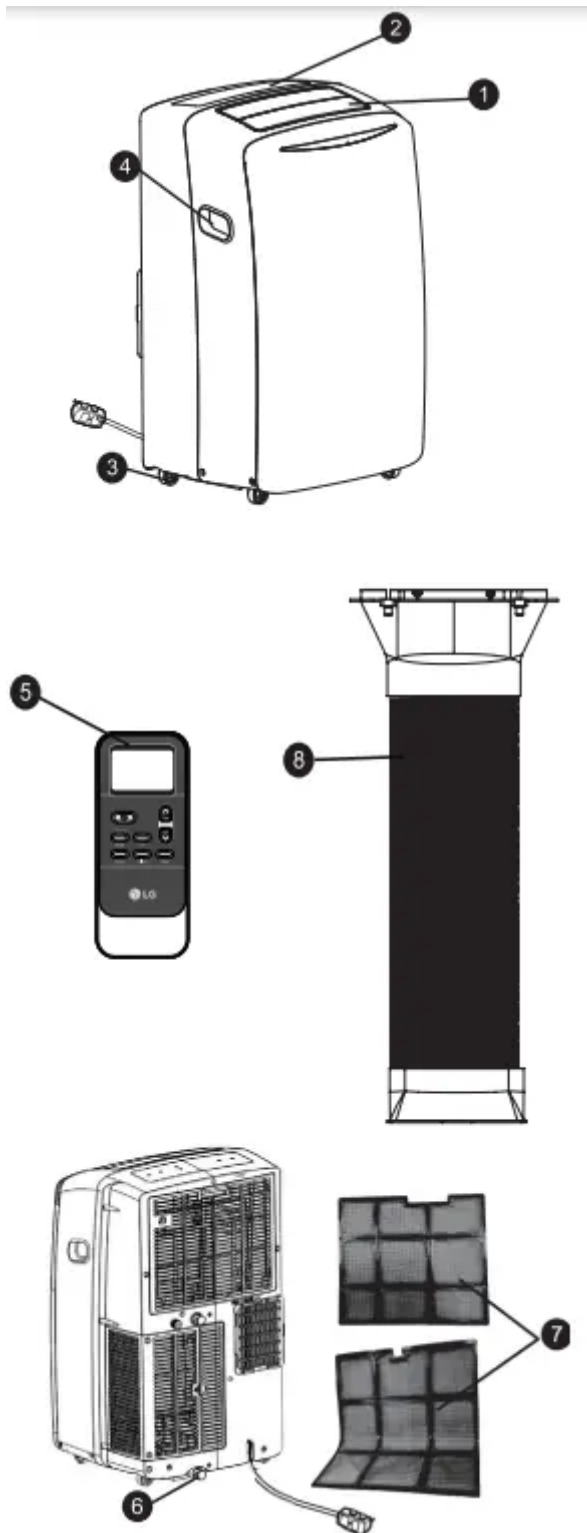


PARTS AND FEATURES

KEY PARTS AND COMPONENTS



1. AIR DIASCHARG



The adjustable louvered air discharge opens automatically when the air conditioner is turned on, and closes when it is turned off. It can also be set to oscillate to distribute air more evenly through the room.

2. CONTROL PANEL AND DISPLAY

Easy-to-read digital display shows the set temperature, and indicator lights show the operating mode. Simple push buttons make changing settings quick and easy.

3. SWIVELING CASTERS

Swiveling casters allow you to move the air conditioner easily on most floor surfaces.

4. INTEGRATED HANDLES

Integrated handles provide a convenient grip when lifting the air conditioner.

5. INFRARED REMOTE CONTROLLER

The remote controller allows you to adjust the temperature and operate most functions of the air conditioner from across the room.

6. BOTTOM DRAIN PORT

Before moving the air conditioner, drain the internal water in the collection tank completely using the bottom drain port.

7. AIR FILTER

8. HOSE AND DIFFUSER

Use the diffuser and hose to connect the air conditioner to the window installation kit to vent exhaust air outside.

HOW TO USE

BEFORE USING THE AIR CONDITIONER

PREPARING FOR OPERATION

Refer to the Installation Instructions included in this manual before using the air conditioner.

1. Plug the power cord into its own dedicated properly grounded outlet. Do not plug other appliances into the same outlet. Doing so could overload the outlet and create a fire hazard.
2. Make sure the air conditioner and cord are positioned where they do not create a tripping hazard and will receive adequate ventilation. Do not place the appliance near furniture or objects that could block the vent openings.
3. Make sure that any items that could be blown over or damaged by the airflow from the fan are out of the airflow path.

IMPORTANT:

- Do not remain in the direct airflow from the air conditioner for extended periods of time.
- When used at the same time as stoves, fireplaces, and other combustion devices, make sure there is a sufficient flow of fresh air into the room. Do not use in tightly enclosed spaces with these types of devices.
- This air conditioner is intended for household use as a consumer comfort appliance. Do not use it as a precision climate control system, or for purposes such as cooling precision equipment, food, pets, plants, artwork, ect. Such items could be damaged.
- Do not bend the hose downward when window installation kit is not applied. It may cause failure of air conditioner or performance deterioration.

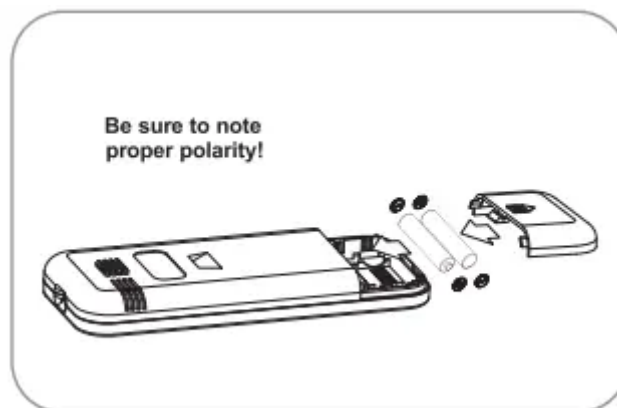
UNPACKING THE AIR CONDITIONER

Remove and store packing materials for reuse. Remove any shipping tape before using the air conditioner. If the tape leaves behind any adhesive, rub a small amount of liquid dish soap onto it and wipe with a damp cloth. DO NOT use sharp instruments, alcohol, thinners, or abrasive cleaners to remove adhesive. They could damage.

They could damage the finish.

INSERTING BATTERIES IN THE REMOTE: Before using the remote, install the provided AAA batteries

1. Press and slide to remove the battery cover on the back of the remote.
2. Insert two new alkaline AAA batteries into the battery compartment, being sure to note the proper polarity.
3. Reattach the battery cover.



NOTE:

- Use only alkaline batteries. Do not use rechargeable batteries.
- When replacing batteries, always replace both batteries with new batteries. Do not mix old and new batteries with batteries. Do not mix alkaline, standard (carbon-zinc), or rechargeable (ni-cad, ni-mh, ect) batteries.

- If the air conditioner will not be used for an extended period of time, remove the batteries from the remote.

WARNING

- If the batteries leak onto your clothes or skin, remove contaminated clothing and rinse skin thoroughly with soap and water. Do not use the remote if the battery has leaked.
- If the battery or the liquid inside it are ingested, do not induce vomiting or give food or drink. Contact a physician immediately

CONTROL PANEL AND REMOTE

Operation of functions is the same when using the remote or the control panel, unless otherwise stated. The remote and the control panel are not in sync. For best results when using the remote, remember to check that all desired settings are correct on the remote as well as on the control panel.

NOTE: The remote sensor is located on the front panel of the air conditioner. Point the remote from anywhere at the sensor.

The remote may not work if the sensor is in bright light or if there is not a clear path between the remote and the sensor. Some functions may not be supported, depending on the model.



1. POWER

Turns the air conditioner on and off. A chime sounds to confirm you have turned it on or off.

2. MODE

Press this button repeatedly to toggle through and select the operating mode. Modes include Cool, Dry (dehumidify), Fan, and Heat. An LED illuminates to indicate the selected mode. The default

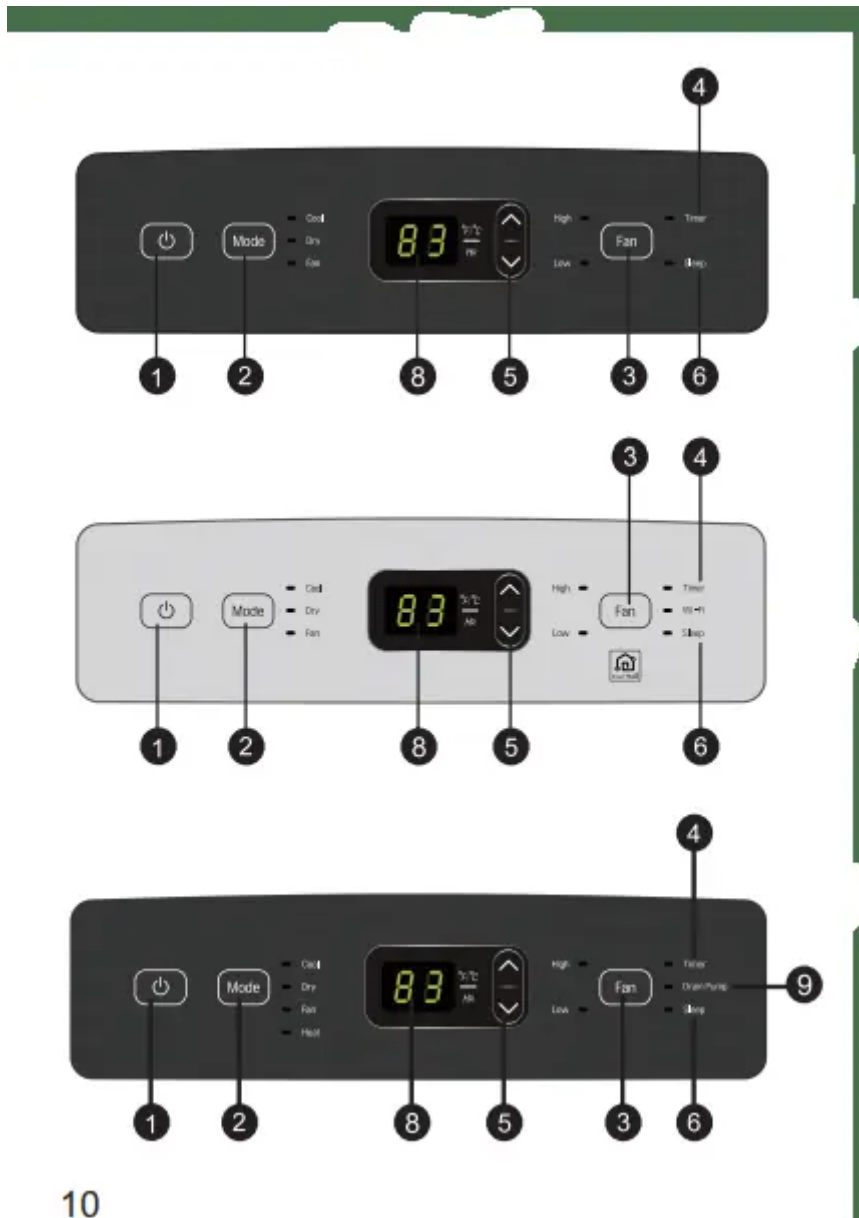
mode is Cool. See the Operation section for more information. NOTE: Press and hold the Mode button on the remote for 3 seconds to switch the temperature display from degrees Celsius (°C) to degrees Fahrenheit (°F).

3. FAN (/)

Press repeatedly to toggle the fan speed between High and Low settings. An LED illuminates to indicate the selected fan speed. The fan speed can be changed in the Cool, Fan, and Heat modes. The fan speed is preset in the Dry mode. After pressing the button, there is a brief delay before the fan motor changes speed.

4. TIMER

Use the timer function to set the air conditioner to turn on or off at a desired time. The timer function can only be set using the remote. See the Operation section for more information.



10

1. POWER



Turns the air conditioner on and off. A chime sounds to confirm you have turned it on or off.

2. MODE

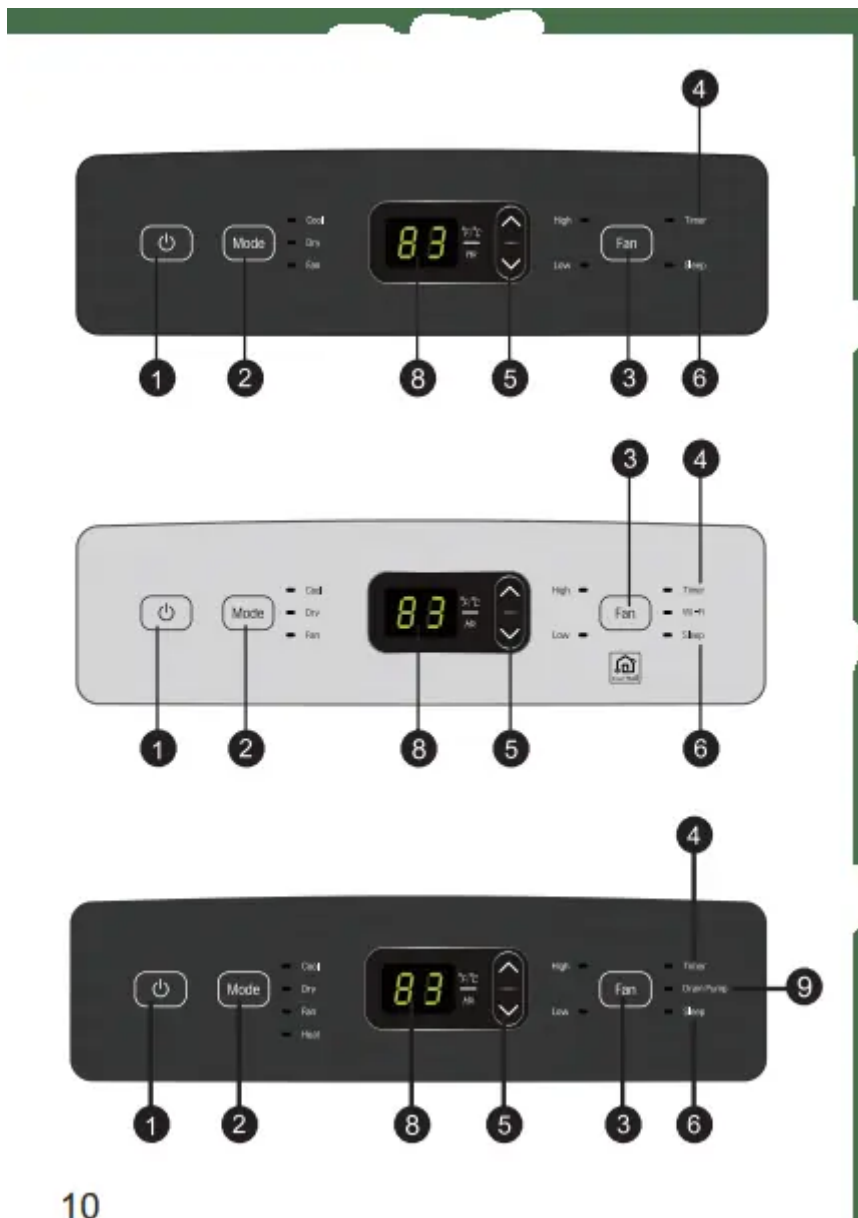
Press this button repeatedly to toggle through and select the operating mode. Modes include Cool, Dry (dehumidify), Fan, and Heat. An LED illuminates to indicate the selected mode. The default mode is Cool. See the Operation section for more information. NOTE: Press and hold the Mode button on the remote for 3 seconds to switch the temperature display from degrees Celsius (°C) to degrees Fahrenheit (°F).

3. FAN (/)

Press repeatedly to toggle the fan speed between High and Low settings. An LED illuminates to indicate the selected fan speed. The fan speed can be changed in the Cool, Fan, and Heat modes. The fan speed is preset in the Dry mode. After pressing the button, there is a brief delay before the fan motor changes speed.

4. TIMER

Use the timer function to set the air conditioner to turn on or off at a desired time. The timer function can only be set using the remote. See the Operation section for more information.



10

5. ▲ / ▼ (TEMP/TIMER)

In COOL and HEAT modes, the ▲ / ▼ button adjust the set temperature up to 86F or down to 60F, in one-degree increments. When the TIMER function is selected, use the ▲ / ▼ buttons to adjust the delay time from 0 to 24 hours, in one-hour increments.

NOTE: The displayed temperature is the SET temperature, not the room temperature. In COOL and HEAT modes, the thermostat in the air conditioner runs the compressor until the set temperature is reached, then cycles the compressor on and off to maintain the set temperature.

6. SLEEP(🌙)

SLEEP mode can be used with any of the four modes. This function gives you a more comfortable environment for sleep. The appliance will stop operation automatically after operating for 8 hours. The fan speed is automatically set to Low. This function can only be activated from the remote.

7. SWING

Sets the air discharge louvers to open and shut, circulating the air more effectively through the room. This function can only be set from the remote. If the louvers do not move properly, unplug and plug in the power cord.

8. LED DISPLAY

LED display shows the set temperature, fan speed, or the selected TIMER delay. LEDs illuminate to indicate the active Mode, fan speed, and other settings. An E5 error code displays when the water drain tank needs to be emptied.

9. DRAIN PUMP

If you use the Heat mode, you must install the drain hose. (See pages 21-22 for more information.)
If only the Cool mode is used, the drain hose is not needed.



OPERATION

MODES

COOL(❄️)

Compressor runs and cools the room. Use the ▲ / ▼ and FAN buttons to set the desired temperature and fan speed. The desired temperature can be set from 60°F to 86°F (16°C to 30°C) in one-degree increments.

FAN()

Fan circulates air but compressor does not run. Use the FAN button to set the desired fan speed to either High or Low.

DRY()

Use the Dry mode to remove humidity from the room without additional cooling. The fan speed is preset and cannot be adjusted.

HEAT() (Optional)

Compressor runs and heats the room. Use the ▲ / ▼ and FAN buttons to set the desired temperature and fan speed. The desired temperature can be set from 60°F to 86°F (16°C to 30°C) in one-degree increments.

TIMER

Use the Timer function to turn the air conditioner ON/OFF automatically.

Setting the Air Conditioner to Turn ON

1. Plug in the air conditioner and use the remote to power it ON.
2. Use the remote to set the desired mode, temperature, fan speed, etc.
3. Use the remote to power OFF the air conditioner.
4. Press TIMER on the remote and use the ▲ / ▼ buttons to set the desired delay time until the air conditioner turns ON. The delay time can be set from 0 to 24 hours in one-hour increments.
5. Press TIMER again to enter the delay time. The TIMER LED on the air conditioner illuminates, and the delay time appears on the remote and in the control panel.
6. To cancel the Timer function, press TIMER on the remote.

Setting the Air Conditioner to Turn OFF

1. Plug in the air conditioner and use the remote to power it ON.
2. Use the remote to set the desired mode, temperature, fan speed, etc.
3. Press TIMER on the remote and use the ▲ / ▼ buttons to set the desired delay time until the air conditioner turns OFF. The delay time can be set from 0 to 24 hours in one-hour increments.

4. Press TIMER again to enter the delay time. The TIMER LED on the air conditioner illuminates, and the delay time appears on the remote. The delay time appears briefly in the control panel and is then replaced by the set temperature.
5. To cancel the Timer function, press TIMER on the remote.

SMART FUNCTIONS

Using Smart ThinQ Application (on some models)


Installing Smart ThinQ

Search for the LG Smart ThinQ application from the Google Play Store or Apple App Store on a smart phone. Follow instructions to download and install the application.

Product Registration

1. Run the LG Smart ThinQ application on a smart phone.
2. Create an account and sign in.
3. Select Register.
4. Select Air conditioner.
5. Follow the instructions on the smart phone.

Wi-Fi Function

- For appliances with the  logo Communicate with the appliance from a smart phone using the convenient smart features.

Using the Application

- 1 Select the appliance in the application and connect it to a Wi-Fi network.
- 2 Select the menu on the upper right side to access settings and features.


Firmware Update

Keep the appliance performance updated.

Settings

Allows you to set various options on the appliance and in the application.

NOTE

- To verify the Wi-Fi connection, check that Wi-Fi  icon on the control panel is lit.
- LG Smart ThinQ is not responsible for any network connection problems or any faults, malfunctions, or errors caused by network connection.
- The machine supports 2.4 GHz Wi-Fi networks only.

- If the appliance is having trouble connecting to the Wi-Fi network, it may be too far from the router. Purchase a Wi-Fi repeater (range extender) to improve the Wi-Fi signal strength.
- The Wi-Fi connection may not connect or may be interrupted because of the home network environment.
- The network connection may not work properly depending on the internet service provider.
- The surrounding wireless environment can make the wireless network service run slowly.
- The application is subject to change for appliance improvement purposes without notice to users.
- Functions may vary by model.

Open Source Software Notice Information

To obtain the source code under GPL, LGPL, MPL, and other open source licenses, that is contained in this product, please visit <http://opensource.lge.com>. In addition to the source code, all referred license terms, warranty disclaimers and copyright notices are available for download.

LG Electronics will also provide open source code to you on CD-ROM for a charge covering the cost of performing such distribution (such as the cost of media, shipping, and handling) upon email request to opensource@lge.com. This offer is valid for three (3) years from the date on which you purchased the product.

INSTALLATION INSTRUCTIONS

PREPARING FOR INSTALLATION

WARNING: The air conditioner is heavy! Use two or more people to lift and install the unit! Failure to do so could result in back injury or other injuries.

EXHAUST COMPONENTS

The following components are used for window venting.

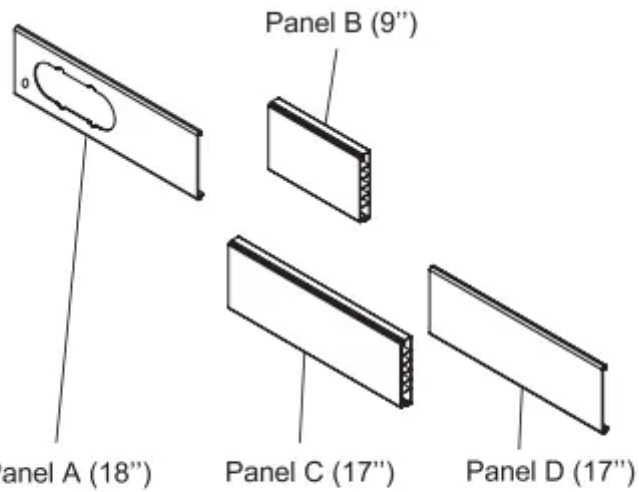
Not all components are used for every installation.



Mounting
Bracket

Flexible Vent Hose

Diffuser



Panel B (9")

Panel A (18")

Panel C (17")

Panel D (17")

1 Window Vent Panel

3 Extension Panels

Window Installation Kit (includes 1 Window
Vent Panel and 3 Extension Panels)

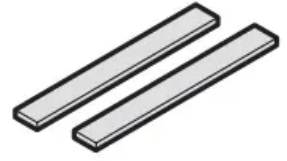




2 Type A Foam Seals
(Adhesive)



1 Type B Foam Seal
(Non-adhesive)



2 Type C Foam Seals
(Adhesive type-Shorter)



Security Bracket



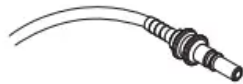
2 Type A Screws



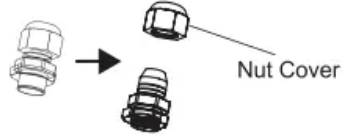
1 Type B Screw



1 Type C Screw



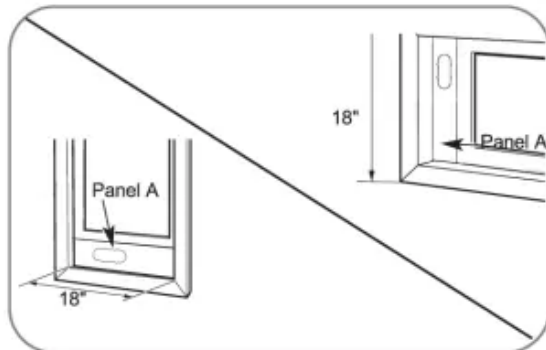
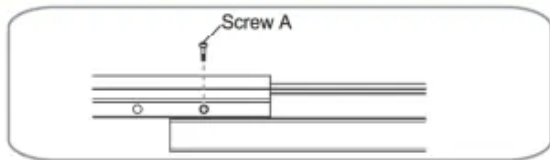
Drain Pipe
(Optional)



Lock Nut
(Optional)

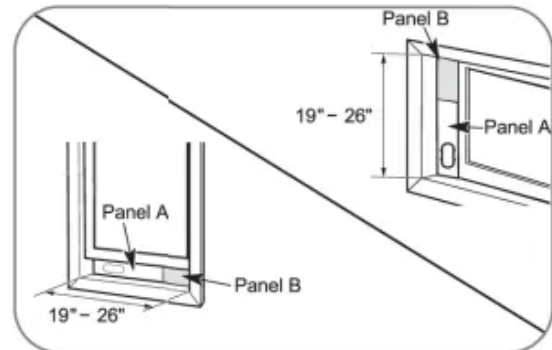
Nut Cover





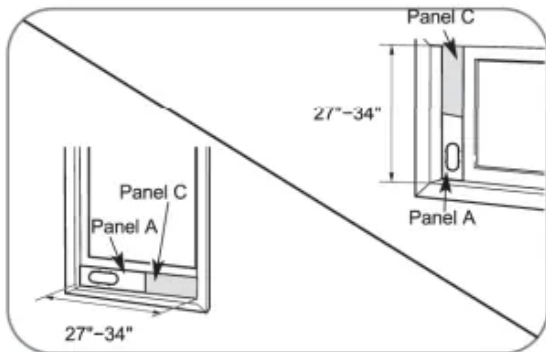
For an 18" window opening, use the window vent panel by itself.

Fig. a



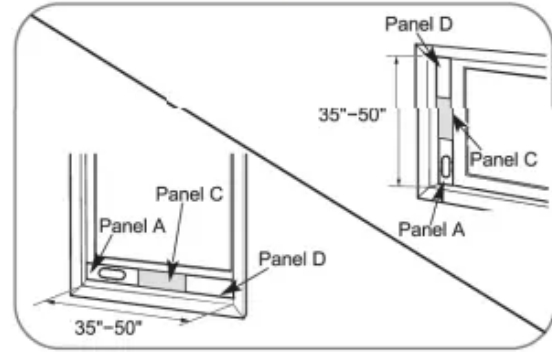
For window openings from 19" to 26", use the window vent panel (Panel A) and an extension panel (Panel B).

Fig. b



For window openings from 27" to 34", use the window vent panel (Panel A) and an extension panel (Panel C).

Fig. c

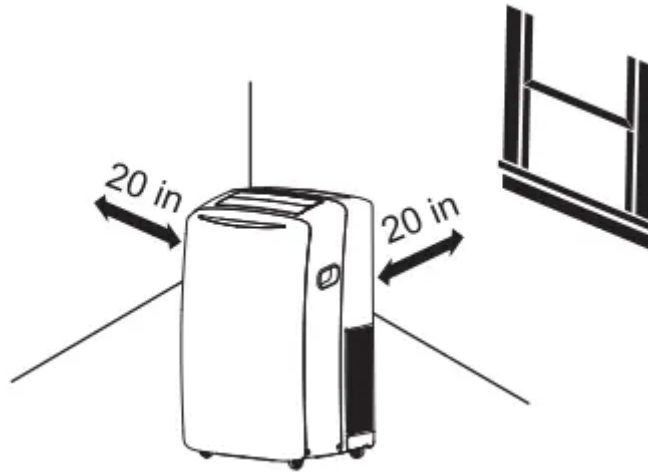


For window openings from 35" to 50", use the window vent panel and two extension panels (Panel C and Panel D).

Fig. d

SELECTION OF INSTALLATION LOCATION

1. Place the unit on a level floor.
2. For best performance, allow at least 20 in of air space on all sides of unit for good air circulation.
3. Place the unit near a window. The hose and diffuser will be used to connect the air conditioner to the window installation kit to vent exhaust air outside.



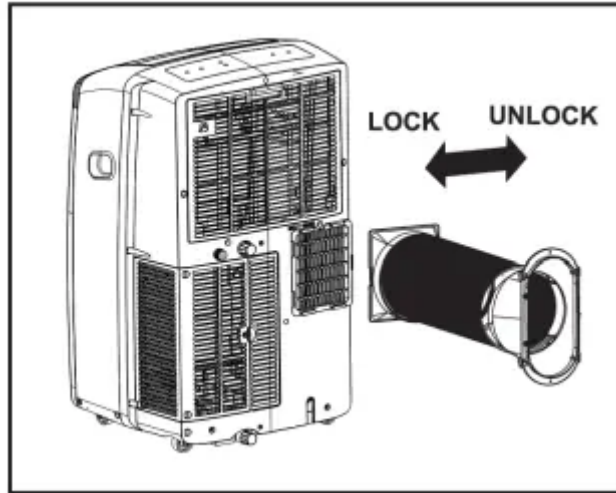
WARNING

The length of the exhaust hose is specially designed according to the specification of this product. Do not replace or extend it with your own private hose as this could cause malfunction.

ATTACHING THE HOSE AND DIFFUSER

Assembling the Mounting Bracket, Diffuser, and Vent Hose

1. Use a pliers to extend the first four or five accordions folds at both ends of the vent hose.
2. To attach the mounting bracket to one end of the vent hose, insert the extended folds on one side of the vent hose between the ridges inside one side of the mounting bracket.
3. Use a pliers to pull the folds on the opposite side of the vent hose up and between the ridges inside the opposite side of the mounting bracket.
4. Tug the mounting bracket to make sure it is securely attached to the vent hose.
5. To attach the diffuser to the other end of the vent hose, use a Phillips screwdriver to remove the four screws holding the grill on the end of the diffuser. Set the grill and screws aside.
6. Insert the vent hose in the round end of the diffuser in the same manner as assembling the hose to the mounting bracket. (See steps 2 and 3.)
7. Tug the diffuser to make sure it is securely attached to the vent hose.
8. Reattach the grill on the diffuser, using the four screws removed in step 5.



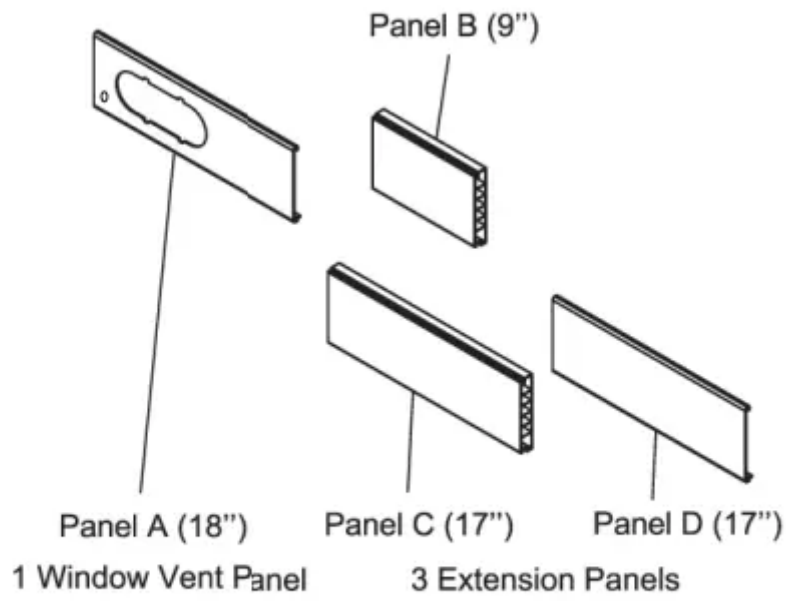
Attach the hose assembly onto the back of the air conditioner by inserting the edges of the mounting bracket behind the tabs at the top and bottom and sliding the mounting bracket to the left until it snaps into place.

WINDOW VENT PANEL AND EXTENSIONS

The window installation kit allows you to install the air conditioner in most vertical-sliding windows 18" to 50" wide, or horizontal-sliding windows from 18" to 50" high.

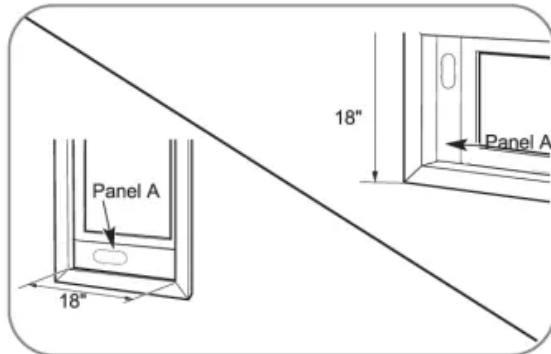
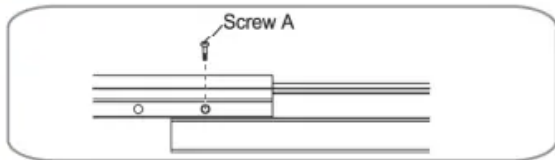
Panel Window opening	A 18"	B 9"	C 17"	D 17"	Fig.
18"	✓				a
19" – 26"	✓	✓			b
27" – 34"	✓		✓		c
35" – 50"	✓		✓	✓	d

1. Select the panels required based on the window opening, as shown above.
2. If the installation requires 2 or 3 panels, assemble the panels to the proper length and fix them in place with 1 type A screw.



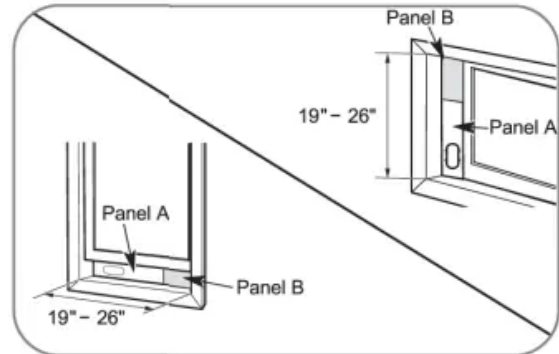
Window Installation Kit (includes 1 Window Vent Panel and 3 Extension Panels)





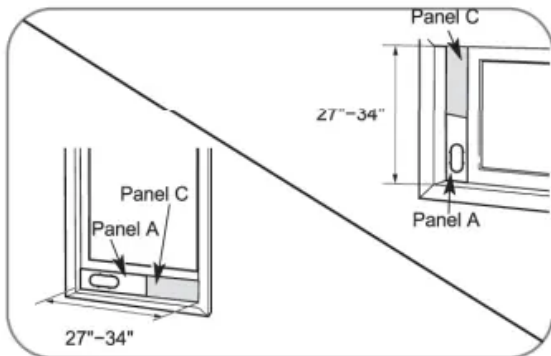
For an 18" window opening, use the window vent panel by itself.

Fig. a



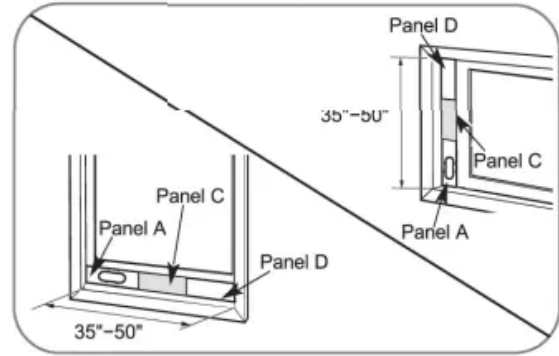
For window openings from 19" to 26", use the window vent panel (Panel A) and an extension panel (Panel B).

Fig. b



For window openings from 27" to 34", use the window vent panel (Panel A) and an extension panel (Panel C).

Fig. c

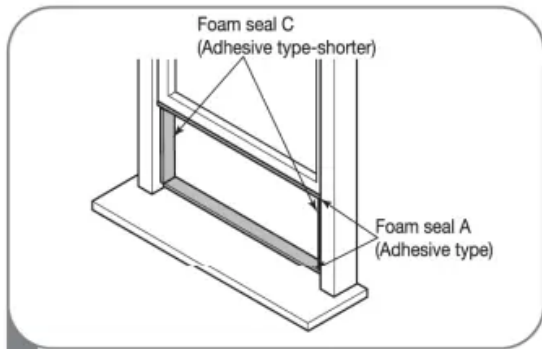


For window openings from 35" to 50", use the window vent panel and two extension panels (Panel C and Panel D).

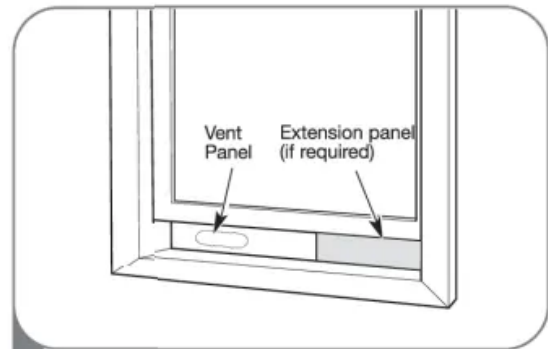
Fig. d

INSTALLATION IN VERTICAL-SLIDING WINDOWS

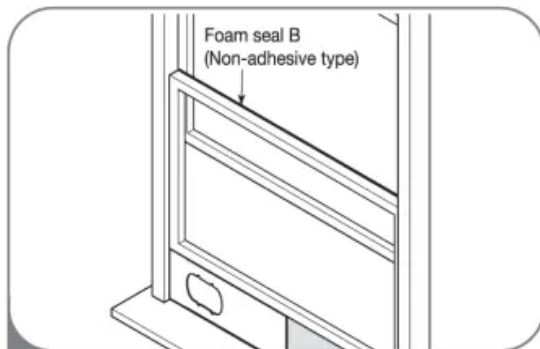
NOTE : The window installation kit can be used with vertical-sliding windows between 18" and 50" wide



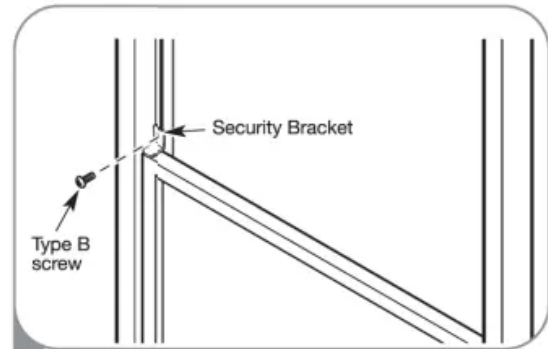
1 Cut the foam seal A (adhesive type) & C (adhesive type-shorter) to the proper length, and attach them to the window sash and frame.



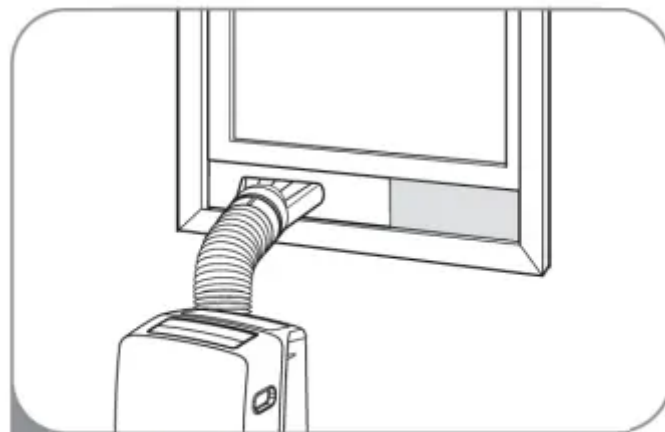
2 Insert the vent panel assembly, including extension panels, if needed, into the window opening. Extend the extension panels, if used.



3 Cut the foam seal B (Non-adhesive type) to the window width. Stuff the foam seal B between the glass and the window to prevent air and insects from getting into the room.



4 Install the security bracket with a type B screw as shown, if desired.



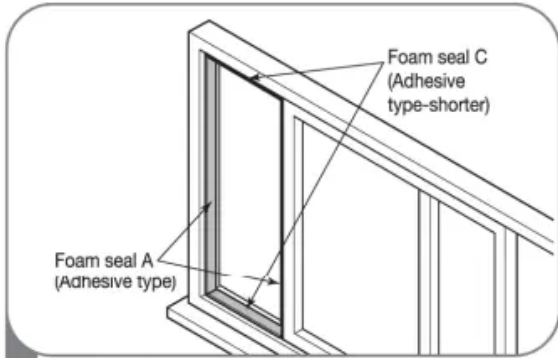
5 Insert the diffuser into the opening in the vent panel and slide it to lock it into place.

Align the tabs on the diffuser with the slots in the vent panel. Insert the diffuser into the opening in the vent panel and slide the diffuser to lock the tabs in place.

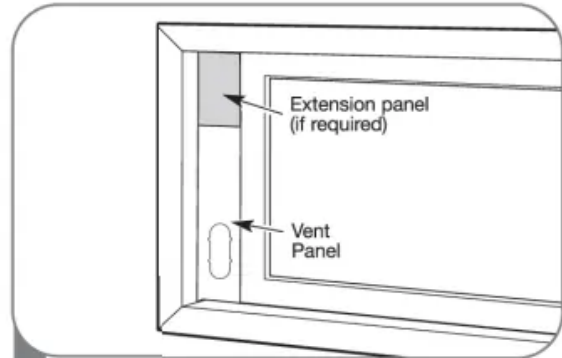
Insert the type C screw in the hole in the diffuser to prevent the diffuser from sliding out of the vent opening.

INSTALLATION IN HORIZONTAL-SLIDING WINDOWS

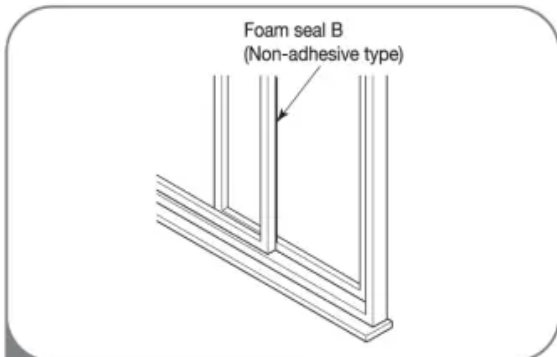
NOTE : The window installation kit can be used with horizontal-sliding windows between 18" and 50" tall



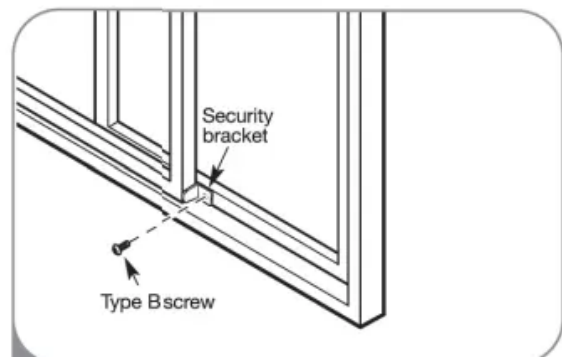
1 Cut the foam seal A (adhesive type) & C (adhesive type-shorter) to the proper length, and attach them to the window sash and frame.



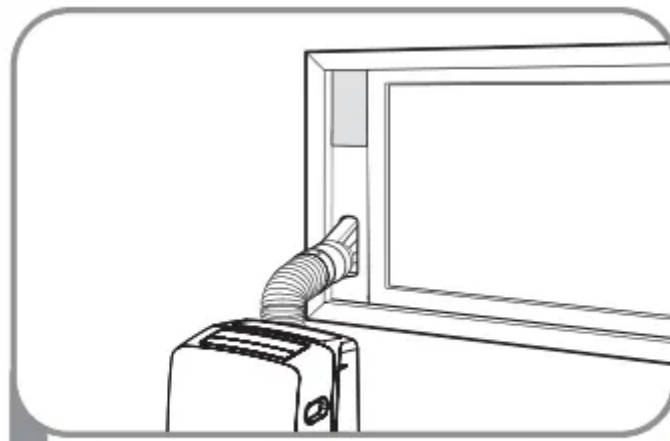
2 Insert the vent panel assembly, including extension panels, if needed, into the window opening. Extend the extension panels, if used.



3 Cut the foam seal B (Non-adhesive type) to the window height. Stuff the foam seal B between the glass and the window to prevent air and insects from getting into the room.



4 Install the window security bracket with a type B screw as shown.



5 Insert the diffuser into the opening in the vent panel and slide it to lock it into place.

			Align the tabs on the diffuser with the slots in the vent panel. Insert the diffuser into the opening in the vent panel and slide the diffuser to lock the tabs in place.
--	--	--	---

			Insert the type C screw in the hole in the diffuser to prevent the diffuser from sliding out of the vent opening.
--	--	--	---

HEATING DRAINAGE (Optional)

CAUTION

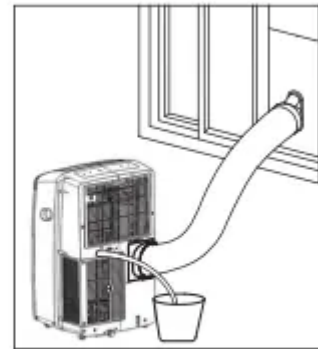
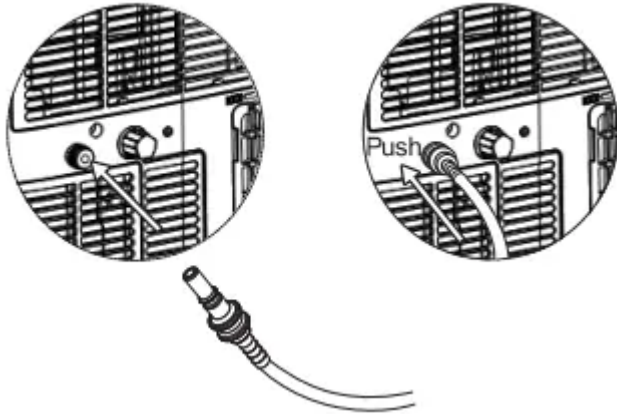
If you use the Heat mode, you must install the drain hose. If only the Cool mode is used, the drain hose is not needed.

If the outside temperature is at or near freezing (32°F/0°C) follow the indoor drainage instructions.

If using the outdoor drainage method, make sure the outlet of the hose is aimed away from nearby surfaces that could be stained or damaged by the draining water.

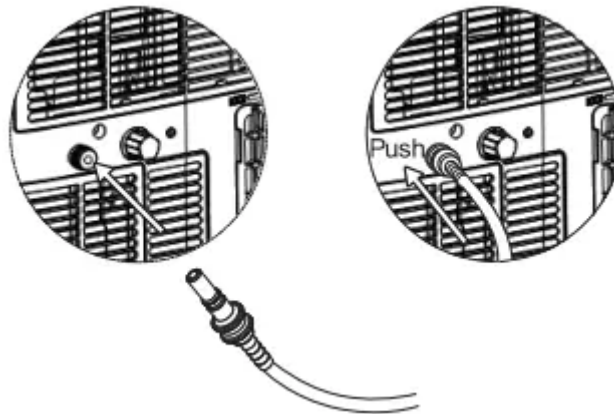
INDOOR DRAINAGE

1. To attach the drain hose, insert the connector into the upper drain port at the back of the unit until it snaps into place.
2. Place the other end of the drain hose in a bucket that holds at least 28 ounces.
Remember to check and empty the bucket frequently to avoid overflows.
3. Set the unit to automatic drain by pressing the Fan and Down buttons at the same time.
4. To detach the drain hose, push the outer ring of the upper drain port in and pull the connector out.

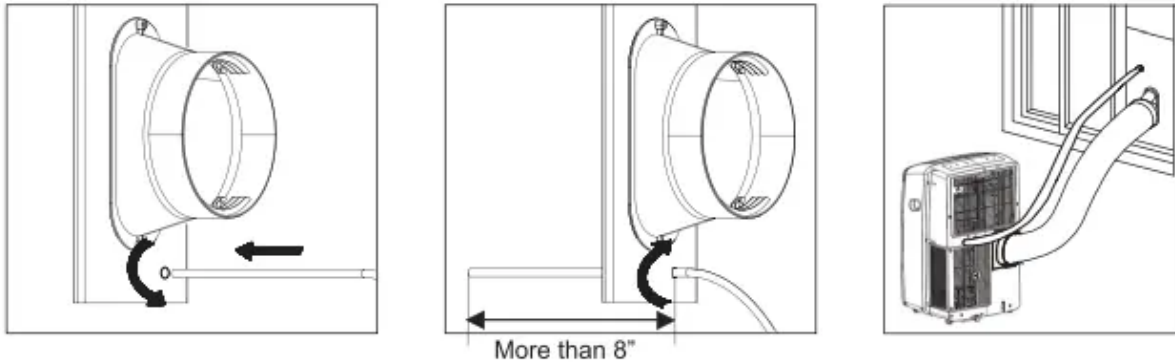


OUTDOOR DRAINAGE

When the weather is above freezing, the unit can be set up to drain to the outside. Make sure the outlet of the hose is aimed away from nearby surfaces that could be stained or damaged by the draining water.



1. To attach the drain hose, insert the connector into the upper drain port at the back of the unit until it snaps into place.
2. Rotate the nut cover on the window vent panel and insert the other end of the drain hose through the hole in the window vent panel.
3. Make sure to insert the drain hose at least 8 inches.
4. Rotate the nut cover back to secure the drain hose in place.
5. Set the unit to automatic drain by pressing the Fan and Down buttons at the same time.
6. To detach the drain hose from the product, push the outer ring of the upper drain port in and pull the connector out.



CAUTION

Inserting the drain hose in the unit will automatically activate the drain function. To activate the drain manually, press the Fan and Down buttons at the same time.

CARE AND CLEANING

WARNING

- **Unplug the air conditioner before cleaning or performing any maintenance or servicing.**
- **Be careful when cleaning coils or removing or reinstalling the filter-the cooling fins are sharp!**

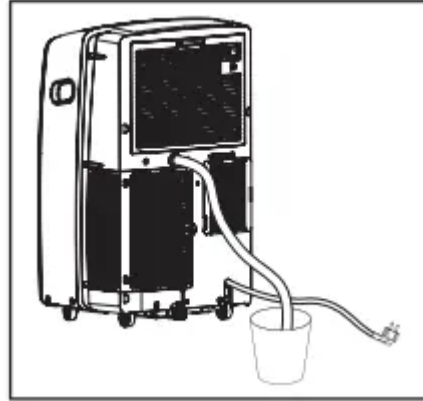
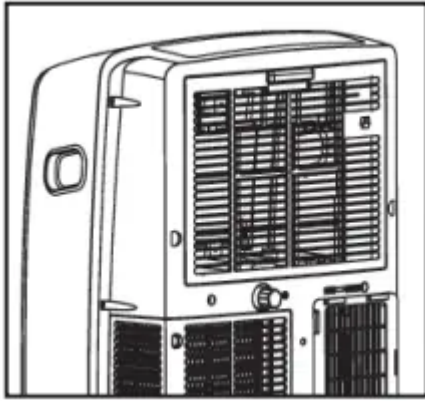
Failure to follow the above precautions could result in electric

EMPTYING THE WATER COLLECTION TANK

This product has a self-evaporative system. The condensing water will be recycled to cool the condenser. This not only improves saves energy for you.

Using the Upper Drain Port (Dry Mode Only)

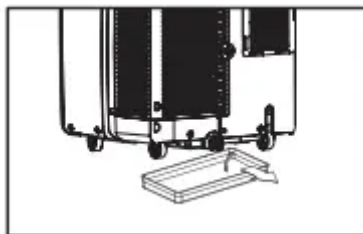
- This can be used when you need dehumidification in high humidity.
- The upper drain port is not used in the Cool or Fan mode.
- Remove the drain plug when using the Dry (dehumidifying) mode.
- Install a drain hose (16mm [5/8"] inside diameter) and place the open end of the hose over a drain or bucket or out the window.



Using the Lower Drain Port

When the internal water collection tank is full, the LED display will show E5 and the air conditioner will turn off until the tank is emptied.

- Unplug the air conditioner, disconnect the exhaust hose from the back, and move the air conditioner to a suitable drain location or outdoors. You may also place a pan under the drain that will hold up to 2 pints of water.
- Remove the drain cap from the drain outlet.
- Once the water collection tank is drained, reinstall the drain cap, making sure it is on securely.
- Place the air conditioner in the desired location, reconnect the exhaust hose, and plug in the air conditioner.



NOTICE: If the E5 error appears in the display:

The water collection tank is full. Unplug the air conditioner, drain the tank, then plug the air conditioner back in and restart it.

NOTE: After the air conditioner is unplugged, it defaults to the Cool mode with a temperature setting of 75F (24C) once restarted.

CLEANING THE CASE

Wipe the case with a slightly damp cloth, then wipe dry with a dry cloth or towel.

- **To prevent damage to the finish, do not use gasoline, benzene, thinner, ect., or any abrasive cleansers to clean the air conditioner; they mau damage the finish.**

- **Never pour water onto or into the air conditioner. It could damage internal components and create a shock and fire hazard**



CLEANING THE AIR FILTER

The air filters should be cleaned every two weeks; depending on indoor air quality, more frequent cleaning may be needed. A dirty air filter will decrease airflow and reduce efficiency.

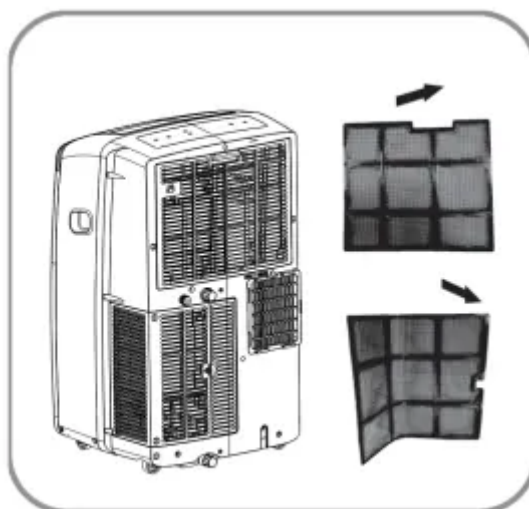
Do not operate the air conditioner without the air filters in place.

1. Pull out each air filter by the handle.
2. Use a vacuum cleaner to clean the filters. If the filters are heavily soiled, they can be washed in warm water using a mild detergent.

Do not use harsh cleaners or very hot water.

Do not wash in a dishwasher.

3. Allow the filters to dry completely before reinstalling.
4. Reinsert the filters.



STORING THE AIR CONDITIONER

If the air conditioner will not be used for an extended period of time:

1. To drain the water collection tank completely, leave the bottom drain cap off long enough to allow any residual water to drain out. Once the tank is completely drained and no more water flows out, reinstall the cap.
2. Remove and clean the filters, allow them to dry completely, then reinstall them.
3. Remove the batteries from the remote.
4. Store the air conditioner in a cool, dry location, away from direct sunlight, extreme temperatures, and excessive dust.

Before using the air conditioner again:

1. Make sure the filters and drain cap are in place
2. Check the power cord to make sure it is in good condition, with no cracks or damage.
3. Place new batteries in the remote.
4. Install the air conditioner as described in the Installation Instruction.

TROUBLESHOOTING

BEFORE CALLING FOR SERVICE

Before you call for service, review this list. It may save you time and expense. This list includes common occurrences that are not the result of a defect in workmanship or materials.

Air conditioner does not start

- The air conditioner is unplugged
 - Make sure the air conditioner plug is pushed completely into the outlet.
- The fuse is blown/circuit breaker box and replace the fuse or reset the breaker.
 - Check the house fuse/circuit breaker box and replace the fuse or reset the breaker
- Power failure
 - If power failure occurs, unplug the unit. When power is restored, wait 3 minutes to restart the air conditioner to prevent tripping of the compressor overload.
- The current interrupter device is tripped.
 - Press the RESET button located on the power cord plug. If the RESET button will not stay engaged, discontinue use of the air conditioner and contact a qualified service technician.
- **E5** appears in the display
 - The water collection tank is full. Drain the tank and reset your settings.

- Room temperatures is less than the set temperature.
 - This is normal. The air conditioner automatically shuts off when the room temperature equals or is less than the set temperature. Adjust the temperature setting, if needed.

Air conditioner does not cool as it should

- Airflow is restricted.
 - Make sure there are no curtains, blinds, or furniture blocking the front of the air conditioner.
- The temp control may not be set correctly.
 - In COOL mode, press the DECREASE button.
- The air filters are dirty.
 - Clean the filters at least every 2 weeks. See the Care and Cleaning section.
- The room may have been hot.
 - When the air conditioner is first turned on, you need to allow time for the room to cool down.

Air conditioner freezing up

- The cooling coils are iced over
 - Ice may block the air flow and obstruct the air conditioner from properly cooling the room. Set the mode control at **High Fan** or **High Cool**.

Air conditioner runs too often or too long

- Area to be cooled is too large for the air conditioner.
 - Consult your dealer for the air conditioner capacity necessary to cool the desired area.
- Doors or windows are poen.
 - Make sure doors and windows are closed.

Code appears in the display E5

- The water collection tank is full
 - Empty the water collection tank. See the Care and Cleaning section.

E1:

- Short or open circuit in the indoor pipe thermistor.
 - Unplug the air conditioner and contact your authorized LG service center.

E2:

- Short or open circuit in the indoor pipe thermistor.
 - Unplug the air conditioner and contact your authorized LG service center.

E3:

- Short or open circuit in the outdoor pipe thermistor
 - Unplug the air conditioner and contact your authorized LG service center.

EA:

- Software problem.
 - Unplug the air conditioner and contact your authorized LG service center.

Warning

This content is compiled from multiple sources and is provided for reference purposes only. It may not be complete or fully applicable to all situations. If you are unable to resolve your issue, please contact the product manufacturer or an authorized service provider for official support.