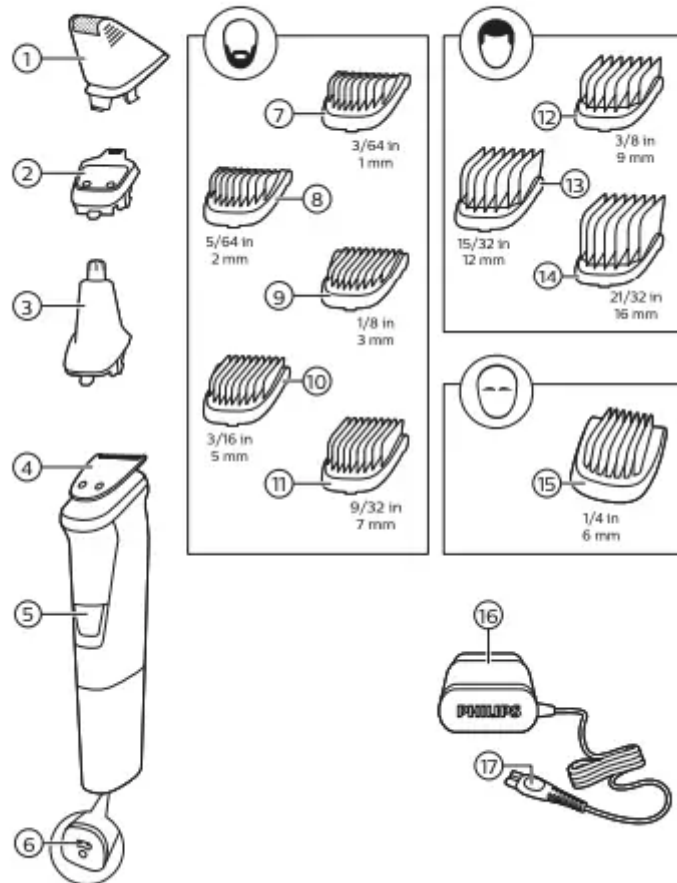


General description

1

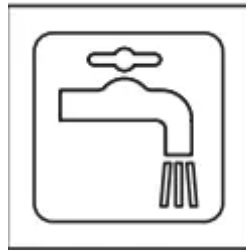


- 1 Precision shaver
- 2 Precision trimmer
- 3 Nose trimmer
- 4 Full-size hair trimmer
- 5 On/off slide
- 6 Socket for small plug
- 7 Stubble guard 3/64in. (1mm)
- 8 Stubble guard 5/64in. (2mm)
- 9 Beard guard 1/8in. (3mm)
- 10 Beard guard 3/16in. (5mm)



- 11 Beard guard 9/32in. (7mm)
- 12 Hair guard 3/8in. (9mm)
- 13 Hair guard 15/32in. (12mm)
- 14 Hair guard 21/32in. (16mm)
- 15 Eyebrow guard 1/4in. (6mm)
- 16 Power plug
- 17 Small plug

Not shown: cleaning brush and pouch

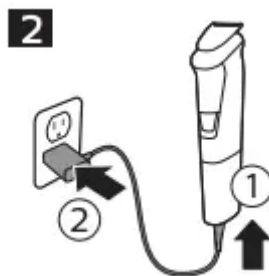


This symbol indicates that the product can be rinsed under running tap water.

Charging

When the product has charged for 16 hours, it has a cordless operating time of up to 80 minutes.

- Charging, recharging or using the product at temperatures below 40°F (4,5°C) or higher than 95°F (35°C) adversely affects the lifespan of the battery.
 - If the product is subjected to a major change in temperature, pressure or humidity, let the product acclimatize for 30 minutes before use.
1. Make sure the product is switched off.
 2. Insert the small plug into the product and put the power plug in any 120V AC outlet (Fig. 2).
 3. After charging, remove the power plug from the wall outlet and pull the small plug out of the product.



Note: An adapter plug may be necessary for cord usage in some foreign countries. Use an attachment plug adapter of the proper configuration for power outlet.

Using the product

Note: This product can be used without cord or directly from the power outlet.

Note: Switch off and clean the product and attachments after each use.

- Use this product for its intended household use as described in this manual.
- For hygienic reasons, the product should only be used by one person.

Detaching and attaching cutting elements

1. To detach a cutting element, push upwards against the teeth of the cutting element and take it off the handle (Fig.3)



2. To attach a cutting element, insert the lug of the cutting element into the guiding slot at the front and push the back of the cutting element onto the product ('click') (Fig. 4)



Detaching the nose trimmer

1. Place your finger on the arrow at the back of the attachment and push it off the handle in the direction of the arrow (Fig. 5).

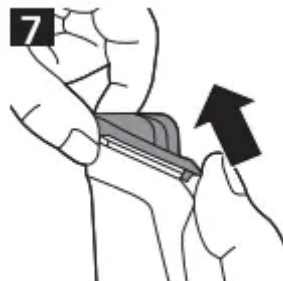


Attaching and detaching guards

1. To attach any type of guard onto a cutting element, slide the front part of the guard onto the teeth and push the projection at the back of the guard into the product ('click') (Fig. 6).



2. To detach any type of guard from the cutting element, carefully pull its back part off the product and then slide it off the cutting element (Fig. 7).



Note: When trimming for the first time, start by using the guard with the maximum trimming length setting to familiarize yourself with the product.

Switching the product on and off

Push the on/off slide up to turn the product on or down to turn the product off.

Attachments for use on beard

Beard guards

Attach a beard guard to the full-size hair trimmer to trim your beard and moustache evenly. The product comes with 5 beard guards. The hair length settings are indicated on the guards. The settings correspond to the remaining hair length after trimming.

| Guard | inch | mm |
|---------------|-------------|-----------|
| Stubble guard | 3/64in. | 1mm |
| Stubble guard | 5/64in. | 2mm |
| Beard guard | 1/8in. | 3mm |
| Beard guard | 3/16in. | 5mm |
| Beard guard | 9/32in. | 7mm |

1. Attach the guard to the full-size hair trimmer.
2. To trim the most effective way, move the guard against the direction of hair growth (Fig. 11). Make sure the surface of the guard always stays in contact with the skin.



Attachments for use on head

Full-size hair trimmer

Use the full-size hair trimmer without a guard to trim hair close to the skin (to a length of 1/32in./ 0.5mm) or to create clean lines around your beard, neck and sideburns.

1. To trim hair close to the skin, place the flat side of the cutting element against your skin and make strokes against the direction of hair growth (Fig. 8).



2. For contouring, hold the cutting element perpendicular to the skin and move it upwards or downwards with gentle pressure (Fig. 9).



Hair guards

Attach a hair guard to the extra-wide hair trimmer to evenly trim the hairs on your head. The product comes with 3 hair guards. The hair length settings are indicated on the guards. The settings correspond to the remaining hair length after trimming

| Guard | inch | mm |
|------------|----------|------|
| Hair guard | 3/8in. | 9mm |
| Hair guard | 15/32in. | 12mm |
| Hair guard | 21/32in. | 16mm |

1. Attach a guard to the extra-wide hair trimmer.
 2. Move the trimmer slowly over the crown from different directions to achieve an even result. Make sure the surface of the guard always stays in contact with the skin.
- Always move the trimmer against the direction of hair growth (Fig. 10). Press lightly.



- Make overlapping passes over the head to ensure that all hair that should be cut has been cut

Precision attachments for use on face

Precision trimmer

Use the precision trimmer to create fine lines and contours around your facial style, close to the skin (to a length of 1/32in./0.5mm).

1. Hold the precision trimming head perpendicular to the skin and move the trimming head upwards or downwards with gentle pressure (Fig. 12)



Eyebrow guard

Use the full-size hair trimmer with the eyebrow guard attached for tidying up eyebrows or trimming sideburns to a length of 1/4in./6mm

1. Slowly move the trimmer against the hair growth direction. Press lightly and make sure that the surface of the comb always stays in contact with the skin (Fig. 13).



Nose trimmer

Use the nose trimmer to trim your nose hair and ear hair.

- Make sure nasal passages are clean. Make sure outer ear channels are clean and free from wax.
- Do not insert the tip more than 3/16in./5mm.
- Always clean the attachment after each use.

Trimming nose hair

1. Gently move the tip in and out of nose while turning it around to remove unwanted hairs (Fig. 14).



Trimming ear hair

1. Slowly move the tip round the ear to remove hairs that stick out beyond the rim of the ear.
2. Gently move the tip in and out of the outer ear channel to remove unwanted hairs (Fig. 14).



Precision shaver

Use the precision shaver after trimming, to shave unwanted hairs on cheeks, chin and along the beard with precision. Make sure to pre-trim your beard first, with the fullsize hair trimmer without guard, to obtain the best result.

Note: Use the precision shaver to remove remaining hairs and detailing your beard style. It is not suitable for a full face shave.

1. Gently press the precision shaver onto the skin and shave along contoured edges to remove any unwanted hairs (Fig. 15).



Cleaning

Never use scouring pads, abrasive cleaning agents or aggressive liquids such as gasoline or acetone to clean the product.

Never dry the trimmer teeth with a towel or tissue, as this may damage the trimmer teeth.

After every use: cleaning under the tap

1. Turn off the product and disconnect from the power outlet.

2. Remove any comb or cutting element (see 'Detaching and attaching cutting elements') from the product.
3. Rinse the hair chamber under a warm tap.
4. Clean the cutting element and comb under a warm tap (Fig. 16).
5. Carefully shake off excess water and let all parts air dry completely.



Thorough cleaning

1. Turn off the product and disconnect from the wall outlet.
2. Wipe the handle of the product with a dry cloth.
3. Remove any guard or cutting element see 'Detaching and attaching cutting elements') from the product.
4. Remove any hairs that have accumulated in the hair chamber with the cleaning brush supplied.
5. Remove any hairs that have accumulated in the cutting elements and/or guards with the cleaning brush supplied.
6. Clean the cutting elements under a warm tap (Fig. 16, Fig. 17).
7. Clean the guards under a warm tap (Fig.18)
8. Carefully shake off excess water and let all parts air dry completely.

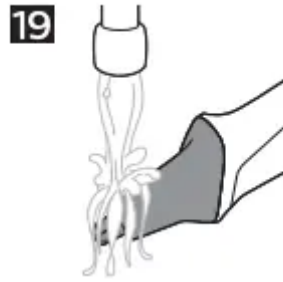


Cleaning the nose trimmer

Clean the nose trimmer immediately after use and when a lot of hair or dirt has accumulated on the nose trimmer head.

1. Rinse the nose trimmer head with hot water (Fig. 19).

2. Turn on the product and rinse the nose trimmer head once more to remove any remaining hairs. Then turn off the product again.

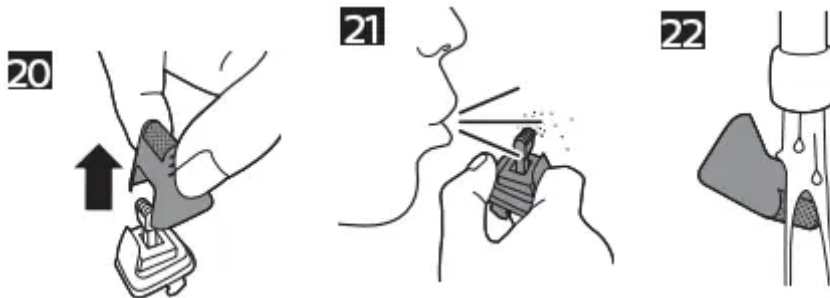


For a thorough clean, immerse the nose trimmer head in a bowl with warm water for a few minutes and then turn on the product to remove stubborn hair/debris.

3. Carefully shake off excess water and let all parts air dry completely.

Cleaning the precision shaver

1. Hold the precision shaver at the grooves on each side and pull the top part off the bottom part (Fig. 20).
2. Blow and/or shake out any hair that has accumulated inside the precision shaver (Fig. 21).
3. Clean the top part of the precision shaver under a warm tap (Fig. 22).
4. Carefully shake off excess water and let all parts air dry completely.
5. Reattach the top part onto the bottom part of the precision shaver.



This product has no other user-serviceable parts. For assistance call 1-800-243-3050.

Storage

- Store the product in the case and/or pouch supplied. Make sure the product is dry before you store it in the case and/or pouch.
- Be sure the product is turned off. Remove cord from outlet and the product before storing it in a safe, dry location where it will not be crushed, banged, or subject to damage.
- Do not wrap cord around the product when storing.

- Store cord and other accessories in a safe location where these will not be cut or damaged.
- Do not place or store the product where it can fall or be pulled into a tub or sink, water or other liquid while plugged in.



IMPORTANT SAFETY INSTRUCTIONS

When using an electric product, basic precautions should always be followed, including the following:

Read all instructions before using this product.

DANGER

To reduce the risk of electric shock:

- Do not reach for a corded product that has fallen into water. Unplug immediately from the power outlet.
- Use product only in dry condition. Do not use while bathing or in a shower.
- Do not place or store the product where it can fall or be pulled into a tub or sink. Do not place or drop the product into water or other liquid.
- Except when charging, always unplug this product from the power outlet immediately after use.
- Remove power cord from power outlet and product before cleaning.

WARNING

To reduce the risk of burns, fire, electric shock, or injury to persons:

- Close supervision is required when this product is used by, on, or near children, or persons with limited physical, sensory, or mental capabilities or invalids.
- Use this product only for its intended household use as described in this manual. Do not use attachments not recommended by Philips North America LLC.
- Never operate this product if it has a damaged power cord, if it is not working properly, after it has been dropped or damaged, or after the product or power cord has been dropped into water. For assistance call 1-800-243-3050.

- Keep the power cord away from heated surfaces.
- Never drop or insert any object into any opening.
- Do not use the power cord in or near a power outlet that contains an electric air freshener to prevent damage to the power cord.
- Do not use product outdoors or operate where aerosol (spray) products are being used or where oxygen is being administered.
- Always check cutters, cutting unit and guards before using the product. Do not use the product if cutters, cutting unit or guards are damaged, as injury may occur.
- Always attach power cord to product first, then to power outlet. To disconnect, set all controls to 'off' position. Then remove power cord from power outlet.
- Plug power cord directly into power outlet. Do not use an extension cord.
- Unplug power cord before plugging in or unplugging the product.
- Only use the power cord and other accessories supplied with the product.
- Do not attempt to open the product to remove or replace the built-in rechargeable battery.

IMPORTANT: The power plug contains a transformer. Do not cut off the power plug to replace it with another plug as this will cause a hazardous condition.

SAVE THESE INSTRUCTIONS

Warning

This content is compiled from multiple sources and is provided for reference purposes only. It may not be complete or fully applicable to all situations. If you are unable to resolve your issue, please contact the product manufacturer or an authorized service provider for official support.