

OPERATING YOUR MICROWAVE OVEN

Settings

Clock

The Clock is a 12-hour (12:00-11:59) or 24-hour (0:00-23:59) clock. Touch CLOCK/OPTIONS to reach Clock submenu, and follow the prompts to set the clock. Clock format (12 hours with AM and PM or 24 hours) may also be set in the Clock submenu.

Kitchen Timer

With the microwave oven in standby mode, touch the Kitchen Timer control, enter time, then touch the Kitchen Timer control or the Start control. Cook functions may be entered while the Kitchen Timer is counting down. To cancel timer, touch Kitchen Timer control while the timer countdown is active in the display.

Control Lock

Activate to avoid unintended start. Touch and hold the Cancel control for about 3 seconds until 2 tones sound and padlock icon appears in the display. Repeat to unlock control.

Clock/Options

Ten options/settings may be adjusted: 1-Clock and Energy Save; 2-Scrolling Speed; 3-Sound; 4-Language (English or French); 5-Filter Reset; 6-Fan Timer; 7-Light Timer; 8-Calibrate Temp; 9-Demo Mode; 10-Factory Reset.

Energy Save

To conserve energy, the Clock will automatically turn off when the microwave oven goes into standby mode. Touch CLOCK/OPTIONS to reach the Clock and Energy Save submenu, and follow the prompts to turn on Clock.

Scroll Speed

Scroll speed of the text may be adjusted. Touch CLOCK/OPTIONS to reach the Scrolling Speed submenu, and follow the prompts to set speed.

Sound (Tones)

Programming tones and signals. Key beep tones may be turned off, or all tones (including end-of-function signals) may be turned off. Touch CLOCK/OPTIONS to reach the Sound submenu, then follow the prompts to turn off or on the programming tones or all tones.

Language (on some models)

Language of the display text may be changed. Touch CLOCK/ OPTIONS to reach the Language submenu, and follow the prompts to set language to English or French.

Filter Reset

Reset the filter status after replacing and/or cleaning the filters. Touch CLOCK/ OPTIONS to reach the Filter Reset submenu, and activate reset.

Vent Fan

Various speeds, ranging from high to low, and off. Comes on automatically as cooling fan during any cook function.

Fan Timer:

Set vent fan to run for exactly 30 minutes, or to run for only 30 minutes more (off after 30 minutes). The vent fan may be turned off at any time using the Vent Fan control. Touch CLOCK/OPTIONS to reach the Fan Timer submenu, and select the setting.

Light Timer

Set the cooktop light to turn on and off at certain times. Touch CLOCK/OPTIONS to reach the Light Timer submenu, and follow the prompts to set the light on time and light off time in hours and minutes, or to cancel Light Timer.

NOTE: Light Timer uses 12-hour clock only

Calibrate Temp

The actual convection cooking temperature may be calibrated higher or lower than the displayed temperature. For example, if you want the microwave oven to be a bit hotter, you may try setting the calibration to +10°. Touch CLOCK/OPTIONS to reach the Calibration submenu. The current setting will appear in the display with a check mark next to it. Use number pads to select temperature variations in degrees Fahrenheit: 1= ±0° (reset to default), 2= +5° (+2.8°C), 3= +10° (+5.6°C), 4= +15° (+8.3°C), 5= +20° (+11.1°C), 6= -5° (-2.8°C), 7= -10° (-5.6°C), -8= -15° (-8.3°C) and 9= -20° (-11.1°C).

Demo Mode

Activate to practice using the control without actually turning on the magnetron. Touch CLOCK/OPTIONS to reach the Demo Mode submenu, the follow the prompts to activate. The DEMO icon will light up in the display. Repeat to deactivate.

Standby Mode

When no functions are working (12-hour clock is displayed or if the clock has not been set), oven will switch to standby power mode and dim the LCD brightness after 5 minutes. Press any button or open/close the door, display will return to the normal brightness.

Features

Cooking Rack

Use the rectangular cooking rack only for 2-level cooking. To avoid damage to the microwave oven, always remove rack after 2-level cooking. To avoid damage to the microwave oven due to soil buildup, clean rack supports often.

Turntable

Turntable may be turned off for manual cooking only. This is helpful when cooking with plates that are bigger than the turntable, or when cooking with plates that are side by side. Turntable cannot be turned off during preset or sensor (on some models) functions.

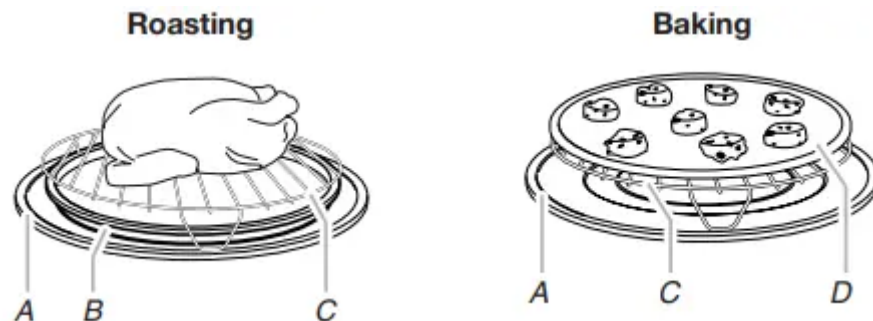
Convection Element and Fan

The convection element and fan are embedded in the wall of the microwave oven cavity, behind the metal screen.

Accessories

Convection Rack

Use the short convection rack for convection cycles (baking or roasting). Place cookware directly on rack for bake and for some roast functions. Some roast functions require that the food be placed directly on the rack. Use a microwave-safe, ovenproof dish or pan under the rack to catch the drippings.



- A. Turntable
- B. Pan (not provided)
- C. Convection rack
- D. Cookie sheet (not provided)

Cookware and Dinnerware

Microwave-Safe

- Browning dish (Follow manufacturer recommendations.)
- Ceramic glass, glass
- China, earthenware (Follow manufacturer recommendations.)

- Melamine (Follow manufacturer recommendations.)
- Paper towels, paper plates, napkins (Use non-recycled paper.)
- Plastic wraps, bags, covers, dinnerware, containers (Follow manufacturer recommendations.)
- Pottery and clay (Follow manufacturer recommendations.)
- Silicone bakeware (Follow manufacturer recommendations.)
- Wax paper

For Use With Grill Cycles (on some models):

- Use ovenproof, microwave-safe cookware to catch drippings

For Use With Convection/Combination Cycles (on some models)

- Metal bakeware may be used only during convection (bake) cycles. Use ovenproof, microwave-safe cookware for all other convection and combination cycles.

Do Not Use

- Metal cookware and bakeware
- Straw or wicker
- Gold, silver, or pewter
- Non-approved meat thermometers, skewers
- Twist ties
- Foil liners, such as sandwich wrappers
- Staples
- Objects with gold or silver trim or with metallic glaze

To Test Cookware/Dinnerware: Place dish in microwave oven with 1 cup (250 mL) of water beside it. Program 1 minute of cook time at 100%. If dish becomes hot and the water stays cool, do not use the dish in the microwave oven.

Microwave Oven Use

Manual Cooking/Stage Cooking

Touch COOK TIME, touch number pads to enter time, touch COOK POWER (if not 100%), touch number pads to enter power level (10-90), then touch the Start control. If programming additional stages (up to three), touch OPTIONS/ CLOCK to enter programming for the next stage, then enter the cook time and cook power of each, and then touch the Start control.

Sensor Cooking

A sensor in the microwave oven detects moisture released from food as it heats, and adjusts the cooking time accordingly. Make sure microwave oven has been plugged in for at least 1 minute. Use microwave-safe dish with loose-fitting lid, or cover microwave-safe dish with plastic wrap and vent. For optimal performance, wait at least 30 minutes after convection cooking or grilling (on some models) before sensor cooking.

Doneness

Adjust doneness for automatic cooking functions by touching COOK TIME repeatedly to scroll through “NORMAL,” “MORE DONE” or “LESS DONE” within the first 20 seconds of starting the cook cycle. Doneness cannot be adjusted for Defrost functions.

Add More Time

At the end of any cycle using less than 100% cook power, “PRESS 0 TO ADD MORE TIME” scrolls in the display. Enter the additional time, if desired, and start the microwave oven. The cook power for all non-sensor cycles will be the same as in the finished cycle, but may be changed. If Add More Time is used after a sensor cycle, the cook power will be 100%, but may be changed.

Keep Warm

Hot cooked food can be kept warm in the microwave oven. The Keep Warm function uses 10% cook power. Keep Warm can be used by itself or can be programmed to follow a cooking cycle. Opening the door during Keep Warm will cancel the function.

MICROWAVE OVEN CARE

General Cleaning

IMPORTANT: Before cleaning, make sure all controls are off and the microwave oven is cool. Always follow label instructions on cleaning products. To avoid damage to the microwave oven caused by arcing due to soil buildup, keep cavity, microwave inlet cover, cooking rack supports, and area where the door touches the frame clean. Clean with mild soap, water and a soft cloth or sponge, or as indicated below.

- Grease filter: mild soap and water or dishwasher.
- Door and exterior: mild soap and water, or glass cleaner applied to paper towel.
- Control panel: sponge or soft cloth and water.
- Stainless steel (on some models): mild soap and water, then rinse with clean water and dry with soft cloth, or use stainless steel cleaner.
- Turntable: mild soap and water or dishwasher.
- Rack(s): mild soap, water and washcloth. Dishwasher cleaning is not recommended.

Installing/Replacing Filters and Light Bulbs

NOTE: A filter status indicator (on some models) appears in the display when it is time to replace the charcoal filter, and clean or replace the grease filters. See “Settings” section to reset filter status.

- Grease filters: Grease filters are on the underside of microwave oven. Clean monthly, or as prompted by filter status indicator. Slide the filter away from the tab area, and drop out the filter. To reinstall, place end of the filter into the opening opposite the tab area, swing up the other end, and slide it toward the tab area.
- Charcoal filters: The charcoal filters are behind the vent grille at the top front of the microwave oven. The charcoal filters cannot be cleaned, and should be replaced about every 6 months, or as prompted by filter status indicator. Remove two screws on the vent grille, tilt the grille forward, lift it out, and remove filters. To reinstall, place each filter into its slotted area – wire mesh side up, replace vent grille, and secure with screws.
- Cooktop light: The cooktop light is located on the underside of the microwave oven, and is replaceable. Remove bulb cover screw, and open the bulb cover. Replace bulb, close bulb cover, and secure with screw.
- Cavity light: The cavity light bulb is located behind the vent grille at the top front of the microwave oven, under the bulb cover, and is replaceable. Open door. Remove two screws on the vent grille, tilt the grille forward, and lift it out. Remove right side charcoal filter. Open bulb cover and replace bulb. Close bulb cover, replace charcoal filter, replace vent grille, and secure with screws.

ACCESSORIES

Replacement Parts

- Turntable
- Turntable support and rollers
- Turntable hub
- Cooking rack
- Rack clip
- Rack support
- Grease filter
- Charcoal filter
- Cooktop light bulb
- Cavity light bulb

Provided Accessories

- Convection rack

Cleaning Supplies

- Heavy Duty Degreaser
- affresh® Kitchen Appliance Cleaner
- affresh® Stainless Steel Cleaner
- affresh® Stainless Steel Wipes



TROUBLESHOOTING



If you experience	Recommended Solutions
Microwave oven will not operate	<p>Check the following:</p> <ul style="list-style-type: none"> • Household fuse or circuit breaker - If a household fuse has blown or a circuit breaker has tripped, replace the fuse or reset the circuit breaker. If the problem continues, call an electrician. • Magnetron - Try to heat 1 cup (250 mL) of cold water for 2 minutes at 100% cooking power. If water does not heat, try the steps in the bullets below. If microwave oven still does not operate, call for service. • Door - Firmly close door. On some models, if a packaging spacer is attached to inside of the door, remove it, then firmly close door. If a message about the door appears in the display, the door has been closed for 5 minutes or more without the microwave oven being started. This occurs to avoid unintended starting of the microwave oven. Open and close the door, and then start the cycle. • Control - Make sure control is set properly. Make sure Control Lock is off. Make sure Demo Mode (on some models) is off.
Arcing in the microwave oven	<p>Check the following:</p> <ul style="list-style-type: none"> • Soil buildup - Soil buildup on cavity walls, microwave inlet cover, cooking rack supports, and area where the door touches the frame can cause arcing. See “General Cleaning” in “Microwave Oven Care” section.
Turntable alternates rotation direction	<ul style="list-style-type: none"> • This is normal and depends on motor rotation at the beginning of the cycle.
Display shows messages	<ul style="list-style-type: none"> • “Enter Clock” with flashing digits means there has been a power failure. Reset the clock. • A letter followed by a number is an error indicator. Call for assistance.
Odor and smoke coming from microwave oven	<ul style="list-style-type: none"> • This is normal for the first few convection cycles. The odor will dissipate with repeated use.



during convection cooking	
Fan running during cooktop usage	<ul style="list-style-type: none"> • This is normal. The microwave oven's cooling fan, which is separate from the vent fan, automatically comes on during microwave oven operation to cool the microwave oven. It may also automatically come on and cycle on and off to cool the microwave oven's controls while the cooktop below is being used.
Radio, TV, or cordless phone interference	<p>Check the following:</p> <ul style="list-style-type: none"> • Proximity - Move the receiver away from the microwave oven, or adjust the radio or TV antenna. • Soil - Make sure the microwave oven door and sealing surfaces are clean. • Frequency - Some 2.4 GHz-based cordless phones and home wireless networks may experience static or noise while microwave oven is on. Use a corded phone, or a different frequency cordless phone or avoid using these items during microwave oven operation.

MICROWAVE HOOD COMBINATION SAFETY

IMPORTANT SAFETY INSTRUCTIONS

- Read all instructions before using the microwave oven.
- Read and follow the specific "PRECAUTIONS TO AVOID POSSIBLE EXPOSURE TO EXCESSIVE MICROWAVE ENERGY" found in this section.
- The microwave oven must be grounded. Connect only to properly grounded outlet. See "GROUNDING INSTRUCTIONS" found in this section and in the provided Installation Instructions
- Install or locate the microwave oven only in accordance with the provided Installation Instructions.
- Some products such as whole eggs in the shell and sealed containers - for example, closed glass jars - are able to explode and should not be heated in the microwave oven.
- Use the microwave oven only for its intended use as described in the manual. Do not use corrosive chemicals or vapors in the microwave oven. This type of oven is

specifically designed to heat, cook, or dry food. It is not designed for industrial or laboratory use.

- As with any appliance, close supervision is necessary when used by children.
- Do not operate the microwave oven if it has a damaged cord or plugs, if it is not working properly, or if it has been damaged or dropped.
- The microwave oven should be serviced only by qualified service personnel. Call an authorized service company for examination, repair, or adjustment.
- Do not cover or block any openings on the microwave oven.
- Do not store this microwave oven outdoors. Do not use the microwave oven near water - for example, near a kitchen sink, in a wet basement, near a swimming pool, or similar locations.
- Do not immerse cord or plug in water.
- Keep cord away from heated surfaces.
- Do not let the cord hang over the edge of the table or counter.
- See door surface cleaning instructions in the “Microwave Oven Care” section.
- To reduce the risk of fire in the oven cavity:
 - Do not overcook food. Carefully attend the microwave oven when paper, plastic, or other combustible materials are placed inside the oven to facilitate cooking.
 - Remove wire twist-ties from paper or plastic bags before placing bags in the oven
 - If materials inside the oven ignite, keep the oven door closed, turn the oven off, and disconnect the power cord, or shut off power at the fuse or circuit breaker panel.
 - Do not use the cavity for storage purposes. Do not leave paper products, cooking utensils, or food in the cavity when not in use.
- Liquids, such as water, coffee, or tea are able to be overheated beyond the boiling point without appearing to be boiling. Visible bubbling or boiling when the container is removed from the microwave oven is not always present. THIS COULD RESULT IN VERY HOT LIQUIDS SUDDENLY BOILING OVER WHEN THE CONTAINER IS DISTURBED OR A SPOON OR OTHER UTENSIL IS INSERTED INTO THE LIQUID. To reduce the risk of injury to persons:
 - Do not overheat the liquid.
 - Stir the liquid both before and halfway through heating it.
 - Do not use straight-sided containers with narrow necks.
 - After heating, allow the container to stand in the microwave oven for a short time before removing the container.
 - Use extreme care when inserting a spoon or other utensil into the container.
- Do not mount over a sink.
- Do not store anything directly on top of the microwave oven when the microwave oven is in operation.

- Oversized foods or oversized metal utensils should not be inserted in the microwave oven as they may create a fire or risk of electric shock.
- Do not clean with metal scouring pads. Pieces can burn off the pad and touch electrical parts involving a risk of electric shock.
- Do not use paper products when the appliance is operated in convection, combination, grill or "PAN BROWN" mode.
- Do not store any materials, other than the manufacturer's recommended accessories, in this microwave oven when not in use.
- Do not cover racks or any other part of the microwave oven with metal foil. This will cause overheating of the microwave oven.
- Clean Ventilating Hoods Frequently - Grease should not be allowed to accumulate on hood or filter.
- When flambéing foods under the hood, turn the fan on.
- Suitable for use above both gas and electric cooking equipment.
- Intended to be used above ranges with a maximum width of 36" (91.44 cm).
- Use care when cleaning the vent-hood filter. Corrosive cleaning agents, such as lye-based oven cleaners, may damage the filter.

PRECAUTIONS TO AVOID POSSIBLE EXPOSURE TO EXCESSIVE MICROWAVE ENERGY

- (a) Do not attempt to operate this oven with the door open since open-door operation can result in harmful exposure to microwave energy. It is important not to defeat or tamper with the safety interlocks.
- (b) Do not place any object between the oven's front face and the door or allow soil or cleaner residue to accumulate on sealing surfaces.
- (c) Do not operate the oven if it is damaged. It is particularly important that the oven door closes properly and that there is no damage to the:
- (1) Door (bent),
 - (2) Hinges and latches (broken or loosened),
 - (3) Door seals and sealing surfaces.
- (d) The oven should not be adjusted or repaired by anyone except properly qualified service personnel.

Electrical Requirements

Observe all governing codes and ordinances.

Required:

- A 120-volt, 60 Hz, AC only, 15- or 20-amp electrical supply with a fuse or circuit breaker.

Recommended:

- A time-delay fuse or time-delay circuit breaker.
- A separate circuit serves only this microwave oven.

GROUNDING INSTRUCTIONS

- For all cord-connected appliances: The microwave oven must be grounded. In the event of an electrical short circuit, grounding reduces the risk of electric shock by providing an escape wire for the electric current. The microwave oven is equipped with a cord having a grounding wire with a grounding plug. The plug must be plugged into an outlet that is properly installed and grounded.

WARNING: Improper use of the grounding plug can result in a risk of electric shock. Consult a qualified electrician or serviceman if the grounding instructions are not completely understood, or if doubt exists as to whether the microwave oven is properly grounded. Do not use an extension cord. If the power supply cord is too short, have a qualified electrician or serviceman install an outlet near the microwave oven.

Warning

This content is compiled from multiple sources and is provided for reference purposes only. It may not be complete or fully applicable to all situations. If you are unable to resolve your issue, please contact the product manufacturer or an authorized service provider for official support.