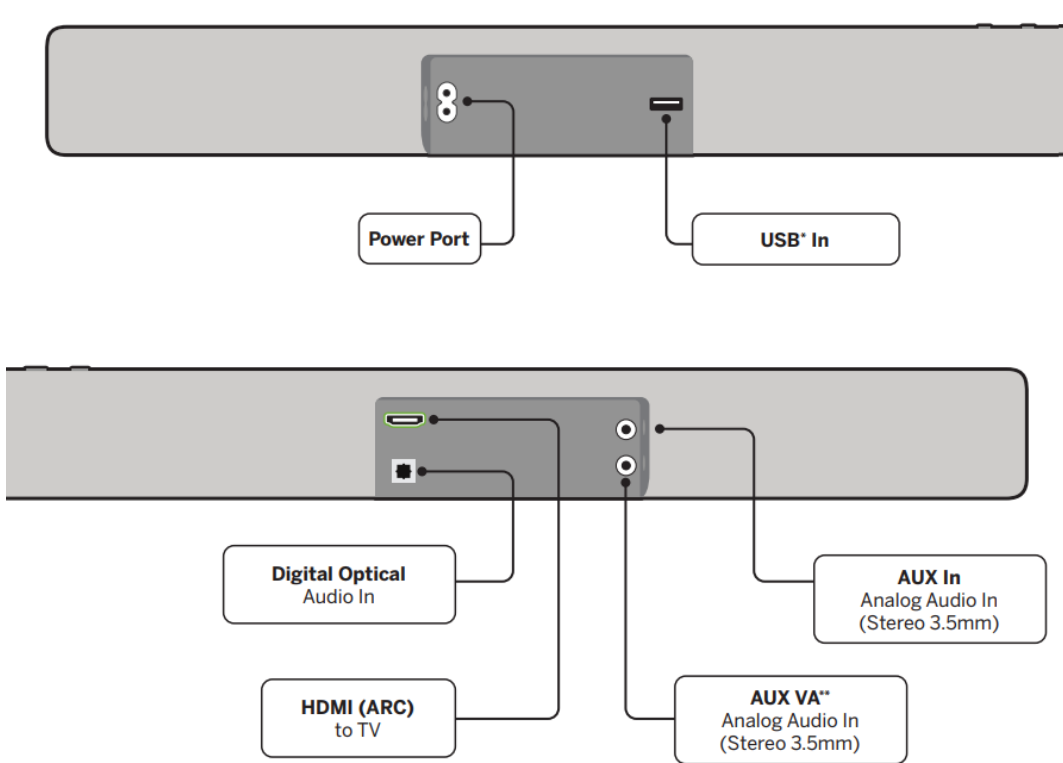
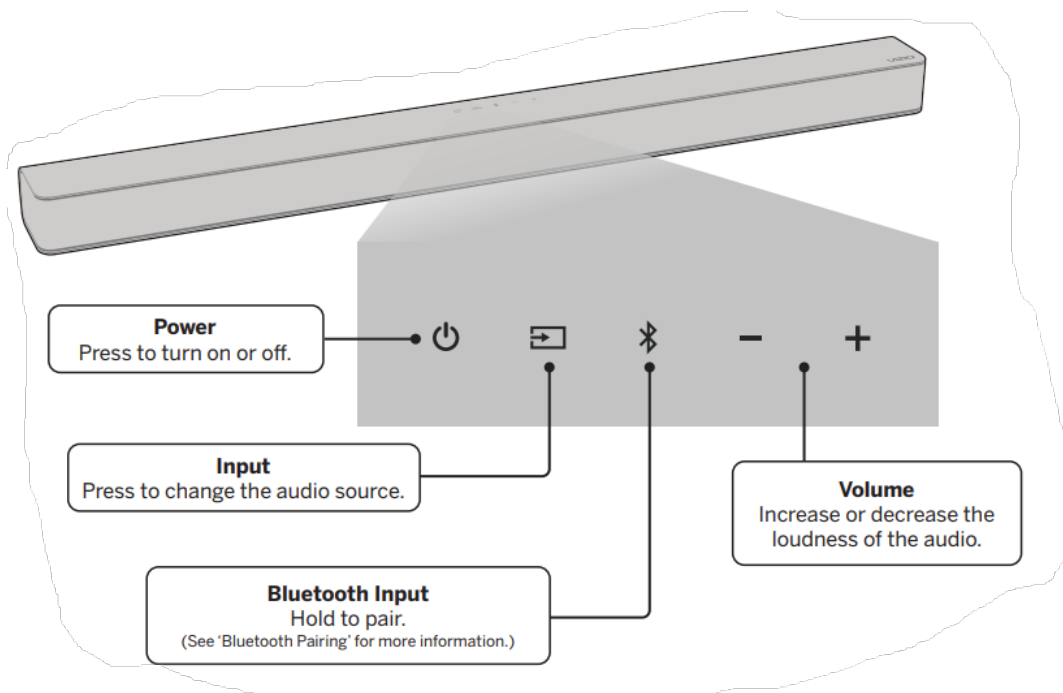


## Controls & Connections

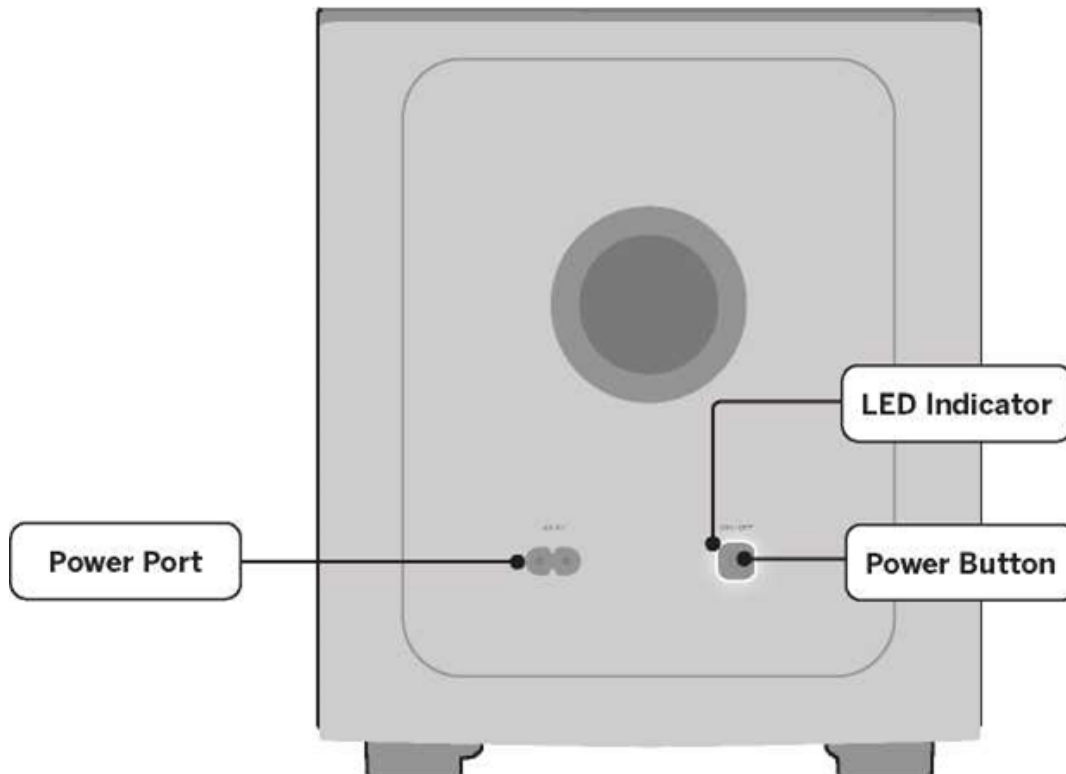
### Back of Sound Bar



### Top of Sound Bar

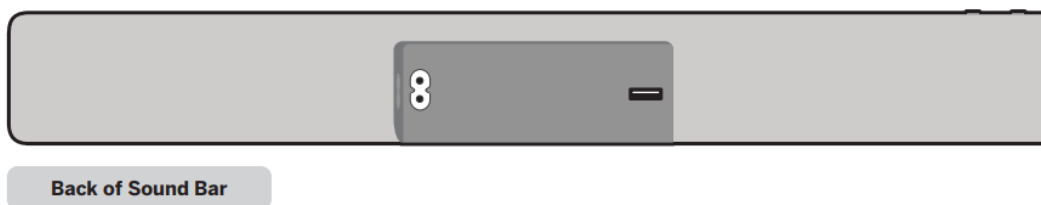


## Back of Subwoofer

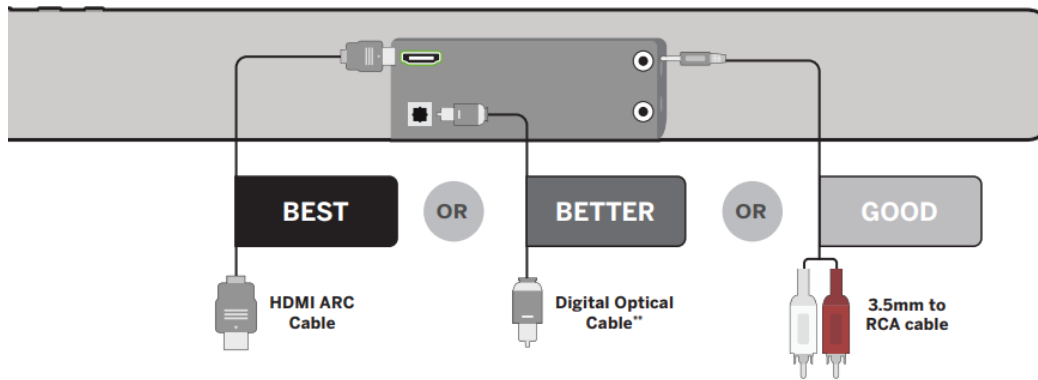


## First-time Setup

1. Choose the best possible connection cable type and connect it to your TV.\*



Be sure the TV port is an **audio output**, not an audio input.



**\*Not all TVs have the audio outputs shown.**

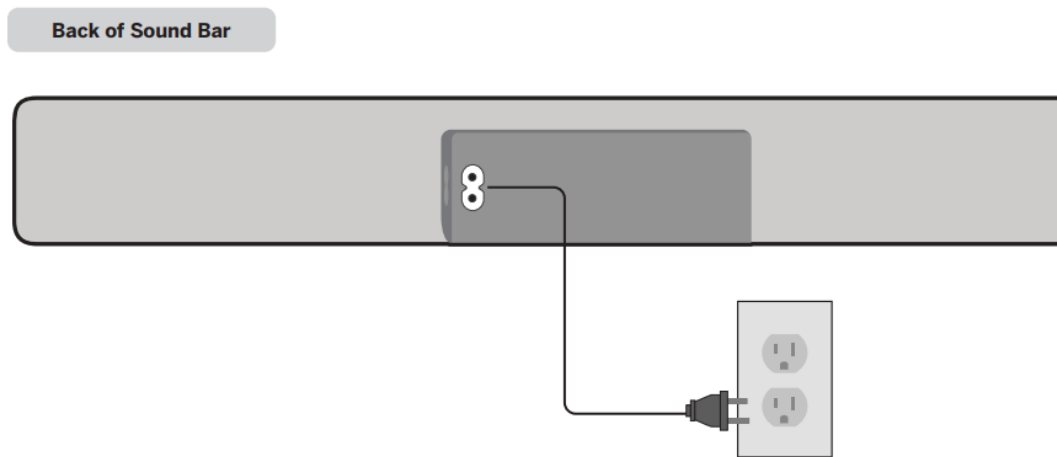
To connect the sound bar directly to your other devices (Blu-ray player, game system, etc.) see your device's user manual.

**\*\*Some TVs do not pass through digital audio:**

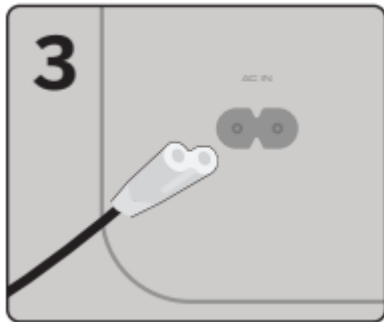
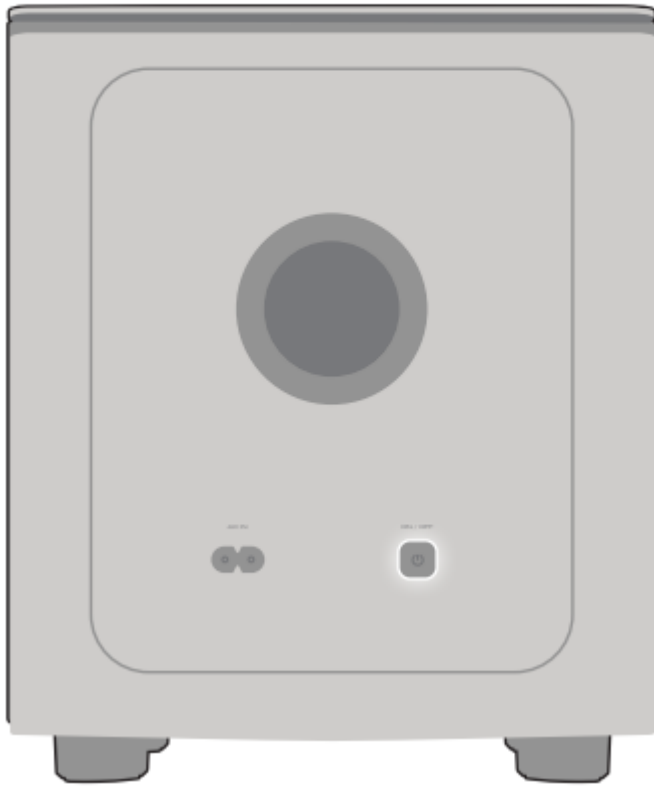
When using the digital input, if there is no audio, try:

- setting the TV output to PCM, or
- connecting directly to your Blu-ray or other source.

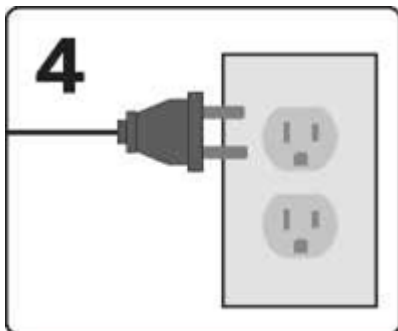
2. Connect the power cable to the sound bar AC IN as shown. Plug the power cable into an electrical outlet.



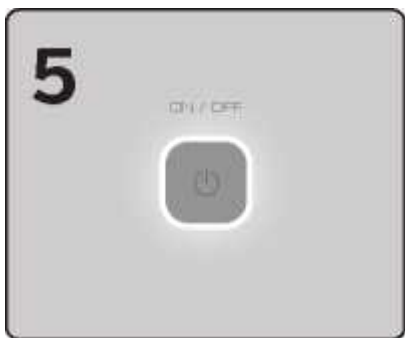
## Back of Subwoofer



3. Connect the power cable to the subwoofer.



4. Plug the power cable into a power outlet.



5. The subwoofer should automatically power on and link to the sound bar when plugged in. The LED will glow to solid to confirm.

6. Remove the battery cover by gently sliding it away from the remote.



7. Insert the included batteries and gently slide the battery cover back into place.

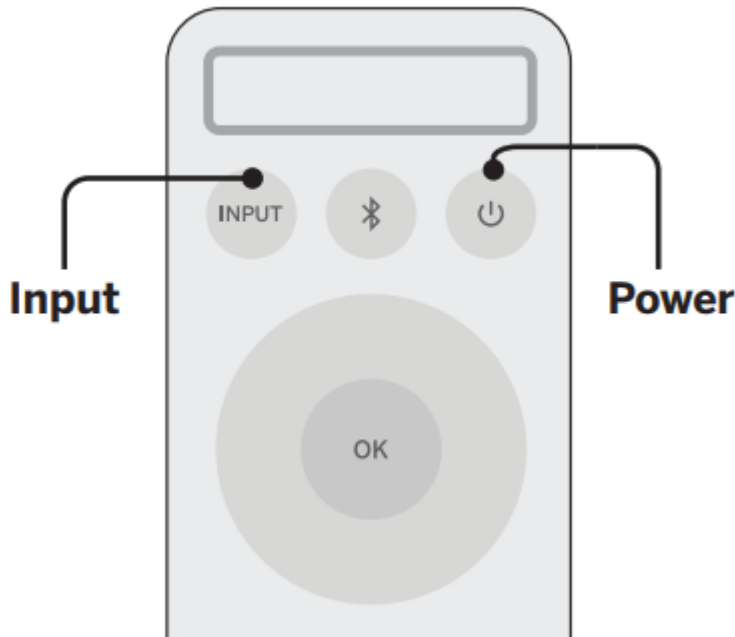


When needed, VIZIO recommends replacing the batteries that came with this remote with two, new Duracell 'AAA' alkaline batteries.

8. After turning on both your TV and sound bar, it will automatically begin searching for an active input.\* The LED indicator on the front of the sound bar will begin cycling in different colors through inputs until an audio source is detected.\*\*

Tip: Pressing the INPUT button will stop the auto detect function.

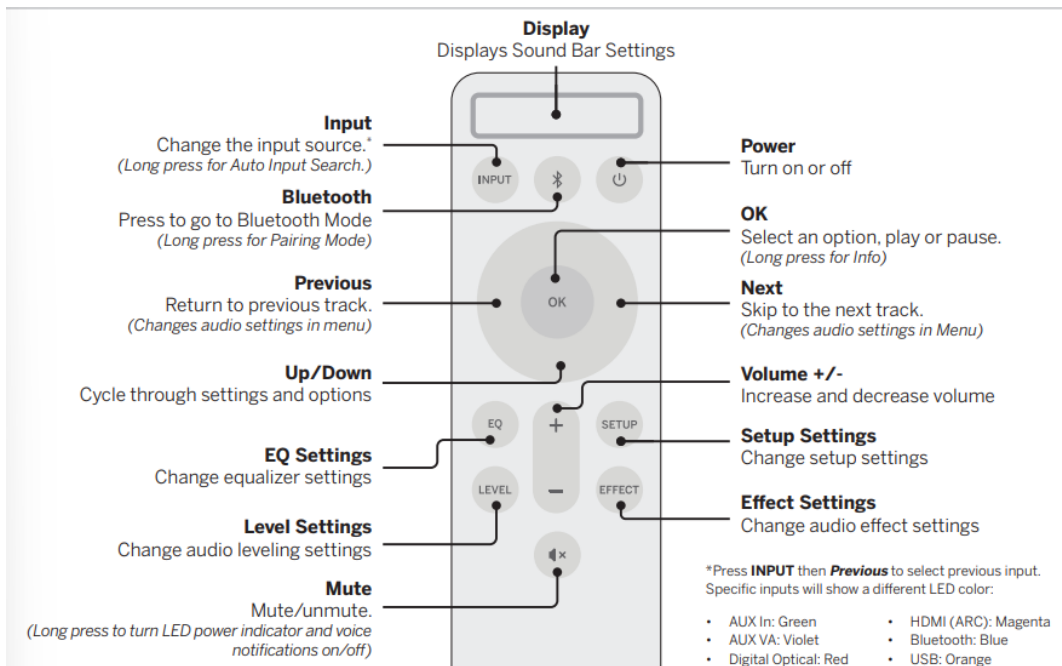
You can press the INPUT button to switch between audio sources. For example, if you connected your TV to HDMI (ARC), set the sound bar to HDMI-ARC.



\*Occurs only during first-time set up.

\*\*Auto detect function only occurs once when the sound bar is first powered on. To enable this feature again, you must do a Factory Reset (see the Using Button Combinations on page 16 for more information) or press and hold the **INPUT** button for 4 seconds.

## Using the Remote



# Mode & Level Settings

Press each setting button and use the Up/Down buttons to access the different settings. Each setting will be displayed on the remote control's LCD display. The LED indicators will behave differently with each function.



LED Indicators are located here.

Function	LED Behavior	Description
<b>Equalizer Mode</b> EQ		Press the <b>EQ</b> button and use the <b>Up/Down</b> buttons to toggle between preset equalizer settings: Movie, Music, Dialogue, and Game. <b>Note:</b> Movie mode is on by default.
<b>Bass Level</b> Bass	Two center LEDs indicate bass level 0.	<b>LEVEL &gt; Bass &gt;</b> Use the <b>Next/Previous</b> buttons to increase/decrease the bass level. The LED indicators will move to the top with increasing level and to the bottom with decreasing level.
<b>Treble Level</b> Treble	Two center LEDs indicate treble level 0.	<b>LEVEL &gt; Treble &gt;</b> Use the <b>Next/Previous</b> buttons to increase/decrease the treble level. The LED indicators will move to the top with increasing level and to the bottom with decreasing level.
<b>Subwoofer Level</b> Subwoofer	Two center LEDs indicate subwoofer level 0.	<b>LEVEL &gt; Subwoofer &gt;</b> Use the <b>Next/Previous</b> buttons to increase/decrease the subwoofer level. The LED indicators will move to the top with increasing level and to the bottom with decreasing level.
<b>AV Delay</b> AV Delay	LED at the bottom indicates no delay.	<b>SETUP &gt; AV Delay &gt;</b> Use the <b>Next/Previous</b> buttons to increase/decrease the amount of audio delay. The LED indicators will move to the top with increasing audio delay level.
<b>Info</b> Info	—	<b>SETUP &gt; Info &gt; OK</b> to have the sound bar verbally announce the current sound bar input and audio type being played with corresponding LED indicators.

Function	LED Behavior	Description
<b>Auto VA</b> Auto VA		<b>SETUP &gt; Auto VA &gt;</b> Use the <b>Next/Previous</b> buttons to toggle between connecting the sound bar to a Voice Assistant through Bluetooth (BT), AUX, Both, or OFF. Refer to <i>Connecting to a Voice Assistant</i> on page 20 for more information. <b>Note:</b> Default setting is Both.
<b>Eco Power Mode</b> Eco Pwr		<b>SETUP &gt; EcoPwr &gt;</b> Use the <b>Next/Previous</b> buttons to enable/disable Eco Power Mode. When ON, the sound bar will go into standby after a period of inactivity. The sound bar will automatically turn off when no audio signal is detected. Off disables this feature. <b>Note:</b> Default setting is Off
<b>Input Search</b> Input Srch	The LED indicator color will change per specific input.	<b>SETUP &gt; Input Search &gt; OK</b> to initiate an automatic input detection sequence. This is the same as a long key press of the <b>INPUT</b> button on the remote. Specific inputs will show a different LED color: <ul style="list-style-type: none"> <li>• AUX In: Green</li> <li>• AUX VA: Violet</li> <li>• Digital Optical: Red</li> <li>• HDMI (ARC): Magenta</li> <li>• Bluetooth: Blue</li> <li>• USB: Orange</li> </ul>
<b>Program Remote Learn</b> Prg Remote	<b>Waiting to learn:</b> Flash from bottom to top and back continuously.	<b>SETUP &gt; PrgRemote &gt;</b> Use the <b>Next/Previous</b> buttons and <b>OK</b> button to toggle and select and program your TV remote to control the <b>Volume Down</b> , <b>Volume Up</b> , and <b>Mute</b> functions on your sound bar. See the <i>Programming the Sound Bar</i> page 17 for more information.
<b>Power LED</b> PwrLED		<b>SETUP &gt; PwrLED &gt;</b> Use the <b>Next/Previous</b> buttons and <b>OK</b> button to enable/disable the Power LED.
<b>Reset Audio or Reset All</b> Reset All	All LEDs will flash 3 times when settings are reset.	<b>SETUP &gt; Reset Audio or Reset All &gt;</b> Use the <b>Next/Previous</b> buttons to reset either Audio or All settings. Press the <b>OK</b> button to select. <b>Audio</b> - Only audio settings, such as bass and treble levels, will be reset. <b>All</b> - All paired Bluetooth devices will be unpaired and all settings will be lost. All programmed IR remotes will also be removed. See the <i>Factory Reset</i> on page 16 for more information.



Function	LED Behavior	Description
<b>Speaker Test</b> Spkr Test	—	<b>SETUP &gt; Spkr Test &gt; OK</b> to activate the speaker test function. A voice will begin calling out each speaker beginning with <i>left</i> (left, right, and subwoofer-white noise). If any of these are missing, check the connection and run the speaker test function again.
<b>VIZIO Remote</b> VZtvRmt	← Remote On Remote Off →	<b>SETUP &gt; VZtvRmt &gt;</b> Use the <b>Next/Previous</b> buttons to enable/disable VIZIO TV Remotes. When enabled (On), you can use a VIZIO TV remote control to turn on the sound bar (using the <b>TV Volume Up</b> button) and control volume.
<b>Virtual:X</b> VRT :X	← Virtual:X On Virtual:X Off →	<b>EFFECT &gt; VRT:X &gt;</b> Use the <b>Next/Previous</b> buttons to enable/disable <b>Virtual:X</b> . When enabled (On), all inputs will produce a virtual sound technology that simulates the effect of having overhead sound. When disabled (Off), all sources will playback without virtualization.
<b>TruVolume</b> TruVol	← TruVolume On TruVolume Off →	<b>EFFECT &gt; TruVol &gt;</b> Use the <b>Next/Previous</b> buttons to enable/disable TruVolume. When enabled (On), TruVolume provides a consistent and comfortable volume level for a more enjoyable listening experience. <b>Note:</b> Default setting is Off
<b>Night Mode</b> Night	← Night Mode On Night Mode Off →	<b>EFFECT &gt; Night &gt;</b> Use the <b>Next/Previous</b> buttons to enable/disable Night Mode. When enabled (On), the sound bar will lower bass frequency levels to provide a more quiet environment (ideal for apartment living and homes with sleeping children). <b>Note:</b> Night mode will reset to Off after a power cycle.
<b>Dolby Audio or DTS signal</b>	Dolby Audio: white LED DTS signal: amber LED	Dolby Audio and DTS are available on the <b>HDMI ARC</b> and <b>Digital Optical Audio</b> inputs. When a Dolby Audio or DTS signal is detected, the LED will light up for 3 seconds before fading away.

## Using Button Combinations

There are other functions that are triggered by different button combinations on the sound bar.



Buttons are located here.

Function	LED Behavior	Description
<b>Factory Reset</b>	All LEDs will flash 3 times	Reset the sound bar to the factory default settings. To perform a Factory Reset, <b>Press and Hold</b> the <b>Bluetooth</b> (⌘) and <b>Volume Down</b> (–) buttons for 5 seconds. <b>Note:</b> This will erase all settings and preferences that you have set.
<b>VIZIO TV Remote Control</b>	← Enable VIZIO TV remote Disable VIZIO TV remote →	Enable/disable the use of a VIZIO TV remote control to power on and adjust the volume of the sound bar. To enable/disable this function, <b>Press and Hold</b> the <b>Power</b> (⏻) and <b>Volume Up</b> (+) buttons for 5 seconds.
<b>Eco Power Mode</b>	← Enable Eco Power Disable Eco Power →	When the Eco Power mode setting is enabled, the sound bar will automatically power down after a period of inactivity. When disabled, the sound bar will remain powered on until you turn it off. To enable/disable this function, <b>Press and Hold</b> the <b>Power</b> (⏻) and <b>Volume Down</b> (–) buttons for 5 seconds. <b>Note:</b> Eco Power Mode setting is <b>OFF</b> by default.

## Programming the Sound Bar

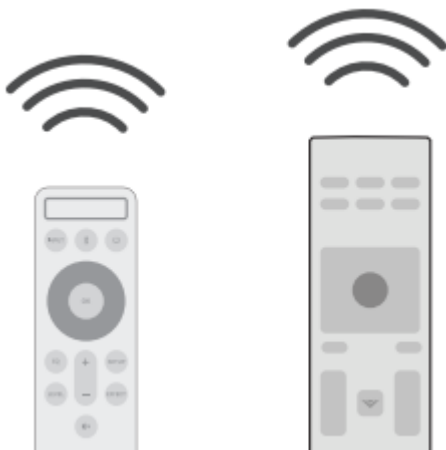
You can program your sound bar to accept TV remote IR commands.

- Press the **SETUP** button on the remote, then use the Up/Down buttons to navigate to **Prg Remote**.

- Use the Next/Previous buttons to toggle through Learn Vol -, Learn Vol +, and Learn Mute.

Function	LED Behavior	Description
<b>Learn Volume Down</b> Learn Vol-	<b>Waiting to learn:</b> Flash from bottom to top and back continuously.	Press the <b>OK</b> button to put the sound bar into learning mode. While the sound bar is in learning mode, press the <b>Volume Down</b> button on the TV remote control.
<b>Learn Volume Up</b> Learn Vol+		Press the <b>OK</b> button to put the sound bar into learning mode. While the sound bar is in learning mode, press the <b>Volume Up</b> button on the TV remote control.
<b>Learn Mute</b> Learn Mute	<b>Learning confirmed:</b> All of the LEDs will blink twice.	Press the <b>OK</b> button to put the sound bar into learning mode. While the sound bar is in learning mode, press the <b>Mute</b> button on the TV remote control.

Point both the sound bar and TV remotes towards the front of the sound bar when programming.

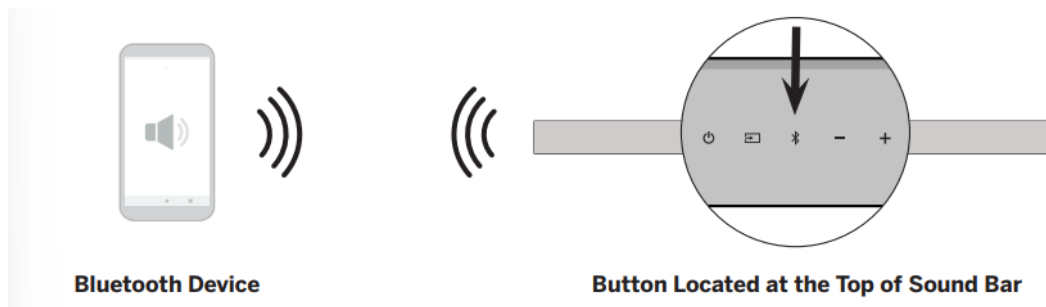


Turn off your TV speakers when programming your sound bar.

## Bluetooth Pairing

To pair the sound bar with a Bluetooth device:

1. Press and hold the Bluetooth button on the sound bar or remote control for three (3) seconds.
2. Search for the sound bar (VIZIO V21) using your Bluetooth device. For more information, refer to the user documentation that came with the device.
3. Now you can play audio from your Bluetooth device. Volume can be controlled on both your source device and the sound bar.



The LED indicators on the display panel on the front of the sound bar will light up sequentially from bottom to top and back again. Once the device is paired, the LED indicators will stop flashing.

## Using Bluetooth Mode

1. Your sound bar supports music streaming from devices with Bluetooth capability. (Device compatibility will vary, see your device's documentation for more information.)
2. Once you have paired your source device to the sound bar your device should remain paired (within range).
3. If the source is changed back to Bluetooth, any paired Bluetooth device will reconnect automatically.
4. If the input is changed, the Bluetooth device will disconnect (will stay connected if Auto VA BT is on).

### Maximizing Signal

A Bluetooth signal has a range of up to 30 feet. Keep in mind that Bluetooth is a compressed audio format, so streamed music may lose some integrity when compared to a wired connection. Try the following if your sound quality is less than optimal:

- If you hear any break-up or disconnect while streaming music from your device, move the source device closer to the sound bar.
- Be sure that there are no solid obstructions in the line-of-sight between the sound bar and the source device.
- Other wireless devices can affect Bluetooth range, including wireless security cameras, wireless video baby monitors, cordless phones, and microwave ovens. Turning off or moving these devices may improve Bluetooth range

Your sound bar is not equipped with a microphone, so it cannot operate as a hands-free device for a smartphone.

Reduce the volume levels on your device and on the sound bar before pressing Play. High volume levels can damage your hearing.

## Connecting to a Voice Assistant

Your sound bar can connect to a Voice Assistant (VA) device through an AUX VA or Bluetooth connection. Once connected, your sound bar will now act as the VA speaker.

Features and Benefits:

- Assistant Dedicated Input: VA can be active on the sound bar even if the sound bar is set to a different input with audio playing.
- Auto Muting: If playing audio from the sound bar, the VA will play over the original source audio for 10 seconds. If continued after the 10 seconds, the VA audio will mute the original source audio. Once the VA audio is stopped the original source audio will resume.

Make sure your sound bar is turned ON and Eco Power setting is turned OFF. Refer to Eco Power Mode on page 16 to disable.

Setup Tips:

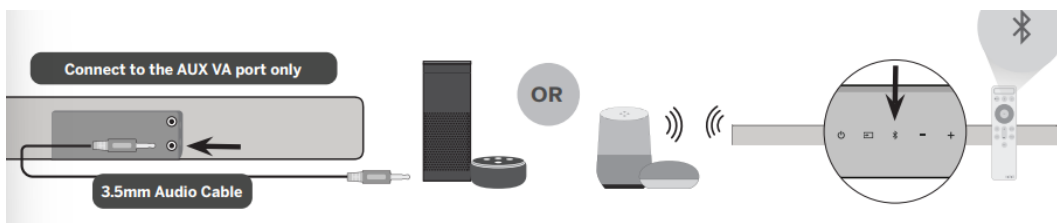
- If the VA audio is too low, adjust the volume from the VA device.
- If the start of the response from the VA is cut off, enable “Start of Request” from your VA app settings.
- To disable the VA function, use the display remote to turn the Auto VA feature to OFF. Refer to Auto VA on page 14 for more information.

### Using the AUX VA Port to Connect

Use a 3.5mm audio cable to connect the AUX VA port on the sound bar to an AUX port on your voice assistant device. If there is no AUX port on the VA device, use a Bluetooth connection instead.

Benefits of this type of connection:

Simple and easy connection setup.



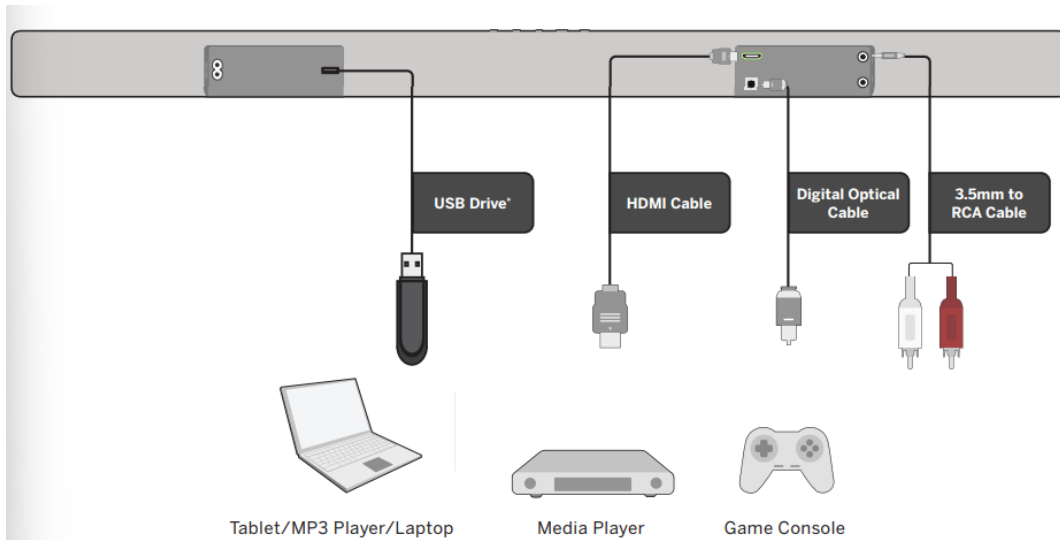
### Using Bluetooth to Connect

Press and hold the Bluetooth button on the sound bar or remote for three (3) seconds. Search for the sound bar (VIZIO V21) using your VA device app. For more information, refer to the user documentation that came with the device.

Benefits of this type of connection:

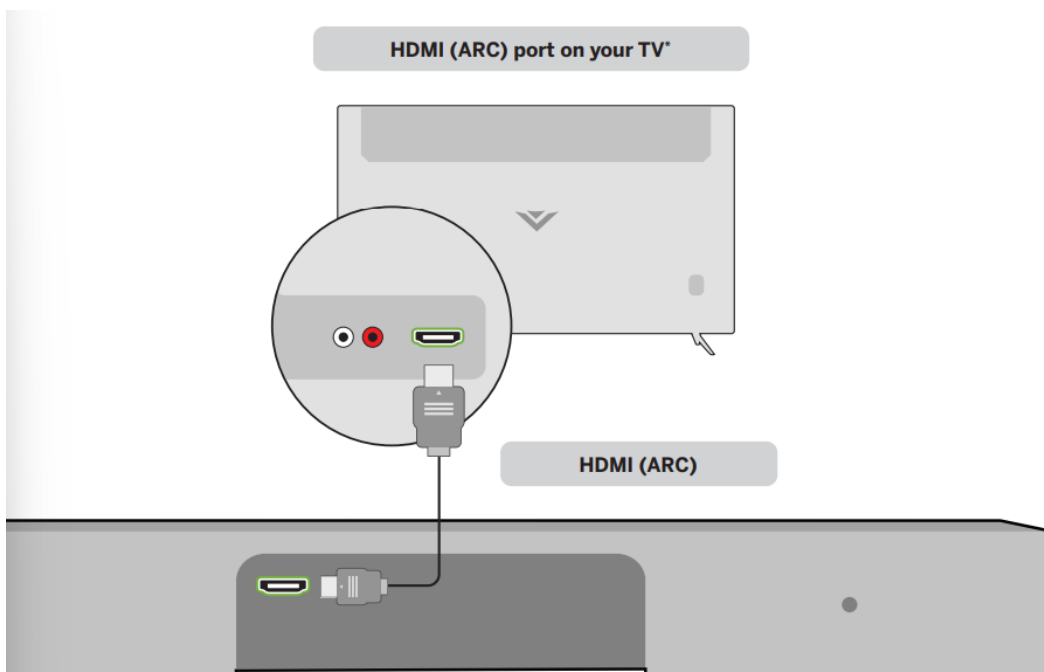
- Ability to position the VA device in other locations other than physically connected to the sound bar.
- Ability to place the VA device closer to you so that it can hear commands better.

## Advanced Setup



\*Supports .WAV and .MP3 file format **playback only**.

## Connecting with HDMI ARC



\*HDMI ARC port location may differ by TV manufacturer. See your TV's user manual for more information.

### What is HDMI Audio Return Channel (ARC)?

- Using HDMI ARC, your TV can send audio to the sound bar using an HDMI cable.
- Connect your sound bar to your TV's HDMI ARC port using an HDMI cable that is ARC compatible.

#### 1. To connect using HDMI\* :

1. Connect one end of the HDMI cable to the HDMI 1 (ARC) port on the back of your TV.
2. Connect the other end to the HDMI (ARC) port on your sound bar.
3. From the AUDIO menu on your TV, change the Digital Audio Setting to Dolby Digital or Bitstream.
4. From the SYSTEM menu, enable CEC and ARC (SAC)† functions.
5. From the CEC menu, select Device Discovery to register the sound bar with the TV.

If you want to use the TV remote to control the sound bar volume: Enable System Audio Control from the CEC menu.

\* The following steps are for use with a VIZIO TV, steps may differ by TV manufacturer. See your TV's user manual for more information.

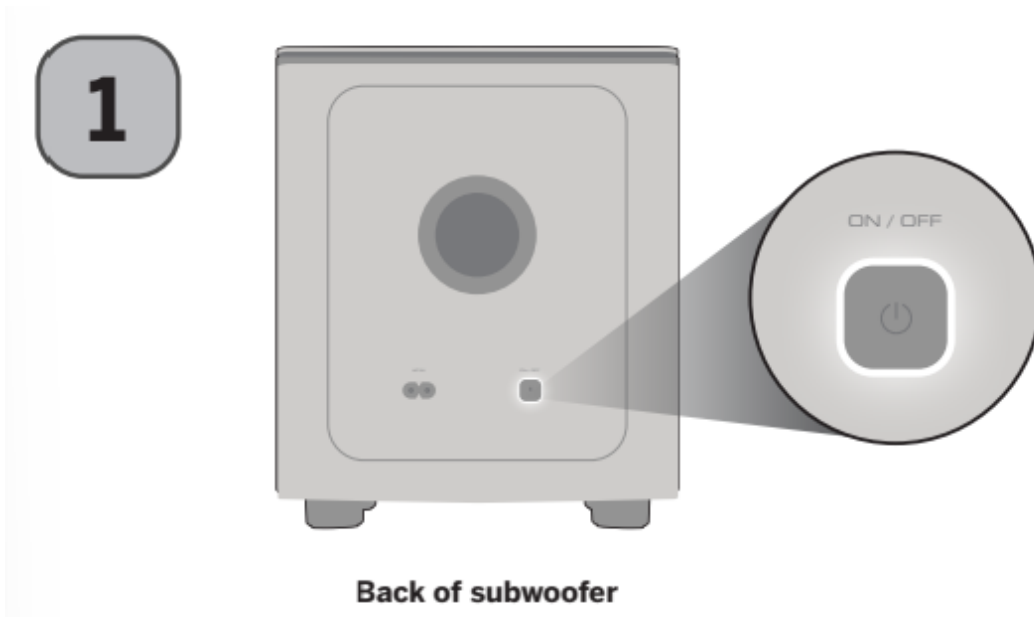
CEC Function naming may differ by TV manufacturer. See your TV's user manual for more information.

## Connecting a Subwoofer

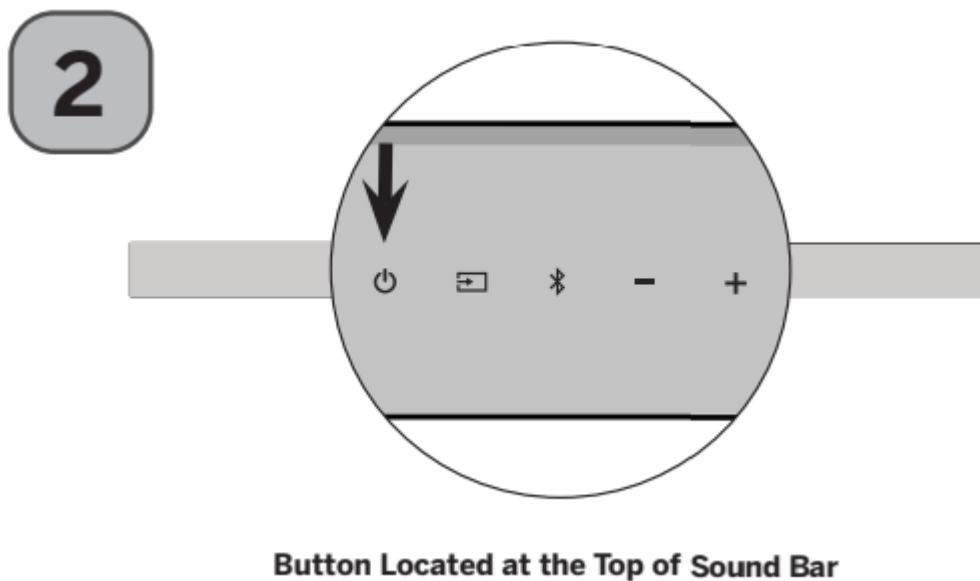
What does pairing mean? Pairing means to wirelessly connect.



The subwoofer has already been paired with the sound bar by VIZIO. However, the subwoofer may need to be re-linked to the sound bar if there is no sound coming from the subwoofer.



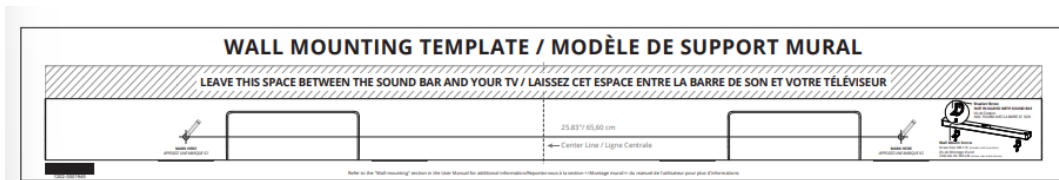
First confirm that the power LED is illuminated. Press and hold the ON/OFF button on the back of the subwoofer for 5 seconds. The LED on the back of the subwoofer will begin to blink.



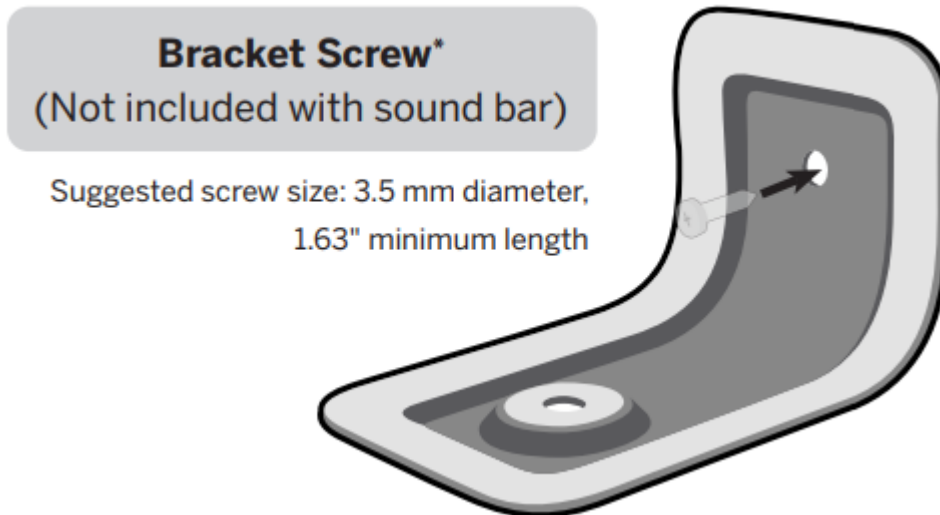
Press and hold the Power button on the top of the sound bar for 5 seconds. The LED indicators on the front will flash 3 times. The subwoofer is now linked with the sound bar.

## Wall-mounting

1. Place the included wall mounting template against the wall under your TV. Mark the two bracket holes using a pencil.



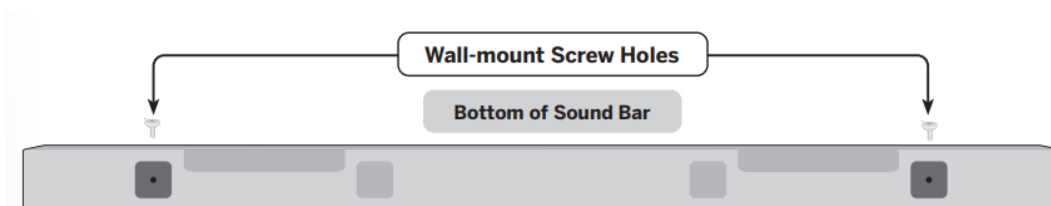
2. Then place the shorter end of the bracket on the two holes you just marked and screw into 2 the wall. Be sure your screws are attached to wood studs, drywall anchors (for drywall), or concrete anchors (for brick/concrete walls).



Screws for attaching the bracket to the wall are not included. Choose the screw type and length appropriate to your home's construction. If in doubt, consult a professional installer.

\* Do not use any of the included screws for the wall mount installation. These are not intended for mounting.

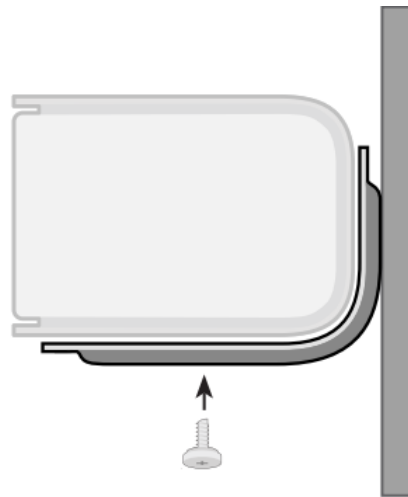
3. Place sound bar onto the L-shaped bracket and use the included bracket screws to attach.



\* Do not use any of the included screws for the wall mount installation. These are not intended for mounting.

**Wall-mount Screw**  
(Included with sound bar)

Screw size: M4 x 9L



## Help & Troubleshooting

<p>There is no power.</p>	<ul style="list-style-type: none"><li>• Press the POWER button on the remote control or on the top of your sound bar.</li><li>• Ensure the power cord is securely connected.</li><li>• Plug a different device into the electrical outlet to verify that the outlet is working correctly</li></ul>
<p>There is no sound.</p>	<ul style="list-style-type: none"><li>• Increase the volume. Press VOLUME UP on the remote control or on the top of your sound bar.</li><li>• Press MUTE on the remote to ensure the sound bar is not muted.</li><li>• Press INPUT on the remote or on the top of your sound bar to select a different input source.</li><li>• When using the Digital Optical input, if there is no audio: (A) try setting the TV output to PCM or (B) connect There is no sound. directly to your Blu-ray/other source, some TVs do not pass through digital audio.</li><li>• On digital inputs, the input LEDs will flash rapidly if an unsupported format is present. Set the source to output PCM.</li><li>• Your TV may be set to variable audio output. Confirm that the audio output setting is set to FIXED or STANDARD, not VARIABLE. Consult your TV's user manual for more detailed information.</li><li>• If using Bluetooth, ensure that the volume on your source device is turned up and that the device is not muted.</li></ul>
<p>I hear buzzing humming.</p>	<ul style="list-style-type: none"><li>• Ensure all cables and wires are securely connected.</li><li>• Connect a different source device (TV, Blu-ray player, etc) to see if the buzzing persists. If it does not, the problem may be with the original device.</li><li>• Connect your device to a different input on the sound bar.</li></ul>
<p>The remote isn't working.</p>	<ul style="list-style-type: none"><li>• Replace the remote batteries with new ones.</li><li>• Point the remote directly at the center of the sound bar when pressing a button.</li><li>• If using a Bluetooth connection, some of the buttons on the remote may not be supported by the streaming application.</li></ul>

**Warning**

This content is compiled from multiple sources and is provided for reference purposes only. It may not be complete or fully applicable to all situations. If you are unable to resolve your issue, please contact the product manufacturer or an authorized service provider for official support.

---

Document generated by [ManualsFile](#)