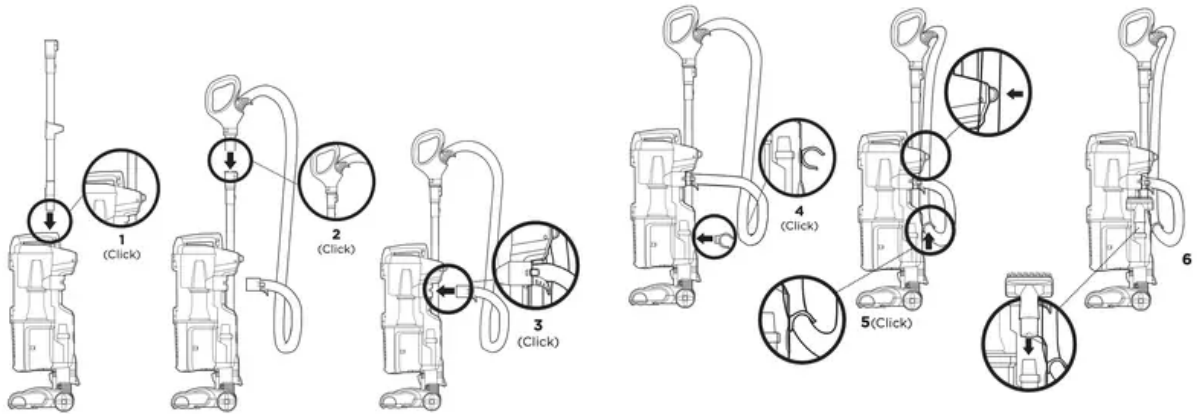


## ASSEMBLY



1. Insert the **Wand** into the **Pod**.
2. Insert the **Handle** into the top of the wand.
3. Connect the **Hose** to the back of the pod.
4. Insert the **C-clip** into the back of the pod.
5. Insert the hose into the C-clip and the hose holder.
6. Store **Accessories** on the **Tool Storage Posts**.

For proper operation, ensure all parts are firmly clicked into place.

### POWER CORD

#### UPPER CORD HOOK

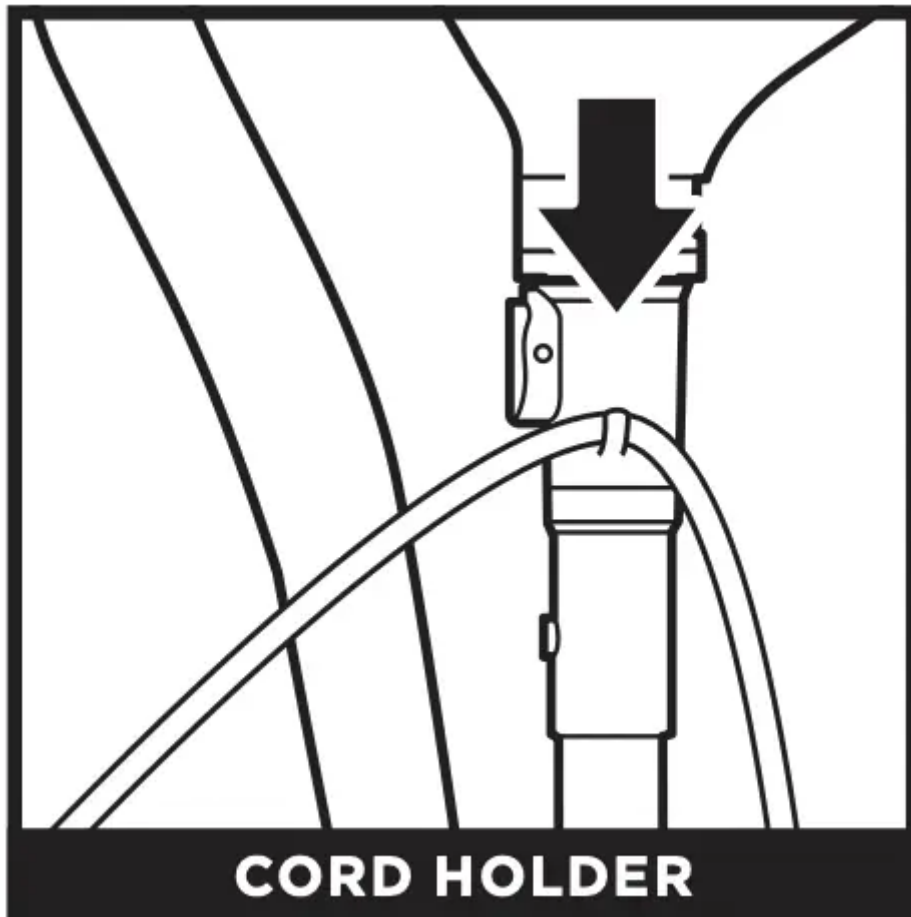
For cord access, rotate upper hook down and remove cord.



**CORD HOLDER**

Use cord holder on the side of wand to hold cord in place while vacuuming.

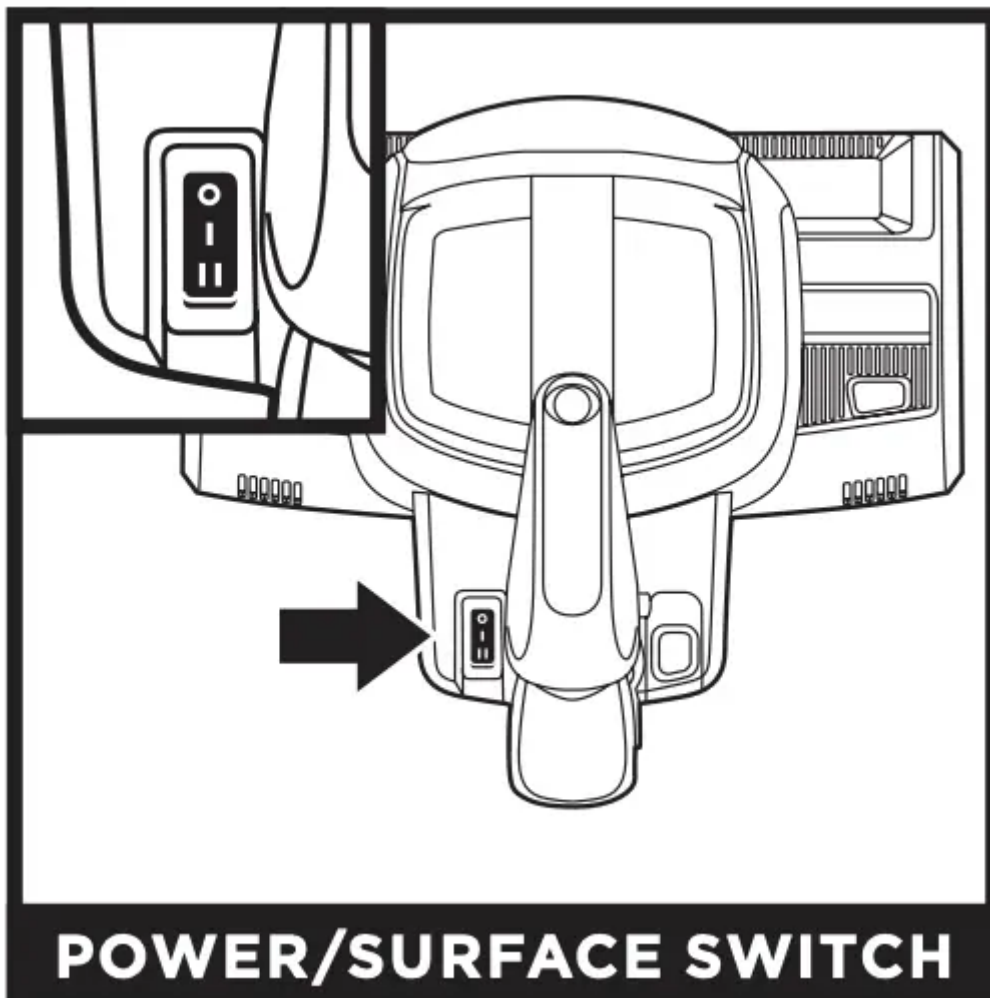




## WHOLE-HOME CLEANING

SETTINGS

POWER/SURFACE SWITCH



Select surface setting:

**O Off**

**I Hard Floor**

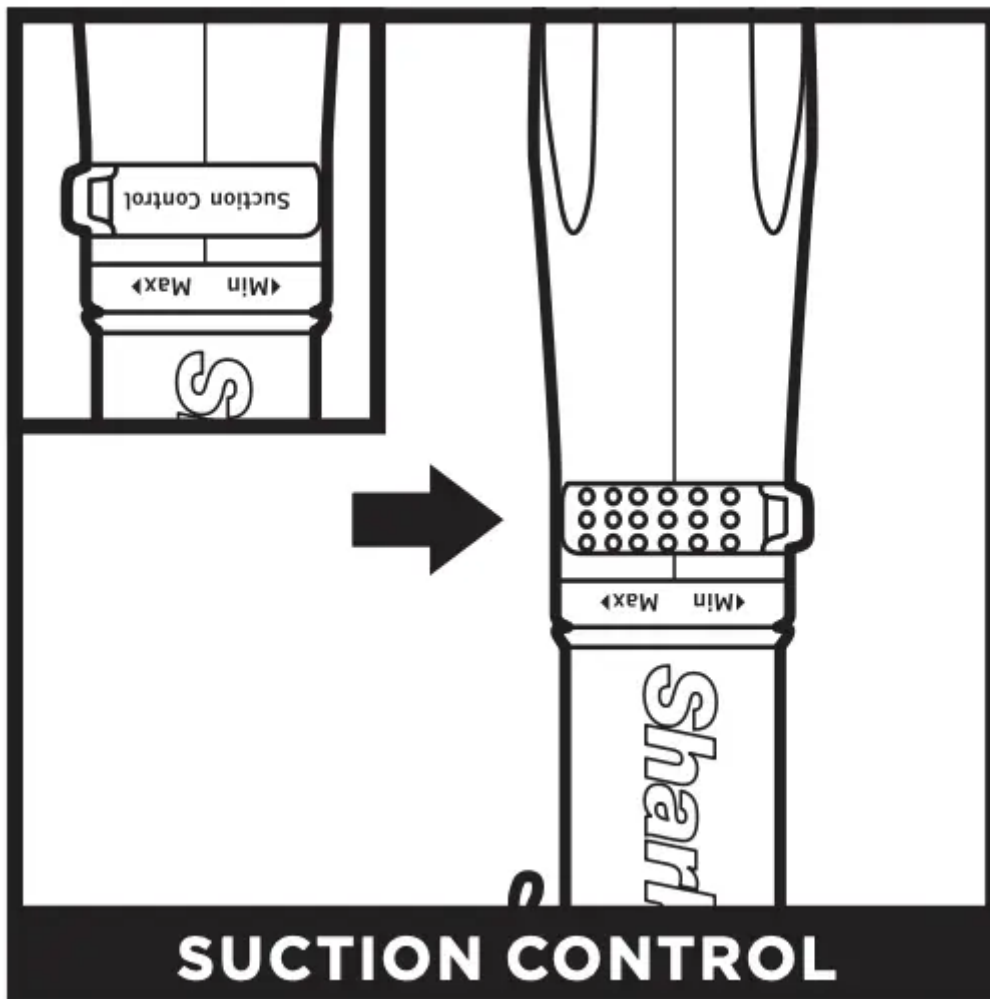
For bare floors and area rugs. The brushrolls will spin slowly in this mode.

**II Carpet**

For carpets. The brushrolls spin quickly in this mode.

To engage the brushrolls, turn on the power, step on the floor nozzle, and tilt the handle back.

**SUCTION CONTROL**



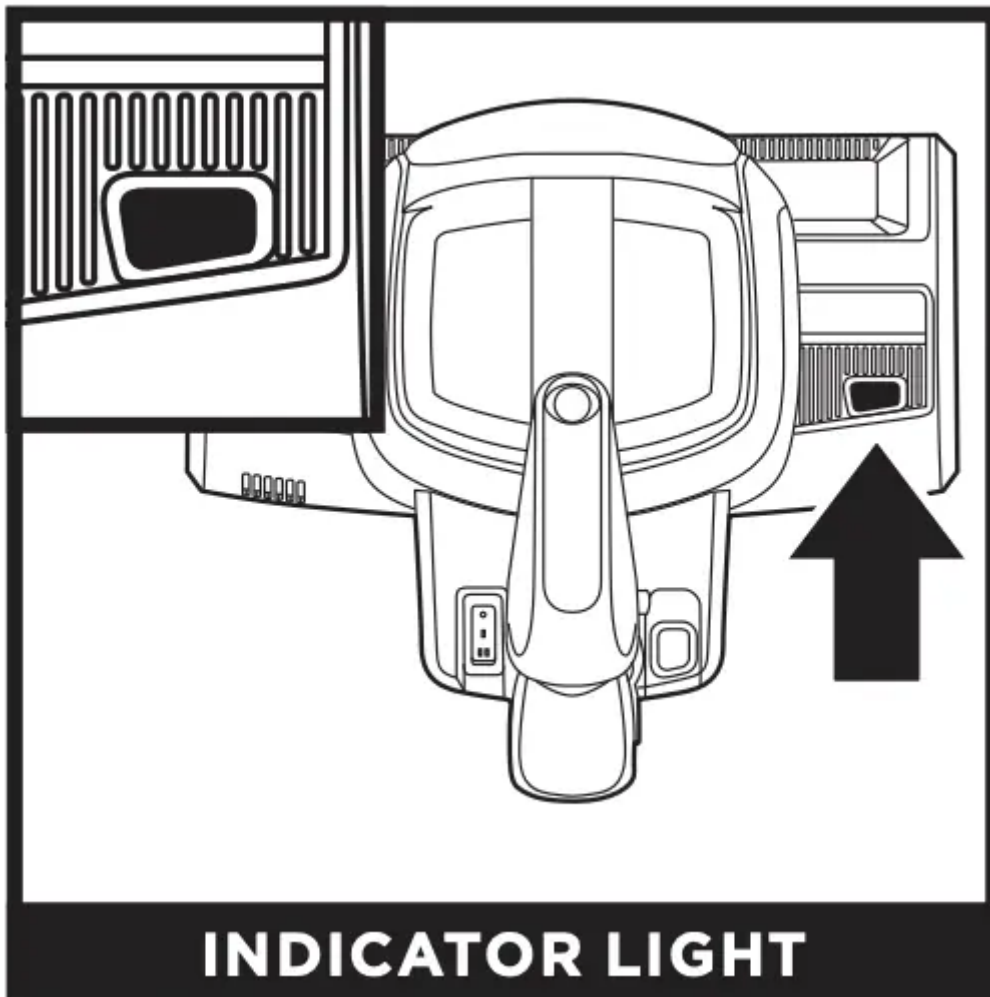
The **Suction Control Slider** located on the handle allows you to adjust the suction depending on the floor type.

**MIN:** to reduce suction and increase maneuverability on carpets.

**MAX:** to increase suction on bare floors.

## **BRUSHROLL INDICATOR LIGHT**

**WHAT DOES THE BRUSHROLL INDICATOR LIGHT MEAN?**



**Solid Green:** The brushroll is spinning and working as intended.

**Solid Red:** There is a jam in the brushroll area. Turn off and unplug the vacuum and remove any blockages in the nozzle.

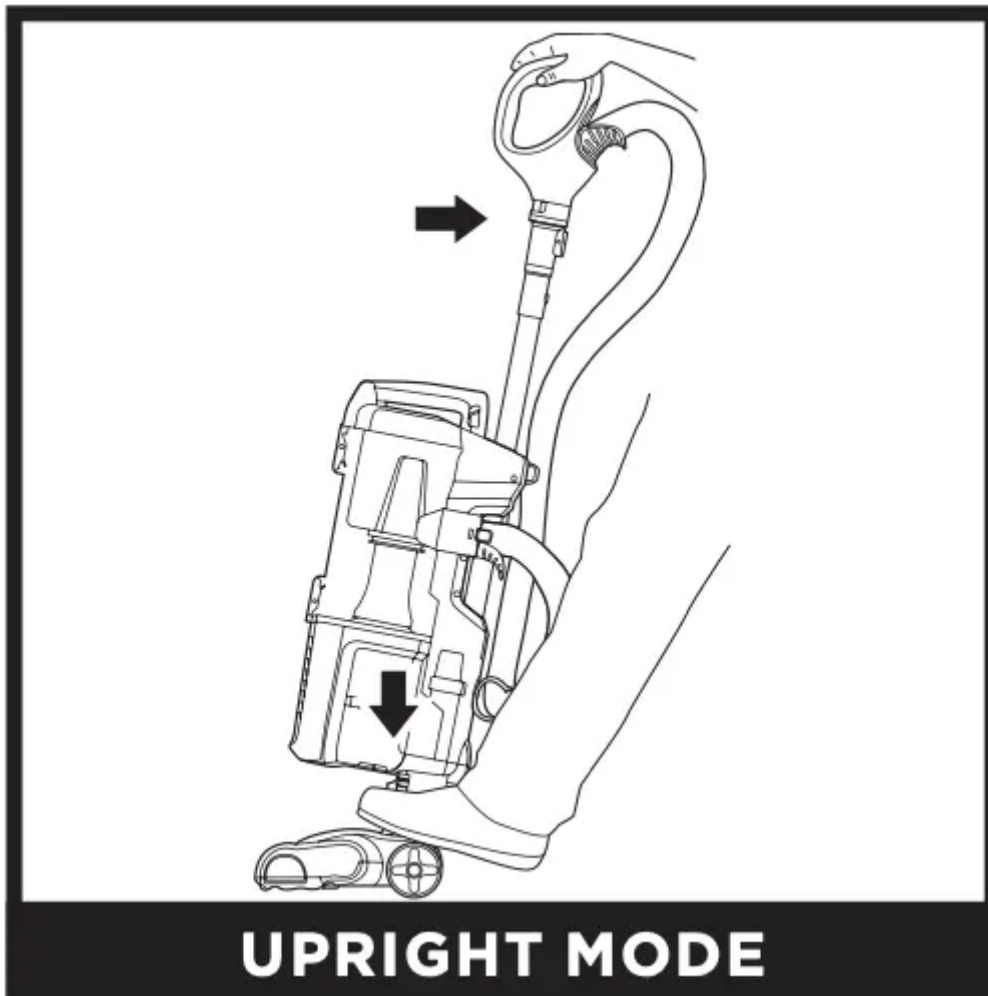
**Flashing Red:** The motorized floor nozzle is overheating. Turn the vacuum off and wait a minimum of 60 minutes for the unit to cool down. See Troubleshooting section for more information.

**NOTE:** For deep carpet cleaning per ASTM F608 (embedded dirt in carpets), set to **MAX** suction and use setting **II, Carpet**.

## CLEANING MODES

### UPRIGHT MODE

To engage **Brushroll**, step on floor nozzle and tilt handle back firmly.



**ABOVE-FLOOR—HANDLE**

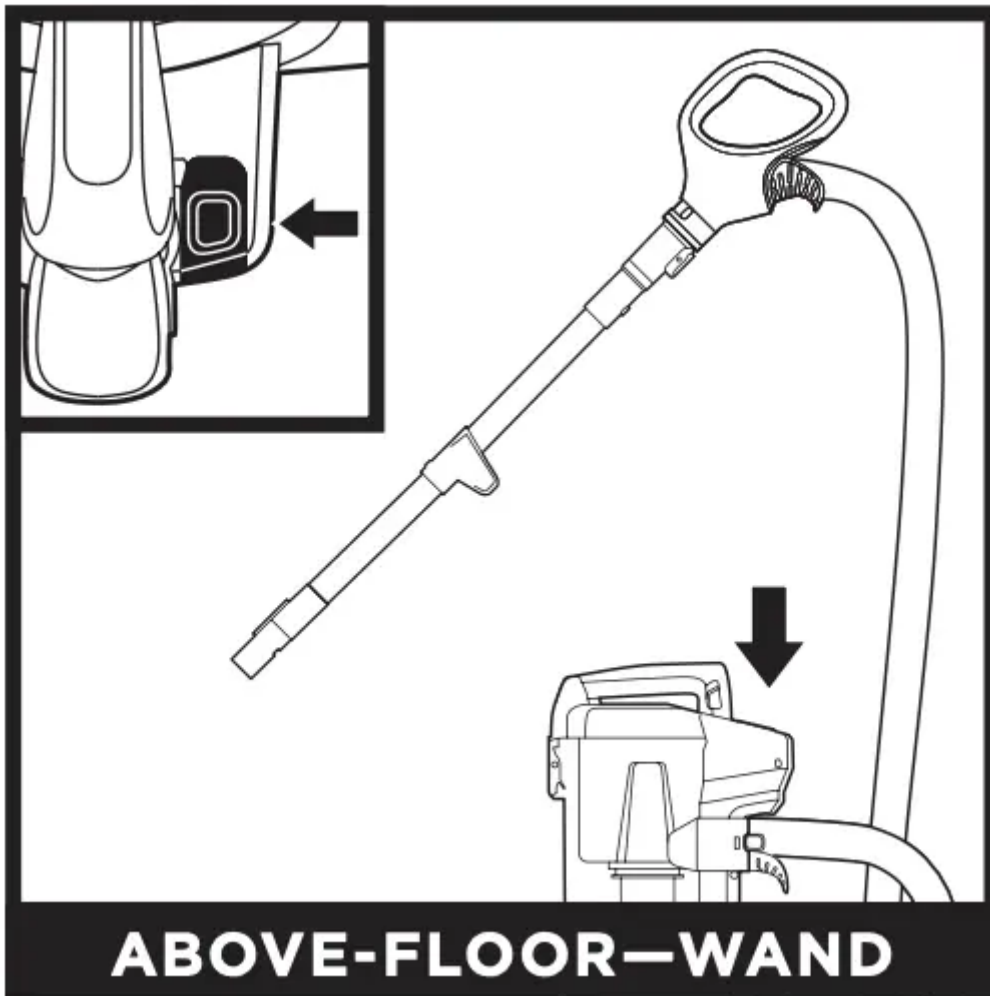
Press the Handle Release button and pull up on the handle to detach it from the wand.



**ABOVE-FLOOR—WAND**

Press the Wand Release button and pull up on the wand to detach it from the pod.





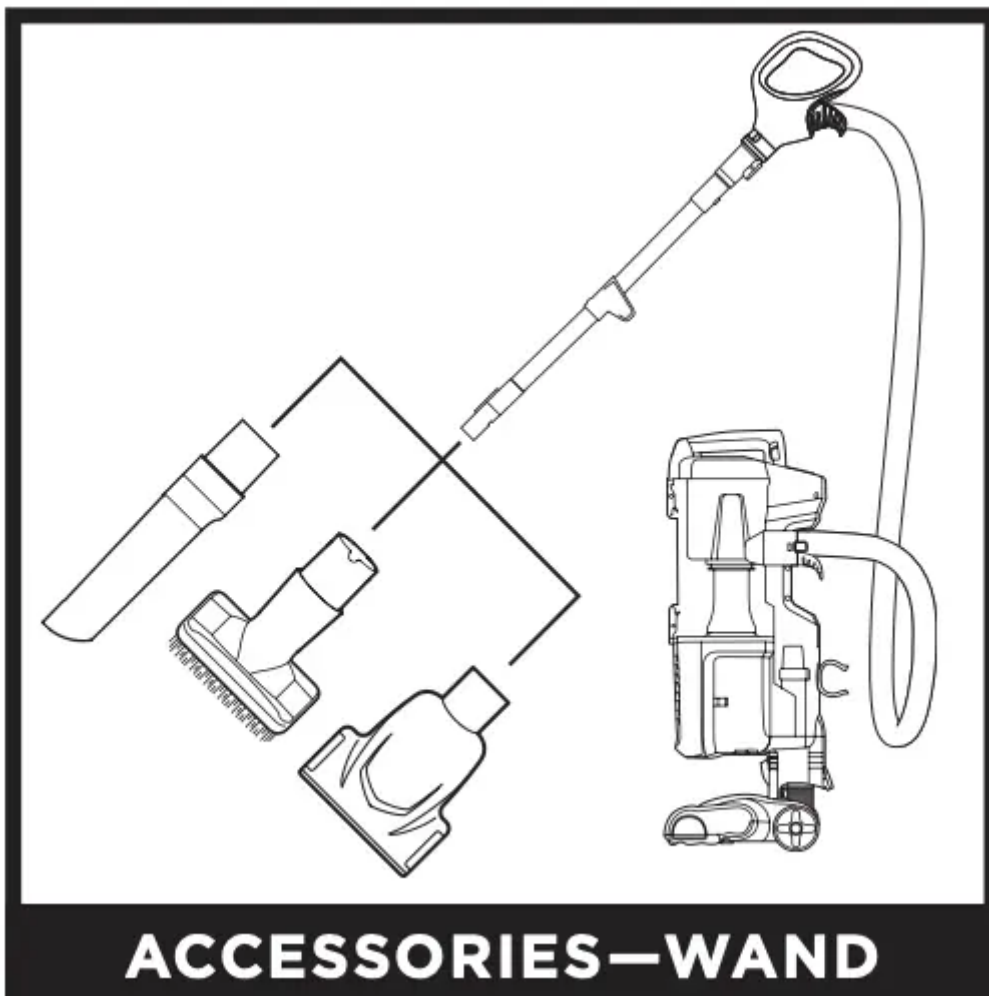
#### ACCESSORIES—HANDLE

Attach a cleaning accessory to handle or wand.



**ACCESSORIES—WAND**

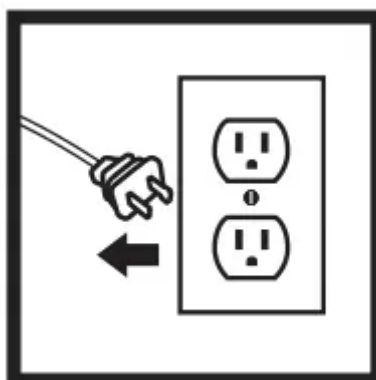




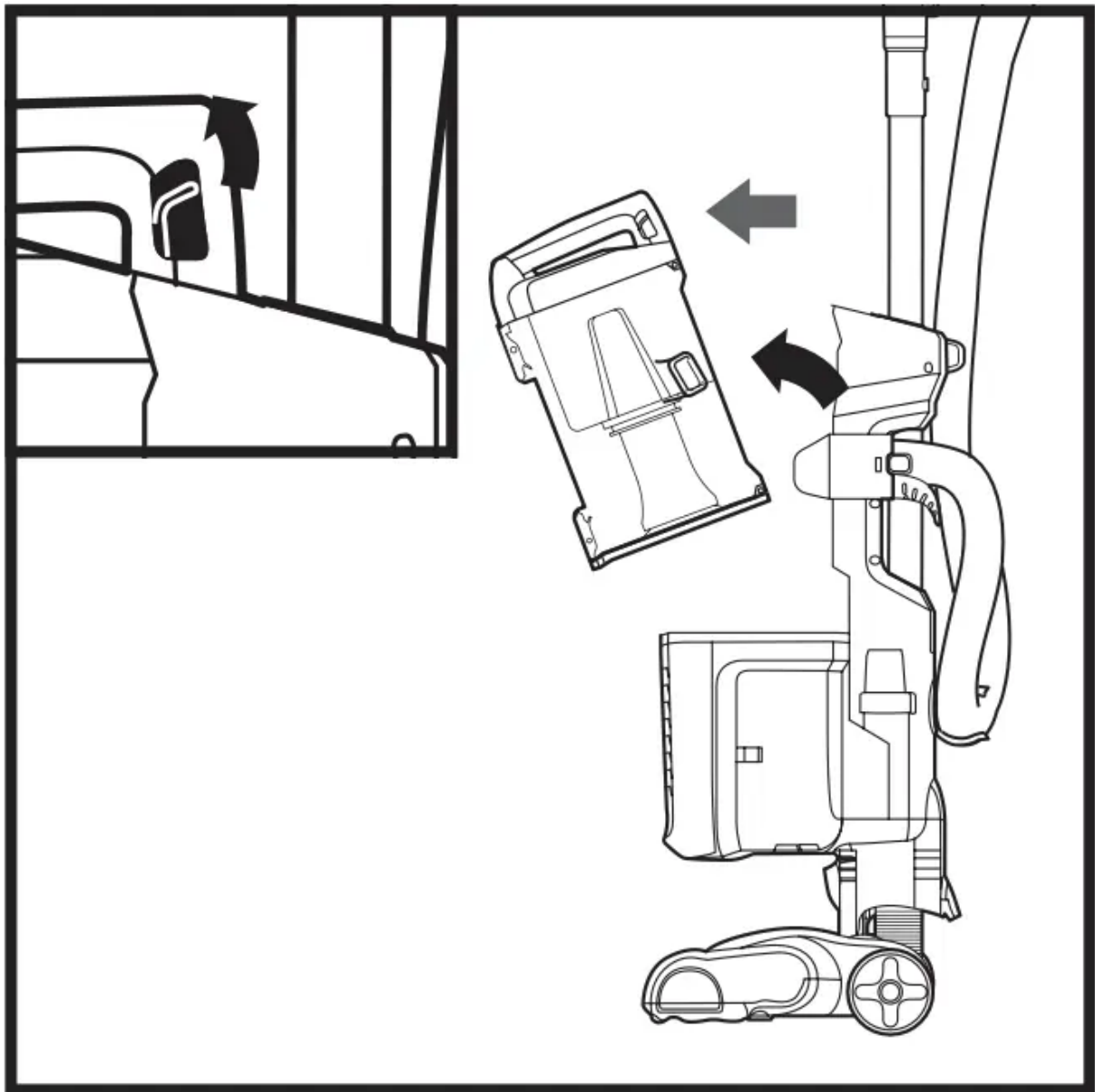
**NOTE:** All accessories are compatible with both the wand and the handle.

## EMPTYING THE DUST CUP

**IMPORTANT:** Unplug the power cord before performing any maintenance. Empty the dust cup each time you vacuum and periodically during cleaning, when debris in the dust cup reaches the MAX fill line.



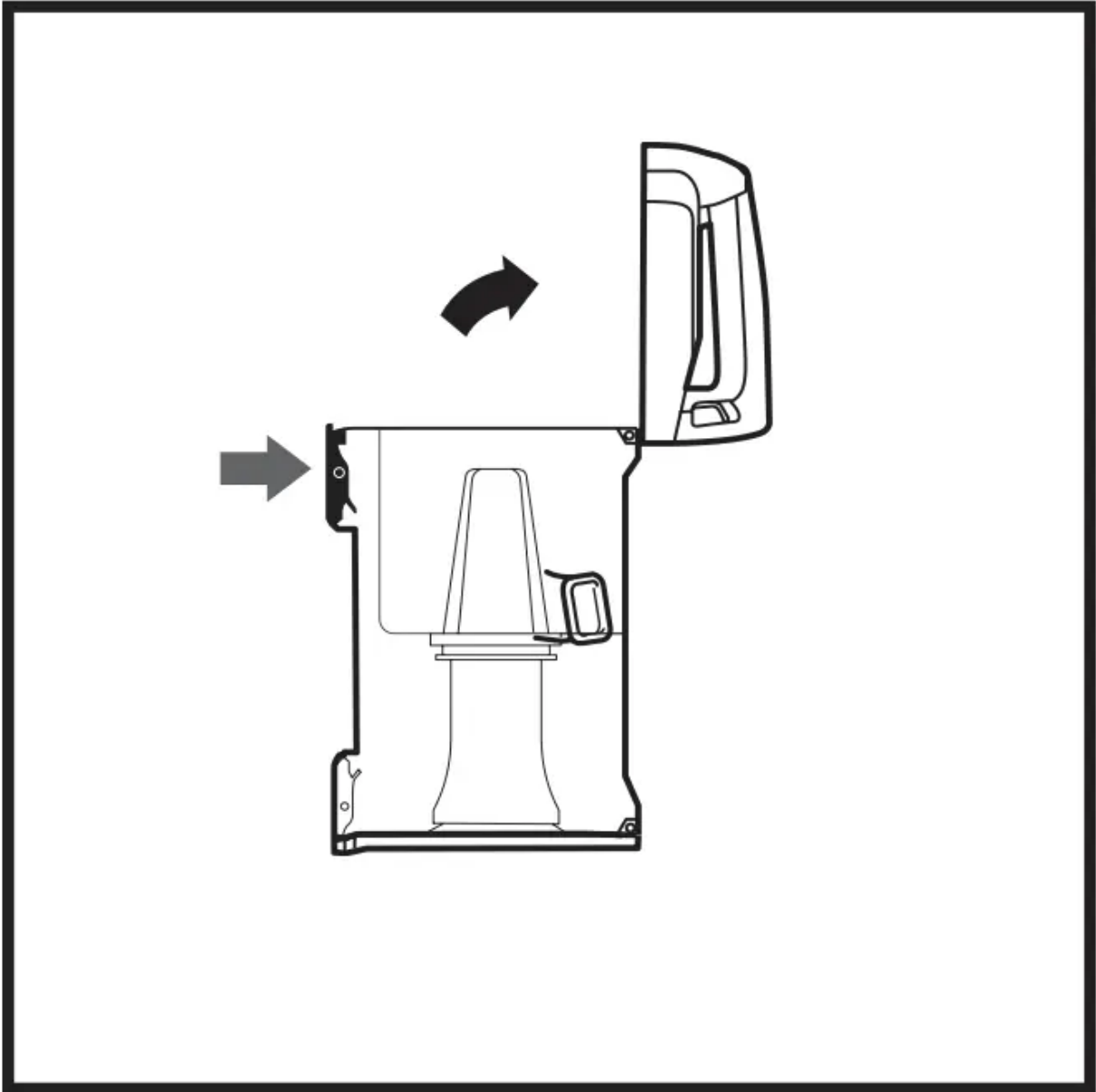
To remove **Dust Cup**, slide up the release button on the dust cup handle. Tilt dust cup forward, then lift to remove.



Press the release button to open bottom of dust cup.

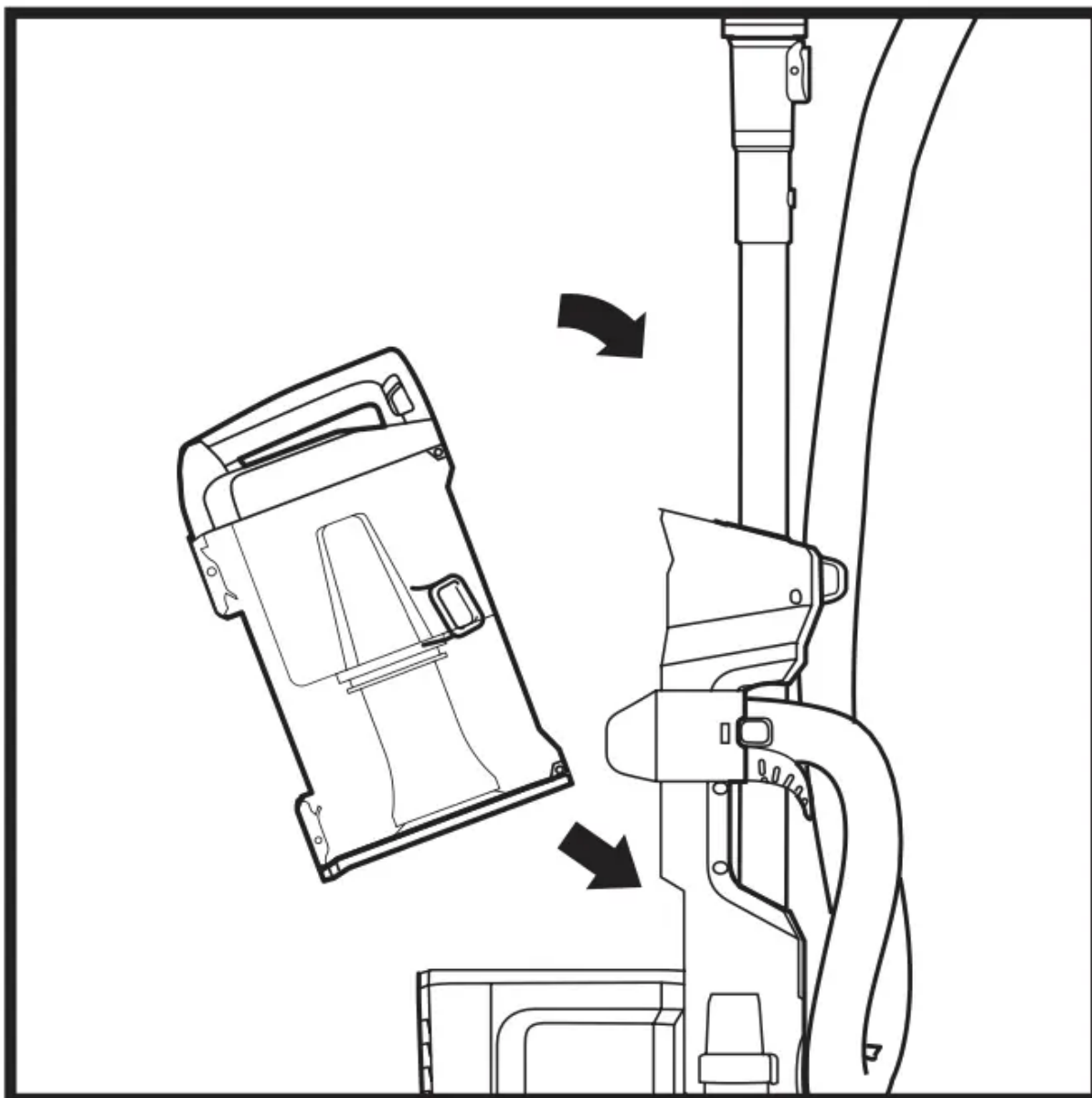


To remove collected debris from **Lint Screen**, press the top release button and lift the handle to open the dust cup. Gently brush lint screen to clean.



To reinstall, place the bottom of dust cup onto the pod and then tilt until it clicks into place.





## CLEANING AND REPLACING THE FILTERS

### CLEANING FILTERS

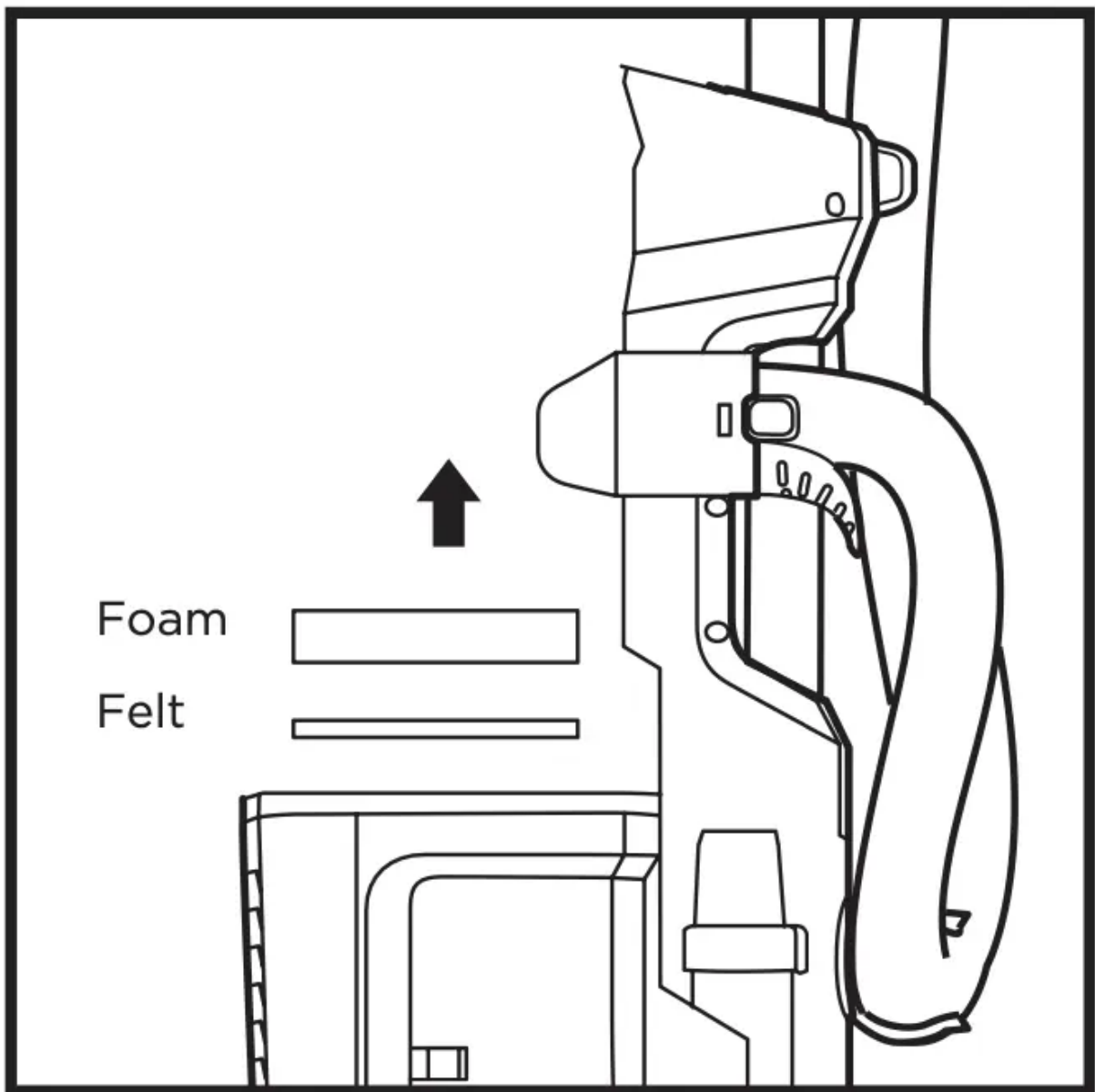
**Regularly rinse and replace the filters to maintain your vacuum's suction power.**

To prevent damage from cleaning chemicals, rinse filters with cold water only. Allow all filters to air-dry for at least 24 hours before reinstalling them to prevent liquid from being drawn into electronic parts.

**IMPORTANT: DO NOT** use soap when cleaning the filters.

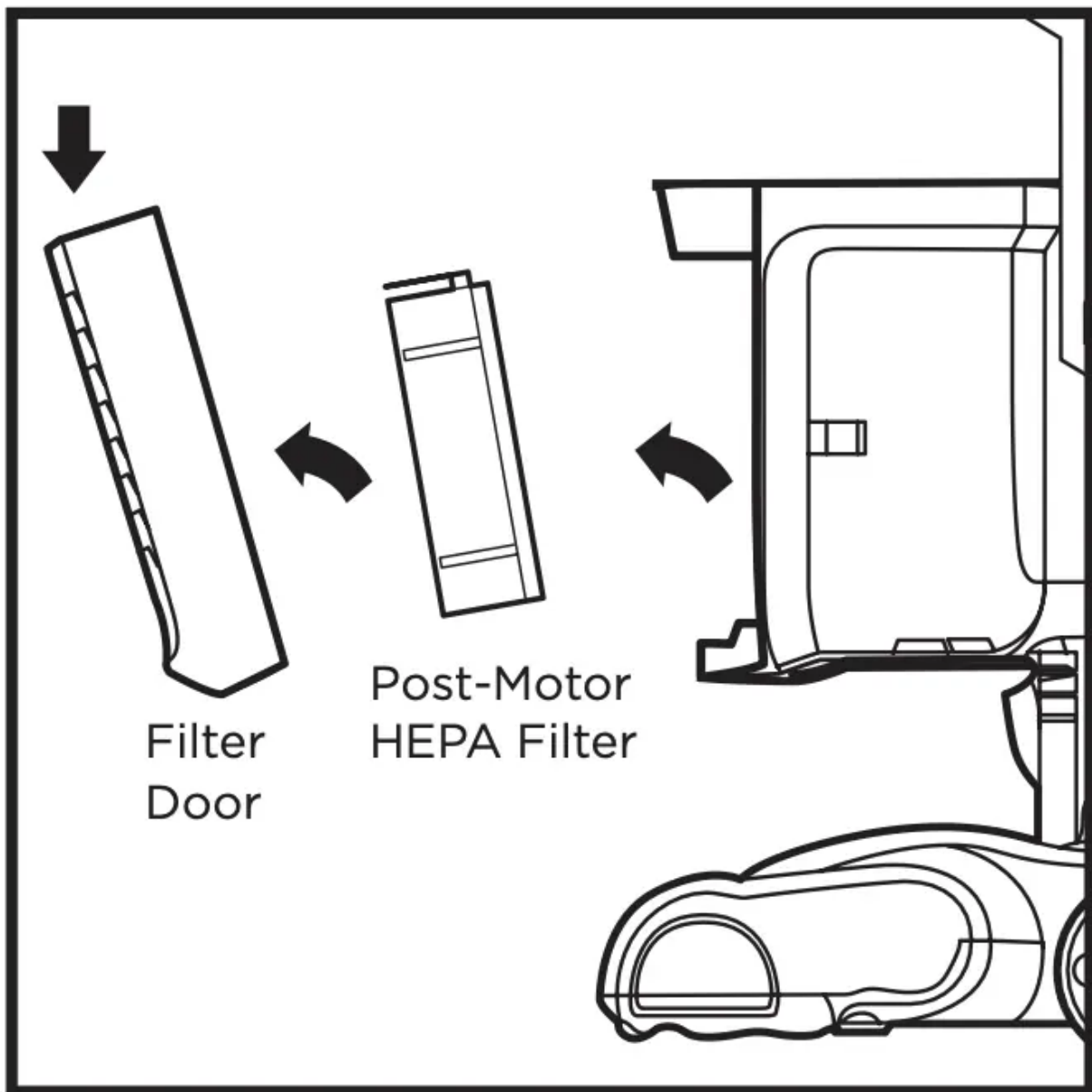
RINSE PRE-MOTOR FILTERS EVERY MONTH

Remove **Dust Cup**, then lift out **Filters**.



#### RINSE HEPA FILTER EVERY YEAR

Remove dust cup, tilt **Filter Door** and firmly pull it off. Press tab at top of **HEPA Filter** and pull out filter. To reinstall, insert HEPA filter into unit and replace the filter door.

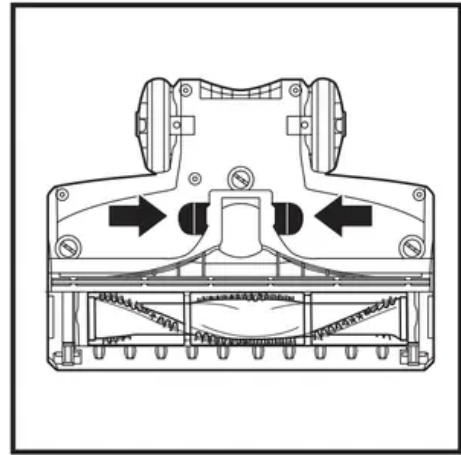
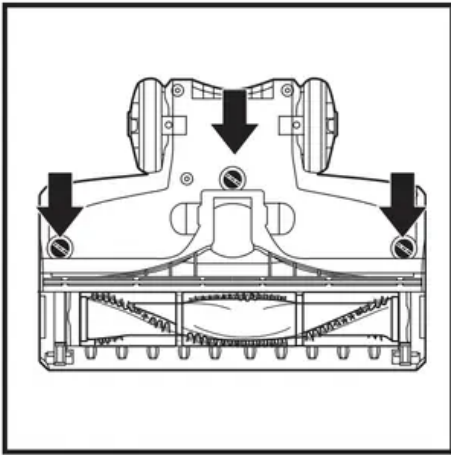


**NOTE:** The pre-motor filters should be replaced every 2.5 years. The post-motor filter should be replaced every 3 years.

## MAINTENANCE

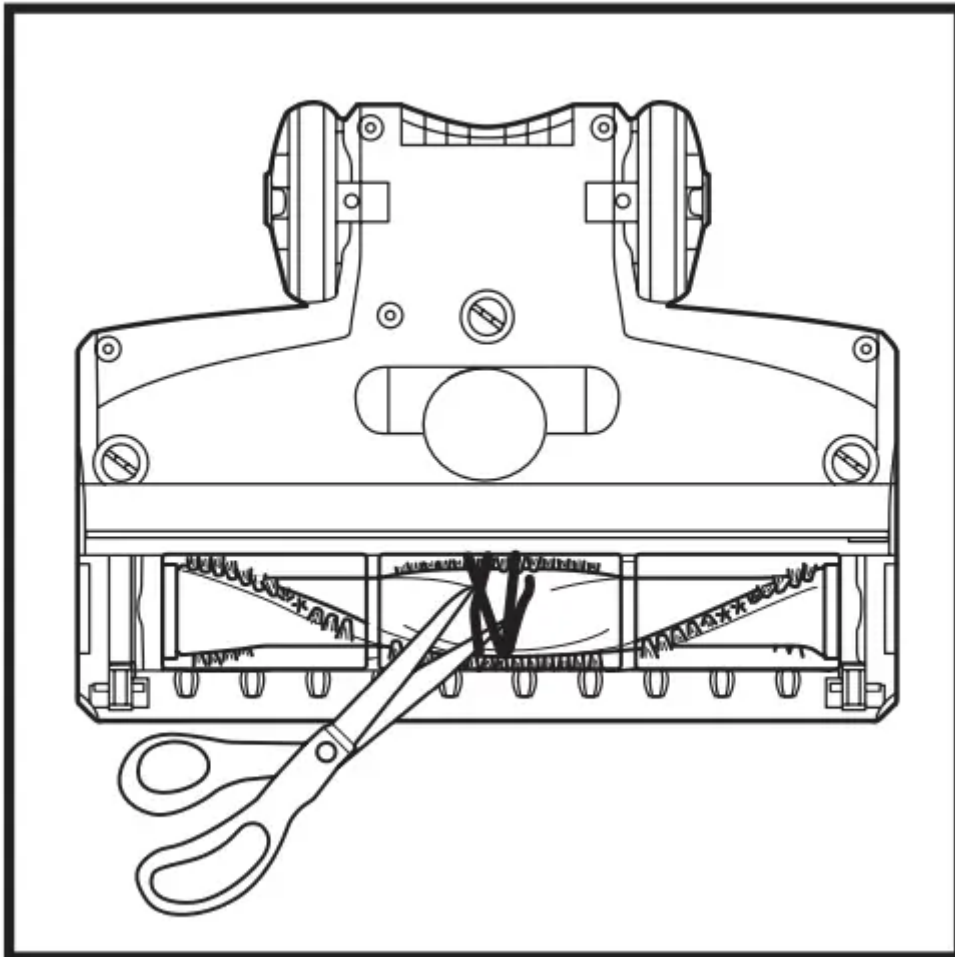
### CLEANING THE BRUSHROLL

Using a coin, turn locks counterclockwise, then lift the cover to access brushroll.



### DEBRIS WRAPPED AROUND BRUSHROLL

Clean off any debris on the bristles.

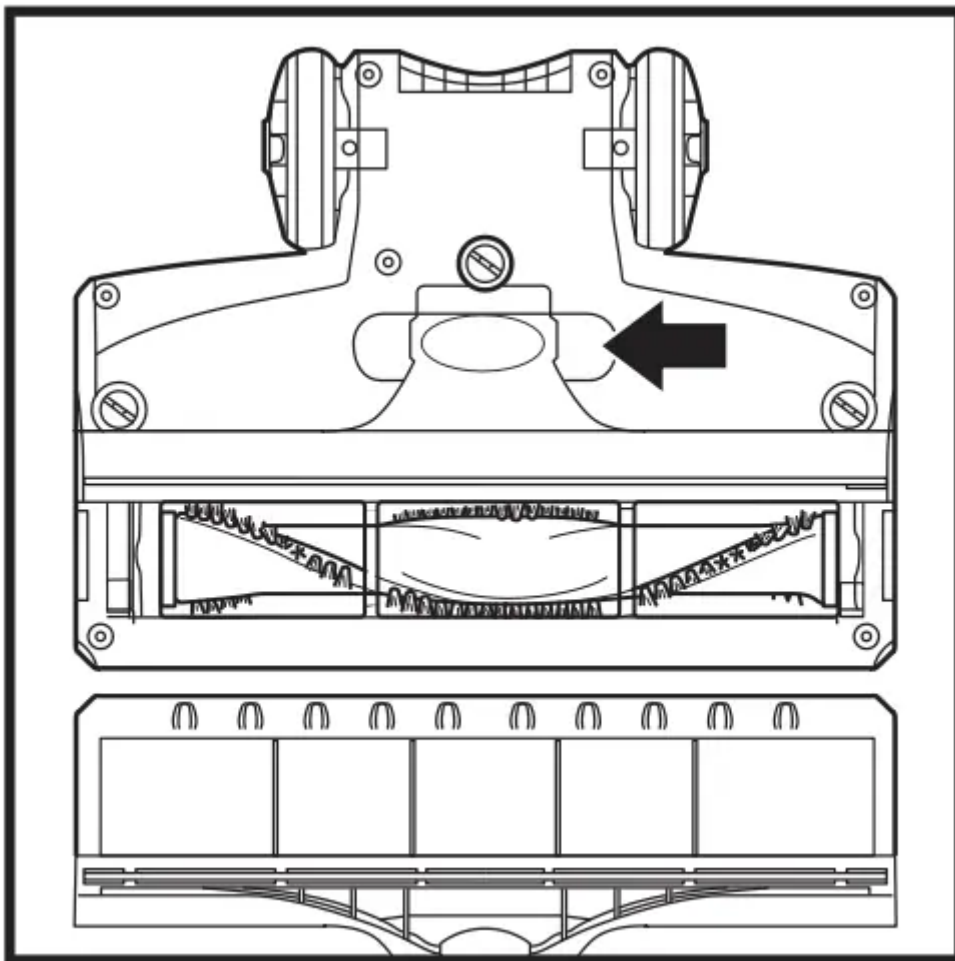


### DEBRIS BEHIND BRUSHROLL

If you run over a hard or sharp object or notice a noise change while vacuuming, check for blockages or objects caught behind the brushroll.

Clear away any dust, dirt, or blockages in **Debris Intake**.

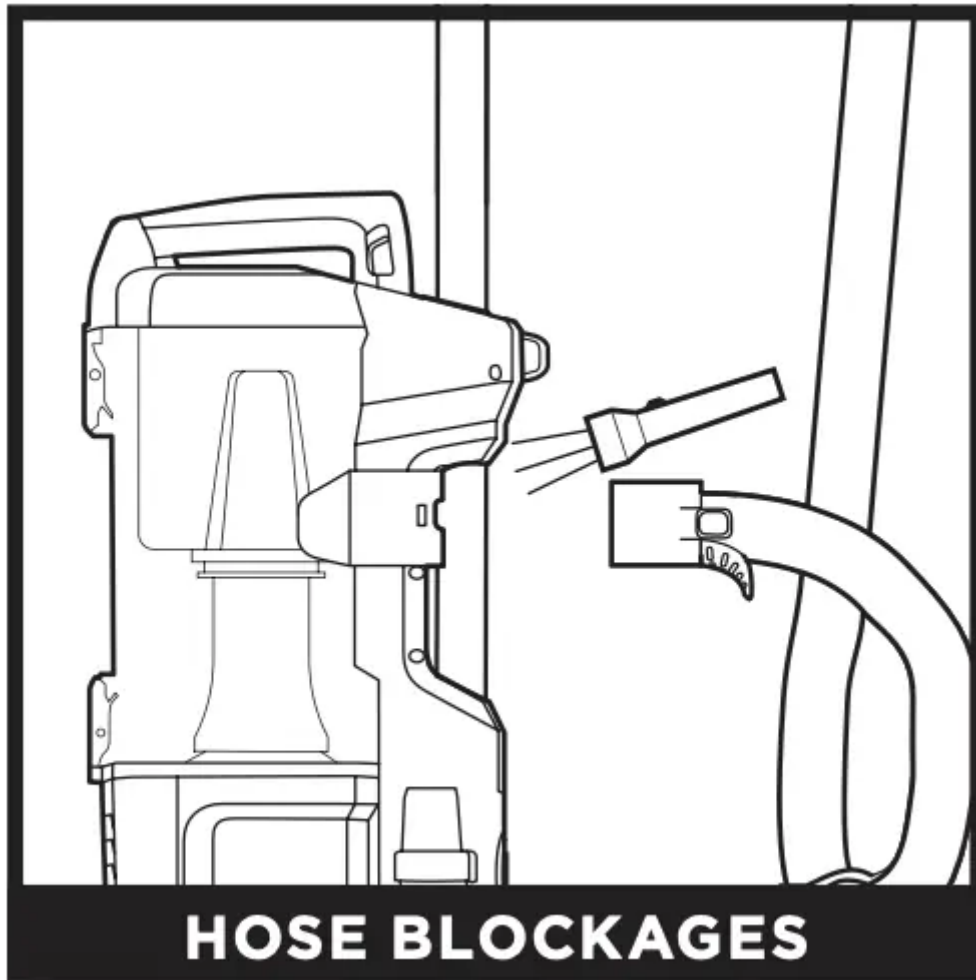
To close the cover, push down until it clicks into place. Close the locks by using a coin to turn them clockwise.



## CHECKING FOR BLOCKAGES

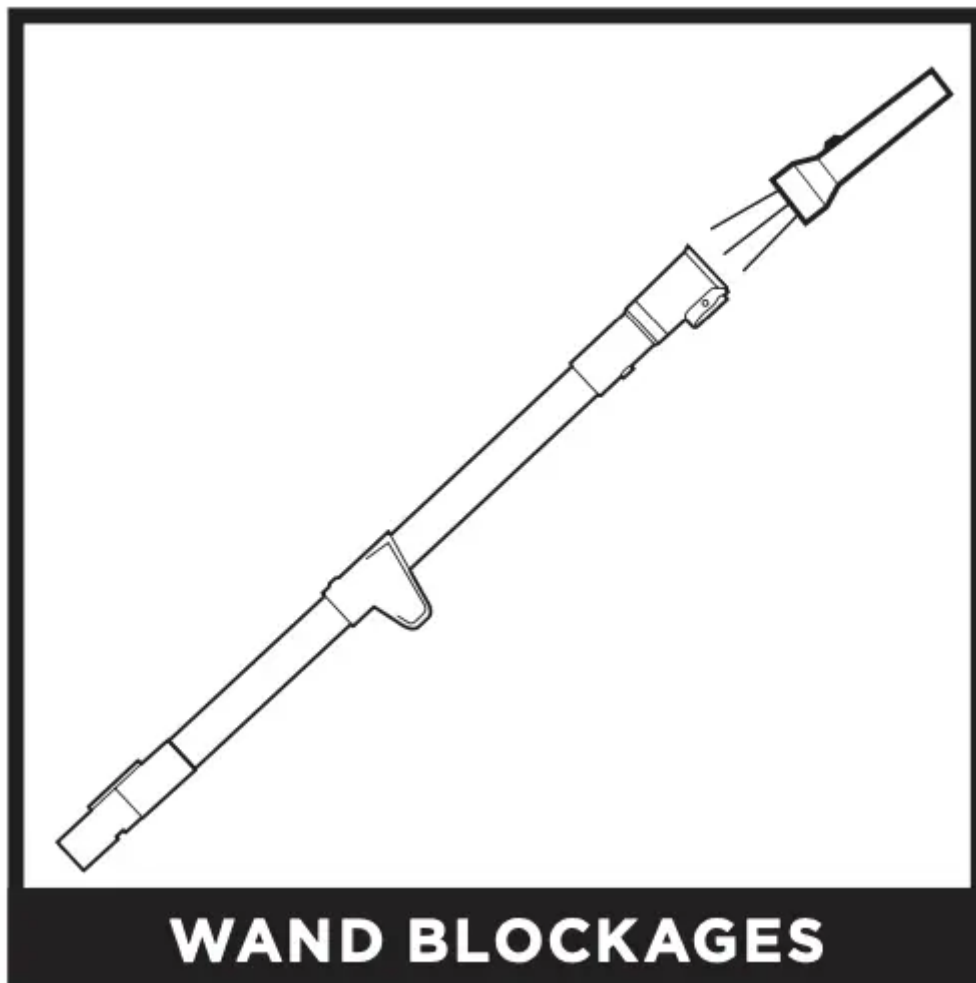
### HOSE BLOCKAGES

Detach hose from vacuum pod, and check hose and opening on back of pod for blockages.



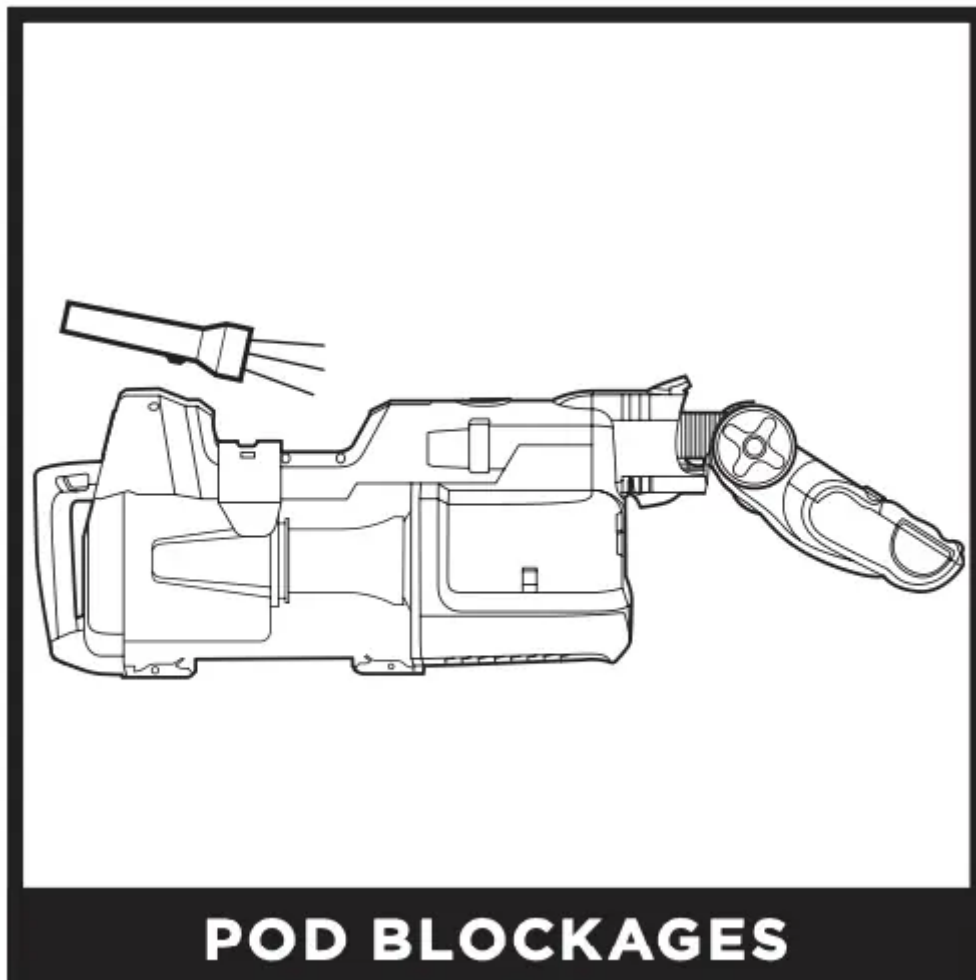
### **WAND BLOCKAGES**

Detach wand from pod and handle, and check both ends for blockages.



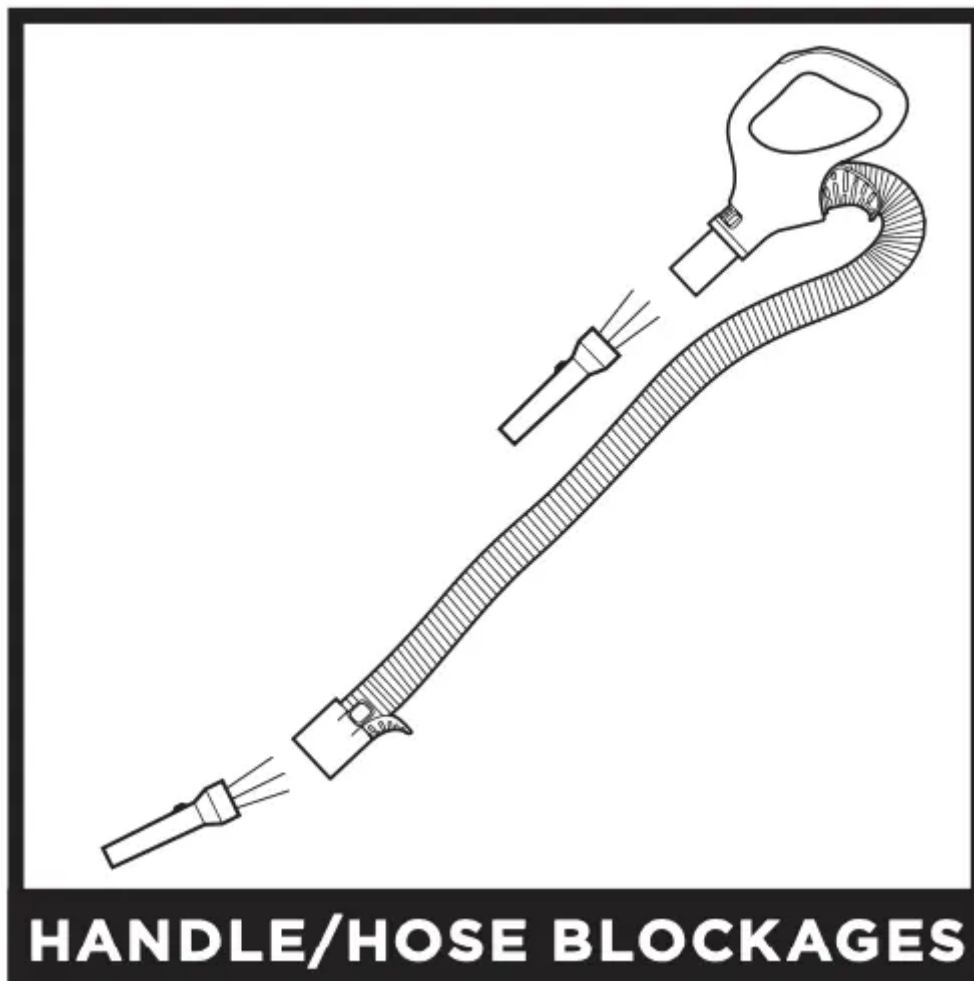
### **POD BLOCKAGES**

Detach wand from pod, and check opening for blockages.



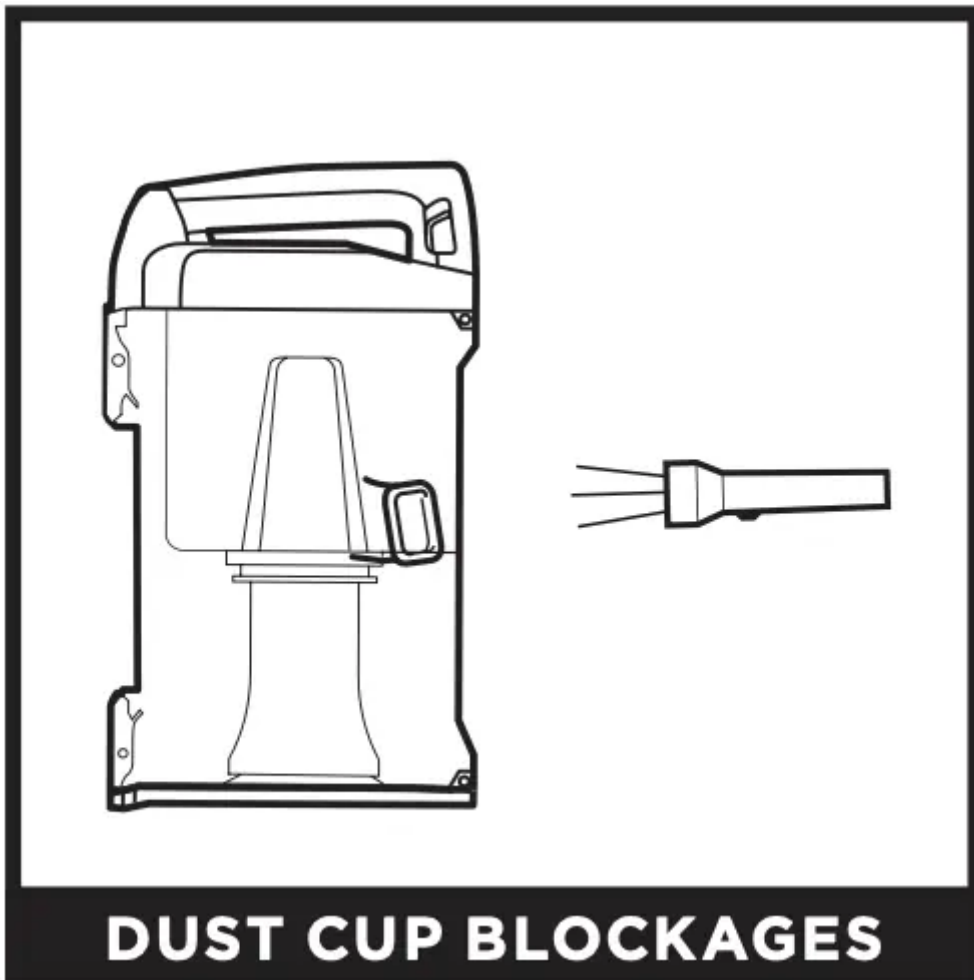
### **HANDLE/HOSE BLOCKAGES**

Detach handle from wand and hose from the vacuum pod, and check openings for blockages.



### DUST CUP BLOCKAGES

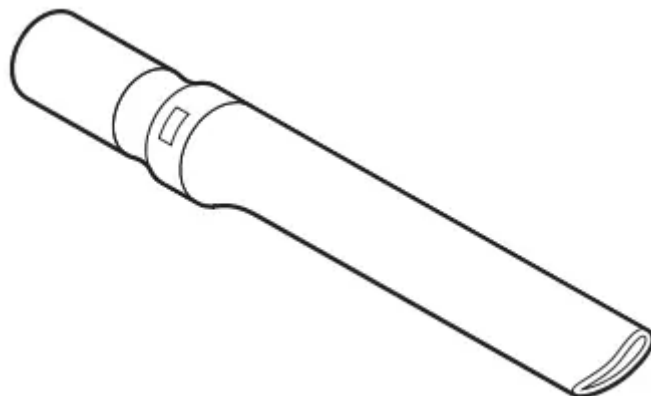
Detach dust cup from vacuum pod. Empty dust cup, remove debris from lint screen, and check for blockages.



## AVAILABLE ACCESSORIES

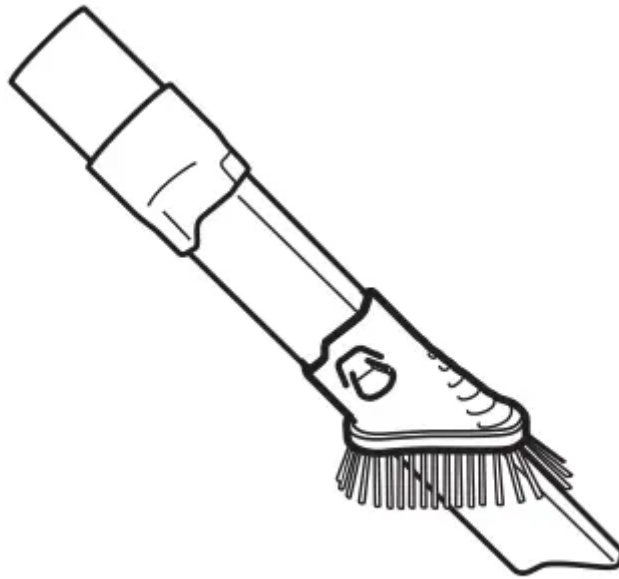
### A Crevice Tool

This slender tool offers extended reach to access corners, baseboards, tight spaces, and ceilings.



### B Duster Crevice Tool

Two cleaning tools in one. The crevice tool gives you extended reach to clean in tight spaces, while the soft brush is ideal for dusting delicate surfaces.



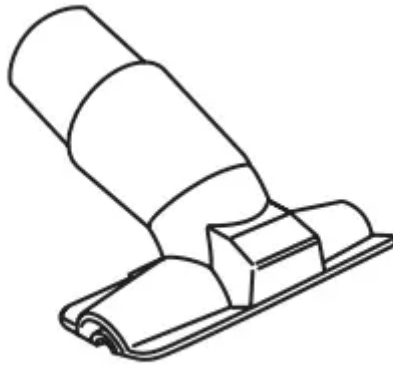
### **C Dusting Brush**

This brush dusts and cleans delicate surfaces. Great for use on fans, blinds, lampshades, and keyboards.



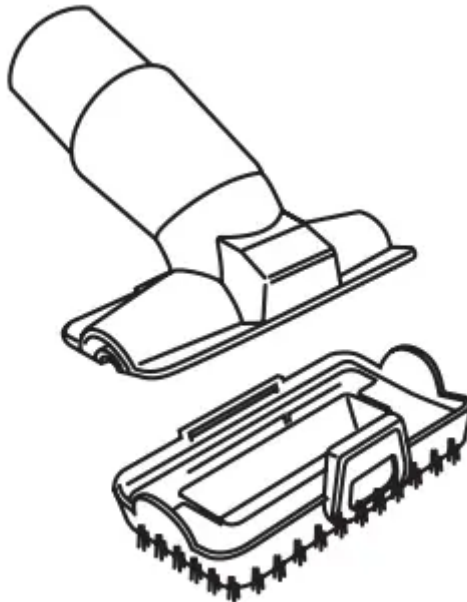
### **D Upholstery Tool**

Picks up hair, dust, and large debris from mattresses, couches, curtains, lampshades, and other delicate upholstered fabrics.



### **E Pet Multi-Tool**

A single convertible tool for cleaning tough pet messes two ways: use the stiff bristle brush to clean stuck-on debris, or take off the bristles to reveal an upholstery tool perfect for removing stubborn pet hair and large piles of debris.



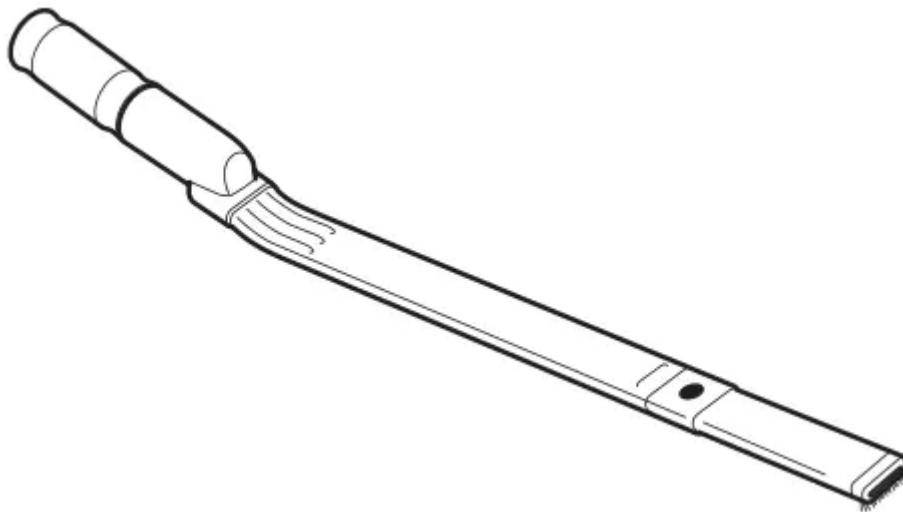
### **F Pet Power Brush**

The turbine brush loosens and removes pet hair and debris from carpets, and powerfully deep-cleans dander out of upholstery and other surfaces.



### **G Under-Appliance Wand**

Clean under and behind hard-to-move appliances and furniture with this adjustable 36" tool. Flip the extension piece over to clean the underside of appliances.



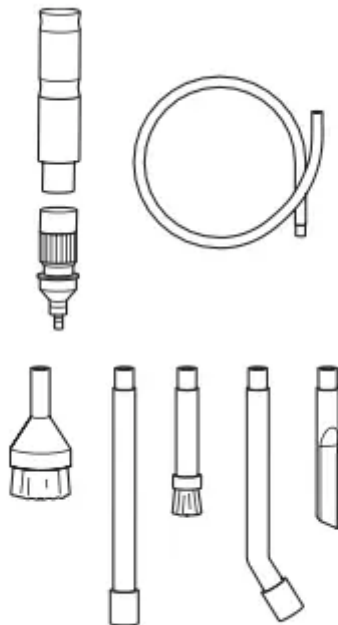
### **H Anti-Allergen Dust Brush**

This brush features nylon fiber bristles specifically designed for removing fine dust and allergen particles from the most delicate surfaces.



### I Home & Car Detail Kit

Deep-clean your car like a professional detailer, or clean hard-to-reach areas in your home. Micro-sized tools let you clean around delicate objects and access the tightest spaces like car vents and computer keyboards.



### J Accessory Bag

This convenient accessory storage bag measures 32 cm x 70 cm and fits the UnderAppliance Wand.



## TROUBLESHOOTING

### **Vacuum is not picking up debris. No suction or light suction.**

- Check filters to see if they need cleaning. Follow instructions for rinsing and air-drying the filters before reinstalling them.
- Dust cup may be full; empty dust cup.
- Check hose, hose connections, nozzle, wand, pod, and accessories for blockages. Clear any blockages found.
- If any string, hair, or carpet fibers are wrapped around the brushroll, remove the floor nozzle cover and use scissors to carefully cut away debris. See Cleaning the Brushroll section for more information.

### **Vacuum lifts area rugs.**

- Make sure Power/Surface switch is set to Hard Floor (setting I).
- Rotate suction control slider to MIN.
- Suction is powerful. Take care when vacuuming area rugs or rugs with delicately sewn edges.

### **Brushroll does not spin.**

- If the Brushroll Indicator Light turns red, immediately turn off and unplug the vacuum. Lay the unit down and turn over so the brushroll is facing up. Using a coin, turn the 3 locks on the bottom of the nozzle to access the brushroll. Remove any hair or blockages from the nozzle. Reinstall the brushroll cover and turn all 3 locks back to the locked position.
- With the power on, recline the handle, which will automatically turn on the brushroll.

### **Vacuum turns off on its own or indicator light flashes red.**

If your vacuum overheats, the thermostat will automatically turn the suction motor off. Perform the following steps to restart:

1. Turn vacuum off and unplug it.
2. Empty dust cup and clean filters (see Emptying the Dust Cup and Cleaning and Replacing the Filters).
3. Check for blockages in hose, accessories, wand, nozzle, and inlet openings.
4. Allow unit to cool for a minimum of 60 minutes.
5. Plug in vacuum and restart with the Power/Surface switch.

**Warning**

This content is compiled from multiple sources and is provided for reference purposes only. It may not be complete or fully applicable to all situations. If you are unable to resolve your issue, please contact the product manufacturer or an authorized service provider for official support.

