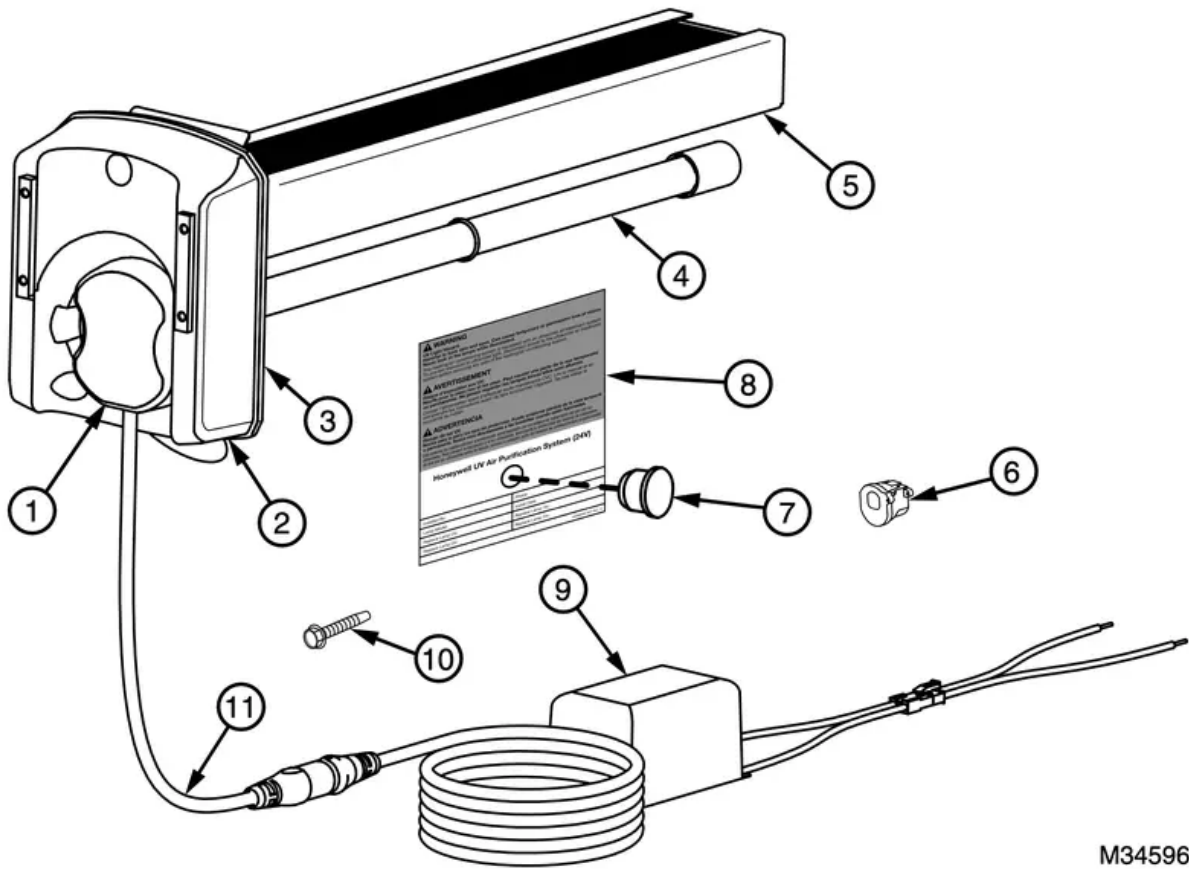


Parts Included



M34596

1. UV lamp handle
2. Base
3. Foam Gasket
4. 16W UV lamp
5. AirBRIGHT™ Odor Absorber (included in UV2400U5000 only)
6. Bushing
7. Sight Glass
8. Warning sticker
9. 24 VAC Ballast
10. Self Tapping Screws (3)
11. Power Cord
12. Wire connectors (not pictured)



Typical Mounting Locations

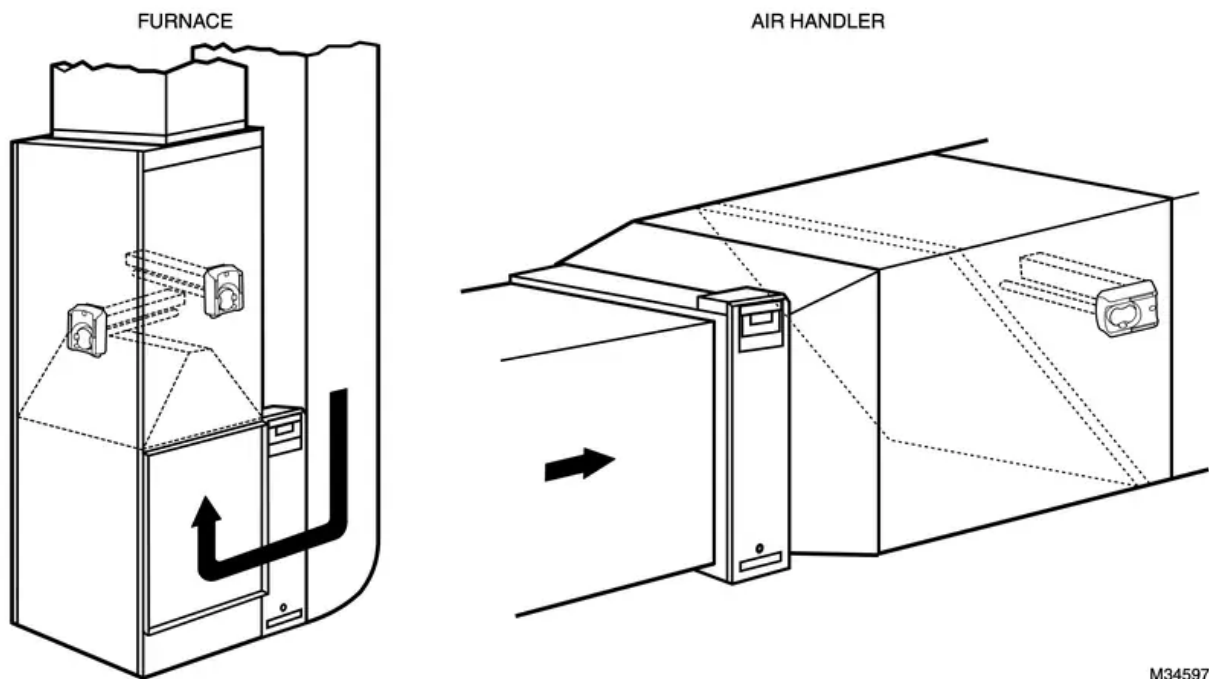
We recommend the UV Air Purifier be installed on the supply side duct 3–5 inches above the A-coil, but it can also be installed on the return side if necessary. See Figures 1 and 2.

The germicidal UV light should be positioned to shine on the surfaces that are prone to mold growth like the A-coil, or be placed in an open area of the return duct where there are long straight runs.

WARNING: Do not mount device in location that allows ultraviolet light to be seen after installation other than by the UV protected lamp handle or sight glass.

Important: Some materials inside the HVAC system (including filter media, flex duct, wiring etc.) may not be UV light resistant. Cover materials affected by UV light with UV shielding or reflective tape.

The AirBRIGHT™ Odor Absorber unit should be oriented so that the air flows past the UV Light first then into the AirBRIGHT Odor Absorber.



M34597

Fig. 1. Supply Side installation. Airflow depicted by arrows.

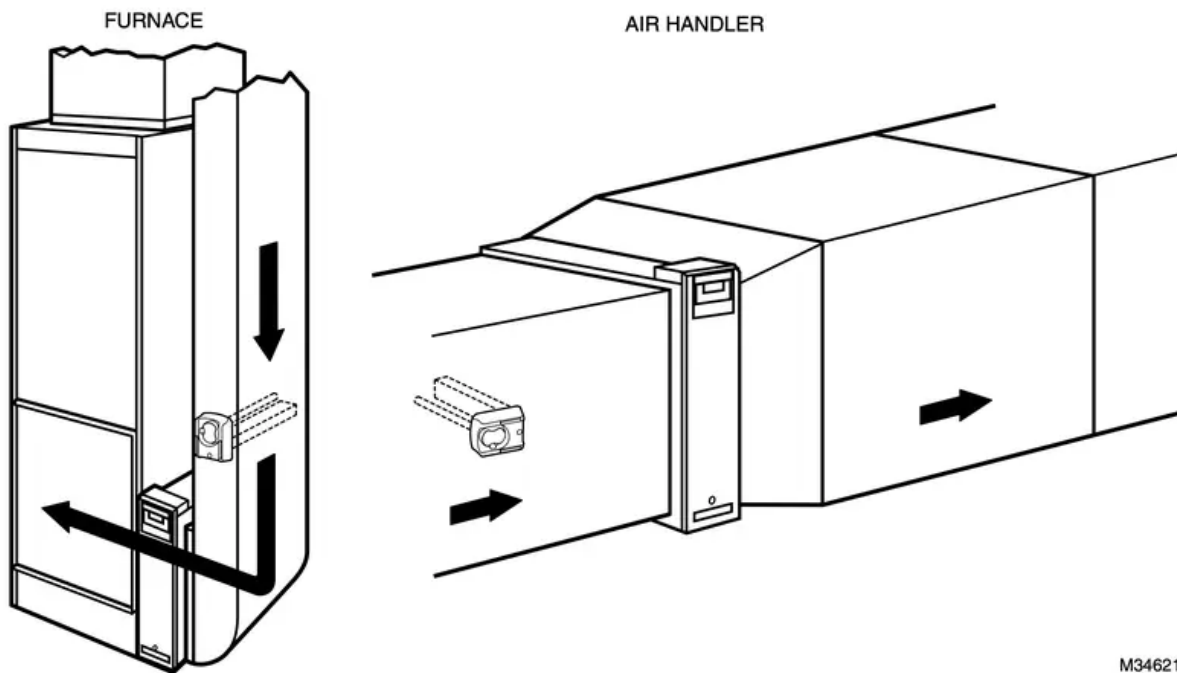


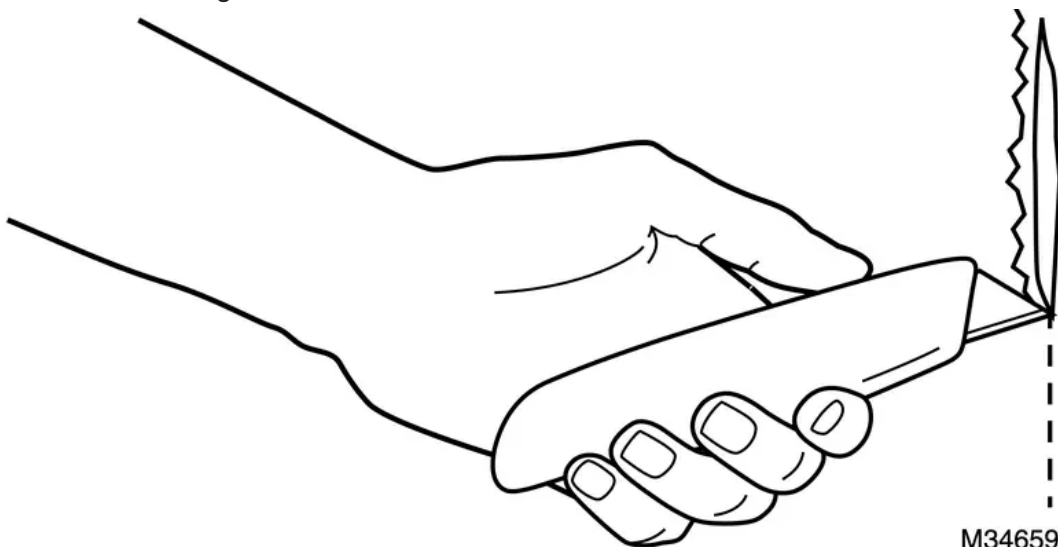
Fig. 2. Return Side installation. Airflow depicted by arrows.

M34621

Internal Mounting

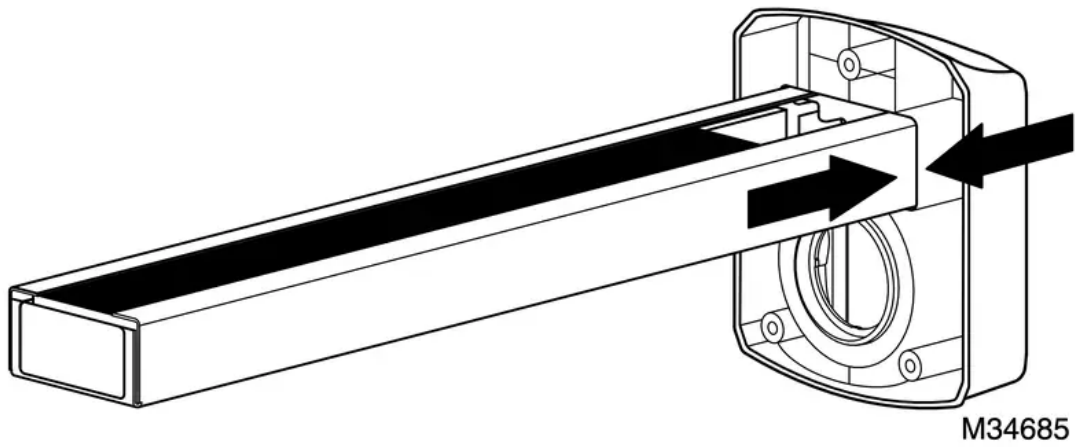
IMPORTANT: Turn off main power source before installation. Model information is printed on the Power Unit cover.

1. Unfasten panel to gain access to mounting location
2. Determine the optimal position for placement of the Air Purifier.
3. If necessary, use a utility knife to cut the insulation on the inside of the duct.
4. Clean surface of glue, dust, etc.

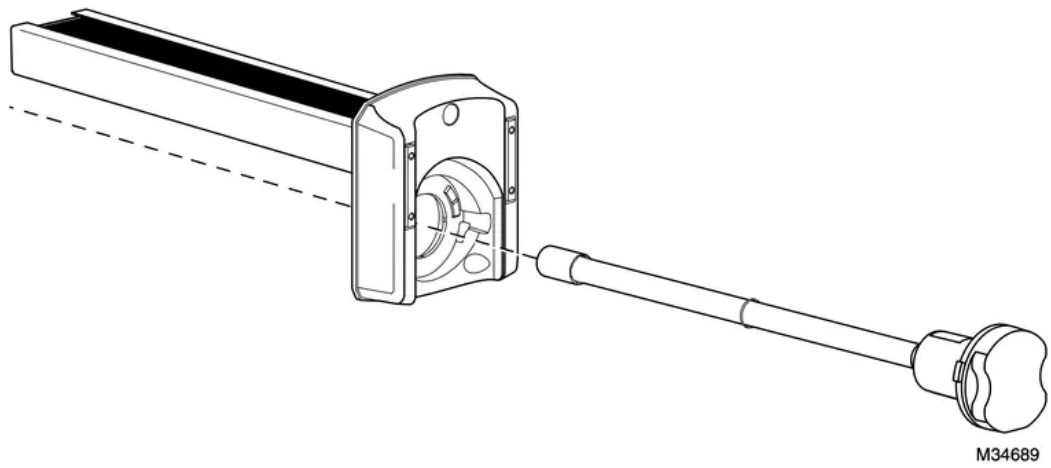


M34659

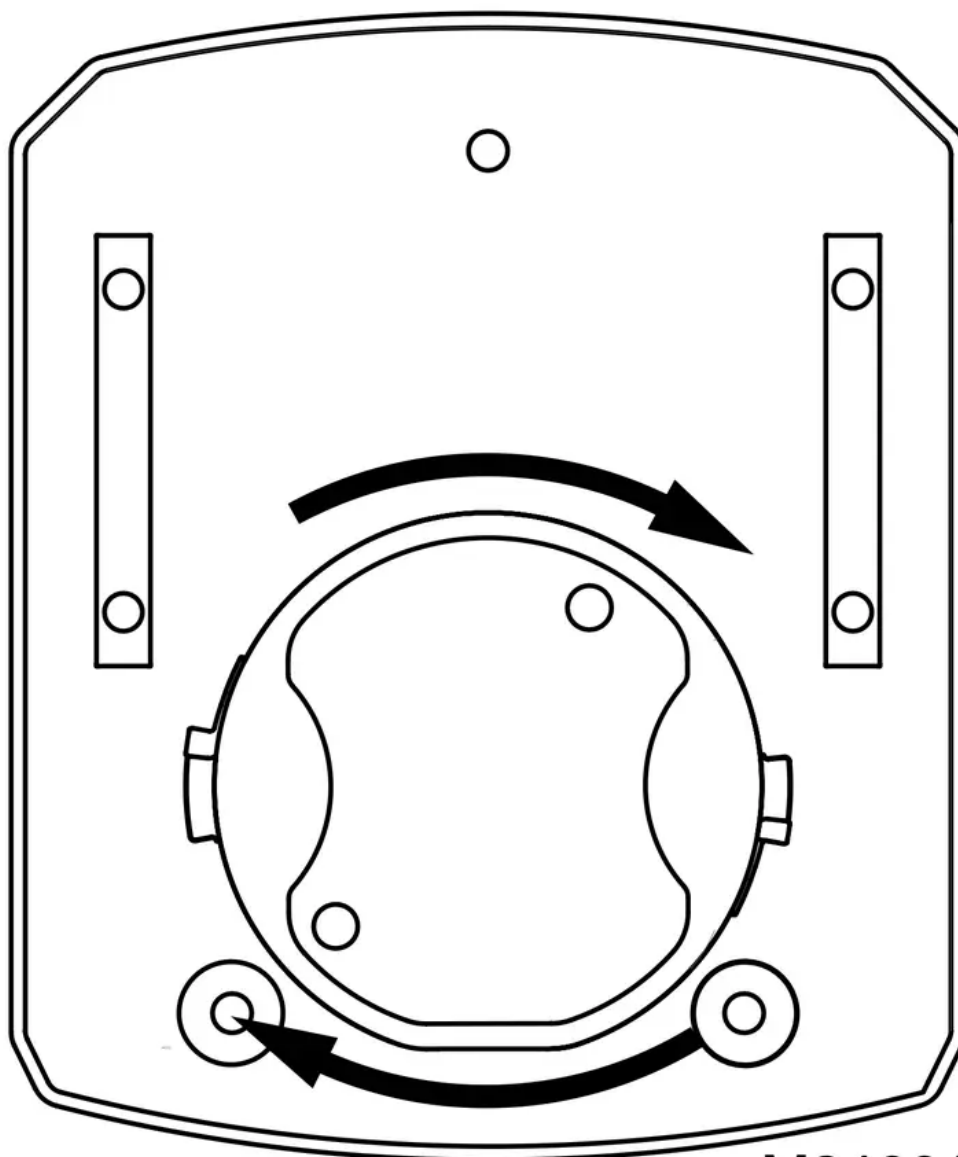
5. Push the AirBRIGHT™ Odor Absorber into the base until the two tabs on the side click into place.



6. Insert Snaplamp into base.

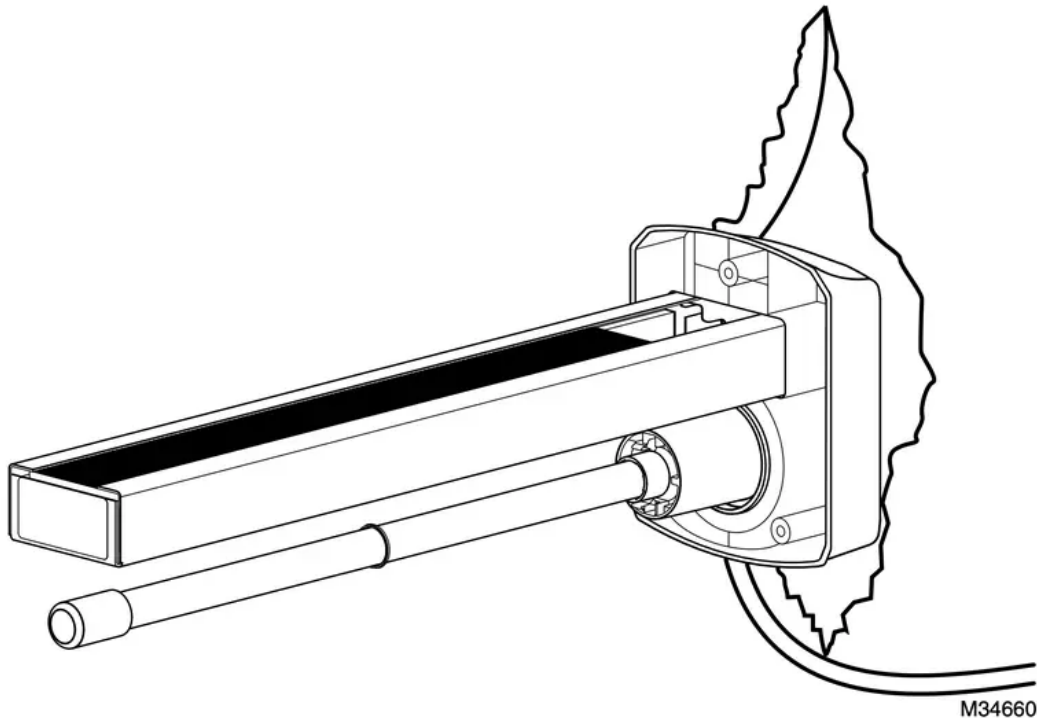


7. Rotate the lamp handle clockwise until it snaps in place.



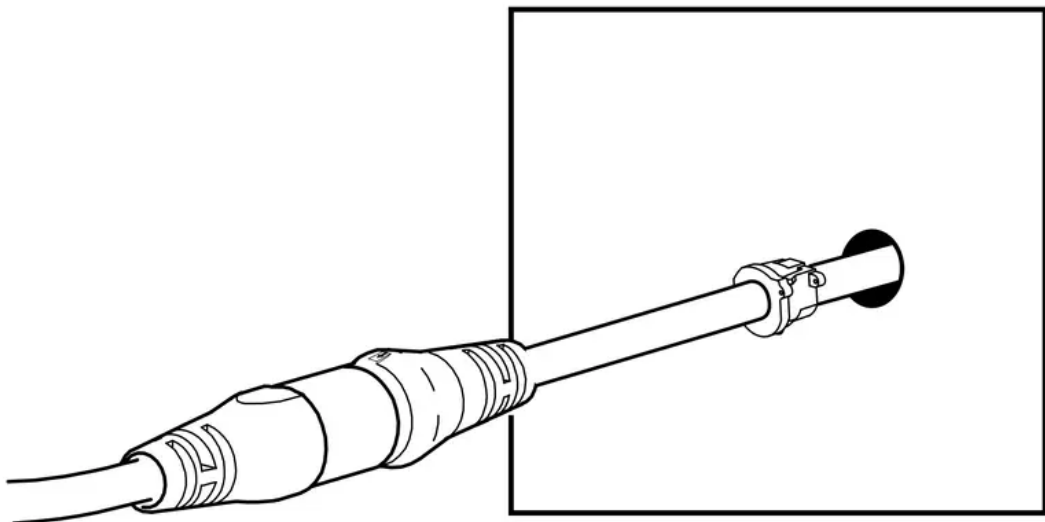
M34661

8. Place the magnetic bars on the base directly on the clean metal surface.



9. Use foil tape to close the cut in the insulation as needed.

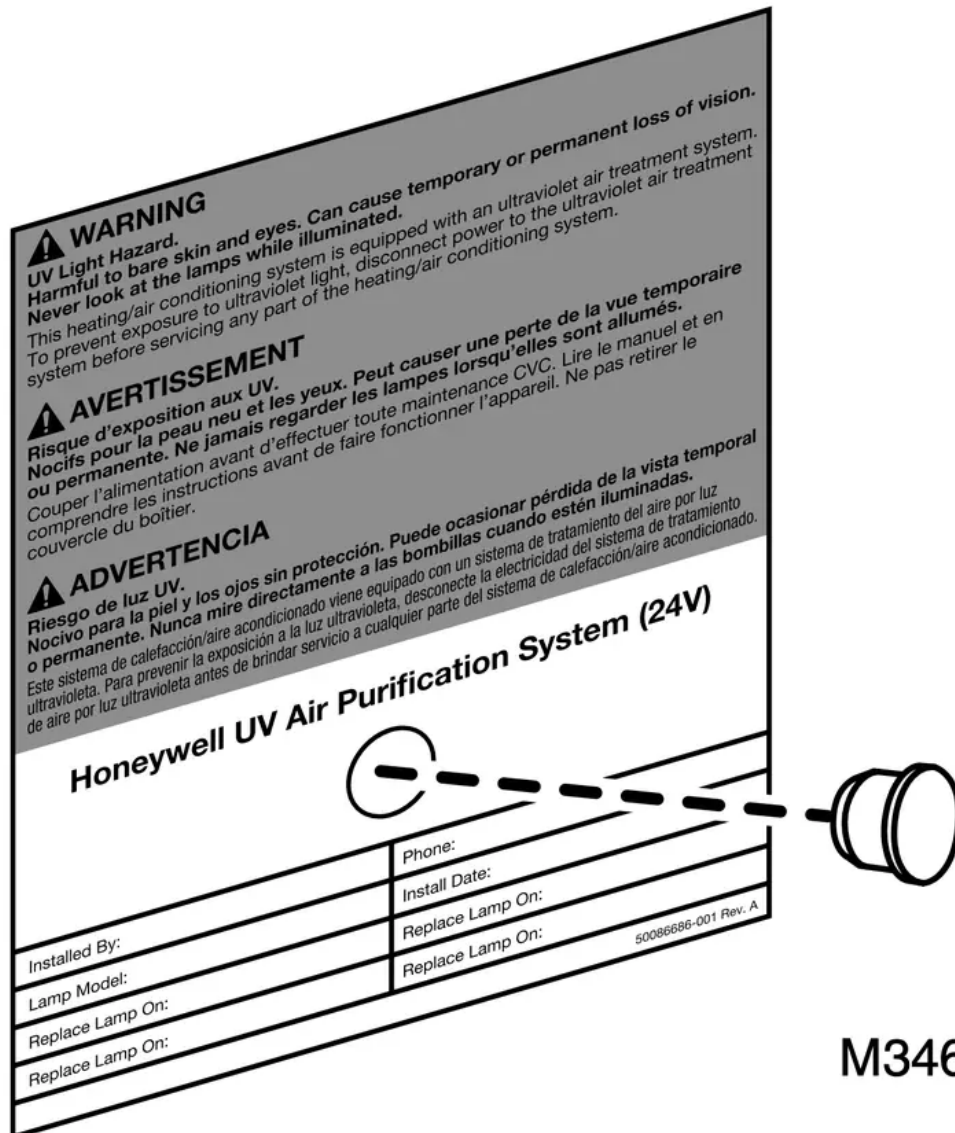
10. Create a 5/8 (0.625) in. hole in the duct and pass the cord through it. Clip the bushing provided onto the cord at a point close to the hole. Plug the hole with the bushing.



11. Secure access panel to the duct work.

12. Find a suitable location on the outside of the duct-work near the UV Lamp installation and apply the warning/lamp replacement sticker.

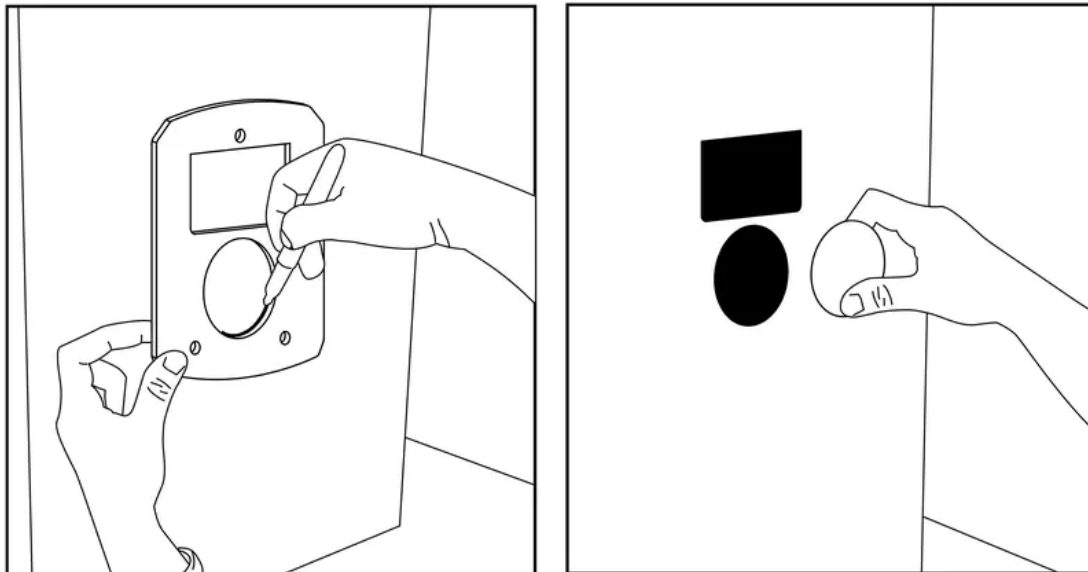
13. Drill a 1/2 in. hole through the circle on the sticker. Press the UV sight glass into hole.



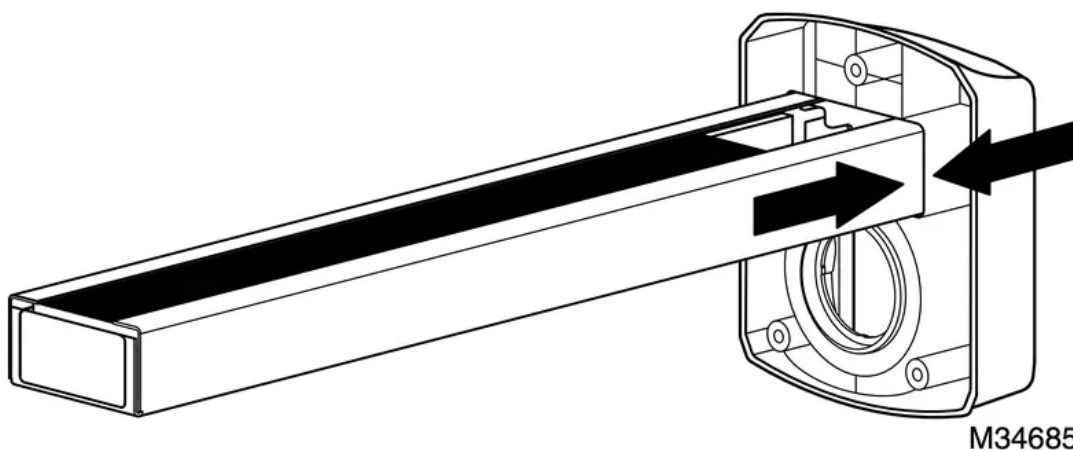
External Mounting for Metal Duct Applications

1. Use the gasket to mark the duct openings. Cut and remove openings, making sure to cut 1/8-inch outside of the markings to create enough room for the product. If using a hole

saw to cut circular opening, use a 2-inch diameter bit.

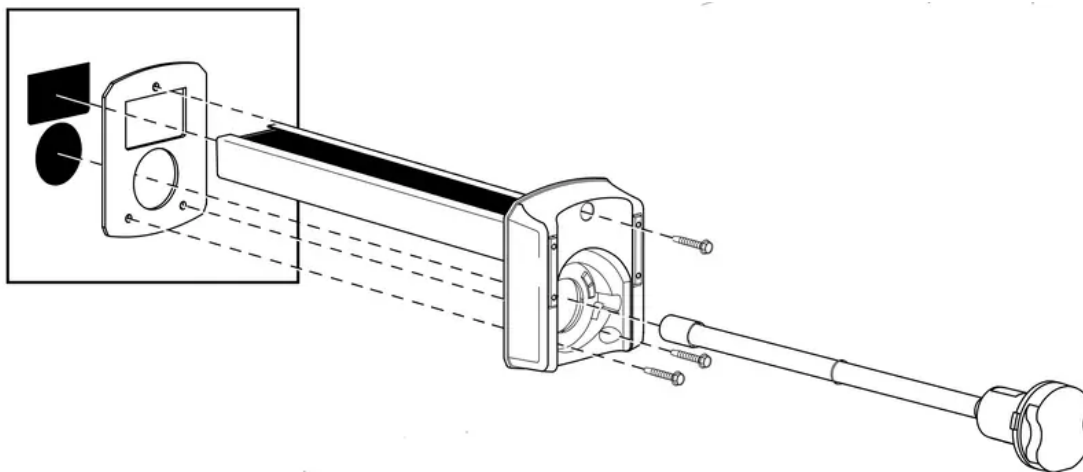


2. Push the AirBRIGHT™ Odor Absorber into the base until the two tabs on the side click into place.



M34685

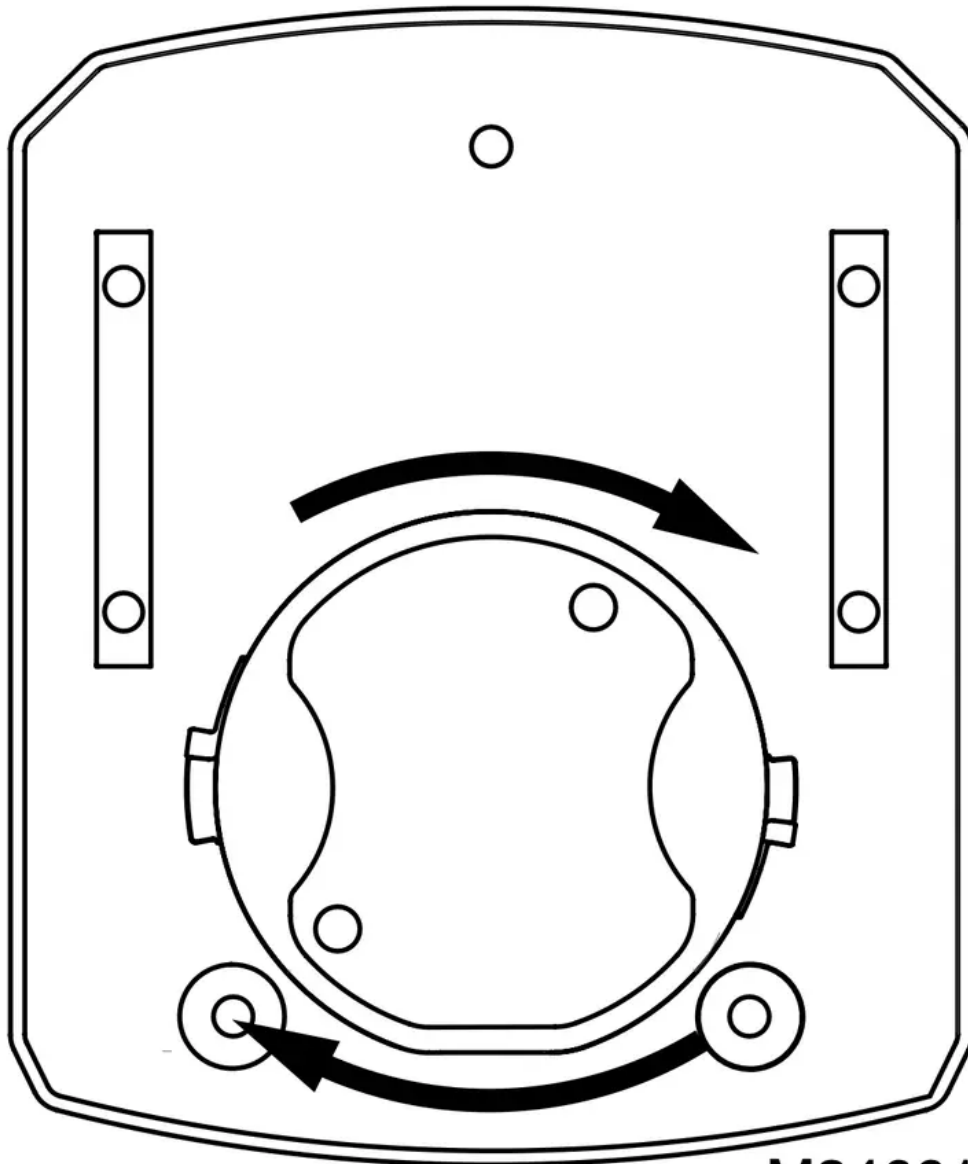
3. Remove one side of the backing from the gasket and stick gasket on the ductwork so that the openings line up.



M34687



4. Peel away the other side of the backing on the gasket and insert AirBRIGHT™ into the duct until the base sticks securely to the gasket.
5. Secure the base to the ductwork using self-tapping screws.
6. Insert lamp into base and turn handle clockwise to lock in place.



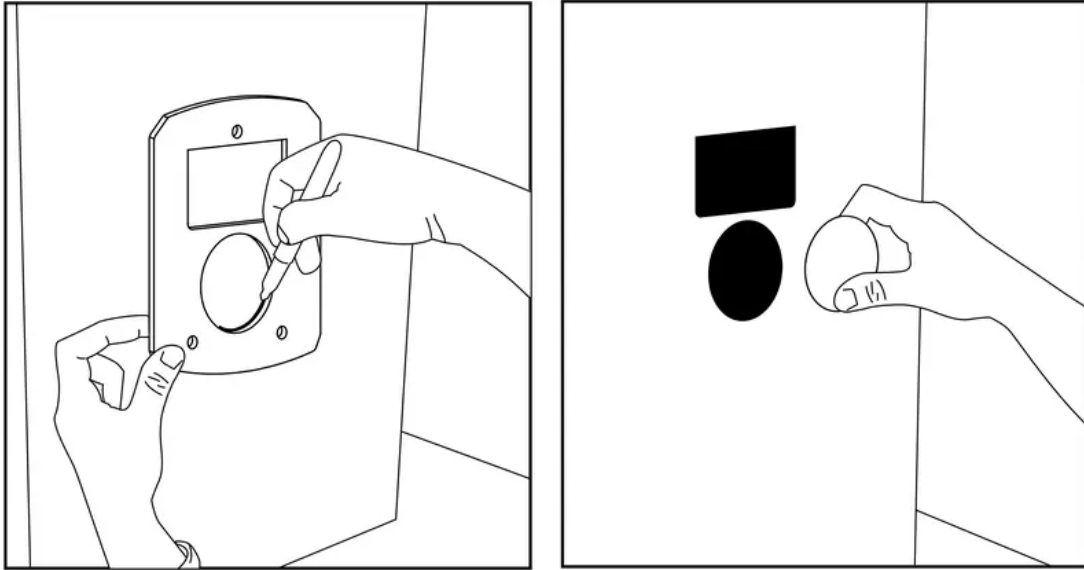
M34661

7. Find a suitable location on the outside of the duct-work near the UV Lamp installation and apply the warning/lamp replacement sticker.

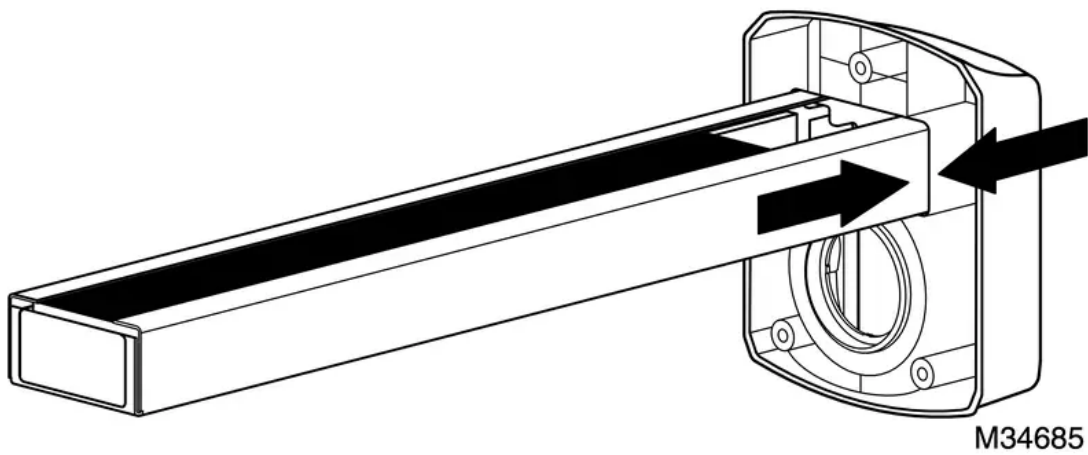
Duct Board Mounting: For Duct Board Applications Only

1. Use the gasket to mark the duct openings. Cut and remove openings, making sure to cut 1/8-inch outside of the markings to create enough room for the product. If using a hole

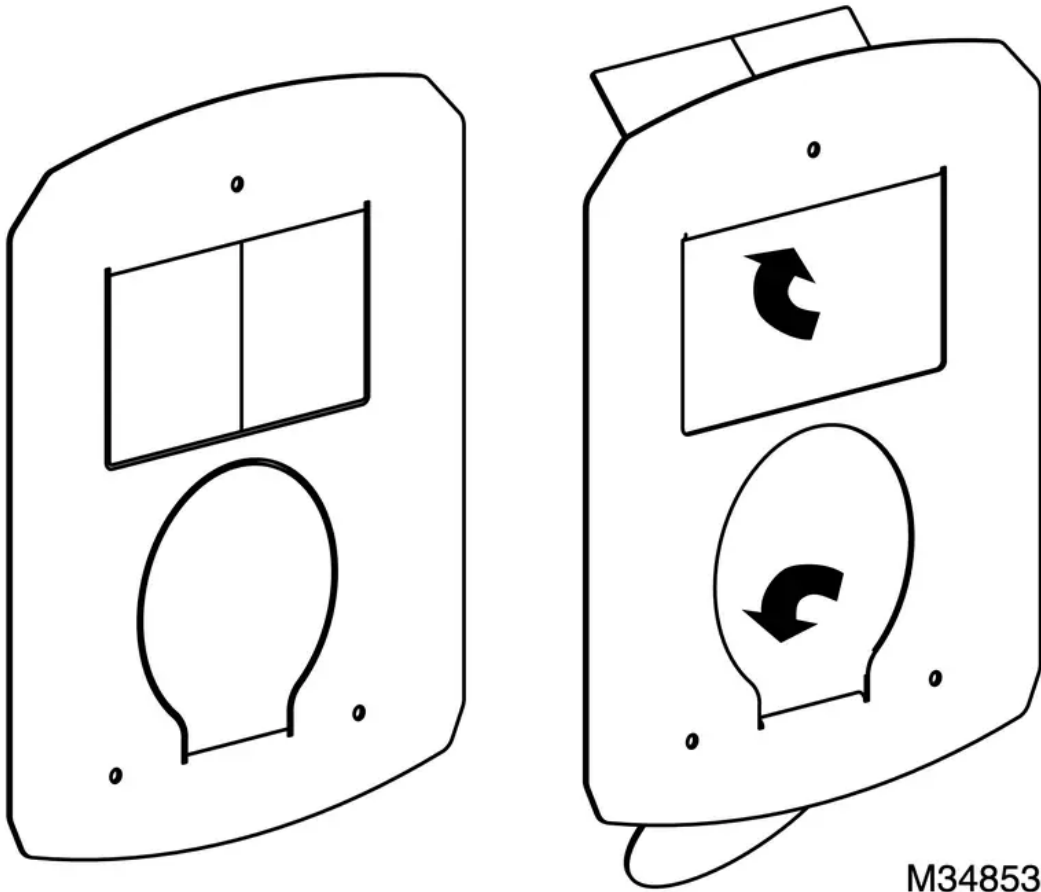
saw to cut circular opening, use a 2-inch diameter bit.



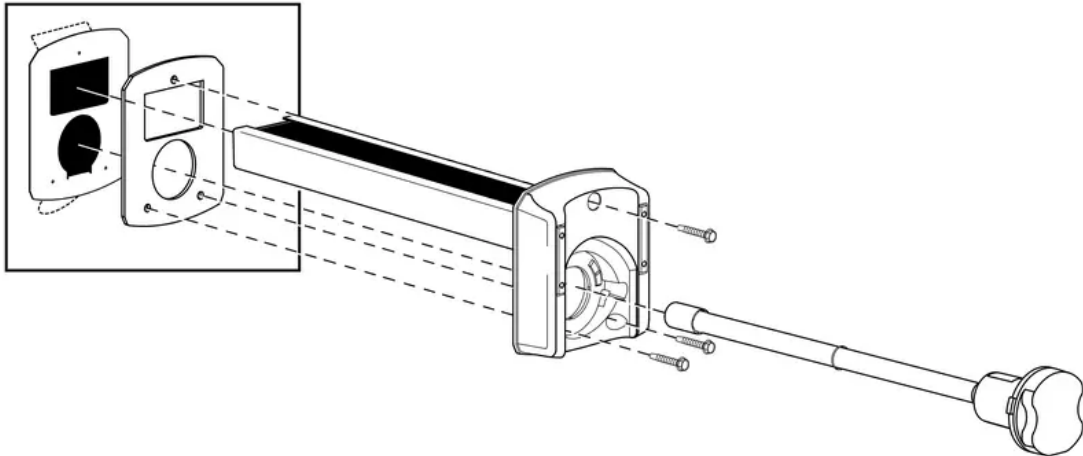
2. Push the AirBRIGHT™ Odor Absorber into the base until the two tabs on the side click into place.



3. Bend metal tabs of duct board adapter over the holes cut in the duct board.



4. Remove one side of the backing from the gasket and stick gasket on the duct board adapter so that the openings line up.

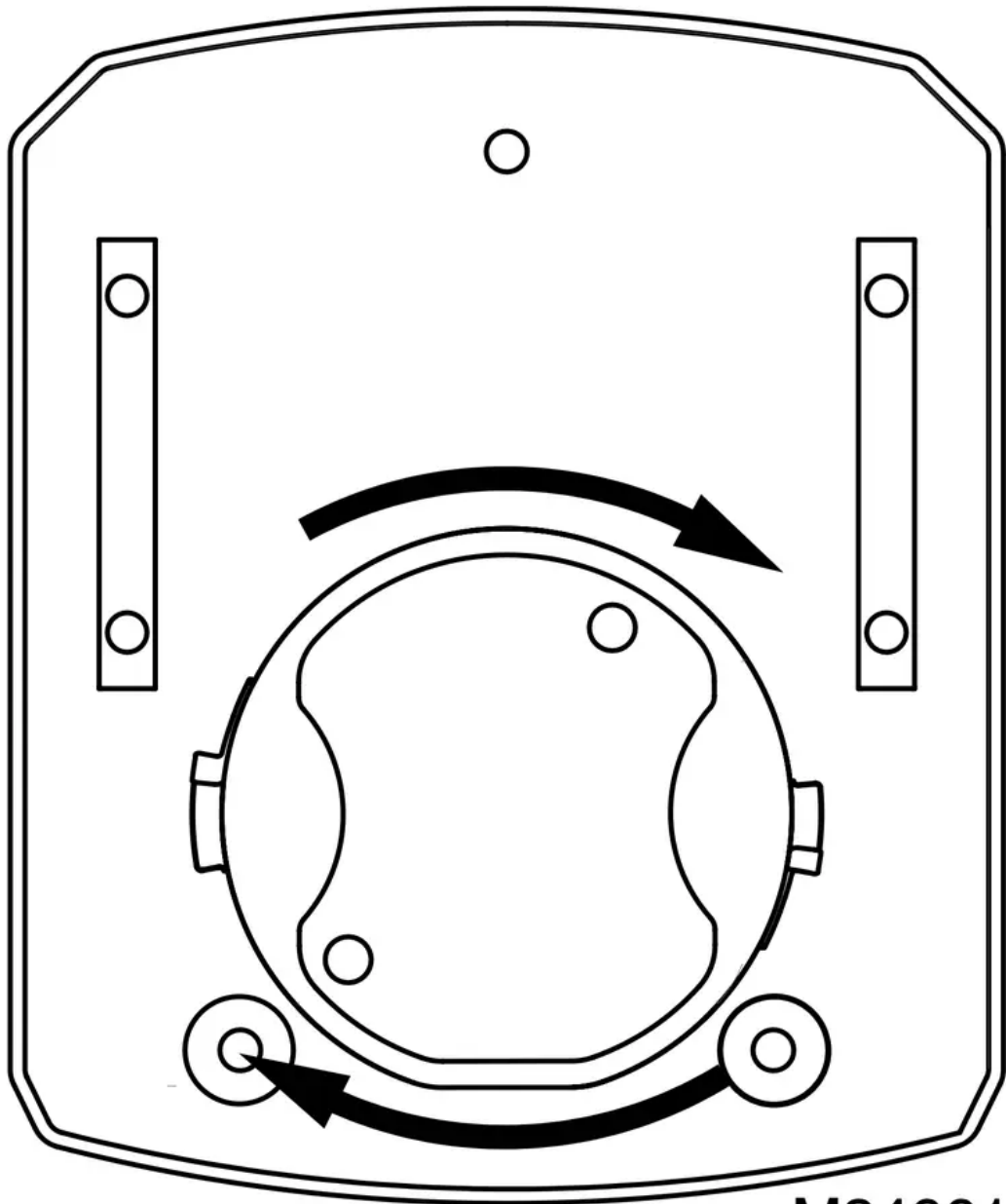


5. Peel away the other side of the backing on M34852 the gasket and insert AirBRIGHT into the duct until the base sticks securely to the gasket.

6. Secure the base to the ductwork using self tapping screws.

7. Insert lamp into base and turn handle clockwise to lock in place.

8. Find a suitable location on the outside of the duct-work near the UV Lamp installation and apply the warning/lamp replacement sticker.

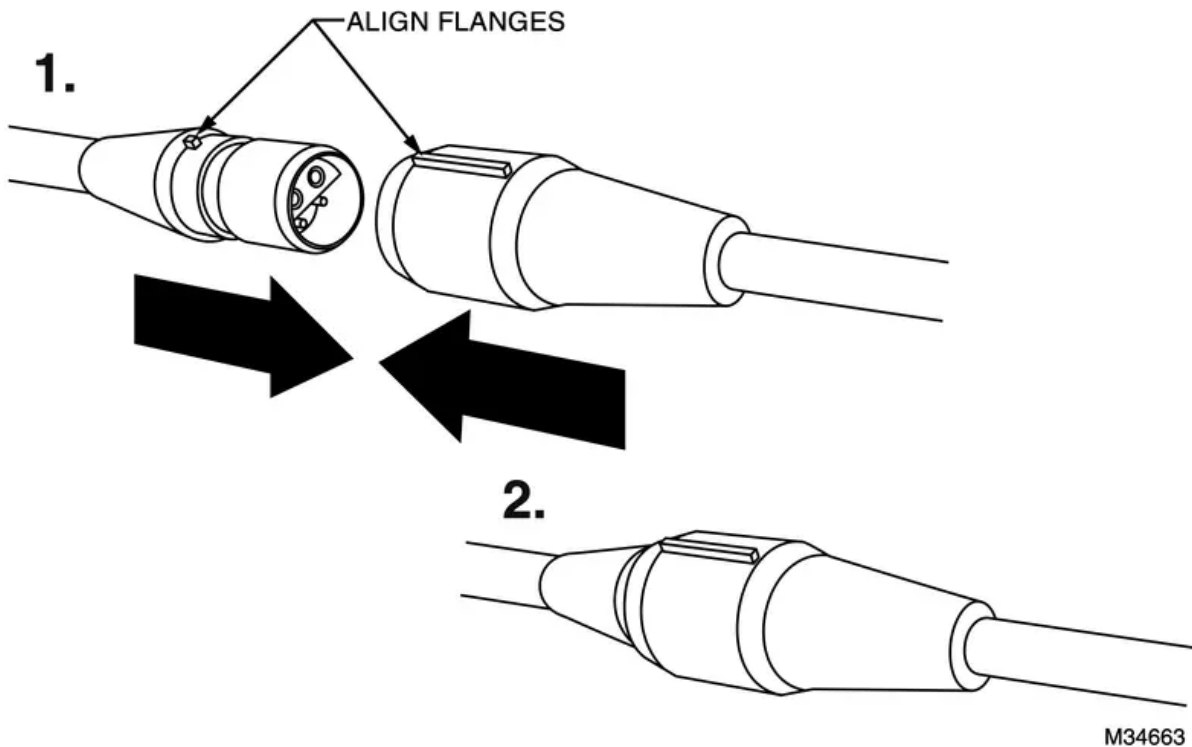


M34661

Power Supply Installation

- Find a suitable location for the power supply and mount using the self-tapping screws.
- Use the wiring diagram on the next page to connect to power.
- When all the other components are properly installed connect the UV lamp cable to the power supply cable.
- Make sure the flanges are aligned and then push the connectors firmly together. A tight connection ensures a proper water-resistant seal. See image at right.

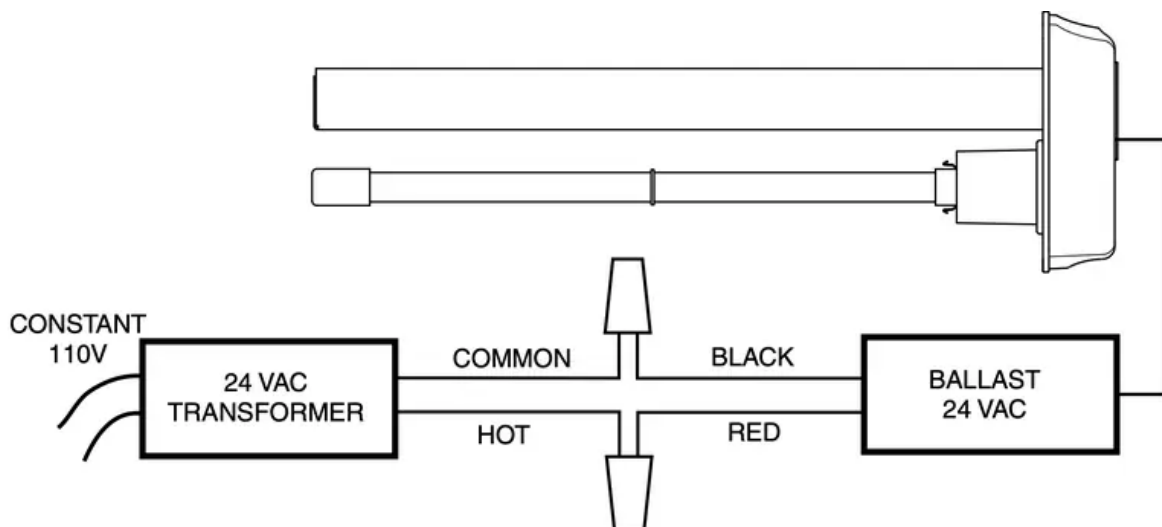
- Turn on the power and use the lamp handle or sight glass to confirm that the UV Lamp is operating.



Power Supply Wiring

WARNING:

- Draws 16 VA, do load calculation to determine if a separate transformer is needed.
- Systems with high 24 VAC loads may require the installation of a separate 24 VAC transformer to power the UV light.
- Always use a separate 24 VAC transformer with “communicating” air systems.



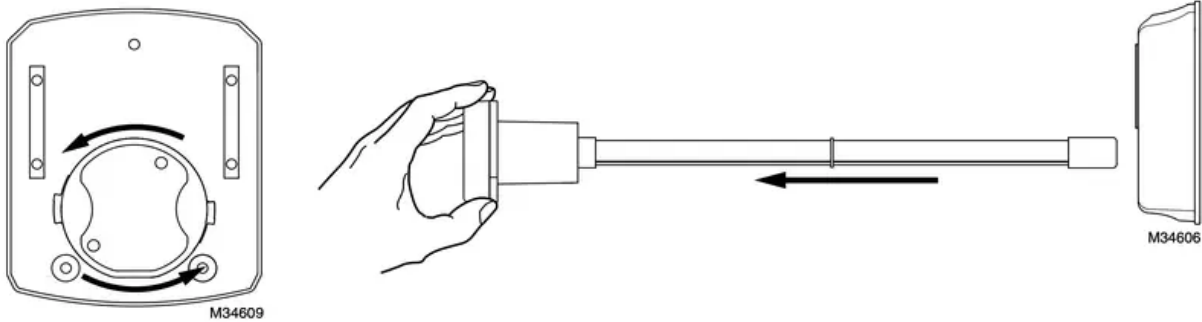
NOTE: IMPORTANT! MUST BE WIRED TO CONSTANT POWER. DO NOT CONNECT TO BLOWER RELAY.

Maintenance

Note: Lamps should be replaced every year. UV lamps will continue to emit visible light but lose germicidal effectiveness after approximately one year.

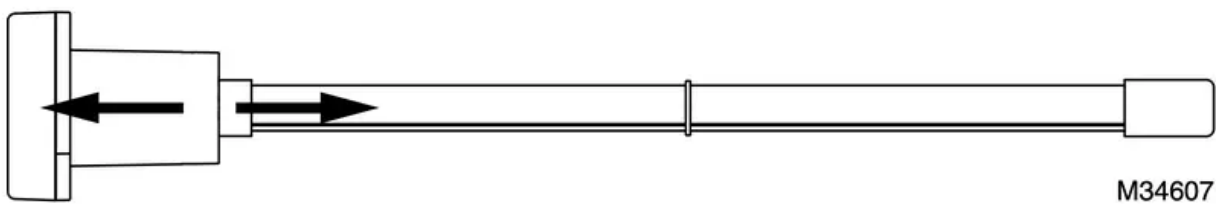
Changing UV Lamp

1. Disconnect the power to your heating and cooling system.
2. Unplug or turn off power to your UV System and allow the lamp to cool for at least 15 minutes.
3. Rotate the lamp handle counterclockwise, as shown below, and gently pull the lamp handle to remove the lamp.

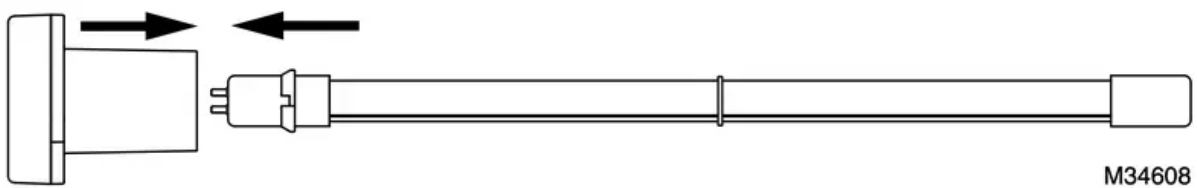


Replacing UV Lamp

Grasp the SnapLamp handle in one hand and the base of the lamp glass in the other and pull straight apart.

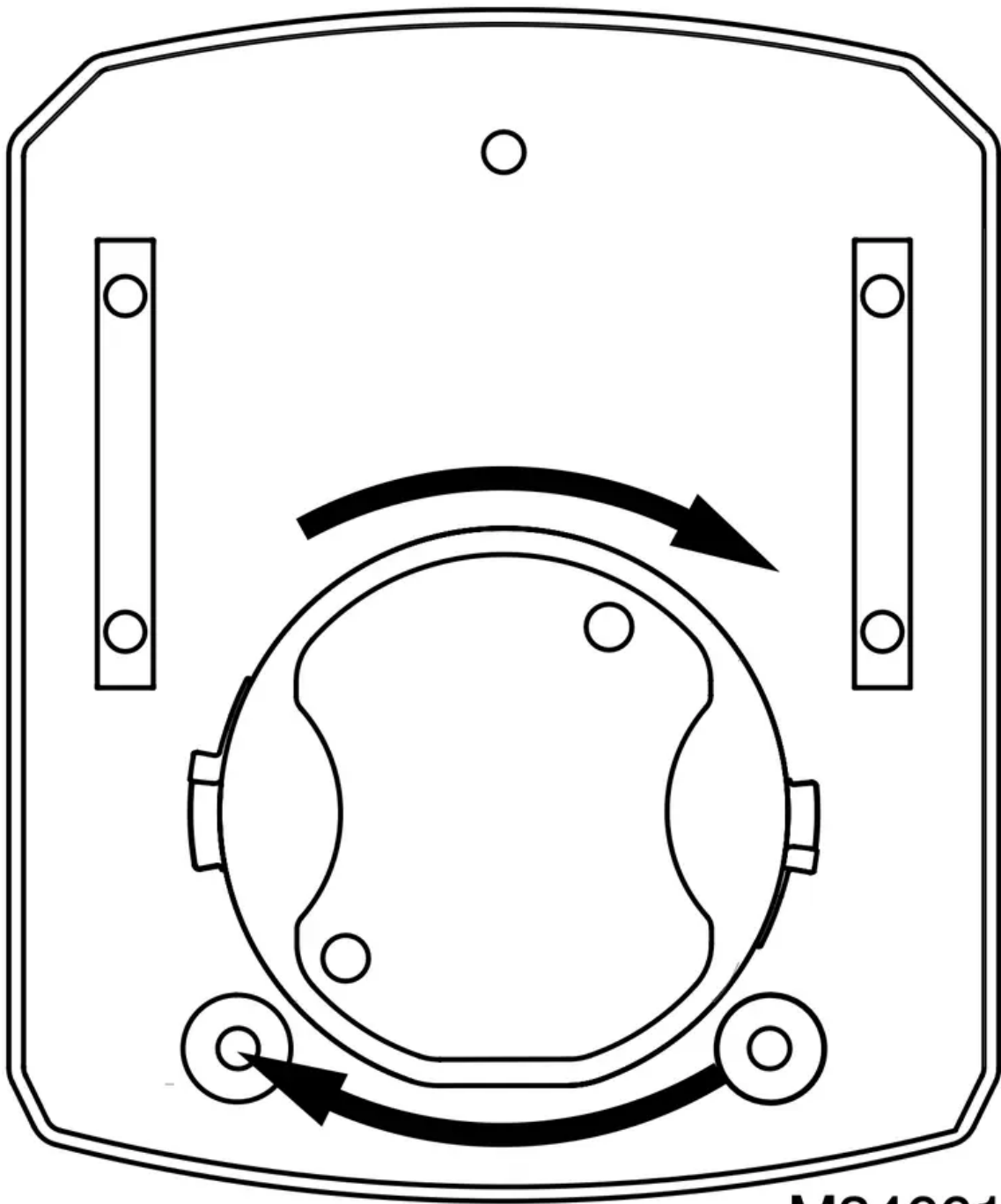


Insert the new lamp glass into the SnapLamp handle by aligning the key and pushing straight together.



Replace SnapLamp in Base

Rotate the lamp handle clockwise until it snaps into place.



M34661

MERCURY NOTICE: This device contains mercury in the sealed ultraviolet lamp(s). Do not place your used lamp(s) in the trash. Dispose of properly.

Broken Lamp Cleanup and Disposal

Do not use a household vacuum. Sweep debris (phosphor/glass) into a plastic bag and dispose of properly. Contact your local waste management authority for instructions regarding recycling and the proper disposal of old lamp(s).

Note: Use of replacement UV lamps other than Honeywell approved lamps voids warranty.



Warning

This content is compiled from multiple sources and is provided for reference purposes only. It may not be complete or fully applicable to all situations. If you are unable to resolve your issue, please contact the product manufacturer or an authorized service provider for official support.

Document generated by [ManualsFile](#)