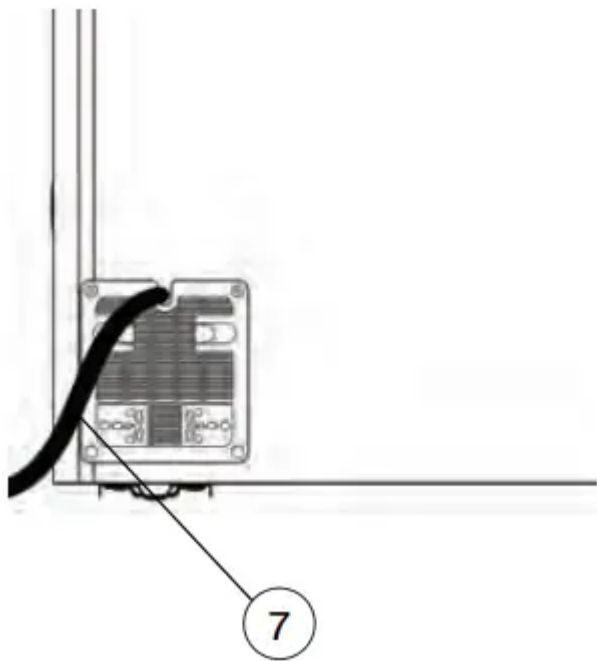
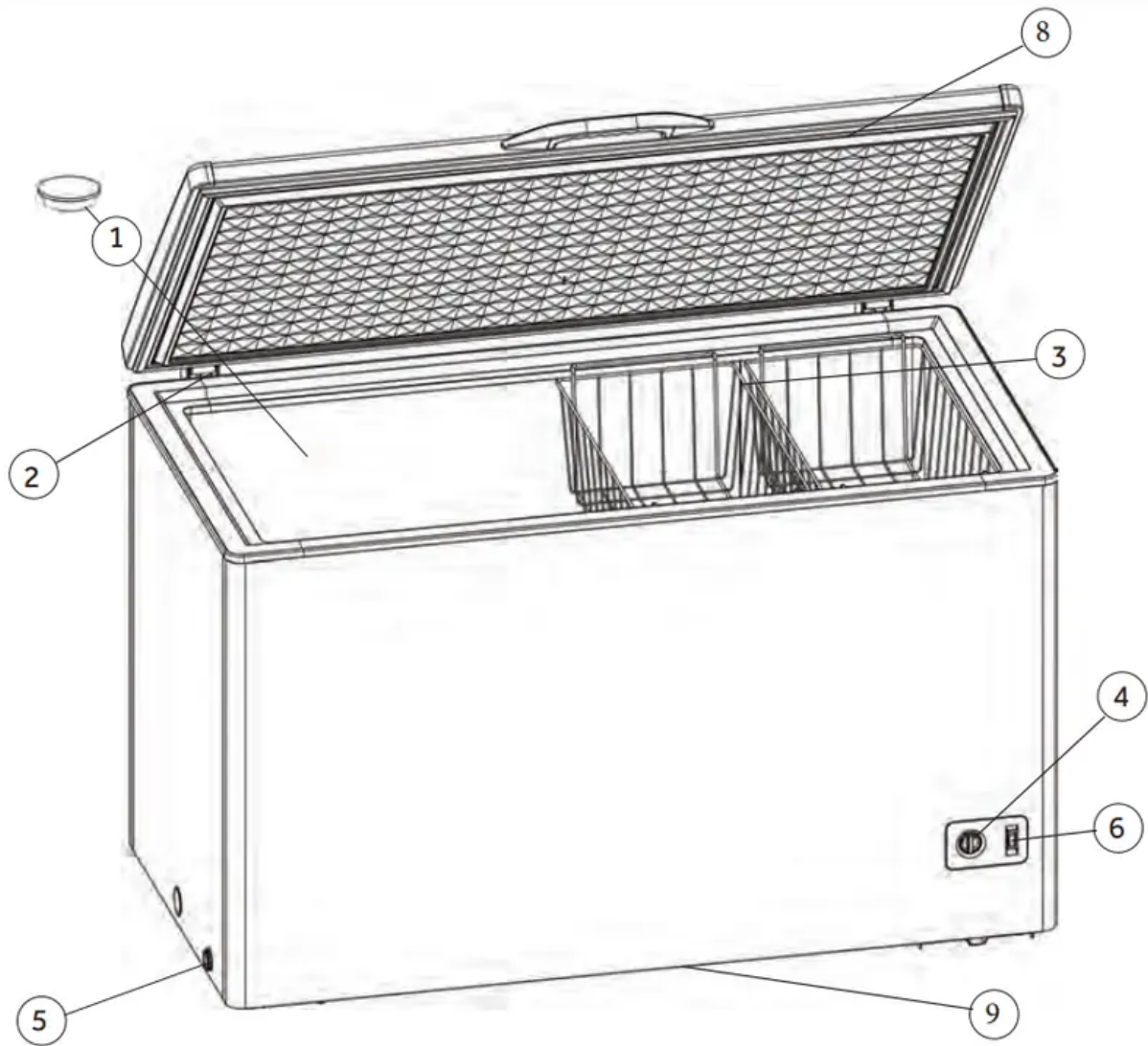


**USER MANUALS**

## **Parts And Features**





1. Interior Drain Plug



2. Lid Hinge
3. Vinyl Coated Wire Baskets
4. Temperature Control: OFF, Temperature Settings
5. Exterior Drain Plug
6. Power On Indicator
7. Power Cord
8. Lid Gasket
9. 2 Locking & 2 non-Locking casters

## Installing Your Freezer

### Unpacking Your Freezer

1. Place the freezer on a floor strong enough to support it fully loaded.
2. Remove all packaging material. This includes the foam base and all adhesive tape holding the freezer accessories inside and outside.
3. Inspect and remove any remains of packing, tape or printed materials before powering on the freezer.

### Installing Your Freezer

1. Install on a level surface.
2. Allow 4 hours after installation before connecting to power source.
3. Allow unit to operate for 6–8 hours before placing food inside.
4. Clean interior with lukewarm water and mild detergent using sponge or soft cloth. Be sure interior is dry before using.

### Proper Air Circulation

To assure your freezer works at the maximum efficiency it was designed for, install in a location where there is proper air circulation, plumbing and electrical connections.

The following are recommended clearances around the freezer:

Sides	4" (102mm)
Back	4" (102mm)
Top	Do not block

### Adjusting Your Freezer

Your freezer is designed for freestanding installation only. It should not be recessed or built-in.

When moving the freezer, never tilt it more than a 45-degree angle. This could damage the compressor and the sealed system.

If the freezer is tilted let it stand in an upright position for at least 24 hours prior to plugging in the unit. This is to allow the refrigerant to settle.

#### **^WARNING: ELECTRICAL REQUIREMENT - SHOCK HAZARD**

1. Make sure there is a suitable power Outlet (115 volts, 15 amps outlet) with proper grounding to power the freezer.
2. Avoid the use of three plug adapters or cutting off the third grounding in order to accommodate a two plug outlet. This is a dangerous practice since it provides no effective grounding for the freezer and may result in shock hazard.
3. Use a surge protector if possible.

#### **Use of Extension Cord**

1. Avoid the use of an extension cord because of potential safety hazards under certain conditions. If it is necessary to use an extension cord, use only a 3-wire extension cord that has a 3-blade grounding plug and a 3- slot outlet that will accept the plug. The marked rating of the extension cord must be equal to or greater than the electrical rating of the appliance.
2. DO NOT USE EXTENSION CORD LONGER THAN 12 FT.

#### **Install Limitations**

1. Do not install your freezer in any location not properly insulated or heated. Your freezer was not designed to operate in temperature environments below 23° Fahrenheit.
2. Select a suitable location for the freezer on a hard even surface away from direct sunlight or heat source e.g. radiators, baseboard heaters, cooking appliances etc. Any floor unevenness should be corrected.

## **Freezer Features and Use**

### **Operating Your Freezer**

- Once the freezer is in its proper place, plug it in an electrical outlet having 115 volts and 15 amps.
- Set the temperature, on the temperature control knob. "MIN" is cold and "MAX" is coldest. Initially set the temperature on "4". Place food inside the freezer. After using the freezer for 24 hours set the freezer to your desired setting.
- In case you unplug your freezer or experience an electrical outage, allow 5 minutes before plugging it back in.

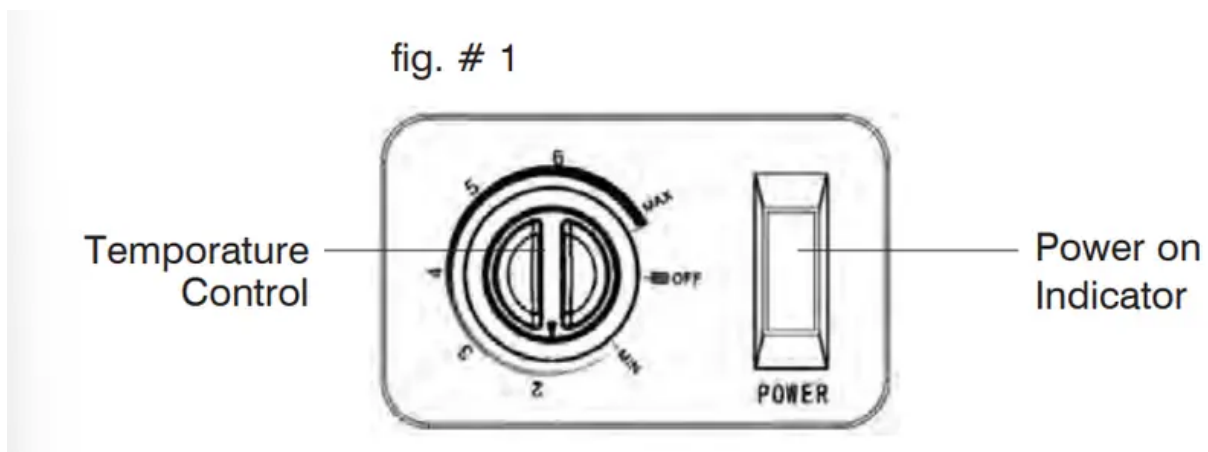
## General Features

### Adjustable temperature dial: (see fig. # 1)

Your freezer will automatically maintain the temperature level you select. The temperature control dial has 7 settings plus OFF. "MIN" is cold "MAX" is coldest. Set the dial to "4" and allow 24 hours to pass before adjusting the temperature to your needs.

For faster freezing capability: The first time you turn the unit on, turn the temperature control dial to "MAX" and run for at least 2 hours, then turn dial to "4".

(Note: If the freezer has been placed in a horizontal or tilted position for any period of time wait 24 hours before plugging the unit in.)

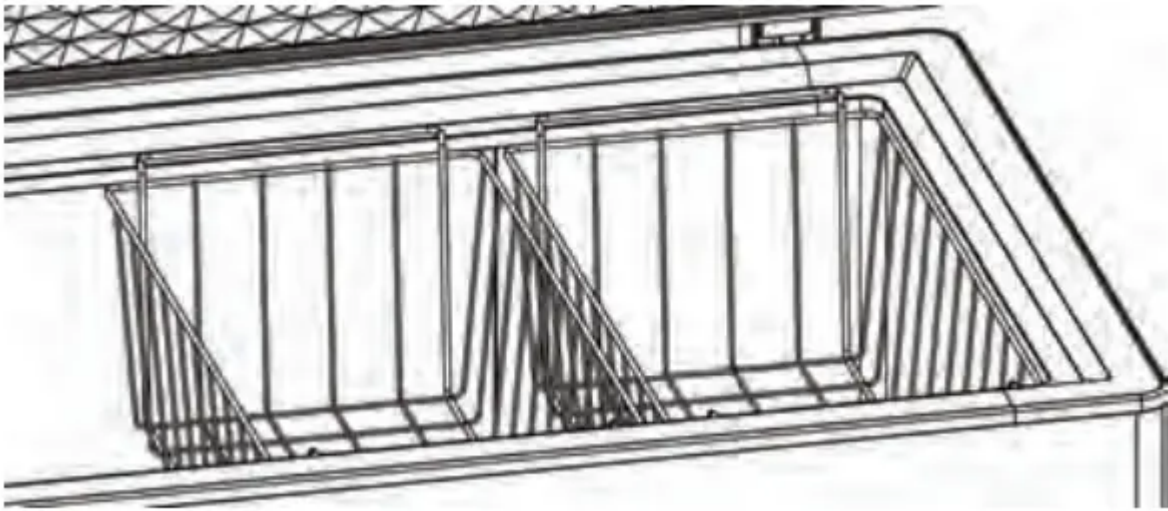


### Normal Operating Sounds You May Hear

- Boiling water, gurgling sounds or slight vibrations that are the result of the refrigerant circulating through the cooling coils.
- The thermostat control will click when it cycles on and off.

### Food Storage Basket

- Your freezer has 2 baskets. Removable basket allows you to store food more accessibly or you can remove it if not needed.



## Defrosting and Draining

- For most efficient operation and minimum energy consumption, defrost whenever the frost becomes 1/4" thick. Never use a sharp or metallic instrument to remove the frost, as it may damage the cooling coils. (A punctured coil will void the warranty). Do not use boiling water as it may damage the unit. It is advisable to let ice and frost melt naturally.
- Remove frozen food from the freezer and place it in a cooler to protect the food.
- Unplug the unit. Defrosting usually takes a few hours. To defrost faster keep the freezer door open.
- For draining, place a tray beneath the outer drain plug. Unscrew and remove drain plug. This will let the water flow out in the tray. When done, screw on the drain plug in place. Note: monitor the container under the drain to avoid overflow.
- When draining is complete, wipe the interior of the freezer with a soft cloth. Plug in power cord back into the electrical outlet.
- Reset the temperature control to the desired setting.
- Return the food into the freezer.

## Food Storage Information

### Frozen Food:

- Wipe containers before storing to avoid needless spills.
- Hot food should be allowed to cool before storing in the freezer. This will prevent unnecessary energy use.
- When storing meats, keep in the original packaging or rewrap as necessary.

- Proper freezer storage requires correct packaging. All foods must be in packages, which do not allow the flow of air or moisture in, or out. Improper storage will result in odor and taste transfer and will result in the drying out of the improperly packaged food.
- Follow package or container instructions for proper storage.
- Packaging Recommendations:
  - Plastic containers with air tight lids
  - Heavy duty aluminum foil
  - Plastic wrap made from saran film
  - Self-sealing plastic bags
- Do not refreeze defrosted/thawed foods.
- It is recommended that the freezing date be marked on the packaging.

### **These are some suggestions for safe storage**

- TV Dinners 3 - 4 Months
- Fresh Shrimp, Scallops, Crawfish 3 - 6 Months
- Hamburgers, Stew Meats 3 - 4 Months
- Ground Turkey, veal, pork 4 - 6 Months
- Chops 4 - 6 Months
- Steaks 6 - 12 Months
- Chicken or Turkey, whole 1 - Year

For detailed storage chart visit FDA website: [www.FDA.gov](http://www.FDA.gov)

## **Proper Freezer Care and Cleaning**

### **Cleaning and Maintenance**

**WARNING:** To avoid electric shock always unplug your freezer before cleaning. Ignoring this warning may result in death or injury.

**CAUTION:** Before using cleaning products, always read and follow manufacturer's instructions and warnings to avoid personal injury or product damage.

### **GENERAL**

- Prepare a cleaning solution of 3-4 tablespoons of baking soda mixed with warm water. Use sponge or soft cloth, dampened with the cleaning solution, to wipe down your freezer.
- Rinse with clean warm water and dry with a soft cloth.

- Do not use harsh chemicals, abrasives, ammonia, chlorine bleach, concentrated detergents, solvents or metal scouring pads. SOME of these chemicals may dissolve, damage and/or discolor your freezer.

### **Door Gaskets:**

- Clean door gaskets every three months according to general instructions. Gaskets must be kept clean and pliable to assure a proper seal.
- Petroleum jelly applied lightly on the hinge side of gaskets will keep the gasket pliable and assure a good seal.

### **Power Interruptions**

- Occasionally there may be power interruptions due to thunderstorms or other causes. Remove the power cord from AC outlet when a power outage occurs. When power has been restored, replug power cord to AC outlet. If outage is for a prolonged period, inspect and discard spoiled or thawed food in freezer. Clean freezer before reusing.

### **Vacation and Moving Care**

- For long vacations or absences, empty food from freezer, unplug the unit and clean the door gaskets according to “General cleaning” section. Prop doors open, so air can circulate inside. When moving always move the freezer vertically. Do not move with the unit lying down. Possible damage to the sealed system could occur.

WARNING: IF OUTAGE IS FOR A PROLONGED PERIOD, INSPECT AND DISCARD SPOILED OR THAWED FOOD IN FREEZER. CLEAN FREEZER BEFORE REUSING.

## **Troubleshooting**

### **Freezer Does Not Operate:**

- Check if freezer is plugged in.
- Check if there is power at the AC outlet, by checking the circuit breaker.
- Wait for 30-40 minutes to see whether freezer will start. Compressor cycle must be complete to operate.
- Check Temperature Control.

### **Food temperature appears too warm:**

- Frequent door openings.
- Check door to be sure it is closed properly.

- Allow time for recently added warm food to reach freezer temperature.
- Check gaskets for proper seal.
- Adjust temperature control to colder setting.

### **Food temperature is too cold:**

- If temperature control setting is too cold, adjust to a warmer setting and allow several hours for temperature to adjust.
- Ice build-up on interior walls

### **Too much frost build-up inside unit:**

- Make sure temperature control is not set to “MAX” setting for extended period of time.

### **Vibration:**

- Make sure the unit is level.
- Check to be sure the unit is not touching the wall.
- Double check whether the unit has been properly installed.

### **Compressor runs too frequently:**

- This may be normal to maintain constant temperature during high temperature and humid days.
- Doors may have been opened frequently or for an extended period of time.
- Check gasket for proper seal.
- Check to see if doors are completely closed.
- Check freezer compartment for blockage from frozen food packages, containers, etc.

### **Freezer has an odor:**

- Interior needs cleaning.
- Foods improperly wrapped or sealed are giving off odors.

#### **Warning**

This content is compiled from multiple sources and is provided for reference purposes only. It may not be complete or fully applicable to all situations. If you are unable to resolve your issue, please contact the product manufacturer or an authorized service provider for official support.