

# Installation and connection

## Scope of delivery

After unpacking all parts, check for any transport damage and for completeness of delivery.

If you have any complaints, contact the dealer or our after-sale service → *Page 27*

The delivery consists of the following:

- Free-standing appliance
- Equipment and accessories<sup>1</sup>
- Installation material
- Installation instructions
- User manual
- Customer service directory
- Warranty enclosure<sup>2</sup>
- Energy label
- Information on energy consumption and noises

1 Depending on the appliance specifications


2 Not in all countries

## Criteria for the installation location

### **WARNING: Risk of explosion!**

If the appliance is in a space that is too small, a leak in the refrigeration circuit may result in a flammable mixture of gas and air.

- Only install the appliance in a space with a volume of at least 1 m<sup>3</sup> per 8 g refrigerant.

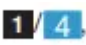
The volume of refrigerant is indicated on the rating plate. → "Appliance", Fig. , *Page 14*

The weight of the appliance ex works may be up to 65 kg depending on the model.

The subfloor must be sufficiently stable to bear the weight of the appliance.

## Permitted room temperature

The permitted room temperature depends on the appliance's climate class.

The climate class can be found on the rating plate. → "Appliance", Fig. , *Page 14*

Climate class	Permitted room temperature
SN	10 °C to 32 °C
N	16 °C to 32 °C
ST	16 °C to 38 °C
T	16 °C to 43 °C

The appliance is fully functional within the permitted room temperature.

If an appliance with climate class SN is operated at colder room temperatures, the appliance will not be damaged up to a room temperature of 5 °C.

### Over-and-under and side-by-side installation

If you want to install 2 refrigerating appliances one over the other or side by side, you must maintain a clearance of at least 150 mm between the appliances. Selected appliances can be installed without a minimum clearance. Ask your dealer or kitchen planner about this.

### Installing the appliance

- Install the appliance in accordance with the enclosed installation instructions.

### Preparing the appliance for the first time

1. Remove the informative material.
2. Remove the protective foil and transit bolts, e.g. remove the adhesive strips and carton.
3. Clean the appliance for the first time. → *Page 20*

### Connecting the appliance to the electricity supply

1. Insert the mains plug of the appliance's power cable in a socket nearby.

The connection data of the appliance can be found on the rating plate. → *"Appliance", Fig.*

 *Page 14*

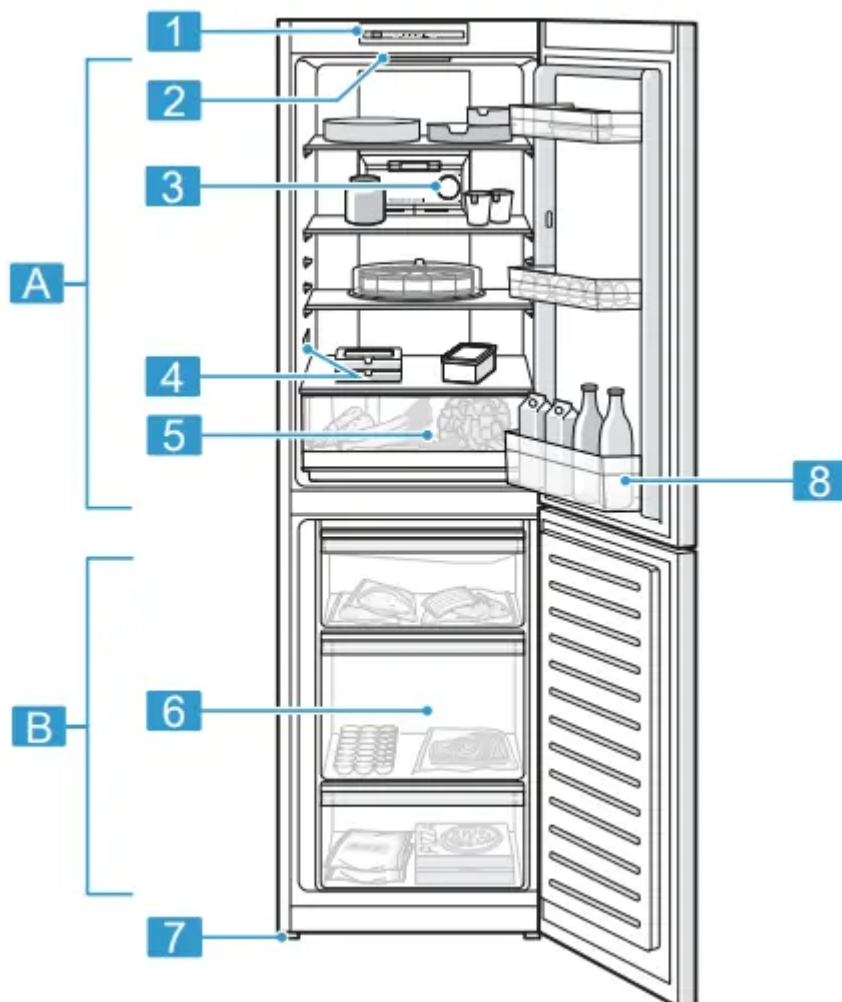
2. Check the mains plug is inserted properly.

- The appliance is now ready for use.

## Familiarising yourself with your appliance

### Appliance

You can find an overview of the parts of your appliance here



**A** Refrigerator compartment → *Page 18*

**B** Freezer compartment → *Page 18*

**1** Control panel → *Page 14*

**2** Lighting

**3** Temperature controller (refrigerator compartment)

**4** Rating plate → *Page 27*

**5** Fruit and vegetable container → *Page 15*

**6** Frozen food container → *Page 21*

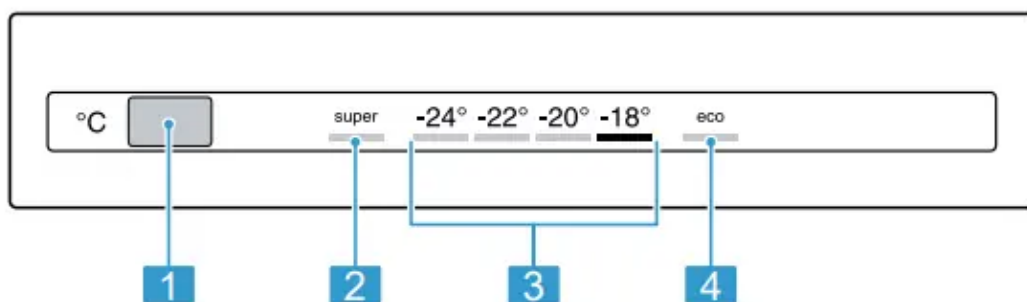
**7** Screw foot

**8** Door storage compartment for large bottles → *Page 15*

**Note:** Deviations between your appliance and the diagrams may differ with regard to their features and size.

## Control panel

You can use the control panel to configure all functions of your appliance and to obtain information about the operating status.



**1** °C sets the temperature of the freezer compartment.

**2** **super** lights up when Super freezing is switched on.

**3** Displays the set temperature for the freezer compartment in °C.

**4** **eco** lights up when the energy-saving mode in the freezer compartment is switched on.

## Features

The features of your appliance depend on the model.

### Shelf

To vary the shelf as required, you can remove the shelf and re-insert it elsewhere.

→ *"Removing the shelf", Page 21*

### Fruit and vegetable container

Store fresh fruit and vegetables in their packaging in the fruit and vegetable container.

Cover any chopped fruit and vegetables, or store in air-tight packaging. Condensation may form in the fruit and vegetable container depending on the food and quantity stored. Remove the condensation with a dry cloth.

To ensure that the quality and aroma are retained, store fruit and vegetables that are sensitive to cold outside of the appliance at temperatures of approx. 8 °C to 12 °C, e.g. pineapple, bananas, citrus fruits, cucumbers, courgettes, peppers, tomatoes and potatoes.

## **Door rack**

To adjust the door rack as required, you can remove the door rack and re-insert elsewhere.

→ *"Removing door rack", Page 21*

## **Accessories**

Use original accessories. These have been made especially for your appliance.

The accessories for your appliance depend on the model.

## **Egg tray**

Store eggs safely on the egg tray.

## **Ice cube tray**

Use the ice cube tray to make ice cubes.

## **Making ice cubes**

Use only drinking water to make ice cubes.

**1.** Fill the ice cube tray with drinking water up to  $\frac{3}{4}$  and place in the freezer compartment.

If the ice cube tray is stuck to the freezer compartment, loosen it with a blunt implement only (e.g. spoon handle).

**2.** To loosen the ice cubes, twist the ice cube tray slightly or hold it briefly under flowing water.  
operation

# **Basic operation**

## **Switching on the appliance**

**1.** Electrically connect the appliance. → *Page 12*

- The appliance begins to cool.

- A warning signal sounds and the temperature display flashes because the freezer compartment is still too warm.

2. Switch off the warning signal using °C.

3. Set the required temperature. → *Page 16*

## Operating tips

- Once you have switched on the appliance, the set temperature is only reached after several hours. Do not put any food in the appliance until the set temperature has been reached.
- The front panels of the housing are temporarily heated slightly. This prevents condensation in the area of the door seal.
- When you close the door, a vacuum may be created. The door is then difficult to open again. Wait a moment until the vacuum is offset.
- The temperature in the appliance varies due to the following conditions:
  - How often the appliance is opened
  - Load capacity
  - Temperature of newly stored food
  - Ambient temperature
  - Direct sunlight

## Switching off the appliance

- Disconnect the appliance from the power supply. Unplug the appliance from the mains or switch off the circuit breaker in the fuse box.

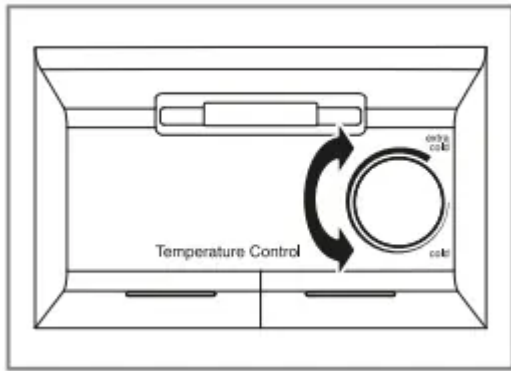
## Setting the temperature

### Setting the refrigerator compartment temperature

1. To reduce the temperature, turn the temperature controller in the **extra cold** direction.

Select a very cold setting only temporarily; if the door is opened frequently or before placing large quantities of food in the refrigerator compartment.

2. To increase the temperature, turn the temperature controller in the **cold** direction.



**Note:** At a room temperature above 32 °C, slightly reduce the temperature setting in the appliance.

At a room temperature below 16 °C, slightly increase the temperature setting in the appliance.

### Setting the freezer compartment temperature

- Press °C repeatedly until the temperature display shows the required temperature.

The recommended temperature in the freezer compartment is –18 °C.

## Additional functions

Find out which additional functions can be used for your appliance.

### Super freezing

With Super freezing, the freezer compartment cools as cold as possible. Switch on Super freezing four to six hours before placing food weighing 2 kg or more into the freezer compartment.

In order to utilise the freezer capacity, use Super freezing.

→ *"Prerequisites for freezing capacity", Page 18*

**Note:** When Super freezing is switched on, increased noise may occur.

### Switching on Super freezing

- Press °C repeatedly until **super** lights up.

**Note:** After approx. 54 hours, the appliance switches to normal operation.

### Switching off Super freezing

- Press °C repeatedly until the temperature display shows the required temperature.

## Energy-saving mode

You can set the appliance to save energy with the energy-saving mode. The appliance automatically sets the temperatures.

Refrigerator compartment	Temperature remains unchanged
Freezer compartment	-16 °C

### Switching on energy-saving mode

- Press °C repeatedly until **eco** lights up.

### Switching off energy-saving mode

- Press °C repeatedly until the temperature display shows the required temperature.

## Alarm

### Door alarm

If the appliance door is open for a while, the door alarm switches on. A warning tone sounds.

### Switching off the door alarm

- Close the appliance door.
- The warning tone is switched off.

### Temperature alarm

If the freezer compartment becomes too warm, the temperature alarm is switched on.

A warning tone sounds and the temperature display flashes.

### CAUTION: Risk of harm to health!

During the thawing process, bacteria may multiply and spoil the frozen food.

- Do not refreeze food after it has been defrosted or started to defrost.
- Refreeze food only after cooking.
- These items should no longer be stored for the maximum storage period.

The temperature alarm can be switched on in the following cases:

- The appliance is switched on.

Do not store any food until the appliance has reached the set temperature.

- Large quantities of fresh food are being placed inside.

Switch on Super freezing before placing large quantities of food in the appliance.

- The freezer compartment door is open for too long.

Check whether the frozen food has defrosted or thawed.

### Switching off the temperature alarm

Press.°C

The warning tone is switched off.

## Refrigerator compartment

You can keep meat, sausage, fish, dairy products, eggs, prepared meals and pastries in the refrigerator compartment.

The temperature can be set from **cold** to **extra cold**.

The refrigerator compartment can also be used to store highly perishable foods in the short to medium term. The lower the selected temperature, the longer the food remains fresh.

### Tips for storing food in the refrigerator compartment

- Only store food when fresh and undamaged.
- Store food covered or in air-tight packaging.
- To avoid impeding the circulation of air and to prevent food from freezing, do not place food in front of the inner ventilation openings or in direct contact with the back wall.
- Allow hot food and drinks to cool down first before placing in the appliance.
- Observe the best-before date or use-by date specified by the manufacturer.

### Chill zones in the refrigerator compartment

The air circulation in the refrigerator compartment creates different chill zones.

#### Coldest zone

The coldest zone is on the top shelf.

**Tip:** Store highly perishable food such as fish, sausages and meat in the coldest zone.

#### Warmest zone

The warmest zone is at the very bottom of the door and in the lower vegetable container.

**Tip:** Store food that does not spoil easily in the warmest zone, e.g. hard cheese and butter. Cheese can then continue to release its aroma and the butter will still be easy to spread.

## Freezer compartment

You can store frozen food, freeze food and make ice cubes in the freezer compartment.

The temperature can be set from  $-16\text{ }^{\circ}\text{C}$  to  $-24\text{ }^{\circ}\text{C}$ .

Long-term storage of food should be at  $-18\text{ }^{\circ}\text{C}$  or lower.

The freezer compartment can be used to store perishable food longterm. The low temperatures slow down or stop the spoilage.

### Freezing capacity

The freezing capacity indicates the quantity of food that can be frozen right through to the centre within a specific period of time.

Information on freezing capacity can be found on the rating plate. → "Appliance", Fig.

 , Page 14

### Prerequisites for freezing capacity

1. Approx. 24 hours before placing fresh food in the appliance, switch on Super freezing.  
→ "Switching on Super freezing", Page 17
2. Place food in the bottom frozen food container first.

### Fully utilising the freezer compartment volume

Learn how to store the maximum amount of frozen food in the freezer compartment.

1. Remove all fittings from the freezer compartment. → Page 21
2. Store food directly on the shelves and on the floor of the freezer compartment.

### Tips for storing food in the freezer compartment

- Store food in air-tight packaging.
- Do not bring food which is to be frozen into contact with frozen food.
- Place the food over the whole area of the frozen food containers.
- To ensure that the air can circulate freely in the appliance, push the frozen food containers in as far as they will go.

### Tips for freezing fresh food

- Freeze fresh and undamaged food only.

- Freeze food in portions.
- Cooked food is more suitable than food that can be eaten raw.
- Vegetables: Wash, chop up and blanch before freezing.
- Fruit: Wash, pit and perhaps peel, possibly add sugar or ascorbic acid solution.
- Food that is suitable for freezing includes baked items, fish and seafood, meat, game, poultry, eggs without shells, cheese, butter and quark, ready meals and leftovers.
- Food that is unsuitable for freezing includes lettuce, radishes, eggs in shells, grapes, raw apples and pears, yoghurt, sour cream, crème fraîche and mayonnaise.

### Packing frozen food

If you select suitable packaging material and the correct type of packaging, you can determine the product quality and prevent freezer burn.

1. Place the food in the packaging.
2. Squeeze out the air.
3. Pack food airtight to prevent it from losing flavour and drying out.
4. Label the packaging with the contents and the date of freezing.

### Shelf life of frozen food at $-18\text{ }^{\circ}\text{C}$

Food	Storage time
Fish, sausages, prepared meals and baked goods	up to 6 months
Poultry, meat	up to 8 months
Vegetables, fruit	up to 12 months

The imprinted freezer calendar indicates the maximum storage duration in months at a constant temperature of  $-18\text{ }^{\circ}\text{C}$ .

### Defrosting methods for frozen food

#### CAUTION: Risk of harm to health!

During the thawing process, bacteria may multiply and spoil the frozen food.

- Do not refreeze food after it has been defrosted or started to defrost.
- Refreeze food only after cooking.
- These items should no longer be stored for the maximum storage period.

- Defrost animal-based food, such as fish, meat, cheese, quark, in the refrigerator compartment.
- Defrost bread at room temperature.
- Prepare food for immediate consumption in the microwave, in the oven or on the hob.

## Defrosting

### Defrosting in the refrigerator compartment

The refrigerator compartment in your appliance **defrosts automatically**.

### Defrosting in the freezer compartment

The fully automatic NoFrost system ensures that the freezer compartment remains frost-free. Defrosting is not required.

## Cleaning and servicing

To keep your appliance working efficiently for a long time, it is important to clean and maintain it carefully. Customer Service must clean inaccessible points. Cleaning by customer service can give rise to costs.

### Preparing the appliance for cleaning

#### 1. Disconnect the appliance from the power supply

Unplug the appliance from the mains or switch off the circuit breaker in the fuse box.

#### 2. Take out all of the food and store it in a cool place.

Place ice packs (if available) onto the food.

#### 3. Remove all fittings and accessories from the appliance. → *Page 21*

### Cleaning the appliance

#### **WARNING: Risk of electric shock!**

An ingress of moisture can cause an electric shock.

- Do not use steam- or high-pressure cleaners to clean the appliance.

Liquid in the lighting, controls or inner ventilation openings can be dangerous.

- The rinsing water must not drip into the lighting, controls or inner ventilation openings.

**ATTENTION!** Unsuitable cleaning products may damage the surfaces of the appliance.

- Do not use hard scouring pads or cleaning sponges.

- Do not use harsh or abrasive detergents.
- Do not use cleaning products with a high alcohol content.

If you clean fittings and accessories in the dishwasher, this may cause them to become deformed or discolour.

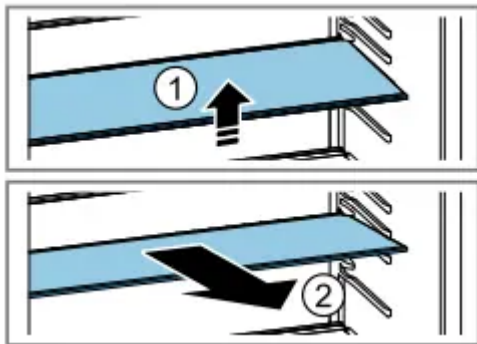
- Never clean fittings and accessory in the dishwasher.
1. Prepare the appliance for cleaning. → *Page 20*
  2. Clean the appliance, the fittings, the accessories and the door seals with a dish cloth, lukewarm water and a little pH-neutral washing-up liquid.
  3. Dry thoroughly with a soft, dry cloth.
  4. Insert the fittings.
  5. Electrically connect the appliance. → *Page 12*
  6. Putting the food into the appliance.

## Removing the fittings

If you want to clean the fittings thoroughly, remove these from your appliance.

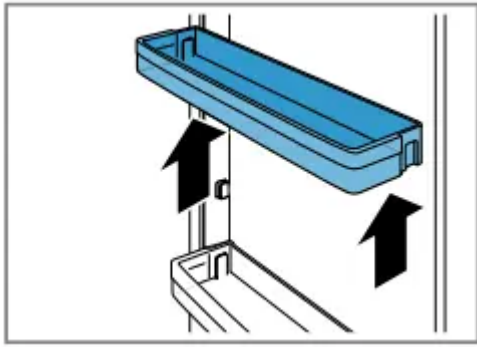
## Removing the shelf

- Lift the shelf at the front ①, pull it out and remove it ②.



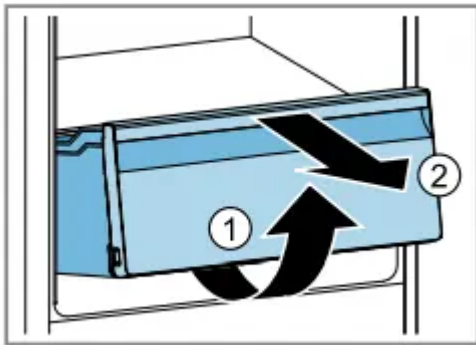
## Removing door rack

- Lift the door rack and remove it.



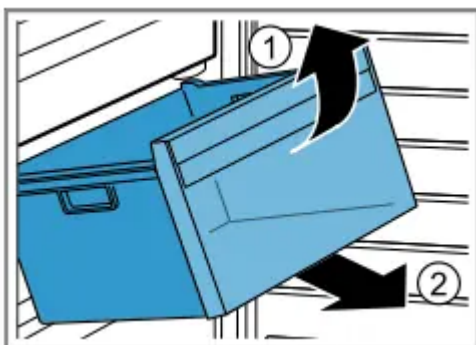
### Removing the fruit and vegetable container

1. Pull out the fruit and vegetable container as far as it will go.
2. Lift the fruit and vegetable container at the front ① and remove it ②.



### Removing the frozen food container

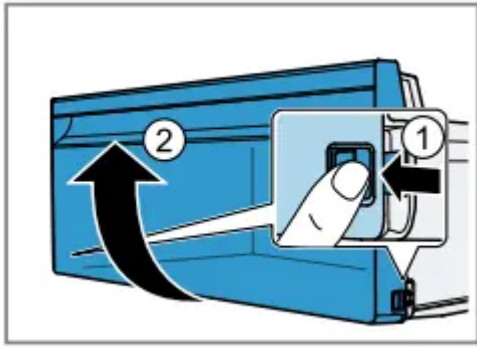
1. Take out the frozen food container as far as it will go.
2. Lift the frozen food container at the front ① and remove it ②.



### Removing the front of the container

You can remove the front of the fruit and vegetable container to facilitate cleaning.

- Press in the snap-in hooks on the side of the container ① and remove the front from the container in a turning motion ②.



## Troubleshooting

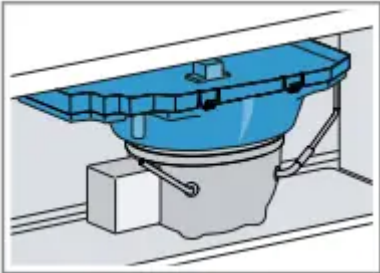
You can rectify minor faults on your appliance yourself. Read the troubleshooting information before contacting after-sales service. This will avoid unnecessary costs.

### **WARNING: Risk of electric shock!**

Improper repairs are dangerous.

- Repairs to the appliance should only be carried out by trained specialist staff.
- Only use genuine spare parts when repairing the appliance.
- If the power cord of this appliance is damaged, it must be replaced by the manufacturer, the manufacturer's Customer Service or a similarly qualified person in order to prevent any risk.

Fault	Cause and troubleshooting
<p>The appliance is not cooling, the displays and lighting are lit.</p>	<p>Showroom mode is switched on.</p> <ol style="list-style-type: none"> <li>1. Press and hold °C for 5 seconds until an audible signal sounds.</li> <li>2. Switch the appliance off and on again, and check whether it is cooling.</li> </ol>
<p>The LED lighting does not work.</p>	<p>Different causes are possible.</p> <p>Call customer service.</p> <p>The customer service number can be found in the enclosed customer service directory.</p>
<p>Side panels of the appliance are warm.</p>	<p>Not a fault. The side panels contain pipes which heat up during the cooling process. Units touching the appliance will not be damaged by the heat. No action required.</p>
<p>The warning tone sounds.</p> <p>The door alarm is switched on.</p>	<p>The appliance door is open.</p> <p>Close the appliance door</p>
<p>A warning tone sounds and the temperature display flashes.</p> <p>The temperature alarm is switched on</p>	<p>Different causes are possible.</p> <p>Press °C .</p> <p>The alarm is switched off.</p>
	<p>External ventilation openings are covered up.</p> <p>Remove any obstructions from in front of the external ventilation openings.</p>
	<p>Larger quantities of fresh food have been put in.</p> <p>Do not exceed the max. freezing capacity.</p> <p>→ "Freezing capacity", Page 18</p>
<p>The set temperature is not reached.</p>	<p>The freezer compartment door was open for a long time. The evaporator (refrigeration unit) in the noFrost system is heavily iced up.</p>

<p>Fully automatic defrosting no longer works.</p>	<p><b>Requirement:</b> Store the frozen food well insulated in a cool place.</p> <ol style="list-style-type: none"> <li>1. Switch off the appliance. → <i>Page 16</i></li> <li>2. Disconnect the appliance from the mains. <ul style="list-style-type: none"> <li>Unplug the appliance from the mains or switch off the circuit breaker in the fuse box.</li> </ul> </li> <li>3. Move the appliance away from the wall.</li> <li>4. Leave the appliance door open. <ul style="list-style-type: none"> <li>After approx. 20 minutes, the condensation starts to run into the evaporation pan at the rear of the appliance.</li> </ul> </li> </ol>  <ol style="list-style-type: none"> <li>5. To prevent the evaporation pan from overflowing, mop up the condensation water with a sponge. <ul style="list-style-type: none"> <li>The evaporator is defrosted if no more condensation water runs into the evaporation pan.</li> </ul> </li> <li>6. Clean the interior of the appliance. → <i>Page 20</i></li> <li>7. Switch the appliance back on. → <i>Page 15</i></li> </ol>
<p>The temperature differs greatly from the setting.</p>	<p>Different causes are possible.</p> <ol style="list-style-type: none"> <li>1. Switch off the appliance. → <i>Page 16</i></li> <li>2. Switch the appliance back on after five minutes. → <i>Page 15</i> <ul style="list-style-type: none"> <li>– If the temperature is too warm, check the temperature again after a couple of hours.</li> <li>– If the temperature is too cold, check the temperature again on the following day</li> </ul> </li> </ol>
<p>Condensation accumulates on the surface of the</p>	

<p>appliance and on the shelves inside.</p>	<p>The water contained in warm and humid air condenses on the colder surfaces of the appliance.</p> <ol style="list-style-type: none"> <li>1. Wipe away the water with a soft, dry cloth.</li> <li>2. Open the appliance as briefly as possible.</li> <li>3. Ensure that the appliance is always closed properly.</li> </ol>
<p>The appliance hums, bubbles, buzzes, gargles, clicks or crackles.</p>	<p>Not a fault. A motor is running, e.g. refrigerating unit, fan. Refrigerant flows through the pipes. The motor, switches or solenoid valves are switching on or off. Automatic defrosting is running.</p> <p>No action required.</p>
<p>The appliance makes noises.</p>	<p>The appliance is not level.</p> <p>Align the appliance using a spirit level and the screw feet.</p>
	<p>The appliance is not free-standing.</p> <p>Observe the minimum clearances for the appliance.</p>
	<p>Fittings wobble or stick.</p> <p>Check the removable fittings and, if required, replace these.</p>
	<p>Bottles or containers are touching.</p> <p>Move the bottles or containers away from each other.</p>
	<p>Super freezing is switched on.</p> <p>No action required.</p>

## Power failure

During a power failure, the temperature in the appliance rises; this reduces the storage time and the quality of the frozen food.

On the website for your appliance, the technical data provides you with the storage times for frozen food in the event of a fault.

## Notes

- Open the appliance as little as possible during a power failure and do not place any other food in the appliance.
- Check the quality of the food immediately after a power failure.
- Dispose of any frozen food that has defrosted and is hotter than 5 °C.
- Cook or fry slightly thawed frozen food, and then either consume it or freeze it again.

## Storage and disposal

### Taking the appliance out of operation

1. Disconnect the appliance from the power supply.

Unplug the appliance from the mains or switch off the circuit breaker in the fuse box.

2. Remove all of the food.

3. Clean the appliance. → *Page 20*

4. To guarantee the ventilation inside the appliance, leave the appliance open.

### Disposing of old appliance

Valuable raw materials can be reused by recycling.

#### **WARNING: Risk of harm to health!**

Children can lock themselves in the appliance, thereby putting their lives at risk.

- Leave shelves and containers inside the appliance to prevent children from climbing in.
- Keep children away from the redundant appliance.

#### **WARNING: Risk of fire!**

If the tubes are damaged, flammable refrigerant and harmful gases may escape and ignite.

- Do not damage the tubes of the refrigerant circuit or the insulation.

1. Unplug the appliance from the mains.
2. Cut through the power cord.
3. Dispose of the appliance in an environmentally friendly manner. Information about current disposal methods are available from your specialist dealer or local authority.

This appliance is labelled in accordance with European Directive 2012/19/EU concerning used electrical and electronic appliances (waste electrical and electronic equipment - WEEE). The guideline determines the framework for the return and recycling of used appliances as applicable throughout the EU.

**Warning**

This content is compiled from multiple sources and is provided for reference purposes only. It may not be complete or fully applicable to all situations. If you are unable to resolve your issue, please contact the product manufacturer or an authorized service provider for official support.

---

Document generated by [ManualsFile](#)