

## *Installation*

### **Step 1: EXHAUST-AIR MODE**

#### Equipment Needed

- Drill and Bit
- Screwdriver
- Rubber Mallet

#### Equipment Included

- Anchors (4)
- Screws (4)
- Connector

#### **WARNING**

Turn off power circuit at service panel and lock out panel before wiring this appliance. Allow the appliance to cool after the power has been turned off before servicing the appliance.

Exhaust air should not be directed into a smoke or exhaust flue that is currently used for other purposes, nor into a shaft that is used for ventilating rooms in which stoves or fireplaces are also located.

Exhaust air must be discharged in accordance with official and statutory regulations only (e.g. national building regulations).

Local regulations must be observed when discharging air into smoke or exhaust flues that are not otherwise in use.

When the extractor hood is operated in exhaust-air mode simultaneously with a different burner which also makes use of the same chimney (such as gas, oil or coal-fired heaters, continuous-flow heaters, hot-water boilers), care must be taken to ensure that there is an adequate supply of fresh air, which will be needed by the burner for combustion.

Safe operation is possible provided that the under- pressure in the room where the burner is installed does not exceed 4 Pa (0.04 mbar).

This can be achieved if combustion air can flow through non-lockable openings, e.g. in doors, windows and via the air-intake/exhaust-air wall box or by other technical measures, such as reciprocal interlocking, etc.

If the air intake is inadequate, there is a risk of carbon monoxide poisoning from combustion gases which are drawn back into the room.

An air-intake/exhaust-air wall box by itself is no guarantee that the limiting value will not be exceeded.

**NOTE:** When assessing the overall requirement, the combined ventilation system for the entire household must be taken into consideration. This rule does not apply to the use of cooking appliances, such as hobs and ovens.

### **IMPORTANT SAFETY INSTRUCTIONS**

- When attaching the outer wall blower, ensure that it is accessible for maintenance and repairs.
- The plug-and-socket connections of the electric cables must be located inside the building, according to local code.
- DO NOT reduce the 10" (254 mm) diameter of the ducting connected to the extractor hood except when used with downdraft systems.
- DO NOT install the blower
  - near flammable materials.
  - in rooms which may contain gas or other fuels.

### **Step 2: PREPARING THE WALL**

- The wall must be flat and perpendicular.
- Ensure that the wall is capable of providing a firm hold for mounting screws and anchors.

Weight: 17.8 kg / 39 lbs

Technical Information

Electrical Requirements: 120 V; 60 Hz, max. 8.5 A

Duct Size: 10" (254 mm)

### **Step 3: INSTALLATION**

1. Hold the blower on the wall.

Note the direction of the air conduction.

2. Mark the 4 mounting boreholes.

- At least one screw must be installed through a stud.
- All hardware must be suitable for the wall's construction materials.
- Ensure the air outlet points downward.

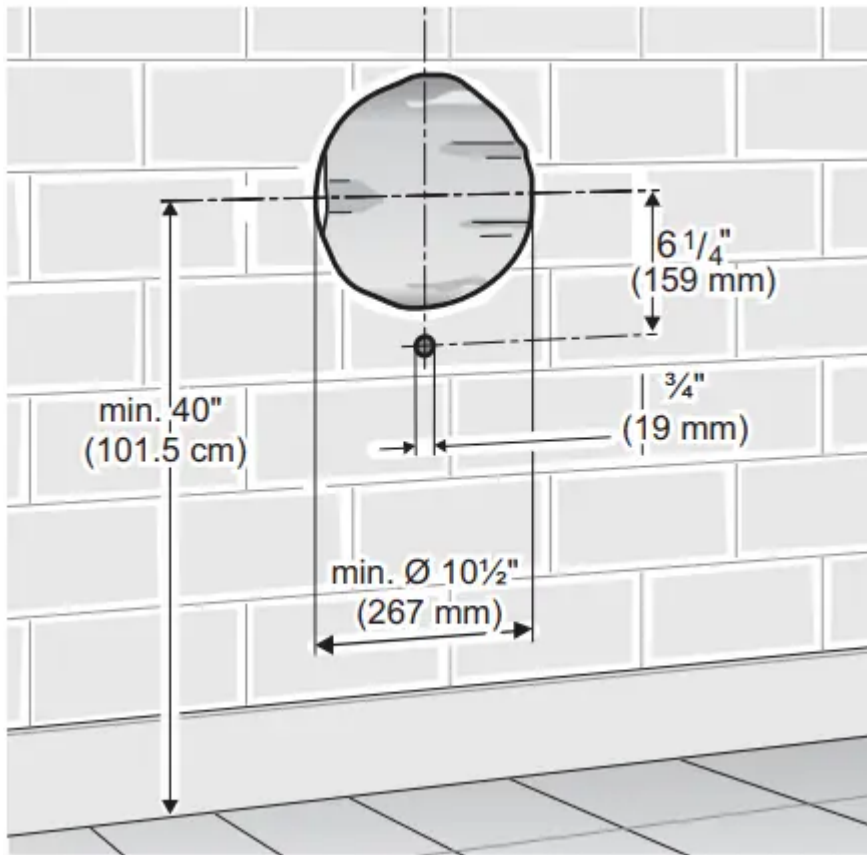
3. Wall break:

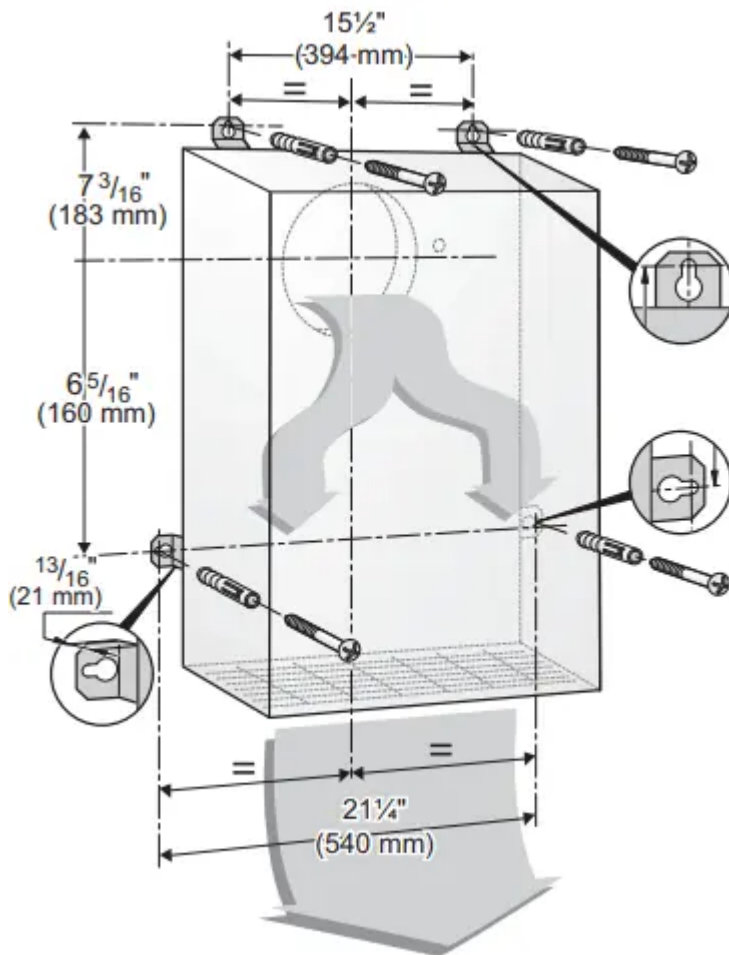
Mark and drill a guide hole and a separate hole for electrical conduit.

4. Drill the 4 x ¼" (6,3 mm) Ø mounting boreholes.

Insert wall anchors and screw the blower to the wall.

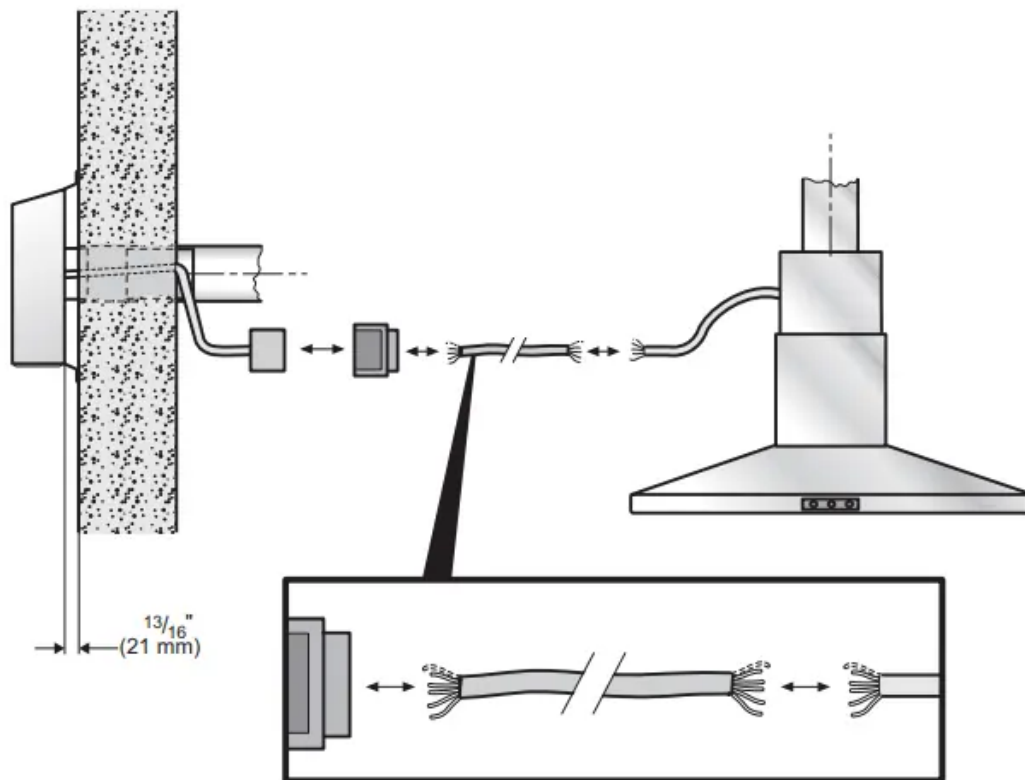
5. Connect the ducting from the blower to the extractor hood and feed to the outside.





6. Connect the blower to the extractor hood with an extension cable if required.  
Use the added connector to hard-wire to the blower, if required.  
Use the wire diagram for connecting.





**NOTE:** Confirm that the blower is securely attached to the wall and all connections are secure.

**NOTE:** The unit can also be installed on the roof in combination with a roof plate accessory (RFPLT600P or RFPLT1000P). Ask your retailer or contact the Thermador Customer Service Team at 1-800-735-4328.

**WARNING**

- The additional cover on the plug must always be attached and closed for safety reasons.
- Not needed wires must be isolated, capped with wire nuts and stored in a safe position.

**Safety**

IMPORTANT SAFETY INSTRUCTIONS READ AND SAVE THESE INSTRUCTIONS

INSTALLER: Save these instructions for the local electrical inspector's use. Please leave these instructions with this unit for the owner. Show the owner the location of the circuit breaker or fuse. Mark it for easy reference.

OWNER: Please retain these instructions for future reference.

Check if this blower is recommended by the manufacturer to be installed with the hood.

**WARNING**

If the information in this manual is not followed exactly, fire or shock may result causing property damage or personal injury.



## **WARNING**

To avoid electrical shock hazard, before installing, switch power off at the service panel and lock the panel to prevent the power from being switched on accidentally.

## **CAUTION**

FOR GENERAL VENTILATING USE ONLY. DO NOT use to exhaust hazardous or explosive materials and vapors.

## **WARNING**

To reduce the risk of fire or electric shock, do not use this blower with any solid-state speed control device.

## **WARNING**

This appliance must be grounded. Improper grounding can result in a risk of electric shock. Consult a qualified electrician if the grounding instructions are not completely understood, or if doubt as to whether the appliance is properly grounded.

## **WARNING**

TO REDUCE THE RISK OF FIRE, ELECTRIC SHOCK, OR INJURY TO PERSONS,  
OBSERVE THE FOLLOWING:

- Installation work and electrical wiring must be done by qualified person(s) in accordance with all applicable codes and standards, including fire-rated construction.
- Sufficient air is needed for proper combustion and exhausting of gases through the flue (chimney) of fuel burning equipment to prevent back drafting. Follow the heating equipment manufacturer's guideline and safety standards such as those published by the National Fire Protection Association (NFPA), and the American Society for Heating, Refrigeration and Air Conditioning Engineers (ASHRAE), and the local code authorities.
- USE ONLY METAL DUCTWORK.
- To reduce risk of fire and to properly exhaust air, be sure to duct air outside. DO NOT vent exhaust air in spaces with walls or ceilings or into attics, crawl spaces or garages.
- When cutting or drilling into wall or ceiling, do not damage electrical wiring and other hidden utilities.

### **Warning**

This content is compiled from multiple sources and is provided for reference purposes only. It may not be complete or fully applicable to all situations. If you are unable to resolve your issue, please contact the product manufacturer or an authorized service provider for official support.

