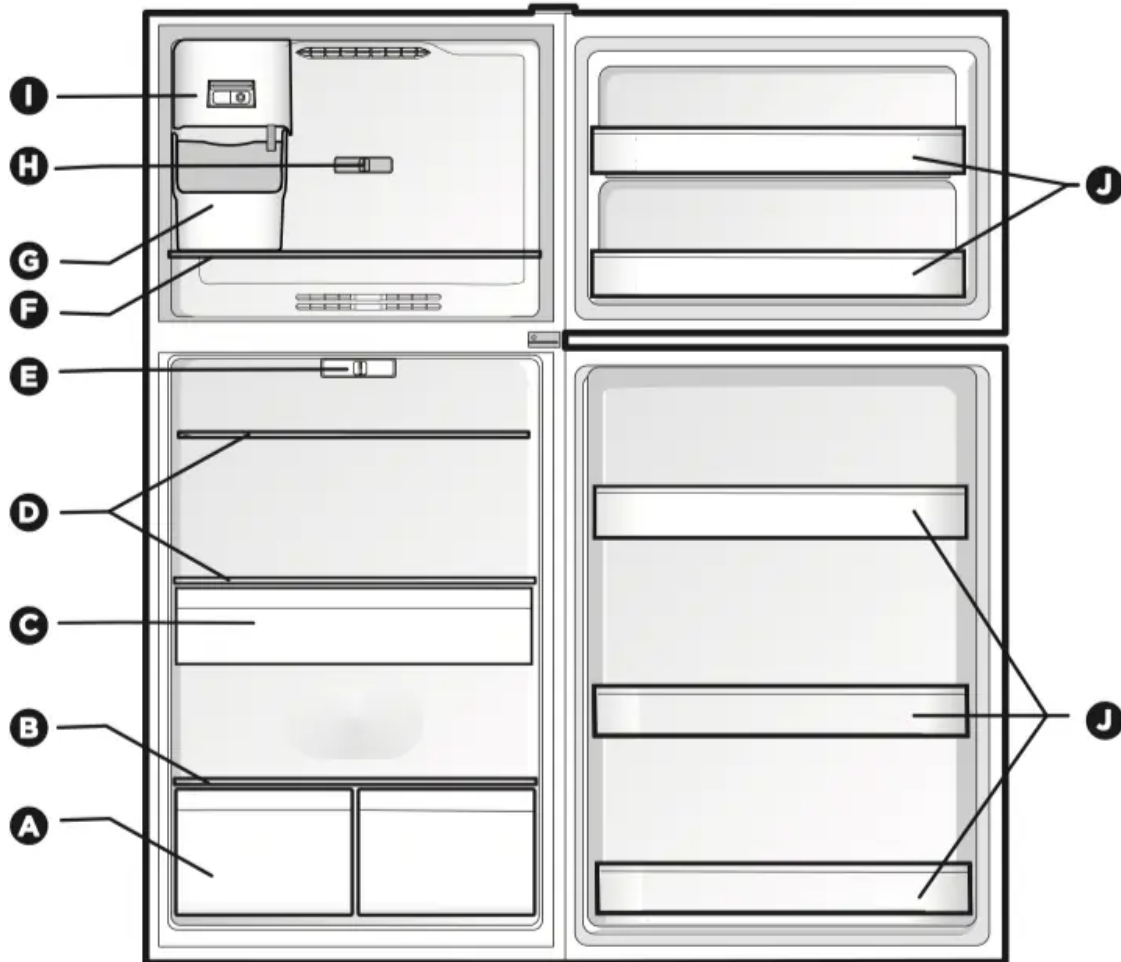


## FEATURES

\*Features may vary according to model



A Crisper Drawers

B Crisper Cover

C Deli Drawer\*

D Full Shelves

E Refrigerator Control

F Freezer Shelf

G Ice Bucket\*

H Freezer Control

I Ice Maker\*

J Fixed Door Bins

## IMPORTANT

Accessories are available for your appliance and may be purchased at Frigidaire.com or by calling 1-800-374-4432 (Frigidaire or 1-800-265-8352 in Canada) or from an authorized seller.

## ICE MAKER

### NOTE

Automatic ice makers are optional accessories that you may install in most models at any time. Visit frigidaire for information about Ice Maker Kit 117000.


If your refrigerator has an automatic ice maker, it will produce minimal ice during the first 24 hours of operation. Air in new plumbing lines may cause the ice maker to cycle 2 or 3 times before making a full tray of ice. With no usage, it will take approximately 1 to 2 days to fill the ice container.

New plumbing connections may cause the first production of ice cubes to be discolored or have an odd flavor. Discard ice made during the first 24 hours.


### IMPORTANT

The ice maker is shipped in the On position. To ensure proper function for your ice maker, hook up the water supply immediately or turn the ice maker Off. If the ice maker is on and the water supply is not connected, the water valve will make a loud chattering noise.

### Turning your Ice Maker On

After completely connecting the plumbing, you must open the water supply valve. Place the ice container under the ice maker, pushing it as far back as possible. Press the ice maker's On/Off  button.

### Turning your Ice Maker Off

To stop the ice maker, press the ice maker's On/Off  button. The ice maker regulates the ice production and stops making ice when full and starts again when ice is low in the ice container.

## ICE PRODUCTION: WHAT TO EXPECT

The ice maker will produce 2 to 2.5 pounds of ice every 24 hours depending on usage conditions. Ice is produced at a rate of 10 cubes every 100 to 160 minutes.

### CAUTION

Do Not place the ice container in your dishwasher.

## CONTROLS AND SETTINGS

### Cool Down Period

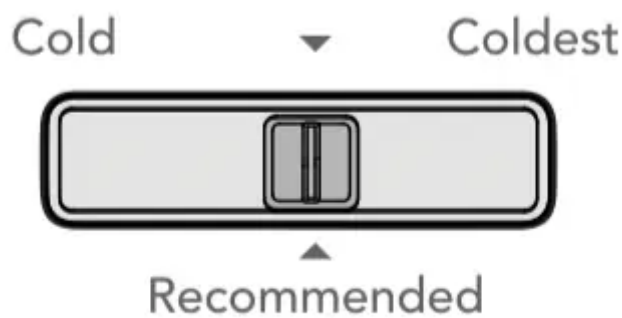
To ensure safe food storage, allow the refrigerator for at least 8 hours before loading it with food.

#### NOTE

When first turning the refrigerator on, adjust the control to Recommended. After 24 hours, adjust the controls as needed.

### Freezer Control

#### All Models



#### NOTE

If your unit is in a garage or area where the temperature is below 50° F, adjust the freezer control to the coldest setting to improve performance.

### Refrigerator Controls

#### Frigidaire



#### IMPORTANT

Adjusting the refrigerator temperature control to OFF turns off the compressor and prevents the refrigerator from cooling, but does not disconnect the power to the light bulb and other electrical

components. To turn off power to your refrigerator, you must unplug the power cord from the wall outlet.

### Temperature Adjustment

Adjust the temperature gradually: adjust the knob in small increments, allowing the temperature to stabilize.

- For colder temperatures, adjust the control toward Coldest.
- For warmer temperatures, adjust the control toward Cold.

Adjusting the refrigerator control will change temperatures in both compartments. The freezer control can be left at the factory preset (\*Recommended) or adjusted as desired.

To maintain temperature, a fan circulates air in the refrigerator and freezer compartments. For good circulation, do not block cold air vents with food items.

### Frigidaire Gallery and Professional



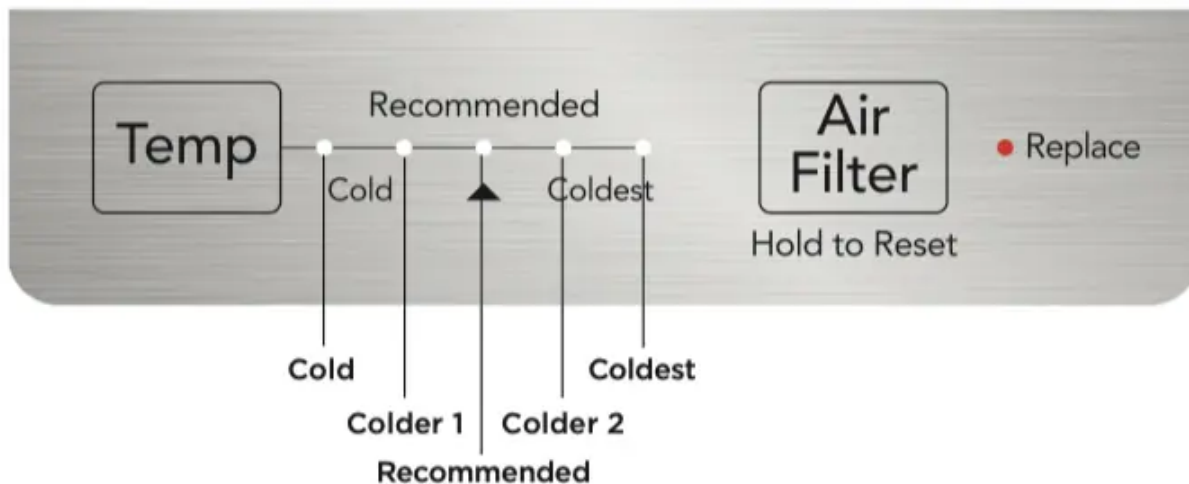
### Temperature Adjustment

Adjust the temperature gradually: adjust in small increments, allowing the temperature to stabilize.

- For colder temperatures, press the Temp button to change the temperature setting toward Coldest.
- For warmer temperatures, press the Temp button to change the temperature setting toward Cold.

### NOTE

Pressing the Temp button will scroll through the 5 temperature settings toward the coldest setting, and then loop back to the least coldest setting.



Adjusting the refrigerator control will change temperature in both compartments. The freezer control can be left at the factory preset (\*Recommended) or adjusted as desired.

To maintain temperatures, a fan circulates air in the refrigerator and freezer compartments. For good circulation, do not block cold air vents with food items.

### **Air Filter**

The filter status light on the control panel will prompt you to replace the filter after 6 months. After replacing the air filter, the air filter status on the control panel should be reset. To reset, Press and hold for 3 seconds.

### **Door Alarm**

If the door is left open for 5 or more minutes, the door alarm will sound. Clear the alarm by closing the door or by pressing any button.

### **Sabbath Mode (Frigidaire Gallery/Professional)**

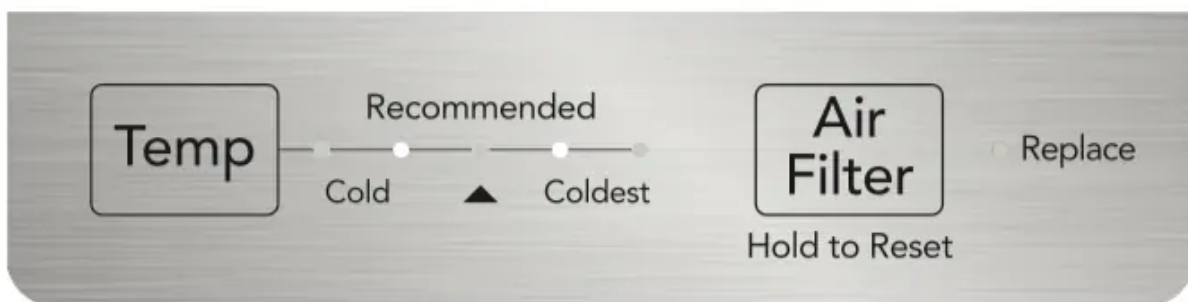
The Sabbath Mode is a feature that disables portions of the refrigerator and its controls in accordance with observance of the weekly Sabbath and religious holidays within the Orthodox Jewish community.

#### **NOTE**

The temperature setting is not affected by the Sabbath Mode.

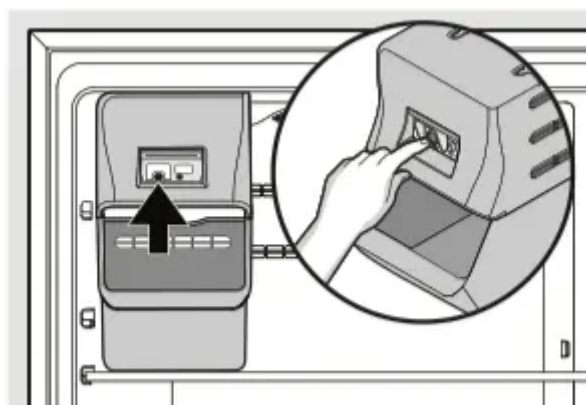
#### **To enter Sabbath Mode**

1. Press and hold the Temp and Air Filter buttons for 5 seconds.



One LED on each side of Recommended setting will be lit while the unit is in Sabbath mode.

2. Press the ice maker's On/Off power switch to turn the ice maker off. The LED will not be illuminated.



**NOTE**

Although you have entered the Sabbath Mode, the ice maker will complete the cycle it had already initiated. The ice cube compartment will remain cold and you can make new ice cubes with standard trays.

**To exit**

Sabbath Mode, reverse the steps above.

**NOTE**

While in Sabbath Mode, neither the lights nor the control panel will work until Sabbath Mode is deactivated.

The refrigerator stays in Sabbath Mode after power failure recovery. Deactivate It with the buttons on the control panel.

## STORAGE FEATURES

### Door Storage

Door bins, shelves, and racks conveniently store jars, bottles, and cans. You can quickly select frequently used items.



## Door Bin

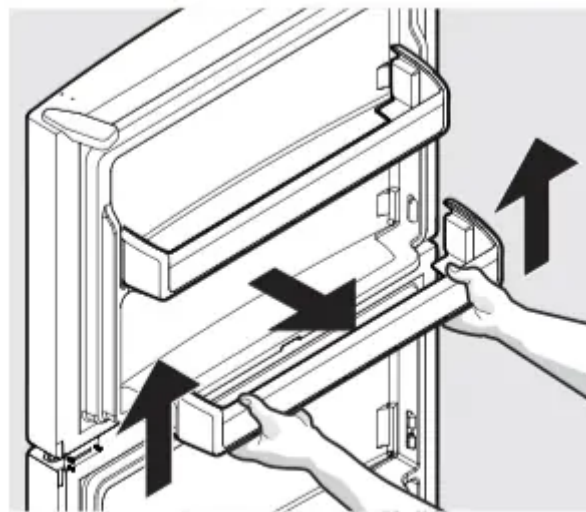
Door bins can accommodate gallon-sized plastic drink containers and economy-sized jars and containers.

### To remove the door bin:

1. Lift up on the bin
2. Pull it straight out.

### To install the door bin:

1. Push the bin back and down locking tabs.
2. The bin sides will lock into the tabs.



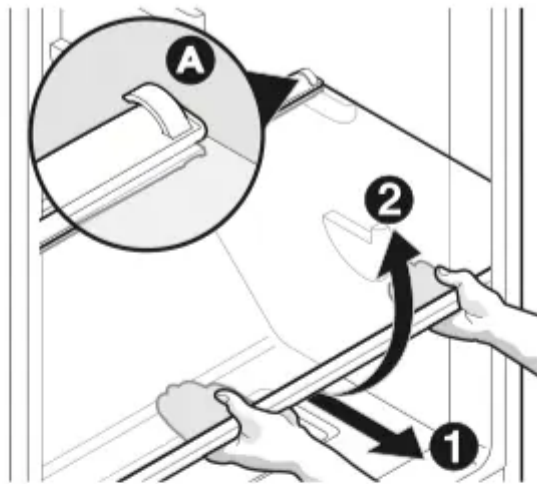
Door Bin

## Shelf Adjustment

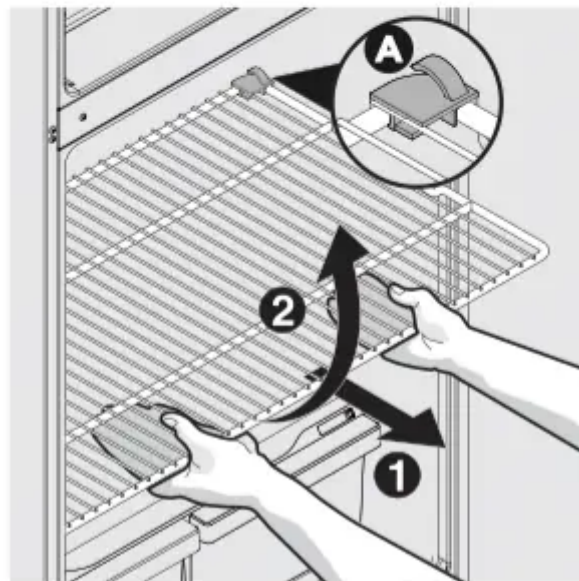
The shelves are easy to adjust to suit individual needs. Before adjusting the shelves, remove all food.

**To adjust shelves**, slide the shelf by moving it forward and lifting it upward.

**To replace shelves**, insert the rear of the shelf into any pair of shelf rails and carefully push the shelf back into position, making sure the shelf clips (A) go in the notch in the liner.



**Glass Shelf**



**Wire Shelf**

**CAUTION**

When reinstalling the shelf, ensure the shelf clip is attached to the liner and holds it in place.

**CAUTION**

Do not clean glass shelves or covers with warm water when they are cold. Shelves and covers may break if exposed to sudden temperature changes or impact, such as bumping. Tempered glass is designed to shatter into many small, pebble-size pieces. This is normal. Glass shelves and covers are heavy. Use both hands when removing them to avoid dropping.

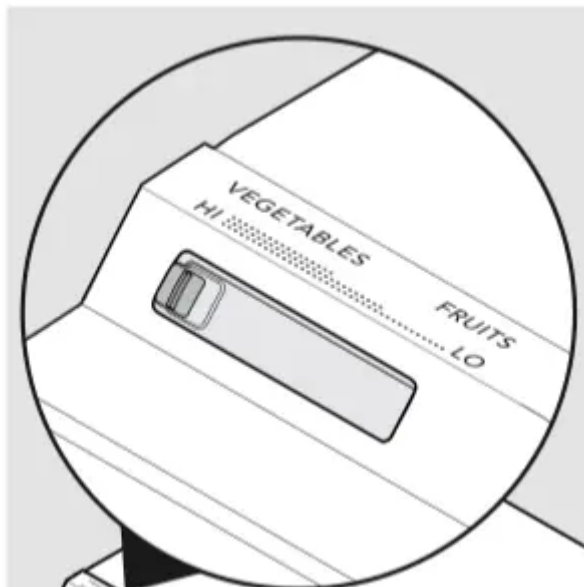
**CAUTION**

To avoid personal injury or property damage, handle tempered glass shelves carefully. Shelves may break suddenly if nicked, scratched, or exposed to sudden temperature change.

## Crisper Humidity Control

(some models)

The crisper humidity control, present on the crisper drawers of some models, allows you to adjust the humidity within the crisper. This can extend the life of fresh vegetables that keep best in high humidity.



### NOTE

Leafy vegetables keep best when stored with the Humidity Control set on High Humidity, or in a drawer without a Humidity Control. This keeps incoming air to a minimum and maintains maximum moisture content. Store non-leafy vegetables and fruits still in their skins at the low humidity setting.

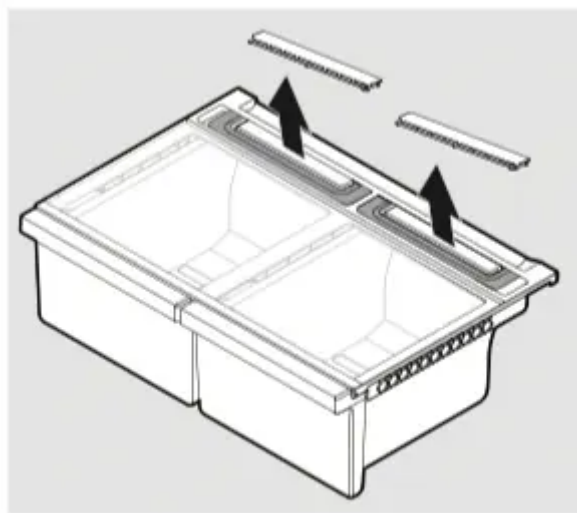
### Auto-Humidity Control

(some models)

Some crispers have an auto-humidity control at the rear of each crisper under the humidity control cover.

#### To remove the auto humidity control for cleaning:

1. Reach to the back of the humidity control cover.
2. Pull up on the cover.
3. Pull the cover toward the back of the cabinet and remove.
4. Clean the humidity control with hot soapy water.
5. Replace the clean humidity control cover by reversing the steps above. Repeat for both crispers.



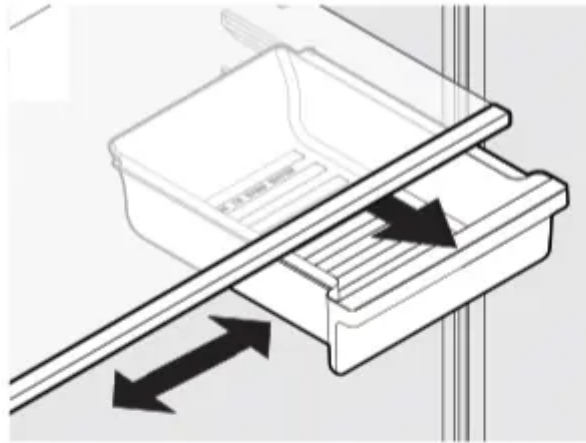
**Remove the auto humidity cover**

**NOTE**

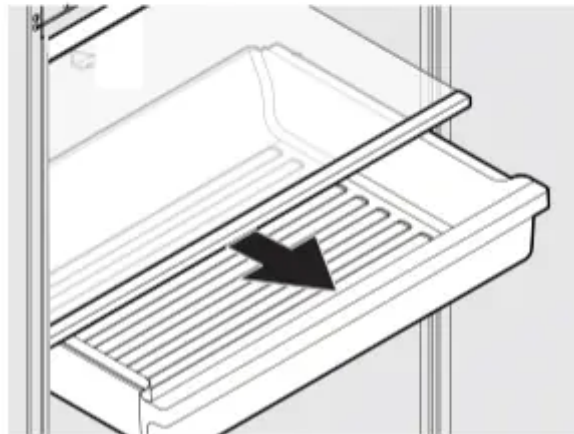
We do not recommend replacing the auto-humidity membrane unless it becomes damaged or ruined. If the membrane becomes soiled, it can be washed with soap and water. Ensure the membrane is dry before replacing it in the cover and back in the unit.

**Deli Drawer (some models)**

Use the deli drawer for storage of luncheon meats, spreads, cheeses, and other deli items. Please be sure to support the glass when removing the drawer.



**Half Width Deli Drawer**



**Full Width Deli Drawer**

## **NORMAL OPERATING SOUNDS**

### **Understanding the sounds you may hear**

Your new, high-efficiency refrigerator may introduce unfamiliar sounds. These sounds normally indicate your refrigerator is operating correctly. Some surfaces on floors, walls, and kitchen cabinets may make these sounds more noticeable.

#### **NOTE**

Rigid foam insulation is very energy efficient but is not a sound insulator.

Following is a list of major components in your refrigerator and the sounds they can cause:

A **Evaporator** Refrigerant through the evaporator may create a boiling or gurgling sound.

B **Evaporator fan** You may hear air being forced through the refrigerator by the evaporator fan.

C **Defrost heater** During defrost cycles, water dripping onto the defrost heater may cause a hissing or sizzling sound. After defrosting, a popping sound may occur.

## IMPORTANT

During the automatic defrost cycle, you may notice a red glow in the vents on the back wall of your freezer compartment. This is normal during the defrost cycle.

**D Automatic ice maker** When ice has been produced, you will hear ice cubes falling into the ice bin.

**E Condenser fan** You may hear air being forced through the condenser.

**F Compressor** Modern, high-efficiency compressors run much faster than in the past. The compressor may have a high-pitched hum or pulsating sound.

**G Water valve** If your refrigerator is equipped with an automatic ice maker, you will hear a buzzing sound as the water valve opens to fill the ice maker during each cycle.

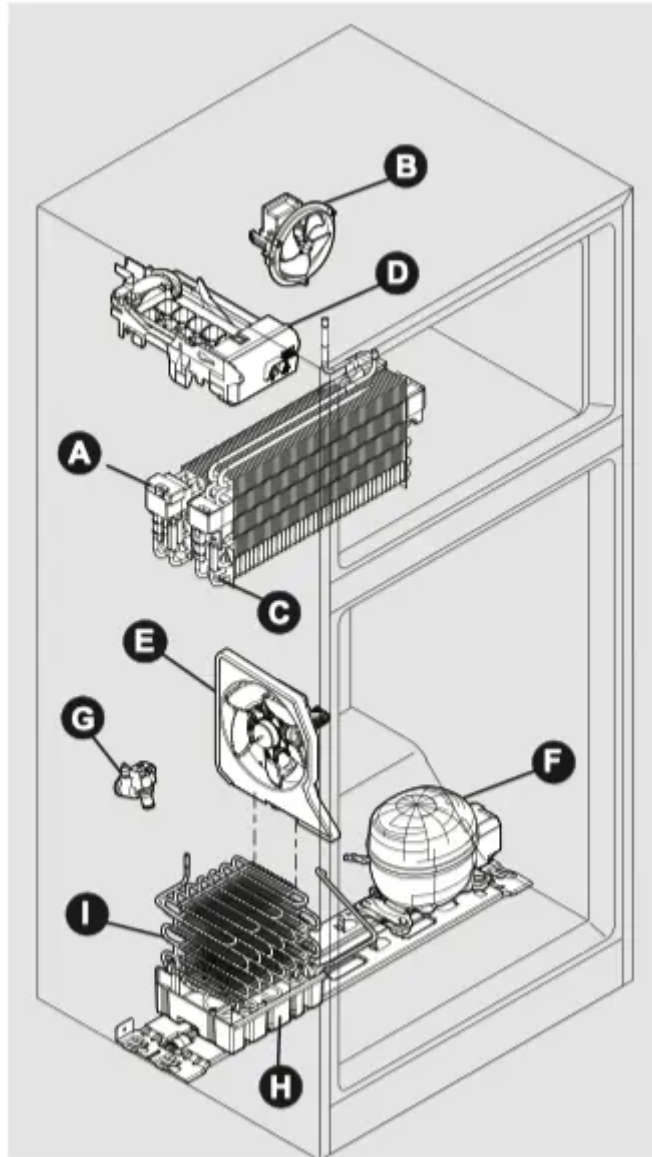
**H Drain pan** (not removable) You may hear water dripping into the drain pan during the defrost cycle.

**I Condenser** The condenser may create minimal sounds from forced air.

## IMPORTANT

### Ice Maker models only:

If the ice maker is not connected to the household water supply, you may hear a loud chattering noise. Turn off the ice maker by pressing the green ON/ OFF power switch (green LED light will turn off) until you install the water supply line.



## FILTER REPLACEMENT

### PureAir Ultra II™ Air Filter

Keep your refrigerator fresh with our PureAir Ultra II™ air filter's active carbon technology that absorbs and captures undesirable odors more effectively than baking soda. To ensure optimal filtering of refrigerator odors, change the filter every 6 months.

The air filter is located in the top center of the fresh food compartment.

For models with the filter housing already installed, you may purchase a PureAir Ultra II™ replacement filter (PAULTRA2) at frigidaire.

For models that are air filter ready, you will need to purchase a starter kit (BRPAULTRA2KIT) at frigidaire.

The kit includes:

- 1 Filter Housing
- 1 Air filter (PAULTRA2)

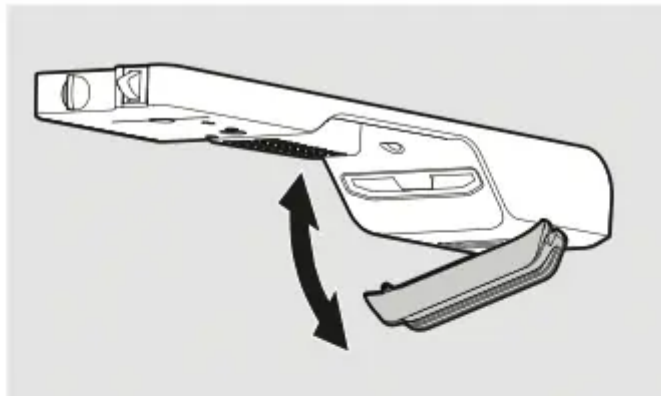
## NOTE

We recommend you always use genuine Frigidaire replacement filters only.

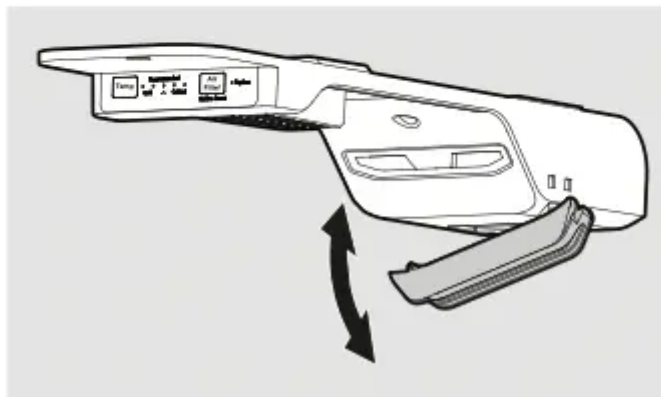
The air filter is located in the top center of the fresh food compartment.

## Replacing the PureAir Ultra II™ Air Filter

1. Unpack the new filter and snap it into the filter housing\*. The open face (black carbon media) of the filter should be installed facing outward in the cover.
2. Place the air filter housing in the refrigerator by snapping it into the back section of the control housing as shown.



**Air Filter Ready Starter Kit**



**Already Installed Air Filter Housing**

\*Some features of the filter housing may vary.

## IMPORTANT

For optimal performance, change the filter every 6 months.

# CARE AND CLEANING

## Protecting your investment

Keeping your refrigerator clean maintains appearance and prevents odor build-up. Wipe up any spills immediately and clean the freezer and refrigerator compartments at least twice a year. When cleaning, take the following precautions:

- Never use CHLORIDE or cleaners with bleach to clean stainless steel.
- Do not wash any removable parts in a dishwasher.
- Always unplug the electrical power cord from the wall outlet before cleaning.
- Remove adhesive labels by hand. Do not use razor blades or other sharp instruments which can scratch the appliance surface.
- Do not remove the serial plate.

Do not use abrasive cleaners such as window sprays, scouring cleansers, brushes, flammable fluids, cleaning waxes, concentrated detergents, bleaches or cleansers containing petroleum products on plastic parts, interior doors, gaskets or cabinet liners. Do not use paper towels, metallic scouring pads, or other abrasive cleaning materials or strong alkaline solutions.

### NOTE

If you set your temperature controls to turn off cooling, power to lights and other electrical components will continue until you unplug the power cord from the wall outlet.

### CAUTION

Pull the refrigerator straight out to move it. Shifting it from side to side may damage flooring. Be careful not to move the refrigerator beyond the plumbing connections.

### IMPORTANT

If you store or move your refrigerator in freezing temperatures, be sure to completely drain the water supply system. Failure to do so could result in water leaks when the refrigerator is put back into service. Contact a service representative to perform this operation.

### Care and Cleaning Tips

Part	What To Use	Tips and Precautions
<b>Interior &amp; Door Liners</b>	<ul style="list-style-type: none"> <li>• Soap and water</li> <li>• Baking soda and water</li> </ul>	<p>Use 2 tbsp of baking soda in 1 qt of warm water. Be sure to wring excess water out of sponge or cloth before cleaning around controls, light bulb or any electrical part.</p>
<b>Door Gaskets</b>	<ul style="list-style-type: none"> <li>• Soap and water</li> </ul>	<p>Wipe gaskets with a clean soft cloth.</p>
<b>Drawers &amp; Bins</b>	<ul style="list-style-type: none"> <li>• Soap and water</li> </ul>	<p>Use a soft cloth to clean drawer runners and tracks.</p>
<b>Glass Shelves</b>	<ul style="list-style-type: none"> <li>• Soap and water</li> <li>• Glass cleaner</li> <li>• Mild liquid sprays</li> </ul>	<p>Allow glass to warm to room temperature before immersing in warm water.</p>
<b>Exterior &amp; Handles</b>	<ul style="list-style-type: none"> <li>• Soap and water</li> <li>• Non Abrasive Glass Cleaner</li> </ul>	<p>Do not use commercial household cleaners containing ammonia, bleach or alcohol to clean handles. Use a soft cloth to clean smooth handles. DO NOT use a dry cloth to clean smooth doors.</p>
<b>Exterior &amp; Handles (Stainless Steel Models Only)</b>	<ul style="list-style-type: none"> <li>• Soap and water</li> <li>• Stainless Steel Cleaners</li> </ul>	<p>Never use CHLORIDE or cleaners with bleach to clean stainless steel.</p> <p>Clean stainless steel front and handles with non-abrasive soapy water and a dishcloth. Rinse with clean water and a soft cloth. Use a non-abrasive stainless steel cleaner. These cleaners can be purchased at most home improvement or major department stores. Always follow manufacturer's instructions. Do not use household cleaners containing ammonia or bleach.</p> <p>NOTE: Always clean, wipe and dry with the grain to prevent scratching. Wash the rest of the cabinet</p>



		with warm water and mild liquid detergent. Rinse well, and wipe dry with a clean soft cloth.
<b>Air Filter</b>	<ul style="list-style-type: none"> <li>• Order Air Filter Housing Kit BRPAULTRA2KIT, which includes a PureAir Ultra IITM air filter at <a href="http://www.frigidaire.com">www.frigidaire.com</a></li> </ul>	Our PureAir Ultra II TMair filter's active carbon technology absorbs and captures undesirable odors more effectively than baking soda.
<b>Replacing Light Bulbs</b>	<ul style="list-style-type: none"> <li>• Unplug appliance</li> <li>• Wear gloves</li> <li>• Remove light cover</li> <li>• Replace old bulb</li> <li>• Replace light cover</li> <li>• Plug in the appliance</li> </ul>	<p>CAUTION: Wear gloves when replacing the AC LED light bulbs to avoid getting cut. Use same wattage when replacing bulb.</p> <p>CAUTION: Use only a 5-watt or less AC LED light bulb.</p>

## TROUBLESHOOTING

Let us help you troubleshoot your concern! This section will help you with common issues. If you need us, visit our website, chat with an agent, or call us. We may be able to help you avoid a service visit. If you do need service, we can get that started for you!



<b>Common Occurrences</b>	
<b>Refrigerator does not run.</b>	<ul style="list-style-type: none"> <li>• Ensure the plug is tightly pushed into an electrical outlet.</li> <li>• Check/replace the fuse with a 15-amp time-delay fuse. Reset the circuit breaker.</li> <li>• The refrigerator control is turned to OFF.</li> <li>• Refrigerator may be in defrost cycle. Wait 20 minutes and check again.</li> </ul>
<b>Freezer temperature is colder than preferred. Refrigerator temperature is satisfactory.</b>	<ul style="list-style-type: none"> <li>• Set the auxiliary freezer control to a warmer setting until the freezer temperature is satisfactory. Allow 24 hours for the temperature to stabilize.</li> </ul>
<b>Refrigerator temperature is too cold. Freezer temperature is satisfactory.</b>	<ul style="list-style-type: none"> <li>• Set the refrigerator control to a warmer setting. Allow 24 hours for the temperature to stabilize. Then check the freezer temperature and adjust as needed.</li> </ul>
<b>Freezer temperature is warmer than preferred. Refrigerator temperature is satisfactory.</b>	<ul style="list-style-type: none"> <li>• Set the auxiliary freezer control to a colder setting until the freezer temperature is satisfactory. Allow 24 hours for the temperature to stabilize.</li> </ul>
<b>Refrigerator temperature is too warm. Freezer temperature is satisfactory.</b>	<ul style="list-style-type: none"> <li>• Set the refrigerator control to a colder setting. Allow 24 hours for temperature to stabilize. Then check refrigerator temperature and adjust as needed.</li> </ul>
<b>Refrigerator is noisy or vibrates.</b>	<ul style="list-style-type: none"> <li>• The cabinet is not level.</li> <li>• Floor is weak.</li> <li>• See the NORMAL OPERATING SOUNDS section.</li> </ul>
<b>Odors in the refrigerator.</b>	<ul style="list-style-type: none"> <li>• The interior needs to be cleaned.</li> <li>• Foods that produce odors should be covered or wrapped.</li> </ul>
<b>Cabinet light is not working.</b>	<ul style="list-style-type: none"> <li>• Replace with only a 5-watt or less AC LED light bulb.</li> </ul>



	<ul style="list-style-type: none"><li>• Ensure the plug is tightly pushed into an electrical outlet.</li><li>• The light switch may be stuck. Push in the light switch, located on the refrigerator side wall, to release.</li></ul>
<b>Automatic ice maker is not working (some models)</b>	<ul style="list-style-type: none"><li>• Ensure the ice maker is on (green light).</li><li>• The ice maker should produce 2 to 2.5 pounds of ice in a 24 hour period.</li><li>• Ensure the water supply is turned on.</li><li>• The water pressure may be too low.</li><li>• The freezer may not be cold enough.</li></ul>

**Warning**

This content is compiled from multiple sources and is provided for reference purposes only. It may not be complete or fully applicable to all situations. If you are unable to resolve your issue, please contact the product manufacturer or an authorized service provider for official support.

