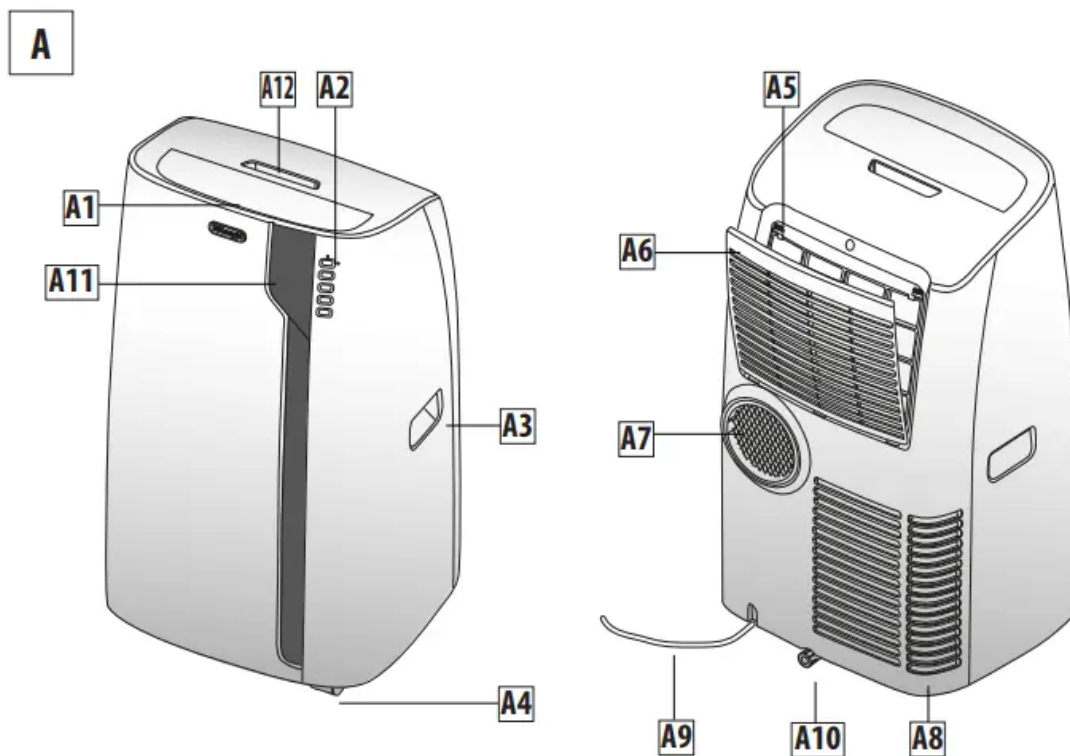


INTRODUCTION

Thank you for choosing a De'Longhi product. Please take a few moments to read the instructions to avoid risk and damage to the appliance.

DESCRIPTION

Description of the appliance

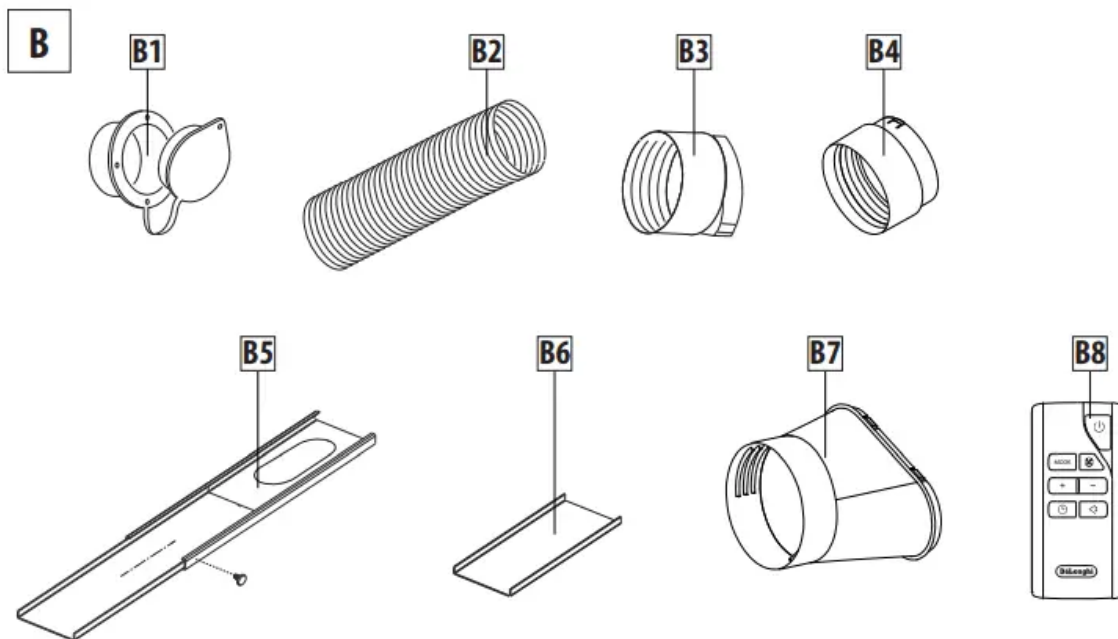


- A1** Airoutletgrille
- A2** Controlpanel
- A3** Handles
- A4** Wheels
- A5** Filter
- A6** Air intakegrille
- A7** Airexhaust hose housing
- A8** Air intakegrille
- A9** Power supplycable
- A10** Drainage hose with 2caps

A11 Remotecontrol signal receiver

A12 Remotecontrol compartment

Description of accessories



B1 Wall flange with cap

B2 Airexhaust hose

B3 Hoseadapter

B4 Wall mountingaccessory

B5 Window bracket

B6 Additional window bracket

B7 Window outlet

B8 Remotecontrol

Electrical connection

Before plugging the appliance into the outlet, checkthat:

- The outlet's power supply corresponds to the value indicatedon the rating label on the back of the appliance;
- The outlet and electrical circuit are adequate for the appliance;
- The outlet is a 3-hole grounded outlet (🔌) . If this is not the case,you must choose another outlet.Failure to follow these important safety instruction sabsolves the manufac-turer of all liability

If it becomes necessary, the power cable must be replaced by a qualified professional only

The instructions below will enable you to prepare your air conditioner for operation as efficiently as possible. Before use, make sure the air intake and outlet grilles are unobstructed.

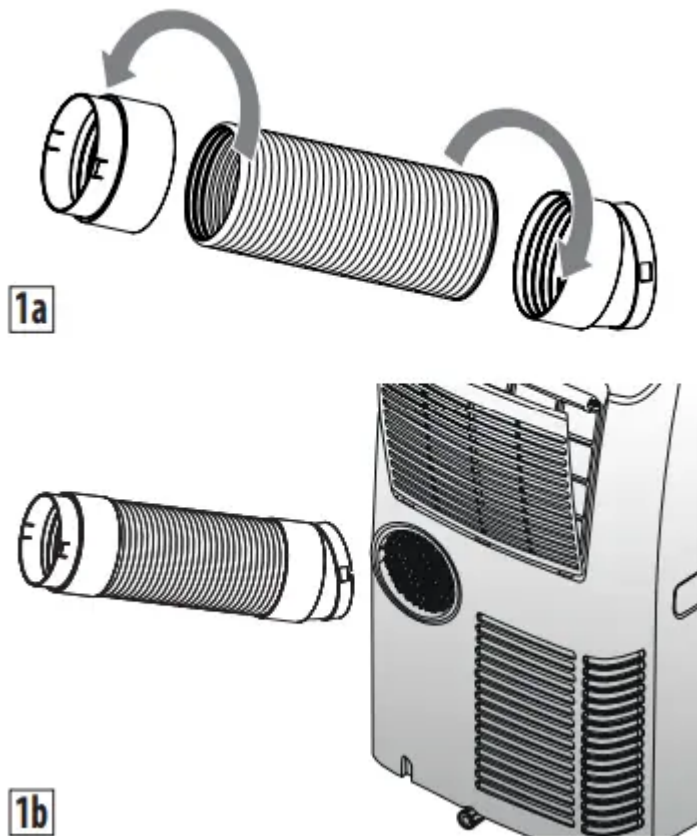
USE

NOTE: This appliance is provided with an auto-evaporation feature for condensate removal during cooling and de-humidifying modes.

AIR CONDITIONING WITH INSTALLATION

For optimal results set-up your appliance in this way:

- Screw the hose adaptor **B3** and **B4** to the hose's end **B2** as shown in figure 1a.
- Fit the assembled air exhaust hose **B2** in the housing at the back of the appliance. Insert it as shown in figure 1b.

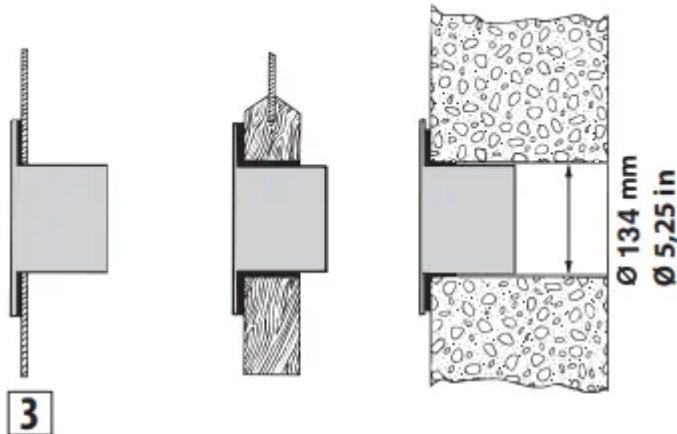


- Respect the distances given in figure 2.



2

- Drill a hole \varnothing 5,25 inches (134 mm) in an outside wall or through a window pane. Respect the dimensions and height of the hole given in figure 3 and 4.



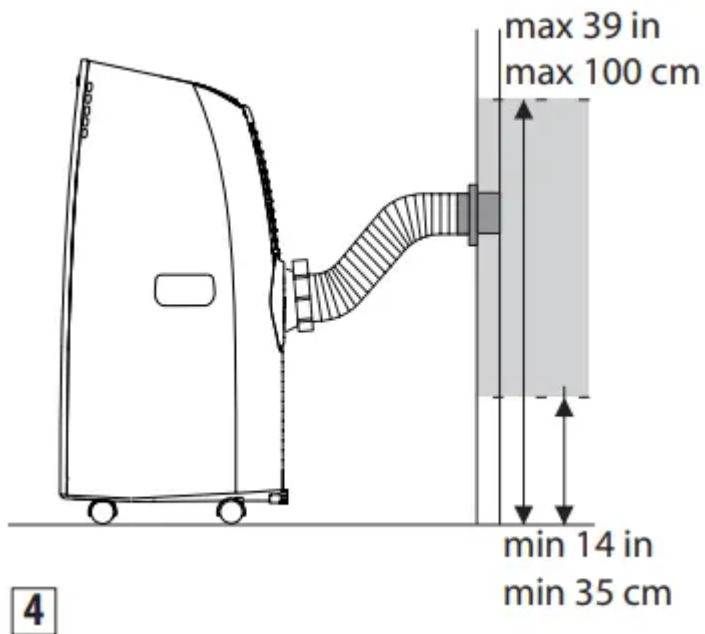
3

in the
window
panel

in the wooden
kickboard of a
French window

in the wall:
you are
recommended to
insulate the section
of wall using suitable
insulation.

- Fit the wall flange **B1** into the hole.
- Fit the hose with the wall mounting accessory **B4** into the wall flange **B1** as shown in fig. 4.
- Fit the end of the hose **B2** to the wall flange **B1** as shown in fig. 4.
- When the hose **B2** is not connected, the drilled hole can be closed with the flange cap **B1**.



- When installing the air conditioner, you should leave a door slightly open little as 1/2" (1 cm) to guarantee correct ventilation and room pressure.
- Keep the air hoses as short and free of curves as possible to avoid constrictions

NOTE: As special tools are required for installation, we suggest you have the appliance installed by specialized personnel.

AIR CONDITIONING WITHOUT INSTALLATION

You can also set-up in a double-hung window:

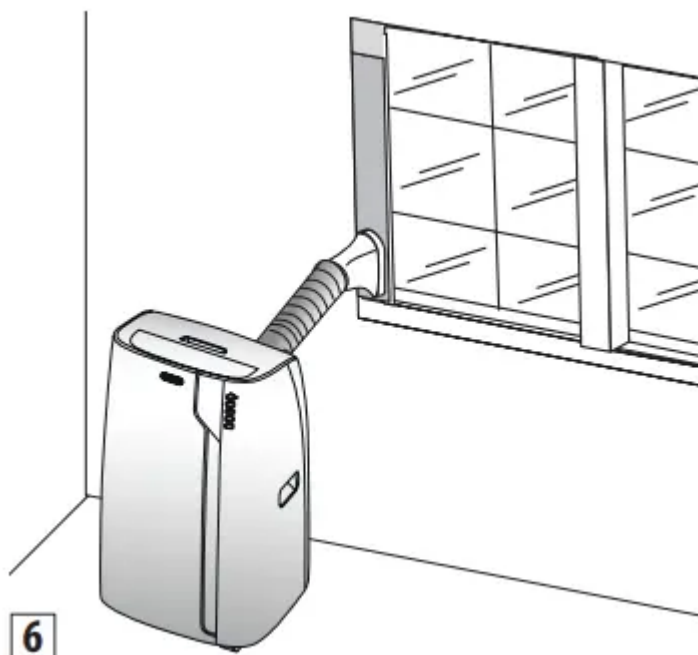
- Place the window bracket in the window sill, extend the bracket fully within the window frame, fix the bracket by using the pin then lower the window onto the bracket. (Should the window bracket be too large for the window. The plastic can be cut with a saw by a qualified professional.)
- Screw the hose adaptor **B3** to the hose's end **B2**.
- Fit the air exhaust hose **B2** in the relevant housing located on the rear side of the appliance. (fig.1).
- Screw the window outlet **B7** to the other end of the exhaust hose.
- Insert the window outlet **B7** of the exhaust hose into the slot of the window bracket (fig.5).



5

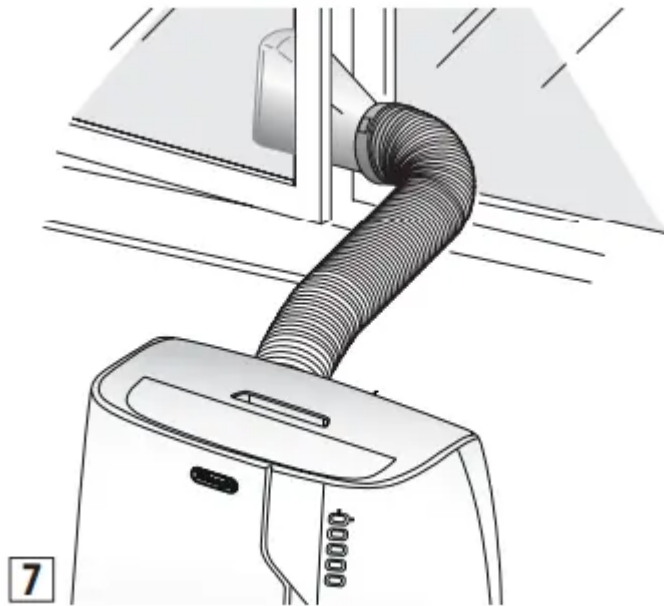
Other set-up methods:

- Thanks to the locking pins, it's possible to use the window bracket also for sliding windows. Position the hole of the bracket so to allow a correct installation of the exhaust hose (see figure 6).

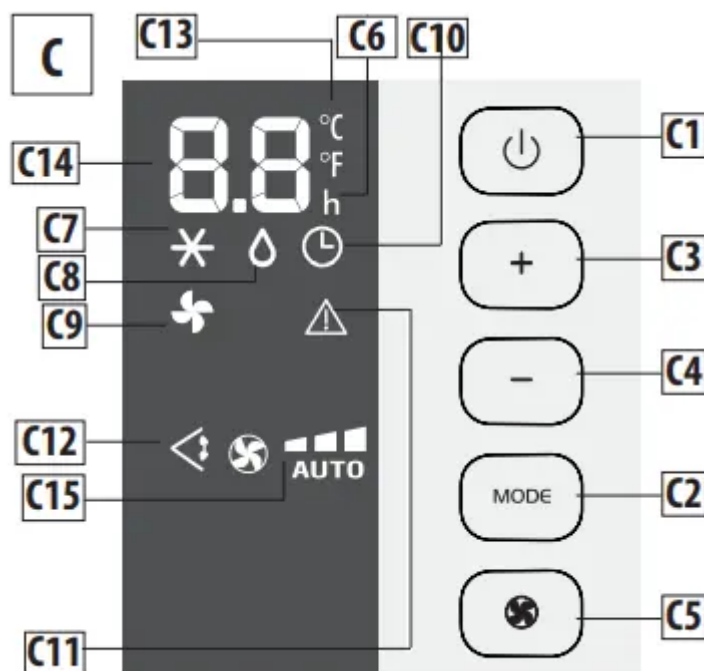


6

- If you have a casement window (figure 7) proceed as follows:
- Screw the hose adaptor B3 to the hose's end B2.
- Fit the assembled air exhaust hose B2 in the relevant housing located on the rear side of the appliance. (fig. 1) then, apply the window outlet B7 to the air exhaust hose B2 and place it outside the window to exhaust the hot air.



CONTROL PANEL



DESCRIPTION OF THE CONTROL PANEL (C)

- C1** ON/STAND-BY (on/off)key
- C2** Function selection key MODE (air conditioner, dehumidifier, fan)
- C3** Temperature increase key
- C4** Temperature decrease key

- C5** Fan speed selection key (MIN/MED/MAX/AUTO)
- C6** Hours indicator
- C7** Air conditioner symbol
- C8** Dehumidifier symbol
- C9** Fan symbol
- C10** Timer symbol
- C11** Alarm symbol
- C12** Swing symbol
- C13** Selected temperature scale indicator
- C14** Set temperature values ,programmed on/off time
- C15** Fan speed indicator


OPERATING FROM THE CONTROL PANEL


TURNING THE APPLIANCE ON/OFF




Before plugging the appliance check the cap on back of the unit are correctly inserted on drainage hose A10

Insert the plug in the socket. Two dashes appear on the display indicating that the appliance is in stand-by.

Touch the  (C1) key to turn on the appliance. The flap A1 will open after few seconds. When the appliance comes on, the last function set before it was shut off is activated.

NOTE: If start-up is not continued, after a few minutes the display light dims in order to reduce energy consumption. To turn the appliance off, touch the  key and then pull the plug.


NOTE: Never turn off the air conditioner by simply pulling the plug. Touch the  key in order to put your air conditioner in stand-by and wait a few minutes before pulling the plug. In this manner, the appliance can perform the operating status checks.

AIR CONDITIONING MODE



This is ideal for hot and humid weather when the room needs to be both cooled and dehumidified.

To correctly set this mode:

- Touch the MODE key until the air conditioning symbol appears. The display will show the desired temperature.
- To change the temperature to be reached, touch the + (C3) key or the  (C4) key.
- Select the desired fan speed by touching the key.

The speed available are:



Minimum speed: when maximum silent operation is desired.



Medium speed: when the noise level needs to be low but with a good comfort level



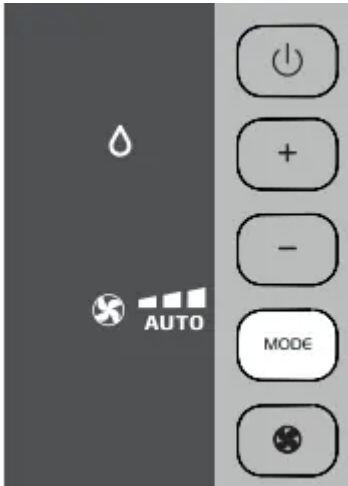
Maximum speed: to reach the desired temperature as soon as possible



The appliance automatically chooses the best fan speed based on the temperature selected and the environmental conditions.

The most suitable temperatures during the summer range from 75 to 81°F. However, setting the temperature significantly lower than the outdoor temperature is not recommended

DEHUMIDIFYING MODE

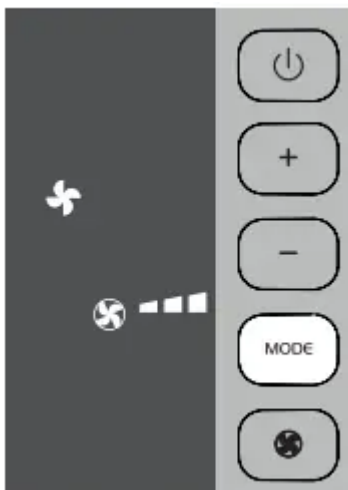


This is ideal for reducing humidity in the room (spring and autumn, damp rooms, rainy periods, etc). For this type of use, the appliance must be set up as for air conditioner mode. That is, the air exhaust hose (B2) must be fitted to the appliance to allow the humidity to be discharged outside.

To correctly set this mode:



- Touch the **MODE** key until the dehumidifier symbol appears.
- The appliance automatically chooses the best fan speed.

FAN MODE



When using this mode, the air exhaust hose (B2) does not need to be attached to the appliance.

To correctly set this mode:

- Touch the MODE key until the fan  symbol appears.
- Select the desired fan speed by touching the key . The speeds available are:



Minimum speed: when maximum silent operation is desired.



Medium speed: when the noise level needs to be low but with a good fan level.



Maximum speed: for maximum fan power.

SELECT THE TEMPERATURE SCALE



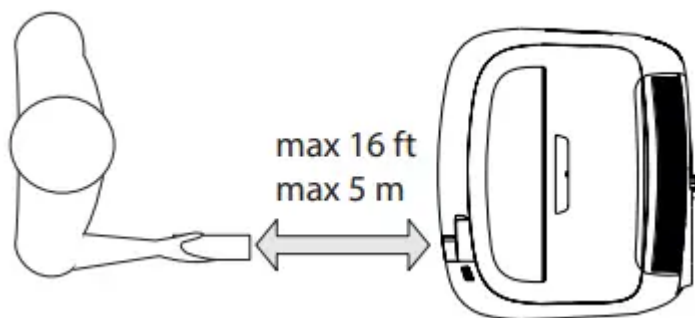
The temperature can be displayed in °C or °F.

To change the temperature unit of measure touch both keys "+" and "-" for about 10 sec.

OPERATING FROM THE REMOTE CONTROL

USING THE REMOTE CONTROL

- Point the remote control at the receiver (A11) on the air conditioner. The remote control must be no more than 16 ft (5 metres) away from the appliance (without obstacles between the remote control and the receiver).
- The remote control must be handled with care. Do not drop it or expose it to direct sunlight or sources of heat.



NOTE: The remote control can be safely stored in the appropriate compartment A12 (see figure).

DESCRIPTION OF THE REMOTE CONTROL

D1) ON/STAND-BY button

D2.1)Temperatu redecree /programmed operation button

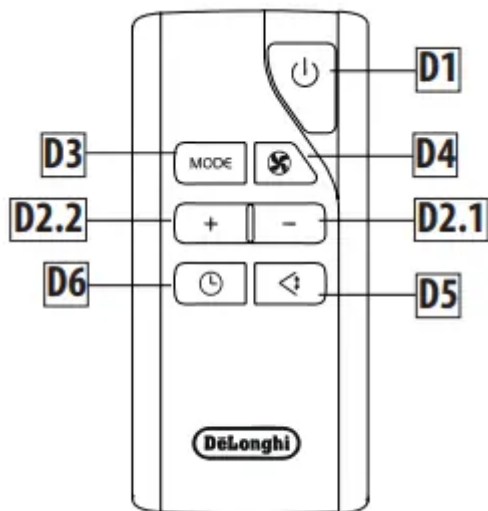
D2.2)Temperatu reincrease/programmed operation button

D3) **MODE** function button



D4) Fan speedselection button


D5) Swing button (flapswing)

D6) Timerbutton



TURNING THE APPLIANCE ON

- Plug in to the outlet.
- Press the  button (D1) (when turned on, the air conditioner start so perating in the same mode as when it was turned off) .
- To switch the appliance off, press button (D1)  , then remove the plug.

NOTE: Never switch the appliance off by removing the plug. Always switch it off by pushing on the  button and waiting few minutes before removing the plug. Only in this way the appliance will perform the standard checkings.

SELECTING THE OPERATING MODES

The commands available on the remote control correspond to those on the appliance control panel (C). There fore, refer to the instructions in the previous chapters.

NOTE: The special functions D5-D6, are available from the remote control only.

SWING BUTTON

The SWING button (D5) moves the grille flap, evenly distributing the air into the room.

When the SWING button is pressed, the flap will begin to move forwards and back ward salter natively.

If pressed again, the flap will be locked into its current position. When the button is next pressed, the flap will start to move forwards and back wards again.

NOTE: in order to avoid damaging the internal mechanisms, the flap must not be moved manually.

SETTING THE TIMER



The timer allows for the delayed start up or shut down of the appliance. This function will prevent wasting electricity by optimising the operating periods.

How to program delayed start up

- Plug in the appliance and set to standby.
- Press the timer key (D6): the timer symbol (C10) and hours (C6) light up.
- Use the + (D2.2) or - (D2.1) key to set the number of hours until the appliance should startup.

When the set time is elapsed, the appliance will start to operate in the same operating mode that was previously set.

Start up can be programmed at any time within the 24 hours that follow. A few seconds after the timer is set, the setting is acquired. The timer symbol stays lit and the display returns to standby.

To cancel the timer program, touch the timer key (D6) twice. The timer symbol (C10) will go off.

How to program delayed shut down

- While the appliance is on in any operating mode, delayed shutdown can be programmed.

- Press the timer key (D6): The timer symbol (C10) and hours (C6) light up.
- Use the + (D2.2) or - (D2.1) key to set the number of hours until the appliance will shutdown.

A few seconds after the timer is set, the settings are acquired, the display shows the operating mode and the timer symbol stays lit.

Once the set time has elapsed, the air conditioner goes into standby. To cancel the timer program, touch the timer key (D6) twice. The timer symbol (C10) will go off.

INSERTING OR REPLACING THE BATTERIES

- Remove the cover on the rear of the remote control;
- Replace the old batteries with two new R03 "AAA" 1.5V batteries, inserting them correctly (see the instructions inside the battery compartment);
- Replace the cover.

If the remote control unit is replaced or discarded, the batteries must be removed and disposed of in accordance with current legislation as they are harmful to the environment. Do not mix old and new batteries.

Do not mix alkaline, standard (carbon-zinc) or rechargeable (nickel-cadmium) batteries. Do not dispose of batteries in fire. Batteries may explode or leak. If the remote control is not to be used for a certain length of time, remove the batteries.

Note:

- This equipment has been tested and found to comply with the limits for a Class B digital device, pursuant to part 15 of the FCC Rules. These limits are designed to provide reasonable protection against harmful interference in a residential installation.
- This equipment generates, uses and can radiate radio frequency energy and, if not installed and used in accordance with the instructions, may cause harmful interference to radio communications. However, there is no guarantee that interference will not occur in a particular installation. If this equipment does cause harmful interference to radio or television reception, which can be determined by turning the equipment off and on, the user is encouraged to try to correct the interference by one or more of the following measures:
 - Reorient or relocate the receiving antenna.
 - Increase the separation between the equipment and receiver.
 - Connect the equipment to an outlet on a circuit different from that to which the receiver is connected.
 - Consult the dealer or an experienced radio/TV technician for help.

Changes or modifications not expressly approved by the party responsible for compliance could void the user's authority to operate the equipment.

- This device complies with Part 15 of the FCC Rules. Operation is subject to the following two conditions: (1) this device may not cause harmful interference, and (2) this device must accept any interference received, including interference that may cause undesired operation.
- This Class B digital apparatus complies with Canadian ICES003.

SELF-DIAGNOSIS

The appliance has a self diagnosis system to identify a number of malfunctions.

Error messages are displayed on the appliance display.

- **IF THE FOLLOWING APPEARS ON THE DISPLAY...**



"Low Temperature"

... DO THE FOLLOWING

The appliance has a defrosting device that prevents excessive ice buildups. The appliance automatically starts operating again once the defrosting process is complete.

- **IF THE FOLLOWING APPEARS ON THE DISPLAY...**



"High Level"

... DO THE FOLLOWING

Empty the inner water tray by following the instructions in the paragraph "END OF SEASON OPERATIONS".

If the error occurs again, please contact our toll free customer service call center.

- **IF THE FOLLOWING APPEARS ON THE DISPLAY...**



"Probe Failure"

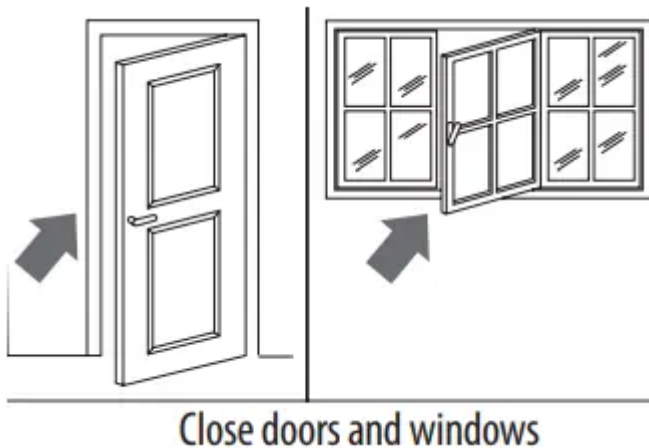
... DO THE FOLLOWING

If this appears, please contact our toll free customer service call center.

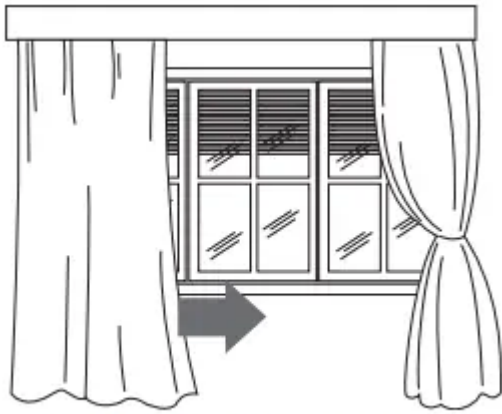
TIPS FOR CORRECT USE

To ensure optimal results from your air conditioner, follow these recommendations:

- close the windows and doors in the room to be air conditioned When installing the air conditioner semi-permanently, you should leave a door slightly open (as little as 0.39inch. (1cm)) to guarantee proper ventilation.



- Never use the appliance in very damp rooms (laundries for example).
- Protect the room from direct exposure to the sun by partially closing curtains and/or blinds to make the appliance much more economical to run



Close blinds or curtains


- Never use the appliance outdoors.
- Make sure there are no heat sources in the room;
- Make sure the air conditioner is standing on a level surface.



do not cover the appliance

- Never rest objects of any kind on the air conditioner;
- Never obstruct the air intake or outlet grilles;

CLEANING

Before cleaning or maintenance, turn the appliance off by touching the  button, then unplug from the outlet.

CLEANING THE CABINET

You should clean the appliance with a slightly damp cloth then dry with a dry cloth. For safety reasons, never wash their conditioner with water.

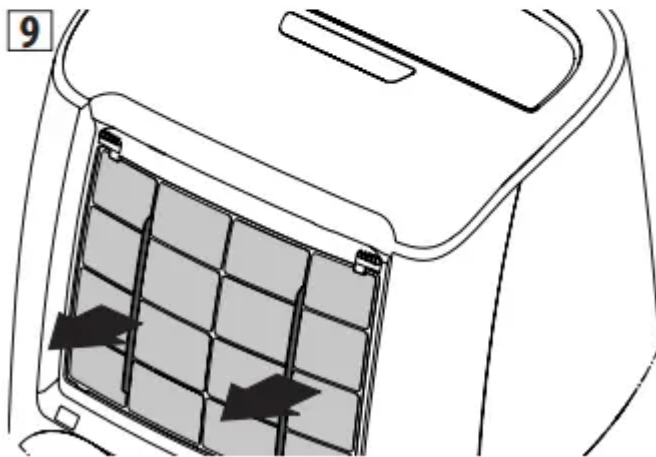
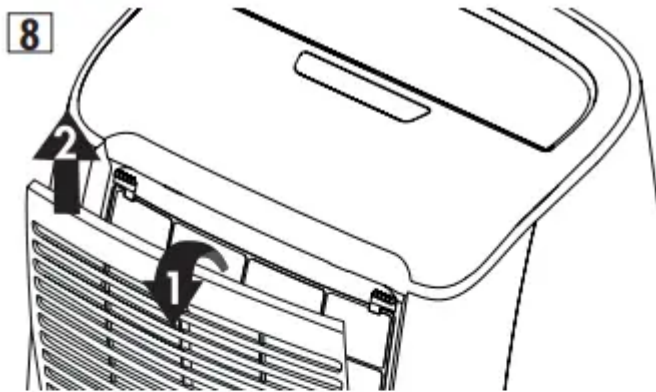
Precautions

Never use petrol, alcohol or solvents to clean the appliance. Never spray insecticide liquids or similar.

CLEANING THE AIR FILTER OR SILVER-ION AIR FILTER (If fitted)

To maintain the efficiency of the air conditioner, it is recommended to clean the dust filter after every week of use.

The filter is located near the intake grille. Remove the grille to access the filter. To clean the filter, it will need to be extracted as shown in fig.8-9.



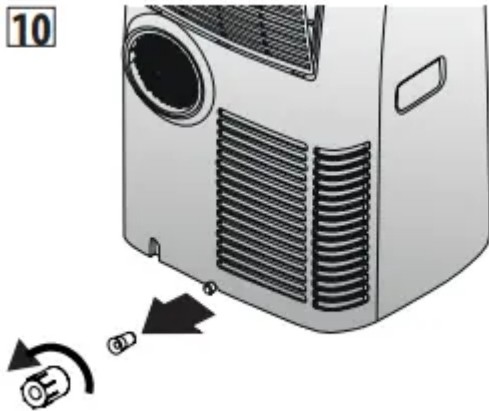
Use a vacuum cleaner to remove any dust deposited on the filter. If it is very dirty, submerge it into warm water and rinse it several times. The water temperature must be kept below 104°F. After washing the filter, allow it to dry. To replace, put the filter back in its housing. If present, the silver-ion air filter not only retains powder particles, but also performs an efficient antibacterial action. In addition, it greatly reduces irritants such as pollen and spores. The filter is treated with small particles of silver (with dimensions equal to millionths of a millimetre) which are able to block the multiplication of bacteria and spores when in contact with them, and therefore encourage their destruction.

CHECKS AT THE START OF THE SEASON

Make sure the power cable and socket are in perfect condition and make sure the earthing system is efficient. Comply strictly with the installation standards.

END OF SEASON OPERATIONS

To completely drain the water from the internal circuit, remove the cap from the outside of the drainage hose, turning it counter clockwise. Then remove the internal cap (fig. 10). Drain the water completely into a basin. When it is completely drained, replace the caps, making sure they are completely closed. Clean the filter as indicated previously. The filter must be completely dry before reinserting it.



When the appliance is empty, replace the caps. Clean the filter and dry thoroughly before putting back.

TECHNICAL SPECIFICATIONS

Power supply voltage see rating label

Max. absorbed power during air conditioning “

Refrigerant “

Cooling capacity “

LIMIT CONDITIONS

Room temperature for

air conditioning 64 ÷ 95°F (18° ÷ 35°C)

Transport, filling, cleaning, recovery and disposal of refrigerant should be performed by a technical service centre appointed by the manufacturer only. The appliance should be disposed of by a specialist centre appointed by the manufacturer only.

TO AVOID DAMAGE TO THE UNIT:

NEVER TRANSPORT OR TURN THE APPLIANCE UPSIDE DOWN OR ON ITS SIDE. IF THIS OCCURS, WAIT 6 HOURS BEFORE TURNING

THE APPLIANCE ON, 24 HOURS IS RECOMMENDED. After the unit has been on its side, oil needs to return to the compressor to ensure proper function. Without allowing the unit this time (6-24 hours) the unit may function for only a short time, and then the compressor will break down from lack of oil.

ELECTRICAL CONNECTION

This appliance is equipped with a 3 prong grounded plug. The plug must be connected into an outlet that is properly installed and grounded in accordance with all local codes and ordinances. Do not modify the plug provided with the appliance. If it will not fit the outlet, have a proper outlet installed by a qualified electrician or relocate the unit to a proper outlet. If the household electrical supply does not meet the above specifications, or if you are not sure your home has an effective electrical ground, have a qualified electrician or your local electrical utility company check and correct any problems.

SAFETY PLUG

The appliance is fitted with a safety plug to protect the power cable. If power is cut off, unplug from the outlet and make sure the power cable is not damaged. If the cable is damaged, call the service center immediately. If power cuts off frequently and the power cable is not damaged, contact a qualified electrician.


OPERATION OF THE SAFETY PLUG

If the safety device incorporated in the plug trips and cuts off the power supply, check that the power cable and plug are not damaged. If the power cable is not damaged, to restore operation press the "RESET" button. To verify correct operation of the plug, press the "TEST" button periodically and make sure the appliance disconnects. If this is not the case, contact the service center. To restore operation, press the "RESET" button.

TROUBLESHOOTING

Check the following points before calling the authorized Technical Service Centre in your area

- The air conditioner does not turn on
 - It is not plugged in
 - plug it in
 - there is no power
 - wait
 - the internal protection device was triggered
 - call the help centre

- The air conditioner works for a short period of time
 - the air exhaust hose is obstructed or bent
 - correctly position the air exhaust hose, limiting the length and curves as much as possible and avoiding any obstructions
 - an obstruction is impeding air exhaust outside
 - identify and remove the obstacles that impede air exhaust outside
- The air conditioner runs but does not cool the room
 - windows, doors, drapes open
 - close the windows, doors and drapes, keeping in mind the “recommendations for proper use”
 - there is some heat source in the room (oven, hair dryer, etc.)
 - eliminate the heat source
 - the air exhaust hose is disconnected from the appliance
 - attach the air exhaust hose to the housing on the back of the appliance (fig.1)
 - dust filters clogged
 - clean or replace the filters as previously described
 - the technical characteristics of the appliance are not suitable for cooling the room where it is located
- During operation there is an unpleasant odour in the room
 - dust filters clogged
 - clean or replace the filters as previously described
- The air conditioner does not work for about 3 minutes from restart
 - to protect the compressor there is an internal device that delays startup for about 3 minutes from restart
 - wait; this time delay from restart is normal
- The display shows the  symbol with one of the following messages: HL/PF
- the appliance has a self-diagnosis system that identifies some operating errors
- refer to the SELF-DIAGNOSIS chapter

Warning

This content is compiled from multiple sources and is provided for reference purposes only. It may not be complete or fully applicable to all situations. If you are unable to resolve your issue, please contact the product manufacturer or an authorized service provider for official support.

Document generated by [ManualsFile](#)

