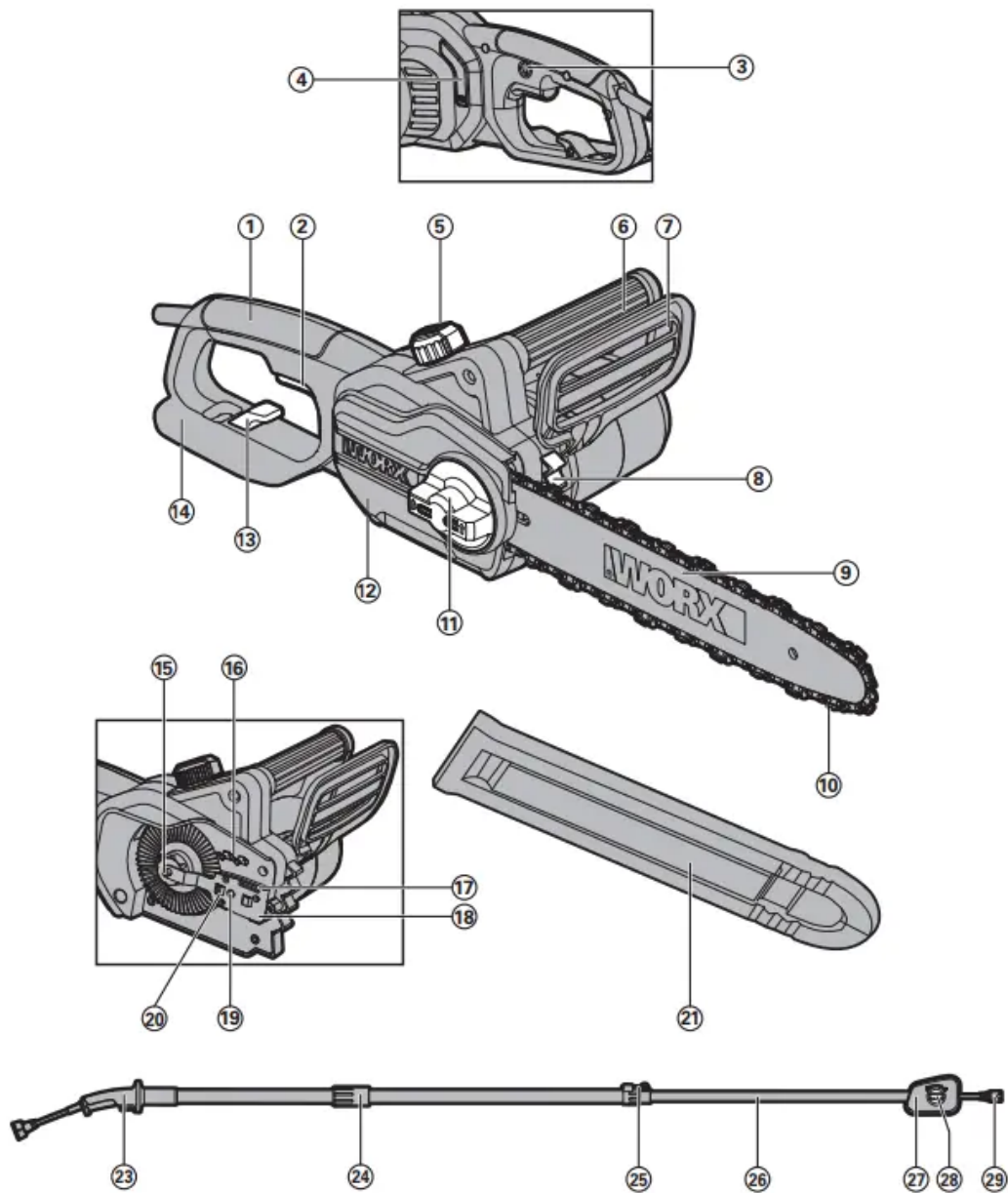


# USER MANUAL 2 in 1: Pole Saw / Chain Saw




1. REAR HANDLE
2. ON/OFF SWITCH
3. LOCK-OFF BUTTON
4. OIL LEVEL WINDOW
5. OIL FILLER CAP
6. FRONT HANDLE
7. HAND GUARD
8. BUMPER SPIKE



9. GUIDE BAR
10. CHAIN
11. CHAIN TENSIONING KNOB
12. CHAIN COVER
13. EXTENSION CORD HOLDER
14. REAR HAND GUARD
15. DRIVE SPROCKET
16. CHAIN DIRECTION SYMBOL
17. OIL OUTLET
18. BAR CLAMP
19. FASTENING BAR BOLT
20. BAR LOCATING TABS
21. BAR AND CHAIN STORAGE/TRANSPORTATION COVER
22. BAR TENSIONING PLATE (SEE FIG. A)
23. EXTENSION POLE HANDLE
24. LOCKING COLLAR
25. CLAMPING LEVER
26. INNER POLE
27. HANDLE BRACKET
28. KNOB
29. RECEPTACLE CORD

\* Not all the accessories illustrated or described are included in standard delivery.

## TECHNICAL DATA

	<b>WG309</b>	<b>WG310</b>
Voltage	120V~60Hz	
Amps	8Amp	
Bar length	10"	8"
Chain speed	28ft/s	
Oil tank capacity	4.06ounces	
Chain pitch	3/8"	
Number of chain links	40	34
Chain gauge	0.050"	0.043"
Chain type	QIRUI: A1-40 KANGXIN: 3/8LP-40 ES: 3/8LP050 40E	QIRUI: A0-34 KANGXIN: 3/8.043-34 ES: 3/8LP043 34E
Bar type	QIRUI: P010-50SR KANGXIN: AP10-40-507P ES: ES100SDEA041	QIRUI: P08-43SR KANGXIN: AP08-34-437P ES: ES084SDEA041
Weight(chain & bar included)	10lbs	9.5lbs
Protection class		

## ACCESSORIES

Chain: 1

Bar: 1

Transportation Cover: 1

Extension Pole: 1

Only use the appropriate accessories intended for this tool. Accessory information can be found on the product packaging, at a WORX dealer or on our website

## INSTRUCTIONS CONCERNING THE PROPER TECHNIQUES FOR BASIC FELLING, LIMBING, AND CROSSCUTTING

### 1. Felling a tree

When bucking and felling operations are being performed by two or more persons at the same time, the felling operations should be separated from the bucking operation by a distance of at least twice the height of the tree being felled. Trees should not be felled in a manner that would endanger any person, strike any utility line or cause any property damage. If the tree does make contact with any utility line, the company should be notified immediately.

The chain saw operator should keep on the uphill side of the terrain as the tree is likely to roll or slide downhill after it is felled.

An escape path should be planned and cleared as necessary before cuts are started. The escape path should extend back and diagonally to the rear of the expected line of fall as illustrated in Figure I.

Before felling is started, consider the natural lean of the tree, the location of larger branches and the wind direction to judge which way the tree will fall.

Remove dirt, stones, loose bark, nails, staples and wire from the tree.

## 2. Notching undercut

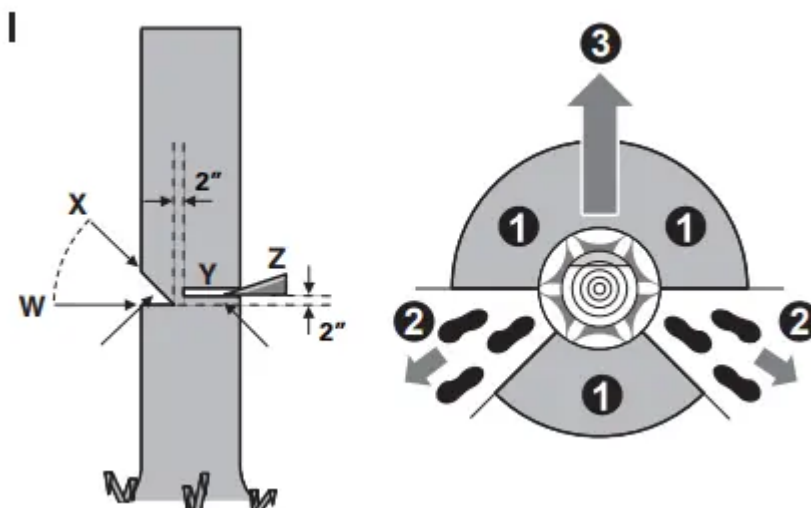
Make the notch 1/3 the diameter of the tree, perpendicular to the direction of falls as illustrated in Figure I. Make the lower horizontal notching cut first. This will help to avoid pinching either the saw chin or the guide bar when the second notch is being made.

## 3. Felling back cut

Make the felling back cut at least 50 mm higher than the horizontal notching cut as illustrated in Figure I. Keep the felling back cut parallel to the horizontal notching cut. Make the felling back cut so enough wood is left to act as a hinge. The hinge wood keeps the tree from twisting and falling in the wrong direction. Do not cut through the hinge.

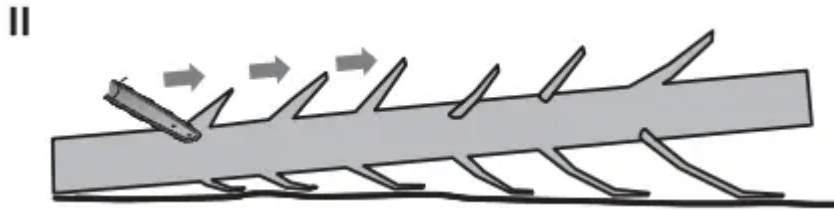
As the felling gets close to the hinge, the tree should begin to fall. If there is any chance that the tree may not fall in desired direction or it may rock back and bind the saw chain, stop cutting before the felling back cut is complete and use wedges of wood, plastic or aluminium to open the cut and drop the tree along the desired line of fall.

When the tree begins to fall remove the chain saw from the cut, stop the motor, put the chain saw down, then use the retreat path planned. Be alert for overhead limbs falling and watch your footing.



## 4. Limbing a tree

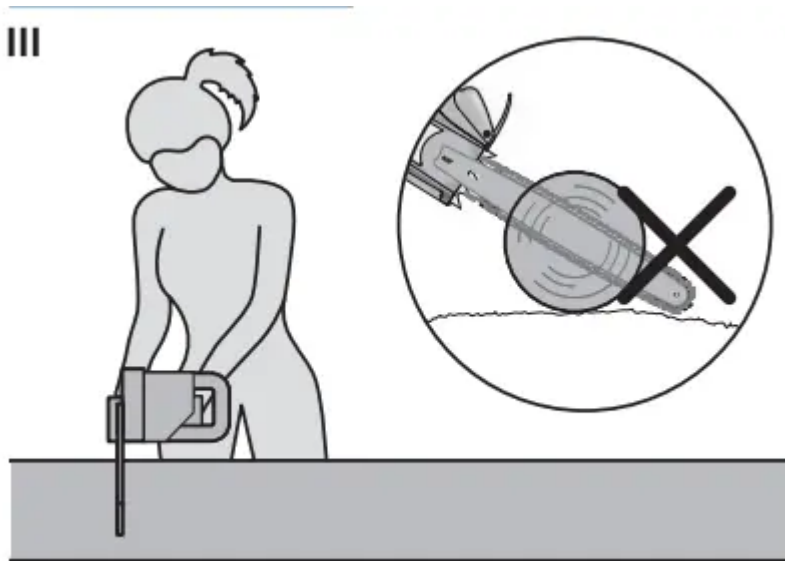
Limbing is removing the branches from a fallen tree. When limbing leave larger lower limbs to support the log off the ground. Remove the small limbs in one cut as illustrated in Figure II. Branches under tension should be cut from the bottom up to avoid binding the chain saw.



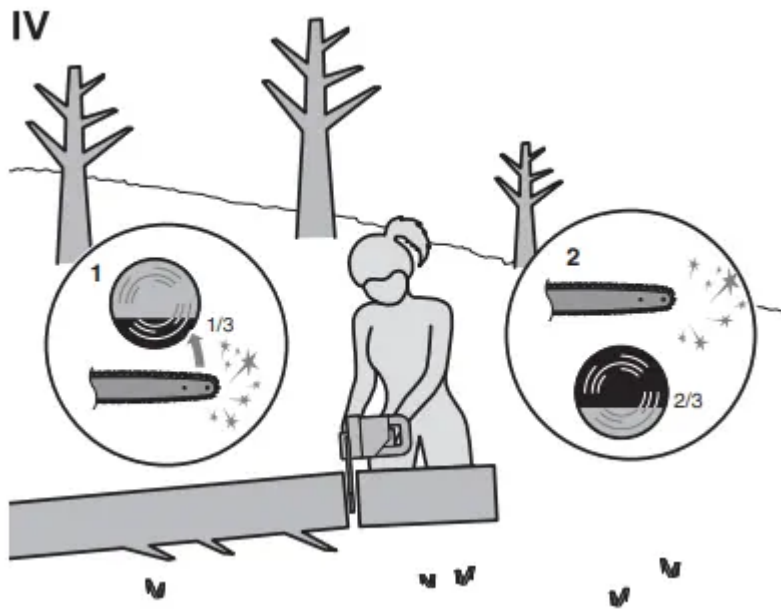
## 5. Bucking a log

Bucking is cutting a log into lengths. It is important to make sure your footing is firm and your weight is evenly distributed on both feet. When possible, the log should be raised and supported by the use of limbs, logs or chocks. Follow the simple directions for easy cutting.

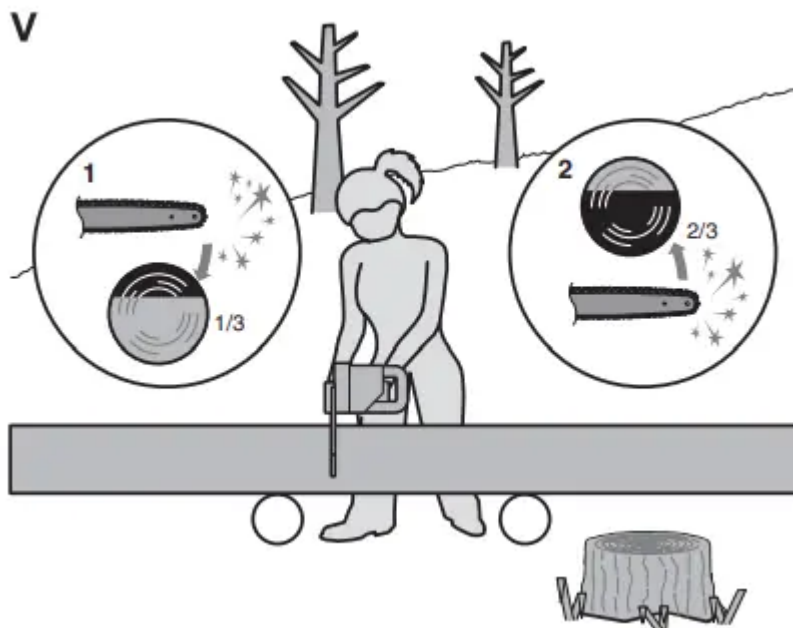
When the log is supported along its entire length as illustrated in Figure III, it is cut from the top (overbuck).



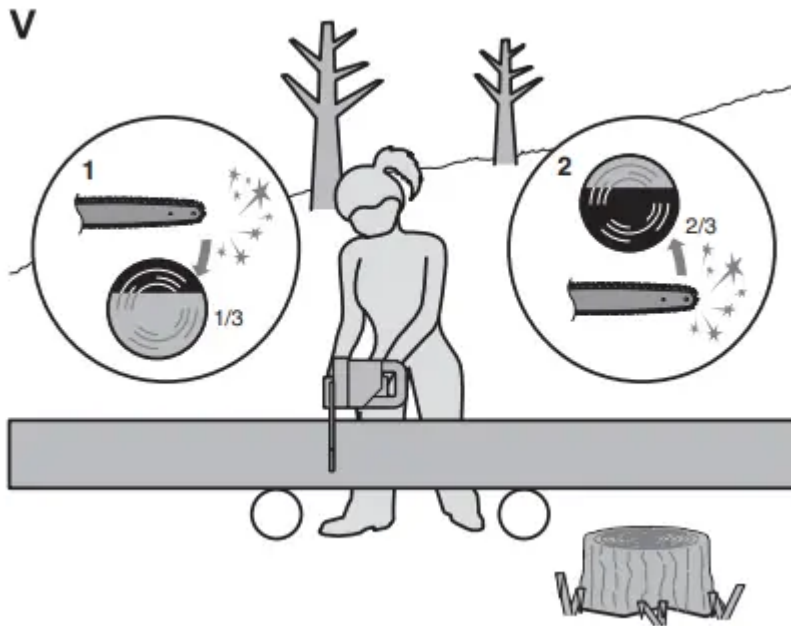
When the log is supported on one end, as illustrated in Figure IV, cut 1/3 the diameter from the underside (underbuck). Then make the finished cut by overbucking to meet the first cut.



When the log is supported on both ends, as illustrated in Figure V, cut 1/3 the diameter from the top (overbuck). Then make the finished cut by underbucking the lower 2/3 to meet the first cut.



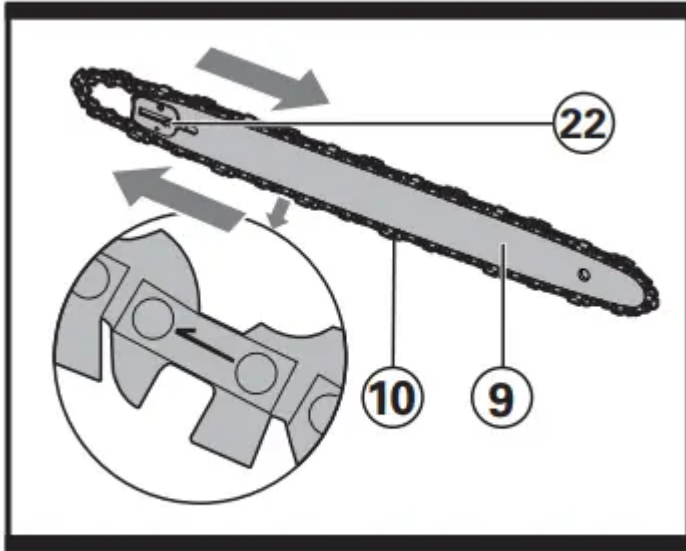
When bucking on a slope always stand on the uphill side of the log, as illustrated in Figure VI. When “cutting through”, to maintain complete control release the cutting pressure near the end of the cut without relaxing your grip on the chain saw handles. Don’t let the chain contact the ground. After completing the cut, wait for the saw chain to stop before you move the chain saw. Always stop the motor before moving from tree to tree.



## ASSEMBLY

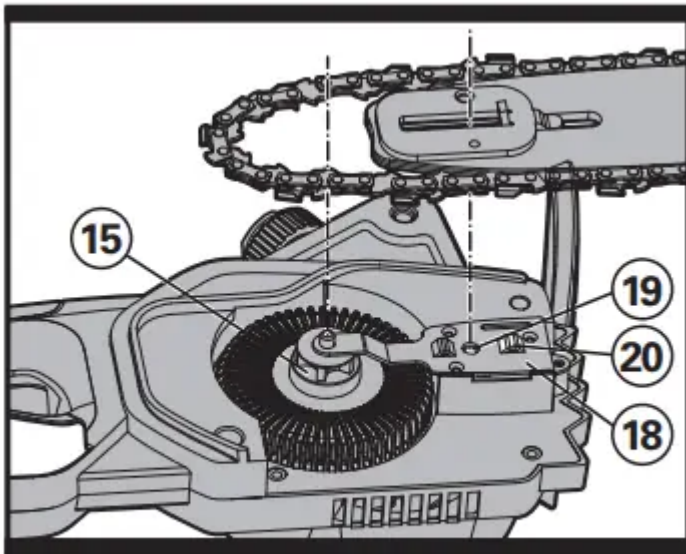
### CHAIN AND GUIDE BAR ASSEMBLY

1. Unpack all parts carefully.
2. Place the chain saw on a solid, level surface.
3. Use only genuine WORX chains designed for Guide Bar
4. Slide the Chain(10) in the slot around the Guide Bar (9). Ensure the Chain is in correct running direction by comparing it to the Chain Direction Symbol (16) found on the saw body. Ensure the Bar Tensioning Plate (22) is facing outward. (See Fig. A)



**A**

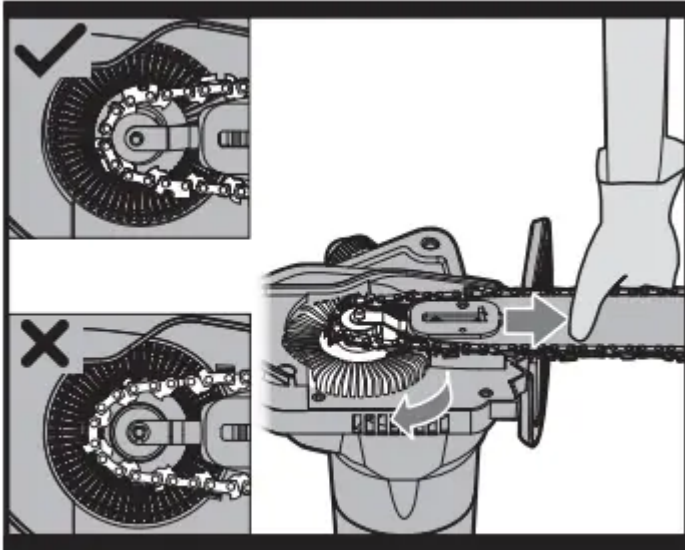
5. Fit the Chain onto the Drive Sprocket (15), so that the Fastening Bar Bolt (19) and the two Bar Locating Tabs (20) on the Bar Clamp (18) fit into the keyway of the opening on the Guide Bar (9). (See Fig. B)



**B**

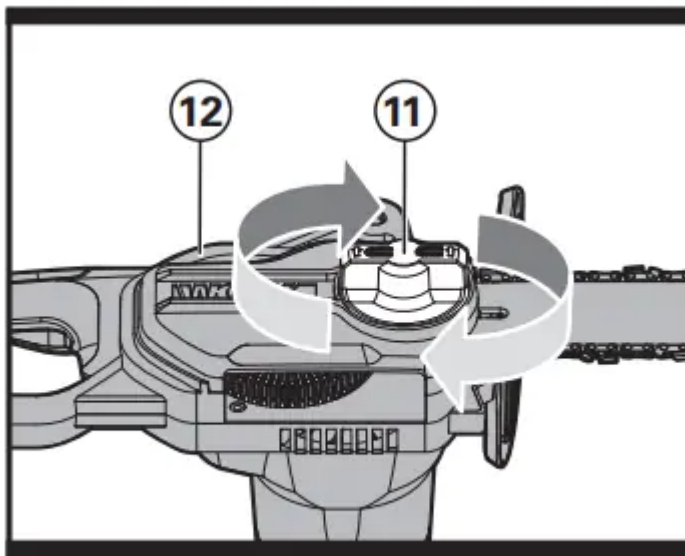
6. Check to see if all parts are seated properly. (See Fig. C)

**NOTE:** Chain should rotate freely and be free of kinks.



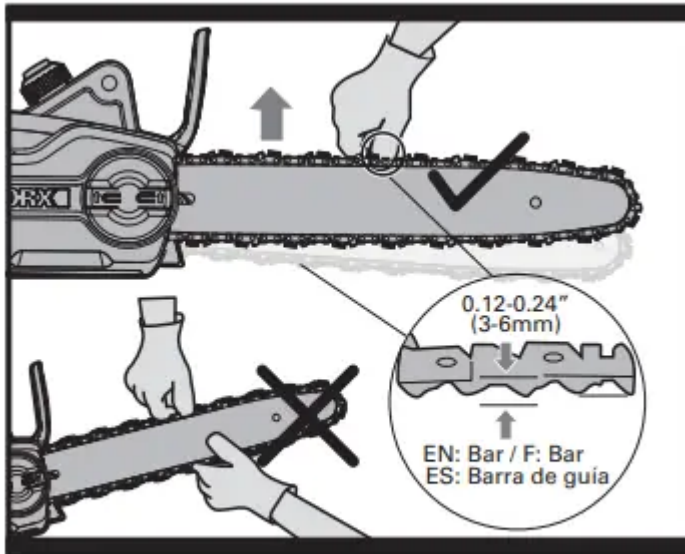
**C**

7. Fit the Chain Cover (12) and tighten the Chain Cover by turning the Chain Tensioning Knob (11) clockwise until it is tight. (See Fig. D)



**D**

**TENSIONING CHAIN**

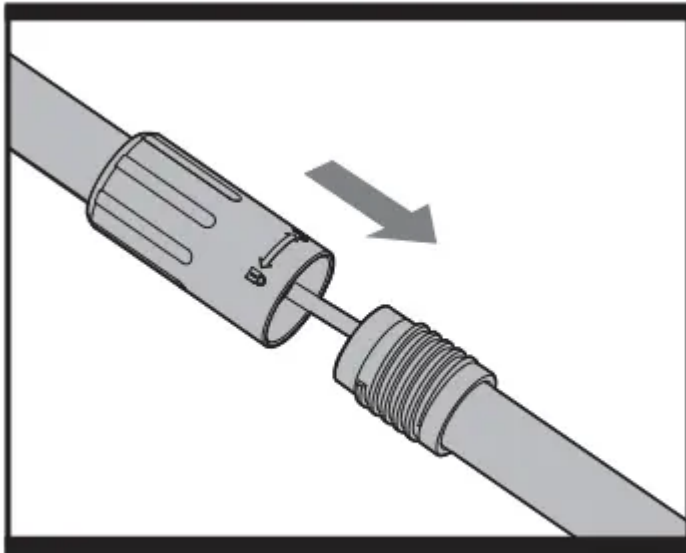


## E

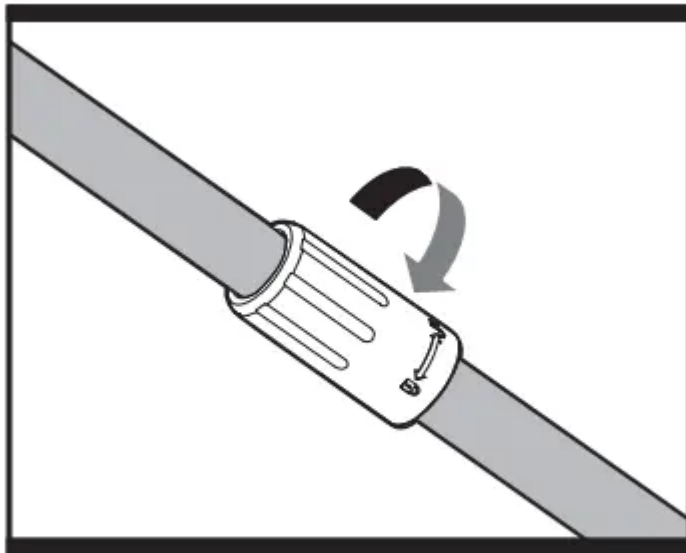
1. Place the chain saw on any suitable flat surface.
2. Turn the Chain Tensioning Knob (11) clockwise until it is hand tight. The tension is automatically set while the Chain Tensioning Knob is being tightened. The ratchet mechanism prevents the chain tension from loosening
3. Double check the tension set by the automatic Chain Tensioning Knob. The correct chain tension is reached when the Chain (10) can be raised approx. 0.12– 0.24" (3-6mm) from the Guide Bar (9) in the center. This should be done by using one hand to raise the chain against the weight of the machine.
4. The Chain will stretch from use and lose proper tension. To turn knob counter clockwise (3x), secure the chain cover, and retension the chain simply repeat steps 1 - 3 listed above.

## ASSEMBLING THE EXTENSION POLE

Align and insert the handle of extension pole into the shaft. Rotate the locking collar clockwise to lock.



**F1**

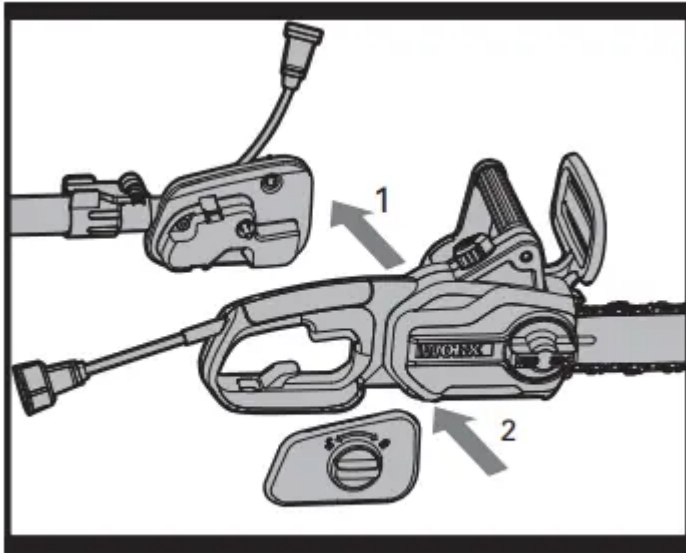


**F2**

**NOTE:** Make sure that the shaft is firmly locked in place.

#### **ASSEMBLING THE EXTENSION POLE TO THE MACHINE**

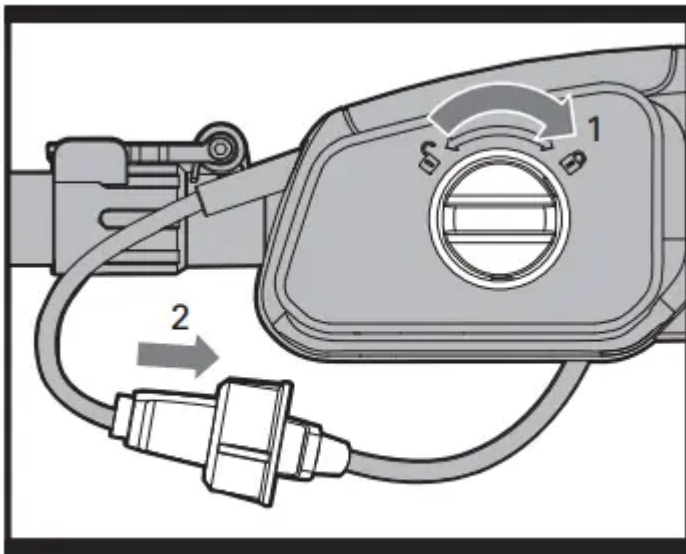
1. Insert the pole bracket into the saw.



## G1

**NOTE:** Pole bracket holds trigger in “ON” position.

2. Slide the handle bracket onto clamping bolt.
3. Screw the knob tightly.(See Fig. G2)

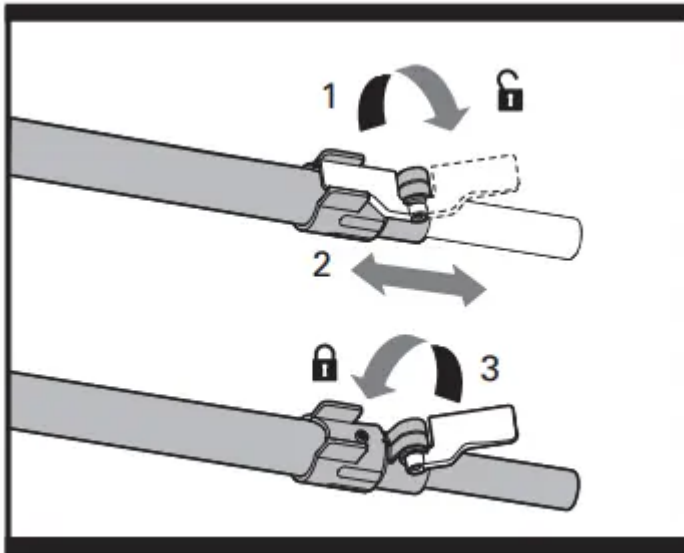


## G2

4. Plug saw power cord into receptacle cord at end of inner pole.(See Fig. G2)

### ADJUSTING POLE LENGTH

The pole saw has a telescoping pole assembly that will extend from 87 inches (fully retracted) to 117 inches (fully extended). A cam levered collet is used to hold the pole in position at any extended length.



## H

1. To extend the pole, loosen the clamping lever as shown in Fig H. Pole will slide freely.
2. Pull inner pole section out to desired length of extension. Note: only extend pole to minimum length required to reach limb that is being cut.
3. To lock pole in position, tighten clamping lever as shown in Fig. H.

## LUBRICATION



**IMPORTANT:** The chain saw is not supplied filled with oil. It is essential to fill with oil before use. Never operate the chain saw without chain oil or at an empty oil tank level, as this will result in extensive damage to the product.

**NOTE:** Chain life and cutting capacity depend on optimum lubrication. Therefore, the chain is automatically oiled during operation.

### Filling oil tank:

1. Set chain saw on any suitable surface with Oil Filler Cap (5) facing upward.
2. Clean area around the Oil Filler Cap with cloth and unscrew the cap by turning it counter clockwise.
3. Add WORX bar and chain oil until reservoir is full
4. Avoid dirt or debris entering oil tank, refit Oil Filler Cap (5) and tighten by turning clockwise until hand tight.



**IMPORTANT:** To allow venting of the oil reservoir, small breather channels are provided between the Oil Filler Cap and the strainer, to prevent leakage ensure machine is left in a

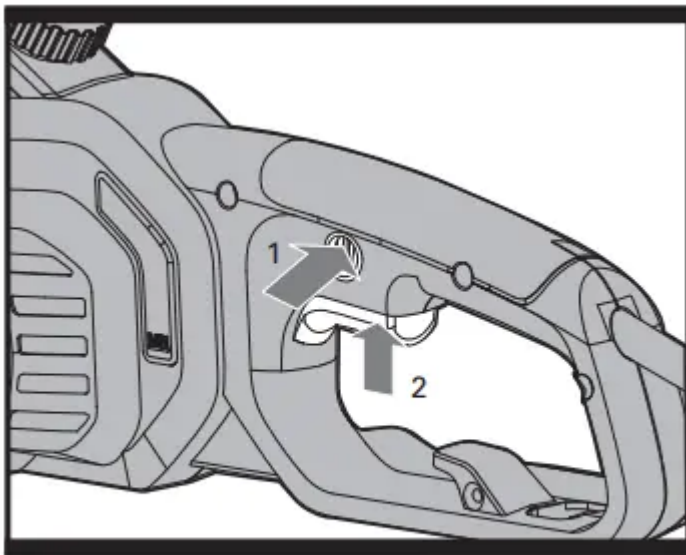
horizontal position (Oil Filler Cap (5) uppermost) when not in use. It is important to use only the recommended oil (ISO VG32) to avoid damage to the chain saw. Never use recycled/old oil. Use of non approved oil will invalidate the warranty.

### Checking the Automatic Oiler

Proper functioning of the automatic oiler can be checked by running the chain saw and pointing the tip of the Guide chain bar (7) towards a piece of cardboard or paper on the ground. If an increasing oil pattern develops on the cardboard, the automatic oiler is operating fine. If there is no oil pattern, despite a full oil reservoir, contact WORX customer service agent or WORX approved service agent.

## OPERATION

### 1. SWITCHING ON AND OFF (See Fig. 1)



1

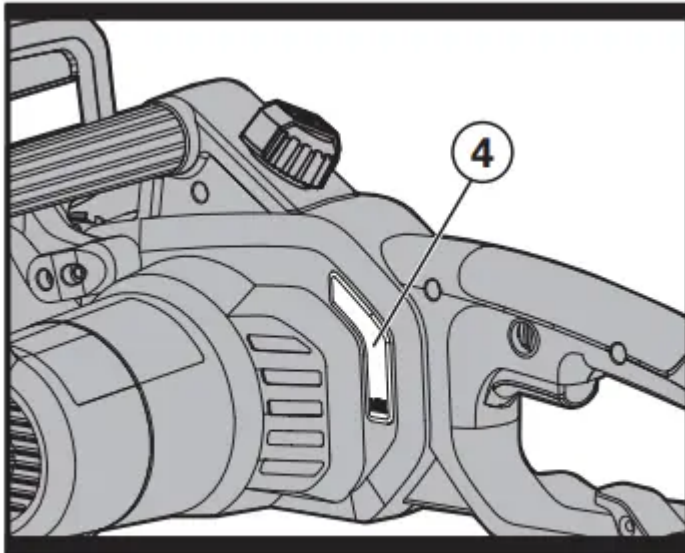


**ATTENTION:** Check the voltage and current supply: The voltage and current supply must comply with the ratings on the product plate.

For switching on the tool, press the Lockoff Button (3), then fully press the On/Off Switch (2) and hold in this position. The LockOff Button can now be released.

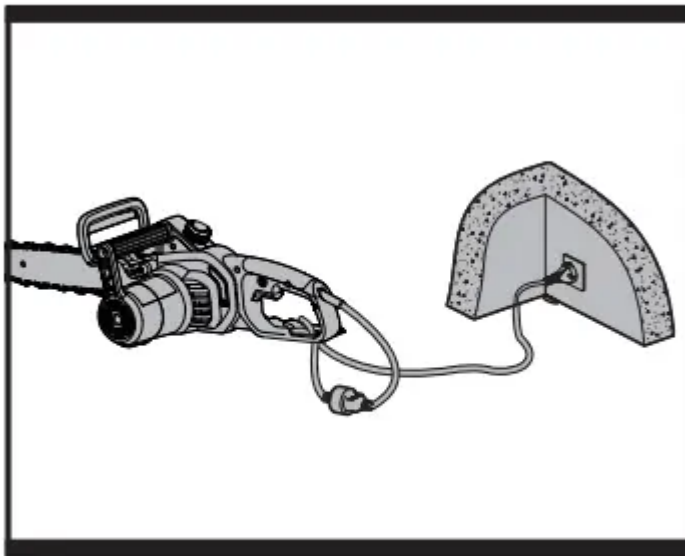
For switching off, release the On/Off Switch.

### 2. CUTTING



## J1

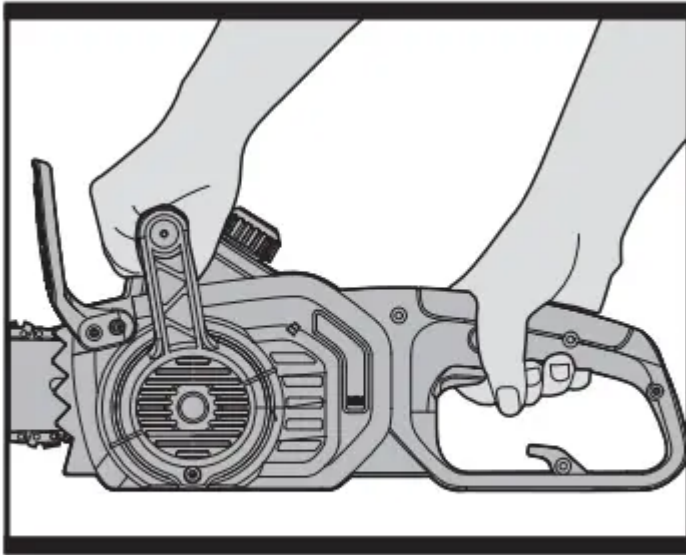
(1) Connect saw to extension cord. Connect extension cord to power supply. (See Fig. J2 )



## J2

(2) Make sure section of log to be cut is not laying on the ground. This will keep the chain (10) from touching the ground as it cuts through the log. Touching the ground while the Chain is moving is dangerous and will dull the Chain.

(3) Use both hands to grip saw. Always use left hand to grip Front Handle(6)and right hand to grip Rear Handle (1). Use a firm grip. Thumbs and fingers must wrap around saw handles (See Fig.J3 ).



### **J3**

(4) Make sure your footing is firm. Keep shoulder width feet apart. Divide your weight evenly on both feet.

(5) When ready to make a cut, push the Lockoff Button (3) completely in with the right thumb and squeeze the trigger. This will turn saw on. Releasing the trigger will turn the saw off. Make sure the saw is running at full speed before starting a cut.

(6) When starting a cut, slowly place moving chain against the wood. Hold saw firmly in place to avoid possible bouncing or skating (sideways movement) of saw.

(7) Guide the saw using light pressure and do not put excessive force on the saw. The motor will overload and can burn out. It will do the job better and safer at the rate for which it was intended.

(8) Remove the saw from a cut with the saw running at full speed. Stop the saw by releasing the On/off Switch (2). Make sure the chain has stopped before setting the saw down.

(9) Keep practicing on scrap logs in a secure working area until you get the hang of it and can saw with ease, using a fluid motion and a steady cutting rate.

#### **KICKBACK SAFETY DEVICES ON THIS SAW**

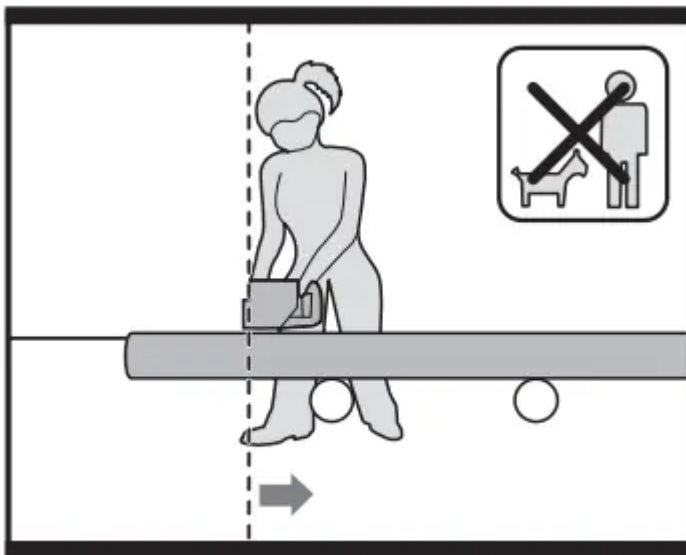
This saw has a low-kickback chain and reduced kickback Guide Bar. Both items reduce the chance of kickback. However, kickback can still occur with this saw. The following steps will reduce the risk of kickback.

- Use both hands to grip saw while saw is running. Use firm grip. Thumbs and fingers must wrap around saw handles.
- Keep all safety items in place on saw. Make sure they work properly.
- Do not overreach or cut above shoulder height.

- Keep solid footing and balance at all times.
- Stand slightly to left side of saw. This keeps your body from being in direct line with chain.
- Do not let Guide Bar nose touch anything when chain is moving.
- Never try cutting through two logs at same time. Only cut one log at a time.
- Do not bury the Guide Bar nose or try plunge cut (boring into wood using Guide Bar nose).
- Watch for shifting of wood or other forces that may pinch chain.
- Use extreme caution when reentering a previous cut.
- Use only the low-kickback chain and Guide Bar(9)that were supplied with this chain saw.
- Never use a dull or loose chain. Keep chain sharp with proper tension.

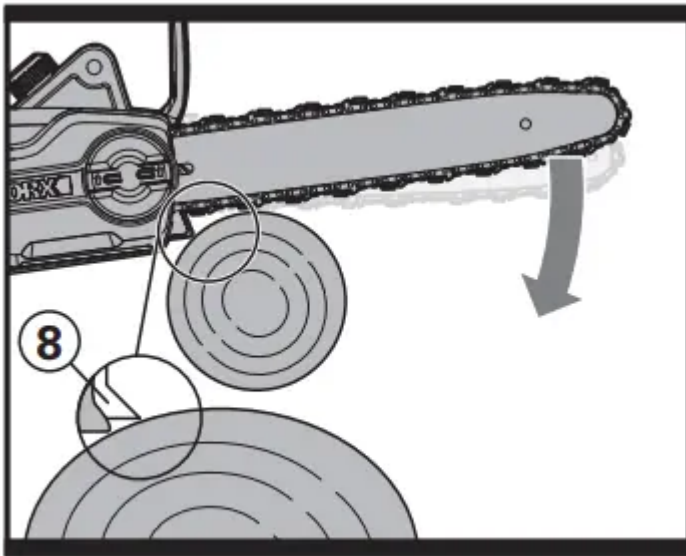
### HOW TO USE SAW SAFELY

1. Use the chain saw only with secure footing.
2. Hold the chain saw at the right-hand side of your body (See Fig. K1).



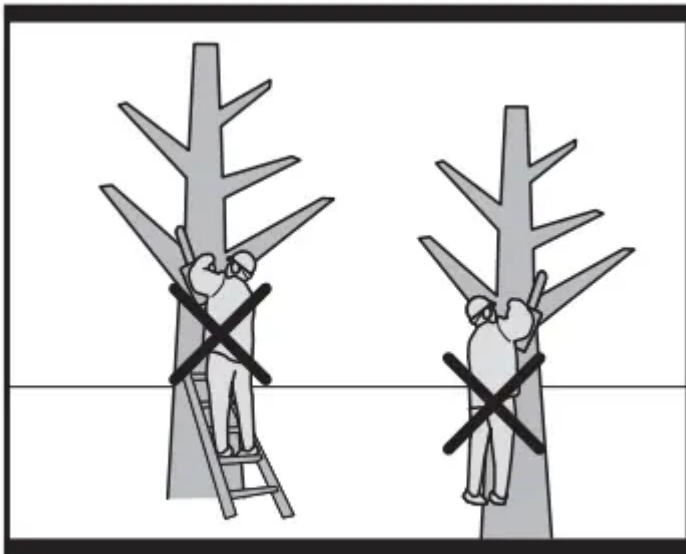
### **K1**

3. The Chain(10) must be running at full speed before it makes contact with the wood.
4. Use the metal Bumper Spikes (8) to secure the saw onto the wood before starting to cut. Use the Bumper Spikes as a leverage point (a) while cutting. (See Fig. K2)



## K2

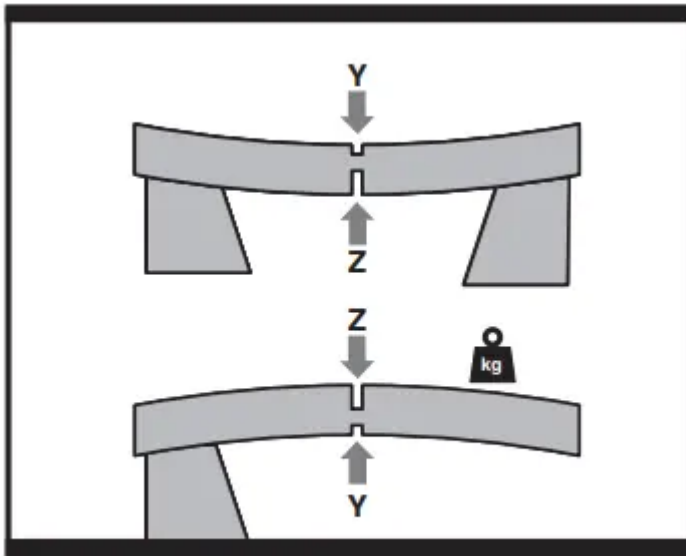
5. Do not operate the chain saw with arms fully extended, attempt to saw areas which are difficult to reach, or stand on a ladder while sawing (see Fig. K3).



## K3

Never use the chain saw above shoulder height

**CUTTING WOOD UNDER TENSION**



**L**

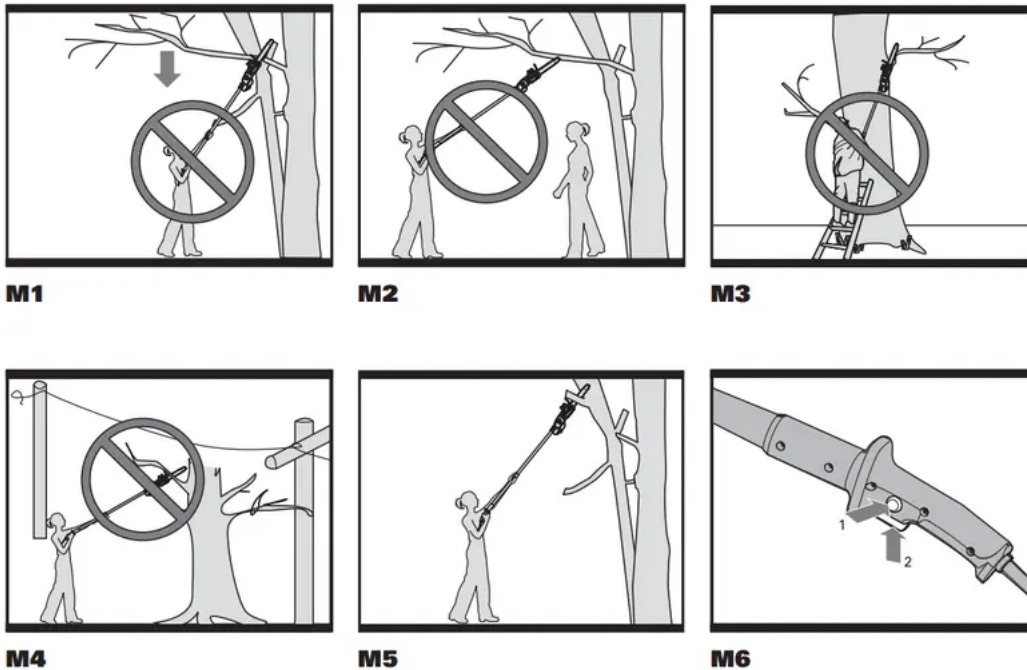


**WARNING:** When cutting a limb that is under tension, use extreme caution. Be alert for wood springing back. When wood tension is released, limb could spring back and strike operator causing severe injury or death.

When sawing logs supported on both ends, start the cut from above (Y) about 1/3 of the diameter into the log and then finish the cut (Z) from below, in order to avoid contact of the chain saw with the ground. When sawing logs supported on only one end, start the cut from below (Y) about 1/3 of the diameter into the log and finish the cut from above (Z) in order to avoid log splitting or jamming of the chain saw.

## OPERATION FOR POLE SAW

### Cutting with extension pole



1. Connect saw to extension cord. Connect extension cord to power supply.
2. Before cutting a high branch, consider all the same points detailed in the previous section “Trimming Branches” but pay particular attention to the likely path of the falling branch.



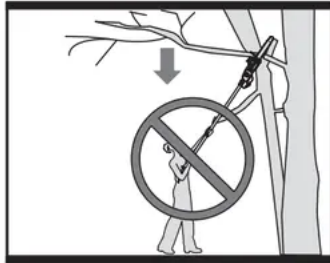
**WARNING:** Do not stand directly below a branch being cut. Keep bystanders far away. Do not stand on a ladder or other type of unstable support while using the tool. Do not use the tool near cable, electrical power or telephone lines. Keep 10 ft (3m) away from all power lines. (See Fig. M1-M4)

3. Use both hands to grip Pole Saw. Use only designated grip areas when operating Pole Saw (See Figure M5). Use firm grip. Thumbs and fingers must wrap around Pole Saw handle and pole.
4. Make sure your footing is firm. Keep feet apart. Divide your weight evenly on both feet.
5. When ready to make a cut, press the Lock-off Button, then fully press the On/off Switch (See Figure M6). This will turn Pole Saw on. Releasing On/off Switch will turn Pole Saw off. Make sure saw is running at full speed before starting a cut.
6. When starting a cut, place moving chain against wood. Hold Pole Saw firmly in place to avoid possible bouncing or skating (sideways movement) of saw.
7. Guide Pole Saw using light pressure. Do not force Pole Saw. The motor will overload and can burn out. It will do the job better and safer at the rate for which it was intended.
8. Remove Pole Saw from a cut with saw running at full speed. Stop Pole Saw by releasing trigger. Make sure chain has stopped before setting Pole Saw down.

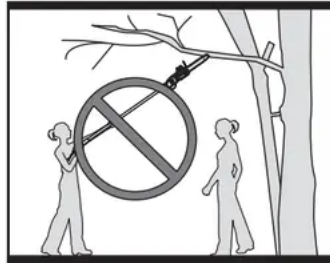
## TRIMMING A TREE (PRUNING)

Trimming a tree is the process of cutting limbs from a living tree. Make sure your footing is firm. Keep feet apart. Divide your weight evenly on both feet. Follow directions below to trim a tree.

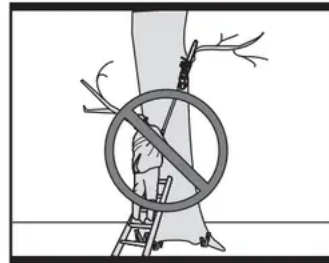
1. Make first cut six inches from tree trunk on underside of limb. Use top of guide bar to make this cut. Cut 1/3 through diameter of limb (See Fig. M7).



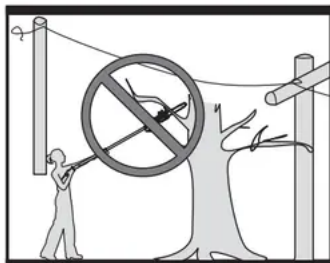
**M1**



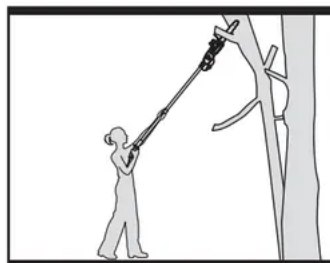
**M2**



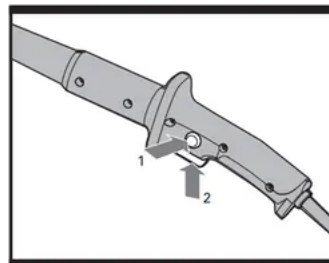
**M3**



**M4**



**M5**



**M6**

2. Move two to four inches farther out on limb. Make second cut from above limb. Continue cut until you cut limb off.
3. Make third cut as close to tree trunk as possible on underside of limb stub. Use top of guide bar to make this cut. Cut 1/3 through diameter of stub.
4. Make fourth cut directly above third cut. Cut down to meet third cut. This will remove limb stub.

## SAW MAINTENANCE

Follow maintenance instructions in this manual. Proper cleaning of saw and chain and Guide Bar maintenance can reduce chances of kickback. Inspect and maintain saw after each use. This will increase the service life of your saw.

**NOTE:** Even with proper sharpening, risk of kickback can increase with each sharpening.

## MAINTENANCE AND STORAGE OF CHAIN SAW

If the replacement of the supply cord is necessary, this has to be done by the manufacturer or his agent in order to avoid a safety hazard.

1. Unplug chain saw from power source

- When not in use
- Before moving from one place to another
- Before servicing
- Before changing accessories or attachments, such as saw chain and guard

## **2. Inspect chain saw before and after each use.**

Check saw closely if guard or other part has been damaged. Check for any damage that may affect operator safety or operation of saw. Check for alignment or binding of moving parts. Check for broken or damaged parts. Do not use chain saw if damage affects safety or operation. Have damage repaired by authorized service center. To locate an authorized service center

## **3. Maintain chain saw with care.**

- Never expose saw to rain.
- Keep chain sharp, clean, and lubricated for better and safer performance.
- Follow steps outlined in this manual to sharpen chain.
- Keep handles dry, clean, and free of oil and grease.
- Keep all screws and nuts tight.
- Inspect power cord often. If damaged, have repaired by authorized service center.
- Never carry chain saw by power cord.
- Never yank power cord to unplug it.
- Keep power cord from heat, oil, and sharp edges.
- Inspect extension cords often and replace if damaged.

## **4. When servicing, use only identical replacement parts.**

## **5. When not in use, always store chain saw**

- in a high or locked place, out of children's reach
- in a dry place

## **Bar Maintenance**

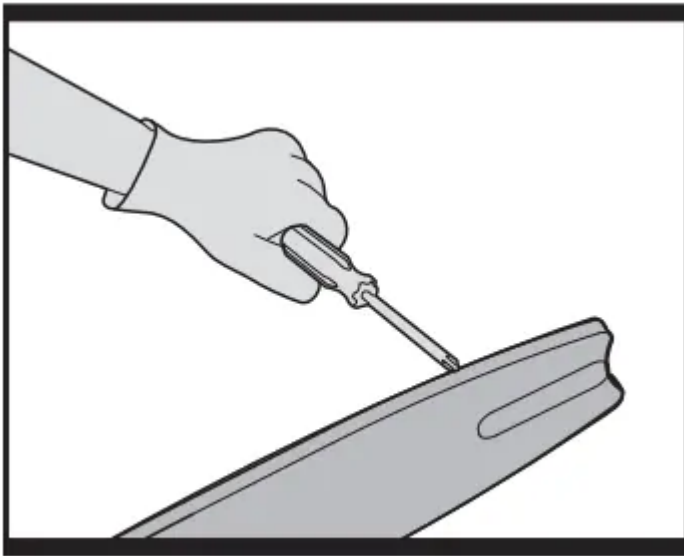
To maximize bar life, the following bar maintenance is recommended.

The bar rails that carry the chain should be cleaned before storing the tool or if the bar or chain appear to be dirty.

The rails should be cleaned every time the chain is removed.

Turn the bar over, top rail becoming bottom and bottom rail becoming top, around every 5 hours of use.

**To clean the Bar rails:**



**N**

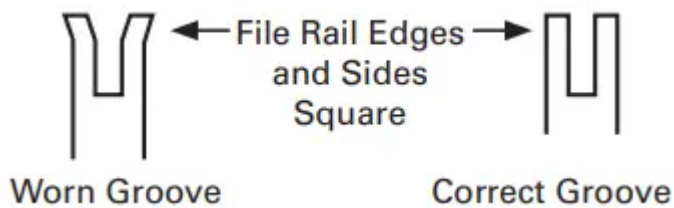
1. Remove chain cover and bar and chain. (see section ASSEMBLY)
2. Using a wire brush, screwdriver or similar tool, clear the residue from the inner groove of the bar (See Fig. N).
3. Make sure to clean oil passages thoroughly

**Conditions which require Guide Bar(9) maintenance:**

- Saw cuts to one side or at an angle.
- Saw has to be forced through the cut.
- Inadequate supply of oil to the bar and chain.

Check the condition of the guide bar each time the chain is sharpened. A worn guide bar will damage the chain and make cutting difficult. After each use, with unit disconnected from power source, clean all sawdust from the guide bar and sprocket hole.

When rail top is uneven, use a flat file to restore square edges and sides.



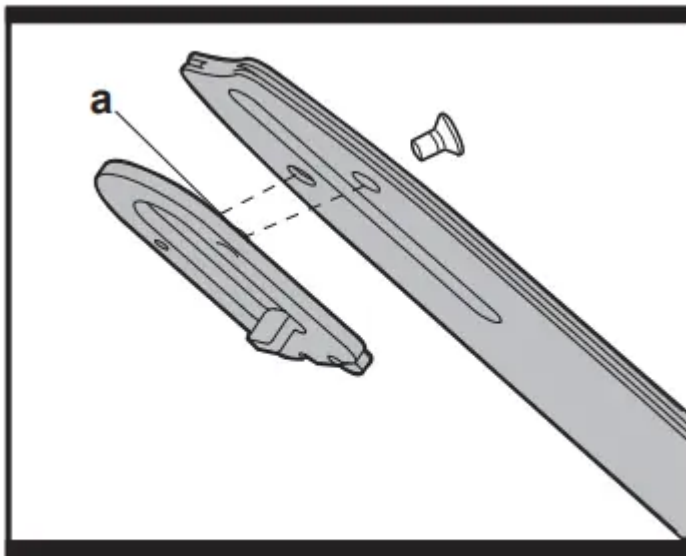
Replace the guide bar when the groove is worn, the guide bar is bent or cracked, or when excess heating or burring of the rails occurs. If replacement is necessary, use only the guide bar specified for your saw in the repair parts list or on the decal located on the chain saw.

## Replacing Bar & Chain

Replace chain when cutters are too worn to sharpen or when chain stops. Only use replacement chain noted in this manual. Always include new Drive Sprocket(15) when replacing chain. This will maintain proper driving of chain.

Inspect Guide Bar before sharpening chain. A worn or damaged Guide Bar is unsafe. A worn or damaged Guide Bar will damage chain. It will also make cutting harder.

Fit the Bar Tensioning Plate (22) catch into the new bar by tightening the screw clockwise. The catch protrude (a) must be fitted into the bar hole. (See Fig. O)



**O**

## SHARPENING SAW CHAIN



### WARNING:

- Unplug chain saw from power source before servicing. Severe injury or death could occur from electrical shock or body contact with moving chain.
- Cutting edges on chain are sharp. Use protective gloves when handling chain.

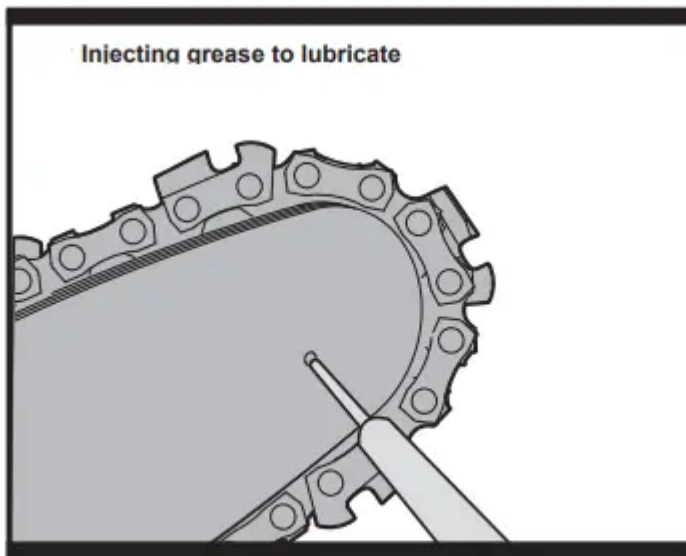
Keep chain sharp. Your saw will cut faster and more safely. A dull chain will cause undue sprocket, guide bar, chain, and motor wear. If you must force chain into wood and cutting creates only sawdust with few large chips, chain is dull.

## LUBRICATE SPROCKET



**WARNING:** Wear heavy duty gloves when performing any maintenance or service to this tool. Always unplug the tool before performing any service or maintenance on this tool.

**NOTE:** It is not necessary to remove the chain or bar when lubricating the sprocket



## **P**

1. Clean the bar and sprocket
2. Using a grease gun, insert the tip of the gun into the lubrication hole and inject grease until it appears at the outside edge of the sprocket tip (See Fig. P).
3. To rotate the sprocket release the chain stop and pull the chain by hand until the ungreased side of the sprocket is in line with the grease hole. Repeat the lubrication procedure.

## **TROUBLESHOOTING TABLE**

The following table gives checks and actions that you can perform if your machine does not operate correctly. If these do not identify/remedy the problem, contact your service agent.

**WARNING:** Switch off and remove plug from mains before investigating fault.

<b>Symptom</b>	<b>Possible Cause</b>	<b>Remedy</b>
Chain saw fails to operate	No power	Check power
	Mains socket faulty	Use another socket
	Extension cord damaged	Check cord, replace
	Fuse faulty	Replace fuse
Chain saw operates intermittently	Extension cord damaged	On/Off switch defective
	Loose connection	Contact service agent 1-866-354-WORX (9679)
	Internal wiring defective	Contact service agent 1-866-354-WORX (9679)
	On/Off switch defective	Contact service agent 1-866-354-WORX (9679)
Dry chain	No oil in reservoir	Refill oil
	Vent in oil filler cap clogged	Clean cap
	Oil passage clogged	Clean oil passage outlet
Chain/chain bar overheats	No oil in reservoir	Refill oil
	Vent in oil filler cap clogged	Clean cap
	Oil passage clogged	Clean oil passage outlet
	Chain is over tensioned	Adjust chain tension
	Dull chain	Sharpen chain or replace
Chain saw rips, vibrates, does not saw properly	Chain tension too loose	Adjust chain tension
	Dull chain	Sharpen chain or replace
	Chain worn out	Replace chain
	Chain teeth are facing in the wrong direction	Reassemble with chain in correct direction

**Warning**

This content is compiled from multiple sources and is provided for reference purposes only. It may not be complete or fully applicable to all situations. If you are unable to resolve your issue, please contact the product manufacturer or an authorized service provider for official support.

---

Document generated by [ManualsFile](#)